

Commercial 6 Ton 2-Speed Package Heat Pump

DCH0720103VHXJAA
DCH0720104VHBXAA
DCH0720203VHXDAA
DCH072XXX3V1DDAA
DCH072XXX3V2PDAA
DCH072XXX3VBXXAA
DCH072XXX3VVDDAA
DCH072XXX3VVXDAA
DCH072XXX3VXXXAA
DCH072XXX4VFXAA
DCH072XXX4VXXXAA
DCH072XXX7VXXXAA



This manual is to be used by qualified technicians only.

This manual replaces RP-D1093F.

Important Information

Index

Functional Parts List	3
Illustration and Parts	4 - 15

Views shown are for parts illustrations only, not servicing procedures

Text Codes:

AR - As Required

NA - Not Available

NS - Not Shown

00000000 - See Note

QTY - Quantity Example (QTY 3) (If Quantity not shown, Quantity = 1)

M - Model Example (M1) (If M Code not shown, then part is used on all Models)

Expanded Model Nomenclature:

Example M1 - Model#1 M2 - Model#2 M3 - Model#3

Daikin Company, L.P. is not responsible for personal injury or property damage resulting from improper service. Review all service information before beginning repairs.

Warranty service must be performed by an authorized technician, using authorized factory parts. If service is required after the warranty expires, Daikin Company, L.P. also recommends contacting an authorized technician and using authorized factory parts.

Daikin Company, L.P. reserves the right to discontinue, or change at any time, specifications or designs without notice or without incurring obligations.

For assistance within the U.S.A. contact:

Equipment Support
Daikin North America, LLC
19001 Kermier Road
Waller, Texas 77484
855-770-5678-Telephone
713-863-2382-Facsimile

For assistance outside the U.S.A. contact:

International Division
Daikin North America, LLC
19001 Kermier Road
Waller, Texas 77484
713-861-2500-Telephone
713-863-2382-Facsimile

Functional Parts

Part No: **Description:**

0130M00025	24V RELAY (M7, M8, M9, M11)
B1368056	BELT DRIVE BLOWER WHEEL
CAP100000370LA	CAPACITOR 10/370V (M1, M2, M3, M4, M5, M6, M7, M8, M10, M11, M12)
CAP050000440LA	CAPACITOR 5/440V (M9)
ZPS60K5ETFD130	COMP, 60900, 460/60/3 2 STAGE (M7, M8, M11)
ZPS60K5ETF5130	COMP, 61000, 200/230/60/3 2 ST (M1, M2, M3, M4, M5, M6, M10, M12)
ZPS60K5ETFE130	COMP, 61000, 575/60/3 2 STAGE (M9)
0131M00430	COND MOTOR 1/3 HP, 1 SP, 6 PL (M1, M2, M3, M4, M5, M6, M10, M12)
CONT2P040024V	CONT, 2 POLE, 40 AMP, 24 VAC (M1, M7)
CONT3P025024V	CONTACTOR 25 AMP, 3P, 24V (M7, M8, M9, M11)
CONT3P030024V	CONTACTOR 30 AMP, 3P, 24V (M1, M2, M3, M4, M5, M6, M10, M12)
0130M00101	CONTROL, DEFROST
0130L00019	CRANK CASE HEATER, 70W, 575V (M9)
0130L00017	CRANK CASE HEATER-70W 240V (M1, M2, M3, M4, M5, M6, M10, M12)
0130L00018	CRANK CASE HEATER-70W, 480V (M7, M8, M11)
0130M00074	CUT-OUT SWITCH, HIGH PRESSURE
0130M00075	CUT-OUT SWITCH, LOW PRESSURE
PCBDM133	DEFROST CONTROL BOARD
0130M00106	DISC THERMOSTAT CRNKCS HTR SW
0130L00112	Duct Temp Sensor (M1, M7)
PCBFM103	ELECTRONIC BLOWER TIME DELAY
0251L00000	EXPANSION VALVE ASSY
0164L00010	FAN BELT, NOTCHED
0150G00004	FAN BLADE (M9)
B1086765	FAN BLADE TYPE 3 (M1, M2, M3, M4, M5, M6, M7, M8, M10, M11, M12)
0131L00041	MOTOR 2 HP BELT DRIVE 208-230V (M1, M2, M3, M4, M5, M6, M10, M12)
0131L00043	MOTOR 2HP BELT DRIVE 460V (M7, M8, M11)
0131L00042	MOTOR 2HP BELT DRIVE 575V (M9)
0131M00858	MOTOR, 1/3 HP, OD (M9)
0131M00774	MOTOR, 1/3 HP, OD (M7, M8, M11)
0130L00108	OD Air Temp Sensor (M1, M7)
PCBCG103	PCB, CONTROL, HP, GAS ,AC (M1, M7)
10135604	RELAY (QTY 5)
0151R00071	REVERSING VALVE
B1225022	SOLENOID COIL
0130M00275	TERMINAL BOARD (M1, M7)
0130M00240	TERMINAL BOARD
0130M00274	TERMINAL BOARD (M1, M7)
0130M00594	TRANSFORMER (M1, M2, M3, M4, M5, M6, M10, M12)
0130M00595	TRANSFORMER, 75VA, 480V TO 24V (M7, M8, M11)
0130M00598	TRANSFORMER, 75VA, 575V TO 24V (M9)

Expanded Model Nomenclature

M1 - DCH072XXX3VBXXAA
M2 - DCH072XXX3VVDDAA
M3 - DCH072XXX3VVXDAA
M4 - DCH072XXX3VXXXAA
M5 - DCH072XXX3V1DDAA
M6 - DCH072XXX3V2PDAA
M7 - DCH072XXX4VFXAA
M8 - DCH072XXX4VXXXAA
M9 - DCH072XXX7VXXXAA
M10 - DCH0720103VHXJAA
M11 - DCH0720104VHXBAA
M12 - DCH0720203VHXDAA

Top Panel and Tubing Assembly

IMAGE 1

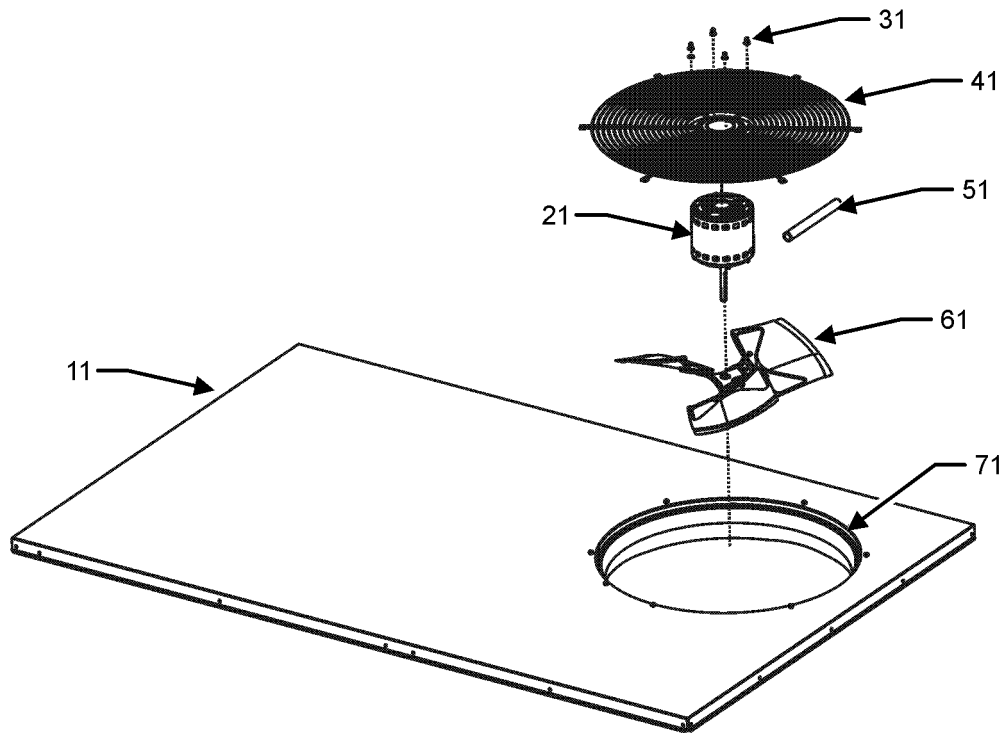
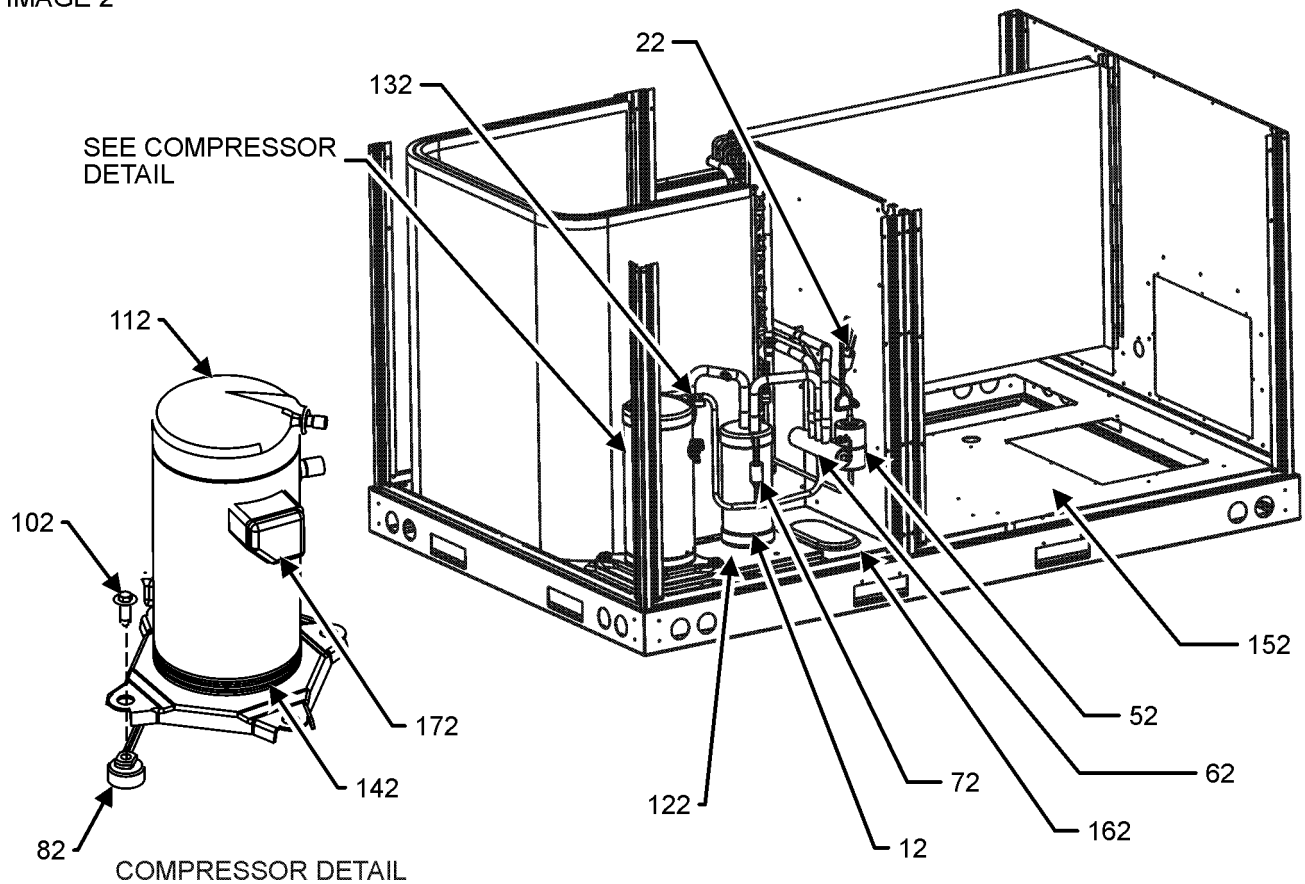


IMAGE 2



Top Panel and Tubing Assembly

Ref. Part No: No:	Description:	Ref. Part No: No:	Description:
-------------------	--------------	-------------------	--------------

Image 1:

11	0121L00235NG	TOP PANEL
21	0131M00430	COND MOTOR 1/3 HP, 1 SP, 6 PL (M1, M2, M3, M4, M5, M6, M10, M12)
21	0131M00774	MOTOR, 1/3 HP, OD (M7, M8, M11)
21	0131M00858	MOTOR, 1/3 HP, OD (M9)
31	0163M00006P	ACORN NUT 5/16 HEX BLACK (QTY 4)
41	0152G00003	FAN GRILLE
51	0161R00003P	CONDUIT
61	0150G00004	FAN BLADE (M9)
61	B1086765	FAN BLADE TYPE 3 (M1, M2, M3, M4, M5, M6, M7, M8, M10, M11, M12)
71	0161L00000	VENTURI RING 22"
NS	0163M00004	SCREW #10X3/4", BLACK (QTY 3)
NS	0163M00005P	WASHER, BLACK (.50 OD .218ID) (QTY 4)

Image 2:

12	B1226207	ACCUMULATOR .875
22	0130M00075	CUT-OUT SWITCH, LOW PRESSURE
52	20485201	BI-FLOW FILTER DRIER
62	0151R00071	REVERSING VALVE
72	0130M00074	CUT-OUT SWITCH, HIGH PRESSURE
82	B1339533	COMPRESSOR GROMMET (QTY 4)
102	M0221641	TF SHOULDER SCREW (QTY 4)
112	ZPS60K5ETFD130	COMP, 60900, 460/60/3 2 STAGE (M7, M8, M11)
112	ZPS60K5ETF5130	COMP, 61000, 200/230/60/3 2 ST (M1, M2, M3, M4, M5, M6, M10, M12)
112	ZPS60K5ETFE130	COMP, 61000, 575/60/3 2 STAGE (M9)
122	0121L01308	MOUNTING PLATE-COMPRESSOR
132	0130M00106	DISC THERMOSTAT CRNKCS HTR SW
142	0130L00019	CRANK CASE HEATER, 70W, 575V (M9)
142	0130L00017	CRANK CASE HEATER-70W 240V (M1, M2, M3, M4, M5, M6, M10, M12)
142	0130L00018	CRANK CASE HEATER-70W, 480V (M7, M8, M11)
152	0121L02619	BASE PAN, INDOOR
162	0121L01990	BASE PAN, OUTDOOR
172	0159L00065	COMPRESSOR SCROLL HARNESS
NS	B1373315	ACCESS FITTING (QTY 2)
NS	0159G00010	CABLE, COMPR SOL
NS	0163M00175	CAP WITH O-RING (QTY 2)
NS	B1225022	SOLENOID COIL

Expanded Model Nomenclature

M1 - DCH072XXX3VBXXAA
M2 - DCH072XXX3VDDAA
M3 - DCH072XXX3VVDAA
M4 - DCH072XXX3VXXXAA
M5 - DCH072XXX3V1DDAA
M6 - DCH072XXX3V2PDAA
M7 - DCH072XXX4VFXXAA
M8 - DCH072XXX4VXXXAA
M9 - DCH072XXX7VXXXAA
M10 - DCH0720103VHXJAA
M11 - DCH0720104VHBXAA
M12 - DCH0720203VHXDAA

Cabinet Assembly

IMAGE 1

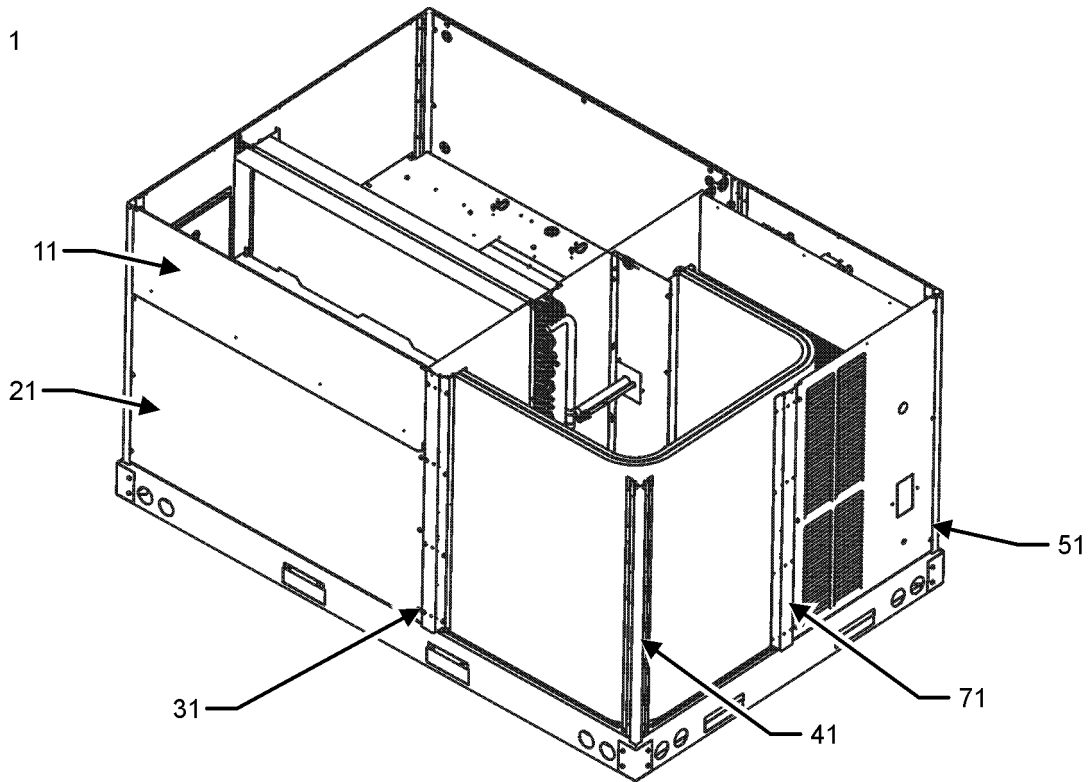
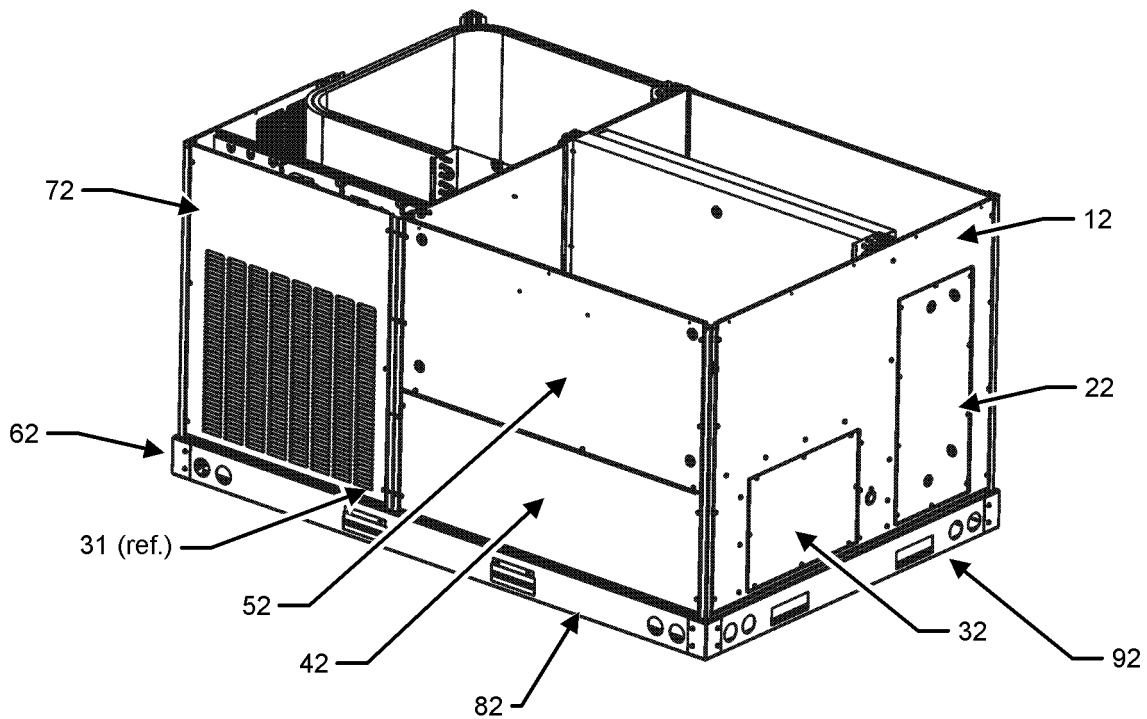


IMAGE 2



Cabinet Assembly

Ref. Part No:	Part No:	Description:	Ref. Part No:	Part No:	Description:
---------------	----------	--------------	---------------	----------	--------------

Image 1:

11	0270L00363NG	FILTER DOOR			
21	0121L00976NG	ECONOMIZER DOOR (M1, M2, M3, M4, M5, M6, M8, M9, M10, M11, M12)			
31	0121L00343RFNG	POST-SIDE RF PAINTED (QTY 2)			
41	0121L00344RFNG	CORNER POST (QTY 4)			
41	0121L02554RFNG	PNT, CORNER POST (M2, M5, M6)			
51	0121L00354NG	LOUVERED COMPRESSOR PANEL (M1, M2, M3, M4, M6, M7, M8, M9, M10, M12)			
51	0121L00840NG	PNT, COMP LOUVER DISC PNL (M5, M10, M11, M12)			
71	0121L01169RFNG	POST-SIDE RF PAINTED (M1, M3, M4, M7, M8, M9, M10, M11, M12)			
71	0121L01382RFNG	SIDE POST (M2, M5, M6)			
NS	0121L01309	ECONOMIZER COVER (M7)			
NS	0164L00009	GASKET-RUBBER, CPOST (QTY 3)			
NS	0164L00011	GASKET-RUBBER, SIDE POST (QTY 2)			

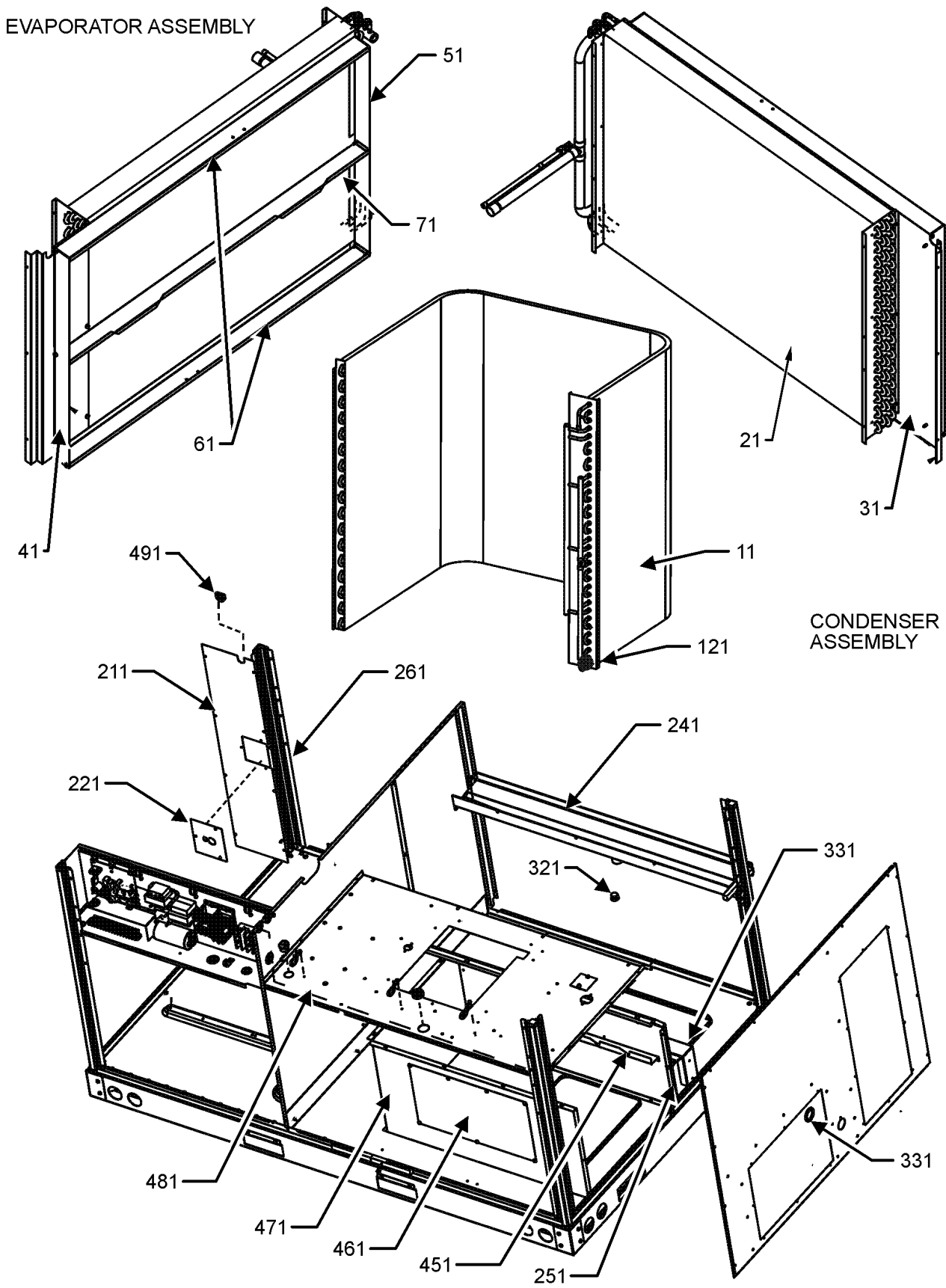
Image 2:

12	0121L00342NG	DUCT PANEL			
22	0121L00023NG	RETURN DUCT COVER			
32	0121L00024NG	SUPPLY DUCT COVER			
42	0121L01176NG	ELECTRIC HEAT DOOR			
52	0121L01172NG	BLOWER DOOR			
62	0121G00301	RAIL CORNER BRACKET (QTY 4)			
72	0121L01170NG	LOUVERED CONTROL PANEL (M1, M3, M4, M7, M8, M9, M10, M11, M12)			
72	0121L02552NG	PNT, CONTROL DOOR (M2, M5, M6)			
82	0121L00244RF	RAIL-SIDE (QTY 2)			
92	0121L00245	RAIL-END			
NS	0141L00003X	FORK BOARD (QTY 2)			
NS	0121L00055	FORK BOARD BRACKET (QTY 4)			
NS	0121L02655	RAIL-END			

Expanded Model Nomenclature

M1 - DCH072XXX3VBXXAA
M2 - DCH072XXX3VDDAA
M3 - DCH072XXX3VXDAA
M4 - DCH072XXX3VXXXAA
M5 - DCH072XXX3V1DDAA
M6 - DCH072XXX3V2PDAA
M7 - DCH072XXX4VFXAA
M8 - DCH072XXX4VXXXAA
M9 - DCH072XXX7VXXXAA
M10 - DCH0720103VHXJAA
M11 - DCH0720104VHBXAA
M12 - DCH0720203VHXDAA

Condenser/Evaporator/Partition Assembly



Condenser/Evaporator/Partition Assembly

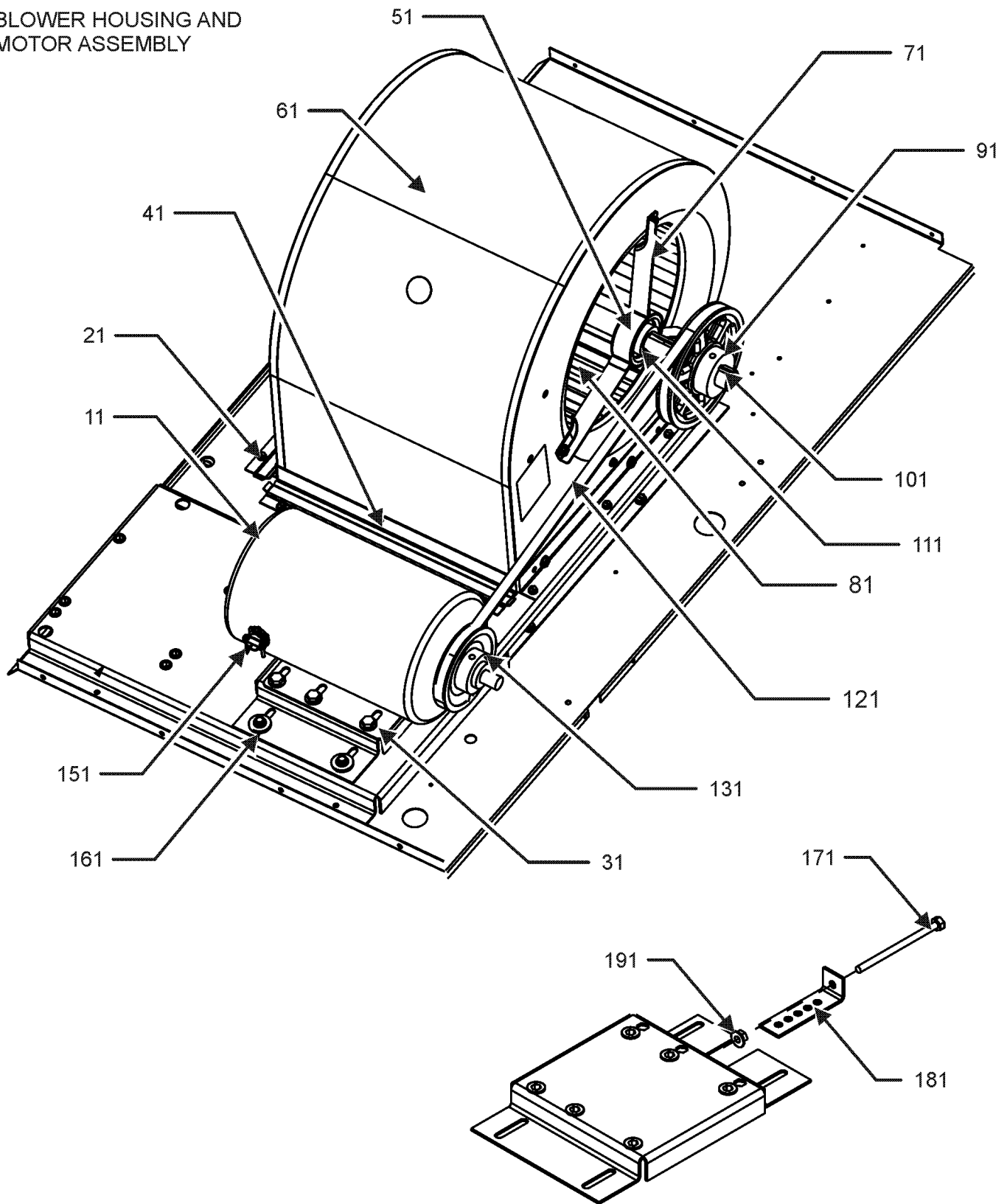
Ref. Part No:	Part No:	Description:	Ref. Part No:	Part No:	Description:
Image 1:					
11	0201L00053	TUBING ASSY, COND COIL			
21	0202L00146	EVAP COIL ASSY			
31	0121L00345	BLOCKOFF-EVAPORATOR (M1, M4, M7, M8, M9, M11, M12)			
31	0121L00398	BLOCKOFF-EVAPORATOR (M2, M3, M5, M6, M10, M12)			
41	0121L00358	FILTER ANGLE-VERTICAL (HAIRPIN SIDE)			
51	0121L00357	FILTER ANGLE-VERTICAL (RETURN SIDE)			
61	0121L00932	FILTER ANGLE-HORIZONTAL (QTY 2)			
71	0121L01255	ANGLE-FILTER CENTER			
121	0130M00101	CONTROL, DEFROST			
211	0121L00348	COND BLOCK-OFF			
221	0121L00939	CONDENSER BLOCKOFF PLATE			
231	0121L00238	DRAIN PAN SUPPORT			
241	0161L00005	DRAIN PAN			
251	0121L02123	CHANNEL-DECK SIDE			
261	0121L00349	COND MOUNTING ANGLE			
321	0163L00071	DRAIN PLUG			
331	0154L00009	DRAIN PAN GASKET			
451	0121L00288	ELECTRIC HEAT RETAINER			
461	0121L00144	ELECTRIC HEAT COVER			
471	0121L00256	ELECTRIC HEAT PANEL			
481	0121L03396	DECK-BLOWER			
491	A4568804	GROMMET-D (QTY 4)			
NS	0160L00174	AIR FILTER 16 X 20 X 2 (QTY 4)			
NS	0121L01377	DECK SUPPORT - BLOWER (M2, M5, M6)			
NS	0251L00000	EXPANSION VALVE ASSY			
NS	0121L00321	SMOKE DETECTOR COVER			

Expanded Model Nomenclature

M1 - DCH072XXX3VBXXAA
M2 - DCH072XXX3VDDAA
M3 - DCH072XXX3VVDAA
M4 - DCH072XXX3VXXXAA
M5 - DCH072XXX3V1DDAA
M6 - DCH072XXX3V2PDAA
M7 - DCH072XXX4VFXAA
M8 - DCH072XXX4VXXXAA
M9 - DCH072XXX7VXXXAA
M10 - DCH0720103VHXJAA
M11 - DCH0720104VHBXAA
M12 - DCH0720203VHXDAA

Belt Drive Blower Assembly

BLOWER HOUSING AND
MOTOR ASSEMBLY



MOTOR MOUNTING PLATE ASSEMBLY

Belt Drive Blower Assembly

Ref. Part No:	Part No:	Description:	Ref. Part No:	Part No:	Description:
---------------	----------	--------------	---------------	----------	--------------

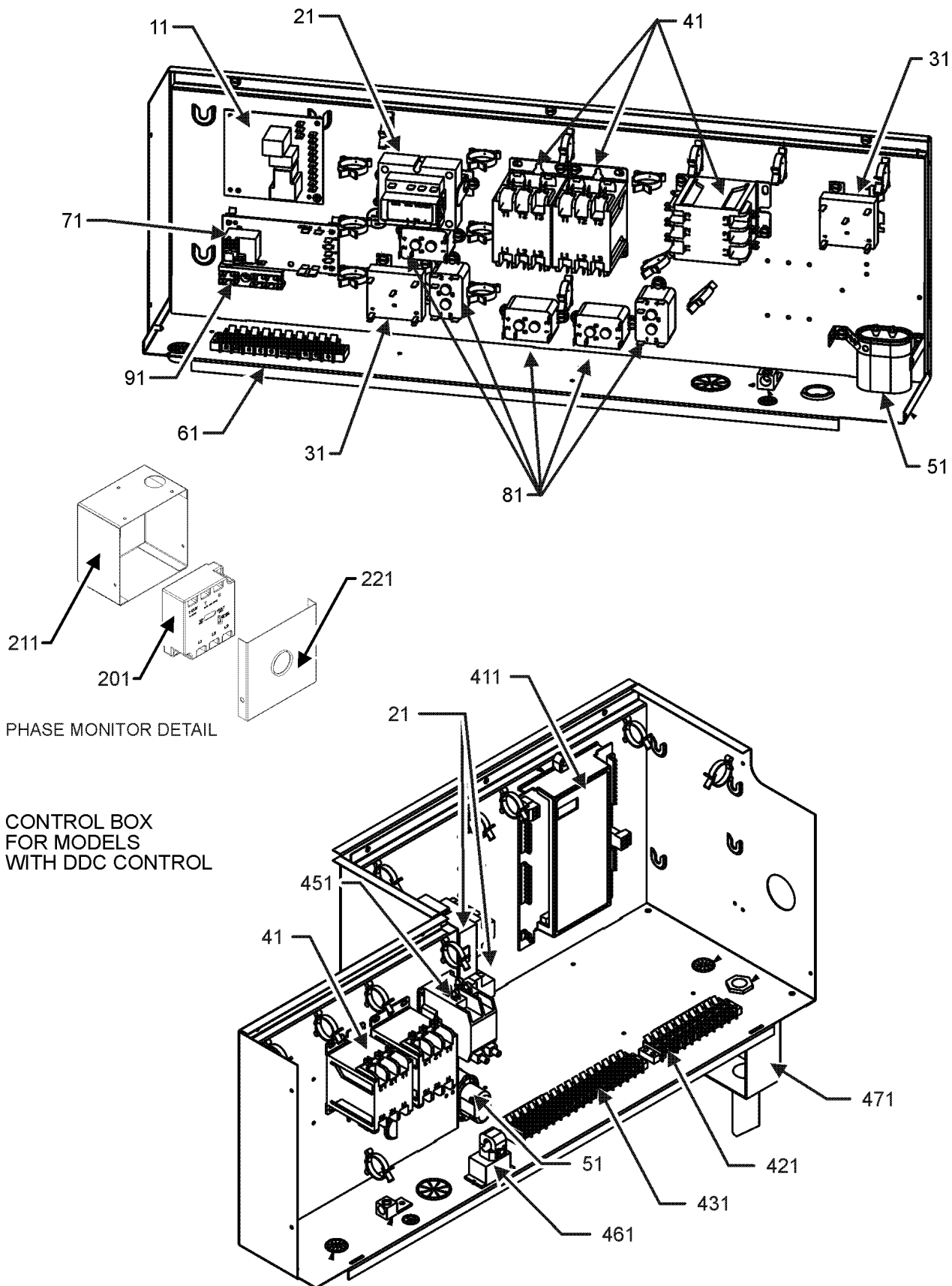
Image 1:

11	0131L00041	MOTOR 2 HP BELT DRIVE 208-230V (M1, M2, M3, M4, M5, M6, M10, M12)
11	0131L00043	MOTOR 2HP BELT DRIVE 460V (M7, M8, M11)
11	0131L00042	MOTOR 2HP BELT DRIVE 575V (M9)
21	0121L00297	BLOWER SIDE ANGLE (QTY 3)
31	0121L01619	MOTOR BASE
41	0121L00281	BLOWER MOUNTING ANGLE
51	0163L00005	BELT DRIVE BLOWER SHAFT
61	2539302F	BLOWER HOUSING 11 X 10
71	B3201300	MOUNTING BRACKET BEARING (QTY 2)
81	B1368056	BELT DRIVE BLOWER WHEEL
91	0163L00136	SHEAVE, FIXED AK59H
101	0163M00407	MACHINE KEY, SPECIAL
111	0163L00247	BEARING, BALL, MOUNTED (QTY 2)
121	0164L00010	FAN BELT, NOTCHED
131	B2120014	VARIABLE PITCH SHEAVE 1VL44 X 7/8"
151	B1393726	ELECT. CONNECTING BUSHING
161	B1393738	BOLT 1/4-20 X 3/4" (QTY 8)
171	0163M00045	BOLT 1/4-20 X 4"
181	3225000F	BELT TIGHTENER ANGLE
191	B1393023	NUT / LOCK .25-20
NS	1864703	BLOWER CUT-OFF ASM,5TON,MORRIS
NS	B1398603	STEEL KEY (000158812) 4.5"

Expanded Model Nomenclature

- | |
|------------------------|
| M1 - DCH072XXX3VBXXAA |
| M2 - DCH072XXX3VDDAA |
| M3 - DCH072XXX3VXDAA |
| M4 - DCH072XXX3VXXXAA |
| M5 - DCH072XXX3V1DDAA |
| M6 - DCH072XXX3V2PDAA |
| M7 - DCH072XXX4VFXAA |
| M8 - DCH072XXX4VXXXAA |
| M9 - DCH072XXX7VXXXAA |
| M10 - DCH0720103VHXJAA |
| M11 - DCH0720104VHBXAA |
| M12 - DCH0720203VHXDAA |

Control Box Assembly



Control Box Assembly

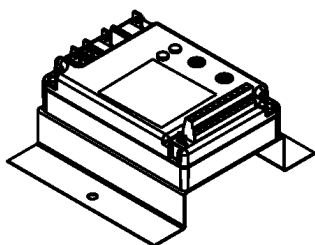
Ref. Part No: No:	Description:	Ref. Part No: No:	Description:
Image 1:		Expanded Model Nomenclature	
11	PCBDM133	M1	DCH072XXX3VBXXAA
21	0130M00594	M2	DCH072XXX3VDDAA
		M3	DCH072XXX3VVXDAA
21	0130M00595	M4	DCH072XXX3VXXXAA
21	0130M00598	M5	DCH072XXX3V1DDAA
31	0130M00025	M6	DCH072XXX3V2PDAA
41	CONT3P025024V	M7	DCH072XXX4VFXAA
41	CONT3P030024V	M8	DCH072XXX4VXXXAA
		M9	DCH072XXX7VXXXAA
51	CAP100000370LA	M10	DCH0720103VHXJAA
		M11	DCH0720104VHBXAA
		M12	DCH0720203VHXDAA
51	CAP050000440LA		
61	0130M00240		
71	PCBFM103		
81	10135604		
91	802007090		
201	0130L00105		
211	0121L01468		
221	0121L01467		
411	PCBCG103		
421	0130M00274		
431	0130M00275		
451	CONT2P040024V		
461	0259L00368		
471	0130L00108		
NS	B821700		
NS	20520901		
NS	0130L00112		
NS	0259L00354		
NS	0259L00360		
NS	0259L00362		
NS	0259L00363		
NS	0259L00357		
NS	0259L00355		
NS	0259L00356		
NS	0259L00358		
NS	0259L00359		
NS	0259L00364		
NS	0259L00361		
NS	0259L00235		
NS	0259L00322		
NS	0259L00366		
NS	0259L00321		
NS	0259L00367		
NS	0259L00323		
NS	0259L00335		
NS	0259L00054		
NS	0259L00427		
NS	0259L00428		
NS	0259L00090		
NS	0259L00054		

Accessory List

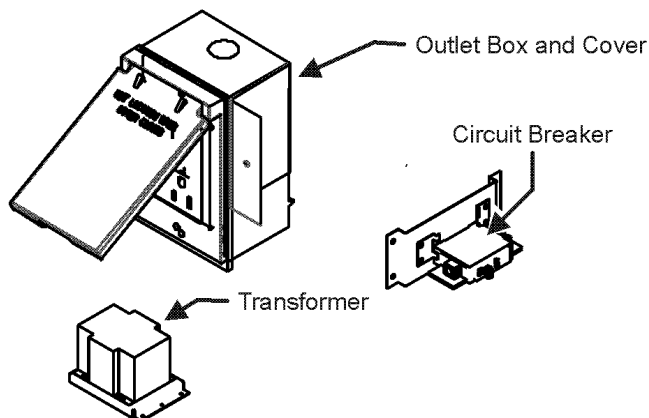
ACCESSORY PARTS LIST

NOTE: NOT ALL OPTIONS AVAILABLE FOR ALL PRODUCTS

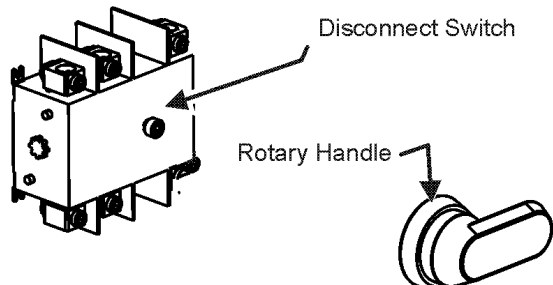
1 LOW AMBIENT KITS



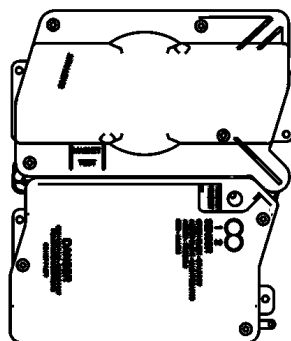
2 GFCI CONVENIENCE OUTLET



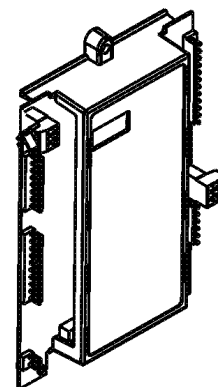
3 DISCONNECT MODULE (NON-FUSED)



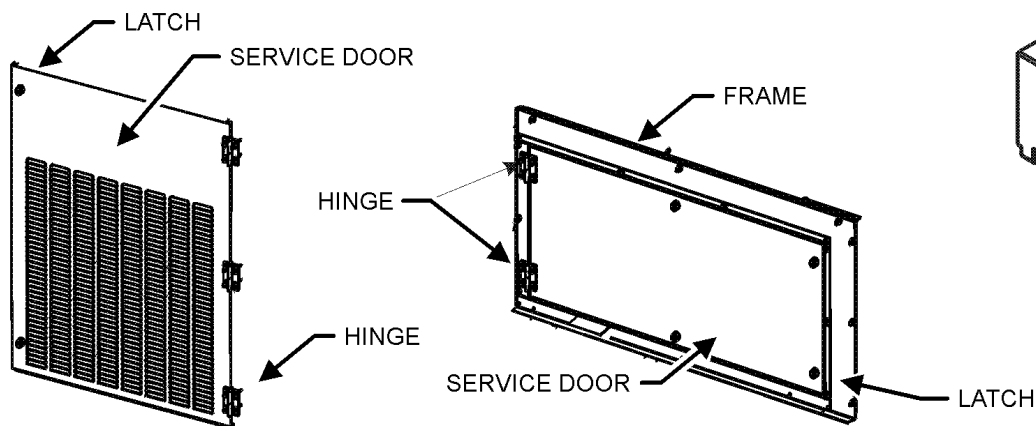
4 SMOKE DETECTORS



5 DDC CONTROL



6 HINGED DOOR ASSEMBLIES



7 PHASE MONITOR



Accessory List

Ref. Part No:	Ref. Part No:	Description:	Description:
Image 1:			
NS EHK3-10		10 KW 203-230/3 ELECTRIC EHAT (M10)	
NS EHK4-10		10 KW 460/3 ELECTRIC HEAT (M11)	
NS EHK3-20		20 KW 208-230/3 ELECTRIC HEAT (M12)	
NS DDNECNJ3672C		3-6 TON DFLOW ECONOMIZER (M2, M3, M6)	
NS 10366D09C		3-6 TON DFLOW ECONOMIZER, DDC (M7)	
NS 0121L01934		BRACKET SMOKE DETECTOR (M2, M3, M5, M6, M12)	
NS 0121L00316		BRACKET-CONV OUTLET MOUNT (M10)	
NS 0121L00835		BRACKET-DISCONNECT SWITCH (M5, M10, M11, M12)	
NS 0121L00837NG		DISCONNECT COVER (M5, M10, M11, M12)	
NS 0130L00012		GANG BOX-GFCI OUTLET (M10)	
NS 0130L00039		HANDLE, ROTARY (M5, M10, M11, M12)	
NS 0163M00307		HINGE, LEFT HAND (M2, M5, M6)	
NS 0163M00308		HINGE, RIGHT HAND (M2, M5, M6)	
NS 0163M00360		LATCH (M2, M5, M6)	
NS 0121L02510NG		PNT, BLOWER DOOR FRAME (M2, M5, M6)	
NS 0161G00012		POWER OUTLET BOX (M10)	
NS 0130L00103		RECEPTACLE-GFCI OUTLET (M10)	
NS RS400		REMOTE SENSOR (M5, M6)	
NS SP400		SENSOR PACK (M5, M6)	
NS 0121L02529NG		SERVICE DOOR BACK , BLOWER (M2, M5, M6)	
NS 0121L02528NG		SERVICE DOOR FRONT, BLOWER (M2, M5, M6)	
NS 0130L00042		SHAFT, CUT (M5, M11)	
NS 0130L00049		SHAFT, DISCONNECT (M5, M10, M11, M12)	
NS D4120		SMOKE DETECTOR, PHOTO 4WIRE (M2, M3, M5, M6, M10, M12)	
NS D4S		SMOKE DETECTOR, SENSOR ONLY (M10)	
NS ECP400-5		SURVEYOR ECP (M5, M6)	
NS 0130L00027		SWITCH-DISCONNECT 100A (M10, M12)	
NS 0130L00046		SWITCH-DISCONNECT 60A (M5, M11)	

Expanded Model Nomenclature

M1 - DCH072XXX3VBXXAA
M2 - DCH072XXX3VDDAA
M3 - DCH072XXX3VVDAA
M4 - DCH072XXX3VXXXAA
M5 - DCH072XXX3V1DDAA
M6 - DCH072XXX3V2PDAA
M7 - DCH072XXX4VFXAA
M8 - DCH072XXX4VXXXAA
M9 - DCH072XXX7VXXXAA
M10 - DCH0720103VHXJAA
M11 - DCH0720104VHBXAA
M12 - DCH0720203VHXDAA