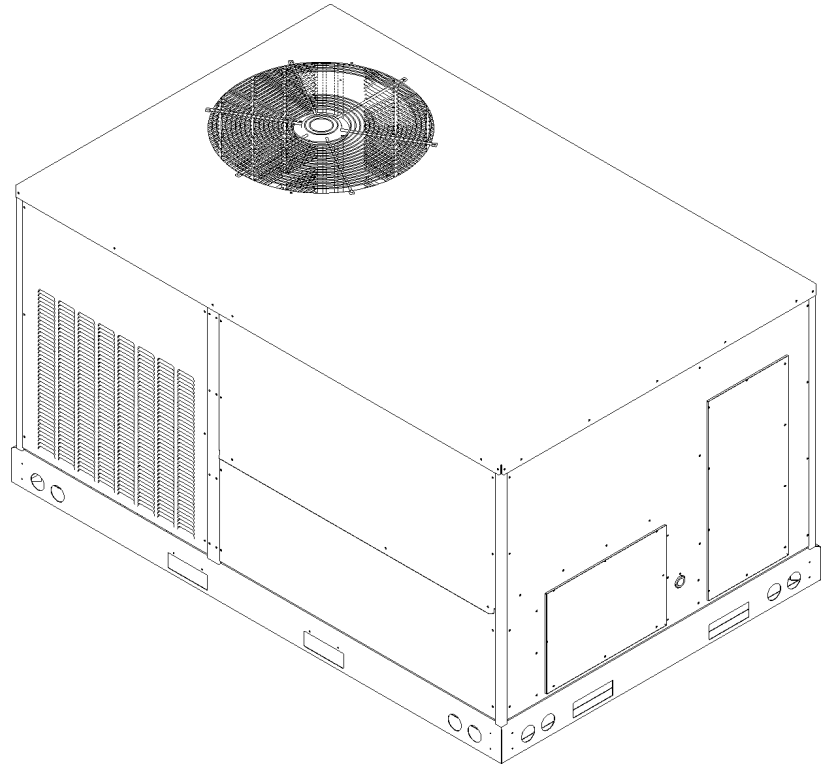


Commercial 5 Ton Direct Drive Package Heat Pump

DCH0600103DHXGAA
DCH0600153DAXNAB
DCH0600153DHXXAA
DCH060XXX1DXXXAA
DCH060XXX1DXXXAB
DCH060XXX3DXXXAA
DCH060XXX3DXXXAB
DCH060XXX6DXXXAB
DCH060XXX6DXXXAC



This manual is to be used by qualified technicians only.

This manual replaces RP-D1032D.

© 2017 - 2018 **DAIKIN COMPANY, L.P.** ♦ 5151 San Felipe St., Suite 500 ♦ Houston, TX 77056

Important Information

Index

Functional Parts List	3
Illustration and Parts	4 - 15

Views shown are for parts illustrations only, not servicing procedures.

Text Codes:

AR - As Required

NA - Not Available

NS - Not Shown

00000000 - See Note

QTY - Quantity Example (QTY 3) (If Quantity not shown, Quantity = 1)

M - Model Example (M1) (If M Code not shown, then part is used on all Models)

Expanded Model Nomenclature:

Example M1 - Model#1 M2 - Model#2 M3 - Model#3

Daikin Company, L.P. is not responsible for personal injury or property damage resulting from improper service. Review all service information before beginning repairs.

Warranty service must be performed by an authorized technician, using authorized factory parts. If service is required after the warranty expires, Daikin Company, L.P. also recommends contacting an authorized technician and using authorized factory parts.

Daikin Company, L.P. reserves the right to discontinue, or change at any time, specifications or designs without notice or without incurring obligations.

For assistance within the U.S.A. contact:

Equipment Support
Daikin North America, LLC
19001 Kermier Road
Waller, Texas 77484
855-770-5678-Telephone
713-863-2382-Facsimile

For assistance outside the U.S.A. contact:

International Division
Daikin North America, LLC
19001 Kermier Road
Waller, Texas 77484
713-861-2500-Telephone
713-863-2382-Facsimile

Functional Parts

Part

No: Description:

0130M00025	24V RELAY (M7)
0131M00521	BLOWER MOTOR 1 HP (M1, M2, M4, M7, M8, M9)
B1368000	BLOWER WHEEL 11 X 10
CAP050000370LA	CAPACITOR 5/370V (M3, M4, M7, M8, M9)
CAP050700440CT	CAPACITOR 5/70/440V/DUAL RD (M1, M2)
CAP075000370LA	CAPACITOR 7.5/370V (M5, M6)
ZP51K5EPFV130	COMPRESSOR 51000, 208/230/60/1 (M1, M2)
ZP51K5ETF5130	COMPRESSOR 51000, 208/230/60/3 (M3, M4, M7, M8, M9)
ZP51K5ETF7130	COMPRESSOR, COPELAND (M5, M6)
CONT3P025024V	CONTACTOR 25 AMP, 3P, 24V (M5, M6)
CONT3P030024V	CONTACTOR 30 AMP, 3P, 24V (M3, M4, M7, M8, M9)
CONT2P040024V	CONTACTOR 40 AMP, 2P, 24V (M1, M2)
0130M00101	CONTROL, DEFROST (M5, M6)
0130M00074	CUT-OUT SWITCH, HIGH PRESSURE (M1, M2, M3, M4, M5, M7, M8, M9)
0130M00412	CUT-OUT SWITCH, HIGH PRESSURE (M6)
0130M00075	CUT-OUT SWITCH, LOW PRESSURE
0130M00100	DEFROST CONTROL (M1, M2, M3, M4, M7, M8, M9)
PCBDM133	DEFROST CONTROL BOARD
0150G00004	FAN BLADE (M1, M2, M3, M4, M7, M8, M9)
0131M00847	MOTOR, 1/4 HP, 1 SP, 6 PL (M1, M2, M3, M4, M7, M8, M9)
0131M00713	MOTOR, HP SELECTECH (M5, M6)
0131M00815	MOTOR-1HP PROGRAMMED SELECTECH (M3)
0130L00105	PHASE MONITOR (M6)
0151R00071	REVERSING VALVE
B1225022	SOLENOID
0130M00038	TERMINAL BOARD
0130M00144	TRANSFORMER (M2, M4, M8)
0130M00138	TRANSFORMER 208/230, 24V (M1, M3, M7, M9)
0130M00081	TRANSFORMER, 380/415V-24V,75VA (M5, M6)

Expanded Model Nomenclature

M1 - DCH060XXX1DXXXAA
M2 - DCH060XXX1DXXXAB
M3 - DCH060XXX3DXXXAA
M4 - DCH060XXX3DXXXAB
M5 - DCH060XXX6DXXXAB
M6 - DCH060XXX6DXXXAC
M7 - DCH0600103DHXGAA
M8 - DCH0600153DAXNAB
M9 - DCH0600153DHXXAA

TOP PANEL AND TUBING ASSEMBLY

IMAGE 1

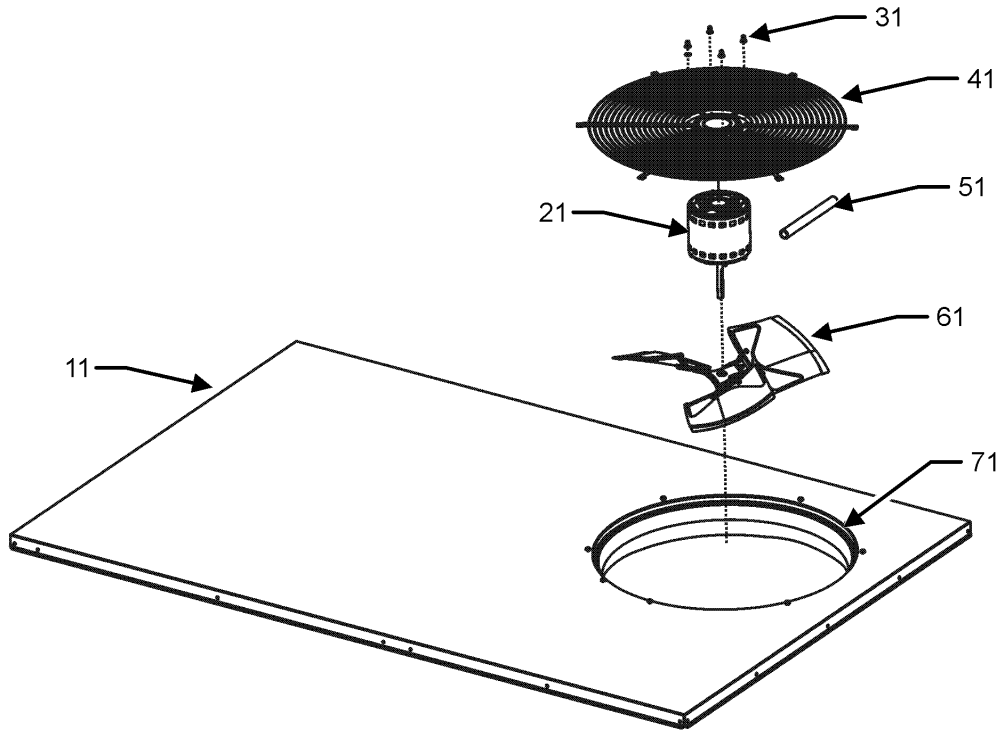
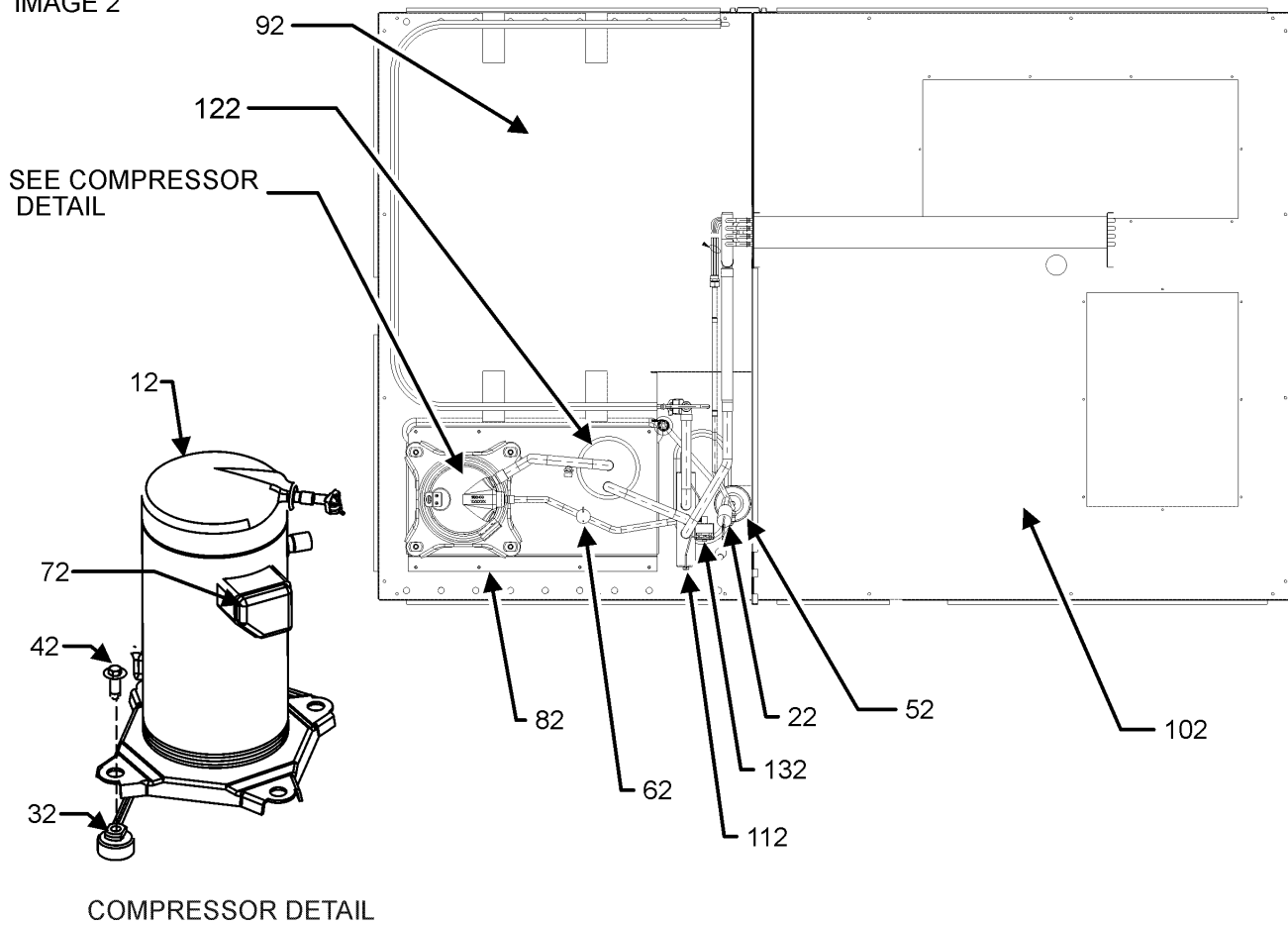


IMAGE 2



TOP PANEL AND TUBING ASSEMBLY

Ref. Part No:	Part No:	Description:	Ref. Part No:	Part No:	Description:
---------------	----------	--------------	---------------	----------	--------------

Image 1:

11	0121L00235NG	TOP PANEL
21	0131M00642	COND MOTOR 1/3 HP, 460V, 60 CYCLE (M5, M6)
21	0131M00847	MOTOR, 1/4 HP, 1 SP, 6 PL (M1, M2, M3, M4, M7, M8, M9)
31	0163M00006P	ACORN NUT 5/16 HEX BLACK (QTY 4)
41	0152G00003	FAN GRILLE
51	17788000083F	PVC CONDUIT 8.25"
61	0150G00004	FAN BLADE (M1, M2, M3, M4, M7, M8, M9)
61	B1086765	FAN BLADE TYPE 3 (M5, M6)
71	0161L00000	VENTURI RING 22"
NS	0163M00004	SCREW #10X3/4", BLACK (QTY 8)
NS	0163M00005P	WASHER, BLACK (.50 OD .218ID) (QTY 4)

Image 2:

12	ZP51K5EPFV130	COMPRESSOR 51000, 208/230/60/1 (M1, M2)
12	ZP51K5ETF5130	COMPRESSOR 51000, 208/230/60/3 (M3, M4, M7, M8, M9)
12	ZP51K5ETF7130	COMPRESSOR, COPELAND (M5, M6)
22	0130M00075	CUT-OUT SWITCH, LOW PRESSURE
32	B1339533	COMPRESSOR GROMMET (QTY 4)
42	M0221641	TF SHOULDER SCREW (QTY 4)
52	20485201	BI-FLOW FILTER DRIER (M5, M6)
52	B1219204	BI-FLOW FILTER DRIER (M1, M2, M3, M4, M7, M8, M9)
62	0130M00074	CUT-OUT SWITCH, HIGH PRESSURE (M1, M2, M3, M4, M5, M7, M8, M9)
62	0130M00412	CUT-OUT SWITCH, HIGH PRESSURE (M6)
72	0159L00027	COMPRESSOR SCROLL HARNESS (M1, M2)
72	0159L00065	COMPRESSOR SCROLL HARNESS (M3, M4, M5, M6, M7, M8, M9)
82	0121L01308	COMPRESSOR MOUNTING PLATE
92	0121L01990	BASE PAN, OUTDOOR
102	0121L02619	BASE PAN, INDOOR
112	0151R00071	REVERSING VALVE
122	B1226207	ACCUMULATOR .875
132	B1225022	SOLENOID
NS	B1373315	ACCESS FITTING (QTY 2)
NS	0141L00003X	FORK BOARD (QTY 2)
NS	0121L00055	FORK BOARD BRACKET (QTY 4)

Expanded Model Nomenclature

M1 - DCH060XXX1DXXXAA
M2 - DCH060XXX1DXXXAB
M3 - DCH060XXX3DXXXAA
M4 - DCH060XXX3DXXXAB
M5 - DCH060XXX6DXXXAB
M6 - DCH060XXX6DXXXAC
M7 - DCH0600103DHXGAA
M8 - DCH0600153DAXNAB
M9 - DCH0600153DHXXAA

CABINET ASSEMBLY

IMAGE 1

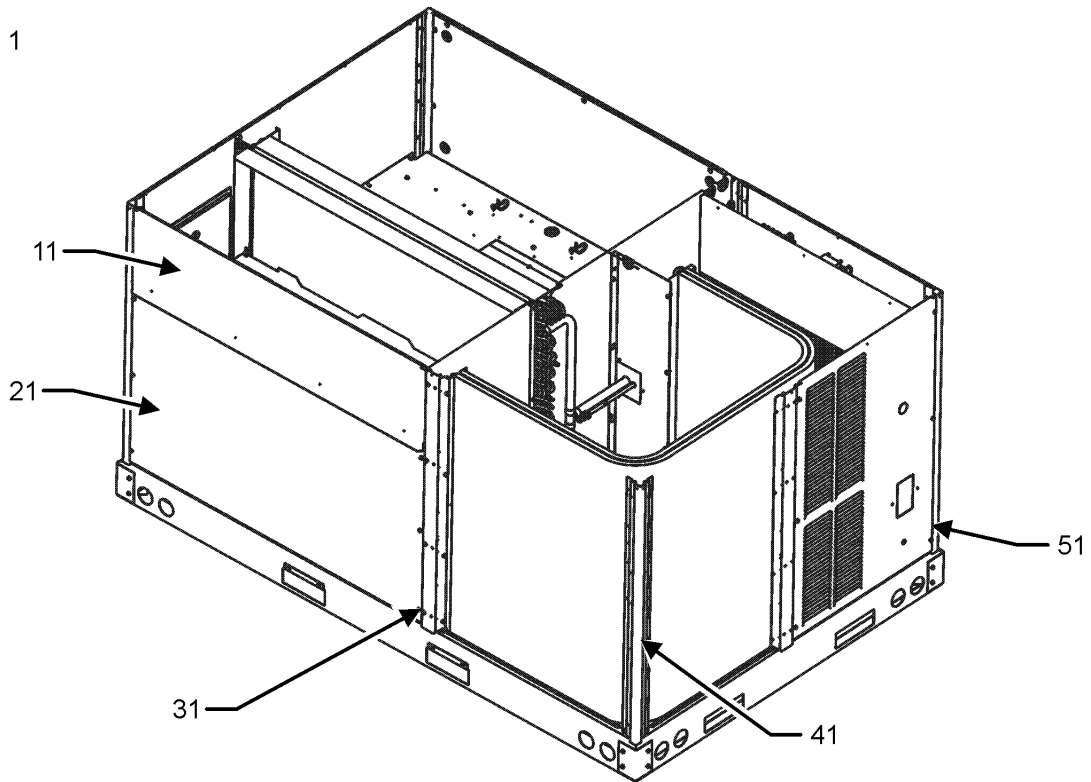
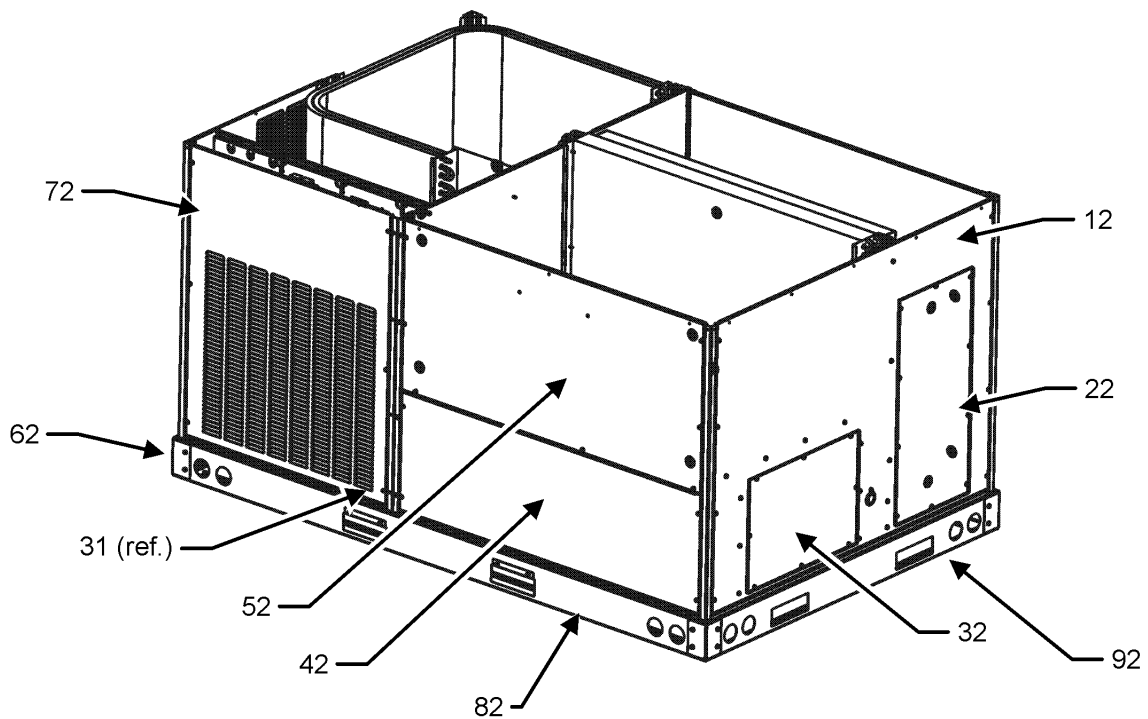


IMAGE 2



CABINET ASSEMBLY

Ref. Part No:	Part No:	Description:	Ref. Part No:	Part No:	Description:
---------------	----------	--------------	---------------	----------	--------------

Image 1:

11	0270L00362NG	FILTER DOOR (M1, M2, M3, M4, M7, M8, M9)
11	0270L00363NG	FILTER DOOR (M5, M6)
21	0121L00976NG	ECONOMIZER DOOR (M1, M2, M3, M4, M5, M6, M7, M9)
31	0121L00343RFNG	POST-SIDE RF PAINTED (M5, M6)
31	0121L00233RFNG	POST-SIDE SUPPORT (M1, M2, M3, M4, M7, M8, M9)
31	0121L01159RFNG	RF, Post-Side, Painted 3-5Ton (M2, M4, M8)
31	0121L01169RFNG	SIDE POST (M5, M6)
41	0121L00237RFNG	CORNER POST (M1, M2, M3, M4, M7, M8, M9)
41	0121L00344RFNG	CORNER POST (M5, M6)
51	0121L00263NG	LOUVERED COMPRESSOR PANEL (M1, M2, M3, M4, M8)
51	0121L00354NG	LOUVERED COMPRESSOR PANEL (M5, M6)
51	0121L00836NG	LOUVERED COMPRESSOR PANEL (M7, M9)
NS	0121L01309	ECONOMIZER COVER (M8)
NS	0164L00009	GASKET-RUBBER, CPOST (QTY 3)
NS	0164L00011	GASKET-RUBBER, SIDE POST (QTY 2)

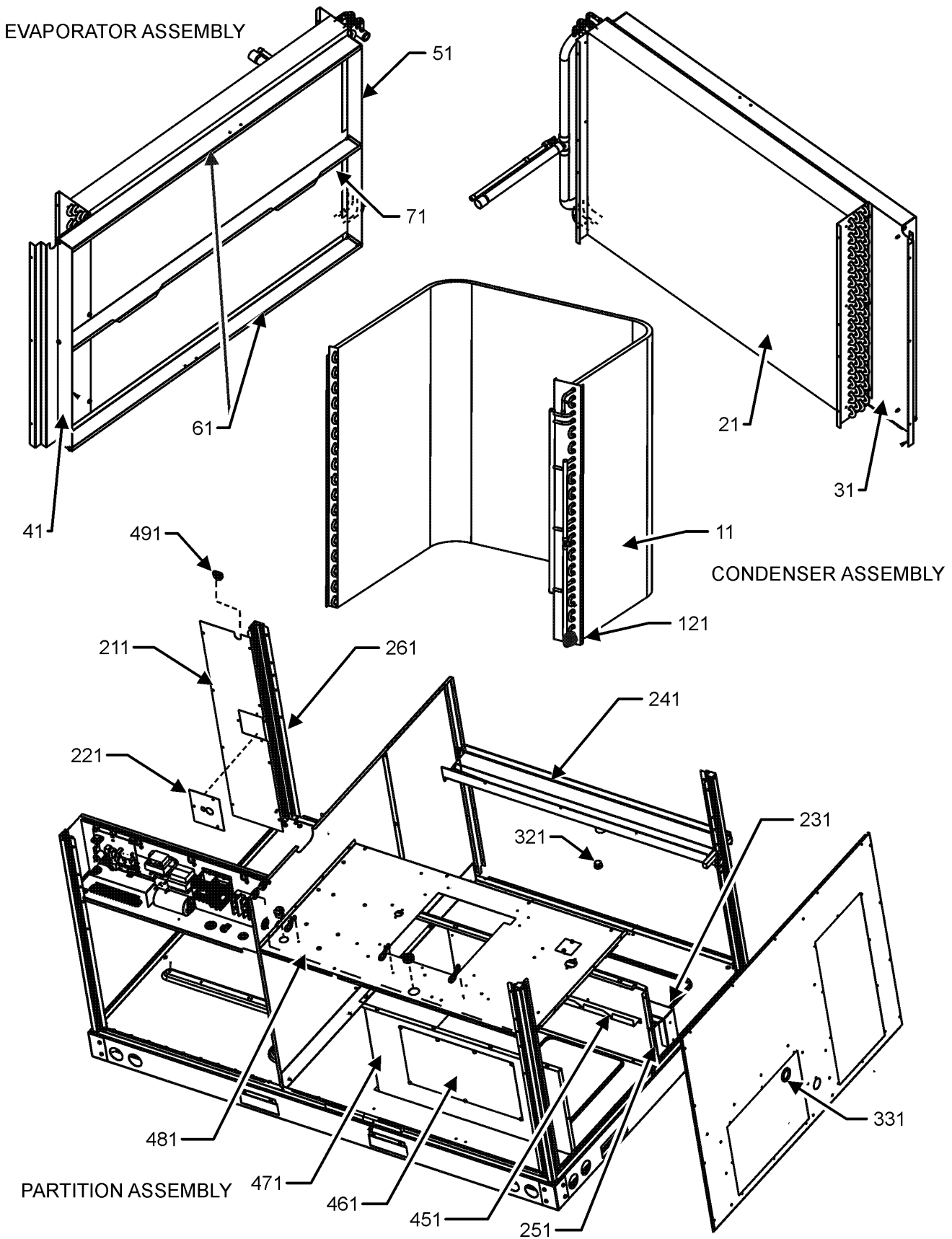
Image 2:

12	0121L00236NG	DUCT PANEL (M1, M2, M3, M4, M7, M8, M9)
12	0121L00342NG	DUCT PANEL (M5, M6)
22	0121L00023NG	RETURN DUCT COVER
32	0121L00024NG	SUPPLY DUCT COVER
42	0121L00279NG	ELECTRIC HEAT DOOR (M1, M3, M7, M9)
42	0121L01176NG	ELECTRIC HEAT DOOR (M2, M4, M5, M6, M8)
52	0121L00259NG	BLOWER DOOR (M1, M3, M7, M9)
52	0121L01157NG	BLOWER DOOR (M2, M4, M8)
52	0121L01172NG	BLOWER DOOR (M5, M6)
62	0121G00301	RAIL CORNER BRACKET (QTY 4)
72	0121L00262NG	LOUVERED CONTROL PANEL (M1, M3, M7, M9)
72	0121L01121NG	LOUVERED CONTROL PANEL (M2, M4, M8)
72	0121L01170NG	LOUVERED CONTROL PANEL (M5, M6)
82	0121L00244RF	SIDE RAIL (QTY 2)
92	0121L00245	END RAIL (QTY 2)

Expanded Model Nomenclature

M1 - DCH060XXX1DXXXAA
M2 - DCH060XXX1DXXXAB
M3 - DCH060XXX3DXXXAA
M4 - DCH060XXX3DXXXAB
M5 - DCH060XXX6DXXXAB
M6 - DCH060XXX6DXXXAC
M7 - DCH0600103DHXGAA
M8 - DCH0600153DAXNAB
M9 - DCH0600153DHXXAA

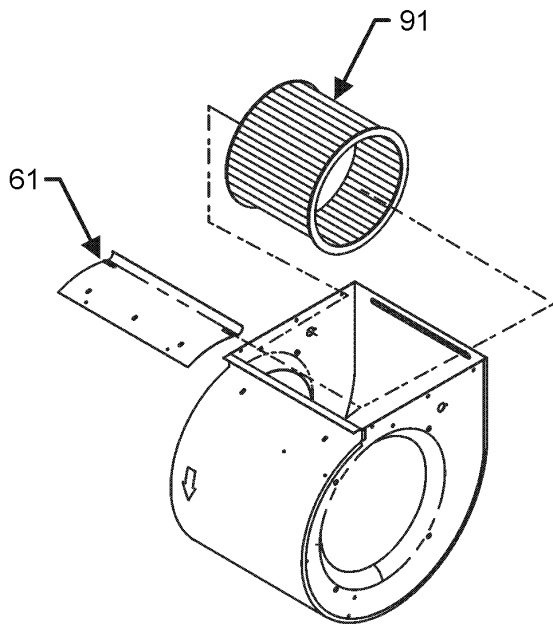
EVAPORATOR, CONDENSER AND PARTITION ASSY



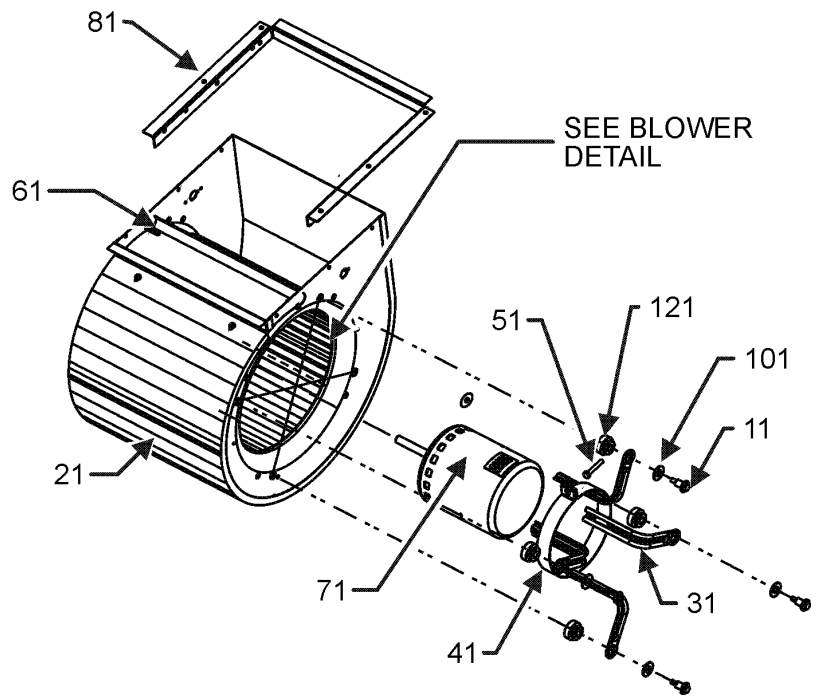
EVAPORATOR, CONDENSER AND PARTITION ASSY

Ref. Part No: No:	Description:	Ref. Part No: No:	Description:
Image 1:		Expanded Model Nomenclature	
11	0201L00039 TUBING ASSY, COND COIL (M1, M2, M3, M4, M7, M8, M9)	M1 - DCH060XXX1DXXXAA	
11	0201L00248 TUBING ASSY, COND COIL (M5, M6)	M2 - DCH060XXX1DXXXAB	
21	0202L00020 TUBING ASSY, EVAP COIL (M1, M2, M3, M4, M7, M8, M9)	M3 - DCH060XXX3DXXXAA	
21	0202L00137 TUBING ASSY, EVAP COIL (M5, M6)	M4 - DCH060XXX3DXXXAB	
31	0121L00252 BLOCKOFF-EVAPORATOR (M1, M2, M3, M4, M9)	M5 - DCH060XXX6DXXXAB	
31	0121L00337 BLOCKOFF-EVAPORATOR (M7, M8)	M6 - DCH060XXX6DXXXAC	
31	0121L00345 BLOCKOFF-EVAPORATOR (M5, M6)	M7 - DCH0600103DHXGAA	
41	0121L00303 FILTER ANGLE-VERTICAL (HAIRPIN SIDE) (M1, M2, M3, M4, M7, M8, M9)	M8 - DCH0600153DAXNAB	
41	0121L00358 FILTER ANGLE-VERTICAL (HAIRPIN SIDE) (M5, M6)	M9 - DCH0600153DHXXAA	
51	0121L00287 FILTER ANGLE-VERTICAL (RETURN SIDE) (M1, M2, M3, M4, M7, M8, M9)		
51	0121L00357 FILTER ANGLE-VERTICAL (RETURN SIDE) (M5, M6)		
61	0121L00932 FILTER ANGLE-HORIZONTAL (QTY 2)		
71	0121L01255 ANGLE-FILTER CENTER (M1, M2, M3, M4, M7, M8, M9)		
71	0121L00298 FILTER ANGLE-HORIZONTAL (CENTER) (M5, M6)		
121	0130M00101 CONTROL, DEFROST (M5, M6)		
121	0130M00100 DEFROST CONTROL (M1, M2, M3, M4, M7, M8, M9)		
211	0121L00311 COND BLOCK-OFF (M1, M2, M3, M4, M7, M8, M9)		
211	0121L00348 COND BLOCK-OFF (M5, M6)		
221	0121L00939 CONDENSER BLOCKOFF PLATE (M1, M2, M3, M4, M7, M8, M9)		
231	0121L00238 DRAIN PAN SUPPORT		
241	0161L00005 DRAIN PAN		
251	0121L02123 DECK SIDE CHANNEL		
261	0121L00254 COND MOUNTING ANGLE (M1, M2, M3, M4, M7, M8, M9)		
261	0121L00349 COND MOUNTING ANGLE (M5, M6)		
321	0163L00071 DRAIN PLUG		
331	0154L00009 DRAIN PAN GASKET		
451	0121L00288 ELECTRIC HEAT RETAINER		
461	0121L00144 ELECTRIC HEAT COVER		
471	0121L00256 ELECTRIC HEAT PANEL		
481	0121L01205 BLOWER DECK (M1, M3, M7, M9)		
481	0121L01575 BLOWER DECK (M2, M4, M5, M6, M8)		
491	A4568804 GROMMET-D (QTY 4)		
NS	0121L00321 SMOKE DETECTOR COVER		
Image 2:			
NS	0160L00173 AIR FILTER 14 X 20 X 2 (M1, M2, M3, M4, M7, M8, M9)		
NS	0160L00174 AIR FILTER 16 X 20 X 2 (M5, M6)		

BLOWER ASSEMBLY



BLOWER DETAIL



BLOWER ASSEMBLY

Ref. Part No:	Ref. Part No:	Description:	Description:
---------------	---------------	--------------	--------------

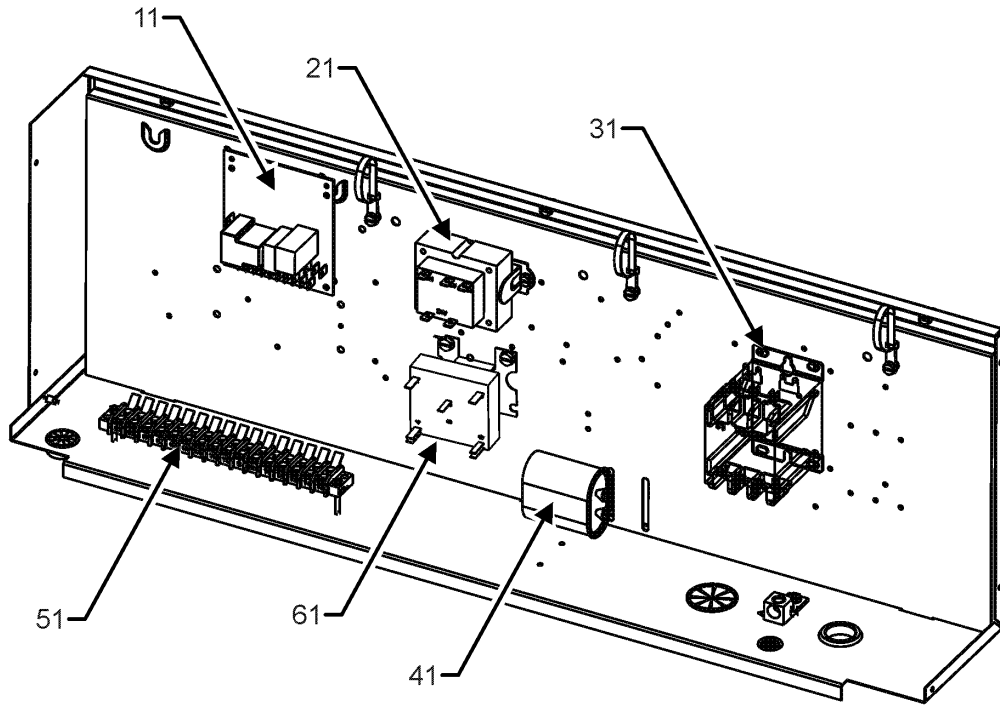
Image 1:

11	M0221461	TC SCREW (QTY 4)
21	11185811	BLOWER HOUSING 11 X 10
31	10441501	MOTOR MOUNT ARM (QTY 4)
41	10441601	MOTOR MOUNT BAND
51	M0267144	MACHINE SCREW
61	C6121807	BLOWER CUT-OFF
71	0131M00521	BLOWER MOTOR 1 HP (M1, M2, M4, M7, M8, M9)
71	0131M00713	MOTOR, HP SELECTECH (M5, M6)
71	0131M00815	MOTOR-1HP PROGRAMMED SELECTECH (M3)
81	0121L00281	BLOWER MOUNTING ANGLE
91	B1368000	BLOWER WHEEL 11 X 10
101	M0274008	WASHER, FLAT (QTY 4)
121	A4002702	BLOWER MOTOR GROMMET (QTY 4)
NS	M0282015	KEPS NUT

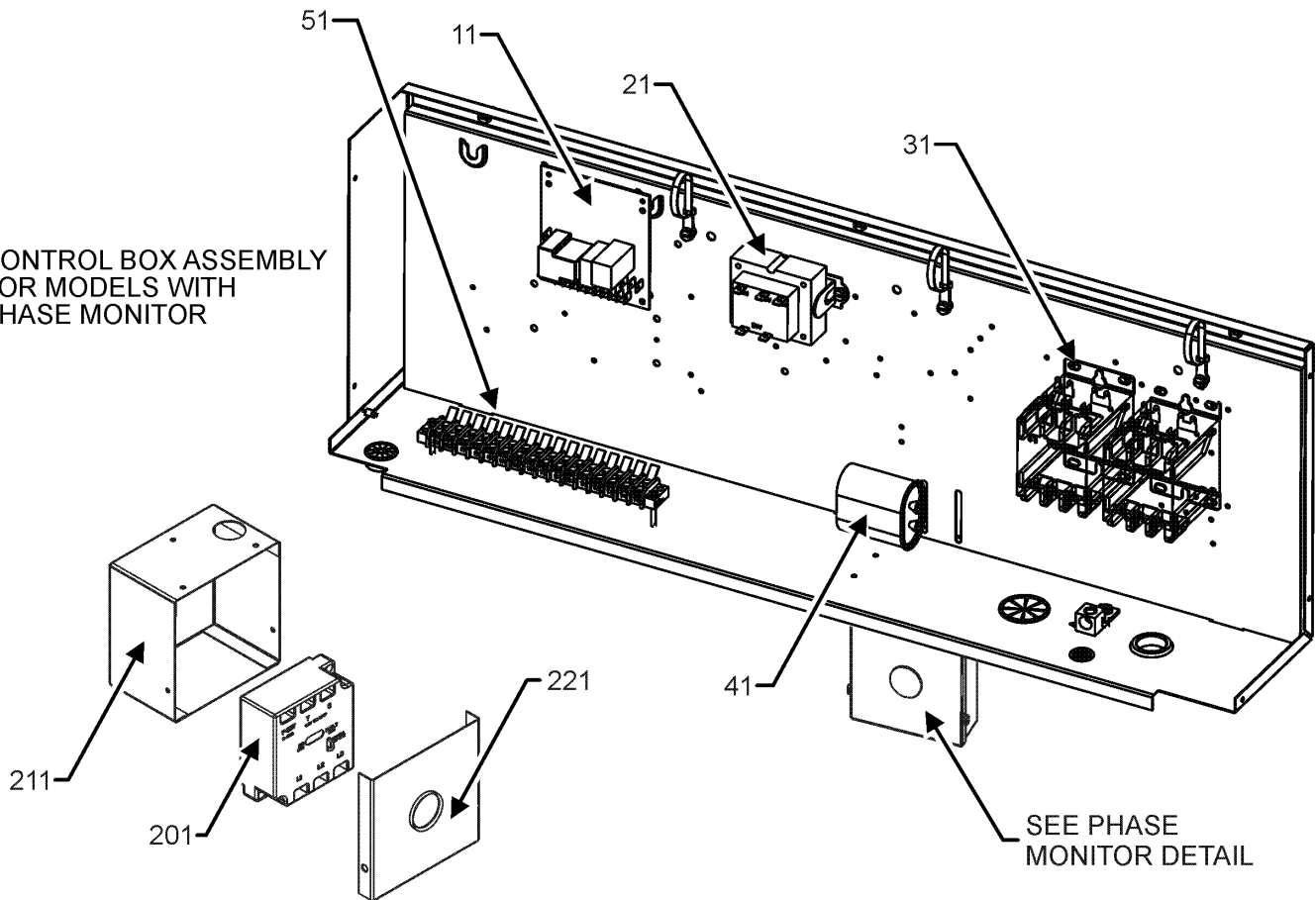
Expanded Model Nomenclature

- M1 - DCH060XXX1DXXXAA
- M2 - DCH060XXX1DXXXAB
- M3 - DCH060XXX3DXXXAA
- M4 - DCH060XXX3DXXXAB
- M5 - DCH060XXX6DXXXAB
- M6 - DCH060XXX6DXXXAC
- M7 - DCH0600103DHXGAA
- M8 - DCH0600153DAXNAB
- M9 - DCH0600153DHXXAA

CONTROL BOX ASSEMBLY



CONTROL BOX ASSEMBLY
FOR MODELS WITH
PHASE MONITOR



PHASE MONITOR DETAIL

CONTROL BOX ASSEMBLY

Ref. Part No:	Ref. Part No:	Description:	Description:
Image 1:			
11	PCBDM133	DEFROST CONTROL BOARD	
21	0130M00144	TRANSFORMER (M2, M4, M8)	
21	0130M00138	TRANSFORMER 208/230, 24V (M1, M3, M7, M9)	
21	0130M00081	TRANSFORMER, 380/415V-24V,75VA (M5, M6)	
31	CONT3P025024V	CONTACTOR 25 AMP, 3P, 24V (M5, M6)	
31	CONT3P030024V	CONTACTOR 30 AMP, 3P, 24V (M3, M4, M7, M8, M9)	
31	CONT2P040024V	CONTACTOR 40 AMP, 2P, 24V (M1, M2)	
41	CAP050000370LA	CAPACITOR 5/370V (M3, M4, M7, M8, M9)	
41	CAP050700440CT	CAPACITOR 5/70/440V/DUAL RD (M1, M2)	
41	CAP075000370LA	CAPACITOR 7.5/370V (M5, M6)	
51	0130M00038	TERMINAL BOARD	
61	0130M00025	24V RELAY (M7)	
201	0130L00105	PHASE MONITOR (M6)	
211	0121L01468	CONTROL, PH MON BOX (M6)	
221	0121L01467	CONTROL, PH MON LID (M6)	
NS	20520901	CAPACITOR STRAP	
NS	0259L00178	HARNESS, ECONOMIZER (M1, M2, M3, M4, M7, M8, M9)	
NS	0259L00448	HARNESS, ECONOMIZER (M5, M6)	
NS	0259L00449	HARNESS, WIRING (M5, M6)	
NS	0130M00127	MOTOR POWER HARNESS	
NS	0259L00427	WIRE ASSY (M6)	
NS	0259L00428	WIRE ASSY (M6)	
NS	0259L00121	WIRE HARNESS (M1, M2, M3, M4, M7, M8, M9)	
NS	0259L00090	WIRE HARNESS-SMOKE DETECTOR (M8)	
NS	0259L00091	WIRE HARNESS-SMOKE DETECTOR (M7)	
NS	0259L00428	WIRE, HARNESS ASSY (M6)	
NS	0259L00427	WIRE, HARNESS ASSY. (M6)	
NS	0259L00058	WIRING HARNESS	
NS	0259L00070	WIRING HARNESS (M1, M2, M3, M4, M7, M8, M9)	
NS	0259L00073	WIRING HARNESS	
NS	0130M00126	X-13 LOW VOLTAGE WIRE HARNESS	

Expanded Model Nomenclature

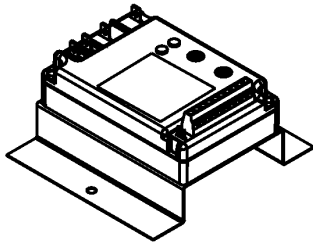
M1 - DCH060XXX1DXXXAA
M2 - DCH060XXX1DXXXAB
M3 - DCH060XXX3DXXXAA
M4 - DCH060XXX3DXXXAB
M5 - DCH060XXX6DXXXAB
M6 - DCH060XXX6DXXXAC
M7 - DCH0600103DHXGAA
M8 - DCH0600153DAXNAB
M9 - DCH0600153DHXXAA

ACCESSORY PARTS LIST

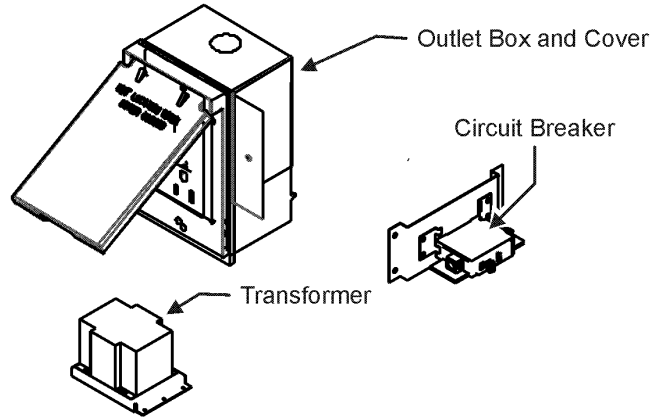
ACCESSORY PARTS LIST

NOTE: NOT ALL OPTIONS AVAILABLE FOR ALL PRODUCTS

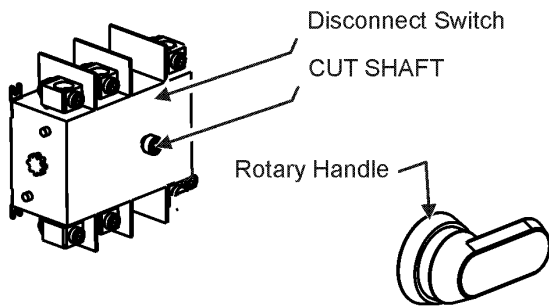
1 LOW AMBIENT KITS



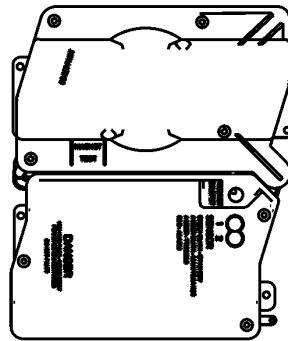
2 GFCI CONVENIENCE OUTLET



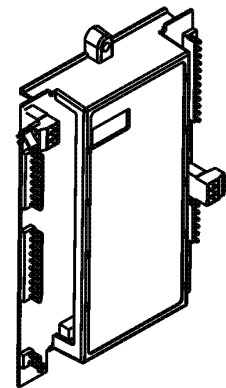
3 DISCONNECT MODULE (NON-FUSED)



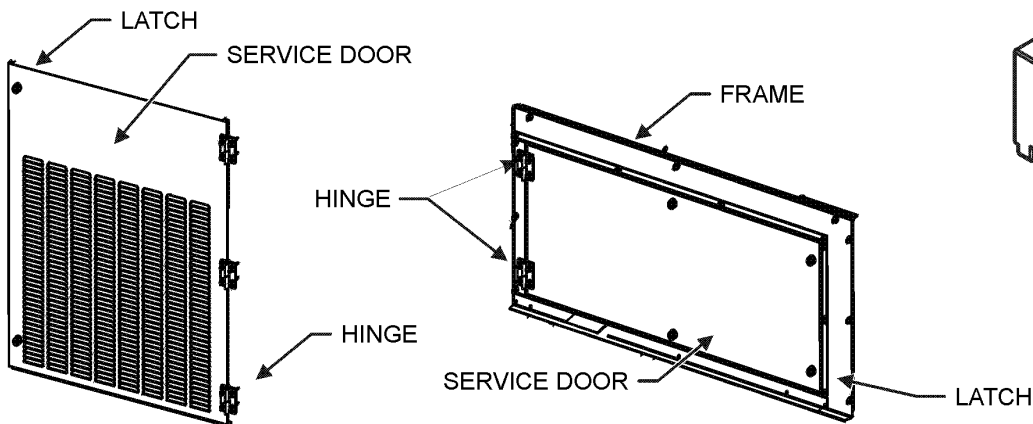
4 SMOKE DETECTORS



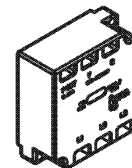
5 DDC CONTROL



6 HINGED DOOR ASSEMBLIES



7 PHASE MONITOR



ACCESSORY PARTS LIST

Ref. Part No:	No:	Description:	Ref. Part No:	No:	Description:
<i>Image 1:</i>					
NS	0121L01934	BRACKET SMOKE DETECTOR (M7, M8)			
NS	0121L00316	BRACKET-CONV OUTLET MOUNT (M7, M8)			
NS	0130M00065	CIRCUIT BREAKER, CONVENIENCE OUTLET (M8)			
NS	0121L00837NG	DISCONNECT COVER (M7, M9)			
NS	0130L00012	GANG BOX-GFCI OUTLET (M7, M8)			
NS	0130L00039	HANDLE, ROTARY (M7, M9)			
NS	0161G00012	POWER OUTLET BOX (M7, M8)			
NS	0130L00103	RECEPTACLE-GFCI OUTLET (M7, M8)			
NS	0130L00042	SHAFT, CUT (M7)			
NS	0130L00049	SHAFT, DISCONNECT (M9)			
NS	D4120	SMOKE DETECTOR, PHOTO 4WIRE (M7, M8)			
NS	0130L00027	SWITCH-DISCONNECT 100A (M9)			
NS	0130L00046	SWITCH-DISCONNECT 60A (M7)			
NS	0130M00061	TRANSFORMER, CONVENIENCE OUTLET (M8)			

Expanded Model Nomenclature

- M1 - DCH060XXX1DXXXAA
- M2 - DCH060XXX1DXXXAB
- M3 - DCH060XXX3DXXXAA
- M4 - DCH060XXX3DXXXAB
- M5 - DCH060XXX6DXXXAB
- M6 - DCH060XXX6DXXXAC
- M7 - DCH0600103DHXGAA
- M8 - DCH0600153DAXNAB
- M9 - DCH0600153DHXXAA