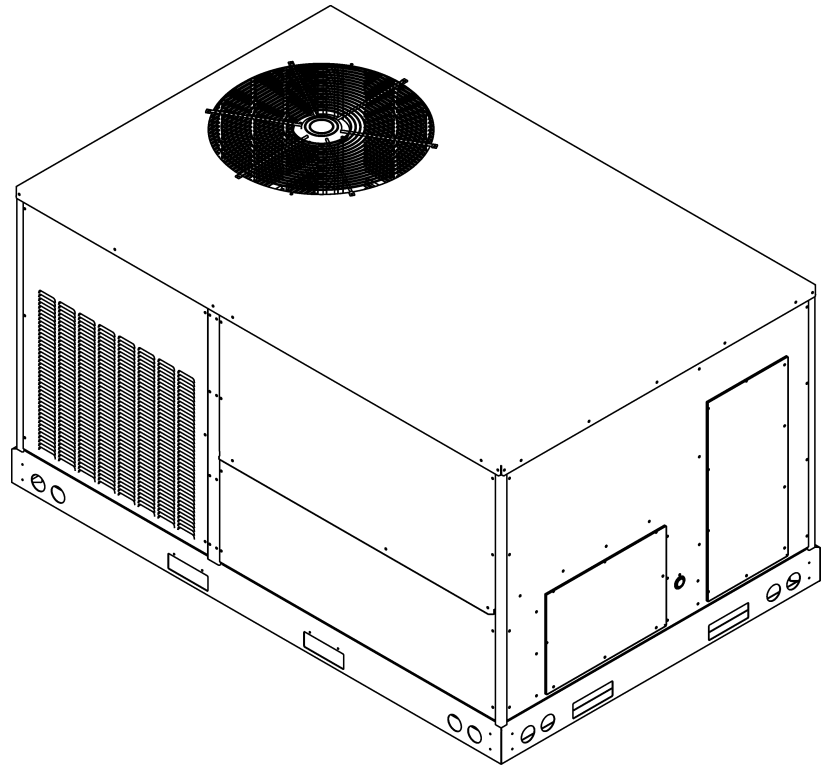


## Commercial 5 Ton Package Heat Pump Units

DCH0600103BAXFAA  
DCH0600103BXXBAB  
DCH0600103BXXJAA  
DCH0600103BXXLAA  
DCH0600104BXXXAB  
DCH0600104BXXXAC  
DCH0600153BAXCAB  
DCH0600153BHXBAB  
DCH0600153BHXMAB  
DCH0600154BHXFAC  
DCH0600203BAXXAA  
DCH0600203BHXBAB  
DCH0600203BJXFAB  
DCH0600204BAXCAC  
DCH0600204BXXXAC  
DCH060XXX3BAXHAB  
DCH060XXX3BBXXAA  
DCH060XXX3BXXCAA  
DCH060XXX3BXXWA  
DCH060XXX3BXXXAA  
DCH060XXX3BXXXAB  
DCH060XXX4BBXXAA  
DCH060XXX4BJXHAC  
DCH060XXX4BXXAAB  
DCH060XXX4BXXXAA  
DCH060XXX4BXXXAB  
DCH060XXX4BXXXAC  
DCH060XXX7BBXXAA  
DCH060XXX7BXXXAA  
DCH060XXX7BXXXAB



This manual is to be used by qualified technicians only.

This manual replaces RP-D1033J.

# Important Information

---

## Index

Functional Parts List .....	3
Illustration and Parts .....	4 - 15

*Views shown are for parts illustrations only, not servicing procedures*

Rev. F: Added model DCH0600153BAXCAB.

### Text Codes:

AR - As Required

NA - Not Available

NS - Not Shown

00000000 - See Note

QTY - Quantity Example (QTY 3) (If Quantity not shown, Quantity = 1)

M - Model Example (M1) (If M Code not shown, then part is used on all Models)

### Expanded Model Nomenclature:

Example M1 - Model#1 M2 - Model#2 M3 - Model#3
---

Daikin Company, L.P. is not responsible for personal injury or property damage resulting from improper service. Review all service information before beginning repairs.

Warranty service must be performed by an authorized technician, using authorized factory parts. If service is required after the warranty expires, Daikin Company, L.P. also recommends contacting an authorized technician and using authorized factory parts.

Daikin Company, L.P. reserves the right to discontinue, or change at any time, specifications or designs without notice or without incurring obligations.

For assistance within the U.S.A. contact:

Homeowner Support  
Daikin North America, LLC  
19001 Kermier Road  
Waller, Texas 77484  
855-770-5678-Telephone  
713-863-2382-Facsimile

For assistance outside the U.S.A. contact:

International Division  
Daikin North America, LLC  
19001 Kermier Road  
Waller, Texas 77484  
713-861-2500-Telephone  
713-863-2382-Facsimile

# Functional Parts

## Part

## No: Description:

0130M00025	24V RELAY (M7, M8, M9, M10, M11, M12, M13, M14, M15, M20, M21, M25, M29, M30)
B1226207	ACCUMULATOR .875
B1368056	BELT DRIVE BLOWER WHEEL
0131L00003	BELT DRIVE MOTOR 1 HP (M1, M2, M3, M4, M5, M6, M7, M8, M9, M10, M11, M12, M16, M17, M18, M19, M20, M21, M22, M23, M24, M25, M26, M27, M28, M29, M30)
0131L00004	BELT DRIVE MOTOR 1.5 HP 575V (M13, M14, M15)
CAP030000440LA	CAPACITOR 3/440V (M13, M15)
CAP050000370LA	CAPACITOR 5/370V (M1, M2, M3, M4, M5, M6, M10, M14, M16, M17, M18, M19, M22, M23, M24, M26, M27, M28)
CAP075000370LA	CAPACITOR 7.5/370V (M7, M8, M9, M11, M12, M20, M21, M25, M29, M30)
ZP51K5ETF5130	COMPRESSOR 51000, 208/230/60/3 (M1, M2, M3, M4, M5, M6, M16, M17, M18, M19, M22, M23, M24, M26, M27, M28)
ZP51K5ETFD130	COMPRESSOR 51000, 460/60/3 (M7, M8, M9, M10, M11, M12, M20, M21, M25, M29, M30)
ZP51K5ETFE130	COMPRESSOR 51000, 575/60/3 (M13, M14, M15)
0131M00429	COND MOTOR 1/4 HP, 1 SP,6 PL (M1, M2, M3, M4, M5, M6, M16, M17, M18, M19, M22, M23, M24, M26, M27, M28)
B13400269	COND MOTOR 380/460 50/60 CYCLE (M10)
0131M00432	COND MOTOR 380/460/50/60 CYCLE (M7, M8, M9, M11, M12, M20, M21, M25, M29, M30)
0131M00431	COND MOTOR 575V (M13, M15)
0131M00098	COND MOTOR 575V (M14)
CONT3P025024V	CONTACTOR 25 AMP, 3P, 24V (M7, M8, M9, M10, M11, M12, M13, M14, M15, M20, M21, M25, M29, M30)
CONT3P030024V	CONTACTOR 30 AMP, 3P, 24V (M1, M2, M3, M4, M5, M6, M16, M17, M18, M19, M22, M23, M24, M26, M27, M28)
CONT2P040024V	CONTACTOR 40 AMP, 2P, 24V (M2, M7, M13)
0130M00074	CUT-OUT SWITCH, HIGH PRESSURE
0130M00075	CUT-OUT SWITCH, LOW PRESSURE
PCBCG100	DDC Controller (M2, M7, M13)
PCBDM133	DEFROST CONTROL BOARD
0130L00112	Duct Temp Sensor (M2, M7, M13)
PCBFM103	ELECTRONIC BLOWER TIME DELAY
0164L00010	FAN BELT, NOTCHED
0130L00108	OD Air Temp Sensor (M2, M7, M13)
0151R00071	REVERSING VALVE
0130M00038	TERMINAL BOARD
0130M00275	TERMINAL BOARD (M2, M7, M13)
0130M00274	TERMINAL BOARD (M2, M7, M13)
0130M00144	TRANSFORMER (M1, M2, M6, M17, M22, M23, M24, M27, M28)
0130M00138	TRANSFORMER 208/230, 24V (M3, M4, M5, M16, M18, M19, M26)
0130M00145	TRANSFORMER 480V to 24V, 75VA (M7, M8, M9, M10, M11, M12, M20, M21, M25, M29, M30)
0130M00148	TRANSFORMER 575V to 24V, 75VA (M13, M14, M15)

## Expanded Model Nomenclature

M1 - DCH060XXX3BAXHAB
M2 - DCH060XXX3BBXXAA
M3 - DCH060XXX3BXXCAA
M4 - DCH060XXX3BXXWAA
M5 - DCH060XXX3BXXXAA
M6 - DCH060XXX3BXXXAB
M7 - DCH060XXX4BBXXAA
M8 - DCH060XXX4BJXHAC
M9 - DCH060XXX4BXXAAB
M10 - DCH060XXX4BXXXAA
M11 - DCH060XXX4BXXXAB
M12 - DCH060XXX4BXXXAC
M13 - DCH060XXX7BBXXAA
M14 - DCH060XXX7BXXXAA
M15 - DCH060XXX7BXXXAB
M16 - DCH0600103BAXFAA
M17 - DCH0600103BXXBAB
M18 - DCH0600103BXXJAA
M19 - DCH0600103BXXLAA
M20 - DCH0600104BXXXAB
M21 - DCH0600104BXXXAC
M22 - DCH0600153BAXCAB
M23 - DCH0600153BHXBAB
M24 - DCH0600153BHXMAB
M25 - DCH0600154BHXFAC
M26 - DCH0600203BAXXAA
M27 - DCH0600203BHXBAB
M28 - DCH0600203BJXFAB
M29 - DCH0600204BAXCAC
M30 - DCH0600204BXXXAC

# Top Panel and Tubing Assembly

IMAGE 1

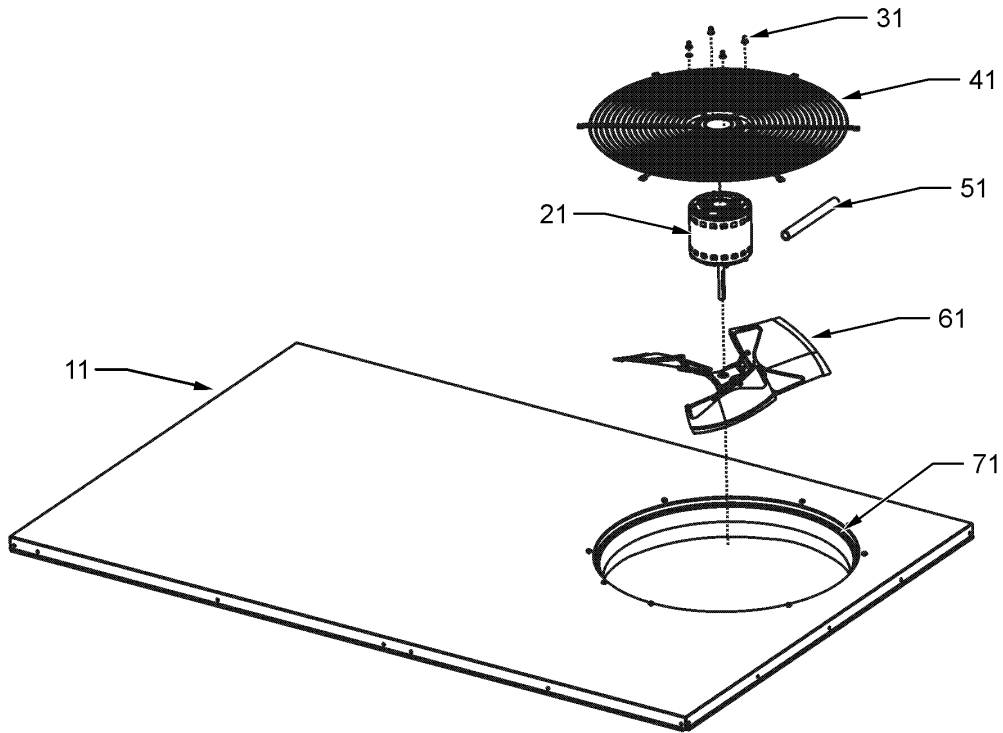
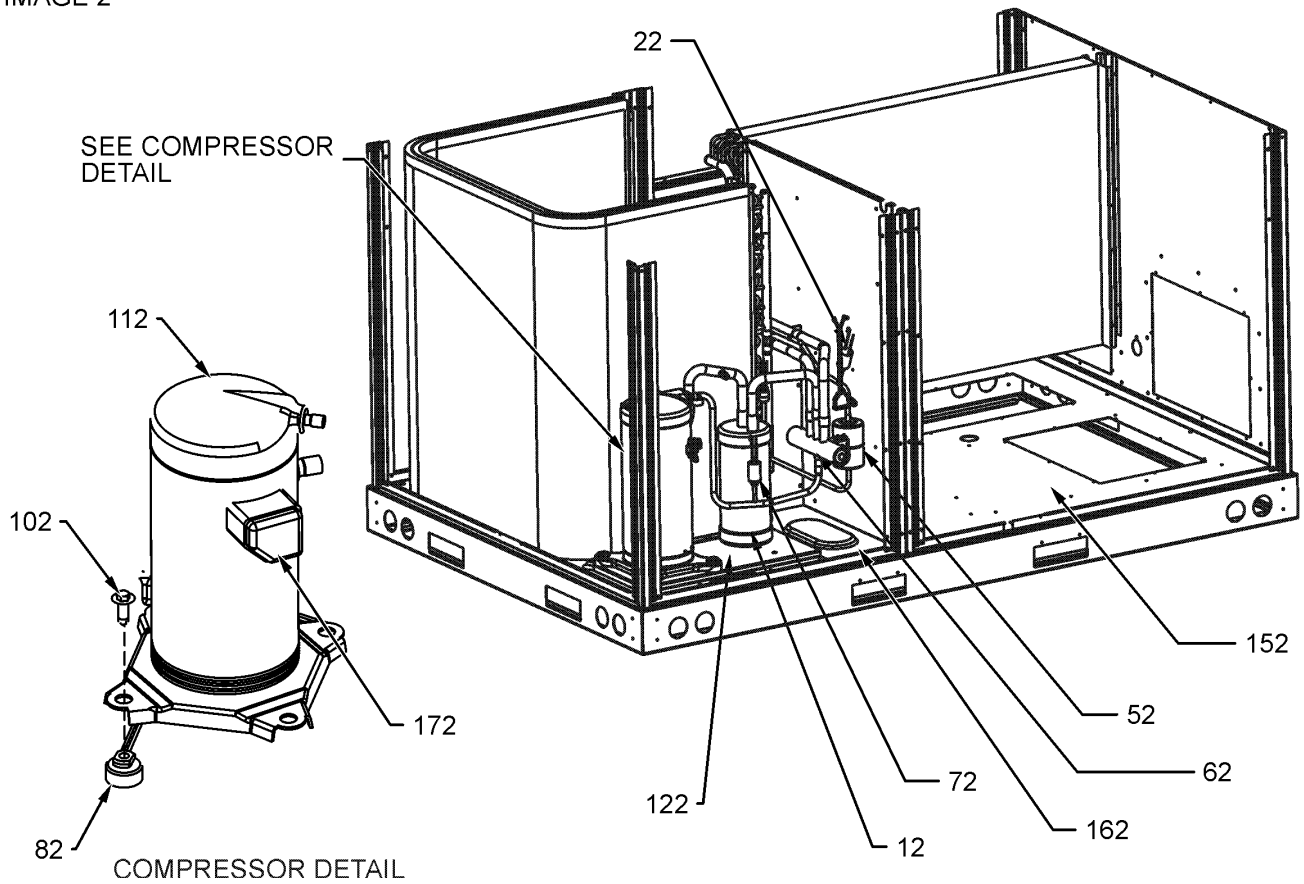


IMAGE 2



# Top Panel and Tubing Assembly

Ref. Part No: No:	Description:	Ref. Part No: No:	Description:
<b>Image 1:</b>		<b>Expanded Model Nomenclature</b>	
11	0121L00235NG	TOP PANEL	M1 - DCH060XXX3BAXHAB
21	0131M00429	COND MOTOR 1/4 HP, 1 SP,6 PL (M1, M2, M3, M4, M5, M6, M16, M17, M18, M19, M22, M23, M24, M26, M27, M28)	M2 - DCH060XXX3BBXXAA
21	B13400269	COND MOTOR 380/460 50/60 CYCLE (M10)	M3 - DCH060XXX3BXXCAA
21	0131M00432	COND MOTOR 380/460/50/60 CYCLE (M7, M8, M9, M11, M12, M20, M21, M25, M29, M30)	M4 - DCH060XXX3BXXWAA
21	0131M00098	COND MOTOR 575V (M14)	M5 - DCH060XXX3BXXXAA
21	0131M00431	COND MOTOR 575V (M13, M15)	M6 - DCH060XXX3BXXXAB
31	0163M00006P	ACORN NUT 5/16 HEX BLACK (QTY 4)	M7 - DCH060XXX4BBXXAA
41	0152G00003	FAN GRILLE	M8 - DCH060XXX4BJXHAC
51	17788000083F	PVC CONDUIT 8.25"	M9 - DCH060XXX4BXXAAB
61	0150G00004	FAN BLADE	M10 - DCH060XXX4BXXXAA
71	0161L00000	VENTURI RING 22"	M11 - DCH060XXX4BXXXAB
NS	0163M00004	SCREW #10X3/4", BLACK (QTY 8)	M12 - DCH060XXX4BXXXAC
NS	0163M00005P	WASHER, BLACK (.50 OD .218ID) (QTY 4)	M13 - DCH060XXX7BBXXAA
<b>Image 2:</b>			M14 - DCH060XXX7BXXXAA
12	B1226207	ACCUMULATOR .875	M15 - DCH060XXX7BXXXAB
22	0130M00075	CUT-OUT SWITCH, LOW PRESSURE	M16 - DCH0600103BAXFAA
52	B1219204	BI-FLOW FILTER DRIER	M17 - DCH0600103BXXBAB
62	0151R00071	REVERSING VALVE	M18 - DCH0600103BXXJAA
72	0130M00074	CUT-OUT SWITCH, HIGH PRESSURE	M19 - DCH0600103BXXLAA
82	B1339533	COMPRESSOR GROMMET (QTY 4)	M20 - DCH0600104BXXXAB
102	M0221641	TF SHOULDER SCREW (QTY 4)	M21 - DCH0600104BXXXAC
112	ZP51K5ETF5130	COMPRESSOR 51000, 208/230/60/3 (M1, M2, M3, M4, M5, M6, M16, M17, M18, M19, M22, M23, M24, M26, M27, M28)	M22 - DCH0600153BAXCAB
112	ZP51K5ETFD130	COMPRESSOR 51000, 460/60/3 (M7, M8, M9, M10, M11, M12, M20, M21, M25, M29, M30)	M23 - DCH0600153BHXBAB
112	ZP51K5ETFE130	COMPRESSOR 51000, 575/60/3 (M13, M14, M15)	M24 - DCH0600153BHXMAAB
122	0121L01308	MOUNTING PLATE-COMPRESSOR	M25 - DCH0600154BHXFAC
152	0121L00943	BASE PAN-INDOOR	M26 - DCH0600203BAXXAA
162	0121L01307	BASE PAN-OUTDOOR	M27 - DCH0600203BHXBAB
172	0159L00028	COMPRESSOR SCROLL HARNESS	M28 - DCH0600203BJXFAB
NS	B1373315	ACCESS FITTING (QTY 2)	M29 - DCH0600204BAXCAC
NS	0163M00175	CAP WITH O-RING (QTY 2)	M30 - DCH0600204BXXXAC

# Cabinet Assembly

IMAGE 1

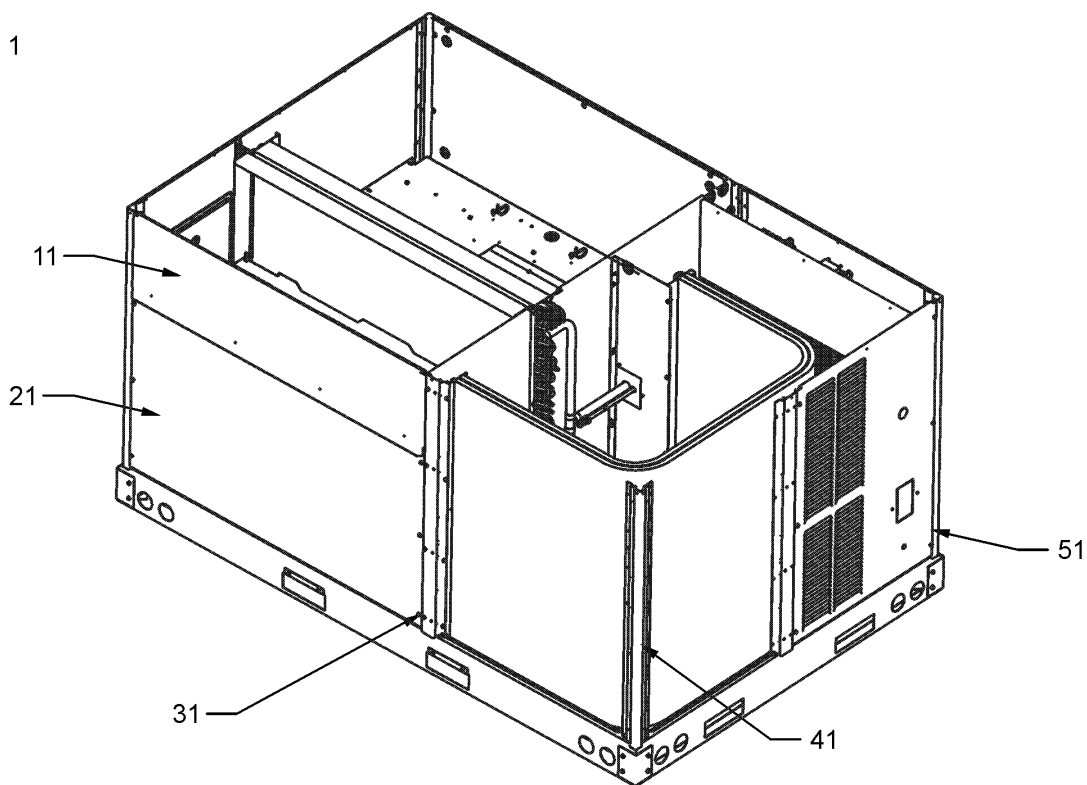
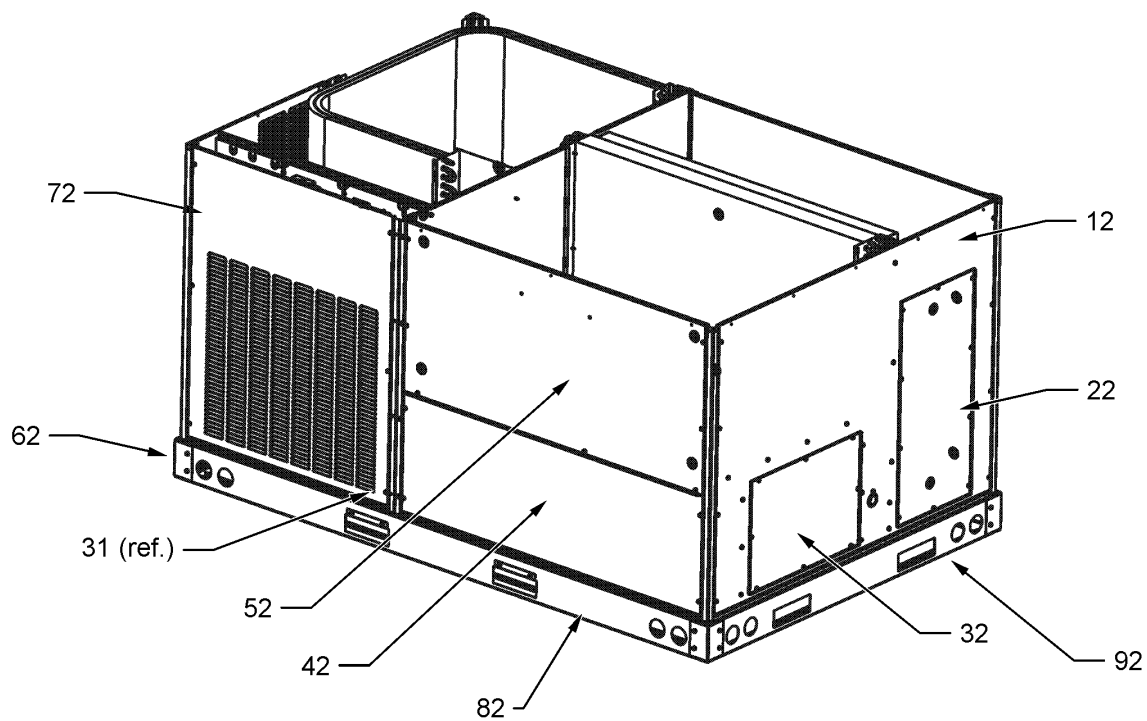


IMAGE 2



# Cabinet Assembly

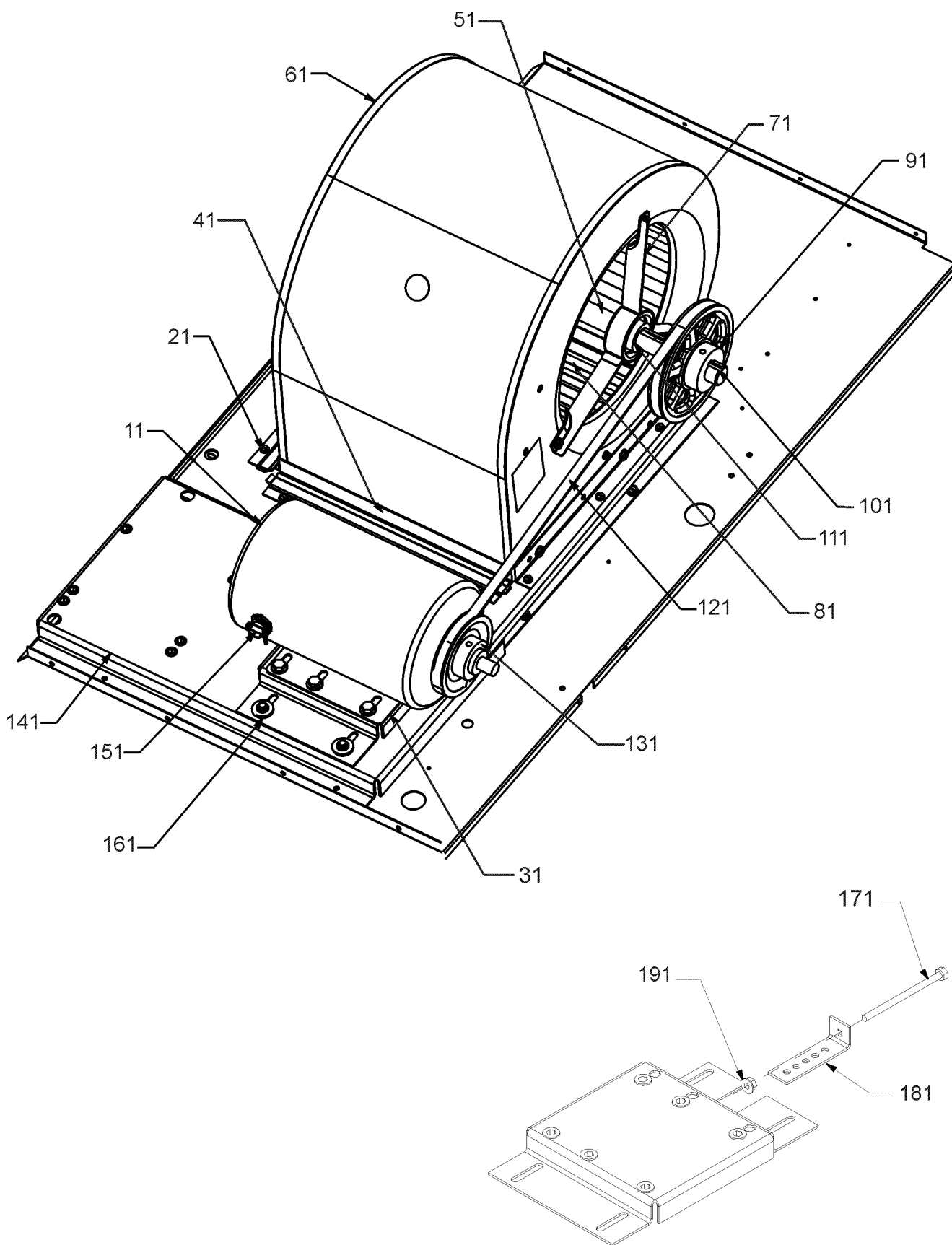
Ref. Part No: No:	Description:	Ref. Part No: No:	Description:
<b>Image 1:</b>		<b>Expanded Model Nomenclature</b>	
11	0270L00362NG FILTER DOOR	M1	- DCH060XXX3BAXHAB
21	0121L00976NG ECONOMIZER DOOR	M2	- DCH060XXX3BBXXAA
31	0121L00233RFNG POST-SIDE SUPPORT (QTY 2)	M3	- DCH060XXX3BXXCAA
31	0121L01159RFNG RF, Post-Side, Painted 3-5Ton (M1, M2, M6, M7, M8, M12, M13, M15, M17, M21, M22, M23, M24, M25, M27, M28, M29, M30)	M4	- DCH060XXX3BXXWAA
41	0121L01198RFNG CORNER POST (QTY 4)	M5	- DCH060XXX3BXXXAA
51	0121L00263NG LOUVERED COMPRESSOR PANEL	M6	- DCH060XXX3BXXXAB
51	0121L00836NG LOUVERED COMPRESSOR PANEL (M8, M23, M24, M25, M27, M28)	M7	- DCH060XXX4BBXXAA
NS	0121L01309 ECONOMIZER COVER (M1, M8, M16, M22, M26, M28, M29)	M8	- DCH060XXX4BJXHAC
NS	0164L00009 GASKET-RUBBER, CPOST (QTY 3)	M9	- DCH060XXX4BXXAAB
NS	0164L00011 GASKET-RUBBER, SIDE POST (QTY 2)	M10	- DCH060XXX4BXXXAA
<b>Image 2:</b>		M11	- DCH060XXX4BXXXAB
12	0121L00236NG DUCT PANEL	M12	- DCH060XXX4BXXXAC
22	0121L00023NG RETURN DUCT COVER	M13	- DCH060XXX7BBXXAA
32	0121L00024NG SUPPLY DUCT COVER	M14	- DCH060XXX7BXXXAA
42	0121L00279NG ELECTRIC HEAT DOOR (M3, M4, M5, M9, M10, M11, M14, M16, M18, M19, M20, M26)	M15	- DCH060XXX7BXXXAB
42	0121L01176NG ELECTRIC HEAT DOOR (M1, M2, M6, M7, M8, M12, M13, M15, M17, M21, M22, M23, M24, M25, M27, M28, M29, M30)	M16	- DCH0600103BAXFAA
52	0121L00259NG BLOWER DOOR (M3, M4, M5, M9, M10, M11, M14, M16, M18, M19, M20, M26)	M17	- DCH0600103BXXBAB
52	0121L01157NG BLOWER DOOR (M1, M2, M6, M7, M8, M12, M13, M15, M17, M21, M22, M23, M24, M25, M27, M28, M29, M30)	M18	- DCH0600103BXXJAA
62	0121G00301 RAIL CORNER BRACKET (QTY 4)	M19	- DCH0600103BXXLAA
72	0121L00262NG LOUVERED CONTROL PANEL (M3, M4, M5, M9, M10, M11, M14, M16, M18, M19, M20, M26)	M20	- DCH0600104BXXXAB
72	0121L01121NG LOUVERED CONTROL PANEL (M1, M2, M6, M7, M8, M12, M13, M15, M17, M21, M22, M23, M24, M25, M27, M28, M29, M30)	M21	- DCH0600104BXXXAC
82	0121L00244RF SIDE RAIL (QTY 2)	M22	- DCH0600153BAXCAB
92	0121L00245 END RAIL (QTY 2)	M23	- DCH0600153BHXBAB
		M24	- DCH0600153BHXMAB
		M25	- DCH0600154BHXFAC
		M26	- DCH0600203BAXXAA
		M27	- DCH0600203BHXBAB
		M28	- DCH0600203BJXFAB
		M29	- DCH0600204BAXCAC
		M30	- DCH0600204BXXXAC



# Condenser/Evaporator/Partition Assembly

Ref. Part No: No:	Description:	Ref. Part No: No:	Description:
<b>Image 1:</b>		<b>Expanded Model Nomenclature</b>	
11	0201L00039	TUBING ASSY, COND COIL	M1 - DCH060XXX3BAXHAB
21	0202L00020	TUBING ASSY, EVAP COIL	M2 - DCH060XXX3BBXXAA
31	0121L00252	BLOCKOFF-EVAPORATOR (M1, M2, M3, M4, M5, M6, M7, M8, M9, M10, M11, M12, M13, M14, M15, M16, M17, M20, M21, M22, M23, M24, M25, M26, M27, M28, M29, M30)	M3 - DCH060XXX3BXXCAA
31	0121L00337	BLOCKOFF-EVAPORATOR (M18, M19)	M4 - DCH060XXX3BXXWAA
41	0121L00303	FILTER ANGLE-VERTICAL (HAIRPIN SIDE)	M5 - DCH060XXX3BXXXAA
51	0121L00287	FILTER ANGLE-VERTICAL (RETURN SIDE)	M6 - DCH060XXX3BXXXAB
61	0121L00932	FILTER ANGLE-HORIZONTAL (QTY 2)	M7 - DCH060XXX4BBXXAA
71	0121L01255	ANGLE-FILTER CENTER	M8 - DCH060XXX4BJXHAC
121	0130M00100	DEFROST CONTROL	M9 - DCH060XXX4BXXAAB
211	0121L00311	COND BLOCK-OFF	M10 - DCH060XXX4BXXXAA
221	0121L00939	CONDENSER BLOCKOFF PLATE	M11 - DCH060XXX4BXXXAB
231	0121L00238	DRAIN PAN SUPPORT	M12 - DCH060XXX4BXXXAC
241	0161L00005	DRAIN PAN	M13 - DCH060XXX7BBXXAA
251	0121L00243	DECK SIDE CHANNEL	M14 - DCH060XXX7BXXXAA
261	0121L00254	COND MOUNTING ANGLE	M15 - DCH060XXX7BXXXAB
321	0163L00071	DRAIN PLUG	M16 - DCH0600103BAXFAA
331	0154L00009	DRAIN PAN GASKET	M17 - DCH0600103BXXBAB
451	0121L00288	ELECTRIC HEAT RETAINER	M18 - DCH0600103BXXJAA
461	0121L00144	ELECTRIC HEAT COVER	M19 - DCH0600103BXXLAA
471	0121L00256	ELECTRIC HEAT PANEL	M20 - DCH0600104BXXXAB
481	0121L01205	BLOWER DECK (M3, M4, M5, M9, M10, M11, M14, M16, M18, M19, M20, M26)	M21 - DCH0600104BXXXAC
481	0121L01442	BLOWER DECK (M1, M2, M6, M7, M8, M12, M13, M15, M17, M21, M22, M23, M24, M25, M27, M28, M29, M30)	M22 - DCH0600153BAXCAB
491	A4568804	GROMMET-D (QTY 4)	M23 - DCH0600153BHXBAB
NS	0160L00173	AIR FILTER 14 X 20 X 2 (QTY 4)	M24 - DCH0600153BHXMAB
NS	0121L00321	SMOKE DETECTOR COVER	M25 - DCH0600154BHXFAC
			M26 - DCH0600203BAXXAA
			M27 - DCH0600203BHXBAB
			M28 - DCH0600203BJXFAB
			M29 - DCH0600204BAXCAC
			M30 - DCH0600204BXXXAC

# Blower Assembly



# Blower Assembly

**Ref. Part  
No: No:**

**Description:**

**Ref. Part  
No: No:**

**Description:**

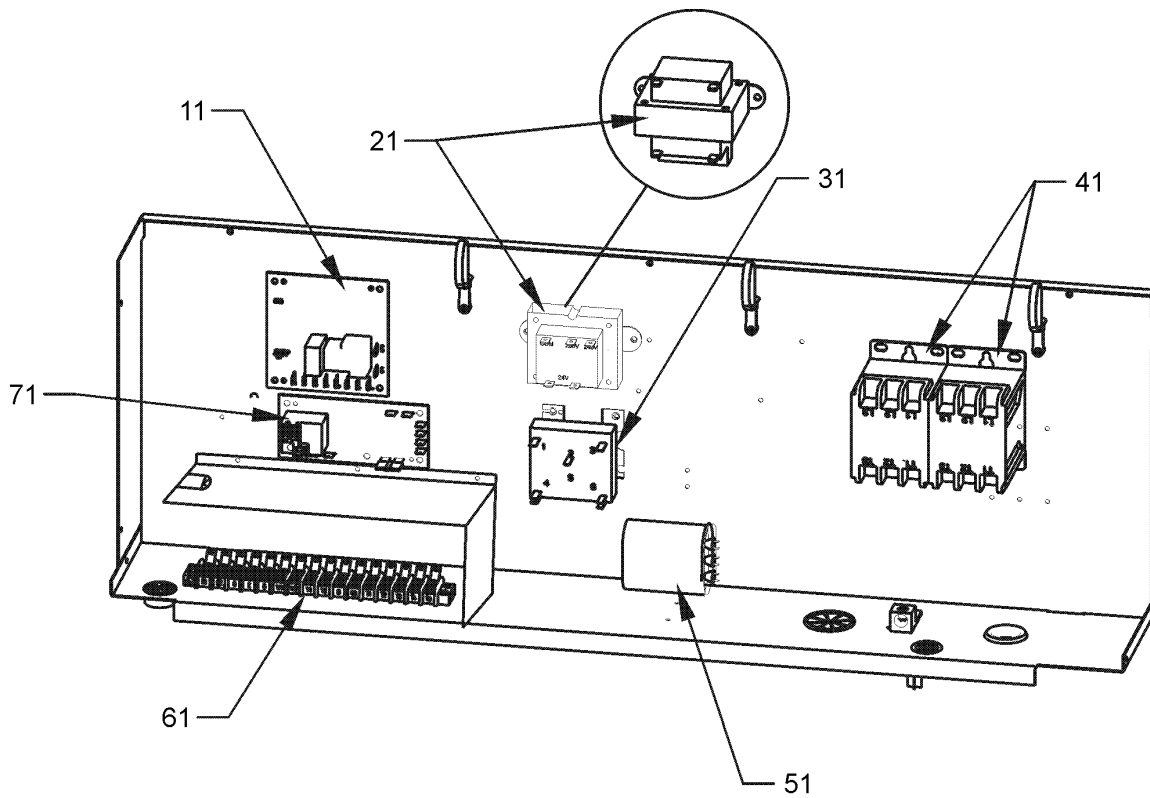
**Image 1:**

11	0131L00003	BELT DRIVE MOTOR 1 HP (M1, M2, M3, M4, M5, M6, M7, M8, M9, M10, M11, M12, M16, M17, M18, M19, M20, M21, M22, M23, M24, M25, M26, M27, M28, M29, M30)
11	0131L00004	BELT DRIVE MOTOR 1.5 HP 575V (M13, M14, M15)
21	0121L00297	BLOWER SIDE ANGLE (QTY 3)
31	0121L00899	MOTOR BASE
41	0121L00281	BLOWER MOUNTING ANGLE
51	0163L00005	BELT DRIVE BLOWER SHAFT
61	2539302F	BLOWER HOUSING 11 X 10
71	B3201300	MOUNTING BRACKET BEARING (QTY 2)
81	B1368056	BELT DRIVE BLOWER WHEEL
91	B3204303	FIXED SHEAVE AK61
101	B1398604	STEEL KEY (000158812) 2.0"
111	B1399500	BALL BEARING 1.00" (QTY 2)
121	0164L00010	FAN BELT, NOTCHED
131	B2120001	VARIABLE PITCH SHEAVE 1VL44 X 3/8"
141	0121L01203	BLOWER PLATE SUPPORT
151	B1393726	ELECT. CONNECTING BUSHING
161	B1393738	BOLT 1/4-20 X 3/4" (QTY 4)
171	0163M00045	BOLT 1/4-20 X 4"
181	3225000F	BELT TIGHTENER ANGLE
191	B1393023	NUT / LOCK .25-20
NS	1864703F	BLOWER CUT-OFF
NS	B1398603	STEEL KEY (000158812) 4.5"

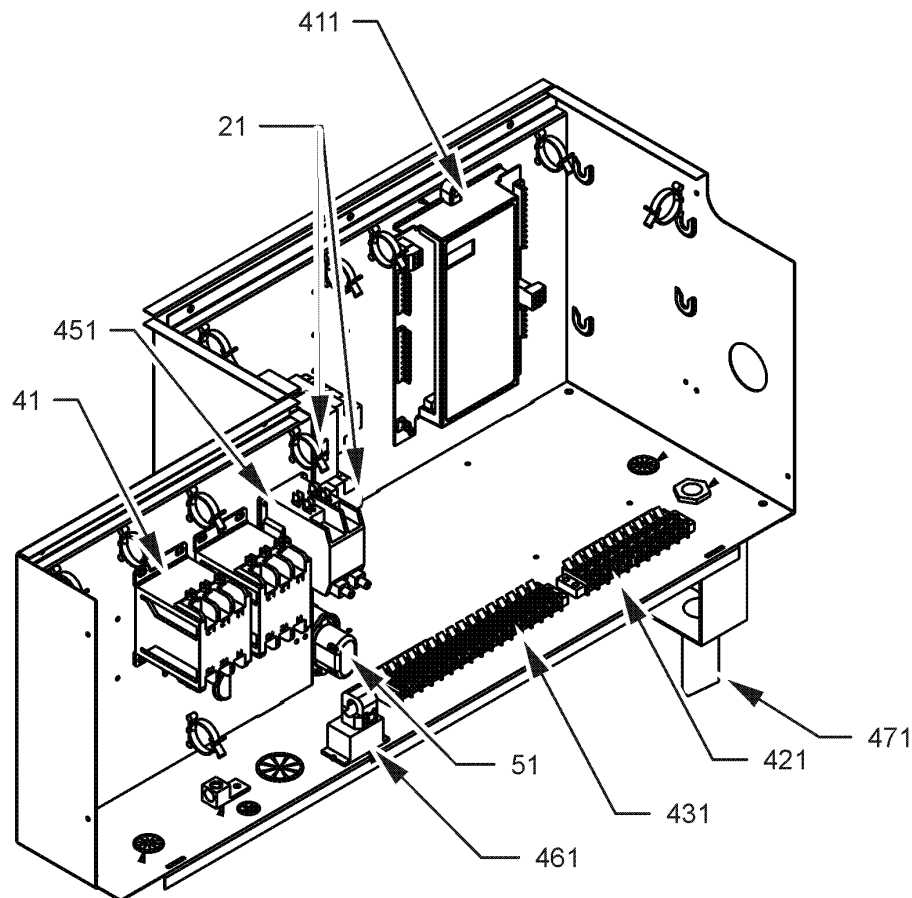
**Expanded Model Nomenclature**

M1 - DCH060XXX3BAXHAB
M2 - DCH060XXX3BBXXAA
M3 - DCH060XXX3BXXCAA
M4 - DCH060XXX3BXXWAA
M5 - DCH060XXX3BXXXAA
M6 - DCH060XXX3BXXXAB
M7 - DCH060XXX4BBXXAA
M8 - DCH060XXX4BJXHAC
M9 - DCH060XXX4BXXAAB
M10 - DCH060XXX4BXXXAA
M11 - DCH060XXX4BXXXAB
M12 - DCH060XXX4BXXXAC
M13 - DCH060XXX7BBXXAA
M14 - DCH060XXX7BXXXAA
M15 - DCH060XXX7BXXXAB
M16 - DCH0600103BAXFAA
M17 - DCH0600103BXXBAB
M18 - DCH0600103BXXJAA
M19 - DCH0600103BXXLAA
M20 - DCH0600104BXXXAB
M21 - DCH0600104BXXXAC
M22 - DCH0600153BAXCAB
M23 - DCH0600153BHXBAB
M24 - DCH0600153BHXMAB
M25 - DCH0600154BHXFAC
M26 - DCH0600203BAXXAA
M27 - DCH0600203BHXBAB
M28 - DCH0600203BJXFAB
M29 - DCH0600204BAXCAC
M30 - DCH0600204BXXXAC

# Control Box Assembly



CONTROL BOX  
FOR MODELS  
WITH DDC CONTROL



# Control Box Assembly

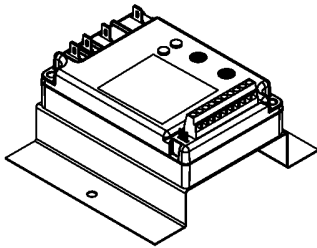
Ref. Part No: No:	Description:	Ref. Part No: No:	Description:
<b>Image 1:</b>		<b>Expanded Model Nomenclature</b>	
11	PCBDM133	M1	DCH060XXX3BAXHAB
21	0130M00144	M2	DCH060XXX3BBXXAA
21	0130M00138	M3	DCH060XXX3BXXCAA
21	0130M00145	M4	DCH060XXX3BXXWAA
21	0130M00148	M5	DCH060XXX3BXXXAA
31	0130M00025	M6	DCH060XXX3BXXXAB
41	CONT3P025024V	M7	DCH060XXX4BBXXAA
41	CONT3P030024V	M8	DCH060XXX4BJXHAC
51	CAP030000440LA	M9	DCH060XXX4BXXAAB
51	CAP050000370LA	M10	DCH060XXX4BXXXAA
51	CAP075000370LA	M11	DCH060XXX4BXXXAB
61	0130M00038	M12	DCH060XXX4BXXXAC
71	PCBFM103	M13	DCH060XXX7BBXXAA
411	PCBCG100	M14	DCH060XXX7BXXXAA
421	0130M00274	M15	DCH060XXX7BXXXAB
431	0130M00275	M16	DCH0600103BAXFAA
451	CONT2P040024V	M17	DCH0600103BXXBAB
461	0259L00368	M18	DCH0600103BXXJAA
471	0130L00108	M19	DCH0600103BXXLAA
NS	B821700	M20	DCH0600104BXXXAB
NS	20520901	M21	DCH0600104BXXXAC
NS	0259L00077	M22	DCH0600153BAXCAB
NS	0259L00078	M23	DCH0600153BHXBAB
NS	0130L00112	M24	DCH0600153BHXMBAB
NS	0259L00178	M25	DCH0600154BHXFAC
NS	0259L00122	M26	DCH0600203BAXXAA
NS	0259L00061	M27	DCH0600203BHXBAB
NS	0259L00065	M28	DCH0600203BJXFAB
NS	0259L00070	M29	DCH0600204BAXCAC
NS	0259L00071	M30	DCH0600204BXXXAC

# Accessory Parts List

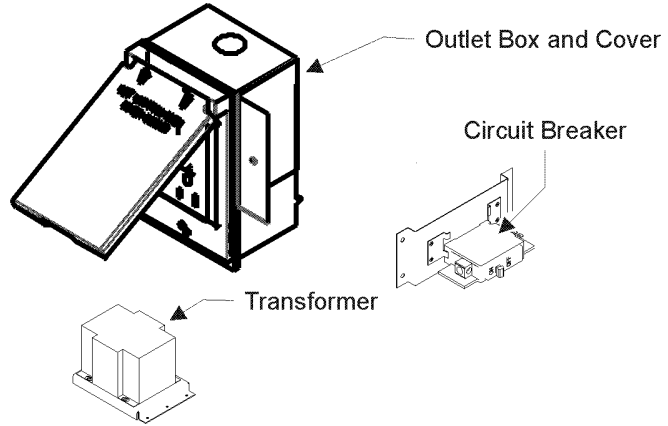
## ACCESSORY PARTS LIST

NOTE: NOT ALL OPTIONS AVAILABLE FOR ALL PRODUCTS

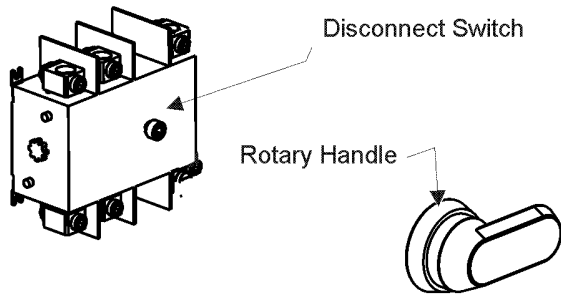
### LOW AMBIENT KITS



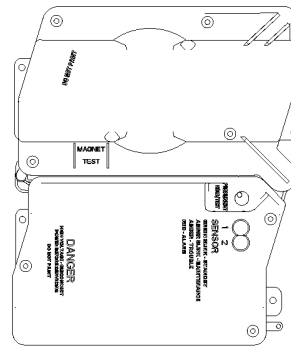
### GFCI CONVENIENCE OUTLET



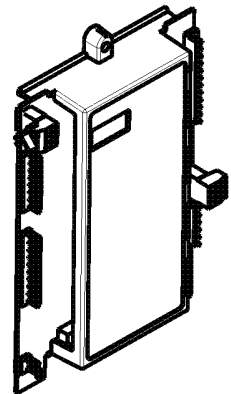
### DISCONNECT MODULE (NON-FUSED)



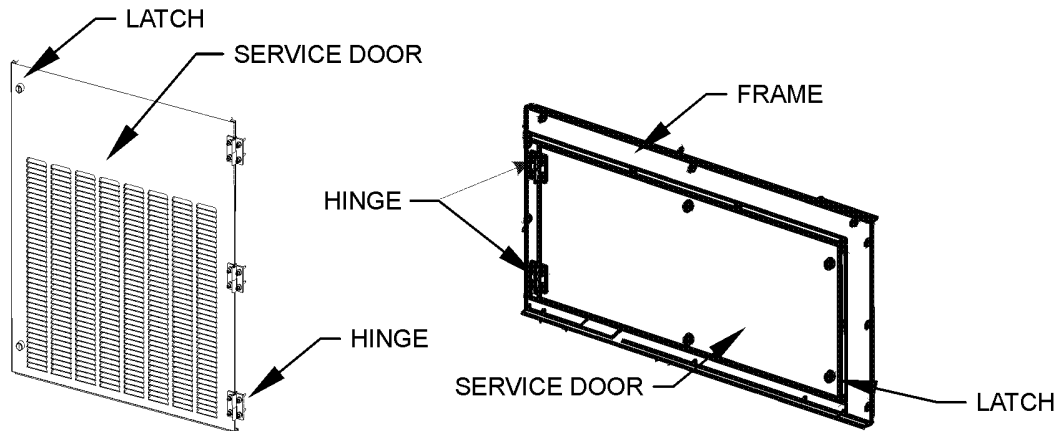
### SMOKE DETECTORS



### DDC CONTROL



### HINGED DOOR ASSEMBLIES



# Accessory Parts List

Ref. Part No:	Description:	Ref. Part No:	Description:
<b>Image 1:</b>		<b>Expanded Model Nomenclature</b>	
NS 0121L00316	BRACKET-CONV OUTLET MOUNT (M1, M8, M9, M16, M17, M18, M19, M23, M24, M25, M27, M28)	M1 - DCH060XXX3BAXHAB	
NS 0121L00332	BRACKET-SMOKE DETECTOR (M1, M4, M8, M18, M19)	M2 - DCH060XXX3BBXXAA	
NS 0130M00065	CIRCUIT BREAKER, CONVENIENCE OUTLET (M17, M23, M24, M27)	M3 - DCH060XXX3BXXCAA	
NS 0121L00837NG	DISCONNECT COVER (M8, M23, M24, M25, M27, M28)	M4 - DCH060XXX3BXXWAA	
NS 0130L00012	GANG BOX-GFCI OUTLET (M1, M8, M9, M16, M17, M18, M19, M23, M24, M25, M27, M28)	M5 - DCH060XXX3BXXXAA	
NS 0130L00039	HANDLE, ROTARY (M8, M23, M24, M25, M27, M28)	M6 - DCH060XXX3BXXXAB	
NS LAKT03	LOW AMBIENT KIT (M3, M4, M16, M19, M22, M24, M25, M28, M29)	M7 - DCH060XXX4BBXXAA	
NS 0161G00012	POWER OUTLET BOX (M1, M8, M9, M16, M17, M18, M19, M23, M24, M25, M27, M28)	M8 - DCH060XXX4BJXHAC	
NS 0130L00103	RECEPTACLE-GFCI OUTLET (M1, M8, M9, M16, M17, M18, M19, M23, M24, M25, M27, M28)	M9 - DCH060XXX4BXXAAB	
NS 0130L00042	SHAFT, CUT (M8, M25)	M10 - DCH060XXX4BXXXAA	
NS 0130L00049	SHAFT, DISCONNECT (M8, M23, M24, M25, M27, M28)	M11 - DCH060XXX4BXXXAB	
NS D4120	SMOKE DETECTOR, PHOTO 4WIRE (M1, M4, M8, M18, M19)	M12 - DCH060XXX4BXXXAC	
NS D4S	SMOKE DETECTOR, SENSOR ONLY (M18, M19)	M13 - DCH060XXX7BBXXAA	
NS 0130L00027	SWITCH-DISCONNECT 100A (M23, M24, M27, M28)	M14 - DCH060XXX7BXXXAA	
NS 0130L00046	SWITCH-DISCONNECT 60A (M8, M25)	M15 - DCH060XXX7BXXXAB	
NS 0130M00061	TRANSFORMER, CONVENIENCE OUTLET (M17, M23, M24, M27)	M16 - DCH0600103BAXFAA	
		M17 - DCH0600103BXXBAB	
		M18 - DCH0600103BXXJAA	
		M19 - DCH0600103BXXLAA	
		M20 - DCH0600104BXXXAB	
		M21 - DCH0600104BXXXAC	
		M22 - DCH0600153BAXCAB	
		M23 - DCH0600153BHXBAB	
		M24 - DCH0600153BHXMAB	
		M25 - DCH0600154BHXFAC	
		M26 - DCH0600203BAXXAA	
		M27 - DCH0600203BHXBAB	
		M28 - DCH0600203BJXFAB	
		M29 - DCH0600204BAXCAC	
		M30 - DCH0600204BXXXAC	