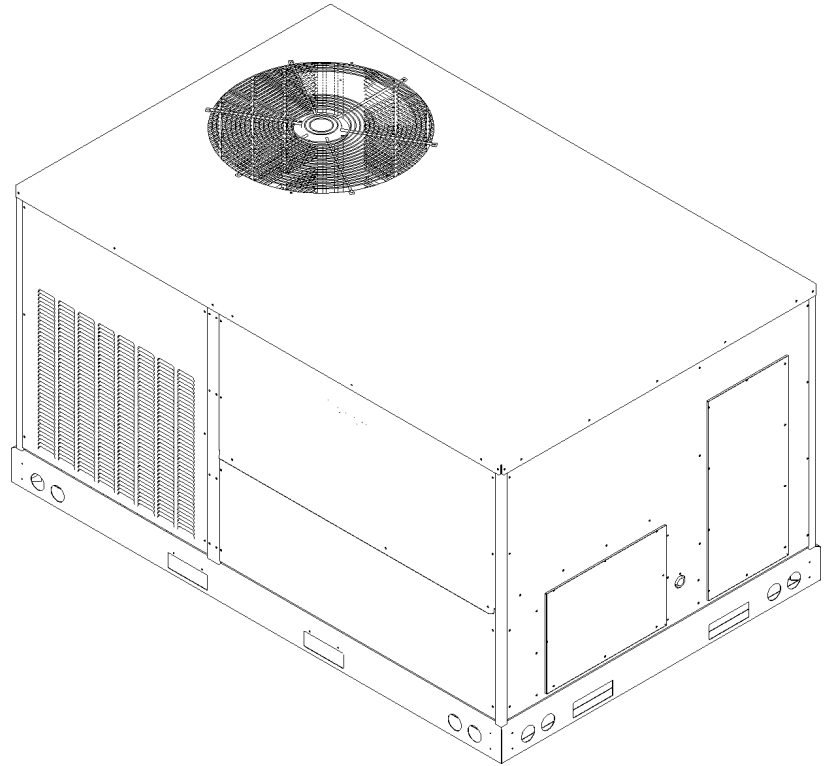


Commercial 4 Ton Package Heat Pump Units

DCH0480103BAXCAB
DCH0480103BAXFAA
DCH0480103BXXCAB
DCH0480103BXXFAA
DCH0480153BHXBAA
DCH0480184BHXFAC
DCH0480184BXXBAC
DCH048XXX3BXXCAA
DCH048XXX3BXXXAA
DCH048XXX3BXXXAB
DCH048XXX4BXXEAC
DCH048XXX4BXXXAA
DCH048XXX4BXXXAB
DCH048XXX4BXXXAC
DCH048XXX7BXXXAA
DCH048XXX7BXXXAB



This manual is to be used by qualified technicians only.

This manual replaces RP-D1031F.

© 2013 - 2017 **DAIKIN COMPANY, L.P.** ♦ 5151 San Felipe St., Suite 500 ♦ Houston, TX 77056

Important Information

Index

Functional Parts List	3
Illustration and Parts	4 - 15

Views shown are for parts illustrations only, not servicing procedures

Text Codes:

AR - As Required

NA - Not Available

NS - Not Shown

00000000 - See Note

QTY - Quantity Example (QTY 3) (If Quantity not shown, Quantity = 1)

M - Model Example (M1) (If M Code not shown, then part is used on all Models)

Expanded Model Nomenclature:

Example M1 - Model#1 M2 - Model#2 M3 - Model#3

Daikin Company, L.P. is not responsible for personal injury or property damage resulting from improper service. Review all service information before beginning repairs.

Warranty service must be performed by an authorized technician, using authorized factory parts. If service is required after the warranty expires, Daikin Company, L.P. also recommends contacting an authorized technician and using authorized factory parts.

Daikin Company, L.P. reserves the right to discontinue, or change at any time, specifications or designs without notice or without incurring obligations.

For assistance within the U.S.A. contact:

Homeowner Support
Daikin North America, LLC
19001 Kermier Road
Waller, Texas 77484
855-770-5678-Telephone
713-863-2382-Facsimile

For assistance outside the U.S.A. contact:

International Division
Daikin North America, LLC
19001 Kermier Road
Waller, Texas 77484
713-861-2500-Telephone
713-863-2382-Facsimile

Functional Parts

Part No: **Description:**

0130M00025	24V RELAY (M4, M5, M6, M7, M8, M9, M15, M16)
B1226207	ACCUMULATOR .875
B1368056	BELT DRIVE BLOWER WHEEL
0131L00003	BELT DRIVE MOTOR 1 HP (M1, M2, M3, M4, M5, M6, M7, M10, M11, M12, M13, M14, M15, M16)
0131L00004	BELT DRIVE MOTOR 1.5 HP 575V (M8, M9)
CAP030000440LA	CAPACITOR 3/440V (M9)
CAP050000370LA	CAPACITOR 5/370V (M1, M2, M5, M8, M11, M13, M14)
CAP050000440LA	CAPACITOR 5/440V (M3, M10, M12)
CAP075000370LA	CAPACITOR 7.5/370V (M4, M6, M7, M15, M16)
ZP39K5ETF5130	COMPRESSOR 39000, 200/230/60/3 (M1, M2, M3, M10, M11, M12, M13, M14)
ZP39K5ETFD130	COMPRESSOR 39000, 460/60/3 (M4, M5, M6, M7, M15, M16)
ZP39K5ETFE130	COMPRESSOR 39000, 575/60/3 (M8, M9)
0131M00429	COND MOTOR 1/4 HP, 1 SP,6 PL (M1, M2, M3, M10, M11, M12, M13, M14)
B13400269	COND MOTOR 380/460 50/60 CYCLE (M5)
0131M00432	COND MOTOR 380/460/50/60 CYCLE (M4, M6, M7, M15, M16)
0131M00098	COND MOTOR 575V (M8)
0131M00431	COND MOTOR 575V (M9)
CONT3P025024V	CONTACTOR 25 AMP, 3P, 24V (M4, M5, M6, M7, M8, M9, M15, M16)
CONT3P030024V	CONTACTOR 30 AMP, 3P, 24V (M1, M2, M3, M10, M11, M12, M13, M14)
0130M00074	CUT-OUT SWITCH, HIGH PRESSURE
0130M00075	CUT-OUT SWITCH, LOW PRESSURE
0130M00100	DEFROST CONTROL
PCBDM133	DEFROST CONTROL BOARD
PCBFM103	ELECTRONIC BLOWER TIME DELAY
0151R00071	REVERSING VALVE
B1225022	SOLENOID COIL
0130M00038	TERMINAL BOARD
0130M00144	TRANSFORMER (M3, M10, M12)
0130M00138	TRANSFORMER 208/230, 24V (M1, M2, M11, M13, M14)
0130M00145	TRANSFORMER 480V to 24V, 75VA (M4, M5, M6, M7, M15, M16)
0130M00148	TRANSFORMER 575V to 24V, 75VA (M8, M9)

Expanded Model Nomenclature

M1 - DCH048XXX3BXXCAA
M2 - DCH048XXX3BXXXAA
M3 - DCH048XXX3BXXXAB
M4 - DCH048XXX4BXXEAC
M5 - DCH048XXX4BXXXAA
M6 - DCH048XXX4BXXXAB
M7 - DCH048XXX4BXXXAC
M8 - DCH048XXX7BXXXAA
M9 - DCH048XXX7BXXXAB
M10 - DCH0480103BAXCAB
M11 - DCH0480103BAXFAA
M12 - DCH0480103BXXCAB
M13 - DCH0480103BXXFAA
M14 - DCH0480153BHXBAA
M15 - DCH0480184BHXFAC
M16 - DCH0480184BXXBAC

Top Panel & Tubing Assembly

IMAGE 1

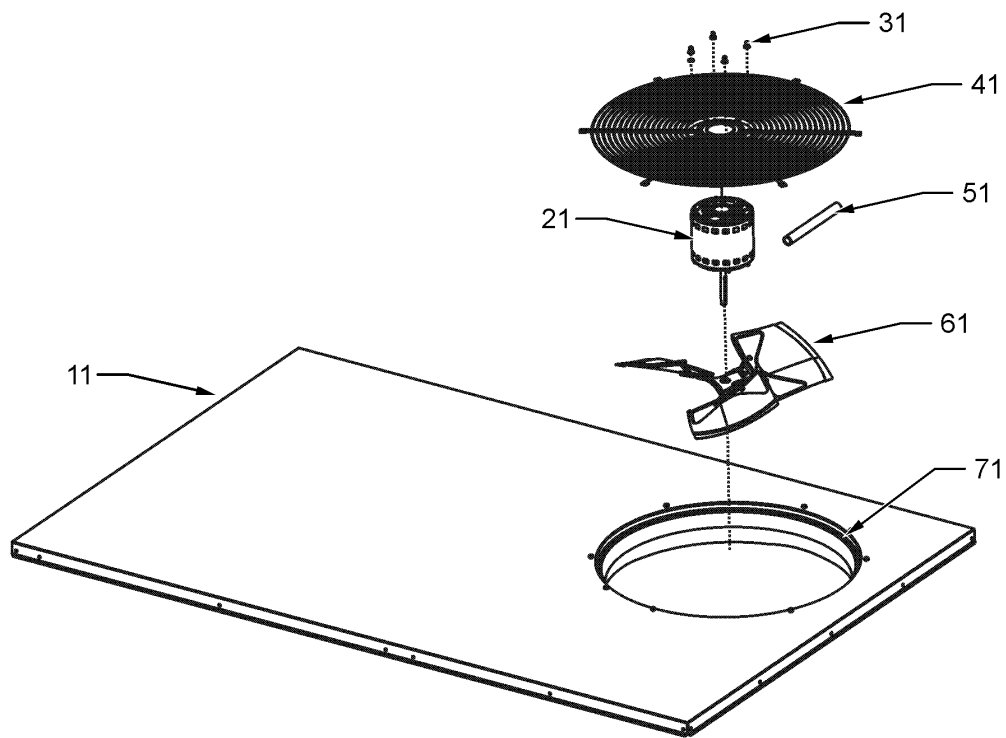
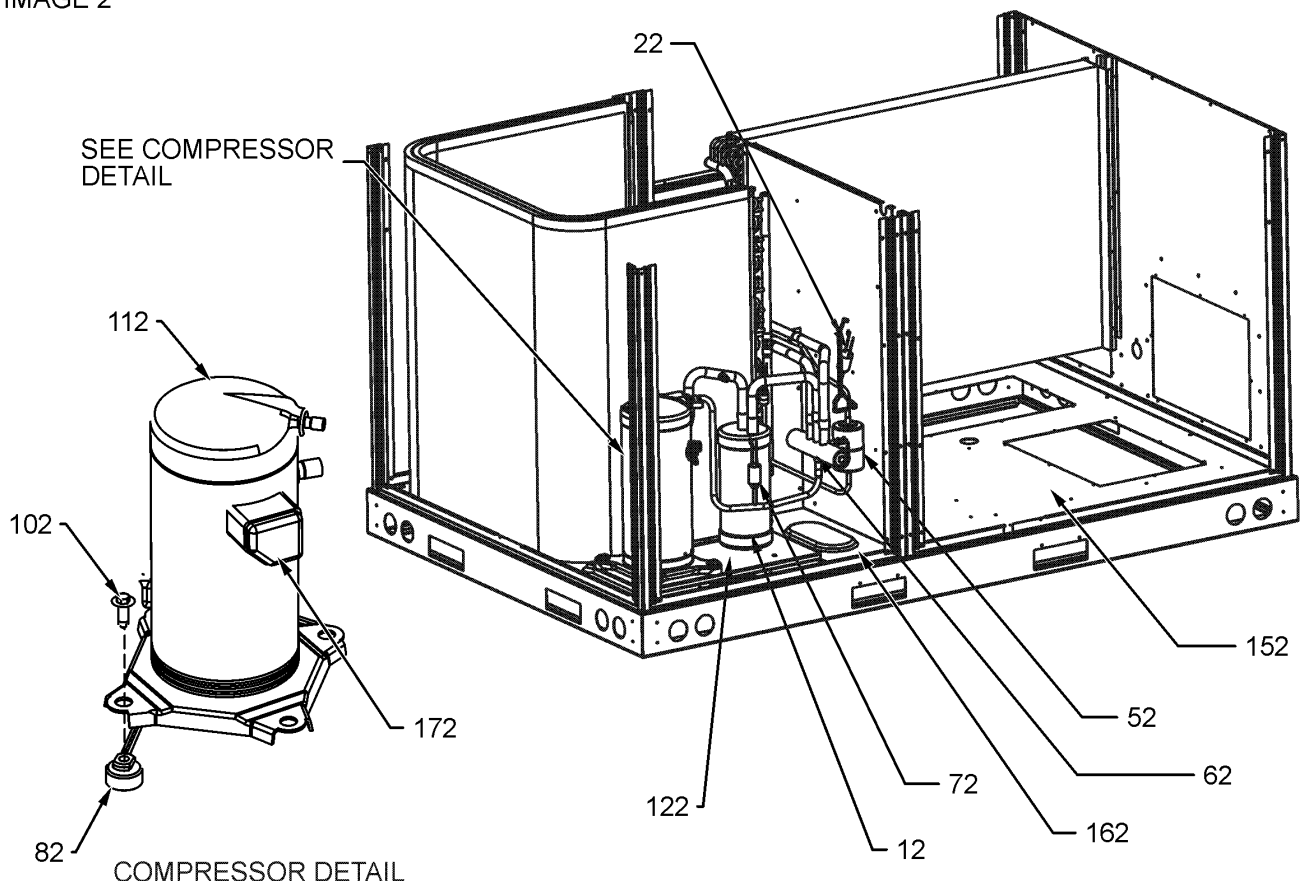


IMAGE 2



Top Panel & Tubing Assembly

Ref. Part No: No:	Description:	Ref. Part No: No:	Description:
-------------------	--------------	-------------------	--------------

Image 1:

11	0121L00235NG	TOP PANEL
21	0131M00429	COND MOTOR 1/4 HP, 1 SP,6 PL (M1, M2, M3, M10, M11, M12, M13, M14)
21	B13400269	COND MOTOR 380/460 50/60 CYCLE (M5)
21	0131M00432	COND MOTOR 380/460/50/60 CYCLE (M4, M6, M7, M15, M16)
21	0131M00098	COND MOTOR 575V (M8)
21	0131M00431	COND MOTOR 575V (M9)
31	0163M00006P	ACORN NUT 5/16 HEX BLACK (QTY 4)
41	0152G00003	FAN GRILLE
51	17788000083F	PVC CONDUIT 8.25"
61	0150G00004	FAN BLADE
71	0161L00000	VENTURI RING 22"
NS	0163M00004	SCREW #10X3/4", BLACK (QTY 3)
NS	0163M00005P	WASHER, BLACK (.50 OD .218ID) (QTY 4)

Image 2:

12	B1226207	ACCUMULATOR .875
22	0130M00075	CUT-OUT SWITCH, LOW PRESSURE
52	B1219204	BI-FLOW FILTER DRIER
62	0151R00071	REVERSING VALVE
72	0130M00074	CUT-OUT SWITCH, HIGH PRESSURE
82	B1339533	COMPRESSOR GROMMET (QTY 4)
102	M0221641	TF SHOULDER SCREW (QTY 4)
112	ZP39K5ETF5130	COMPRESSOR 39000, 200/230/60/3 (M1, M2, M3, M10, M11, M12, M13, M14)
112	ZP39K5ETFD130	COMPRESSOR 39000, 460/60/3 (M4, M5, M6, M7, M15, M16)
112	ZP39K5ETFE130	COMPRESSOR 39000, 575/60/3 (M8, M9)
122	0121L01308	MOUNTING PLATE-COMPRESSOR
152	0121L00943	BASE PAN-INDOOR
162	0121L01307	BASE PAN-OUTDOOR
172	0159L00065	COMPRESSOR SCROLL HARNESS
NS	B1373315	ACCESS FITTING (QTY 2)
NS	0163M00175	CAP WITH O-RING (QTY 2)
NS	B1225022	SOLENOID COIL

Expanded Model Nomenclature

M1 - DCH048XXX3BXXCAA
M2 - DCH048XXX3BXXXAA
M3 - DCH048XXX3BXXXAB
M4 - DCH048XXX4BXXEAC
M5 - DCH048XXX4BXXXAA
M6 - DCH048XXX4BXXXAB
M7 - DCH048XXX4BXXXAC
M8 - DCH048XXX7BXXXAA
M9 - DCH048XXX7BXXXAB
M10 - DCH0480103BAXCAB
M11 - DCH0480103BAXFAA
M12 - DCH0480103BXXCAB
M13 - DCH0480103BXXFAA
M14 - DCH0480153BHXBAA
M15 - DCH0480184BHXFAC
M16 - DCH0480184BXXBAC

Cabinet Assembly

IMAGE 1

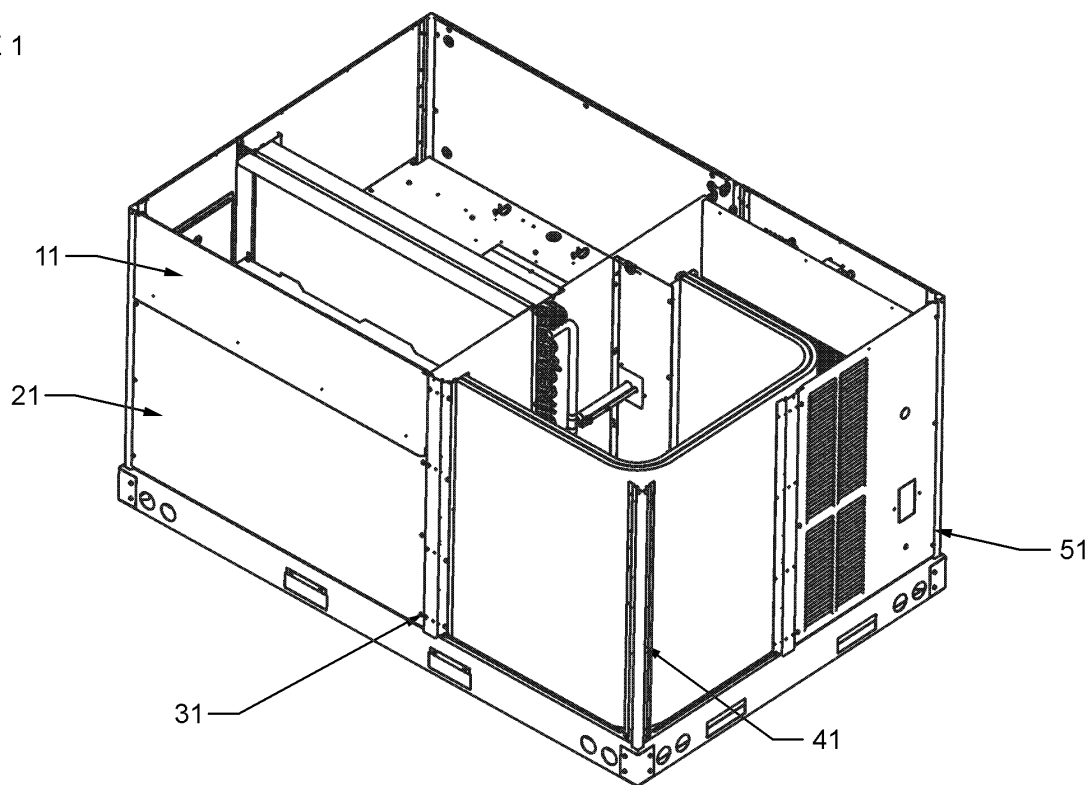
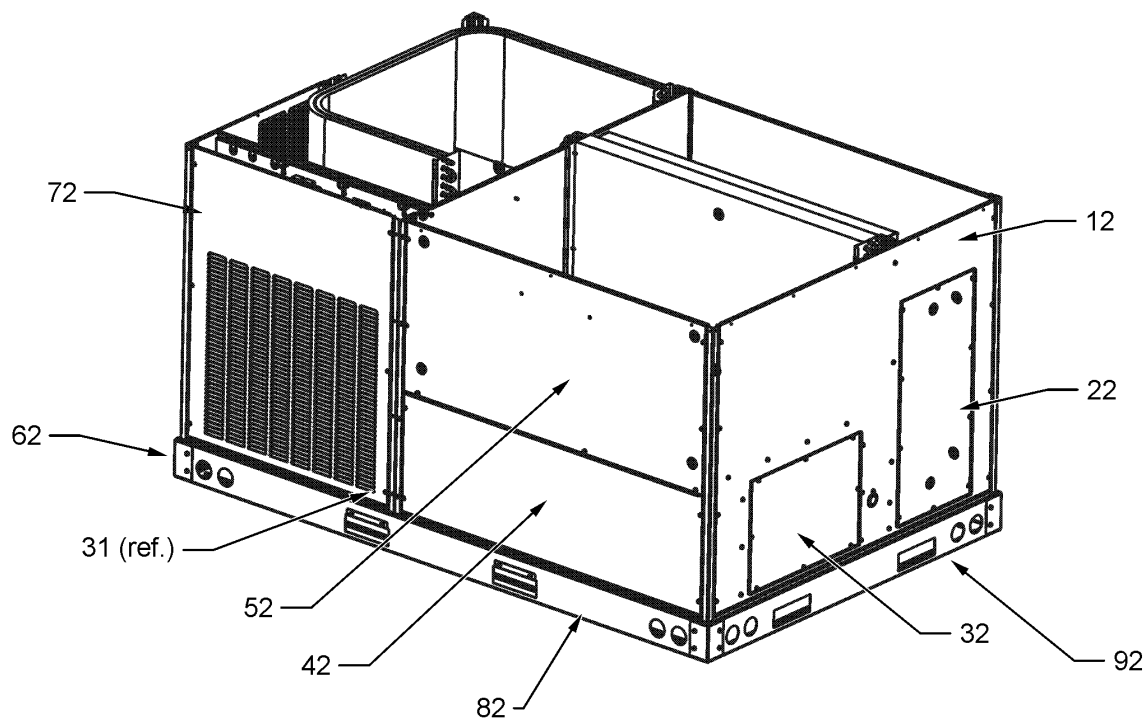


IMAGE 2



Cabinet Assembly

Ref. Part No:	Part No:	Description:	Ref. Part No:	Part No:	Description:
---------------	----------	--------------	---------------	----------	--------------

Image 1:

11	0270L00362NG	FILTER DOOR
21	0121L00976NG	ECONOMIZER DOOR (M1, M2, M3, M4, M5, M6, M7, M8, M9, M12, M13, M14, M15, M16)
31	0121L00233RFNG	POST-SIDE SUPPORT (QTY 3)
31	0121L01159RFNG	RF, Post-Side, Painted 3-5Ton (M3, M4, M7, M9, M10, M12, M15, M16)
41	0121L00237RFNG	CORNER POST (QTY 4)
51	0121L00263NG	LOUVERED COMPRESSOR PANEL (M1, M2, M3, M4, M5, M6, M7, M8, M9, M10, M11, M12, M13, M16)
51	0121L00836NG	LOUVERED COMPRESSOR PANEL (M14, M15)
NS	0121L01309	ECONOMIZER COVER (M10, M11)
NS	0164L00009	GASKET-RUBBER, CPOST (QTY 3)
NS	0164L00011	GASKET-RUBBER, SIDE POST (QTY 2)

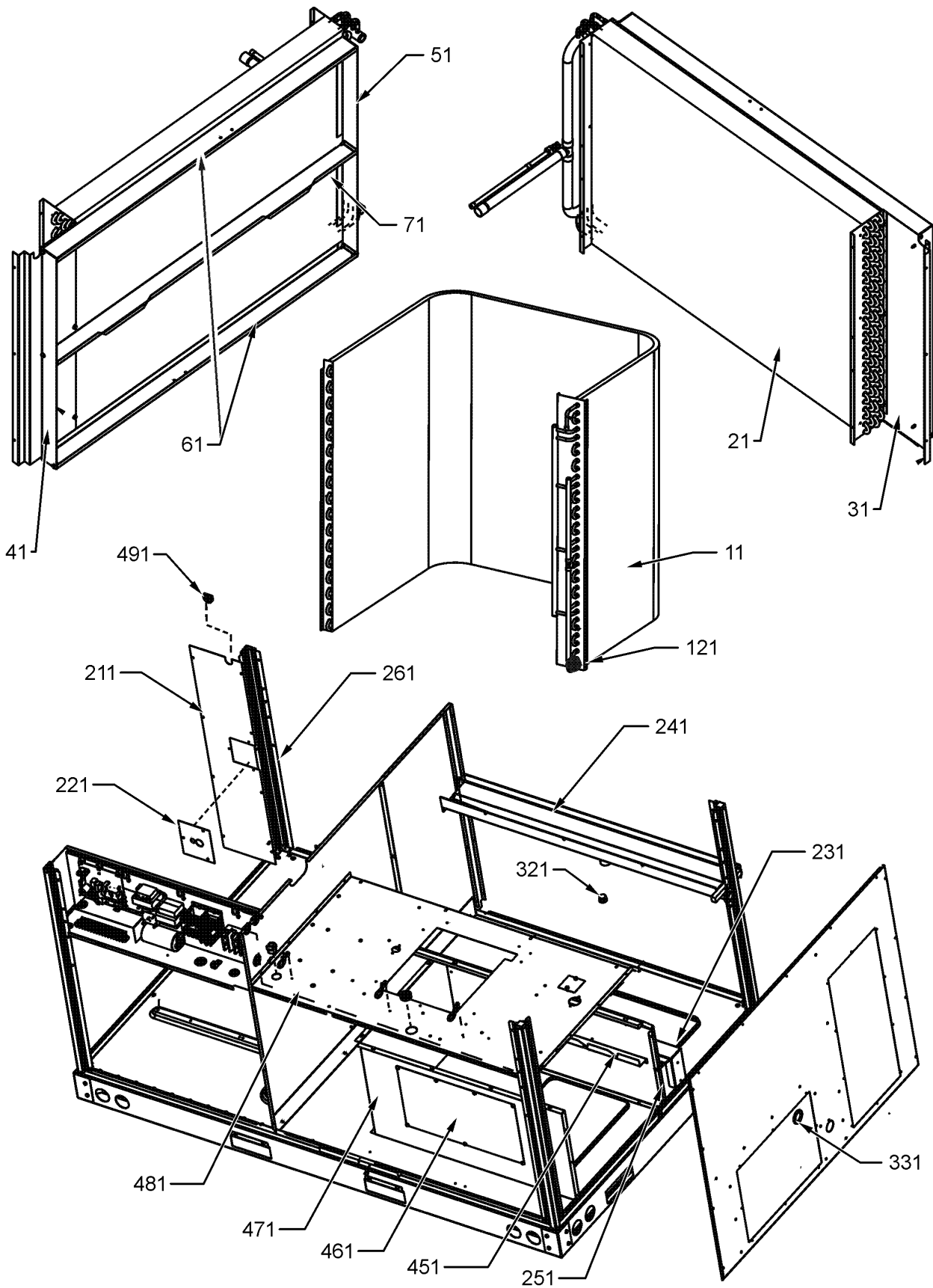
Image 2:

12	0121L00236NG	DUCT PANEL
22	0121L00023NG	RETURN DUCT COVER
32	0121L00024NG	SUPPLY DUCT COVER
42	0121L00279NG	ELECTRIC HEAT DOOR (M1, M2, M5, M6, M8, M11, M13, M14)
42	0121L01176NG	ELECTRIC HEAT DOOR (M3, M4, M7, M9, M10, M12, M15, M16)
52	0121L00259NG	BLOWER DOOR (M1, M2, M5, M6, M8, M11, M13, M14)
52	0121L01157NG	BLOWER DOOR (M3, M4, M7, M9, M10, M12, M15, M16)
62	0121G00301	RAIL CORNER BRACKET (QTY 4)
72	0121L00262NG	LOUVERED CONTROL PANEL (M1, M2, M5, M6, M8, M11, M13, M14)
72	0121L01121NG	LOUVERED CONTROL PANEL (M3, M4, M7, M9, M10, M12, M15, M16)
82	0121L00244RF	SIDE RAIL (QTY 2)
92	0121L00245	END RAIL (QTY 2)

Expanded Model Nomenclature

M1 - DCH048XXX3BXXCAA
M2 - DCH048XXX3BXXXAA
M3 - DCH048XXX3BXXXAB
M4 - DCH048XXX4BXXEAC
M5 - DCH048XXX4BXXXAA
M6 - DCH048XXX4BXXXAB
M7 - DCH048XXX4BXXXAC
M8 - DCH048XXX7BXXXAA
M9 - DCH048XXX7BXXXAB
M10 - DCH0480103BAXCAB
M11 - DCH0480103BAXFAA
M12 - DCH0480103BXXCAB
M13 - DCH0480103BXXFAA
M14 - DCH0480153BHXBAA
M15 - DCH0480184BHXFAC
M16 - DCH0480184BXXBAC

Condenser/Evaporator/Partition Assembly



Condenser/Evaporator/Partition Assembly

Ref. Part No: No:	Description:	Ref. Part No: No:	Description:
-------------------	--------------	-------------------	--------------

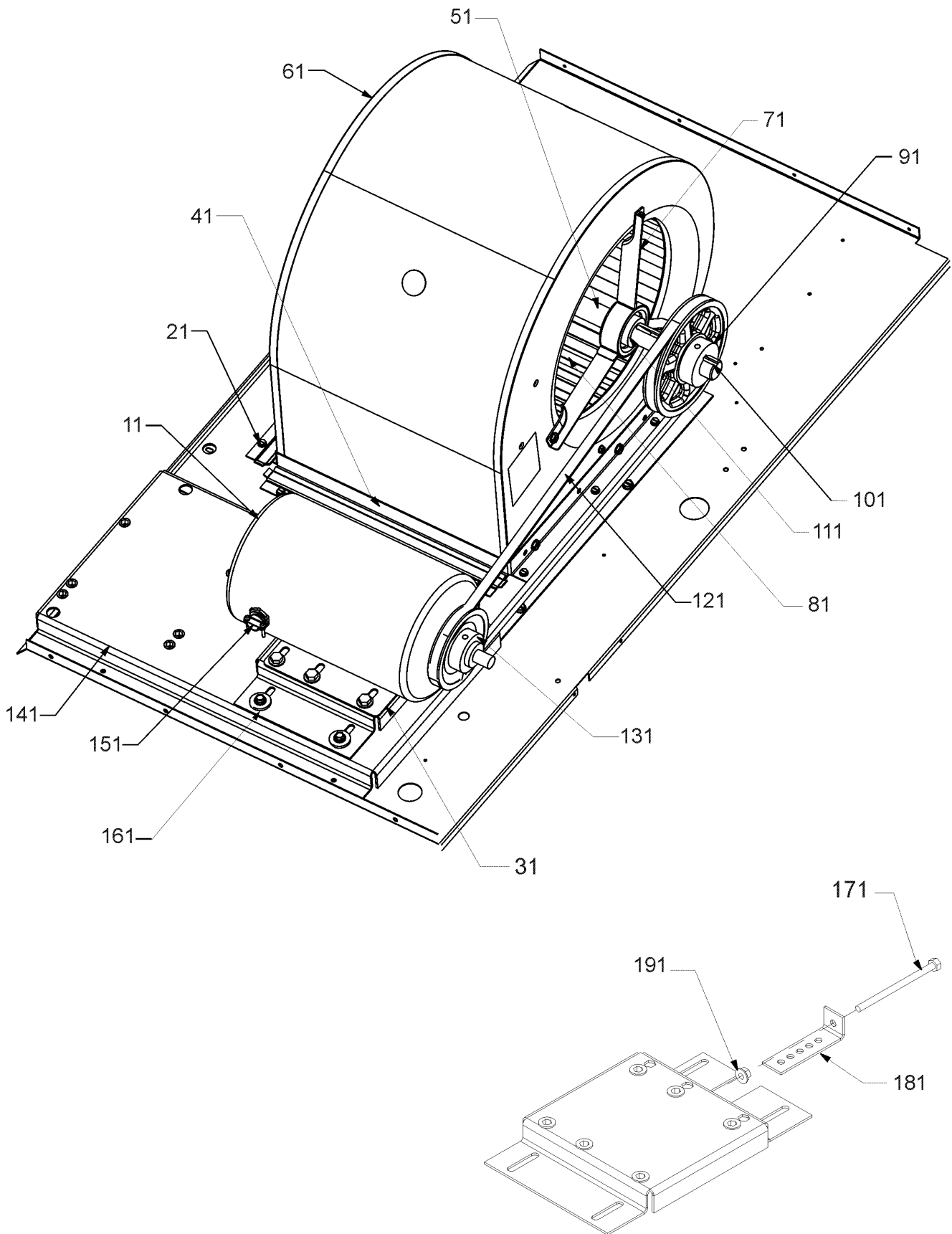
Image 1:

11	0201L00040	TUBING ASSY, COND COIL
21	0202L00029	TUBING ASSY, EVAP COIL
31	0121L00313	BLOCKOFF-EVAPORATOR
41	0121L00303	FILTER ANGLE-VERTICAL (HAIRPIN SIDE)
51	0121L00287	FILTER ANGLE-VERTICAL (RETURN SIDE)
61	0121L00932	FILTER ANGLE-HORIZONTAL (QTY 2)
71	0121L01255	ANGLE-FILTER CENTER
121	0130M00100	DEFROST CONTROL
211	0121L00311	COND BLOCK-OFF
221	0121L00939	CONDENSER BLOCKOFF PLATE
231	0121L00238	DRAIN PAN SUPPORT
241	0161L00005	DRAIN PAN
251	0121L00243	DECK SIDE CHANNEL
261	0121L00254	COND MOUNTING ANGLE
321	0163L00071	DRAIN PLUG
331	0154L00009	DRAIN PAN GASKET
451	0121L00288	ELECTRIC HEAT RETAINER
461	0121L00144	ELECTRIC HEAT COVER
471	0121L00256	ELECTRIC HEAT PANEL
481	0121L01205	BLOWER DECK (M1, M2, M5, M6, M8, M11, M13, M14)
481	0121L01442	BLOWER DECK (M3, M4, M7, M9, M10, M12, M15, M16)
491	A4568804	GROMMET-D (QTY 4)
NS	0160L00173	AIR FILTER 14 X 20 X 2 (QTY 4)
NS	0121L00321	SMOKE DETECTOR COVER

Expanded Model Nomenclature

M1 - DCH048XXX3BXXCAA
M2 - DCH048XXX3BXXXAA
M3 - DCH048XXX3BXXXAB
M4 - DCH048XXX4BXXEAC
M5 - DCH048XXX4BXXXAA
M6 - DCH048XXX4BXXXAB
M7 - DCH048XXX4BXXXAC
M8 - DCH048XXX7BXXXAA
M9 - DCH048XXX7BXXXAB
M10 - DCH0480103BAXCAB
M11 - DCH0480103BAXFAA
M12 - DCH0480103BXXCAB
M13 - DCH0480103BXXFAA
M14 - DCH0480153BHXBAA
M15 - DCH0480184BHXFAC
M16 - DCH0480184BXXBAC

Blower Assembly



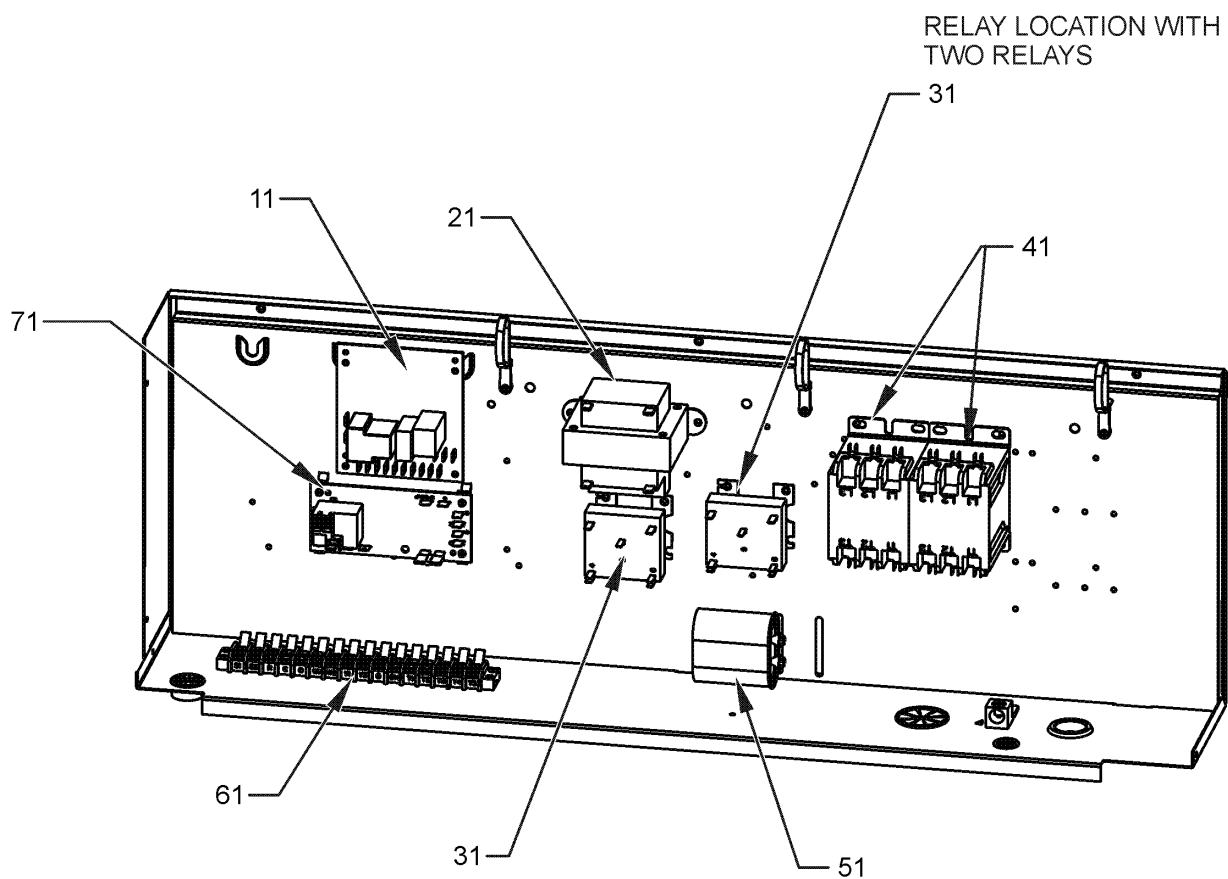
Blower Assembly

Ref. Part No: No:	Description:	Ref. Part No: No:	Description:
<i>Image 1:</i>			
11 0131L00003	BELT DRIVE MOTOR 1 HP (M1, M2, M3, M4, M5, M6, M7, M10, M11, M12, M13, M14, M15, M16)		
11 0131L00004	BELT DRIVE MOTOR 1.5 HP 575V (M8, M9)		
21 0121L00297	BLOWER SIDE ANGLE (QTY 3)		
31 0121L00899	MOTOR BASE		
41 0121L00281	BLOWER MOUNTING ANGLE		
51 0163L00005	BELT DRIVE BLOWER SHAFT		
61 2539302F	BLOWER HOUSING 11 X 10		
71 B3201300	MOUNTING BRACKET BEARING (QTY 2)		
81 B1368056	BELT DRIVE BLOWER WHEEL		
91 0163L00135	SHEAVE, FIXED AK66H		
101 B1398604	STEEL KEY (000158812) 2.0"		
111 B1399500	BALL BEARING 1.00" (QTY 2)		
121 0164L00010	FAN BELT, NOTCHED		
131 B2120001	VARIABLE PITCH SHEAVE 1VL44 X 3/8"		
141 0121L01203	BLOWER PLATE SUPPORT		
151 B1393726	ELECT. CONNECTING BUSHING		
161 B1393738	BOLT 1/4-20 X 3/4" (QTY 8)		
171 0163M00045	BOLT 1/4-20 X 4"		
181 3225000F	BELT TIGHTENER ANGLE		
191 B1393023	NUT / LOCK .25-20		
NS 1864703F	BLOWER CUT-OFF		
NS B1398603	STEEL KEY (000158812) 4.5"		

Expanded Model Nomenclature

- M1 - DCH048XXX3BXXCAA
- M2 - DCH048XXX3BXXXAA
- M3 - DCH048XXX3BXXXAB
- M4 - DCH048XXX4BXXEAC
- M5 - DCH048XXX4BXXXAA
- M6 - DCH048XXX4BXXXAB
- M7 - DCH048XXX4BXXXAC
- M8 - DCH048XXX7BXXXAA
- M9 - DCH048XXX7BXXXAB
- M10 - DCH0480103BAXCAB
- M11 - DCH0480103BAXFAA
- M12 - DCH0480103BXXCAB
- M13 - DCH0480103BXXFAA
- M14 - DCH0480153BHXBAA
- M15 - DCH0480184BHXFAC
- M16 - DCH0480184BXXBAC

Control Box Assembly



Control Box Assembly

Ref. Part No:	Ref. Part No:	Description:	Description:
Image 1:			
11	PCBDM133	DEFROST CONTROL BOARD	
21	0130M00144	TRANSFORMER (M3, M10, M12)	
21	0130M00138	TRANSFORMER 208/230, 24V (M1, M2, M11, M13, M14)	
21	0130M00145	TRANSFORMER 480V to 24V, 75VA (M4, M5, M6, M7, M15, M16)	
21	0130M00148	TRANSFORMER 575V to 24V, 75VA (M8, M9)	
31	0130M00025	24V RELAY (M4, M5, M6, M7, M8, M9, M15, M16)	
41	CONT3P025024V	CONTACTOR 25 AMP, 3P, 24V (M4, M5, M6, M7, M8, M9, M15, M16)	
41	CONT3P030024V	CONTACTOR 30 AMP, 3P, 24V (M1, M2, M3, M10, M11, M12, M13, M14)	
51	CAP030000440LA	CAPACITOR 3/440V (M9)	
51	CAP050000370LA	CAPACITOR 5/370V (M1, M2, M5, M8, M11, M13, M14)	
51	CAP050000440LA	CAPACITOR 5/440V (M3, M10, M12)	
51	CAP075000370LA	CAPACITOR 7.5/370V (M4, M6, M7, M15, M16)	
61	0130M00038	TERMINAL BOARD	
71	PCBFM103	ELECTRONIC BLOWER TIME DELAY	
NS	20520901	CAPACITOR STRAP	
NS	0259L00077	DEFROST HARNESS (M1, M2, M3, M10, M11, M12, M13, M14)	
NS	0259L00078	DEFROST HARNESS (M4, M5, M6, M7, M8, M9, M15, M16)	
NS	0259L00178	HARNESS, ECONOMIZER	
NS	0259L00122	WIRE HARNESS, CONTROL	
NS	0259L00061	WIRING HARNESS	
NS	0259L00065	WIRING HARNESS	
NS	0259L00070	WIRING HARNESS (M1, M2, M3, M8, M9, M10, M11, M12, M13, M14)	
NS	0259L00071	WIRING HARNESS (M4, M5, M6, M7, M15, M16)	

Expanded Model Nomenclature

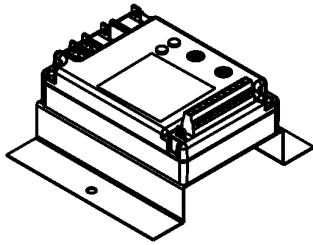
M1 - DCH048XXX3BXXCAA
M2 - DCH048XXX3BXXXAA
M3 - DCH048XXX3BXXXAB
M4 - DCH048XXX4BXXEAC
M5 - DCH048XXX4BXXXAA
M6 - DCH048XXX4BXXXAB
M7 - DCH048XXX4BXXXAC
M8 - DCH048XXX7BXXXAA
M9 - DCH048XXX7BXXXAB
M10 - DCH0480103BAXCAB
M11 - DCH0480103BAXFAA
M12 - DCH0480103BXXCAB
M13 - DCH0480103BXXFAA
M14 - DCH0480153BHXBAA
M15 - DCH0480184BHXFAC
M16 - DCH0480184BXXBAC

Accessory Parts List

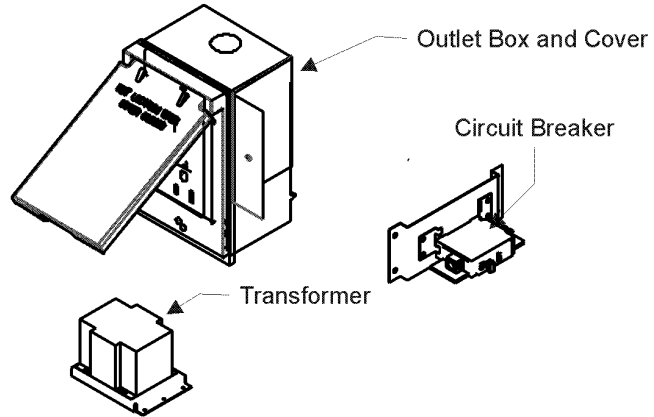
ACCESSORY PARTS LIST

NOTE: NOT ALL OPTIONS AVAILABLE FOR ALL PRODUCTS

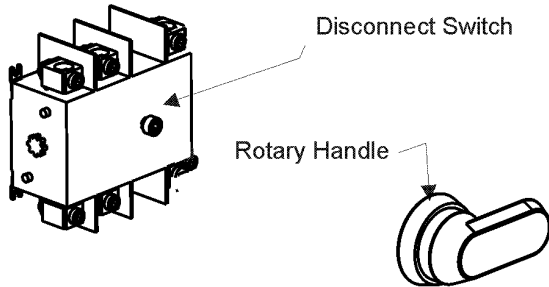
1 LOW AMBIENT KITS



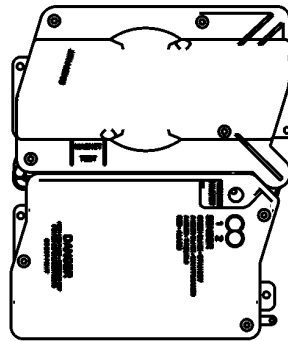
2 GFCI CONVENIENCE OUTLET



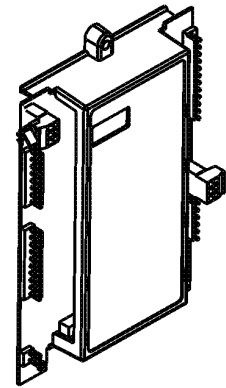
3 DISCONNECT MODULE (NON-FUSED)



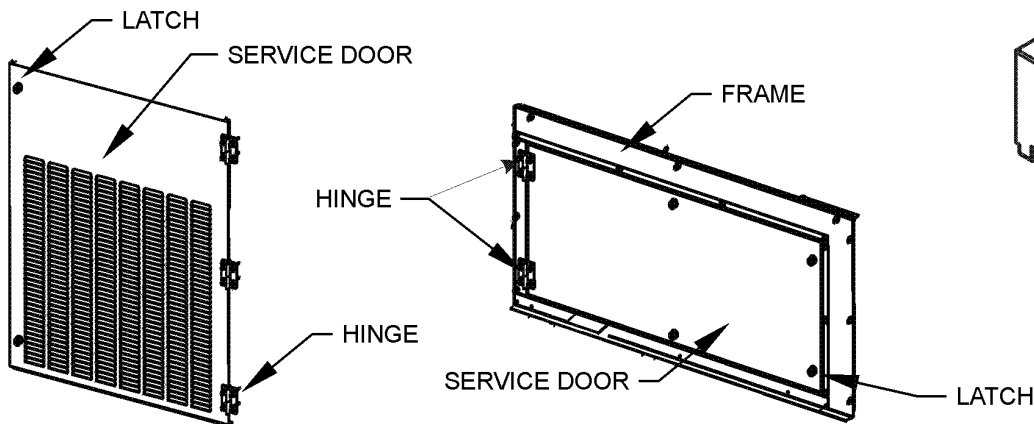
4 SMOKE DETECTORS



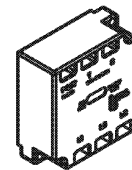
5 DDC CONTROL



6 HINGED DOOR ASSEMBLIES



7 PHASE MONITOR



Accessory Parts List

Ref. Part No:	Part No:	Description:	Ref. Part No:	Part No:	Description:
Image 1:					
NS	0121L01934	BRACKET SMOKE DETECTOR (M4)			
NS	0121L00316	BRACKET-CONV OUTLET MOUNT (M11, M13, M14, M15, M16)			
NS	0130M00065	CIRCUIT BREAKER, CONVENIENCE OUTLET (M14, M16)			
NS	0121L00837NG	DISCONNECT COVER (M14, M15)			
NS	0130L00012	GANG BOX-GFCI OUTLET (M11, M13, M14, M15, M16)			
NS	0130L00039	HANDLE, ROTARY (M14, M15)			
NS	LAKT03	LOW AMBIENT KIT (M1, M10, M11, M12, M13, M15)			
NS	0161G00012	POWER OUTLET BOX (M11, M13, M14, M15, M16)			
NS	0130L00103	RECEPTACLE-GFCI OUTLET (M11, M13, M14, M15, M16)			
NS	0130L00042	SHAFT, CUT (M15)			
NS	0130L00049	SHAFT, DISCONNECT (M14, M15)			
NS	D4120	SMOKE DETECTOR, PHOTO 4WIRE (M4)			
NS	0130L00027	SWITCH-DISCONNECT 100A (M14)			
NS	0130L00046	SWITCH-DISCONNECT 60A (M15)			
NS	0130M00061	TRANSFORMER, CONVENIENCE OUTLET (M14, M16)			

Expanded Model Nomenclature

- M1 - DCH048XXX3BXXCAA
- M2 - DCH048XXX3BXXXAA
- M3 - DCH048XXX3BXXXAB
- M4 - DCH048XXX4BXXEAC
- M5 - DCH048XXX4BXXXAA
- M6 - DCH048XXX4BXXXAB
- M7 - DCH048XXX4BXXXAC
- M8 - DCH048XXX7BXXXAA
- M9 - DCH048XXX7BXXXAB
- M10 - DCH0480103BAXCAB
- M11 - DCH0480103BAXFAA
- M12 - DCH0480103BXXCAB
- M13 - DCH0480103BXXFAA
- M14 - DCH0480153BHXBAA
- M15 - DCH0480184BHXFAC
- M16 - DCH0480184BXXBAC