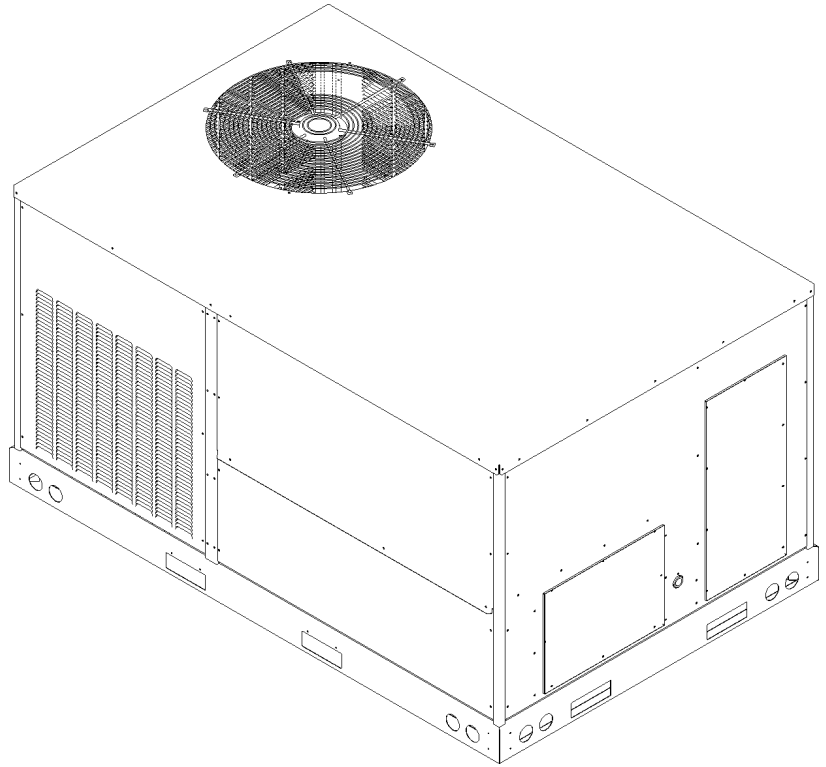


Commercial 4 Ton Direct Drive Package Heat Pump

DCH0480153DHXXAA
DCH048XXX1DXXXAA
DCH048XXX1DXXXAB
DCH048XXX3DXXXAA
DCH048XXX3DXXXAB
DCH048XXX6DXXXAC
DCH048XXX6DXXXAD



This manual is to be used by qualified technicians only.

This manual replaces RP-D1030C.

© 2017 - 2018 **DAIKIN COMPANY, L.P.** ♦ 5151 San Felipe St., Suite 500 ♦ Houston, TX 77056

Important Information

Index

Functional Parts List	3
Illustration and Parts	4 - 15

Views shown are for parts illustrations only, not servicing procedures.

Text Codes:

AR - As Required

NA - Not Available

NS - Not Shown

00000000 - See Note

QTY - Quantity Example (QTY 3) (If Quantity not shown, Quantity = 1)

M - Model Example (M1) (If M Code not shown, then part is used on all Models)

Expanded Model Nomenclature:

Example
M1 - Model#1
M2 - Model#2
M3 - Model#3

Daikin Company, L.P. is not responsible for personal injury or property damage resulting from improper service. Review all service information before beginning repairs.

Warranty service must be performed by an authorized technician, using authorized factory parts. If service is required after the warranty expires, Daikin Company, L.P. also recommends contacting an authorized technician and using authorized factory parts.

Daikin Company, L.P. reserves the right to discontinue, or change at any time, specifications or designs without notice or without incurring obligations.

For assistance within the U.S.A. contact:

Equipment Support
Daikin North America, LLC
19001 Kermier Road
Waller, Texas 77484
855-770-5678-Telephone
713-863-2382-Facsimile

For assistance outside the U.S.A. contact:

International Division
Daikin North America, LLC
19001 Kermier Road
Waller, Texas 77484
713-861-2500-Telephone
713-863-2382-Facsimile

Functional Parts

Part

No: Description:

0130M00025	24V RELAY (M1, M2, M3, M4, M7)
B1226207	ACCUMULATOR .875
0131M00127	BLOWER MOTOR (M1, M2, M3, M4, M7)
D6723303	BLOWER WHEEL (M1, M2, M3, M4, M7)
B1368000	BLOWER WHEEL 11 X 10 (M5, M6)
CAP150000370LA	CAPACITOR 15/370V (M1, M2, M3, M4, M7)
CAP050000370LA	CAPACITOR 5/370V (M3, M4, M5, M6, M7)
CAP050450440CT	CAPACITOR 5/45/440V/DUAL RD (M1, M2)
ZP39K5ETF5130	COMPRESSOR 39000, 200/230/60/3 (M3, M4, M7)
ZP39K5EPFV130	COMPRESSOR 39000, 208/230/60/1 (M1, M2)
ZP39K5ETF7130	COMPRESSOR, COPELAND (M5, M6)
CONT3P025024V	CONTACTOR 25 AMP, 3P, 24V (M3, M4, M7)
CONT1P030024V	CONTACTOR 30 AMP, 1P, 24V (M1, M2)
CONT2P040024V	CONTACTOR 40 AMP, 2P, 24V (M5, M6)
0130M00074	CUT-OUT SWITCH, HIGH PRESSURE (M1, M2, M3, M4, M5, M7)
0130M00412	CUT-OUT SWITCH, HIGH PRESSURE (M6)
0130M00075	CUT-OUT SWITCH, LOW PRESSURE
0130M00100	DEFROST CONTROL
PCBDM133	DEFROST CONTROL BOARD
PCBFM103	ELECTRONIC BLOWER TIME DELAY (M1, M2, M3, M4, M7)
0131M00847	MOTOR, 1/4 HP, 1 SP, 6 PL (M1, M2, M3, M4, M7)
0131M00641	MOTOR, 380/460 50/60 CYCLE (M5, M6)
0131M00712	MOTOR, HP SELECTECH (M5, M6)
0130L00105	PHASE MONITOR (M6)
0151R00071	REVERSING VALVE
B1225022	SOLENOID COIL
0130M00038	TERMINAL BOARD
0130M00144	TRANSFORMER (M2, M4)
0130M00138	TRANSFORMER 208/230, 24V (M1, M3, M7)
0130M00081	TRANSFORMER, 380/415V-24V,75VA (M5, M6)

Expanded Model Nomenclature

M1 - DCH048XXX1DXXXAA
M2 - DCH048XXX1DXXXAB
M3 - DCH048XXX3DXXXAA
M4 - DCH048XXX3DXXXAB
M5 - DCH048XXX6DXXXAC
M6 - DCH048XXX6DXXXAD
M7 - DCH0480153DHXXAA

TOP PANEL AND TUBING ASSEMBLY

IMAGE 1

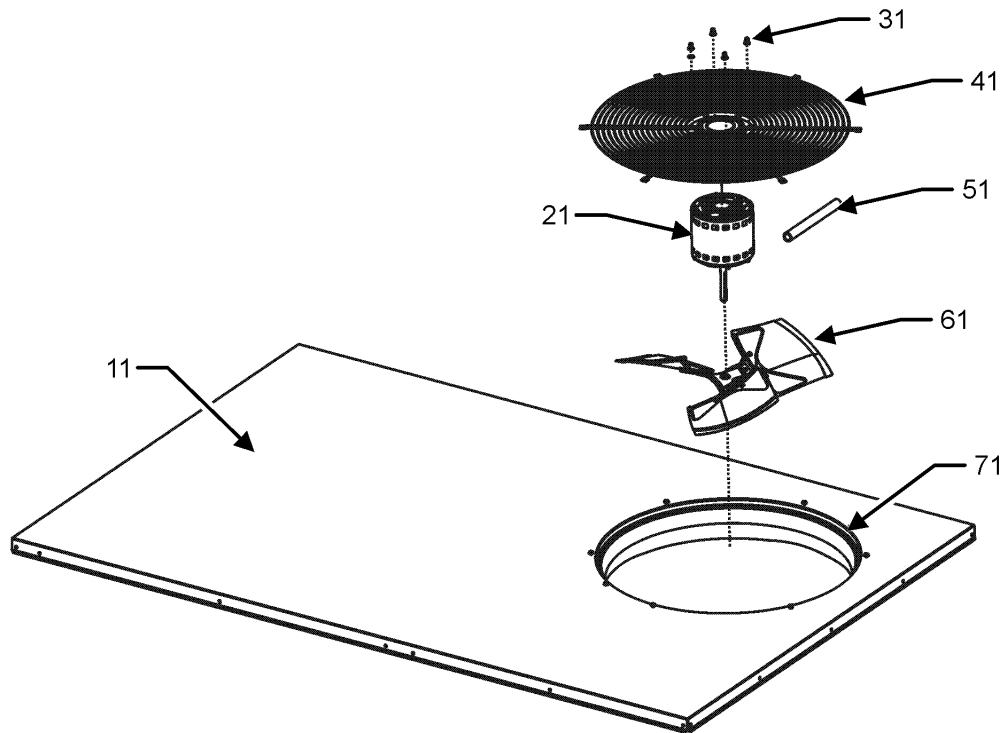
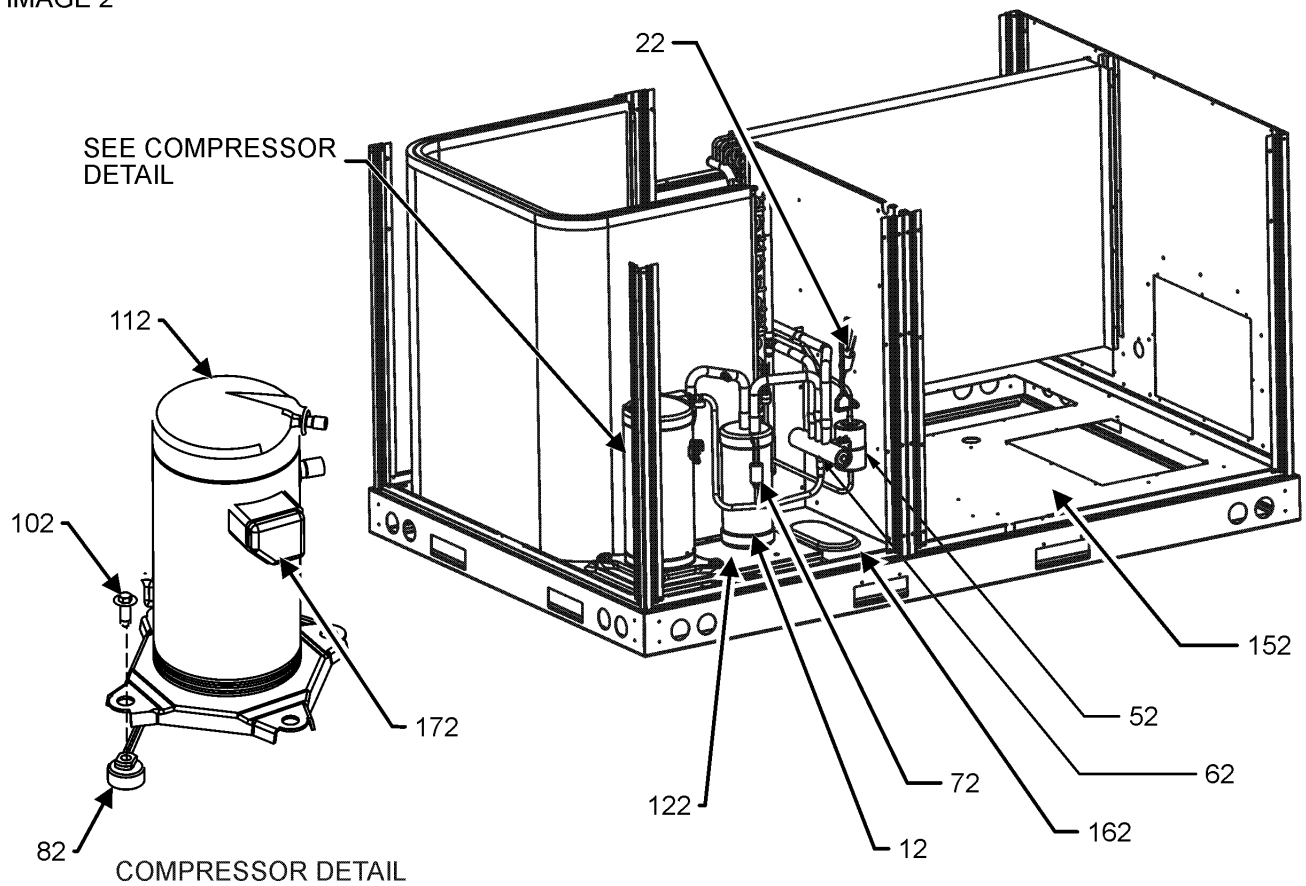


IMAGE 2



TOP PANEL AND TUBING ASSEMBLY

Ref. Part No: No:	Description:	Ref. Part No: No:	Description:
-------------------	--------------	-------------------	--------------

Image 1:

11	0121L00235NG	TOP PANEL
21	0131M00847	MOTOR, 1/4 HP, 1 SP, 6 PL (M1, M2, M3, M4, M7)
21	0131M00641	MOTOR, 380/460 50/60 CYCLE (M5, M6)
31	0163M00006P	ACORN NUT 5/16 HEX BLACK (QTY 4)
41	0152G00003	FAN GRILLE
51	17788000083F	PVC CONDUIT 8.25"
61	0150G00004	FAN BLADE
71	0161L00000	VENTURI RING 22"
NS	0163M00004	SCREW #10X3/4", BLACK (QTY 18)
NS	0163M00005P	WASHER, BLACK (.50 OD .218ID) (QTY 4)

Image 2:

12	B1226207	ACCUMULATOR .875
22	0130M00075	CUT-OUT SWITCH, LOW PRESSURE
52	B1219204	BI-FLOW FILTER DRIER
62	0151R00071	REVERSING VALVE
72	0130M00074	CUT-OUT SWITCH, HIGH PRESSURE (M1, M2, M3, M4, M5, M7)
72	0130M00412	CUT-OUT SWITCH, HIGH PRESSURE (M6)
82	B1339533	COMPRESSOR GROMMET (QTY 4)
102	M0221641	TF SHOULDER SCREW (QTY 4)
112	ZP39K5ETF5130	COMPRESSOR 39000, 200/230/60/3 (M3, M4, M7)
112	ZP39K5EPFV130	COMPRESSOR 39000, 208/230/60/1 (M1, M2)
112	ZP39K5ETF7130	COMPRESSOR, COPELAND (M5, M6)
122	0121L01308	MOUNTING PLATE-COMPRESSOR
152	0121L02619	BASE PAN, INDOOR
162	0121L01990	BASE PAN, OUTDOOR
172	0159L00027	COMPRESSOR SCROLL HARNESS (M1, M2)
172	0159L00065	COMPRESSOR SCROLL HARNESS (M3, M4, M5, M6, M7)
NS	B1373315	ACCESS FITTING (QTY 2)
NS	0163M00175	CAP WITH O-RING (QTY 2)
NS	B1225022	SOLENOID COIL

Expanded Model Nomenclature

M1 - DCH048XXX1DXXXAA
M2 - DCH048XXX1DXXXAB
M3 - DCH048XXX3DXXXAA
M4 - DCH048XXX3DXXXAB
M5 - DCH048XXX6DXXXAC
M6 - DCH048XXX6DXXXAD
M7 - DCH0480153DHXXAA

CABINET ASSEMBLY

IMAGE 1

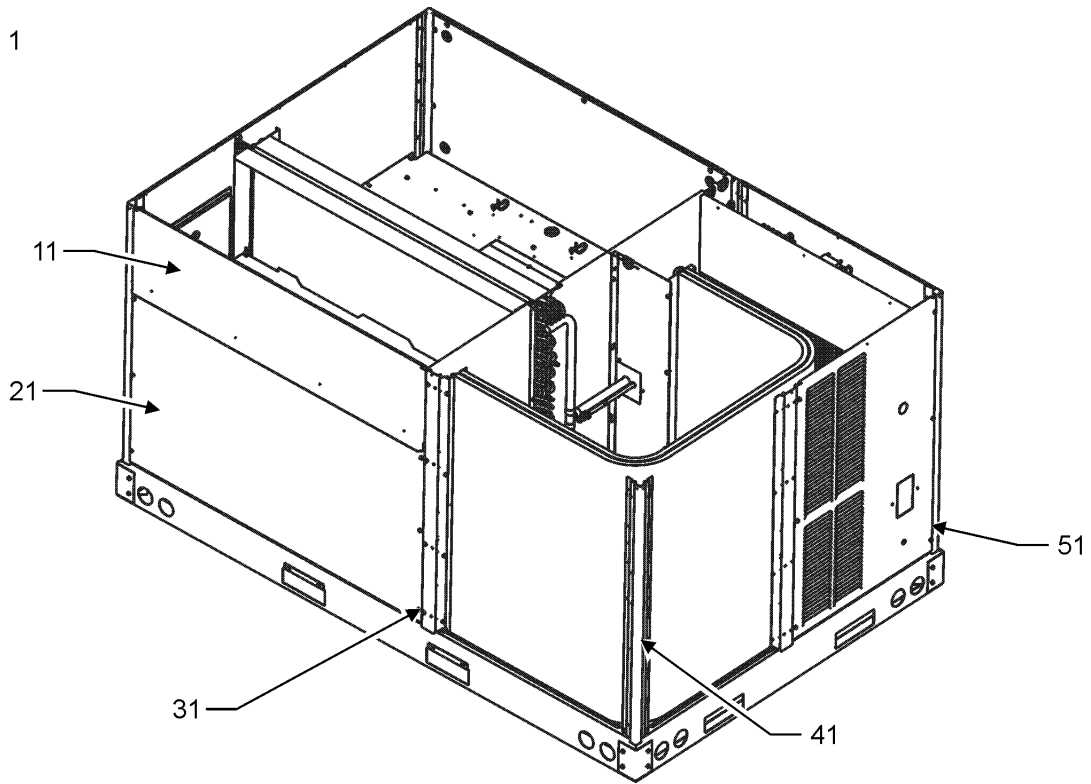
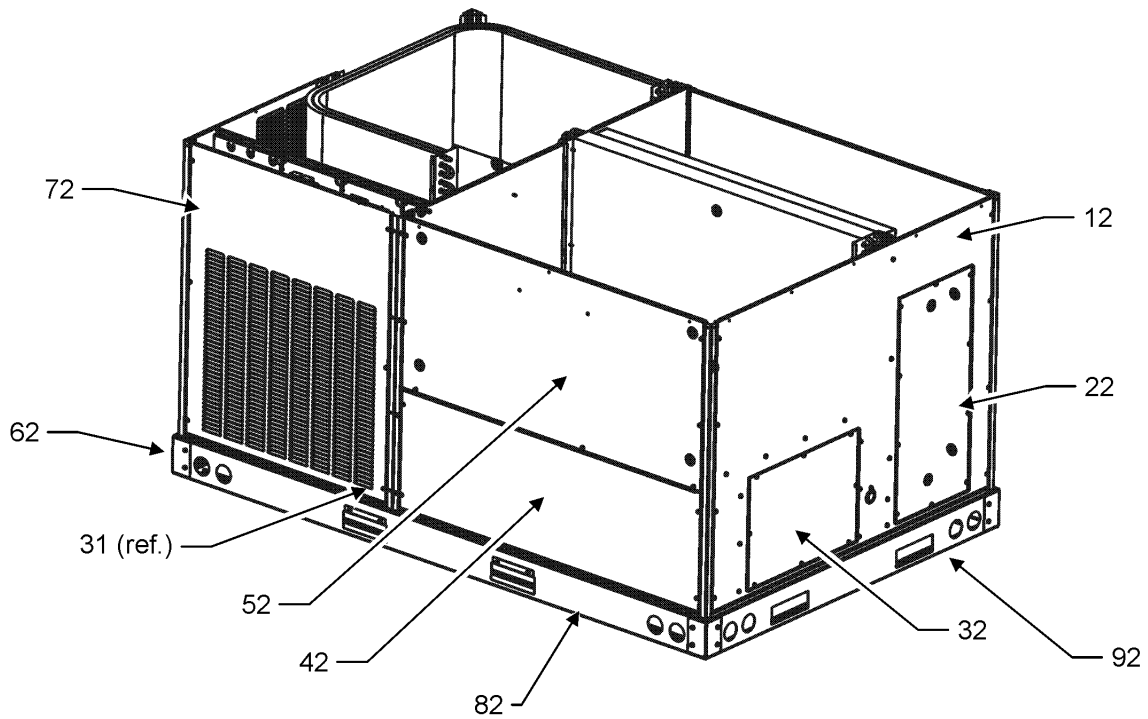


IMAGE 2



CABINET ASSEMBLY

Ref. Part No: No:	Description:	Ref. Part No: No:	Description:
-------------------	--------------	-------------------	--------------

Image 1:

11	0270L00362NG	FILTER DOOR
21	0121L00976NG	ECONOMIZER DOOR
31	0121L00233RFNG	POST-SIDE SUPPORT (QTY 3)
31	0121L01159RFNG	RF, Post-Side, Painted 3-5Ton (M2, M4, M5, M6)
41	0121L00237RFNG	CORNER POST (QTY 4)
51	0121L00263NG	LOUVERED COMPRESSOR PANEL (M1, M2, M3, M4, M5, M6)
51	0121L00836NG	LOUVERED COMPRESSOR PANEL (M7)
NS	0164L00009	GASKET-RUBBER, CPOST (QTY 3)
NS	0164L00011	GASKET-RUBBER, SIDE POST (QTY 2)

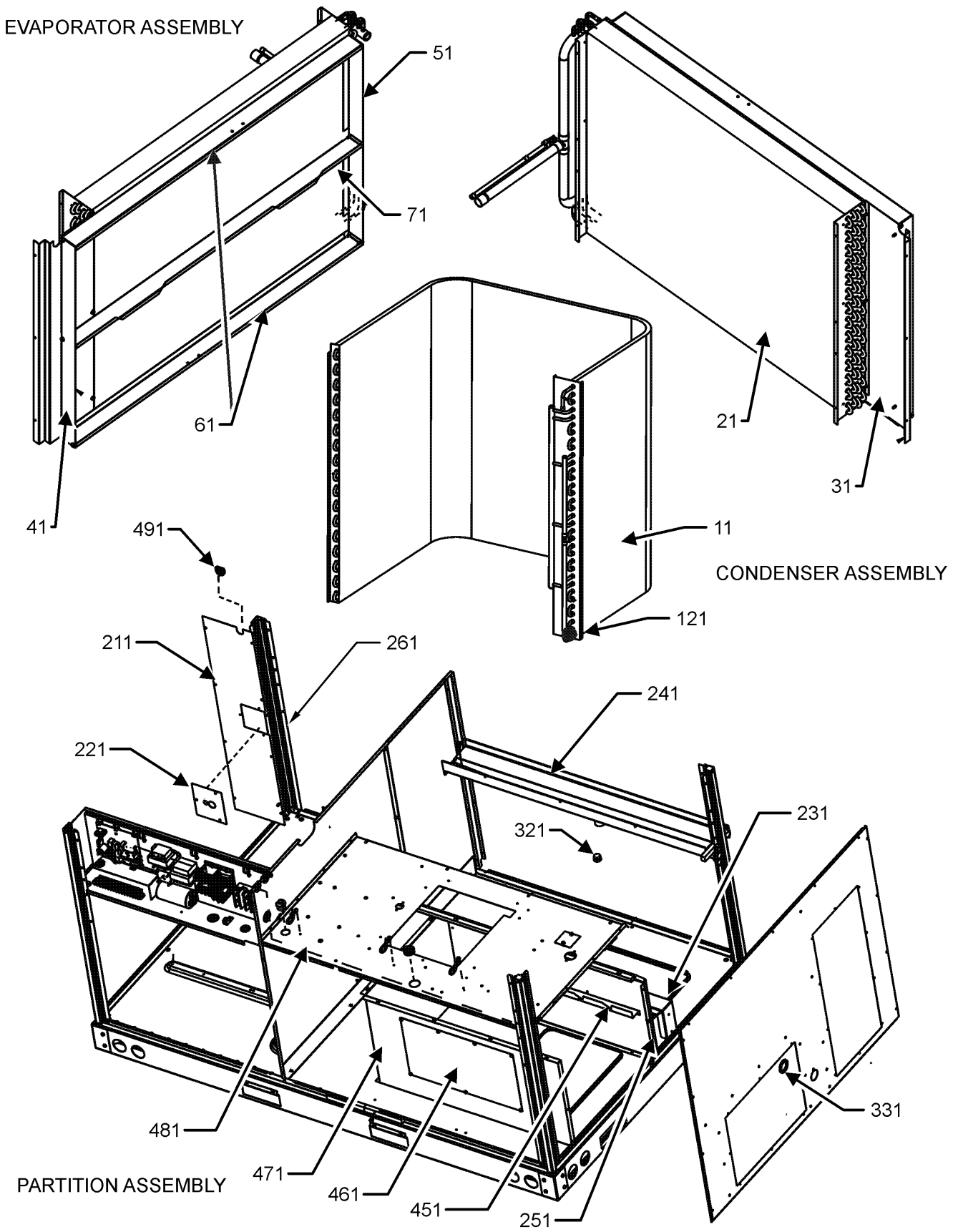
Image 2:

12	0121L00236NG	DUCT PANEL
22	0121L00023NG	RETURN DUCT COVER
32	0121L00024NG	SUPPLY DUCT COVER
42	0121L00279NG	ELECTRIC HEAT DOOR (M1, M3, M7)
42	0121L01176NG	ELECTRIC HEAT DOOR (M2, M4, M5, M6)
52	0121L00259NG	BLOWER DOOR (M1, M3, M7)
52	0121L01157NG	BLOWER DOOR (M2, M4, M5, M6)
62	0121G00301	RAIL CORNER BRACKET (QTY 4)
72	0121L00262NG	LOUVERED CONTROL PANEL (M1, M3, M7)
72	0121L01121NG	LOUVERED CONTROL PANEL (M2, M4, M5, M6)
82	0121L00244RF	SIDE RAIL (QTY 2)
92	0121L00245	END RAIL (QTY 2)

Expanded Model Nomenclature

M1 - DCH048XXX1DXXXAA
M2 - DCH048XXX1DXXXAB
M3 - DCH048XXX3DXXXAA
M4 - DCH048XXX3DXXXAB
M5 - DCH048XXX6DXXXAC
M6 - DCH048XXX6DXXXAD
M7 - DCH0480153DHXXAA

CONDENSER, EVAPORATOR & PARTITION ASSY



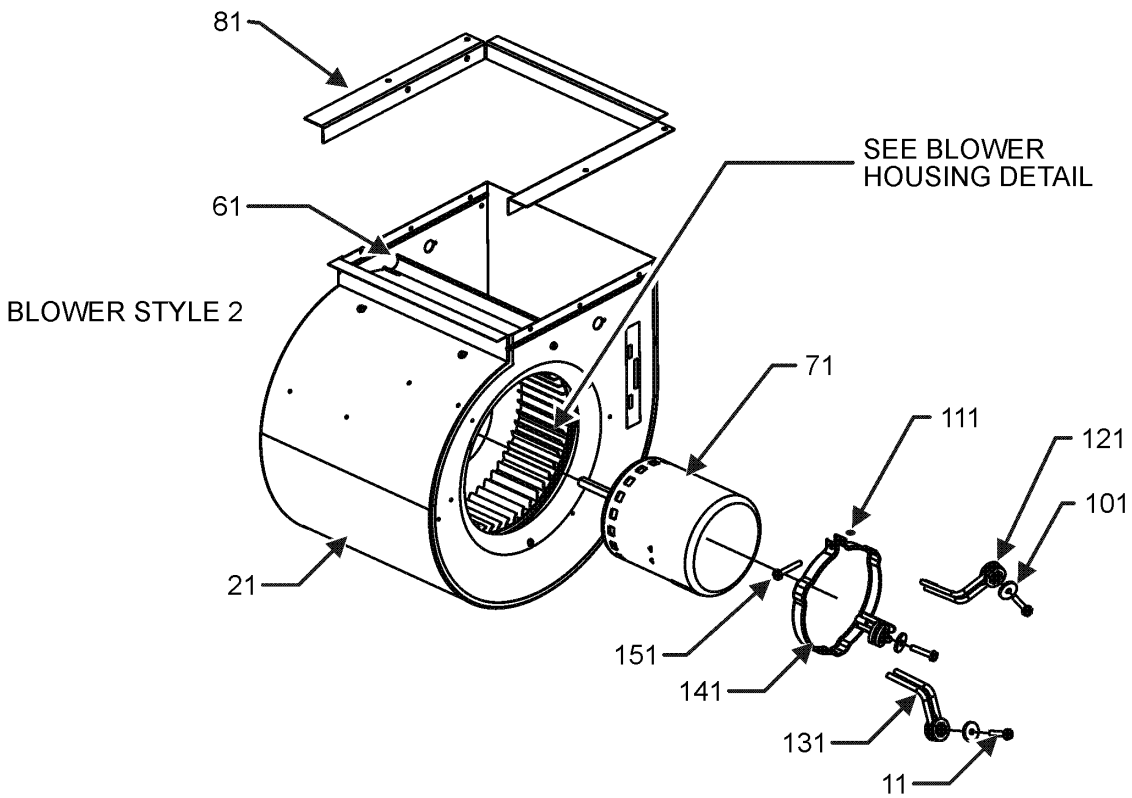
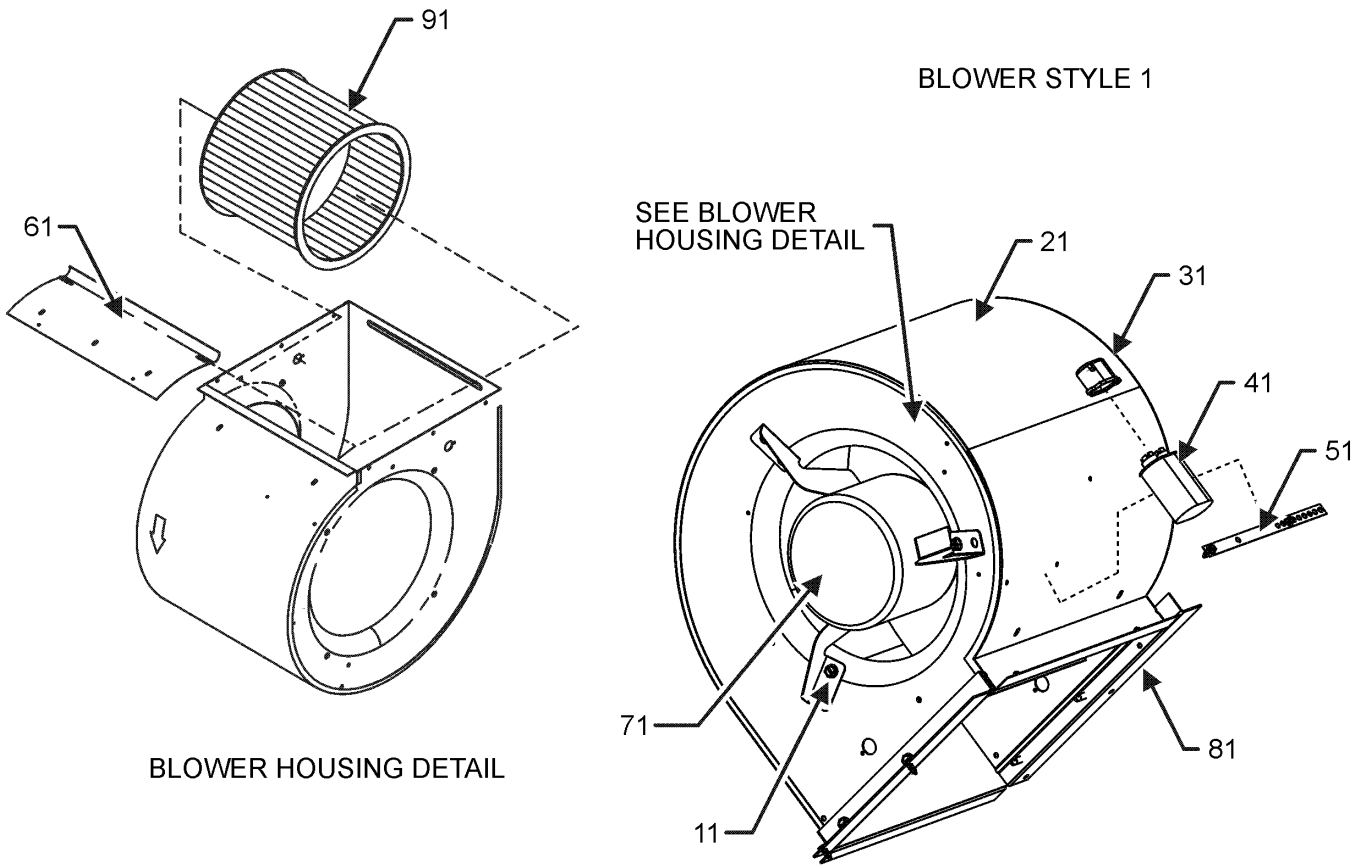
CONDENSER, EVAPORATOR & PARTITION ASSY

Ref. Part No:	Part No:	Description:	Ref. Part No:	Part No:	Description:
<i>Image 1:</i>					
11	0201L00246	CONDENSOR COIL TUBING ASSY (M5, M6)			
11	0201L00040	TUBING ASSY, COND COIL (M1, M2, M3, M4, M7)			
21	0202L00135	EVAP COIL TUBING ASSY (M5, M6)			
21	0202L00029	TUBING ASSY, EVAP COIL (M1, M2, M3, M4, M7)			
31	0121L00252	BLOCKOFF-EVAPORATOR (M5, M6)			
31	0121L00313	BLOCKOFF-EVAPORATOR (M1, M2, M3, M4, M7)			
41	0121L00303	FILTER ANGLE-VERTICAL (HAIRPIN SIDE)			
51	0121L00287	FILTER ANGLE-VERTICAL (RETURN SIDE)			
61	0121L00932	FILTER ANGLE-HORIZONTAL (QTY 2)			
71	0121L01255	ANGLE-FILTER CENTER (M1, M2, M3, M4, M7)			
71	0121L00298	FILTER ANGLE-HORIZONTAL (CENTER) (M5, M6)			
121	0130M00100	DEFROST CONTROL			
211	0121L00311	COND BLOCK-OFF			
221	0121L00939	CONDENSER BLOCKOFF PLATE			
231	0121L00238	DRAIN PAN SUPPORT			
241	0161L00005	DRAIN PAN			
251	0121L02123	DECK SIDE CHANNEL			
261	0121L00254	COND MOUNTING ANGLE			
321	0163L00071	DRAIN PLUG			
331	0154L00009	DRAIN PAN GASKET			
451	0121L00288	ELECTRIC HEAT RETAINER			
461	0121L00144	ELECTRIC HEAT COVER			
471	0121L00256	ELECTRIC HEAT PANEL			
481	0121L01205	BLOWER DECK (M1, M3, M7)			
481	0121L01575	DECK-BLOWER (M2, M4, M5, M6)			
491	A4568804	GROMMET-D (M1, M2, M3, M4, M7)			
NS	0160L00173	AIR FILTER 14 X 20 X 2 (QTY 4)			
NS	0121L00321	SMOKE DETECTOR COVER			

Expanded Model Nomenclature

- M1 - DCH048XXX1DXXXAA
- M2 - DCH048XXX1DXXXAB
- M3 - DCH048XXX3DXXXAA
- M4 - DCH048XXX3DXXXAB
- M5 - DCH048XXX6DXXXAC
- M6 - DCH048XXX6DXXXAD
- M7 - DCH0480153DHXXAA

BLOWER ASSEMBLY



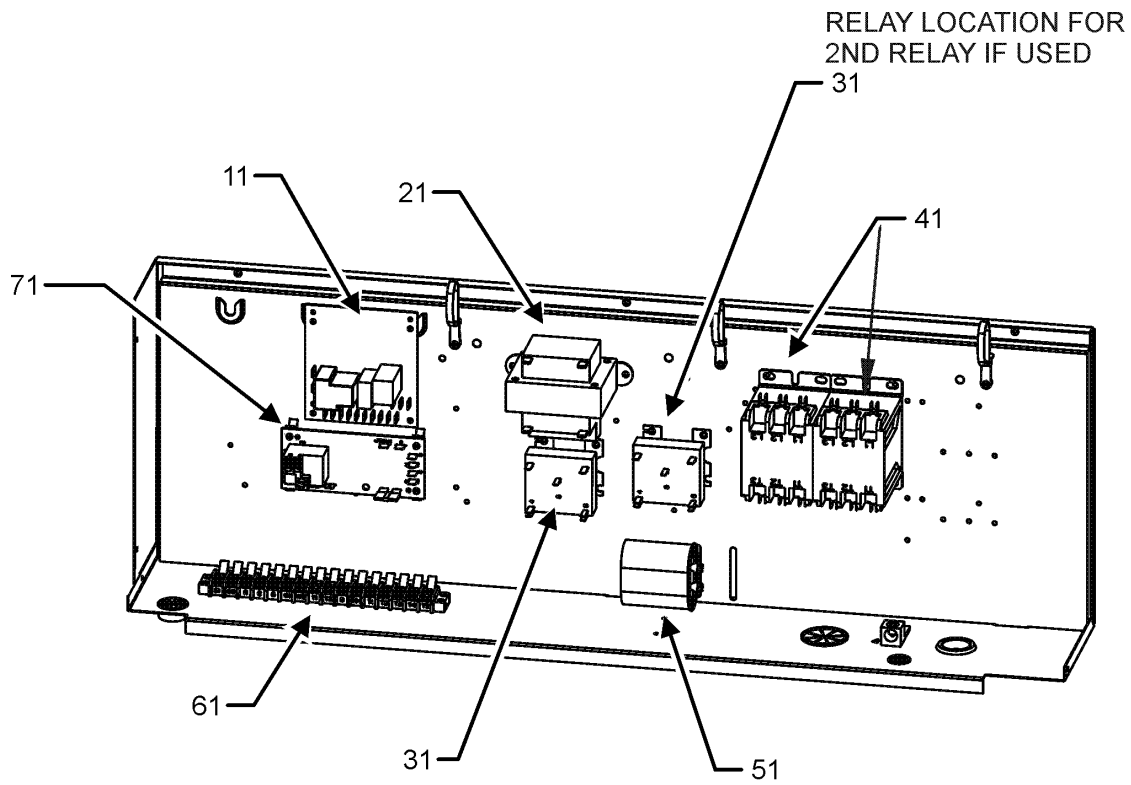
BLOWER ASSEMBLY

Ref. Part No:	Description:	Ref. Part No:	Description:
Image 1:			
11	M0221461		TC SCREW (M5, M6)
11	M0250558		TC SCREW (M1, M2, M3, M4, M7)
21	11185817		BLOWER HOUSING (M1, M2, M3, M4, M7)
21	11185811		BLOWER HOUSING 11 X 10 (M5, M6)
31	B821700		CAPACITOR BOOT (M1, M2, M3, M4, M7)
41	CAP150000370LA		CAPACITOR 15/370V (M1, M2, M3, M4, M7)
51	20520901		CAPACITOR STRAP (M1, M2, M3, M4, M7)
61	C6121806		BLOWER CUT-OFF (M1, M2, M3, M4, M7)
61	C6121807		BLOWER CUT-OFF (M5, M6)
71	0131M00127		BLOWER MOTOR (M1, M2, M3, M4, M7)
71	0131M00712		MOTOR, HP SELECTECH (M5, M6)
81	0121L00281		BLOWER MOUNTING ANGLE (M5, M6)
81	0121L00308		BLOWER MOUNTING ANGLE (M1, M2, M3, M4, M7)
91	D6723303		BLOWER WHEEL (M1, M2, M3, M4, M7)
91	B1368000		BLOWER WHEEL 11 X 10 (M5, M6)
101	B1392918		WASHER, FLAT 1/4 ID X 1 OD (QTY 4)
111	M0282015		KEPS NUT (M5, M6)
121	A4002702		BLOWER MOTOR GROMMET (M5, M6)
131	10441501		MOTOR MOUNT ARM (M5, M6)
141	10441601		MOTOR MOUNT BAND (M5, M6)
151	M0267144		MACHINE SCREW (M5, M6)
NS	M0253516		SCREW-TR (M5, M6)

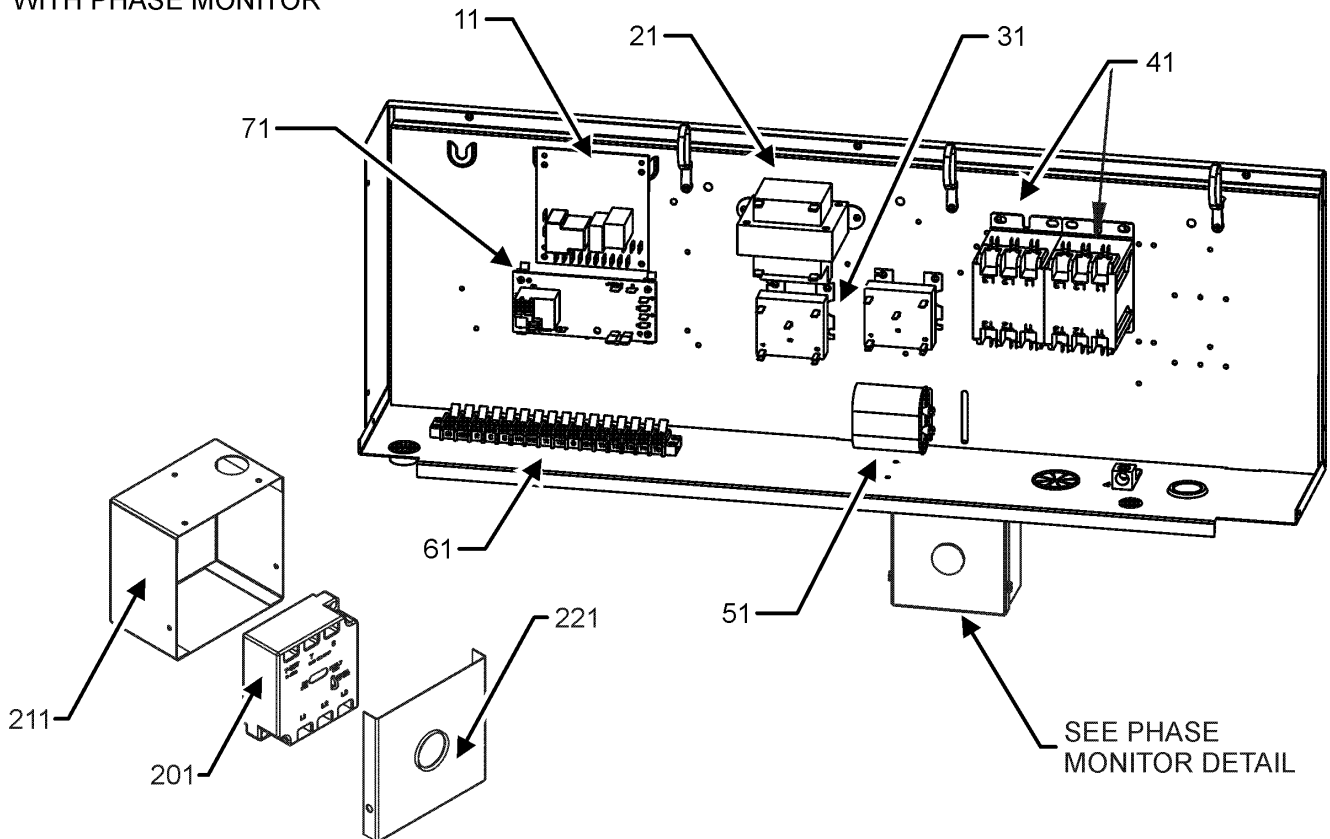
Expanded Model Nomenclature

M1 - DCH048XXX1DXXXAA
M2 - DCH048XXX1DXXXAB
M3 - DCH048XXX3DXXXAA
M4 - DCH048XXX3DXXXAB
M5 - DCH048XXX6DXXXAC
M6 - DCH048XXX6DXXXAD
M7 - DCH0480153DHXXAA

CONTROL BOX ASSEMBLY



CONTROL BOX FOR MODELS WITH PHASE MONITOR



PHASE MONITOR DETAIL

CONTROL BOX ASSEMBLY

Ref. Part No: No:	Description:	Ref. Part No: No:	Description:
Image 1:			
11	PCBDM133		DEFROST CONTROL BOARD
21	0130M00144		TRANSFORMER (M2, M4)
21	0130M00138		TRANSFORMER 208/230, 24V (M1, M3, M7)
21	0130M00081		TRANSFORMER, 380/415V-24V,75VA (M5, M6)
31	0130M00025		24V RELAY (M1, M2, M3, M4, M7)
41	CONT3P025024V		CONTACTOR 25 AMP, 3P, 24V (M3, M4, M7)
41	CONT1P030024V		CONTACTOR 30 AMP, 1P, 24V (M1, M2)
41	CONT2P040024V		CONTACTOR 40 AMP, 2P, 24V (M5, M6)
51	CAP050000370LA		CAPACITOR 5/370V (M3, M4, M5, M6, M7)
51	CAP050450440CT		CAPACITOR 5/45/440V/DUAL RD (M1, M2)
61	0130M00038		TERMINAL BOARD
71	PCBFM103		ELECTRONIC BLOWER TIME DELAY (M1, M2, M3, M4, M7)
201	0130L00105		PHASE MONITOR (M6)
211	0121L01468		CONTROL, PH MON BOX (M6)
221	0121L01467		CONTROL, PH MON LID (M6)
NS	20520901		CAPACITOR STRAP
NS	0259L00178		HARNESS, ECONOMIZER
NS	0130M00127		MOTOR POWER HARNESS (M5, M6)
NS	0259L00427		WIRE ASSY (M6)
NS	0259L00428		WIRE ASSY (M6)
NS	0259L00121		WIRE HARNESS (M5, M6)
NS	0259L00120		WIRE HARNESS, CONTROL (M1, M2, M3, M4, M7)
NS	0259L00082		WIRE HARNESS, DEFROST (M1, M2, M3, M4, M7)
NS	0259L00079		WIRE HARNESS, EVAP MOTOR (M1, M2, M3, M4, M7)
NS	0259L00058		WIRING HARNESS (M5, M6)
NS	0259L00061		WIRING HARNESS (M1, M2, M3, M4, M7)
NS	0259L00070		WIRING HARNESS (M1, M2, M3, M4, M7)
NS	0259L00073		WIRING HARNESS (M5, M6)

Expanded Model Nomenclature

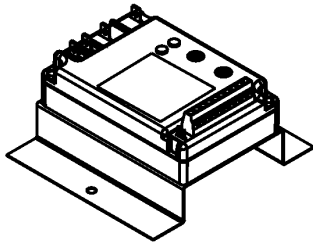
- M1 - DCH048XXX1DXXXAA
- M2 - DCH048XXX1DXXXAB
- M3 - DCH048XXX3DXXXAA
- M4 - DCH048XXX3DXXXAB
- M5 - DCH048XXX6DXXXAC
- M6 - DCH048XXX6DXXXAD
- M7 - DCH0480153DHXXAA

ACCESSORY PARTS LIST

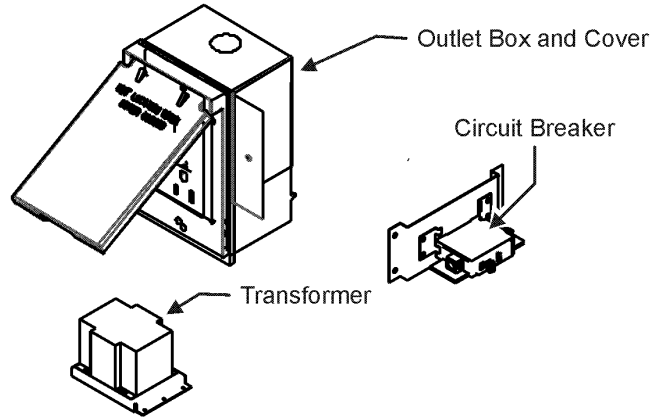
ACCESSORY PARTS LIST

NOTE: NOT ALL OPTIONS AVAILABLE FOR ALL PRODUCTS

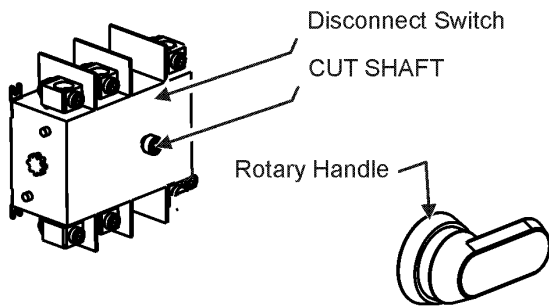
1 LOW AMBIENT KITS



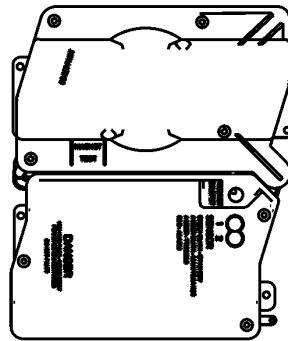
2 GFCI CONVENIENCE OUTLET



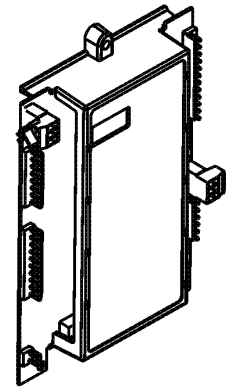
3 DISCONNECT MODULE (NON-FUSED)



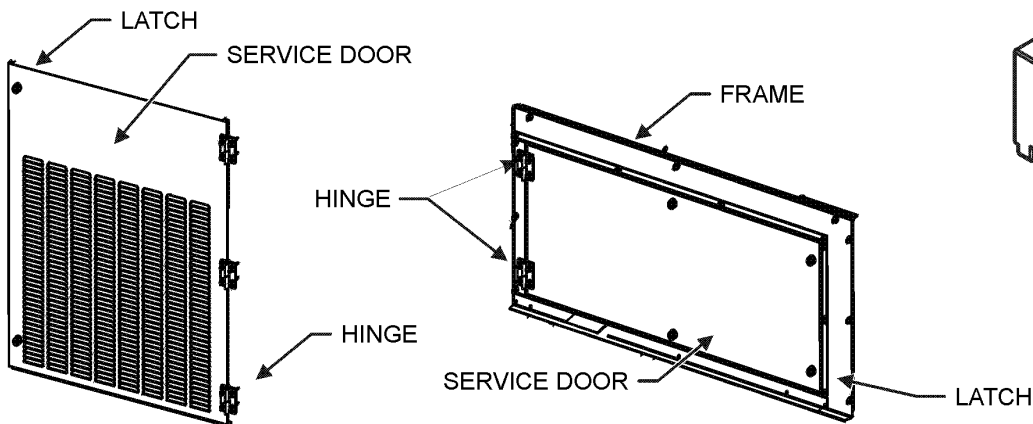
4 SMOKE DETECTORS



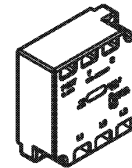
5 DDC CONTROL



6 HINGED DOOR ASSEMBLIES



7 PHASE MONITOR



ACCESSORY PARTS LIST

Ref. Part No: No:	Description:	Ref. Part No: No:	Description:
------------------------------	---------------------	------------------------------	---------------------

Image 1:

NS 0121L00835	BRACKET-DISCONNECT SWITCH (M7)
NS 0121L00837NG	DISCONNECT COVER (M7)
NS 0130L00039	HANDLE, ROTARY (M7)
NS 0130L00049	SHAFT, DISCONNECT (M7)
NS 0130L00027	SWITCH-DISCONNECT 100A (M7)

Expanded Model Nomenclature

M1 - DCH048XXX1DXXXAA
M2 - DCH048XXX1DXXXAB
M3 - DCH048XXX3DXXXAA
M4 - DCH048XXX3DXXXAB
M5 - DCH048XXX6DXXXAC
M6 - DCH048XXX6DXXXAD
M7 - DCH0480153DHXXAA