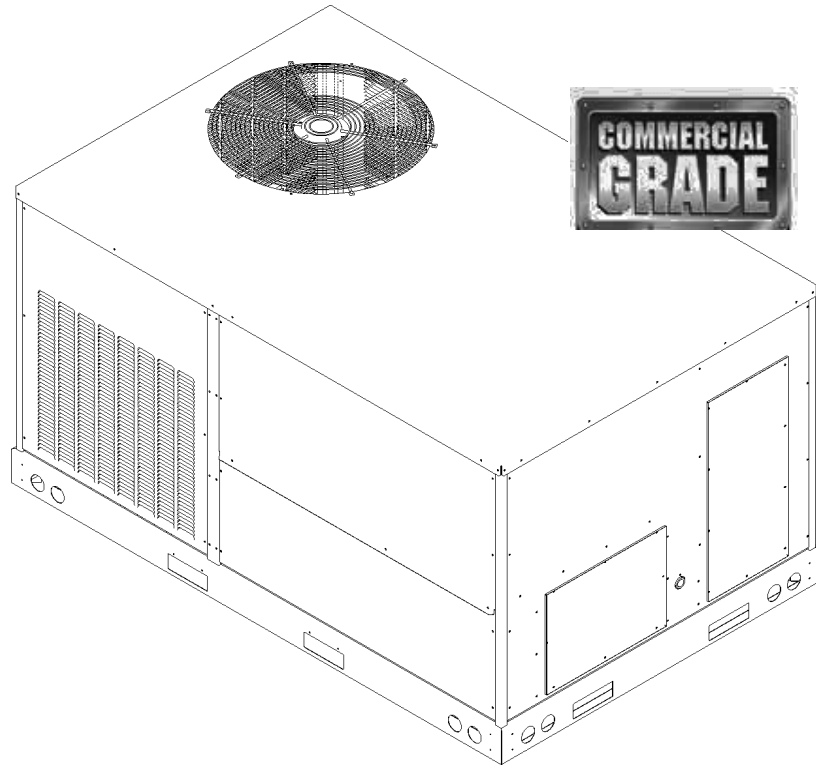


Commercial 3 Ton Package Heat Pumps Direct Drive

DCH0360103DHXXAA
DCH036XXX1DXXXAA
DCH036XXX1DXXXAB
DCH036XXX3DXXXAA
DCH036XXX3DXXXAB



This manual is to be used by qualified technicians only.

This manual replaces RP-D1028.

© 2014-2015 **DAIKIN COMPANY, L.P.** ♦ 5151 San Felipe St., Suite 500 ♦ Houston, TX 77056

Important Information

Index

Functional Parts List	3
Illustration and Parts	4 - 15

Views shown are for parts illustrations only, not servicing procedures

Rev. A: Added models DCH0360103DHXXAA, DCH036XXX1DXXXAB, DCH036XXX3DXXXAB, DCH036XXX1DXXXAA, and DCH036XXX3DXXXAA

Text Codes:

AR - As Required

NA - Not Available

NS - Not Shown

00000000 - See Note

QTY - Quantity Example (QTY 3) (If Quantity not shown, Quantity = 1)

M - Model Example (M1) (If M Code not shown, then part is used on all Models)

Expanded Model Nomenclature:

Example M1 - Model#1 M2 - Model#2 M3 - Model#3

Daikin Company, L.P. is not responsible for personal injury or property damage resulting from improper service. Review all service information before beginning repairs.

Warranty service must be performed by an authorized technician, using authorized factory parts. If service is required after the warranty expires, Daikin Company, L.P. also recommends contacting an authorized technician and using authorized factory parts.

Daikin Company, L.P. reserves the right to discontinue, or change at any time, specifications or designs without notice or without incurring obligations.

For assistance within the U.S.A. contact:

Consumer Affairs Department
Daikin North America, LLC
7401 Security Way
Houston, Texas 77040
855-770-5678-Telephone
713-863-2382-Facsimile

For assistance outside the U.S.A. contact:

International Division
Daikin North America, LLC
7401 Security Way
Houston, Texas 77040
713-861-2500-Telephone
713-863-2382-Facsimile

Functional Parts

Part

No: Description:

0130M00025	24V RELAY
0131M00126	BLOWER MOTOR
D6723303	BLOWER WHEEL
CAP100000370LA	CAPACITOR 10/370V
CAP050000370LA	CAPACITOR 5/370V (M3, M4, M5)
CAP050450440CT	CAPACITOR 5/45/440V/DUAL RD (M1, M2)
ZP31K5EPFV130	COMPRESSOR 31100, 208/230/60/1 (M1, M2)
ZP31K5ETF5130	COMPRESSOR 31200, 200/230/60/3 (M3, M4, M5)
0131M00429	COND MOTOR 1/4 HP, 1 SP,6 PL
CONT3P025024V	CONTACTOR 25 AMP, 3P, 24V (M3, M4, M5)
CONT1P030024V	CONTACTOR 30 AMP, 1P, 24V (M1, M2)
0130M00074	CUT-OUT SWITCH, HIGH PRESSURE
0130M00075	CUT-OUT SWITCH, LOW PRESSURE
0130M00100	DEFROST CONTROL
PCBDM133	DEFROST CONTROL BOARD
PCBFM103	ELECTRONIC BLOWER TIME DELAY
0150G00001	FAN BLADE
0151R00069	REVERSING VALVE
B1225022	SOLENOID COIL
0130M00038	TERMINAL BOARD
0130M00138	TRANSFORMER 208/230, 24V

Expanded Model Nomenclature

M1 - DCH036XXX1DXXXAA
M2 - DCH036XXX1DXXXAB
M3 - DCH036XXX3DXXXAA
M4 - DCH036XXX3DXXXAB
M5 - DCH0360103DHXXAA

Top Panel / Tubing Assembly

Image 1

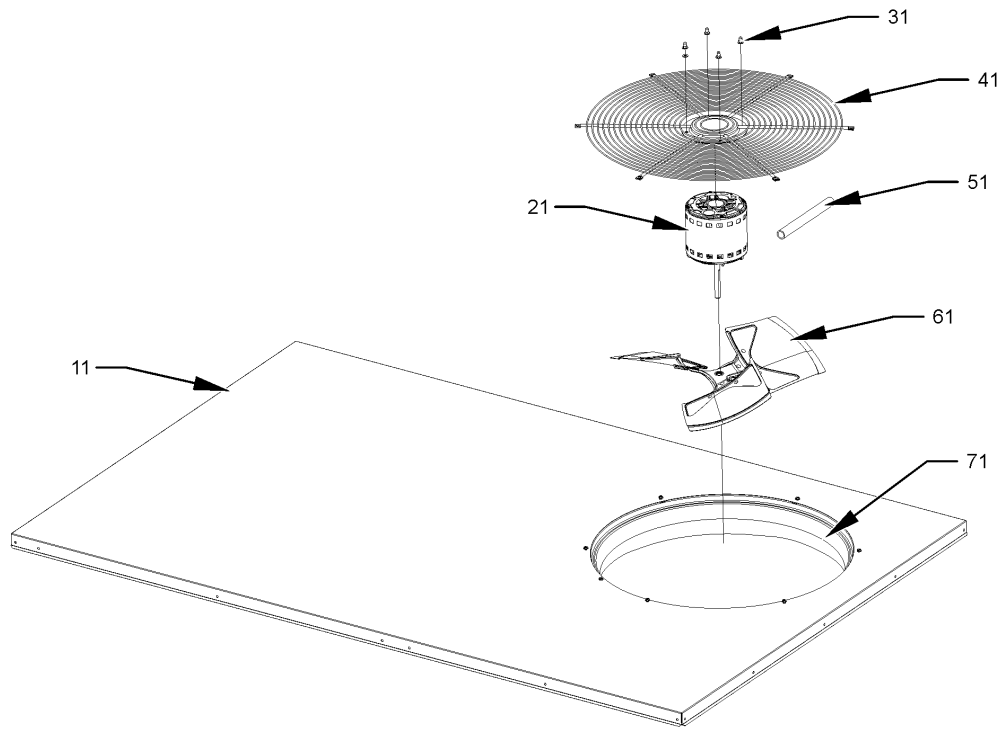
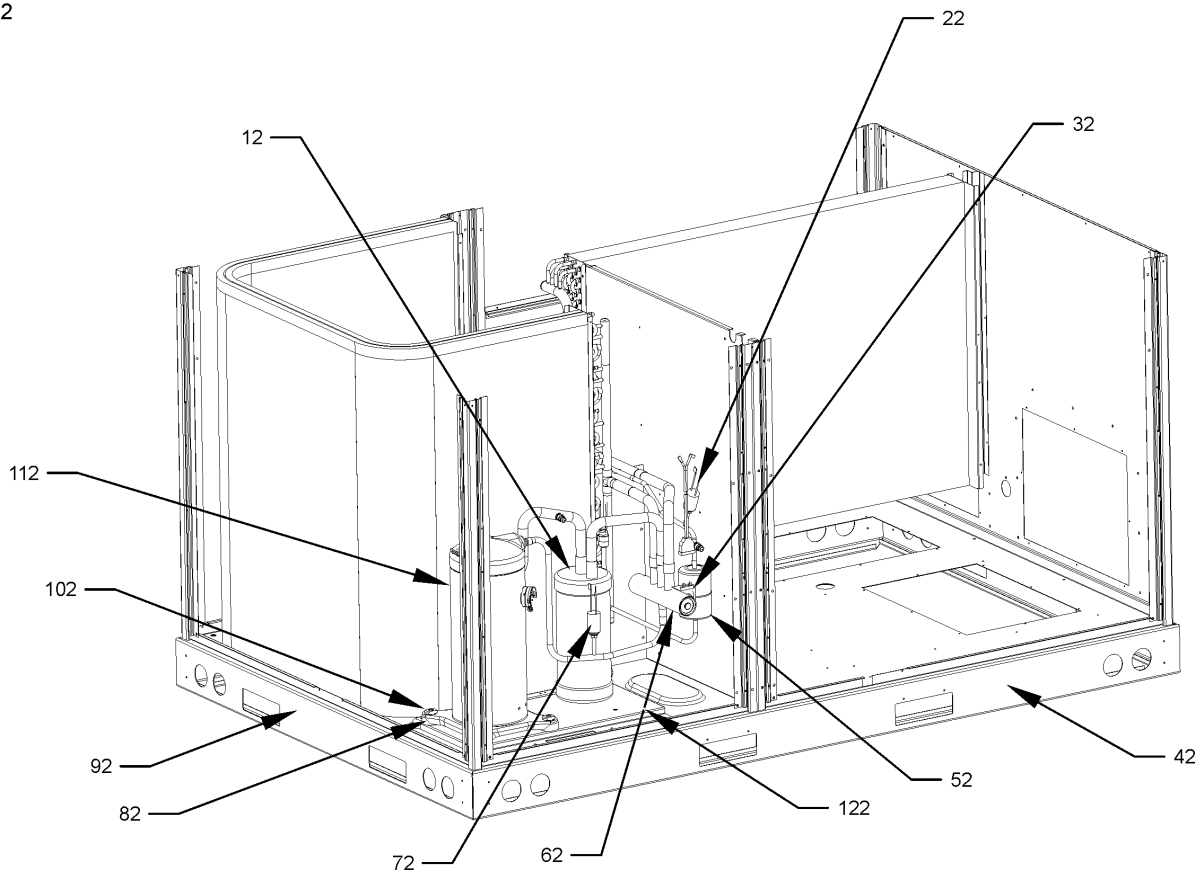


Image 2



Top Panel / Tubing Assembly

Ref. Part No: No:	Description:	Ref. Part No: No:	Description:
-------------------	--------------	-------------------	--------------

Image 1:

11	0121L00235NG	TOP PANEL
21	0131M00429	COND MOTOR 1/4 HP, 1 SP,6 PL
31	0163M00006P	ACORN NUT 5/16 HEX BLACK (QTY 4)
41	0152G00003	FAN GRILLE
51	17788000083F	PVC CONDUIT 8.25"
61	0150G00001	FAN BLADE
71	0161L00000	VENTURI RING 22"
NS	0163M00004	SCREW #10X3/4", BLACK (QTY 8)
NS	0163M00005P	WASHER, BLACK (.50 OD .218ID) (QTY 4)

Image 2:

12	B1226206	ACCUMULATOR
22	0130M00075	CUT-OUT SWITCH, LOW PRESSURE
32	B1225022	SOLENOID COIL
42	0121L00244RF	SIDE RAIL (QTY 2)
52	B1219204	BI-FLOW FILTER DRIER
62	0151R00069	REVERSING VALVE
72	0130M00074	CUT-OUT SWITCH, HIGH PRESSURE
82	B1339533	COMPRESSOR GROMMET (QTY 4)
92	0121L00245	END RAIL (QTY 2)
102	M0221641	TF SHOULDER SCREW (QTY 4)
112	ZP31K5EPFV130	COMPRESSOR 31100, 208/230/60/1 (M1, M2)
112	ZP31K5ETF5130	COMPRESSOR 31200, 200/230/60/3 (M3, M4, M5)
122	0121L01308	MOUNTING PLATE-COMPRESSOR
NS	0159L00027	COMPRESSOR SCROLL HARNESS (M1, M2)
NS	0159L00028	COMPRESSOR SCROLL HARNESS (M3, M4, M5)

Expanded Model Nomenclature

M1 - DCH036XXX1DXXXAA
M2 - DCH036XXX1DXXXAB
M3 - DCH036XXX3DXXXAA
M4 - DCH036XXX3DXXXAB
M5 - DCH0360103DHXXAA

Cabinet Assembly

Image 1

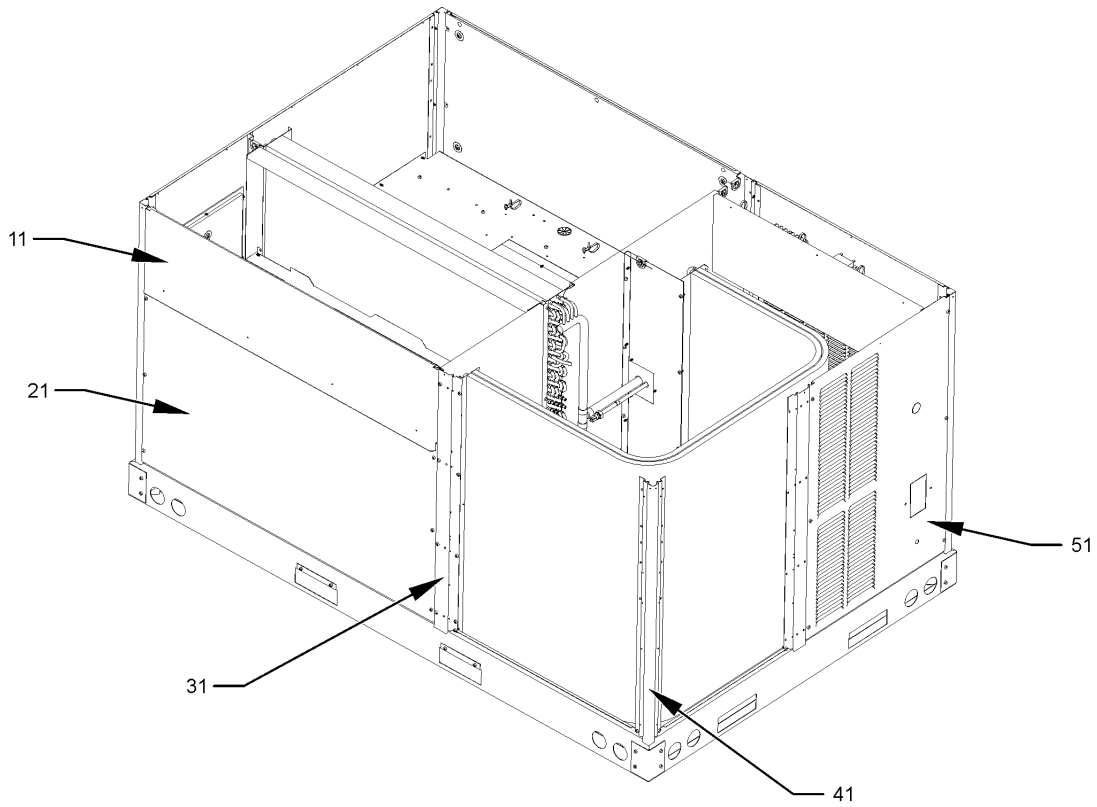
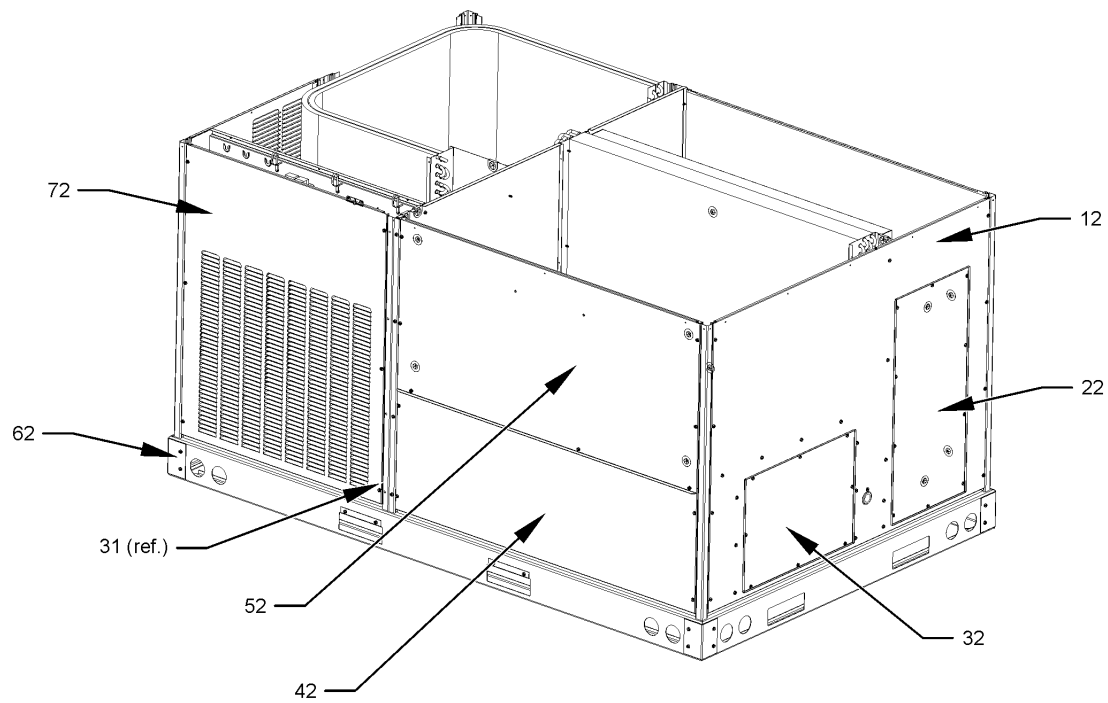


Image 2



Cabinet Assembly

Ref. Part No: No:	Description:	Ref. Part No: No:	Description:
-------------------	--------------	-------------------	--------------

Image 1:

11	0270L00362NG	FILTER DOOR
21	0121L00976NG	ECONOMIZER DOOR
31	0121L00233RFNG	POST-SIDE SUPPORT (QTY 3)
41	0121L00237RFNG	CORNER POST (QTY 4)
51	0121L00263NG	LOUVERED COMPRESSOR PANEL
NS	0164L00009	GASKET-RUBBER, CPOST (QTY 3)
NS	0164L00011	GASKET-RUBBER, SIDE POST (QTY 2)
NS	0121L00321	SMOKE DETECTOR COVER

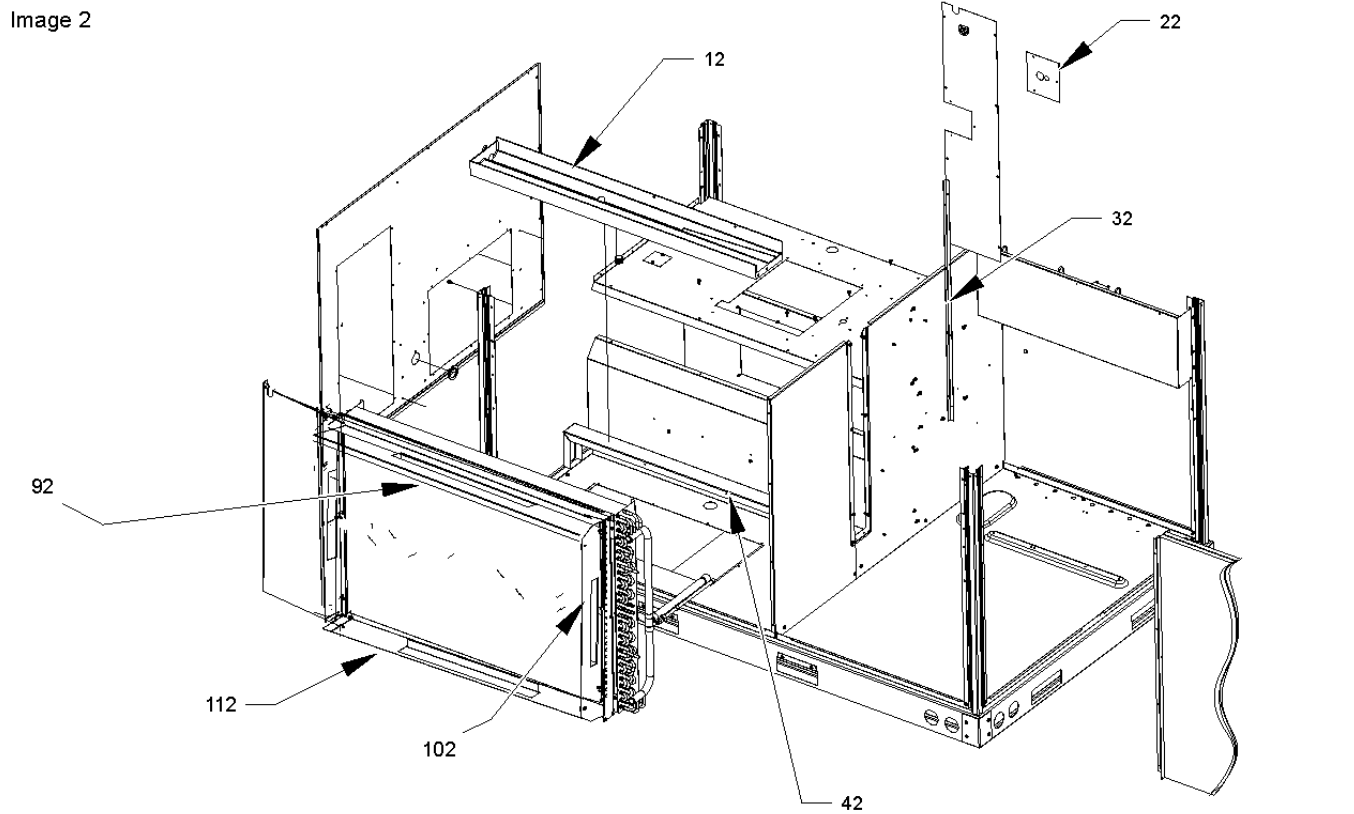
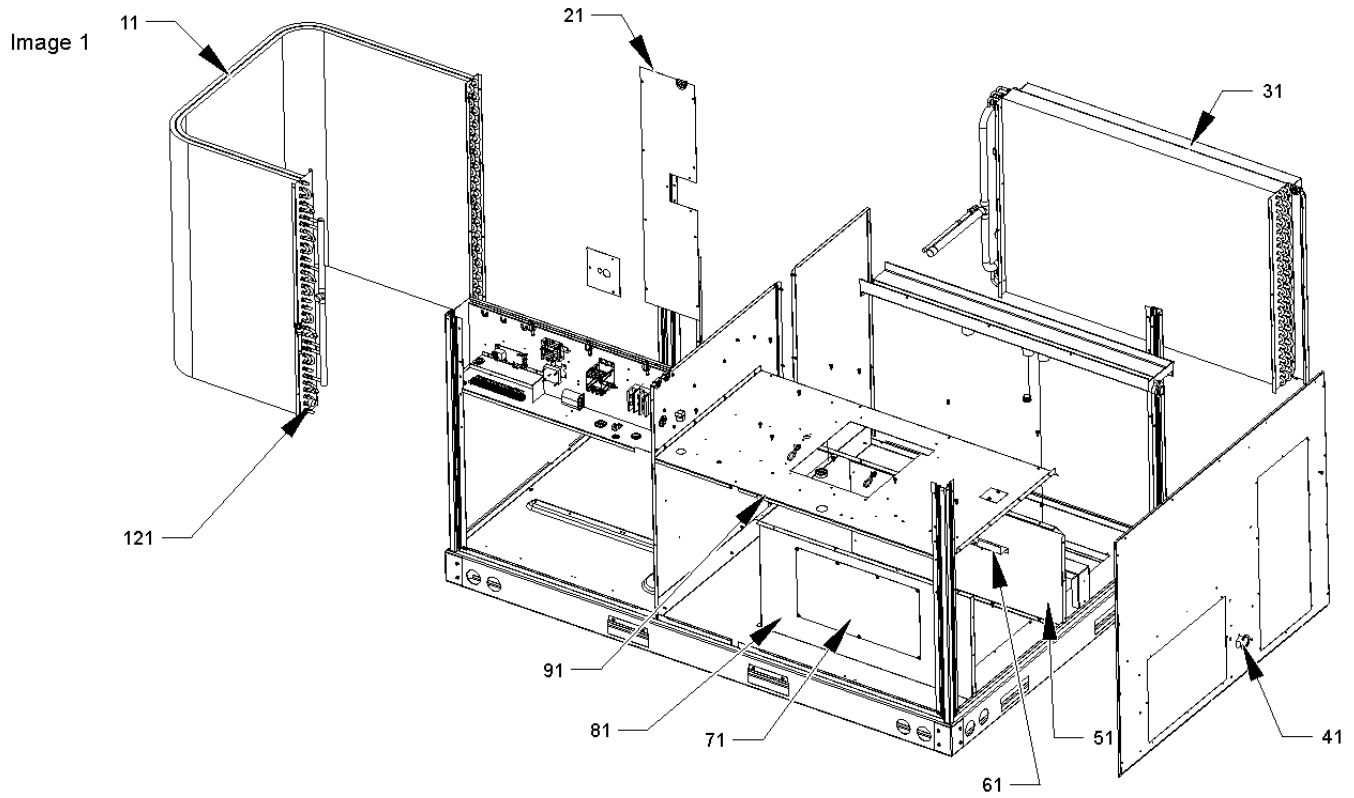
Image 2:

12	0121L00236NG	DUCT PANEL
22	0121L00023NG	RETURN DUCT COVER
32	0121L00024NG	SUPPLY DUCT COVER
42	0121L00279NG	ELECTRIC HEAT DOOR (M1, M3, M5)
42	0121L01176NG	ELECTRIC HEAT DOOR (M2, M4)
52	0121L00259NG	BLOWER DOOR (M1, M3, M5)
52	0121L01157NG	BLOWER DOOR (M2, M4)
62	0121G00301	RAIL CORNER BRACKET (QTY 4)
72	0121L00262NG	LOUVERED CONTROL PANEL (M1, M3, M5)
72	0121L01121NG	LOUVERED CONTROL PANEL (M2, M4)

Expanded Model Nomenclature

M1 - DCH036XXX1DXXXAA
M2 - DCH036XXX1DXXXAB
M3 - DCH036XXX3DXXXAA
M4 - DCH036XXX3DXXXAB
M5 - DCH0360103DHXXAA

Partition Assembly



Partition Assembly

Ref. Part No: No:	Description:	Ref. Part No: No:	Description:
-------------------	--------------	-------------------	--------------

Image 1:

11	0201L00038	TUBING ASSY, COND COIL
21	0121L00311	COND BLOCK-OFF
31	0202L00026	TUBING ASSY, EVAP COIL
41	0154L00009	DRAIN PAN GASKET
51	0121L00243	DECK SIDE CHANNEL
61	0121L00288	ELECTRIC HEAT RETAINER
71	0121L00144	ELECTRIC HEAT COVER
81	0121L00256	ELECTRIC HEAT PANEL
91	0121L01107	BLOWER DECK (M2, M4)
91	0121L01205	BLOWER DECK (M1, M3, M5)
121	0130M00100	DEFROST CONTROL

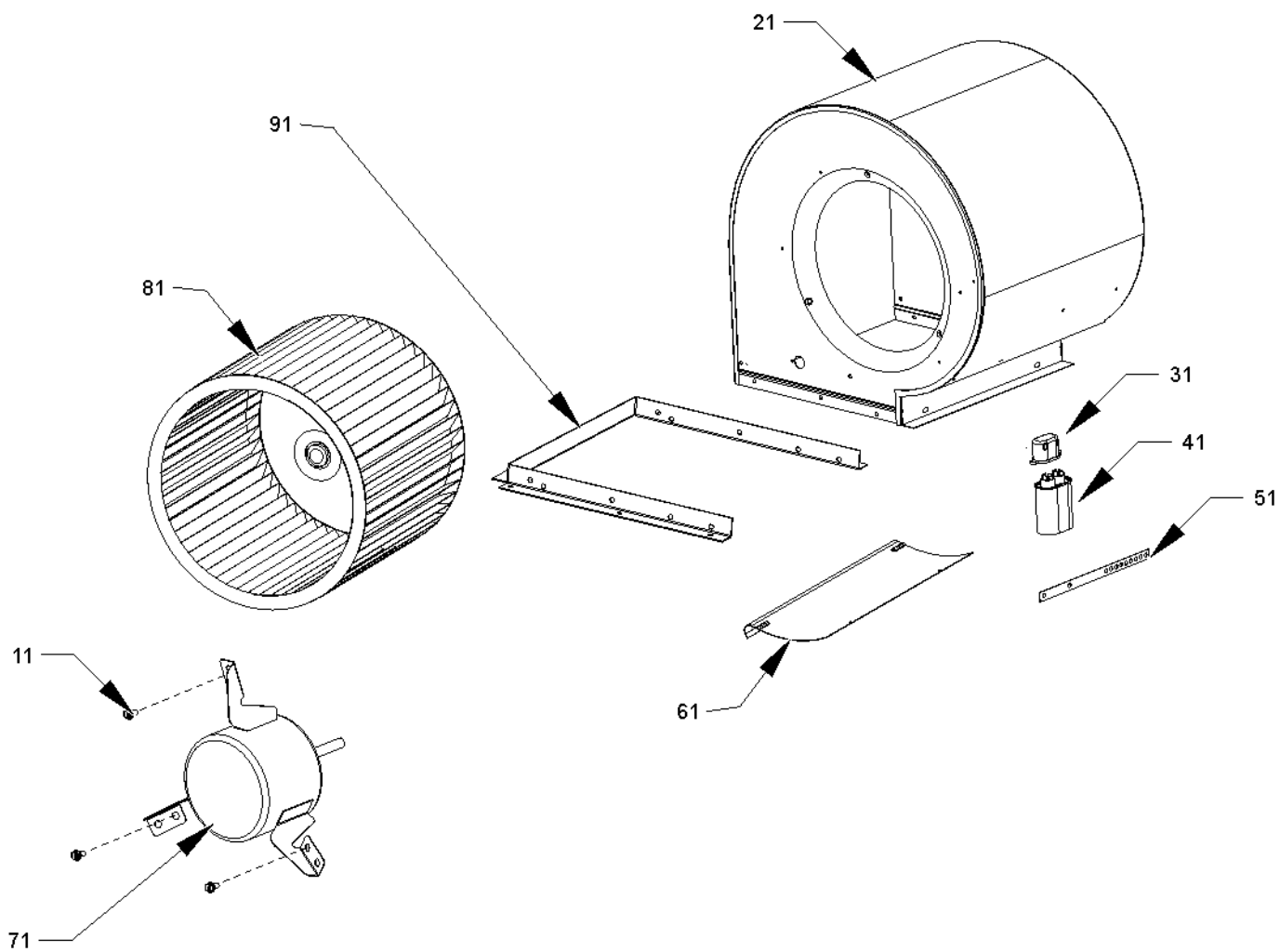
Image 2:

12	0161L00005	DRAIN PAN
32	0121L00254	COND MOUNTING ANGLE
42	0121L00238	DRAIN PAN SUPPORT
92	0121L00290	FILTER ANGLE-TOP
102	0121L00292	FILTER ANGLE-VERTICAL (QTY 2)
112	0121L00291	FILTER ANGLE-BOTTOM
NS	0160L00046	FILTER 24 X 24

Expanded Model Nomenclature

- M1 - DCH036XXX1DXXXAA
- M2 - DCH036XXX1DXXXAB
- M3 - DCH036XXX3DXXXAA
- M4 - DCH036XXX3DXXXAB
- M5 - DCH0360103DHXXAA

Blower Assembly



Blower Assembly

Ref. Part

No: No:

Description:

Ref. Part

No: No:

Description:

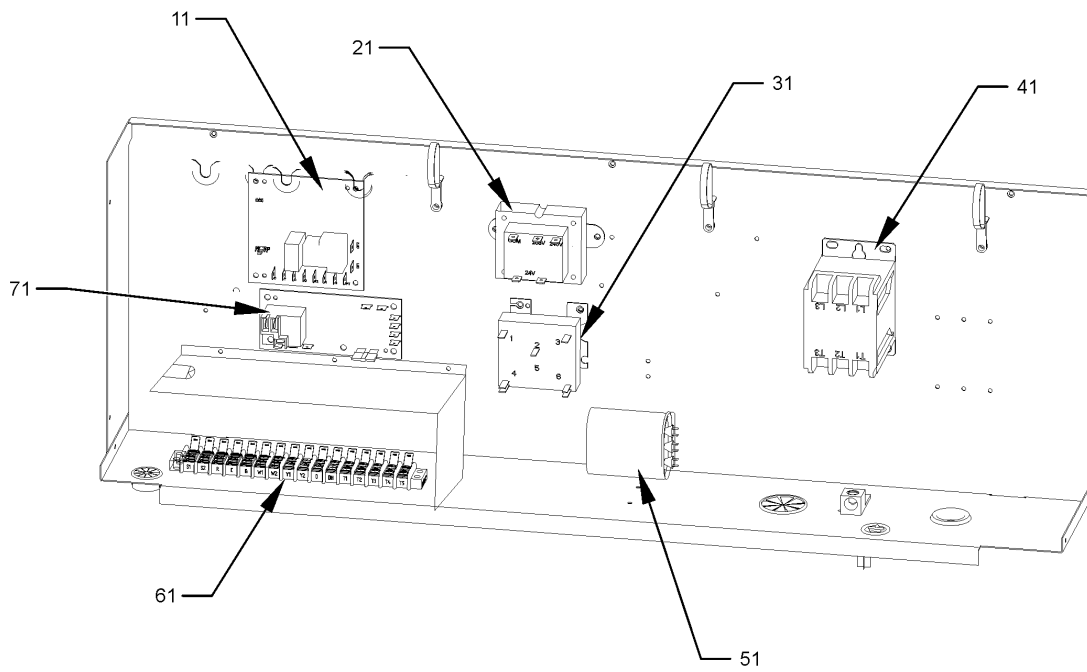
Image 1:

11	M0250558	TC SCREW (QTY 3)
21	0271L00021	BLOWER HOUSING ASSY
31	B821700	CAPACITOR BOOT
41	CAP100000370LA	CAPACITOR 10/370V
51	20520901	CAPACITOR STRAP
61	C6121806	BLOWER CUT-OFF
71	0131M00126	BLOWER MOTOR
81	D6723303	BLOWER WHEEL
91	0121L00308	BLOWER MOUNTING ANGLE

Expanded Model Nomenclature

M1 - DCH036XXX1DXXXAA
M2 - DCH036XXX1DXXXAB
M3 - DCH036XXX3DXXXAA
M4 - DCH036XXX3DXXXAB
M5 - DCH0360103DHXXAA

Control Box Assembly



Control Box Assembly

Ref. Part No: No:	Description:	Ref. Part No: No:	Description:
-------------------	--------------	-------------------	--------------

Image 1:

11	PCBDM133	DEFROST CONTROL BOARD
21	0130M00138	TRANSFORMER 208/230, 24V
31	0130M00025	24V RELAY
41	CONT3P025024V	CONTACTOR 25 AMP, 3P, 24V (M3, M4, M5)
41	CONT1P030024V	CONTACTOR 30 AMP, 1P, 24V (M1, M2)
51	CAP050000370LA	CAPACITOR 5/370V (M3, M4, M5)
51	CAP050450440CT	CAPACITOR 5/45/440V/DUAL RD (M1, M2)
61	0130M00038	TERMINAL BOARD
71	PCBFM103	ELECTRONIC BLOWER TIME DELAY
NS	0259L00178	HARNESS, ECONOMIZER
NS	20520901	STRAP-CAPACITOR
NS	0259L00120	WIRE HARNESS, CONTROL
NS	0259L00082	WIRE HARNESS, DEFROST
NS	0259L00079	WIRE HARNESS, EVAP MOTOR
NS	0259L00061	WIRING HARNESS
NS	0259L00070	WIRING HARNESS

Expanded Model Nomenclature

M1 - DCH036XXX1DXXXAA
M2 - DCH036XXX1DXXXAB
M3 - DCH036XXX3DXXXAA
M4 - DCH036XXX3DXXXAB
M5 - DCH0360103DHXXAA

ACCESSORY PARTS LIST

Accessory Parts

Ref. Part

No: No:

Description:

Ref. Part

No: No:

Description:

Image 1:

NS DSC060A38YD01FI DISCONNECT MODULE ASSY (M5)

Expanded Model Nomenclature

M1 - DCH036XXX1DXXXAA

M2 - DCH036XXX1DXXXAB

M3 - DCH036XXX3DXXXAA

M4 - DCH036XXX3DXXXAB

M5 - DCH0360103DHXXAA