

## Commercial 25 Ton 2-Speed High Static Package Gas Unit

DCG3004003WHDNAA  
DCG3004004WAXCAA  
DCG3004004WHSBAA  
DCG3004004WHXXAA  
DCG3004004WVXBAA  
DCG3004004WWDGAA  
DCG3004004WWKGAA  
DCG3004004WXLQAA  
DCG3004004WXXXAA  
DCG3004007WVXXAA



This manual is to be used by qualified technicians only.

This manual replaces RP-D1209C.

# Important Information

---

## Index

Functional Parts List .....	3
Illustration and Parts .....	4 - 21

*Views shown are for parts illustrations only, not servicing procedures*

### Text Codes:

AR - As Required

NA - Not Available

NS - Not Shown

00000000 - See Note

QTY - Quantity Example (QTY 3) (If Quantity not shown, Quantity = 1)

M - Model Example (M1) (If M Code not shown, then part is used on all Models)

### Expanded Model Nomenclature:

Example M1 - Model#1 M2 - Model#2 M3 - Model#3
---

Daikin Company, L.P. is not responsible for personal injury or property damage resulting from improper service. Review all service information before beginning repairs.

Warranty service must be performed by an authorized technician, using authorized factory parts. If service is required after the warranty expires, Daikin Company, L.P. also recommends contacting an authorized technician and using authorized factory parts.

Daikin Company, L.P. reserves the right to discontinue, or change at any time, specifications or designs without notice or without incurring obligations.

For assistance within the U.S.A. contact:

Equipment Support  
Daikin North America, LLC  
19001 Kermier Road  
Waller, Texas 77484  
855-770-5678-Telephone  
713-863-2382-Facsimile

For assistance outside the U.S.A. contact:

International Division  
Daikin North America, LLC  
19001 Kermier Road  
Waller, Texas 77484  
713-861-2500-Telephone  
713-863-2382-Facsimile

# Functional Parts

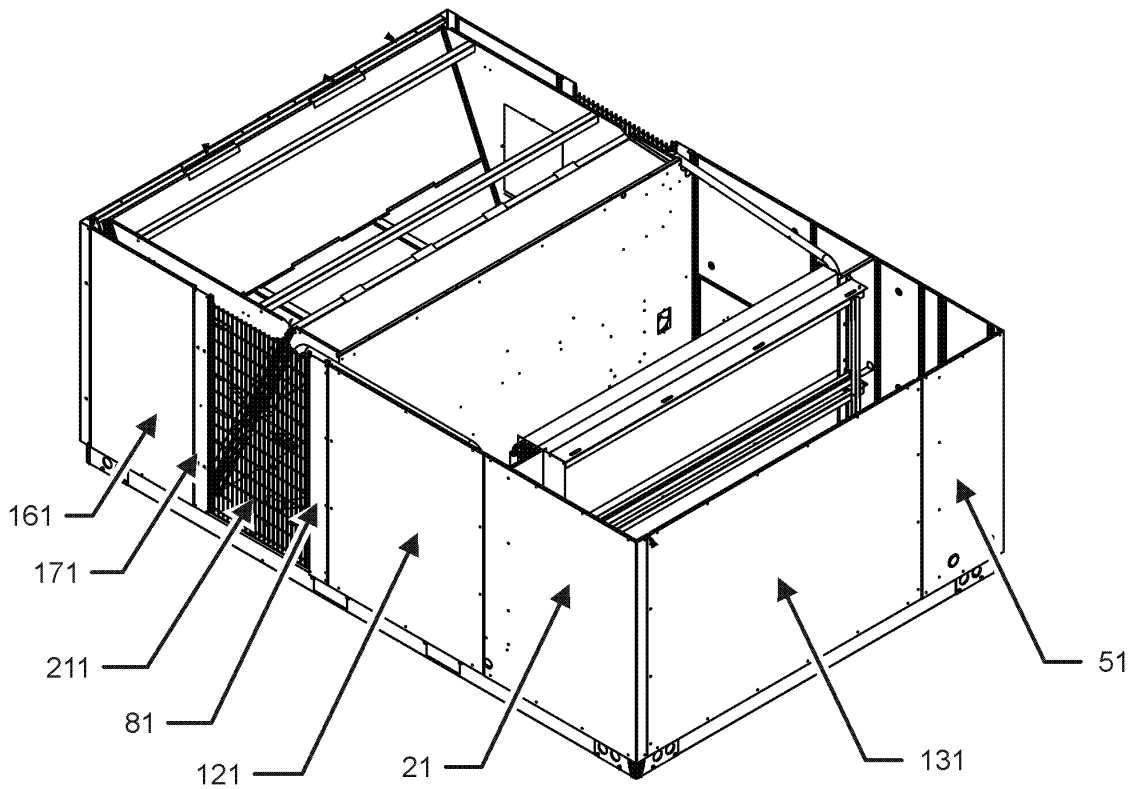
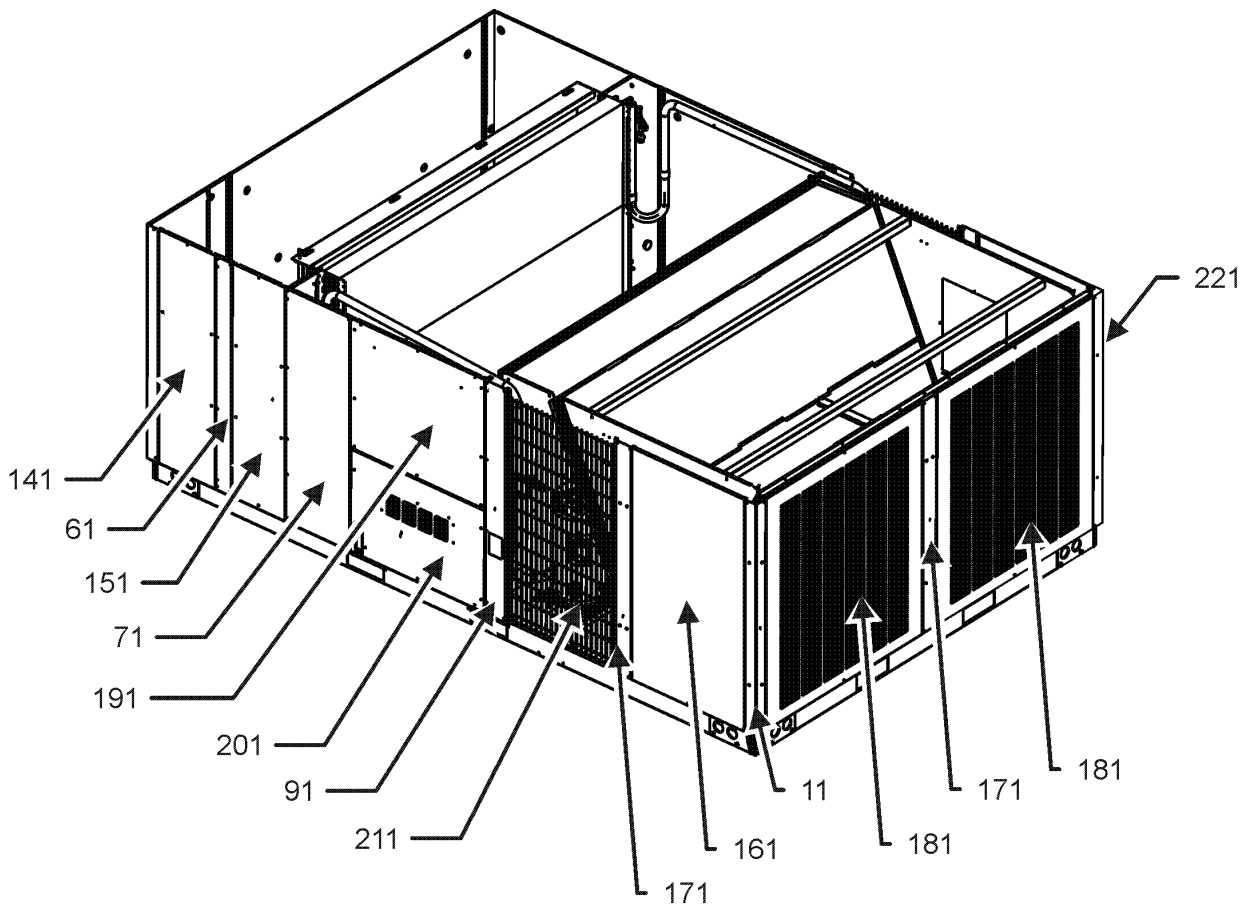
**Part No:**            **Description:**

0271L00027	150-15R BD 1.44 TWIN BLOWER
0130M00249	AUXILLARY SWITCH (QTY 2)
0163L00000	BECKETT BURNER (QTY 8)
ZP137KCETFD155	COMP, 135,000, 460/60/3 (M2, M3, M4, M5, M6, M7, M8, M9)
ZP137KCETFE155	COMP, 136,000, 575/60/3 (M10)
ZP137KCETF5250	COMP, 137000, 200/230/60/3 (M1)
CONT3P030024V	CONT, 3 POLE, 30 AMP, 24 VAC (QTY 4)
0130L00020	CRANK CASE HEATER, 90W, 240V (M1)
0130L00021	CRANK CASE HEATER, 90W, 480V (M2, M3, M4, M5, M6, M7, M8, M9)
0130L00022	CRANK CASE HEATER, 90W, 575V (M10)
0130M00074	CUT-OUT SWITCH, HIGH PRESSURE
0130M00087	CUT-OUT SWITCH, LOW PRESSURE
0164L00004	FAN BELT-NOTCHED
0130F00010	FLAME SENSOR
PCBAG123	IGNITION BOARD, DSI INTEGRATED
20261709	IGNITOR
0130M00064	LIMIT
20162903	LIMIT-BLUE (M3, M7, M8)
10123529	MANUAL RESET LIMIT
0131L00032	MOTOR, 7.5 HP BELT DRIVE 230V (M1)
0131L00033	MOTOR, 7.5 HP BELT DRIVE 460V (M2, M3, M4, M5, M6, M7, M8, M9)
0131L00034	MOTOR, 7.5 HP BELT DRIVE 575V (M10)
0130M00042	POWER BLOCK (M1, M2, M3, M4, M5, M6, M7, M8, M9)
11112501	PRESSURE SWITCH (M3, M7, M8)
0130M00063	PRIMARY LIMIT - GOLD 140° (M1, M2, M4, M5, M6, M9, M10)
0130M00242	REALY, 24V (QTY 2)
10135604	RELAY (QTY 3)
0130M00025	RELAY, SPDT
0130M00263	RELAY, THERMISTOR (QTY 2)
0130M00264	RELAY, THERMISTOR
802007090	TERMINAL BOARD
0130M00596	TRANS, 150VA, 480V TO 230V (M2, M3, M4, M5, M6, M7, M8, M9)
0130M00597	TRANS, 150VA, 575V TO 230V (M10)
0130M00594	TRANSFORMER (M1)
0130M00595	TRANSFORMER, 75VA, 480V TO 24V (M2, M3, M4, M5, M6, M7, M8, M9)
0130M00598	TRANSFORMER, 75VA, 575V TO 24V (M10)
0151M00015	VALVE, GAS (HW) VR83

## Expanded Model Nomenclature

M1 - DCG3004003WHDNAA
M2 - DCG3004004WAXCAA
M3 - DCG3004004WHSBAA
M4 - DCG3004004WHXXAA
M5 - DCG3004004WVXBAA
M6 - DCG3004004WWDGAA
M7 - DCG3004004WWKGAA
M8 - DCG3004004WXLQAA
M9 - DCG3004004WXXXAA
M10 - DCG3004007WVXXAA

# Cabinet Assembly



# Cabinet Assembly

Ref. Part No:	Part No:	Description:	Ref. Part No:	Part No:	Description:
---------------	----------	--------------	---------------	----------	--------------

**Image 1:**

11	0121L01143NG	CORNER POST (QTY 2)			
21	0121L00681NG	EVAP PANEL			
51	0121L00679NG	CONTROL CORNER PANEL (M2, M3, M4, M5, M9, M10)			
51	0121L01900NG	CONTROL CORNER PANEL (M1, M6, M7)			
51	0121L01902NG	CONTROL COVER PANEL (M8)			
61	0121L01937NG	CONTROL/FILTER POST (M1, M6, M7, M8)			
61	0121L02048NG	CONTROL/FILTER POST (M2, M3, M4, M5, M9, M10)			
71	0121L00710NG	BLOWER DOOR POST (M2, M3, M4, M5, M9, M10)			
71	0121L01479NG	BLOWER DOOR POST (M1, M6, M7, M8)			
81	0121L00903NG	POST-PARTITION, EVAP SIDE			
91	0121L01524NG	POST PARTITION, GAS FLUE (M1, M6, M7, M8)			
91	0121L00904NG	POST-PARTITION, GAS FLUE (M2, M3, M4, M5, M9, M10)			
121	0121L00685NG	BLOWER DOOR, EVAP SIDE			
131	0121L00688NG	ACCESSORY PANEL			
141	0121L01603NG	CONTROL DOOR (M1, M6, M7, M8)			
141	0121L00687NG	PNT, DOOR-CONTROL (M2, M3, M4, M5, M9, M10)			
151	0121L00686NG	FILTER DOOR (M2, M3, M4, M5, M9, M10)			
151	0121L01601NG	FILTER DOOR (M1, M6, M7, M8)			
161	0121L00907NG	PANEL-CONDENSER SIDE (QTY 2)			
171	0121L01144NG	POST, COND PANEL (QTY 3)			
181	0121L01174NG	PANEL-LOUVER, END (QTY 2)			
191	0121L00713NG	BLOWER DOOR GAS			
201	0121L00712NG	BURNER DOOR			
211	0152L00000	GRILLE-CONDENSER (QTY 2)			
221	0121L00476NG	PNT, TURNBUCKLE, DOOR (QTY 16)			
NS	0121L00562NG	PNT, HOOD-COMBUSTION AIR			
NS	M0204317	SCREW-MACH (QTY 16)			

**Expanded Model Nomenclature**

- |                        |
|------------------------|
| M1 - DCG3004003WHDNAA  |
| M2 - DCG3004004WAXCAA  |
| M3 - DCG3004004WHSBAA  |
| M4 - DCG3004004WHXXAA  |
| M5 - DCG3004004WVXBAA  |
| M6 - DCG3004004WWDGAA  |
| M7 - DCG3004004WWKGAA  |
| M8 - DCG3004004WXLQAA  |
| M9 - DCG3004004WXXXAA  |
| M10 - DCG3004007WVXXAA |



# Top Panel Assembly

Ref. Part No:	No:	Description:	Ref. Part No:	No:	Description:
---------------	-----	--------------	---------------	-----	--------------

---

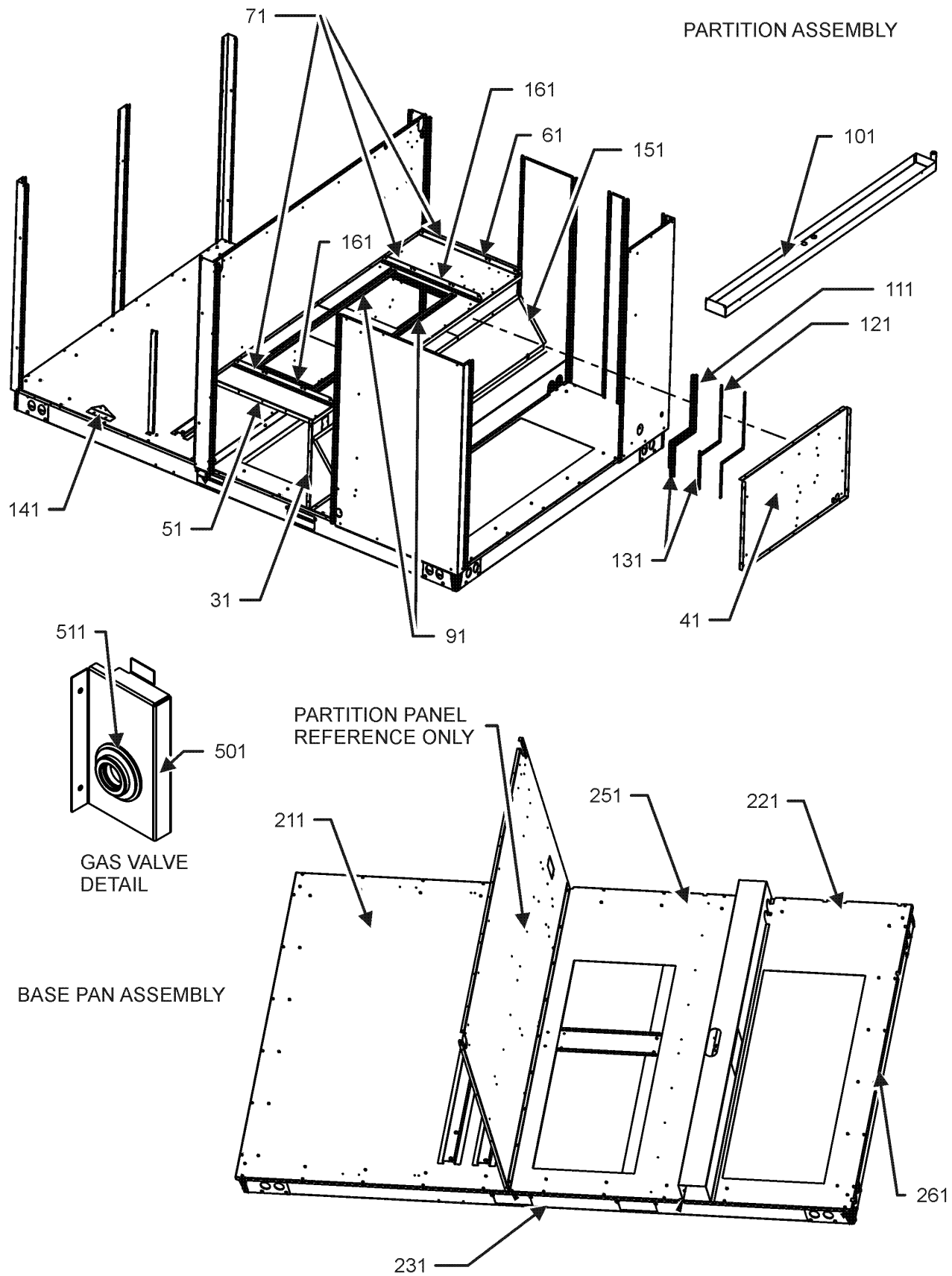
## Image 1:

11	0121L01151NG	FAN PANEL 30" (QTY 4)
21	0152L00003	FAN GRILLE (QTY 4)
31	0150M00044	FAN BLADE (QTY 4)
41	0131M00697	MOTOR, COND (M1, M2, M3, M4, M5, M6, M7, M8, M9)
51	0163L00080	MOTOR MOUNT (QTY 4)
61	0163M00097	WASHERED SCREW (QTY 9)
71	0163L00082	MOTOR CLAMP BAND (QTY 4)
81	B1393726	ELECT. CONNECTING BUSHING (QTY 4)
91	0259L00219	POWER HARNESS, CM PIGTAIL (QTY 4)
111	B1392912	FLAT WASHER 3/8 ID X 7/8 OD (QTY 32)
141	0163M00275	CARRIAGE BOLT (QTY 8)
181	0121L01081NG	TOP, FAN C1
191	0121L01094NG	TOP, FAN C2
211	0121L00693NG	TOP ASSY, CONTROL SIDE
221	0121L00694NG	TOP ASSY, EVAP SIDE

## Expanded Model Nomenclature

M1 - DCG3004003WHDNAA
M2 - DCG3004004WAXCAA
M3 - DCG3004004WHSBAA
M4 - DCG3004004WHXXAA
M5 - DCG3004004WVXBAA
M6 - DCG3004004WWDGAA
M7 - DCG3004004WWKGAA
M8 - DCG3004004WXLQAA
M9 - DCG3004004WXXXAA
M10 - DCG3004007WVXXAA

# Partition and Base Pan Assembly



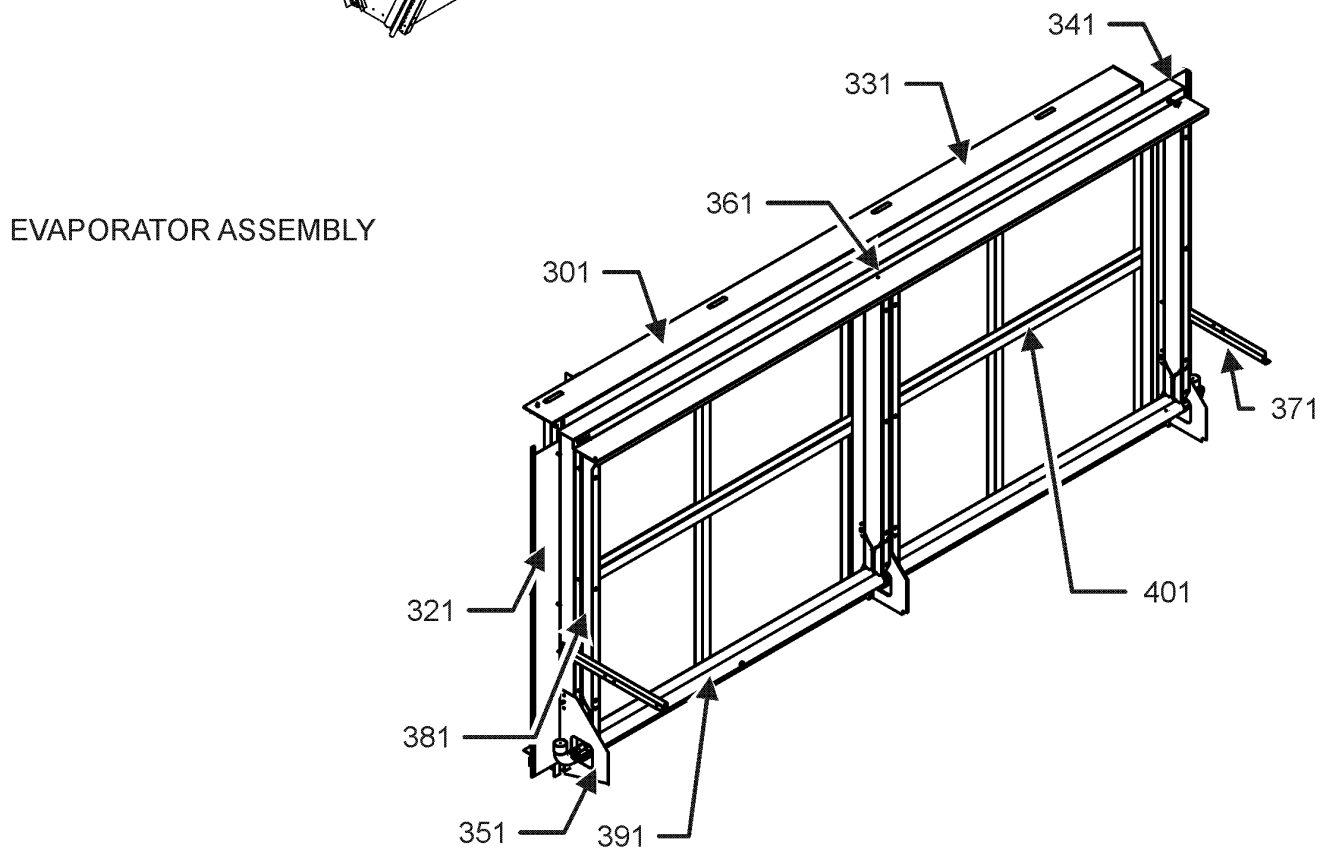
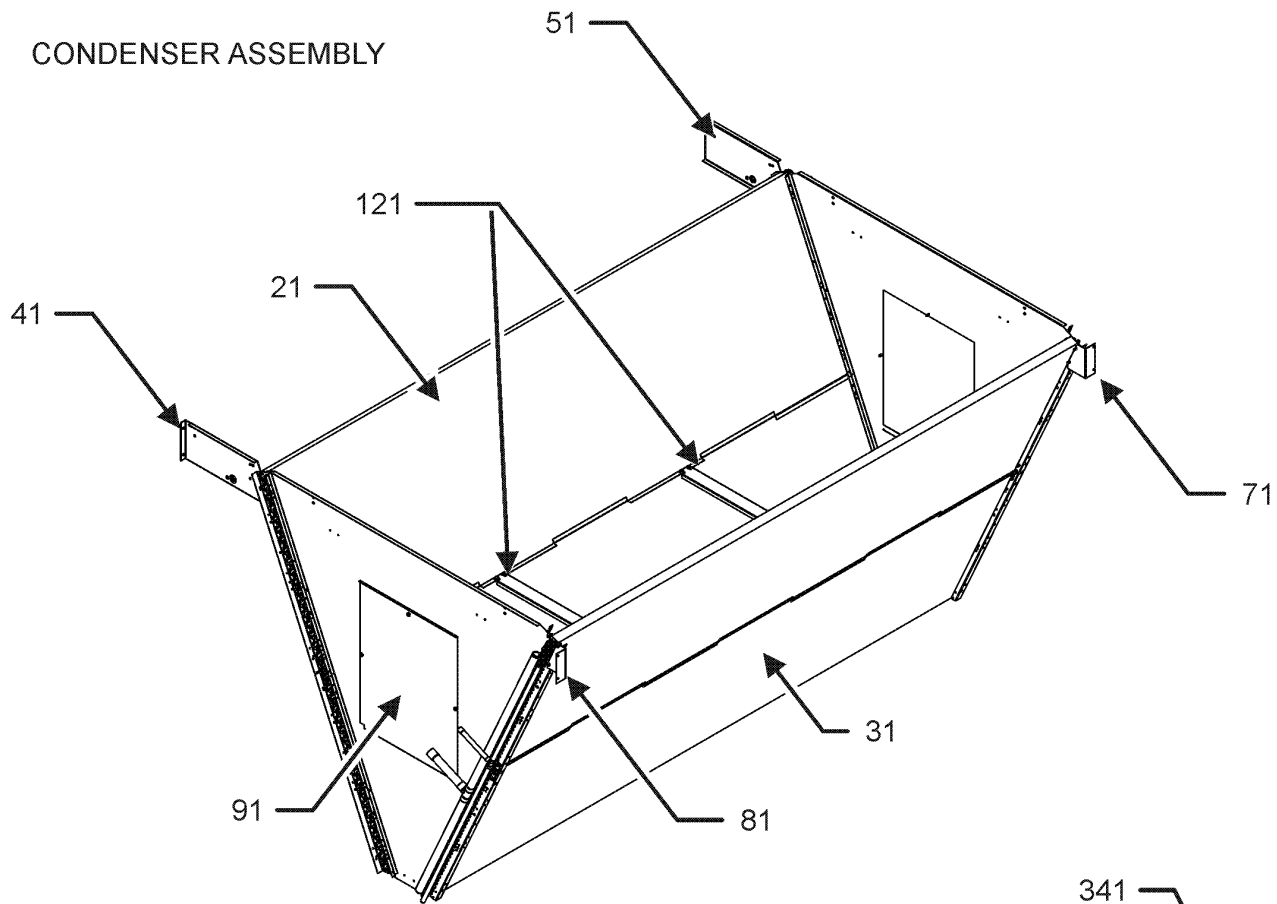
# Partition and Base Pan Assembly

Ref. Part No:	Ref. Part No:	Description:	Description:
<b>Image 1:</b>			
31	0121L01163	DECK, SIDE DUCT END	
41	0121L01162	DECK, SIDE HEAT END	
51	0121L01160	BLOWER DECK, EVAP SIDE	
61	0121L01061	BLOWER DECK, MOTOR SIDE	
71	0121L01431	MOTOR MOUNT ANGLE (QTY 3)	
91	0121L00478	BLOWER DECK RAIL (QTY 2)	
101	0270L00612DG	DRAIN PAN	
111	0121L00551	HEAT EXCHANGER ANGLE, RH SIDE	
121	0121L00552	HEAT EXCHANGER ANGLE, LH SIDE	
131	0121L00553	LOWER HEAT EXCHANGER ANGLE (QTY 2)	
141	0121L00913	BRACKET-COND/BASEPAN (QTY 2)	
151	0121L01158	SHIELD, BLOWOFF	
161	0121L00481	BLOWER RAIL (QTY 2)	
211	0121L00902	BASEPAN-OUTDOORS	
221	0121L00947	BASE PAN-RETURN	
231	0121L00720	SIDE RAIL	
251	0121L00948	BASE PAN-SUPPLY	
261	0121L00722	BASE RAIL, ACCESSORY END	
501	0121L00697	GAS VALVE PIPE BRACKET	
511	B1910013	GAS LINE GROMMET	
NS	0121L00723	BASE RAIL CORNER BRACE (QTY 4)	
NS	0121L00721	BASE RAIL, CONDENSER END (QTY 2)	
NS	0121L00625	BRACKET-COMPRESSOR RAIL (QTY 4)	
NS	0121L00724	BRACKET-FORK BOARD (QTY 4)	
NS	0121L00719	CONTROL SIDE BASE RAIL	
NS	0141L00029	FORK BOARD (QTY 2)	
NS	0121L00605	FORK BOARD PLATE	
NS	0121L00321	SMOKE DETECTOR COVER	

## Expanded Model Nomenclature

- |                        |
|------------------------|
| M1 - DCG3004003WHDNAA  |
| M2 - DCG3004004WAXCAA  |
| M3 - DCG3004004WHSBAA  |
| M4 - DCG3004004WHXXAA  |
| M5 - DCG3004004WVXBAA  |
| M6 - DCG3004004WWDGAA  |
| M7 - DCG3004004WWKGAA  |
| M8 - DCG3004004WXLQAA  |
| M9 - DCG3004004WXXXAA  |
| M10 - DCG3004007WVXXAA |

# Condenser and Evaporator Assembly



# Condenser and Evaporator Assembly

Ref. Part No:	Part No:	Description:	Ref. Part No:	Part No:	Description:
---------------	----------	--------------	---------------	----------	--------------

**Image 1:**

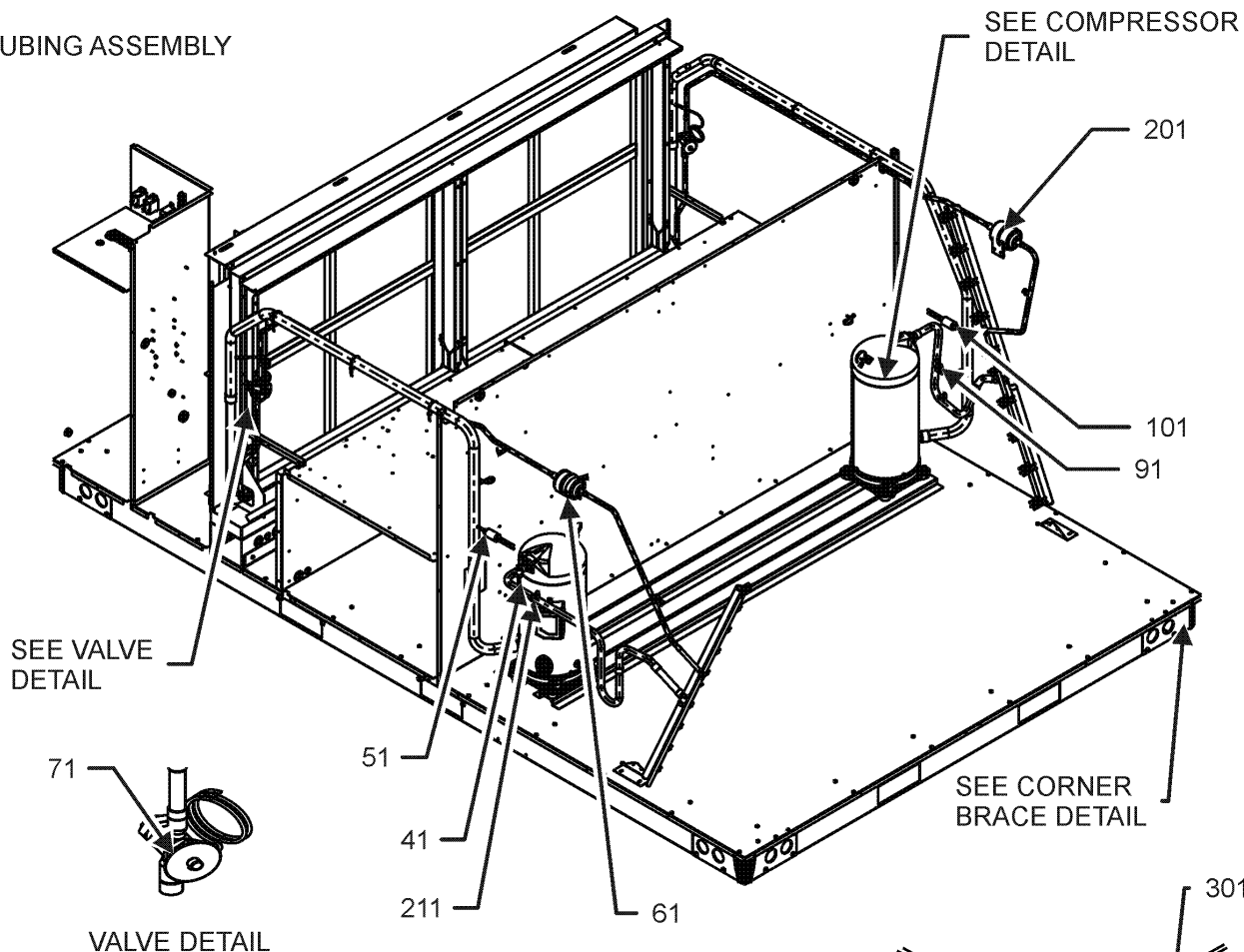
21	0201L00151	CONDENSER COIL ASSY C1
31	0201L00152	CONDENSER COIL ASSY C2
41	0121L01154	BRACKET, CONDENSER END C1
51	0121L01156	BRACKET, CONDENSER END C2
71	0121L01153	BRACKET, COND/POST C2
81	0121L01155	BRACKET, COND/POST C1
91	0121L00910	COVER-COIL CLEANING (QTY 2)
121	0121L00901	BRACE-COND COILS (QTY 2)
301	0202L00102	EVAP COIL ASSY C1
321	0121L01086	EVAP BLOCKOFF, RIGHT
331	0202L00103	EVAP COIL ASSY C2
341	0121L01085	EVAP BLOCKOFF, LEFT
351	0121L01133	END SUPPORT PLATE (QTY 2)
361	0121L01188	TOP FILTER RACK
371	0121L02259	EVAP COIL SUPPORT BRACKET (QTY 2)
381	0121L01184	ANGLE, FILTER RACK
391	0121L01187	BOTTOM FILTER RACK
401	0270L00614	CENTER FILTER RACK
NS	0160L00136	Air Filter 20x20x2 (QTY 8)
NS	0121L01178	ANGLED FILTER SLIDER (QTY 4)
NS	0121L01139	BOTTOM BLOCKOFF, FILTER RACK
NS	0121L01137	FILTER PULL (QTY 2)
NS	0121L00632	FILTER SUPPORT ANGLE
NS	0121L01089	MIDDLE EVAP BLOCKOFF, LEFT
NS	0121L01088	MIDDLE EVAP BLOCKOFF, RIGHT

**Expanded Model Nomenclature**

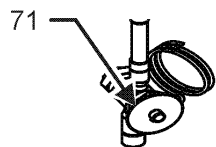
- |                        |
|------------------------|
| M1 - DCG3004003WHDNAA  |
| M2 - DCG3004004WAXCAA  |
| M3 - DCG3004004WHSBAA  |
| M4 - DCG3004004WHXXAA  |
| M5 - DCG3004004WVXBAA  |
| M6 - DCG3004004WWDGAA  |
| M7 - DCG3004004WWKGAA  |
| M8 - DCG3004004WXLQAA  |
| M9 - DCG3004004WXXXAA  |
| M10 - DCG3004007WVXXAA |

# Tubing and Copmressor Assembly

## TUBING ASSEMBLY

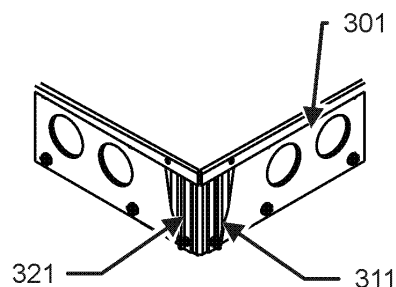


SEE VALVE  
DETAIL



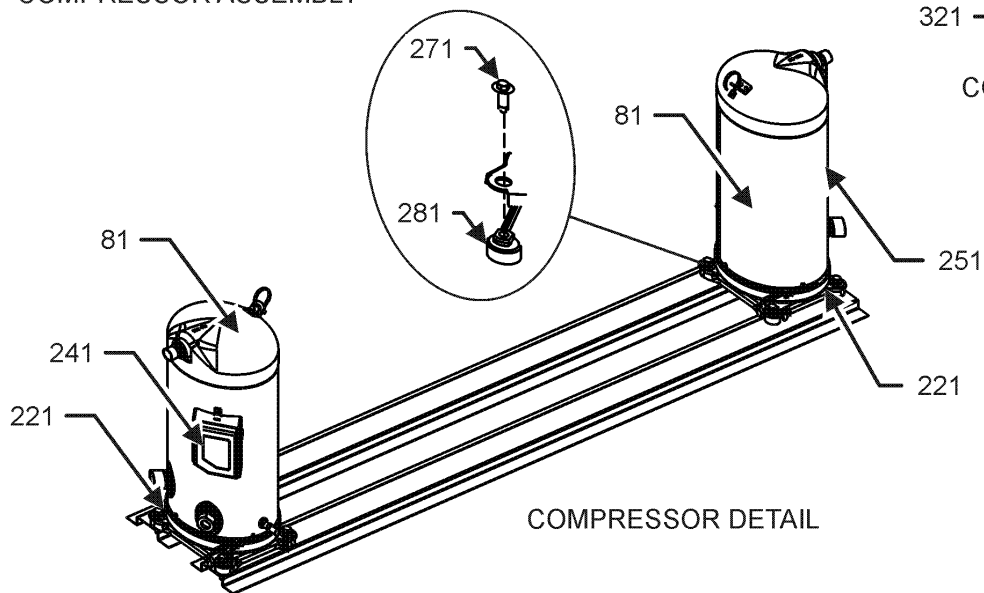
VALVE DETAIL

SEE CORNER  
BRACE DETAIL



CORNER BRACE DETAIL

## COMPRESSOR ASSEMBLY



COMPRESSOR DETAIL

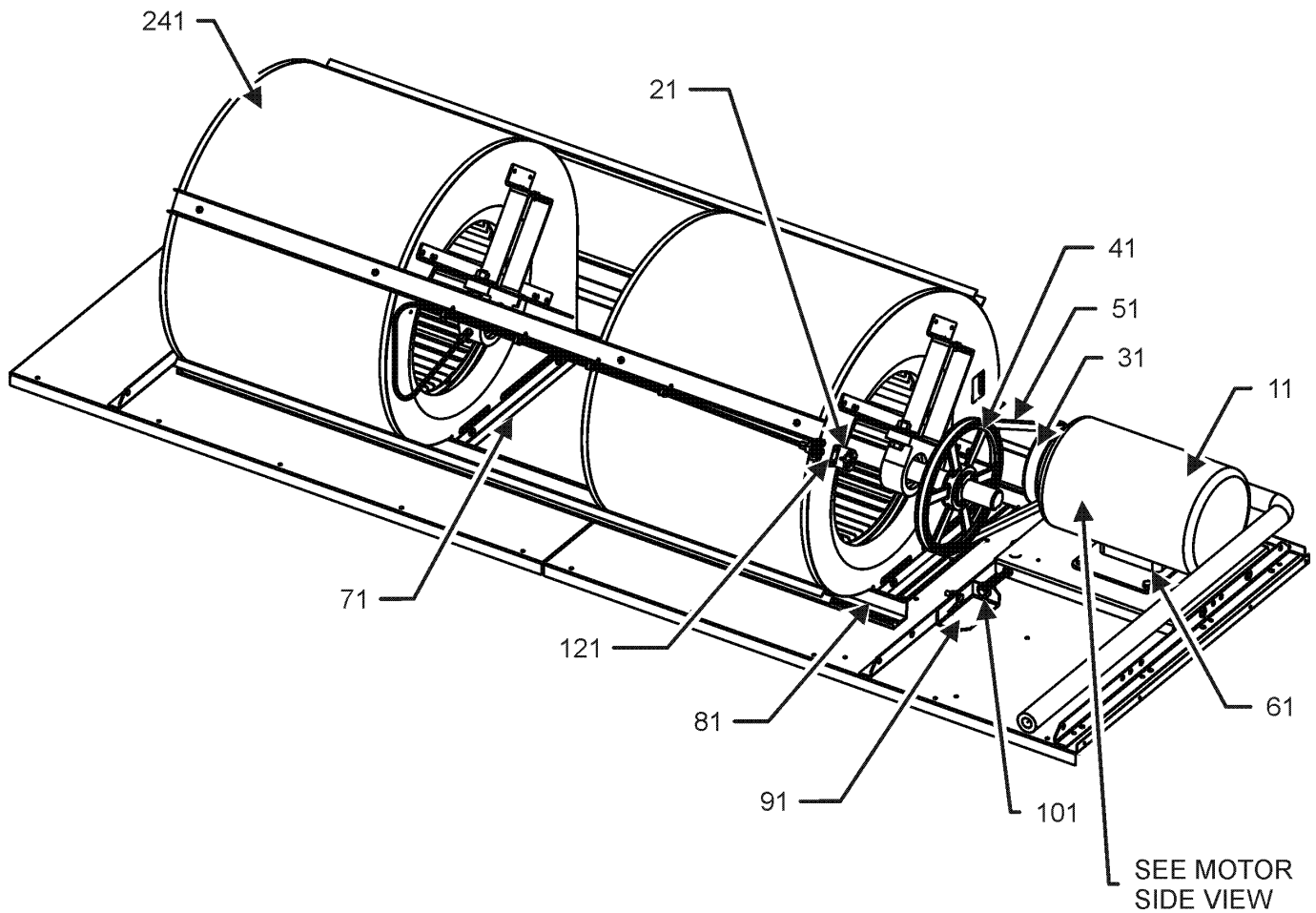
# Tubing and Copmressor Assembly

Ref. Part No: No:	Description:	Ref. Part No: No:	Description:
<b>Image 1:</b>			
41	0130M00074		CUT-OUT SWITCH, HIGH PRESSURE
51	0130M00087		CUT-OUT SWITCH, LOW PRESSURE
61	0162L00025		FILTER DRIER
71	0210L00470		TXV WELDMENT (QTY 2)
81	ZP137KCETFD155		COMP, 135,000, 460/60/3 (M2, M3, M4, M5, M6, M7, M8, M9)
81	ZP137KCETFE155		COMP, 136,000, 575/60/3 (M10)
81	ZP137KCETF5250		COMP, 137000, 200/230/60/3 (M1)
91	0130M00074		CUT-OUT SWITCH, HIGH PRESSURE
101	0130M00087		CUT-OUT SWITCH, LOW PRESSURE
201	0162L00025		FILTER DRIER
211	B1787000		VALVE CORE C/CL/CU/CP (QTY 2)
221	0130L00020		CRANK CASE HEATER, 90W, 240V (M1)
221	0130L00021		CRANK CASE HEATER, 90W, 480V (M2, M3, M4, M5, M6, M7, M8, M9)
221	0130L00022		CRANK CASE HEATER, 90W, 575V (M10)
241	0159L00061		COMPRESSOR SCROLL HARNESS (M1)
241	0159L00063		COMPRESSOR SCROLL HARNESS (M2, M3, M4, M5, M6, M7, M8, M9, M10)
251	0159L00062		COMPRESSOR SCROLL HARNESS (M1)
251	0159L00064		COMPRESSOR SCROLL HARNESS (M2, M3, M4, M5, M6, M7, M8, M9, M10)
261	0164M00018		GROMMET, COMPRESSOR (QTY 8)
271	B1393740		COMP BOLT & SLEEVE (QTY 8)
301	0121L00723		BRACE-CORNER RAILS (QTY 4)
311	0121L00616		ANGLE-RAIL BRACE, RIGHT (QTY 4)
321	0121L00617		ANGLE-RAIL BRACE, LEFT (QTY 4)
NS	0163M00175		CAP WITH O-RING (QTY 6)

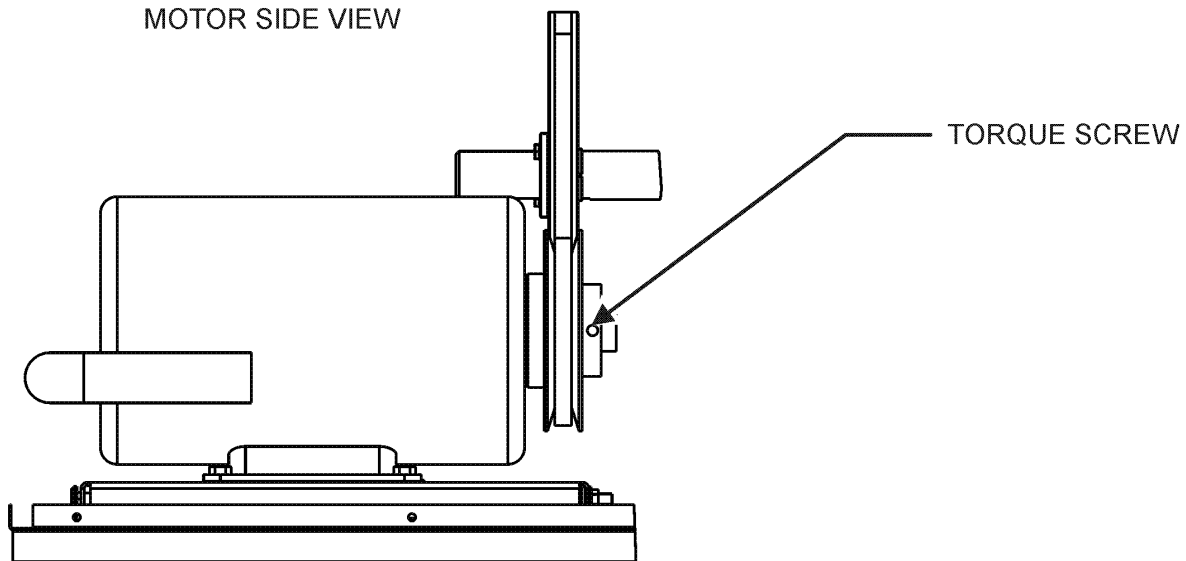
## Expanded Model Nomenclature

M1 - DCG3004003WHDNAA
M2 - DCG3004004WAXCAA
M3 - DCG3004004WHSBAA
M4 - DCG3004004WHXXAA
M5 - DCG3004004WVXBAA
M6 - DCG3004004WWDGAA
M7 - DCG3004004WWKGAA
M8 - DCG3004004WXLQAA
M9 - DCG3004004WXXXAA
M10 - DCG3004007WVXXAA

# Blower Assembly



MOTOR SIDE VIEW



# Blower Assembly

Ref. Part No:	Ref. Part No:	Description:	Description:
---------------	---------------	--------------	--------------

**Image 1:**

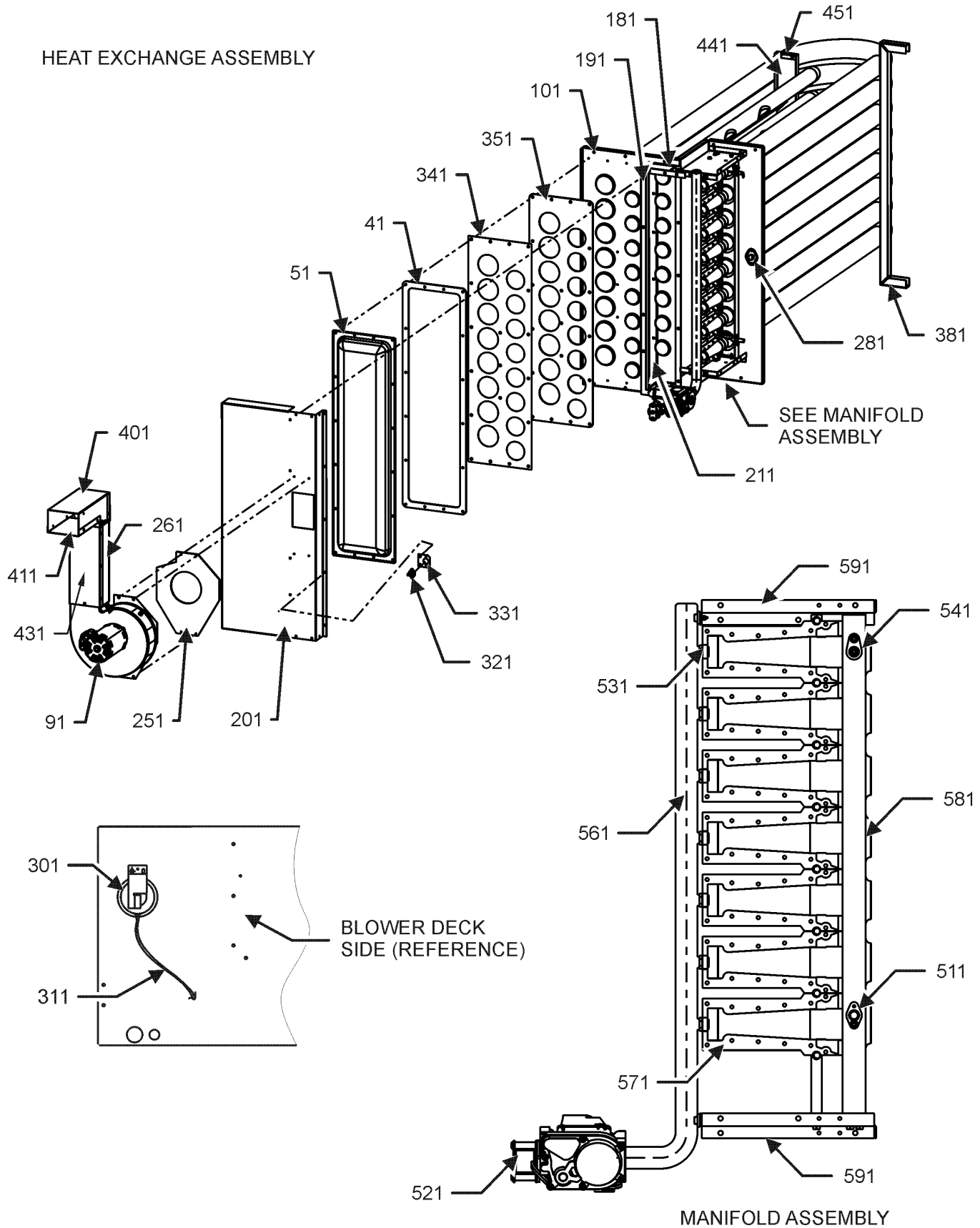
11	0131L00032	MOTOR, 7.5 HP BELT DRIVE 230V (M1)
11	0131L00033	MOTOR, 7.5 HP BELT DRIVE 460V (M2, M3, M4, M5, M6, M7, M8, M9)
11	0131L00034	MOTOR, 7.5 HP BELT DRIVE 575V (M10)
21	0130M00064	LIMIT
31	0163L00068	VP SHEAVE
41	0163L00140	SHEAVE, FIXED BK90H
51	0164L00004	FAN BELT-NOTCHED
61	0121L01430	BASE, MOTOR
71	0121L00482	BLOWER SIDE ANGLE (QTY 4)
81	0121L00479	BLOWER RAIL (QTY 2)
91	0121L01429	BRACKET, DRIVE SCREW
101	0163M00351	BOLT, 3/8-16-6
121	0121L00594	SECONDARY LIMIT BRACKET
241	0271L00027	150-15R BD 1.44 TWIN BLOWER

**Expanded Model Nomenclature**

M1 - DCG3004003WHDNAA
M2 - DCG3004004WAXCAA
M3 - DCG3004004WHSBAA
M4 - DCG3004004WHXXAA
M5 - DCG3004004WVXBAA
M6 - DCG3004004WWDGAA
M7 - DCG3004004WWKGAA
M8 - DCG3004004WXLQAA
M9 - DCG3004004WXXXAA
M10 - DCG3004007WVXXAA

# Heat Exchange Assembly

HEAT EXCHANGE ASSEMBLY



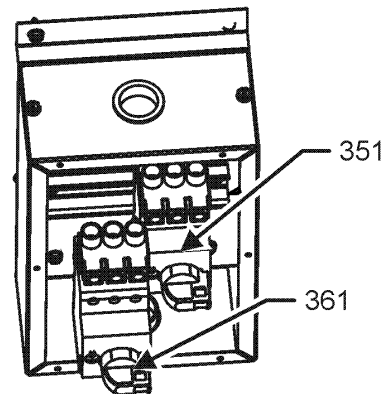
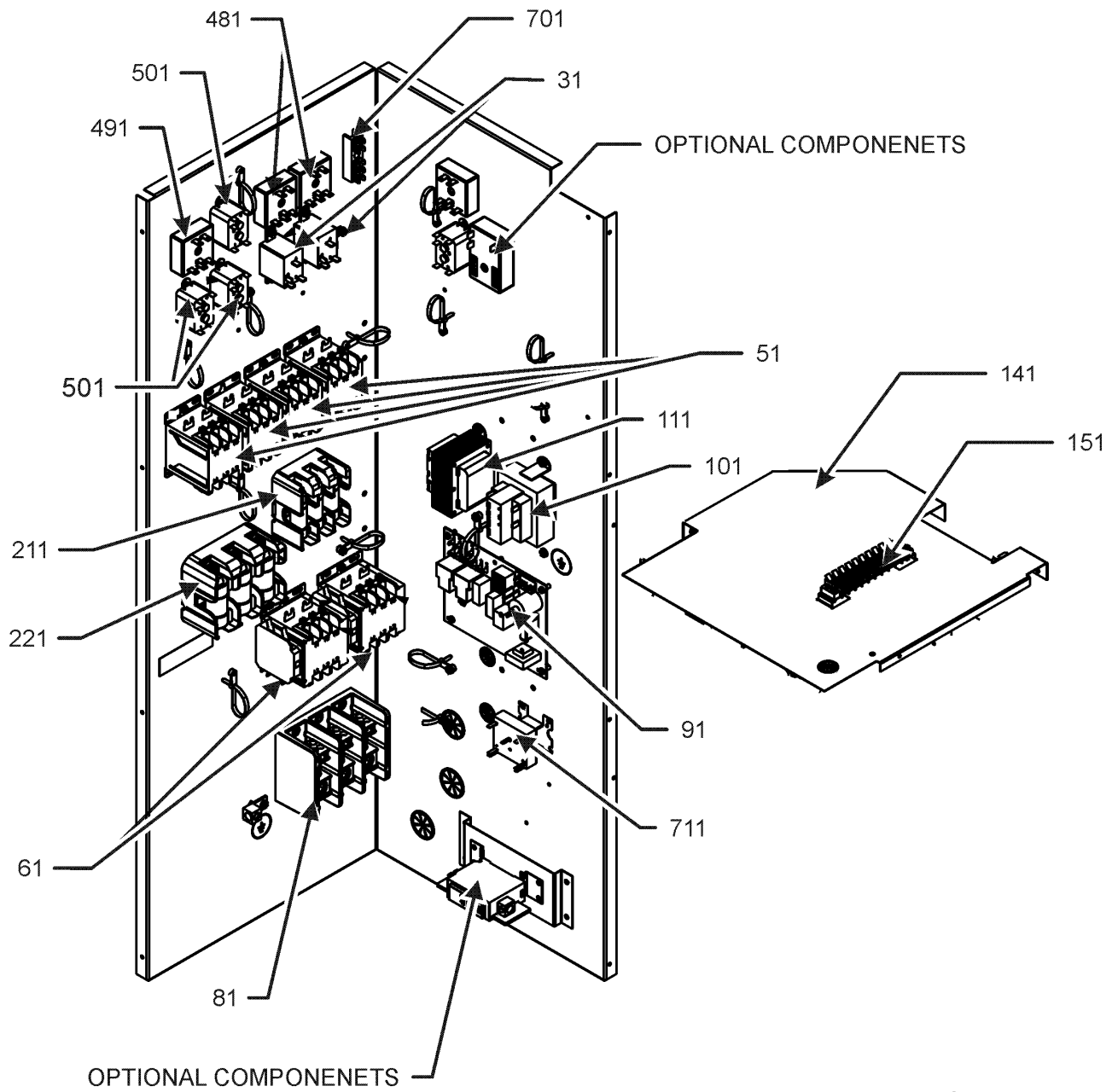
# Heat Exchange Assembly

Ref. Part No:	Part No:	Description:	Ref. Part No:	Part No:	Description:
<b>Image 1:</b>					
41	0154L00025	GASKET-COVER REAR 8			
51	0121L00545	COVER-REAR 8 TUBE			
91	0131L00014	MOTOR-ID VENT			
101	0270L00186	PARTITION TUBE ASSY 8B (M1, M2, M4, M5, M6, M9, M10)			
101	0270L00221	PARTITION TUBE ASSY-8B SS (M3, M7, M8)			
181	0154L00026	INNER COLLECTOR BOX GASKET			
191	0154L00027	OUTER COLLECTOR BOX GASKET			
201	0121L00550	COVER-COLLECTOR BOX 8			
211	0121L00546	CHANNEL-COLLECTOR BOX 8			
251	0154L00029	ID BLOWER GASKET			
261	0121L00668	FLUE WRAPPER, BACK			
281	20162903	LIMIT-BLUE (M3, M7, M8)			
281	0130M00063	PRIMARY LIMIT - GOLD 140° (M1, M2, M4, M5, M6, M9, M10)			
301	11112501	PRESSURE SWITCH (M3, M7, M8)			
311	A3468601	PRESSURE SWITCH HOSE			
321	10123529	MANUAL RESET LIMIT			
331	0121L00053	FLAME ROLLOUT BRACKET			
341	0121L00548	PLATE-TUBE PANEL 8 (M3, M7, M8)			
351	0154L00028	GASKET-TUBE PANEL 8			
381	0121L00930	SUPPORT-HEAT TUBES 2.25			
401	0121L00670	FLUE-EXIT WRAPPER (M3, M7, M8)			
401	0121L02100	FLUE-EXIT WRAPPER (M1, M2, M4, M5, M6, M9, M10)			
411	0121L00671	FLUE COVER EXIT			
431	0121L00669	FLUE COVER, FRONT			
441	0121L00808	SUPPORT-HEAT TUBES 2.25			
451	0121L00823	BRACKET-TUBE SUPPORT (QTY 2)			
511	20261709	IGNITOR			
521	0151M00015	VALVE, GAS (HW) VR83			
531	0163L00014	ORIFICE (QTY 8)			
541	0130F00010	FLAME SENSOR			
561	0163L00033	MANIFOLD-GAS 8 BURNER			
571	0163L00000	BECKETT BURNER (QTY 8)			
581	0121L00635	BRACKET-8 BURNERS			
591	0121G00268	BRACKET-BURNER TOP/BOT (QTY 2)			
NS	0163L00040	FLUE SCREEN			

## Expanded Model Nomenclature

M1 - DCG3004003WHDNAA
M2 - DCG3004004WAXCAA
M3 - DCG3004004WHSBAA
M4 - DCG3004004WHXXAA
M5 - DCG3004004WVXBAA
M6 - DCG3004004WWDGAA
M7 - DCG3004004WWKGAA
M8 - DCG3004004WXLQAA
M9 - DCG3004004WXXXAA
M10 - DCG3004007WVXXAA

# Control Box Assembly



CAPACITOR ASSEMBLY

# Control Box Assembly

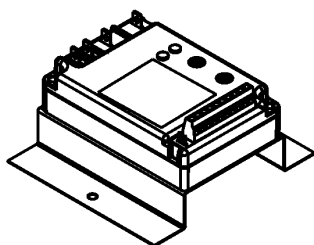
Ref. Part No:	Ref. Part No:	Description:	Description:
<b>Image 1:</b>		<b>Expanded Model Nomenclature</b>	
31	0130M00242	REALY, 24V (QTY 2)	M1 - DCG3004003WHDNAA
51	CONT3P030024V	CONT, 3 POLE, 30 AMP, 24 VAC (QTY 4)	M2 - DCG3004004WAXCAA
61	0130M00249	AUXILLARY SWITCH (QTY 2)	M3 - DCG3004004WHSBAA
81	0130M00042	POWER BLOCK (M1, M2, M3, M4, M5, M6, M7, M8, M9)	M4 - DCG3004004WHXXAA
91	PCBAG123	IGNITION BOARD, DSI INTEGRATED	M5 - DCG3004004WVXBAA
101	0130M00596	TRANS, 150VA, 480V TO 230V (M2, M3, M4, M5, M6, M7, M8, M9)	M6 - DCG3004004WWDGAA
101	0130M00597	TRANS, 150VA, 575V TO 230V (M10)	M7 - DCG3004004WWKGAA
101	0130M00594	TRANSFORMER (M1)	M8 - DCG3004004WXLQAA
111	0130M00595	TRANSFORMER, 75VA, 480V TO 24V (M2, M3, M4, M5, M6, M7, M8, M9)	M9 - DCG3004004WXXXAA
111	0130M00598	TRANSFORMER, 75VA, 575V TO 24V (M10)	M10 - DCG3004007WVXXAA
141	0121L01281	HIGH VOLTAGE BARRIER	
151	0130M00240	TERMINAL BOARD	
211	0130M00246	FUSE BLOCK	
221	0130M00247	FUSE BLOCK	
351	0130L00083	ROTARY MANUAL MOTOR PROTECTOR (M2, M3, M4, M5, M6, M7, M8, M9, M10)	
351	0130L00085	ROTARY MANUAL MOTOR PROTECTOR (M1)	
361	0130L00084	ROTARY MANUAL MOTOR PROTECTOR (M2, M3, M4, M5, M6, M7, M8, M9, M10)	
361	0130L00086	ROTARY MANUAL MOTOR PROTECTOR (M1)	
481	0130M00263	RELAY, THERMISTOR (QTY 2)	
491	0130M00264	RELAY, THERMISTOR	
501	10135604	RELAY (QTY 3)	
701	802007090	TERMINAL BOARD	
711	0130M00025	RELAY, SPDT	
NS	0121L01012	CIRCUIT BREAKER BOX	
NS	0121L01011	CIRCUIT BREAKER BOX BRACKET	
NS	0121L01013	CIRCUIT BREAKER BOX COVER	
NS	0259L00190	CIRCUIT BREAKER HARNESS (M7)	
NS	0130L00101	FUSE, J CLASS (QTY 3)	
NS	0130L00102	FUSE, J CLASS (QTY 3)	
NS	0259L00252	HARN, BC_BR_CCR, 2 SPD EM	
NS	0259L00278	HARN, CH/LPS/HPS, C1	
NS	0259L00279	HARN, CH/LPS/HPS, C2	
NS	0259L00203	HARN, IGN SUB-ASSY 2, ECON PLF	
NS	0259L00204	HARN, IGN, SUB-ASSY 1, IGN PLM	
NS	0259L00229	HARN, PWR & CNTL, GAS	
NS	0259L00199	HARN, PWR, PB TO FB	
NS	0259L00217	HARNESS	
NS	0259L00218	HARNESS	
NS	0259L00222	HARNESS	
NS	0259L00247	HARNESS, CC_CMC	
NS	0259L00253	HARNESS, FREEZE STAT	
NS	0259L00288	HARNESS, POWER, EM INTERCONN	
NS	0259L00181	HARNESS-BELT DRIVE 2 SP MOTOR (M7)	
NS	0130M00271	MODULE, CYCLE TIMER (M2, M8)	
NS	0130L00105	PHASE MONITOR (M8)	
NS	0130M00265	RELAY, THERMISTOR (M2, M8)	
NS	0130M00276	SOLID STATE CONTACTOR (M2, M8)	
NS	0259L00473	WIRE ASSY (M8)	
NS	0259L00474	WIRE ASSY (M8)	

# Accessory Parts List

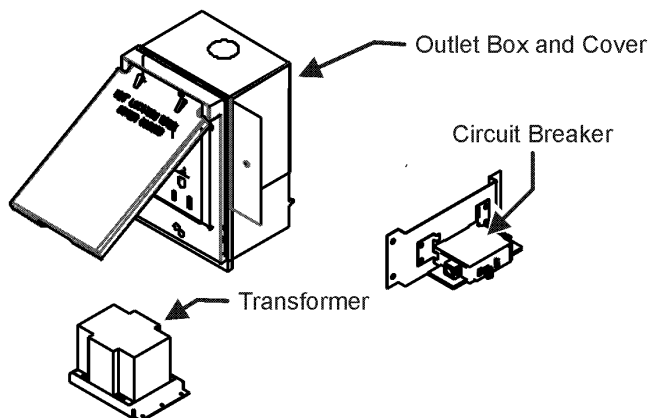
## ACCESSORY PARTS LIST

NOTE: NOT ALL OPTIONS AVAILABLE FOR ALL PRODUCTS

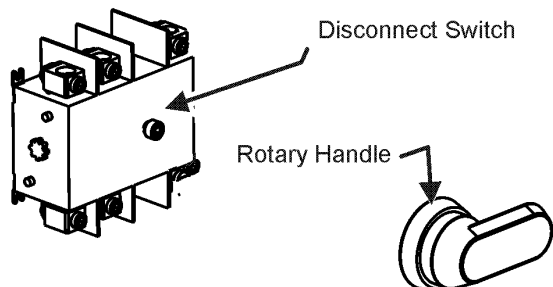
### 1 LOW AMBIENT KITS



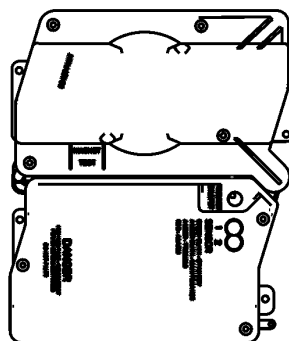
### 2 GFCI CONVENIENCE OUTLET



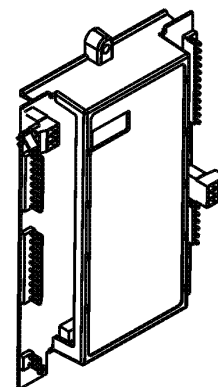
### 3 DISCONNECT MODULE (NON-FUSED)



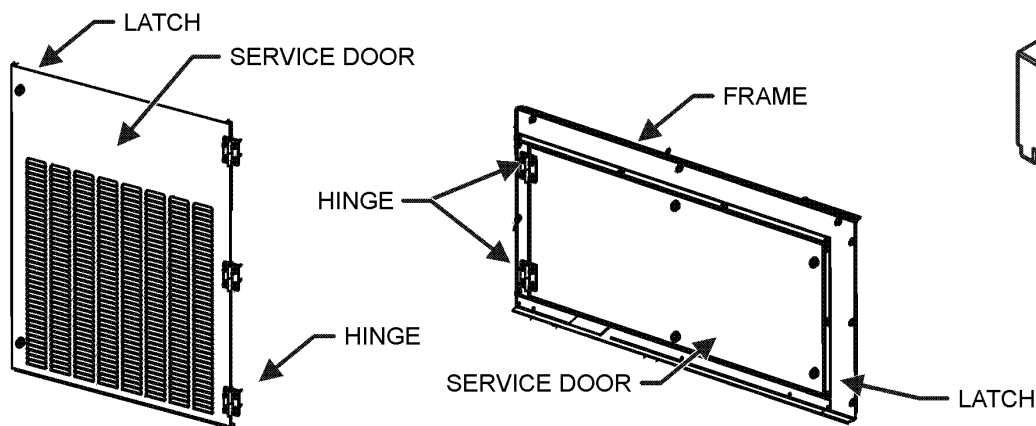
### 4 SMOKE DETECTORS



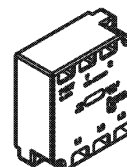
### 5 DDC CONTROL



### 6 HINGED DOOR ASSEMBLIES



### 7 PHASE MONITOR



# Accessory Parts List

Ref. Part No:	Ref. Part No:	Description:	Description:
<b>Image 1:</b>			
NS DDNECNJ180300B		15-25 TON DFLOW ECONOMIZER (M5, M6, M7, M10)	
NS 1036611B		15-25T DFLOW ECON, DDC (M2)	
NS 0121L00316		BRACKET-CONV OUTLET MOUNT (M1, M3, M5, M6, M7, M8)	
NS 0121L00855		BRACKET-DISCONNECT SWITCH (M1, M3, M4, M6, M7)	
NS 0121L01053		BRACKET-SMOKE DETECTOR (M1, M6, M7, M8)	
NS 0130M00065		CIRCUIT BREAKER, CONVENIENCE OUTLET (M1, M3, M5, M8)	
NS 0121L01603NG		CONTROL DOOR (M1, M6, M7, M8)	
NS 0121L00839NG		DISCONNECT COVER (M1, M3, M4, M6, M7)	
NS 0121L01601NG		FILTER DOOR (M1, M6, M7, M8)	
NS 0130L00012		GANG BOX-GFCI OUTLET (M1, M3, M5, M6, M7, M8)	
NS 0130L00039		HANDLE, ROTARY (M1)	
NS 0163M00306		HINGE (QTY 2)	
NS 0163M00307		HINGE, LEFT HAND (M1, M6, M7, M8)	
NS 0163M00360		LATCH (M1, M6, M7, M8)	
NS LAKT300FIAC2		LOW AMBIENT KIT, 25 TON (M2, M8)	
NS 0161G00012		POWER OUTLET BOX (M1, M3, M5, M6, M7, M8)	
NS 0130L00103		RECEPTACLE-GFCI OUTLET (M1, M3, M5, M6, M7, M8)	
NS 0121L01486NG		SERVICE DOOR BACK BLOWER (M1, M6, M7, M8)	
NS 0121L01484NG		SERVICE DOOR FRAME, BLOWER (M1, M6, M7, M8)	
NS 0121L01485NG		SERVICE DOOR FRONT BLOWER (M1, M6, M7, M8)	
NS 0130L00043		SHAFT, CUT (M1)	
NS 0130L00058		SHAFT, CUT (M3, M4, M6, M7)	
NS 0130L00049		SHAFT, DISCONNECT (M1, M3, M4, M6, M7)	
NS D4120		SMOKE DETECTOR, PHOTO 4WIRE (M1, M6, M7, M8)	
NS 0130L00027		SWITCH-DISCONNECT 100A (M3, M4, M6, M7)	
NS 0130L00033		SWITCH-DISCONNECT 200A (M1)	
NS 0130M00061		TRANSFORMER, CONVENIENCE OUTLET (M1, M3, M5, M8)	

## Expanded Model Nomenclature

- M1 - DCG3004003WHDNAA
- M2 - DCG3004004WAXCAA
- M3 - DCG3004004WHSBAA
- M4 - DCG3004004WHXXAA
- M5 - DCG3004004WVXBAA
- M6 - DCG3004004WWDGAA
- M7 - DCG3004004WWKGAA
- M8 - DCG3004004WXLQAA
- M9 - DCG3004004WXXXAA
- M10 - DCG3004007WVXXAA