

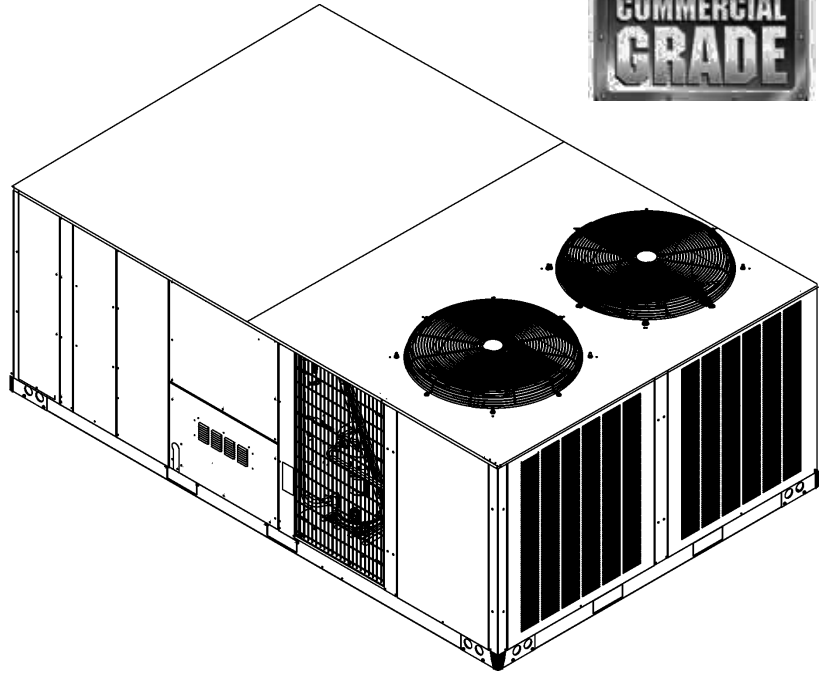
Light Commercial 25 Ton 2-Speed Package Gas Units

DCG3004003VXXXAA

DCG3004004VXXXAA

DCG3004004VXXYAA

DCG3004007VXXXAA



This manual is to be used by qualified technicians only.

© 2015 **DAIKIN COMPANY, L.P.** ♦ 5151 San Felipe St., Suite 500 ♦ Houston, TX 77056

Important Information

Index

Functional Parts List	3
Illustration and Parts	4 - 25

Views shown are for parts illustrations only, not servicing procedures

Text Codes:

AR - As Required

NA - Not Available

NS - Not Shown

00000000 - See Note

QTY - Quantity Example (QTY 3) (If Quantity not shown, Quantity = 1)

M - Model Example (M1) (If M Code not shown, then part is used on all Models)

Expanded Model Nomenclature:

Example M1 - Model#1 M2 - Model#2 M3 - Model#3

Daikin Company, L.P. is not responsible for personal injury or property damage resulting from improper service. Review all service information before beginning repairs.

Warranty service must be performed by an authorized technician, using authorized factory parts. If service is required after the warranty expires, Daikin Company, L.P. also recommends contacting an authorized technician and using authorized factory parts.

Daikin Company, L.P. reserves the right to discontinue, or change at any time, specifications or designs without notice or without incurring obligations.

For assistance within the U.S.A. contact:

Consumer Affairs Department

Daikin North America, LLC

7401 Security Way

Houston, Texas 77040

855-770-5678-Telephone

713-863-2382-Facsimile

For assistance outside the U.S.A. contact:

International Division

Daikin North America, LLC

7401 Security Way

Houston, Texas 77040

713-861-2500-Telephone

713-863-2382-Facsimile

Functional Parts

Part

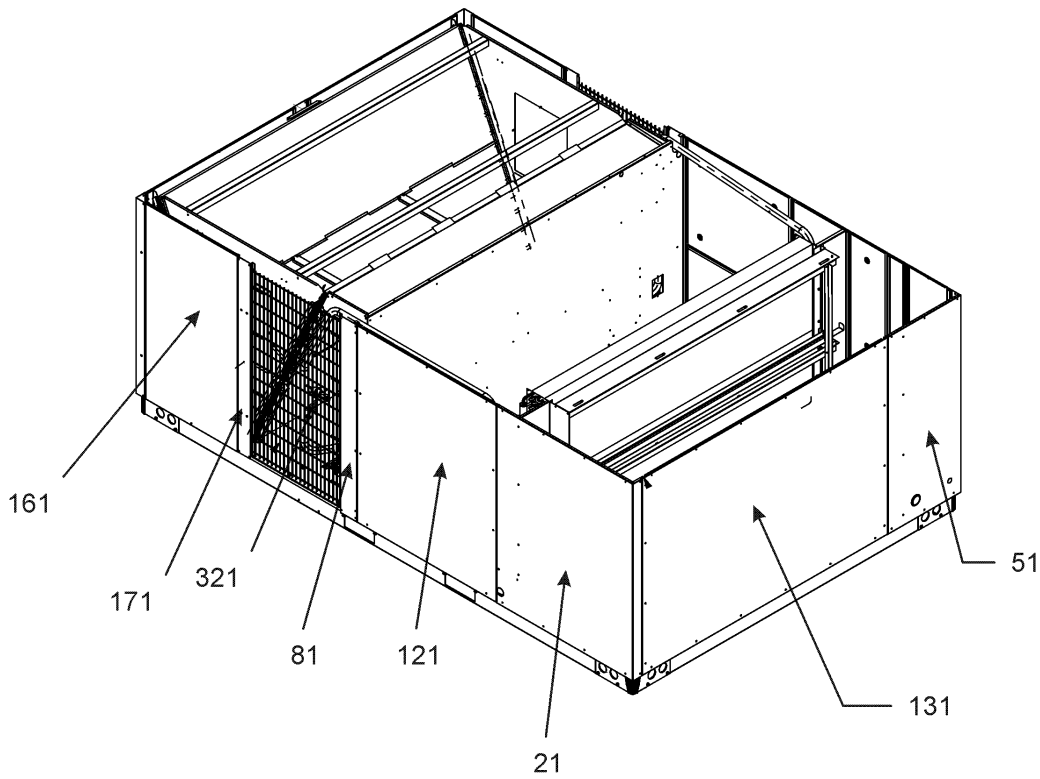
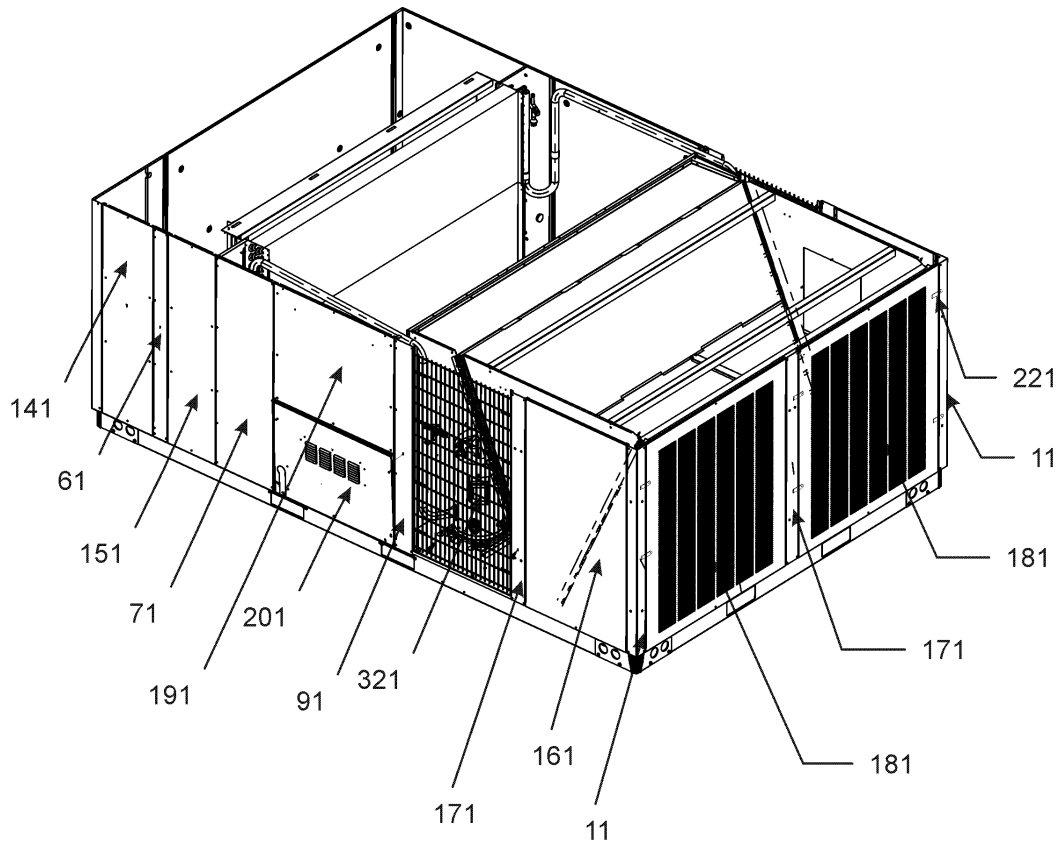
No: Description:

0271L00027	150-12R BD 1.18 TWIN BLOWER
0130M00025	24V RELAY
0130M00249	AUXILLARY SWITCH (QTY 2)
0163L00000	BECKETT BURNER (QTY 8)
ZP137KCETFE155	COMP, 136,000, 575/60/3 (M4)
ZP137KCETF5250	COMP, 137000, 200/230/60/3 (M1)
ZP137KCETFD155	COMPRESSOR 135,000, 460/60/3 (M2, M3)
CONT3P030024V	CONTACTOR 30 AMP, 3P, 24V (QTY 3)
0130L00020	CRANK CASE HEATER, 90W, 240V (M1)
0130L00021	CRANK CASE HEATER, 90W, 480V (M2, M3)
0130L00022	CRANK CASE HEATER, 90W, 575V (M4)
PCBAG123	IGNITION BOARD, DSI INTEGRATED
10123529	MANUAL RESET LIMIT-GREEN
0131L00032	MOTOR, 7.5 HP BELT DRIVE 230V (M1)
0131L00033	MOTOR, 7.5 HP BELT DRIVE 460V (M2, M3)
0131L00034	MOTOR, 7.5 HP BELT DRIVE 575V (M4)
0164L00005	NOTCHED FAN BELT BX46
0130M00042	POWER BLOCK (M1, M2, M3)
11112501	PRESSURE SWITCH
0130M00063	PRIMARY LIMIT - GOLD 140°
0130M00242	REALY, 24V (QTY 2)
10135604	RELAY (QTY 3)
0130M00263	RELAY, THERMISTOR (QTY 2)
0130M00264	RELAY, THERMISTOR
802007090	TERMINAL BOARD
0130M00144	TRANSFORMER (M1)
0130M00146	TRANSFORMER 480V TO 230V, 150VA (M2, M3)
0130M00145	TRANSFORMER 480V to 24V, 75VA (M2, M3)
0130M00147	TRANSFORMER 575V TO 230V, 150VA (M4)
0130M00148	TRANSFORMER 575V to 24V, 75VA (M4)
0131L00014	VENT MOTOR

Expanded Model Nomenclature

M1 - DCG3004003VXXXAA
M2 - DCG3004004VXXXAA
M3 - DCG3004004VXXYAA
M4 - DCG3004007VXXXAA

Cabinet Assembly



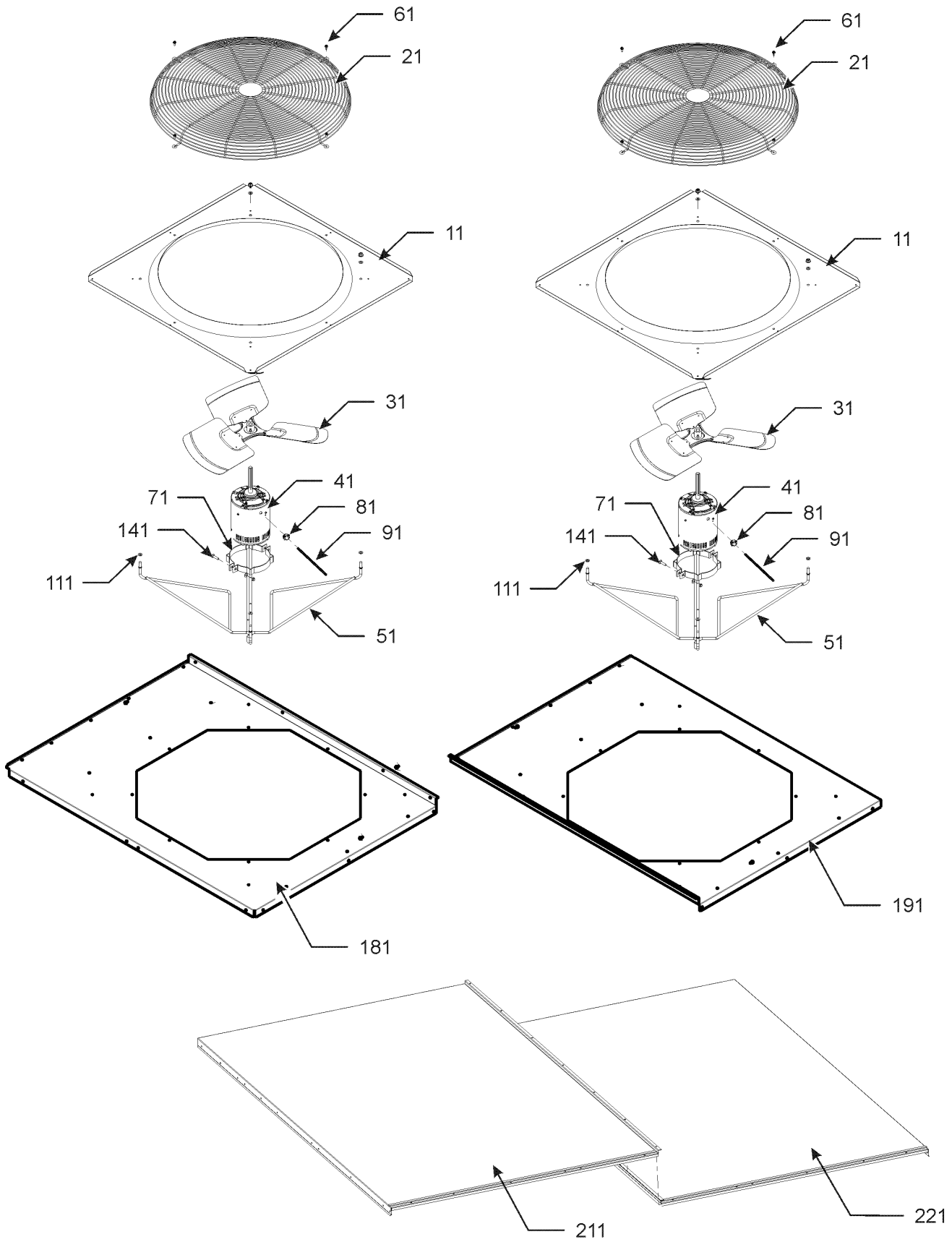
Cabinet Assembly

Ref. Part No:	No:	Description:	Ref. Part No:	No:	Description:
<i>Image 1:</i>					
11	0121L01143NG	POST, CORNER (QTY 2)			
21	0121L00681NG	EVAPORATOR PANEL			
51	0121L00679NG	CONTROL CORNER PANEL			
61	0121L00673NG	CONTROL/FILTER POST			
71	0121L00710NG	POST/BLOWER DOOR			
81	0121L00903NG	POST PARTITION-EVAP SIDE			
91	0121L00904NG	POST PARTITION-GAS FLUE			
121	0121L00685NG	BLOWER DOOR-EVAP SIDE			
131	0121L00688NG	ACCESSORY PANEL			
141	0121L00687NG	CONTROL DOOR			
151	0121L00686NG	FILTER DOOR			
161	0121L00907NG	PANEL-COND SIDE (QTY 2)			
171	0121L01144NG	POST, COND PANEL (QTY 3)			
181	0121L01174NG	LOUVER PANEL (QTY 2)			
191	0121L00713NG	BLOWER DOOR-GAS SIDE			
201	0121L00712NG	BURNERS DOOR			
221	0121L00476NG	TURNBUCKLE DOOR (QTY 16)			
321	0152L00000	GRILLE-CONDENSER (QTY 2)			
NS	M0204317	SCREW-MACHINE (QTY 16)			

Expanded Model Nomenclature

M1 - DCG3004003VXXXAA
M2 - DCG3004004VXXXAA
M3 - DCG3004004VXXYAA
M4 - DCG3004007VXXXAA

Top Panel Assembly



Top Panel Assembly

Ref. Part No: No:	Description:	Ref. Part No: No:	Description:
-------------------	--------------	-------------------	--------------

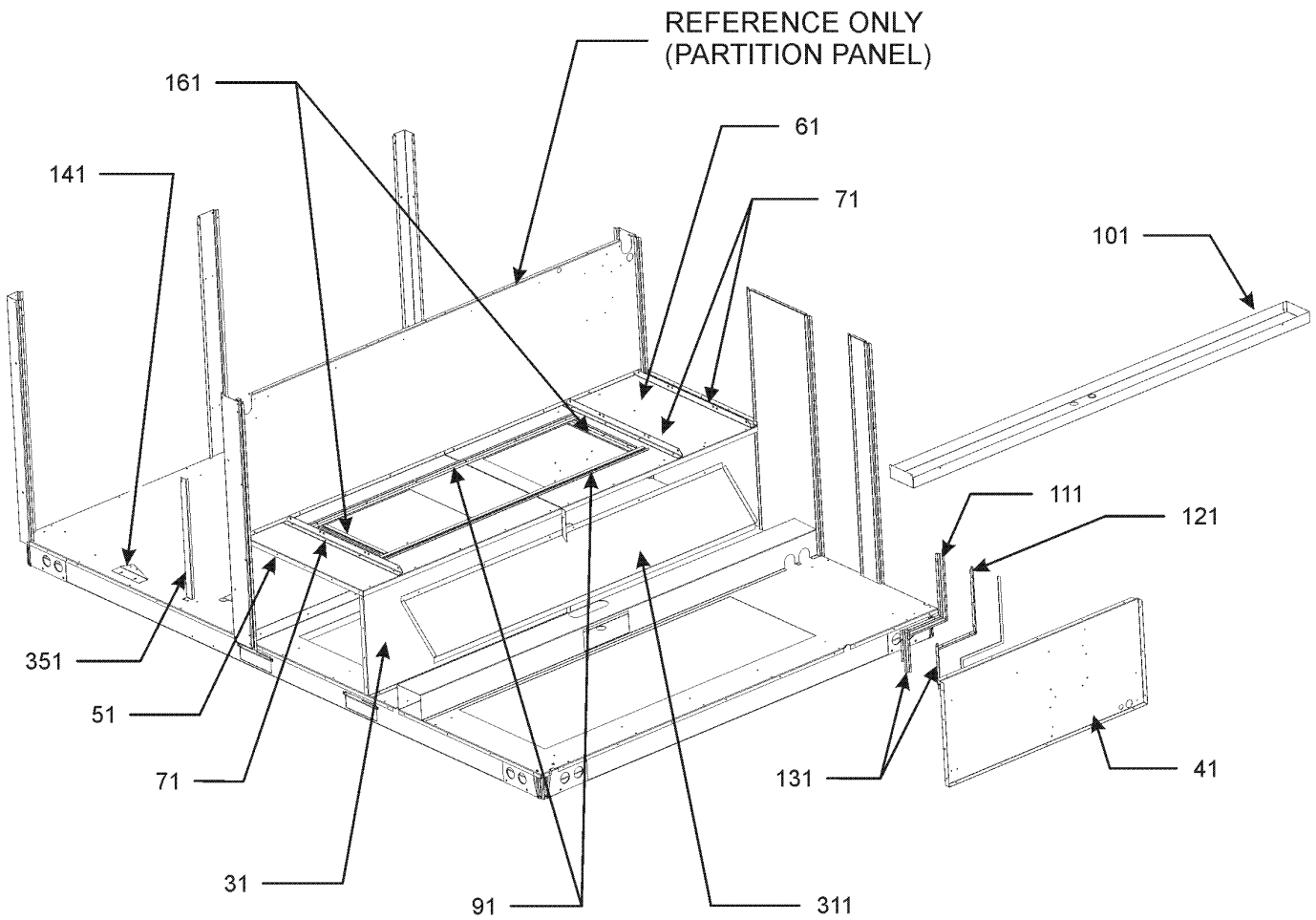
Image 1:

11	0121L01151NG	FAN PANEL 30" (QTY 2)
21	0152L00003	FAN GRILLE (QTY 2)
31	0150M00044	FAN BLADE (QTY 2)
41	0131M00697	MOTOR, COND (M1, M2, M3)
41	0131M00721	MOTOR, COND 575 V (M4)
51	0163L00080	MOTOR MOUNT (QTY 2)
61	0163M00097	WASHERED SCREW (QTY 8)
71	0163L00082	MOTOR CLAMP BAND (QTY 2)
81	B1393726	ELECT. CONNECTING BUSHING (QTY 2)
91	0259L00219	POWER HARNESS, CM PIGTAIL (QTY 2)
111	B1392912	FLAT WASHER 3/8 ID X 7/8 OD (QTY 16)
141	0163M00275	CARRIAGE BOLT (QTY 8)
181	0121L01081NG	TOP, FAN C1
191	0121L01094NG	TOP, FAN C2
211	0121L00693NG	TOP-CONTROL SIDE
221	0121L00694NG	TOP PANEL ASSY

Expanded Model Nomenclature

M1 - DCG3004003VXXXAA
M2 - DCG3004004VXXXAA
M3 - DCG3004004VXXYAA
M4 - DCG3004007VXXXAA

Partition Assembly



Partition Assembly

Ref. Part No:	No:	Description:	Ref. Part No:	No:	Description:
---------------	-----	--------------	---------------	-----	--------------

Image 1:

31	0121L01163	DECK, SIDE DUCT END
41	0121L01162	DECK, SIDE HEAT END
51	0121L01160	BLOWER DECK, EVAP SIDE
61	0121L01161	BLOWER DECK, MOTOR SIDE
71	0121L00714	MOTOR MOUNT ANGLE (QTY 3)
91	0121L00478	BLOWER DECK RAIL (QTY 2)
101	0270L00612DG	WELDMENT-DRAIN PAN
111	0121L00551	HEAT EXCHANGER ANGLE, RH SIDE
121	0121L00552	HEAT EXCHANGER ANGLE, LH SIDE
131	0121L00553	LOWER HEAT EXCHANGER ANGLE (QTY 2)
141	0121L00913	BRACKET-COND/BASEPAN (QTY 2)
161	0121L00481	BLOWER RAIL (QTY 2)
311	0121L01158	SHIELD, BLOWOFF
351	0121L00901	BRACE-COND COILS (QTY 2)

Expanded Model Nomenclature

M1 - DCG3004003VXXXAA
M2 - DCG3004004VXXXAA
M3 - DCG3004004VXXYAA
M4 - DCG3004007VXXXAA

Basepan / Compressor / Tubing Assembly

Image 1

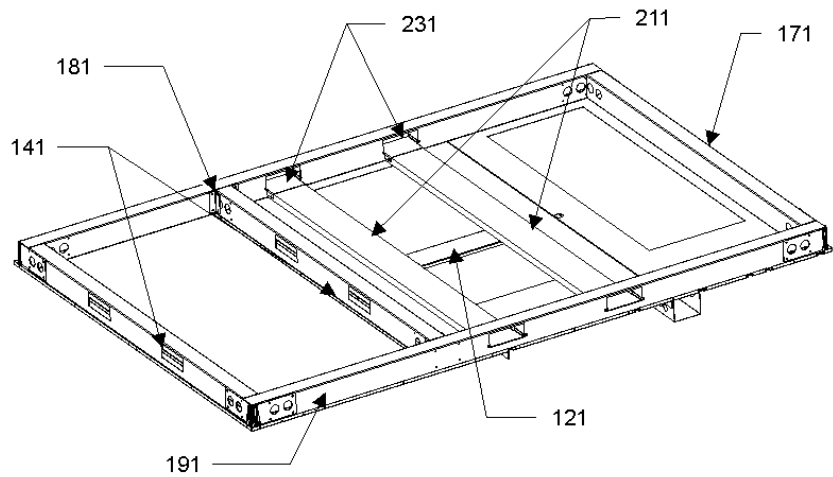
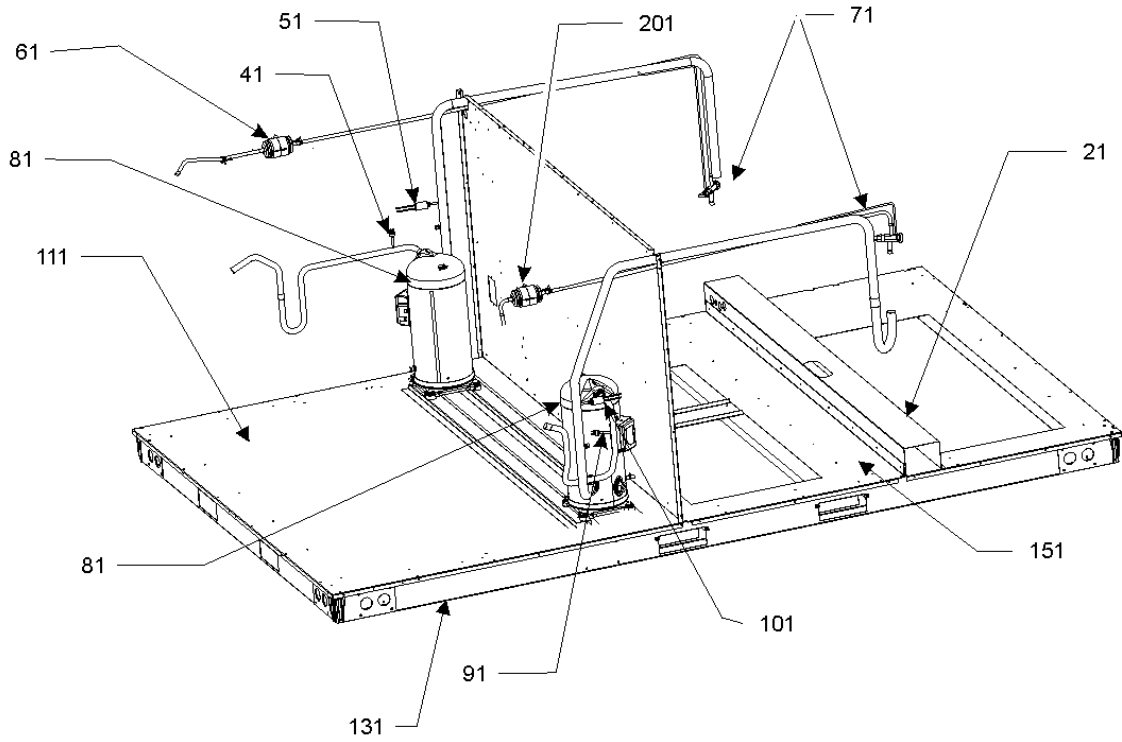


Image 2

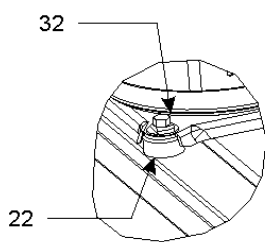
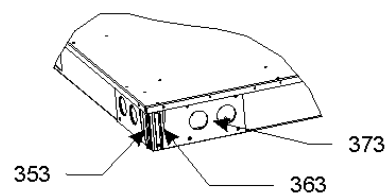


Image 3



Basepan / Compressor / Tubing Assembly

Ref. Part No: No:	Description:	Ref. Part No: No:	Description:
-------------------	--------------	-------------------	--------------

Image 1:

21	0270L00189	BASEPAN WELDMENT, RETURN SIDE
41	0130M00074	CUT-OUT SWITCH, HIGH PRESSURE
51	0130M00087	CUT-OUT SWITCH, LOW PRESSURE
61	0162L00025	FILTER DRIER
71	0210L00470	TXV WELDMENT (QTY 2)
81	ZP137KCETFE155	COMP, 136,000, 575/60/3 (M4)
81	ZP137KCETF5250	COMP, 137000, 200/230/60/3 (M1)
81	ZP137KCETFD155	COMPRESSOR 135,000, 460/60/3 (M2, M3)
91	0130M00074	CUT-OUT SWITCH, HIGH PRESSURE
101	0130M00087	CUT-OUT SWITCH, LOW PRESSURE
111	0270L00336	BASEPAN WELD, OUTDOOR
121	0121L00605	FORK BOARD PLATE
131	0121L00720	SIDE RAIL
141	0121L00721	BASE RAIL, CONDENSER END (QTY 2)
151	0121L00948	BASE PAN-SUPPLY
171	0121L00722	BASE RAIL, ACCESSORY END
181	0121L00625	COMPRESSOR RAIL BRACKET (QTY 4)
191	0121L00719	CONTROL SIDE BASE RAIL
201	0162L00025	FILTER DRIER
211	0141L00029	FORK BOARD (QTY 2)
231	0121L00724	FORK BOARD BRACKET (QTY 4)
NS	0163M00175	CAP WITH O-RING (QTY 6)
NS	0159L00061	COMPRESSOR SCROLL HARNESS (M1)
NS	0159L00062	COMPRESSOR SCROLL HARNESS (M1)
NS	0159L00063	COMPRESSOR SCROLL HARNESS (M2, M3, M4)
NS	0159L00064	COMPRESSOR SCROLL HARNESS (M2, M3, M4)
NS	0130L00020	CRANK CASE HEATER, 90W, 240V (M1)
NS	0130L00021	CRANK CASE HEATER, 90W, 480V (M2, M3)
NS	0130L00022	CRANK CASE HEATER, 90W, 575V (M4)
NS	0121L00321	SMOKE DETECTOR COVER (M3)

Image 2:

22	0164M00018	COMPRESSOR GROMMET (QTY 8)
32	B1393740	COMPRESSOR BOLT & SLEEVE (QTY 8)

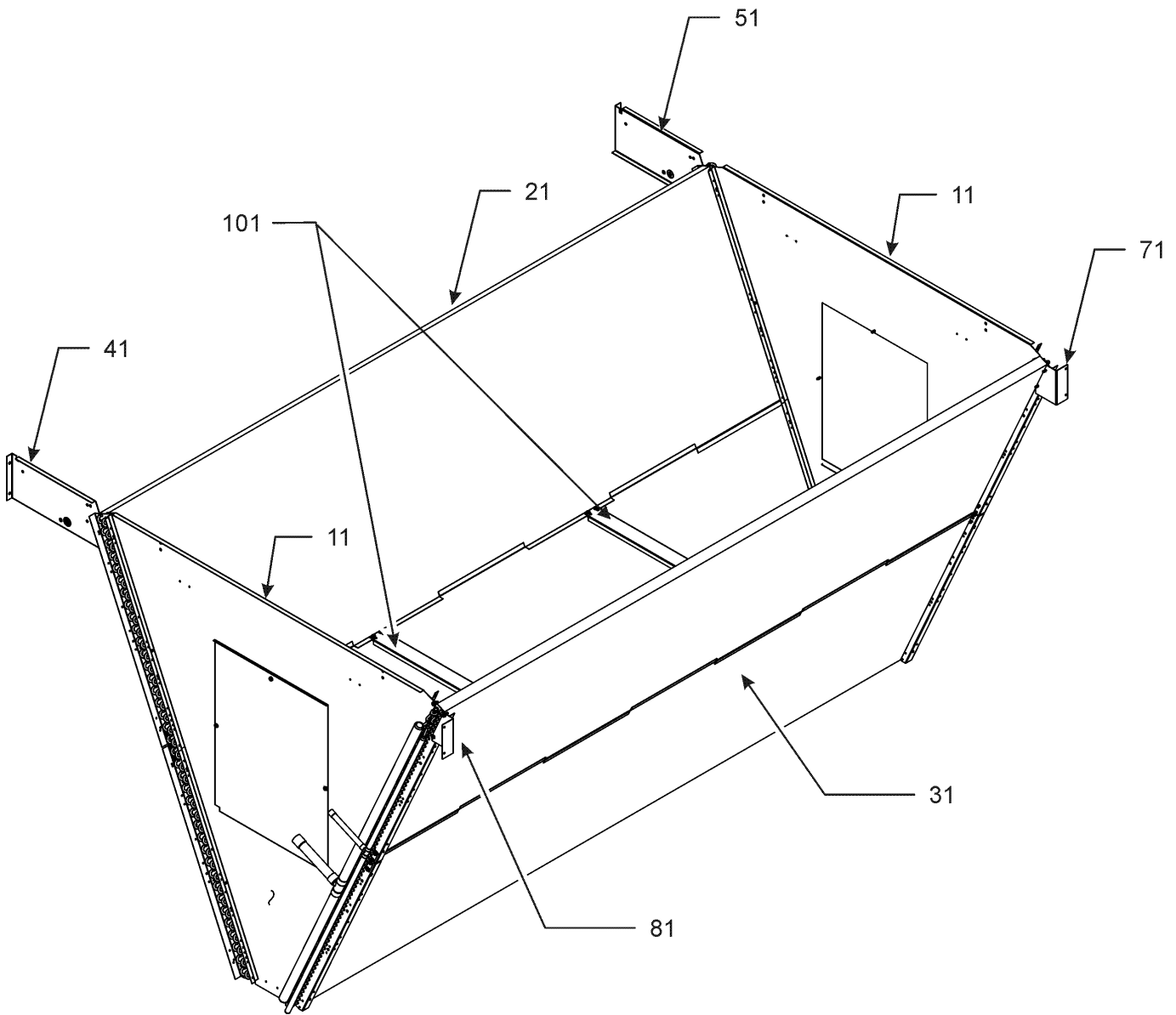
Image 3:

353	0121L00616	RAIL BRACE ANGLE, RIGHT (QTY 4)
363	0121L00617	RAIL BRACE ANGLE, LEFT (QTY 4)
373	0121L00723	BASE RAIL CORNER BRACE (QTY 4)

Expanded Model Nomenclature

M1 - DCG3004003VXXXAA
M2 - DCG3004004VXXXAA
M3 - DCG3004004VXXYAA
M4 - DCG3004007VXXXAA

Condenser Assembly



Condenser Assembly

Ref. Part No:	No:	Description:	Ref. Part No:	No:	Description:
---------------	-----	--------------	---------------	-----	--------------

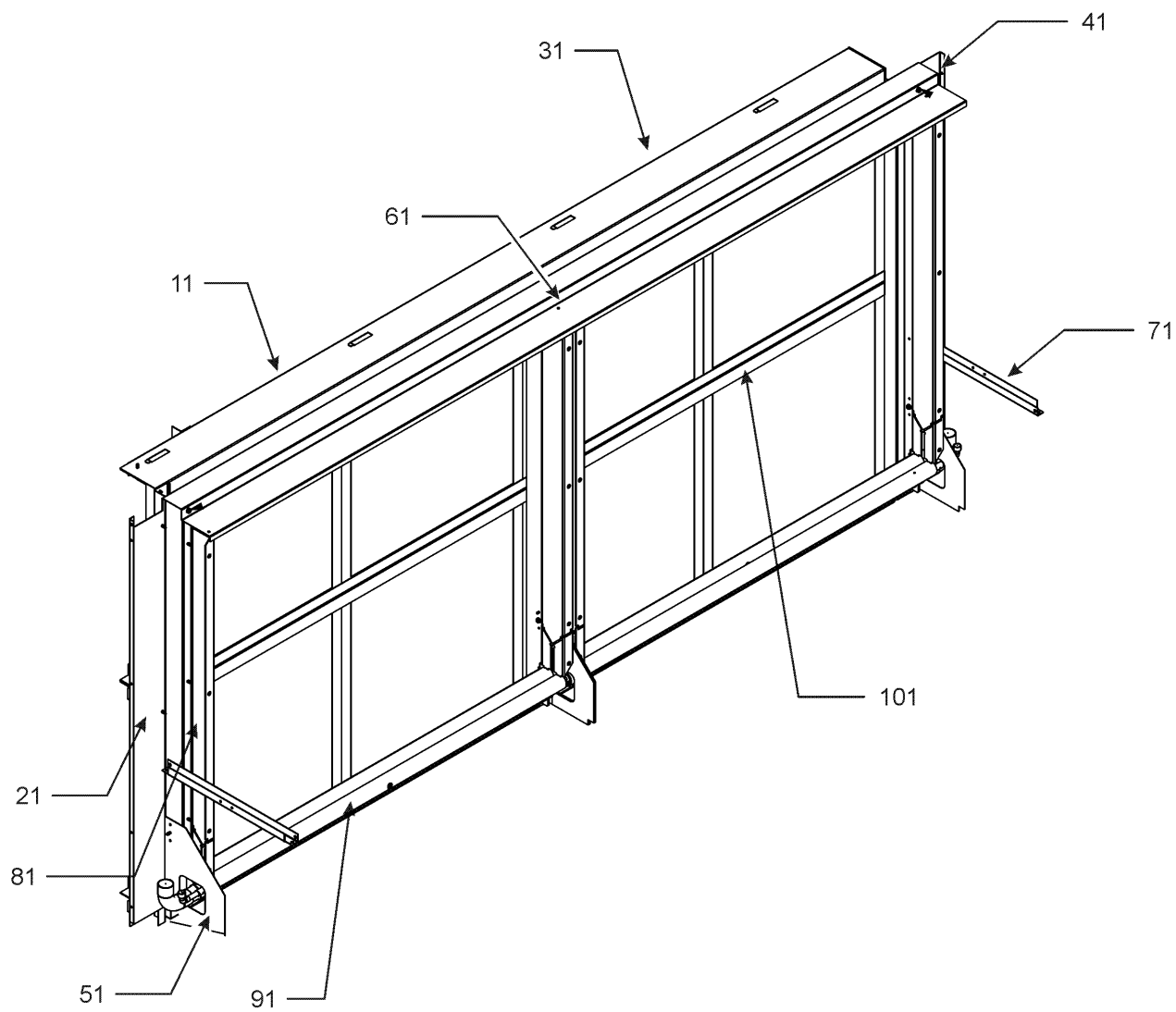
Image 1:

11	0121L00854	END COVER-CONDENSER (QTY 2)
21	0201L00151	CONDENSER COIL ASSY C1
31	0201L00152	CONDENSER COIL ASSY C2
41	0121L01154	BRACKET-CONDENSER END
51	0121L01156	BRACKET-CONDENSER END
71	0121L01153	BRACKET-COND/POST
81	0121L01155	BRACKET-COND/POST
101	0121L00901	COND COILS BRACE (QTY 2)

Expanded Model Nomenclature

M1 - DCG3004003VXXXAA
M2 - DCG3004004VXXXAA
M3 - DCG3004004VXXYAA
M4 - DCG3004007VXXXAA

Evaporator Assembly



Evaporator Assembly

Ref. Part No: No:	Description:	Ref. Part No: No:	Description:
-------------------	--------------	-------------------	--------------

Image 1:

11	0202L00102	EVAP COIL ASSY C1
21	0121L01086	EVAP BLOCKOFF, RIGHT
31	0202L00103	EVAP COIL ASSY C2
41	0121L01085	EVAP BLOCKOFF, LEFT
51	0121L01133	END SUPPORT PLATE (QTY 2)
61	0121L01188	TOP FILTER RACK
71	0121L01164	EVAP COIL SUPPORT BRACKET (QTY 2)
81	0121L01184	ANGLE, FILTER RACK
91	0121L01187	BOTTOM FILTER RACK
101	0270L00614	CENTER FILTER RACK
NS	B1369609	AIR FILTER 20 X 20 X2 (QTY 8)
NS	0121L01178	ANGLED FILTER SLIDER (QTY 4)
NS	0121L01139	BOTTOM BLOCKOFF, FILTER RACK
NS	0121L01137	FILTER PULL (QTY 2)
NS	0121L00632	FILTER SUPPORT ANGLE
NS	0121L01089	MIDDLE EVAP BLOCKOFF, LEFT
NS	0121L01088	MIDDLE EVAP BLOCKOFF, RIGHT

Expanded Model Nomenclature

M1 - DCG3004003VXXXAA
M2 - DCG3004004VXXXAA
M3 - DCG3004004VXXYAA
M4 - DCG3004007VXXXAA

Blower Assembly

Image 1

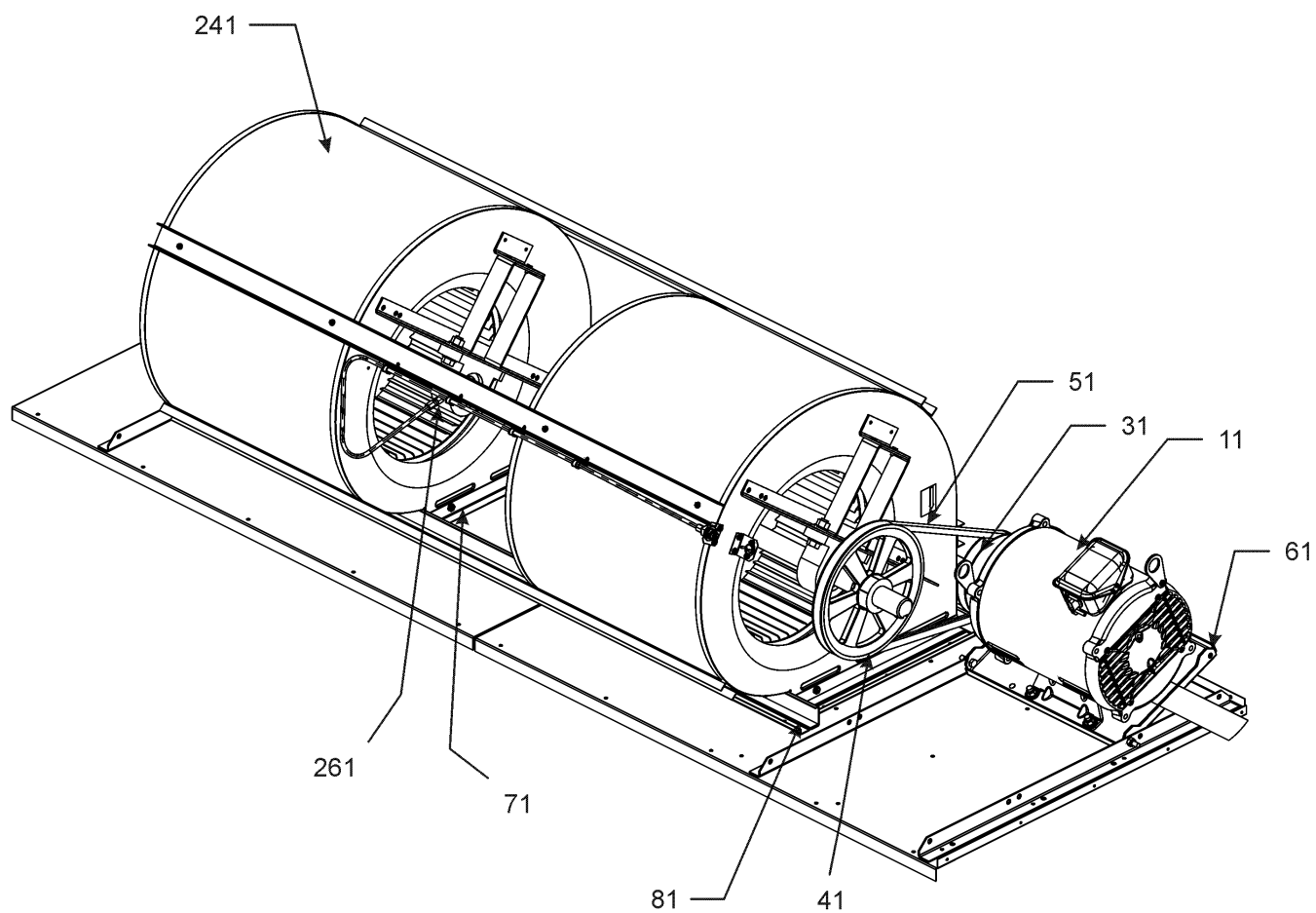
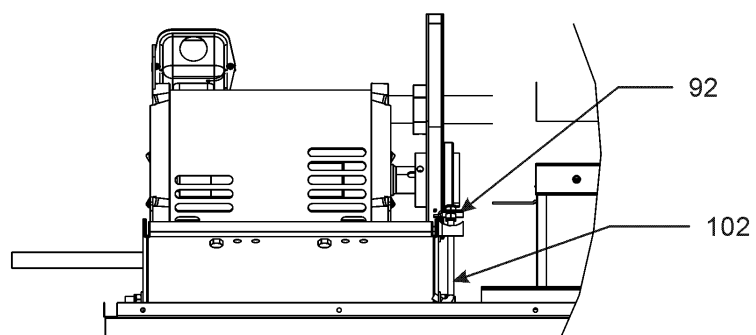


Image 2



Blower Assembly

Ref. Part No: No:	Description:	Ref. Part No: No:	Description:
-------------------	--------------	-------------------	--------------

Image 1:

11	0131L00032	MOTOR, 7.5 HP BELT DRIVE 230V (M1)
11	0131L00033	MOTOR, 7.5 HP BELT DRIVE 460V (M2, M3)
11	0131L00034	MOTOR, 7.5 HP BELT DRIVE 575V (M4)
31	0163L00068	SHEAVE-VARIABLE PITCH
41	0163L00083	FIXED SHEAVE
51	0164L00005	NOTCHED FAN BELT BX46
61	0121L01049	MOTOR BASE PLATE
71	0121L00482	BLOWER SIDE ANGLE (QTY 4)
81	0121L00479	BLOWER RAIL (QTY 2)
241	0271L00027	150-12R BD 1.18 TWIN BLOWER
261	04-02197	BLOWER BEARING & FRAME ASSY
NS	0121L00053	FLAME ROLLOUT BRACKET

Image 2:

92	0121L00557	MOTOR ADJUST BRACKET
102	0163L00034	HOOKED BOLT

Expanded Model Nomenclature

M1 - DCG3004003VXXXAA
M2 - DCG3004004VXXXAA
M3 - DCG3004004VXXYAA
M4 - DCG3004007VXXXAA

Heat Exchanger Assembly

Image 1

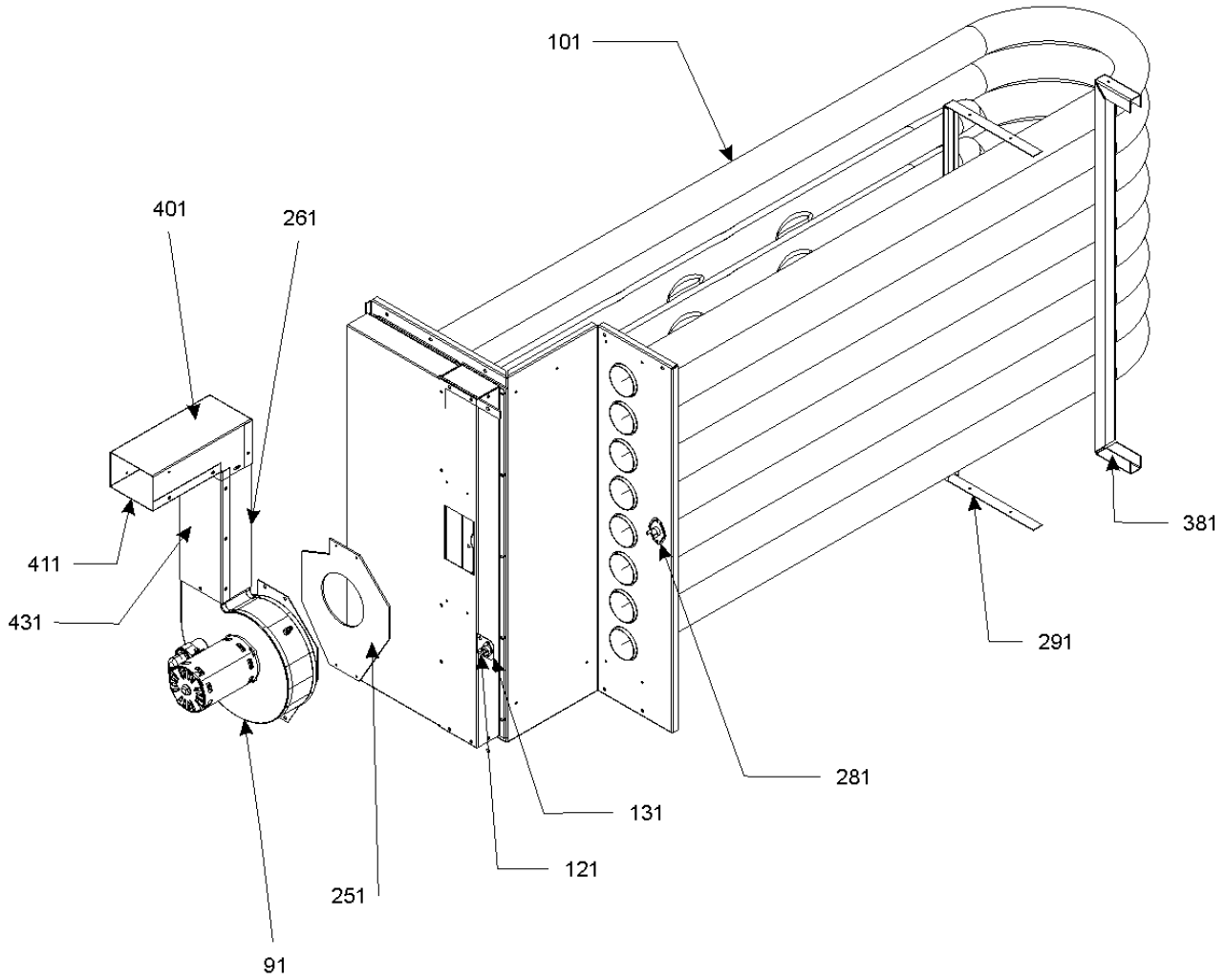


Image 2

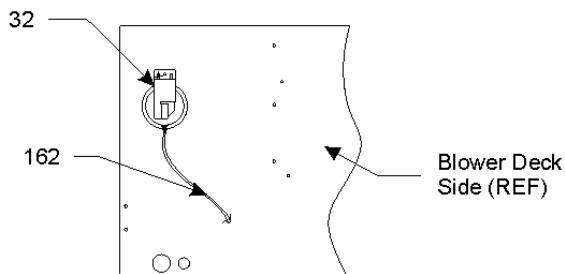
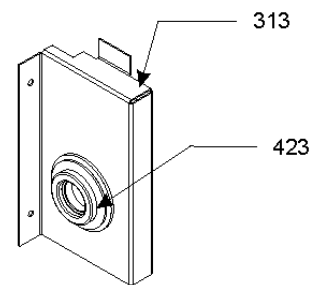


Image 3



Heat Exchanger Assembly

Ref. Part No: No:	Description:	Ref. Part No: No:	Description:
-------------------	--------------	-------------------	--------------

Image 1:

91	0131L00014	VENT MOTOR
101	0270L00186	PARTITION TUBE ASSY 8B
121	10123529	MANUAL RESET LIMIT-GREEN
131	0121L00053	FLAME ROLLOUT BRACKET
251	0154L00029	ID BLOWER GASKET
261	0121L00668	FLUE WRAPPER, BACK
281	0130M00063	PRIMARY LIMIT - GOLD 140°
291	0121L00808	SUPPORT-HEAT TUBES
381	0121L00930	SUPPORT-HEAT TUBES 2.25
401	0121L00670	FLUE WRAPPER EXIT
411	0121L00671	FLUE COVER EXIT
431	0121L00669	FLUE COVER, FRONT
NS	0154L00025	COVER GASKET
NS	0163L00040	FLUE SCREEN
NS	0154L00026	INNER COLLECTOR BOX GASKET
NS	0154L00027	OUTER COLLECTOR BOX GASKET

Image 2:

32	11112501	PRESSURE SWITCH
162	A3468601	PRESSURE SWITCH HOSE

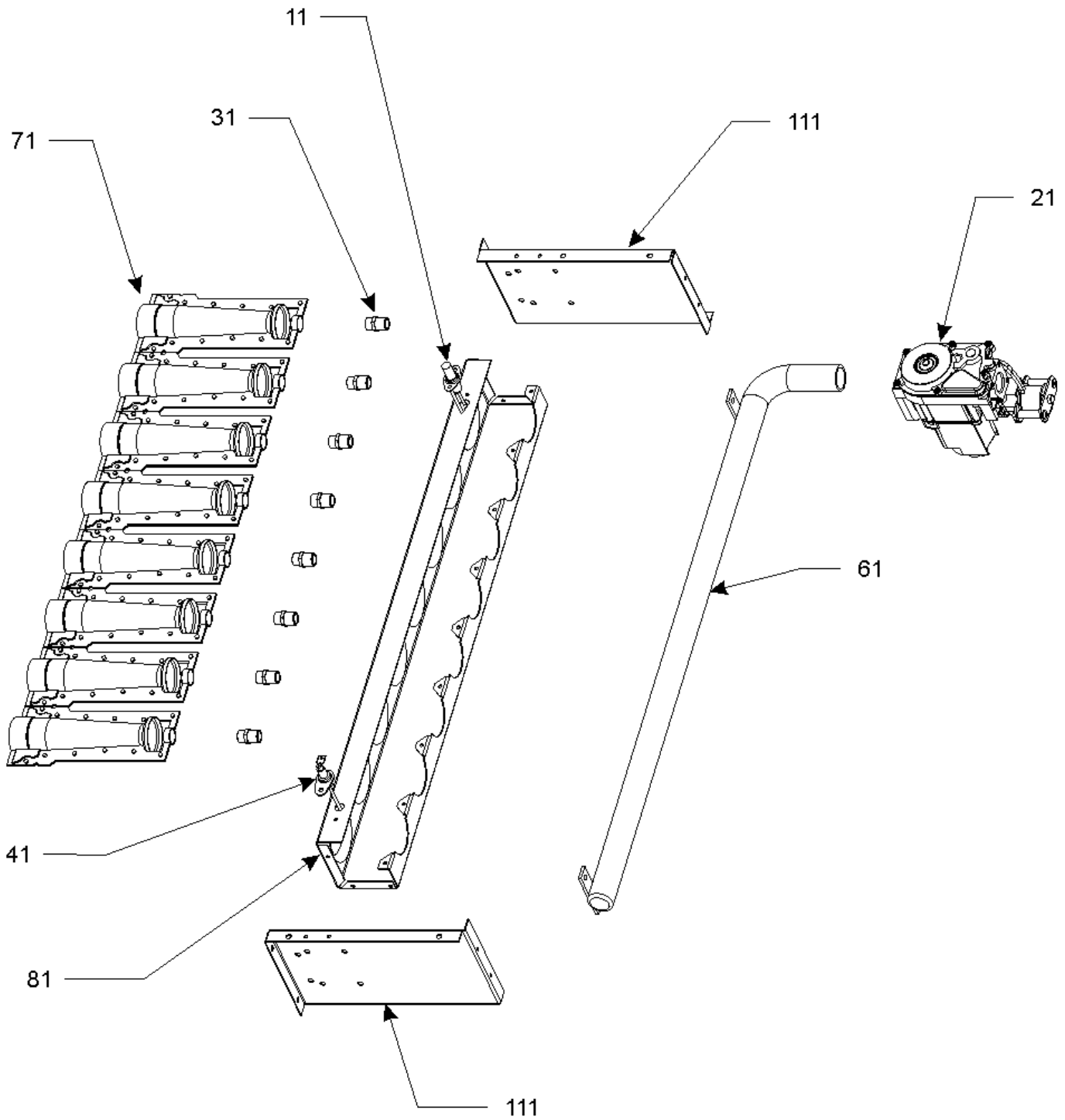
Image 3:

313	0121L00697	GAS VALVE PIPE BRACKET
423	B1910013	GAS LINE GROMMET

Expanded Model Nomenclature

- | |
|-----------------------|
| M1 - DCG3004003VXXXAA |
| M2 - DCG3004004VXXXAA |
| M3 - DCG3004004VXXYAA |
| M4 - DCG3004007VXXXAA |

Burner Assembly



Burner Assembly

Ref. Part No:	No:	Description:	Ref. Part No:	No:	Description:
---------------	-----	--------------	---------------	-----	--------------

Image 1:

11	20261709	IGNITOR			
21	0151M00015	VALVE, GAS (HW) VR83			
31	0163L00014	ORIFICE (QTY 8)			
41	0130F00010	FLAME SENSOR			
61	0163L00033	MANIFOLD-GAS 8 BURNER			
71	0163L00000	BECKETT BURNER (QTY 8)			
81	0121L00635	BRACKET-8 BURNERS			
111	0121G00268	BRACKET-BURNER TOP/BOT (QTY 2)			

Expanded Model Nomenclature

M1 - DCG3004003VXXXAA
M2 - DCG3004004VXXXAA
M3 - DCG3004004VXXYAA
M4 - DCG3004007VXXXAA

Control Box / Capacitor Assembly

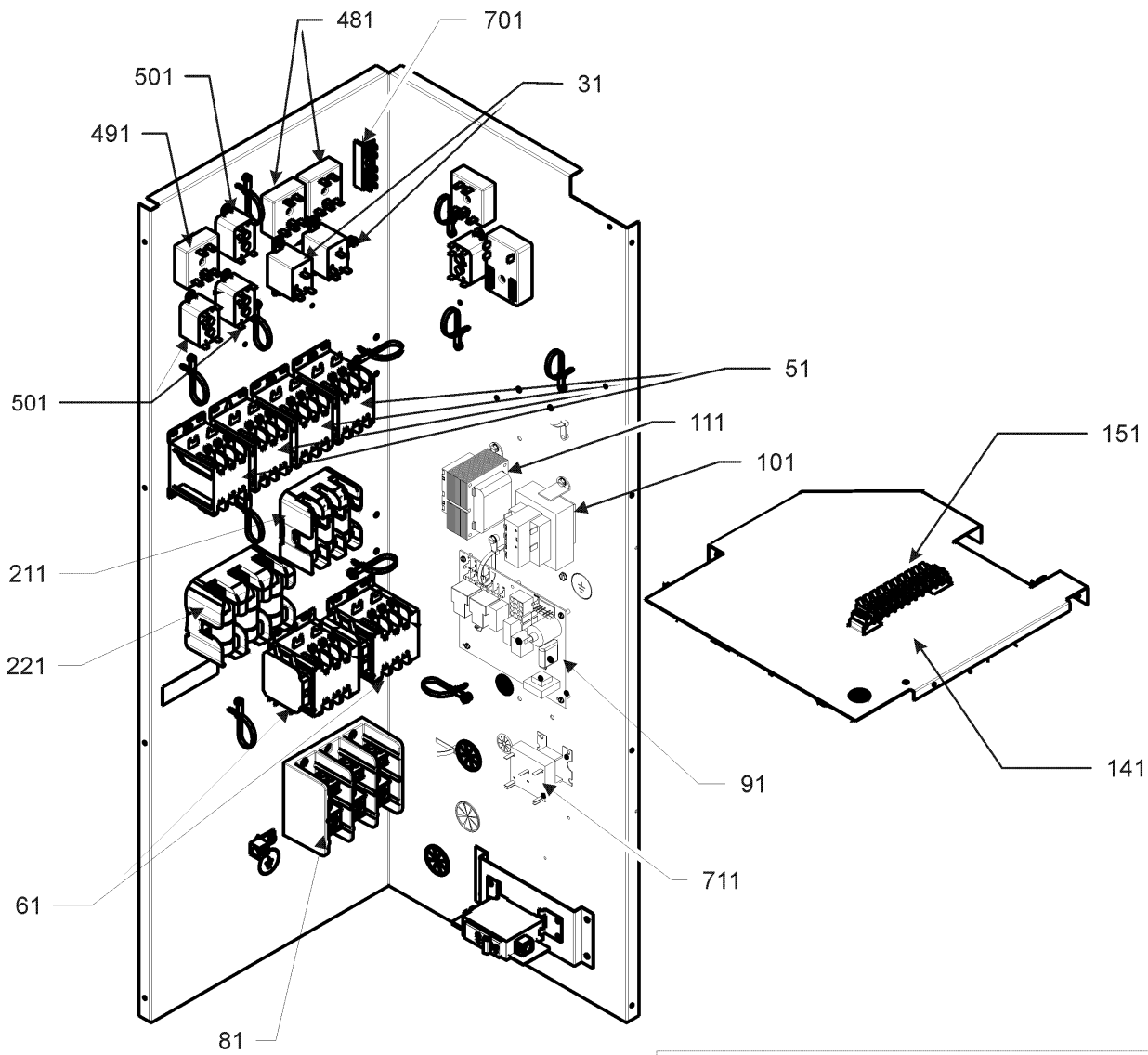
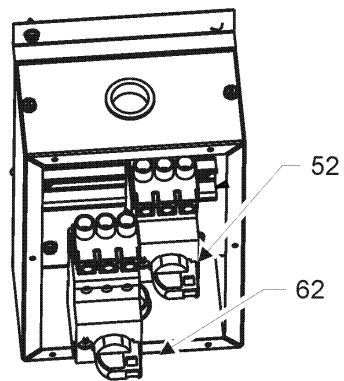


Image 2



Control Box / Capacitor Assembly

Ref. Part No: No:	Description:	Ref. Part No: No:	Description:
-------------------	--------------	-------------------	--------------

Image 1:

31	0130M00242	REALY, 24V (QTY 2)
51	CONT3P030024V	CONTACTOR 30 AMP, 3P, 24V (QTY 3)
61	0130M00249	AUXILLARY SWITCH (QTY 2)
81	0130M00042	POWER BLOCK (M1, M2, M3)
91	PCBAG123	IGNITION BOARD, DSI INTEGRATED
101	0130M00144	TRANSFORMER (M1)
101	0130M00145	TRANSFORMER 480V to 24V, 75VA (M2, M3)
101	0130M00147	TRANSFORMER 575V TO 230V, 150VA (M4)
111	0130M00146	TRANSFORMER 480V TO 230V, 150VA (M2, M3)
111	0130M00148	TRANSFORMER 575V to 24V, 75VA (M4)
141	0121L01281	HIGH VOLTAGE BARRIER
151	0130M00240	TERMINAL BOARD
211	0130M00246	FUSE BLOCK
221	0130M00247	FUSE BLOCK
481	0130M00263	RELAY, THERMISTOR (QTY 2)
491	0130M00264	RELAY, THERMISTOR
501	10135604	RELAY (QTY 3)
701	802007090	TERMINAL BOARD
711	0130M00025	24V RELAY
NS	0130L00101	FUSE, J CLASS (QTY 3)
NS	0130L00102	FUSE, J CLASS (QTY 3)
NS	0259L00252	HARN, BC_BR_CCR, 2 SPD EM
NS	0259L00278	HARN, CH/LPS/HPS, C1
NS	0259L00279	HARN, CH/LPS/HPS, C2
NS	0259L00203	HARN, IGN SUB-ASSY 2, ECON PLF
NS	0259L00204	HARN, IGN, SUB-ASSY 1, IGN PLM
NS	0259L00229	HARN, PWR & CNTL, GAS
NS	0259L00221	HARN, PWR, PB TO CC1 (M2, M3, M4)
NS	0259L00220	HARN, PWR, PB TO CC2 (M2, M3, M4)
NS	0259L00199	HARN, PWR, PB TO FB
NS	0259L00217	HARNESS
NS	0259L00218	HARNESS
NS	0259L00222	HARNESS
NS	0259L00247	HARNESS, CC_CMC
NS	0259L00253	HARNESS, FREEZE STAT
NS	0259L00288	HARNESS, POWER, EM INTERCONN

Image 2:

52	0130L00083	ROTARY MANUAL MOTOR PROTECTOR (M2, M3, M4)
52	0130L00085	ROTARY MANUAL MOTOR PROTECTOR (M1)
62	0130L00084	ROTARY MANUAL MOTOR PROTECTOR (M2, M3, M4)
62	0130L00086	ROTARY MANUAL MOTOR PROTECTOR (M1)
NS	0121L01012	CIRCUIT BREAKER BOX
NS	0121L01011	CIRCUIT BREAKER BOX BRACKET
NS	0121L01013	CIRCUIT BREAKER BOX COVER
NS	0259L00190	CIRCUIT BREAKER HARNESS
NS	0259L00181	HARNESS-BELT DRIVE 2 SP MOTOR

Expanded Model Nomenclature

M1 - DCG3004003VXXXAA
M2 - DCG3004004VXXXAA
M3 - DCG3004004VXXYAA
M4 - DCG3004007VXXXAA

Accessory Parts List

ACCESSORY LIST

Ref. Part No: No:	Description:	Ref. Part No: No:	Description:
----------------------	--------------	----------------------	--------------

Image 1:

NS 0121L01053	BRACKET-SMOKE DETECTOR (M3)
NS LAKT05	LOW AMBIENT KIT (M3)
NS D4120	SMOKE DETECTOR, PHOTO 4WIRE (M3)
NS D4S	SMOKE DETECTOR, SENSOR ONLY (M3)

Expanded Model Nomenclature

M1 - DCG3004003VXXXAA
M2 - DCG3004004VXXXAA
M3 - DCG3004004VXXYAA
M4 - DCG3004007VXXXAA