

Commercial 20 Ton 2-Speed Package Gas Unit

DCG2404003VJKUBA
DCG2404003VRXXBA
DCG2404003VVXXBA
DCG2404003VWDVBA
DCG2404003VWXBBA
DCG2404003VXXXAA
DCG2404003VXXXBA
DCG2404004VFDDBA
DCG2404004VFMCSBA
DCG2404004VFXXBA
DCG2404004VHBXBA
DCG2404004VHXABA
DCG2404004VHXCBA
DCG2404004VHXNBA
DCG2404004VHXXBA
DCG2404004VVXDBA
DCG2404004VXXXAA
DCG2404004VXXXAB
DCG2404004VXXXBA
DCG2404007VHXAAB
DCG2404007VHXABA
DCG2404007VVXCBA
DCG2404007VVXXBA
DCG2404007VXXXAA
DCG2404007VXXXAB
DCG2404007VXXXBA



This manual is to be used by qualified technicians only.

This manual replaces RP-D1043M.

Important Information



Functional Parts List	3
Illustration and Parts	4 - 19

Views shown are for parts illustrations only, not servicing procedures

Text Codes:

AR - As Required

NA - Not Available

NS - Not Shown

00000000 - See Note

QTY - Quantity Example (QTY 3) (If Quantity not shown, Quantity = 1)

M - Model Example (M1) (If M Code not shown, then part is used on all Models)

Expanded Model Nomenclature:

Example M1 - Model#1 M2 - Model#2 M3 - Model#3

Daikin Company, L.P. is not responsible for personal injury or property damage resulting from improper service. Review all service information before beginning repairs.

Warranty service must be performed by an authorized technician, using authorized factory parts. If service is required after the warranty expires, Daikin Company, L.P. also recommends contacting an authorized technician and using authorized factory parts.

Daikin Company, L.P. reserves the right to discontinue, or change at any time, specifications or designs without notice or without incurring obligations.

For assistance within the U.S.A. contact:

Equipment Support
Daikin North America, LLC
19001 Kermier Road
Waller, Texas 77484
855-770-5678-Telephone
713-863-2382-Facsimile

For assistance outside the U.S.A. contact:

International Division
Daikin North America, LLC
19001 Kermier Road
Waller, Texas 77484
713-861-2500-Telephone
713-863-2382-Facsimile

Functional Parts

Part

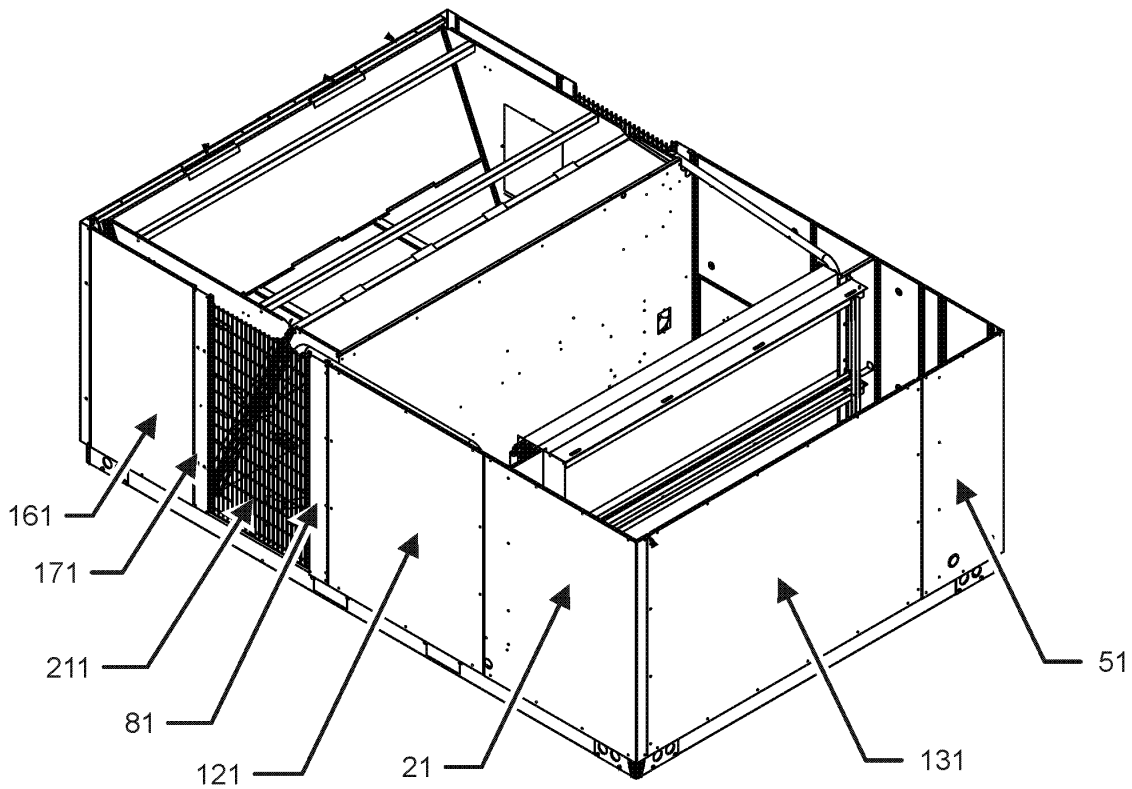
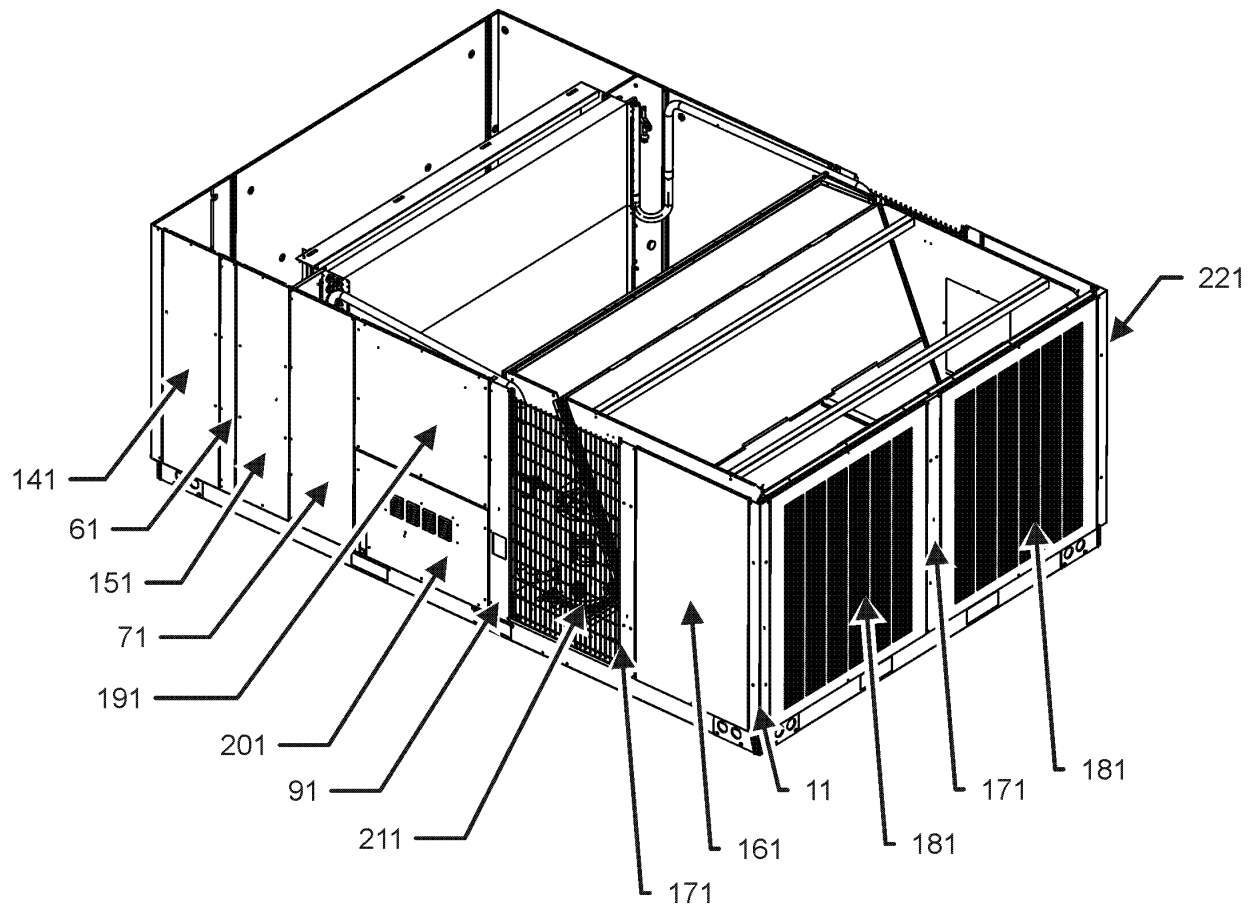
No: Description:

0271L00027	150-15R BD 1.44 TWIN BLOWER	0164L00005	NOTCHED FAN BELT BX46 (M17)
0163L00000	BECKETT BURNER (QTY 8)	11112501	PRESSURE SWITCH
CAP100000370LA	CAPACITOR 10/370V (M1, M2, M3, M4, M5, M6, M7, M8, M9, M10, M11, M12, M13, M14, M15, M16, M18, M19)	20162903	PRIMARY LIMIT - BLUE
CAP050000370LA	CAPACITOR 5/370V (M17, M24)	10135604	RELAY (QTY 2)
CAP050000440LA	CAPACITOR 5/440V (M20, M21, M22, M23, M25, M26)	0130M00038	TERMINAL BOARD
ZP120KCETFD155	COMP, 123,000, 460/60/3 (M17, M18)	0130M00596	TRANS, 150VA, 480V TO 230V (M8, M9, M10, M11, M12, M13, M14, M15, M16, M17, M18, M19)
ZP122KCETFD155	COMP, 124000, 460/60/3 (M8, M9, M10, M11, M12, M13, M14, M15, M16, M19)	0130M00597	TRANS, 150VA, 575V TO 230V (M20, M21, M22, M23, M24, M25, M26)
ZP122KCETFE155	COMP, 124000, 575/60/3 (M21, M22, M23, M26)	0130L00206	TRANSFORMER (M8, M9, M10, M11, M12, M13, M14, M15, M16, M18, M19)
ZP120KCETFE155	COMP, 121,000, 575/60/3 (M20, M24, M25)	0130L00207	TRANSFORMER (M20, M21, M22, M23, M25, M26)
ZP120KCETF5250	COMP, 123,000, 200/230/60/3 (M6)	0130L00205	TRANSFORMER (M1, M2, M3, M4, M5, M6, M7)
ZP122KCETF5250	COMP, 124000, 200/230/60/3 (M1, M2, M3, M4, M5, M7)	0130M00595	TRANSFORMER, 75VA, 480V TO 24V (M17)
CONT3P030024V	CONTACTOR 30 AMP, 3P, 24V (M8, M9, M10, M11, M12, M13, M14, M15, M16, M17, M18, M19, M20, M21, M22, M23, M24, M25, M26)	0130M00598	TRANSFORMER, 75VA, 575V TO 24V (M24)
CONT3P040024V	CONTACTOR 40 AMP, 3P, 24V (M1, M2, M3, M4, M5, M6, M7)	0151M00015	VALVE, GAS (HW) VR83
CONT3P050024V	CONTACTOR 50 AMP, 3P, 24V (M1, M2, M3, M4, M5, M6, M7)		
0130L00019	CRANK CASE HEATER, 70W, 575V (M21, M22, M23, M26)		
0130L00020	CRANK CASE HEATER, 90W, 240V (M6)		
0130L00021	CRANK CASE HEATER, 90W, 480V (M17, M18)		
0130L00022	CRANK CASE HEATER, 90W, 575V (M20, M24, M25)		
0130L00017	CRANK CASE HEATER-70W 240V (M1, M2, M3, M4, M5, M7)		
0130L00018	CRANK CASE HEATER-70W, 480V (M8, M9, M10, M11, M12, M13, M14, M15, M16, M19)		
0130M00074	CUT-OUT SWITCH, HIGH PRESSURE (QTY 2)		
0130M00087	CUT-OUT SWITCH, LOW PRESSURE (QTY 2)		
0164L00013	FAN BELT-NOTCHED (M1, M2, M3, M4, M5, M6, M7, M8, M9, M10, M11, M12, M13, M14, M15, M16, M18, M19, M20, M21, M22, M23, M24, M25, M26)		
10625733	FAN BLADE 22" ALUM CCW (QTY 3)		
0130F00010	FLAME SENSOR		
PCBAG123	IGNITION BOARD, DSI INTEGRATED		
20261709	IGNITOR		
0130M00064	LIMIT (M2, M3, M4, M5, M6, M7, M8, M9, M10, M11, M12, M13, M14, M15, M16, M17, M18, M19, M20, M21, M22, M23, M24, M25, M26)		
10123529	MANUAL RESET LIMIT		
0131M00179	MOTOR, 1/3 HP, 6 PL, 575V (M24)		
B13400249	MOTOR, 1\3, 460V (M17)		
0131L00025	MOTOR, 5 HP BELT DRIVE 230V (M1, M2, M3, M4, M5, M6, M7)		
0131L00031	MOTOR, 5 HP BELT DRIVE 460 V (M8, M9, M10, M11, M12, M13, M14, M15, M16, M17, M18, M19)		
0131L00028	MOTOR, 5 HP BELT DRIVE 575 V (M20, M21, M22, M23, M24, M25, M26)		
0131M00907	MOTOR, HP, 1/3, OD (M8, M9, M10, M11, M12, M14, M15, M16, M18, M19)		
0131M00908	MOTOR, HP, 1/3, OD, LAK (M20, M21, M22, M23, M25, M26)		
0131M00906	MOTOR, HP, 1/3, SP, 1, PL, 6 (M2, M3, M5, M6, M7)		

Expanded Model Nomenclature

- M1 - DCG2404003VJKUBA
- M2 - DCG2404003VRXXBA
- M3 - DCG2404003VVXXBA
- M4 - DCG2404003VWDVBA
- M5 - DCG2404003VWXBBA
- M6 - DCG2404003VXXXAA
- M7 - DCG2404003VXXXBA
- M8 - DCG2404004VFDDBA
- M9 - DCG2404004VFMCBBA
- M10 - DCG2404004VFXXBA
- M11 - DCG2404004VHXBBA
- M12 - DCG2404004VHXABA
- M13 - DCG2404004VHXCBA
- M14 - DCG2404004VHXNBA
- M15 - DCG2404004VHXXBA
- M16 - DCG2404004VVXDBA
- M17 - DCG2404004VXXXAA
- M18 - DCG2404004VXXXAB
- M19 - DCG2404004VXXXBA
- M20 - DCG2404007VHXAAB
- M21 - DCG2404007VHXABA
- M22 - DCG2404007VVXCBA
- M23 - DCG2404007VVXXBA
- M24 - DCG2404007VXXXAA
- M25 - DCG2404007VXXXAB
- M26 - DCG2404007VXXXBA

Cabinet Assembly

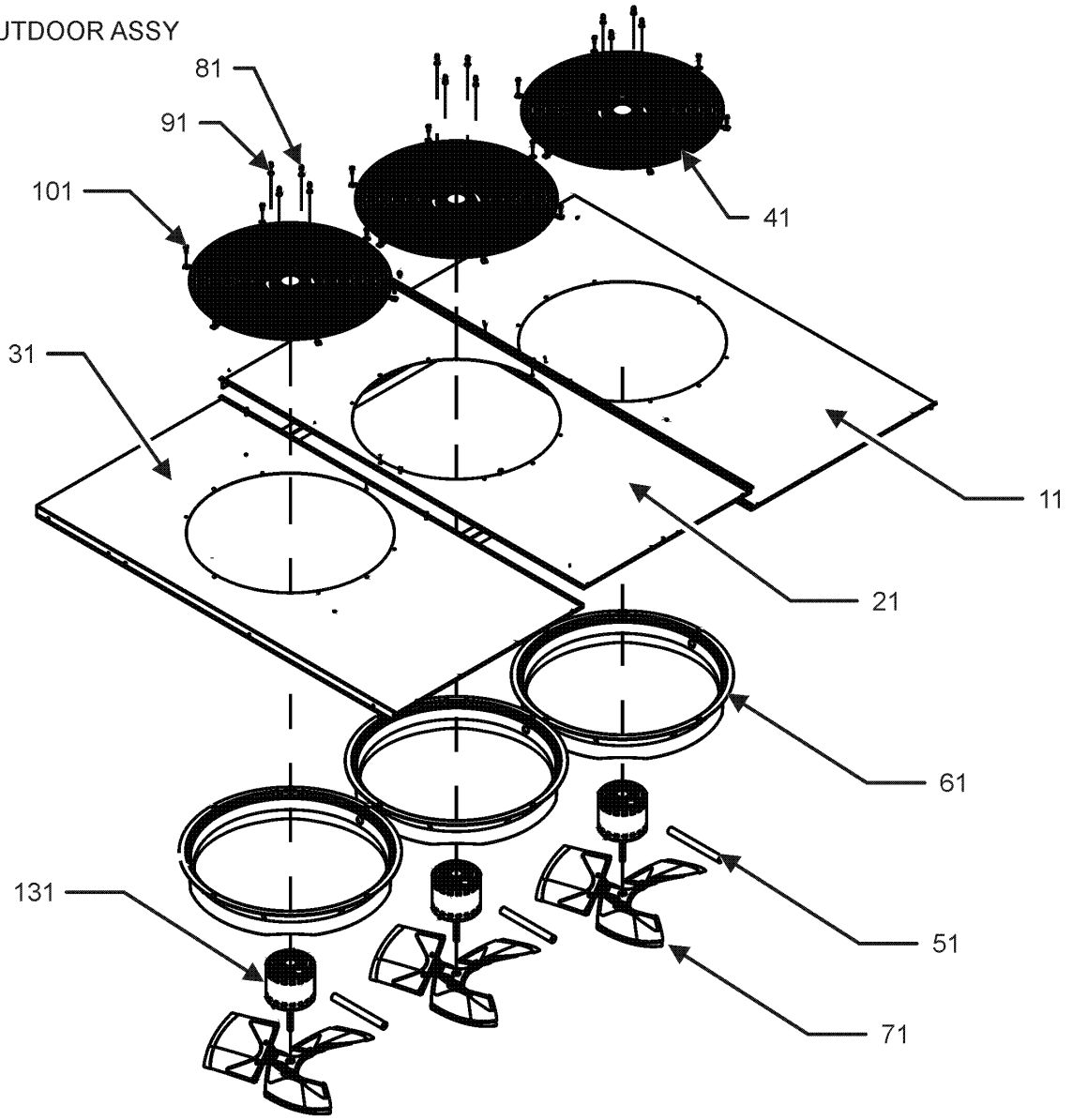


Cabinet Assembly

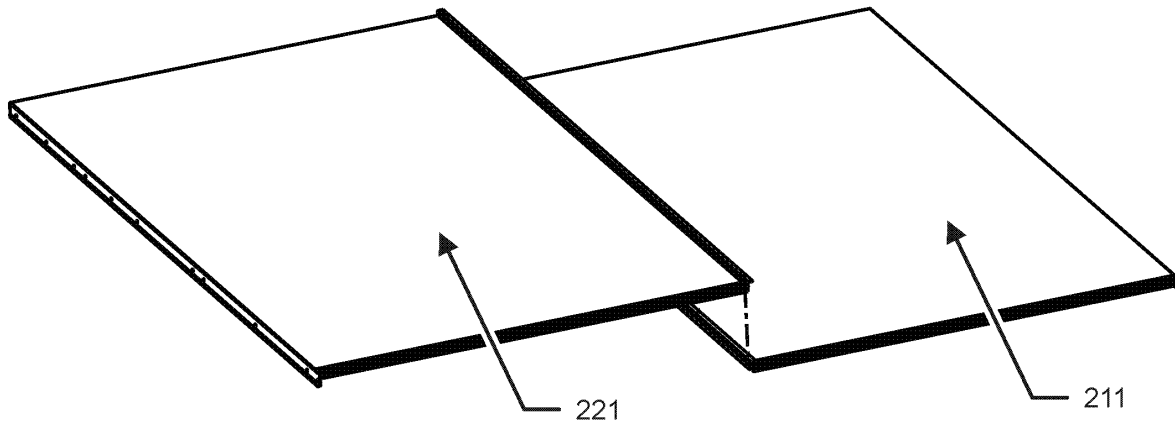
Ref. Part No:	No:	Description:	Ref. Part No:	No:	Description:
Image 1:			Expanded Model Nomenclature		
11	0121L01143NG	CORNER POST (QTY 2)	M1	-	DCG2404003VJKUBA
21	0121L00681NG	EVAP PANEL	M2	-	DCG2404003VRXXBA
51	0121L00679NG	CONTROL CORNER PANEL (M3, M6, M7, M8, M9, M10, M16, M17, M18, M19, M22, M23, M24, M25, M26)	M3	-	DCG2404003VVXXBA
51	0121L00800NG	DUCT PANEL (M2, M5, M11, M12, M13, M14, M15, M20, M21)	M4	-	DCG2404003VWDVBA
51	0121L01900NG	DUCT PANEL (M1, M4)	M5	-	DCG2404003VWXBBA
61	0121L02048NG	PNT, POST-CONTROL /FILTER (M2, M3, M5, M6, M7, M10, M11, M12, M13, M14, M15, M16, M17, M18, M19, M20, M21, M22, M23, M24, M25, M26)	M6	-	DCG2404003VXXXAA
61	0121L01937NG	PNT, POST-CONTROL.FILTER (M1, M4, M8, M9)	M7	-	DCG2404003VXXXBA
71	0121L00710NG	BLOWER DOOR POST (M2, M3, M5, M6, M7, M10, M11, M12, M13, M14, M15, M16, M17, M18, M19, M20, M21, M22, M23, M24, M25, M26)	M8	-	DCG2404004VFDDBA
71	0121L01479NG	BLOWER DOOR POST (M1, M4, M8, M9)	M9	-	DCG2404004VFMCSBA
81	0121L00903NG	POST-PARTITION, EVAP SIDE	M10	-	DCG2404004VFXBBA
91	0121L01524NG	POST PARTITION, GAS FLUE (M1, M4, M8, M9)	M11	-	DCG2404004VHBXBA
91	0121L00904NG	POST-PARTITION, GAS FLUE	M12	-	DCG2404004VHXABA
121	0121L00685NG	BLOWER DOOR, EVAP SIDE	M13	-	DCG2404004VHXCBA
131	0121L00688NG	ACCESSORY PANEL	M14	-	DCG2404004VHXNBA
141	0121L01603NG	CONTROL DOOR (M1, M4, M8, M9)	M15	-	DCG2404004VHXXBA
141	0121L00687NG	PNT, DOOR-CONTROL (M2, M3, M5, M6, M7, M10, M11, M12, M13, M14, M15, M16, M17, M18, M19, M20, M21, M22, M23, M24, M25, M26)	M16	-	DCG2404004VVXDBA
151	0121L00686NG	FILTER DOOR (M2, M3, M5, M6, M7, M10, M11, M12, M13, M14, M15, M16, M17, M18, M19, M20, M21, M22, M23, M24, M25, M26)	M17	-	DCG2404004VXXXAA
151	0121L01601NG	FILTER DOOR (M1, M4, M8, M9)	M18	-	DCG2404004VXXXAB
161	0121L00907NG	PANEL-CONDENSER SIDE (QTY 2)	M19	-	DCG2404004VXXXBA
171	0121L01144NG	POST, COND PANEL (QTY 3)	M20	-	DCG2404007VHXABA
181	0121L01174NG	PANEL-LOUVER, END (QTY 2)	M21	-	DCG2404007VHXABA
191	0121L00713NG	BLOWER DOOR GAS	M22	-	DCG2404007VVXCBA
201	0121L00712NG	BURNER DOOR	M23	-	DCG2404007VVXXBA
211	0152L00000	GRILLE-CONDENSER (QTY 2)	M24	-	DCG2404007VXXXAA
221	0121L00476NG	PNT, TURNBUCKLE, DOOR (QTY 16)	M25	-	DCG2404007VXXXAB
NS	0121L00562NG	PNT, HOOD-COMBUSTION AIR	M26	-	DCG2404007VXXXBA
NS	M0204317	SCREW-MACH (QTY 16)			

Top Panel Assembly

TOP PANEL OUTDOOR ASSY



TOP PANEL INDOOR ASSY

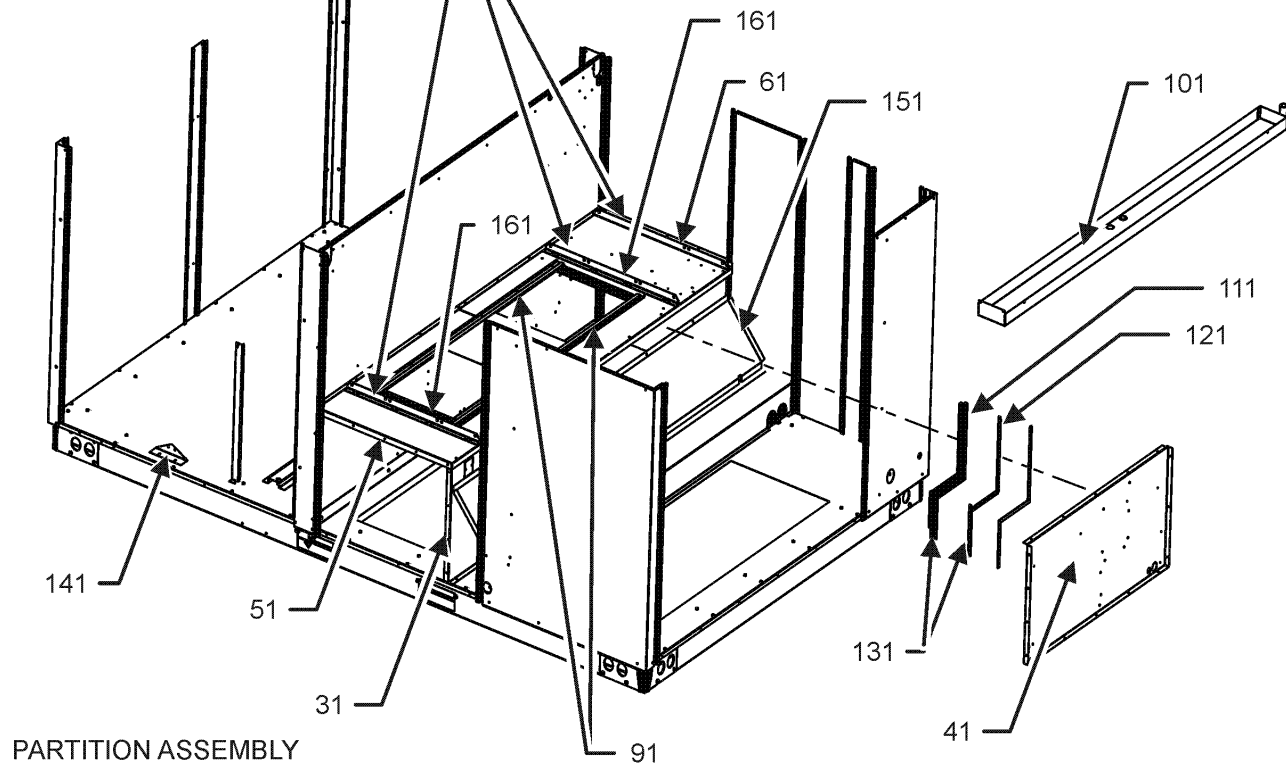
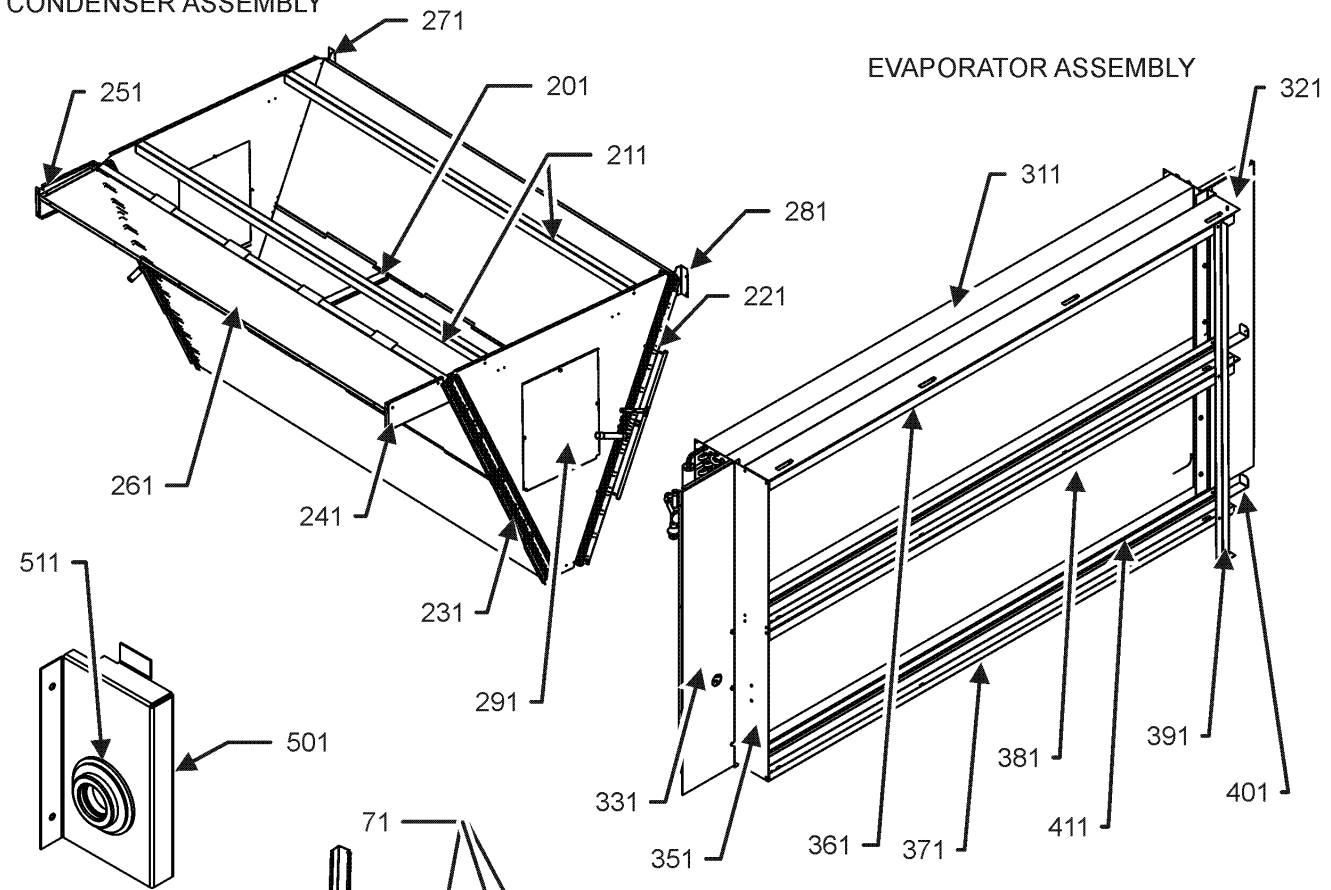


Top Panel Assembly

Ref. Part No:	Description:	Ref. Part No:	Description:
Image 1:		Expanded Model Nomenclature	
11	0121L01038NG PNT, TOP-FAN, CONTROL SIDE	M1	- DCG2404003VJKUBA
21	0121L01039NG PNT, TOP-FAN, CENTER	M2	- DCG2404003VRXXBA
31	0121L01040NG PNT, TOP-FAN, EVAP SIDE	M3	- DCG2404003VVXXBA
41	0152G00003 FAN GRILLE (QTY 3)	M4	- DCG2404003VWDVBA
51	0161R00003P CONDUIT (M1, M2, M3, M4, M5, M6, M7, M8, M9, M10, M11, M12, M13, M14, M15, M16, M18, M19, M20, M21, M22, M23, M25, M26)	M5	- DCG2404003VWXBBA
51	17788000083F Conduit Pvc (M17, M24)	M6	- DCG2404003VXXXAA
61	0161L00000 VENTURI RING 22" (QTY 3)	M7	- DCG2404003VXXXBA
71	10625733 FAN BLADE 22" ALUM CCW (QTY 3)	M8	- DCG2404004VFDDBA
81	0163M00006P ACORN NUT 5/16 HEX BLACK (QTY 12)	M9	- DCG2404004VFMCSBA
91	0163M00005P WASHER BLACK (.50 OD .218ID) (QTY 12)	M10	- DCG2404004VFXBBA
101	0163M00004 SCREW #10X3/4", BLACK (QTY 24)	M11	- DCG2404004VHBXBA
131	0131M00179 MOTOR, 1/3 HP, 6 PL, 575V (M24)	M12	- DCG2404004VHXABA
131	B13400249 MOTOR, 1\3, 460V (M17)	M13	- DCG2404004VHXCBA
131	0131L00064 MOTOR, COND, 1/3 HP, 208/230V (M1, M4)	M14	- DCG2404004VHXNBA
131	0131L00065 MOTOR, COND, 1/3 HP, 460V (M13)	M15	- DCG2404004VHXXBA
131	0131M00907 MOTOR, HP, 1/3, OD (M8, M9, M10, M11, M12, M14, M15, M16, M18, M19)	M16	- DCG2404004VVXDBA
131	0131M00908 MOTOR, HP, 1/3, OD, LAK (M20, M21, M22, M23, M25, M26)	M17	- DCG2404004VXXXAA
131	0131M00906 MOTOR, HP, 1/3, SP, 1, PL, 6 (M2, M3, M5, M6, M7)	M18	- DCG2404004VXXXAB
211	0121L00693NG TOP, CONTROL SIDE	M19	- DCG2404004VXXXBA
221	0121L00694NG TOP, EVAP SIDE	M20	- DCG2404007VHXABA
NS	M0272803 WASHER-LOCK (QTY 3)	M21	- DCG2404007VHXABA
		M22	- DCG2404007VVXCBA
		M23	- DCG2404007VVXXBA
		M24	- DCG2404007VXXXAA
		M25	- DCG2404007VXXXAB
		M26	- DCG2404007VXXXBA

Condenser, Evaporator and Partition Assy

CONDENSER ASSEMBLY

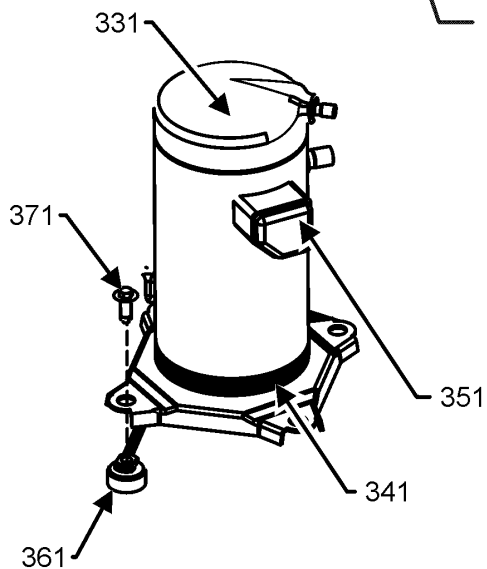
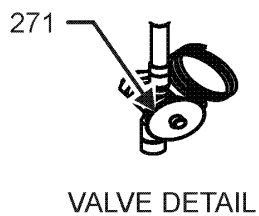
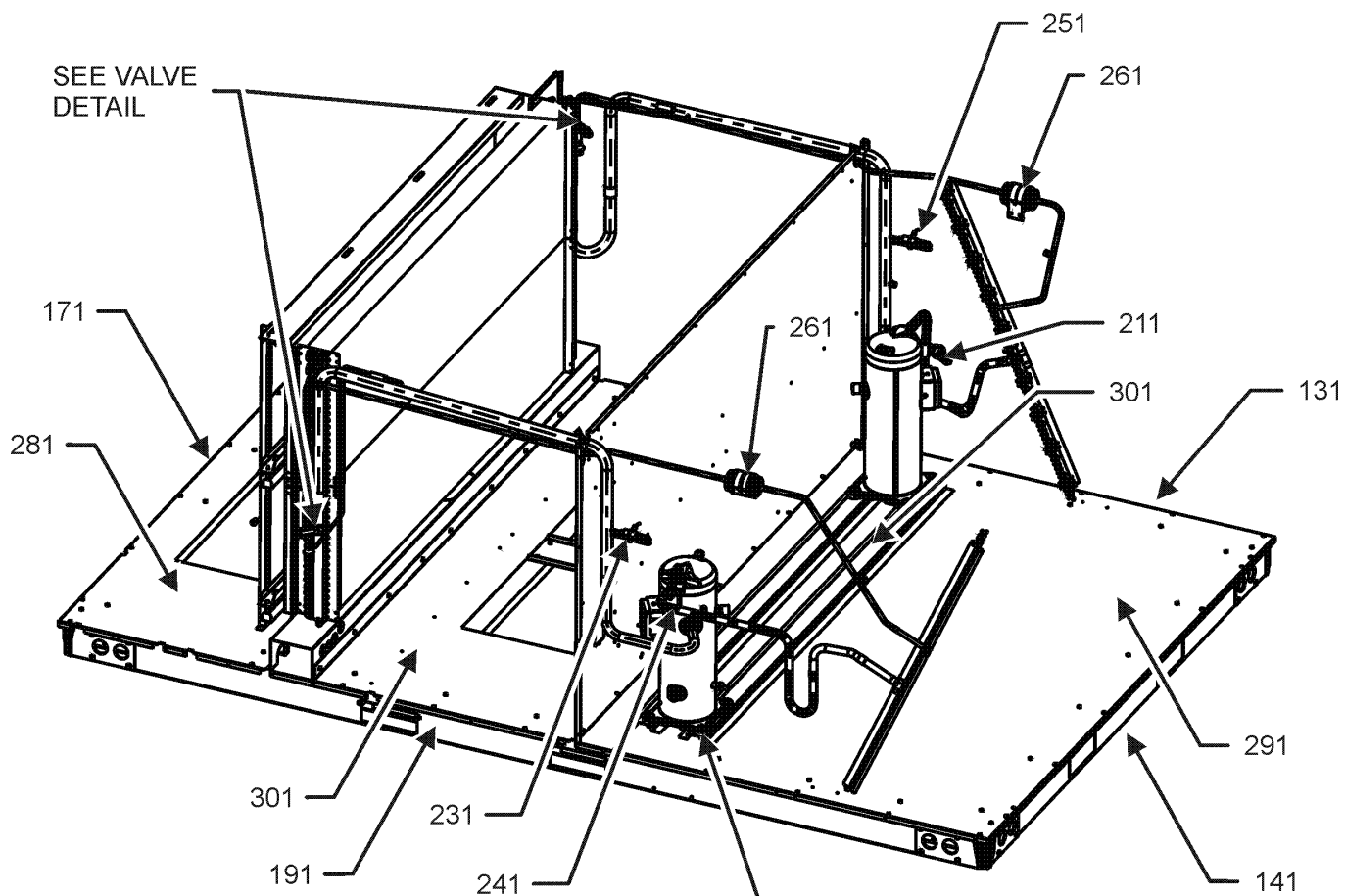


PARTITION ASSEMBLY

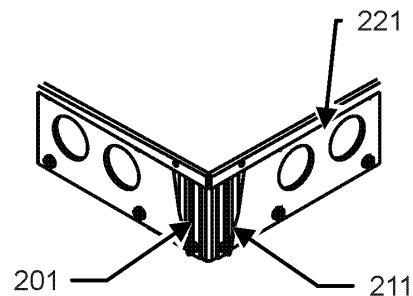
Condenser, Evaporator and Partition Assy

Ref. Part No:	Ref. Part No:	Description:	Description:
Image 1:		Expanded Model Nomenclature	
31	0121L01163	DECK, SIDE DUCT END	M1 - DCG2404003VJKUBA
41	0121L01162	DECK, SIDE HEAT END	M2 - DCG2404003VRXXBA
51	0121L01160	BLOWER DECK, EVAP SIDE	M3 - DCG2404003VVXXBA
61	0121L01161	BLOWER DECK, MOTOR SIDE	M4 - DCG2404003VWDVBA
71	0121L01431	ANGLE, MOTOR MOUNT (QTY 3)	M5 - DCG2404003VWXBBA
91	0121L00478	BLOWER DECK RAIL (QTY 2)	M6 - DCG2404003VXXXAA
101	0270L00612DG	DRAIN PAN	M7 - DCG2404003VXXBA
111	0121L00551	HEAT EXCHANGER ANGLE, RH SIDE	M8 - DCG2404004VFDDBA
121	0121L00552	HEAT EXCHANGER ANGLE, LH SIDE	M9 - DCG2404004VFMCSA
131	0121L00553	LOWER HEAT EXCHANGER ANGLE (QTY 2)	M10 - DCG2404004VFXBBA
141	0121L00913	BRACKET-COND/BASEPAN (QTY 2)	M11 - DCG2404004VHBXBA
151	0121L01158	SHIELD, BLOWOFF	M12 - DCG2404004VHXABA
161	0121L00481	BLOWER RAIL (QTY 2)	M13 - DCG2404004VHXCBA
201	0121L00901	BRACE-COND COILS (QTY 2)	M14 - DCG2404004VHXNBA
211	0121L01037	ANGLE, TOP BRACE (QTY 2)	M15 - DCG2404004VHXXBA
221	0201L00151	CONDENSER COIL ASSY C1	M16 - DCG2404004VVXDBA
231	0201L00152	CONDENSER COIL ASSY C2	M17 - DCG2404004VXXXAA
241	0121L01154	BRACKET, CONDENSER END C1	M18 - DCG2404004VXXXAB
251	0121L01156	BRACKET, CONDENSER END C2	M19 - DCG2404004VXXXBA
261	0121L00572	CONDENSER BLOCKOFF, INSIDE TOP	M20 - DCG2404007VHXAAAB
271	0121L01155	BRACKET, COND/POST C1	M21 - DCG2404007VHXABA
281	0121L01153	BRACKET, COND/POST C2	M22 - DCG2404007VVXCBA
291	0121L00910	COVER-COIL CLEANING (QTY 2)	M23 - DCG2404007VXXBA
311	0202L00047	EVAPORATOR COIL ASSY (QTY 2)	M24 - DCG2404007VXXXAA
321	0121L00698	EVAPORATOR BLOCKOFF PANEL	M25 - DCG2404007VXXXAB
331	0121L00848	PANEL-EVAPORATOR, SMOKE DET	M26 - DCG2404007VXXXBA
351	0121L00933	ANGLE-FILTER, LEFT VERTICAL	
361	0121L00629	TOP ANGLE FILTER (M17)	
361	0121L01180	TOP ANGLE FILTER (M1, M2, M3, M4, M5, M6, M7, M8, M9, M10, M11, M12, M13, M14, M15, M16, M18, M19, M20, M21, M22, M23, M24, M25, M26)	
371	0121L00701	BOTTOM FILTER RACK (M17)	
371	0121L01179	BOTTOM FILTER RACK (M1, M2, M3, M4, M5, M6, M7, M8, M9, M10, M11, M12, M13, M14, M15, M16, M18, M19, M20, M21, M22, M23, M24, M25, M26)	
381	0270L00230	CENTER FILTER RACK (M17)	
381	0270L00658	CENTER FILTER RACK (M1, M2, M3, M4, M5, M6, M7, M8, M9, M10, M11, M12, M13, M14, M15, M16, M18, M19, M20, M21, M22, M23, M24, M25, M26)	
391	0121L00632	FILTER SUPPORT ANGLE	
401	0121L00640	FILTER PULL (QTY 2)	
411	0121L00703	BOTTOM BLOCKOFF, FILTER RACK	
501	0121L00697	GAS VALVE PIPE BRACKET (M2, M3, M4, M5, M6, M7, M8, M9, M10, M11, M12, M13, M14, M15, M16, M17, M18, M19, M20, M21, M22, M23, M24, M25, M26)	
511	B1910013	GAS LINE GROMMET (M2, M3, M4, M5, M6, M7, M8, M9, M10, M11, M12, M13, M14, M15, M16, M17, M18, M19, M20, M21, M22, M23, M24, M25, M26)	
NS	0270L00233	BOTTOM SLIDER (M17)	
NS	0270L00232	CENTER SLIDER (M17)	
NS	0160L00137	FILTER, 20 X 25 X 2, STANDARD (QTY 6)	
NS	0121L00702	RIGHT SIDE BLOCKOFF, FILTER RACK (M17)	
NS	0121L00321	SMOKE DETECTOR COVER	
NS	0121L00634	TOP ANGLE BRACKET (M17)	
NS	0270L00271	WELDMENT-TOP SLIDER (M17)	

Compressor and Tubing Assembly



COMPRESSOR DETAIL

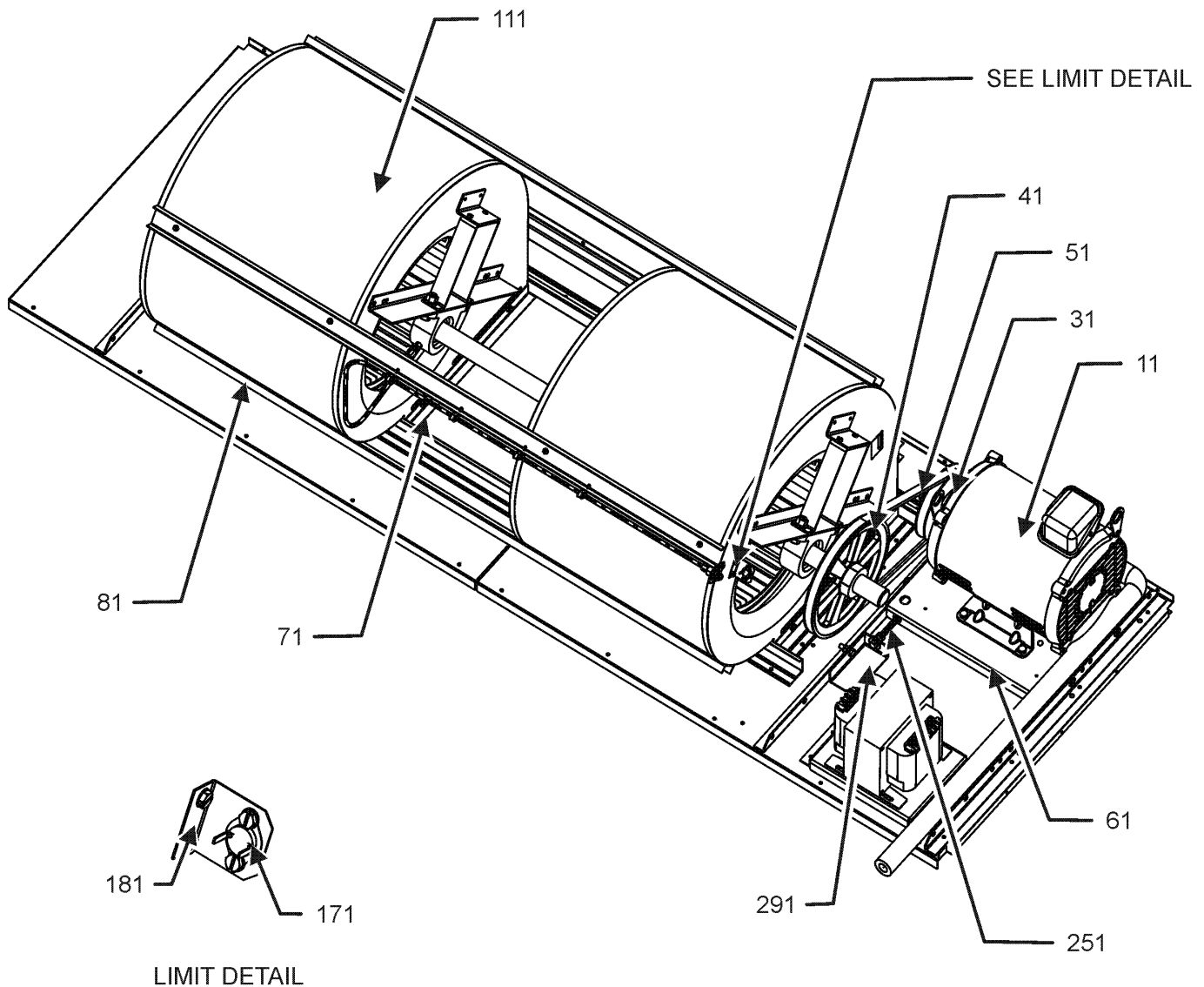


CORNER BRACE DETAIL

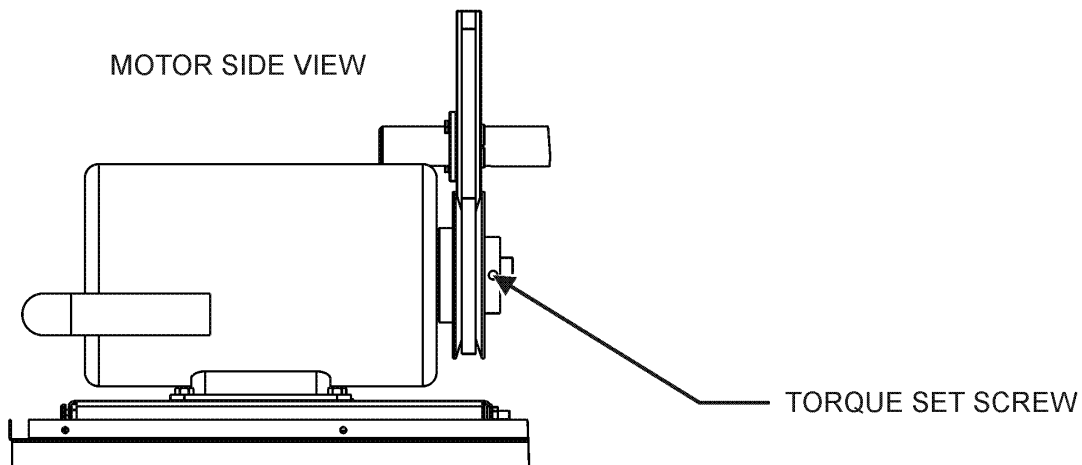
Compressor and Tubing Assembly

Ref. Part No:	Description:	Ref. Part No:	Description:
Image 1:		Expanded Model Nomenclature	
131	0121L00720 SIDE RAIL	M1	- DCG2404003VJKUBA
141	0121L00721 BASE RAIL, CONDENSER END (QTY 2)	M2	- DCG2404003VRXXBA
171	0121L00722 BASE RAIL, ACCESSORY END	M3	- DCG2404003VVXXBA
181	0121L00625 COMPRESSOR RAIL BRACKET (QTY 4)	M4	- DCG2404003VWDVBA
191	0121L00719 CONTROL SIDE BASE RAIL	M5	- DCG2404003VWXBBA
211	0130M00074 CUT-OUT SWITCH, HIGH PRESSURE	M6	- DCG2404003VXXXAA
231	0130M00087 CUT-OUT SWITCH, LOW PRESSURE	M7	- DCG2404003VXXXBA
241	0130M00074 CUT-OUT SWITCH, HIGH PRESSURE	M8	- DCG2404004VFDDBA
251	0130M00087 CUT-OUT SWITCH, LOW PRESSURE	M9	- DCG2404004VFMCSA
261	0151M00012 BI-FLOW FILTER DRIER	M10	- DCG2404004VFXBBA
271	0151L00011 VALVE, TXV R-410A (QTY 4)	M11	- DCG2404004VHBXBA
281	0270L00189 BASEPAN WELDMENT, RETURN SIDE	M12	- DCG2404004VHXABA
291	0270L00336 BASEPAN WELD, OUTDOOR	M13	- DCG2404004VHXCBA
301	0121L00948 BASE PAN-SUPPLY	M14	- DCG2404004VHXNBA
321	0121L00647 MTG RAIL-COMPRESSOR (QTY 2)	M15	- DCG2404004VHXXBA
331	ZP120KCETFD155 COMP, 123,000, 460/60/3 (M17, M18)	M16	- DCG2404004VVXDBA
331	ZP122KCETFD155 COMP, 124000, 460/60/3 (M8, M9, M10, M11, M12, M13, M14, M15, M16, M19)	M17	- DCG2404004VXXXAA
331	ZP122KCETFE155 COMP, 124000, 575/60/3 (M21, M22, M23, M26)	M18	- DCG2404004VXXXAB
331	ZP120KCETFE155 COMP, 121,000, 575/60/3 (M20, M24, M25)	M19	- DCG2404004VXXXBA
331	ZP120KCETF5250 COMP, 123,000, 200/230/60/3 (M6)	M20	- DCG2404007VHXAA B
331	ZP122KCETF5250 COMP, 124000, 200/230/60/3 (M1, M2, M3, M4, M5, M7)	M21	- DCG2404007VHXABA
341	0130L00019 CRANK CASE HEATER, 70W, 575V (M21, M22, M23, M26)	M22	- DCG2404007VVXCBA
341	0130L00020 CRANK CASE HEATER, 90W, 240V (M6)	M23	- DCG2404007VXXBA
341	0130L00021 CRANK CASE HEATER, 90W, 480V (M17, M18)	M24	- DCG2404007VXXXAA
341	0130L00022 CRANK CASE HEATER, 90W, 575V (M20, M24, M25)	M25	- DCG2404007VXXXAB
341	0130L00017 CRANK CASE HEATER-70W 240V (M1, M2, M3, M4, M5, M7)	M26	- DCG2404007VXXXBA
341	0130L00018 CRANK CASE HEATER-70W, 480V (M8, M9, M10, M11, M12, M13, M14, M15, M16, M19)		
351	0159L00048 COMPRESSOR SCROLL HARNESS (M1, M2, M3, M4, M5, M6, M7)		
351	0159L00049 COMPRESSOR SCROLL HARNESS (M1, M2, M3, M4, M5, M6, M7)		
351	0159L00072 COMPRESSOR SCROLL HARNESS (M8, M9, M10, M11, M12, M13, M14, M15, M16, M17, M18, M19, M20, M21, M22, M23, M24, M25, M26)		
351	0159L00073 COMPRESSOR SCROLL HARNESS (M8, M9, M10, M11, M12, M13, M14, M15, M16, M17, M18, M19, M20, M21, M22, M23, M24, M25, M26)		
361	0164M00018 COMPRESSOR GROMMET (QTY 8)		
371	B1393740 COMPRESSOR BOLT & SLEEVE (QTY 8)		
401	0121L00616 RAIL BRACE ANGLE, RIGHT (QTY 4)		
411	0121L00617 RAIL BRACE ANGLE, LEFT (QTY 4)		
421	0121L00723 BASE RAIL CORNER BRACE (QTY 4)		
NS	0163M00175 CAP WITH O-RING (QTY 4)		
NS	0259L00183 CRANK CASE HEATER WIRE HARNESS		
NS	0141L00029 FORK BOARD (QTY 2)		
NS	0121L00724 FORK BOARD BRACKET (QTY 4)		
NS	0121L00605 FORK BOARD PLATE		

Blower Assembly



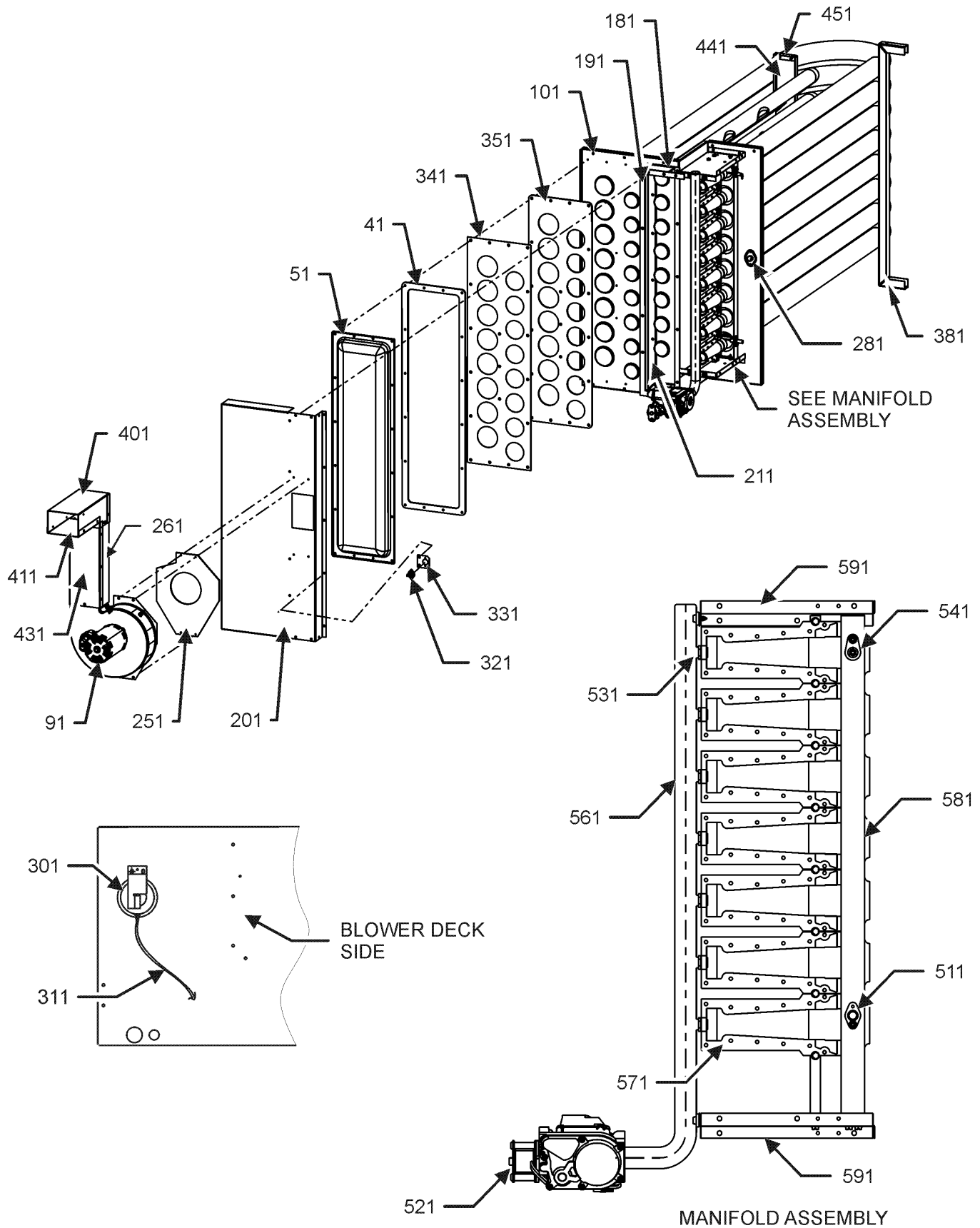
MOTOR SIDE VIEW



Blower Assembly

Ref. Part No: No:	Description:	Ref. Part No: No:	Description:
Image 1:		Expanded Model Nomenclature	
11	0131L00025	MOTOR, 5 HP BELT DRIVE 230V (M1, M2, M3, M4, M5, M6, M7)	M1 - DCG2404003VJKUBA M2 - DCG2404003VRXXBA M3 - DCG2404003VVXXBA M4 - DCG2404003VWDVBA M5 - DCG2404003VWXBBA M6 - DCG2404003VXXXAA M7 - DCG2404003VXXXBA
11	0131L00031	MOTOR, 5 HP BELT DRIVE 460 V (M8, M9, M10, M11, M12, M13, M14, M15, M16, M17, M18, M19)	M8 - DCG2404004VFDDBA M9 - DCG2404004VFMCSBA M10 - DCG2404004VFXBBA M11 - DCG2404004VHBXBA M12 - DCG2404004VHXABA M13 - DCG2404004VHXCBA M14 - DCG2404004VHXNBA M15 - DCG2404004VHXXBA M16 - DCG2404004VVXDBA M17 - DCG2404004VXXXAA M18 - DCG2404004VXXXAB M19 - DCG2404004VXXXBA
11	0131L00028	MOTOR, 5 HP BELT DRIVE 575 V (M20, M21, M22, M23, M24, M25, M26)	M20 - DCG2404007VHXABA M21 - DCG2404007VHXABA M22 - DCG2404007VXCBA M23 - DCG2404007VXXBA M24 - DCG2404007VXXXAA M25 - DCG2404007VXXXAB M26 - DCG2404007VXXXBA
31	0163L00052	SHEAVE-VARIABLE PITCH	
41	0163L00139	SHEAVE, FIXED BK100H	
51	0164L00013	FAN BELT-NOTCHED (M1, M2, M3, M4, M5, M6, M7, M8, M9, M10, M11, M12, M13, M14, M15, M16, M18, M19, M20, M21, M22, M23, M24, M25, M26)	
51	0164L00005	NOTCHED FAN BELT BX46 (M17)	
61	0121L01430	MOTOR BASE (M1, M2, M3, M4, M5, M6, M7, M8, M9, M10, M11, M12, M13, M14, M15, M16, M18, M19, M20, M21, M22, M23, M24, M25, M26)	
61	0121L01049	MOTOR BASE PLATE (M17)	
71	0121L00482	BLOWER SIDE ANGLE (QTY 4)	
81	0121L00479	BLOWER RAIL (QTY 2)	
111	0271L00027	150-15R BD 1.44 TWIN BLOWER	
171	0130M00064	LIMIT (M2, M3, M4, M5, M6, M7, M8, M9, M10, M11, M12, M13, M14, M15, M16, M17, M18, M19, M20, M21, M22, M23, M24, M25, M26)	
181	0121L00594	SECONDARY LIMIT BRACKET (M2, M3, M4, M5, M6, M7, M8, M9, M10, M11, M12, M13, M14, M15, M16, M17, M18, M19, M20, M21, M22, M23, M24, M25, M26)	
251	0163M00351	BOLT, 3/8-16-6 (M1, M2, M3, M4, M5, M6, M7, M8, M9, M10, M11, M12, M13, M14, M15, M16, M18, M19, M20, M21, M22, M23, M24, M25, M26)	
291	0121L01429	BRACKET, DRIVE SCREW (M1, M2, M3, M4, M5, M6, M7, M8, M9, M10, M11, M12, M13, M14, M15, M16, M18, M19, M20, M21, M22, M23, M24, M25, M26)	
NS	0163M00352	3/8-16 JAM NUT (M1, M2, M3, M4, M5, M6, M7, M8, M9, M10, M11, M12, M13, M14, M15, M16, M18, M19, M20, M21, M22, M23, M24, M25, M26)	
NS	0163M00084	HEX LOCKNUT, NYLON INSERT	
NS	0163L00034	HOKED BOLT (M17)	
NS	0121L00557	MOTOR ADJUST BRACKET (M17)	
NS	0163M00085	WASHER (QTY 4)	

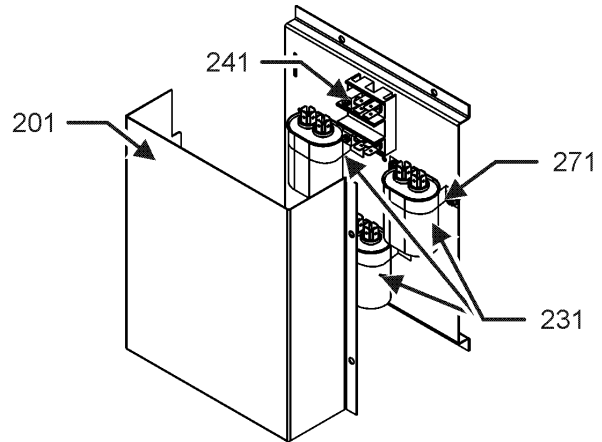
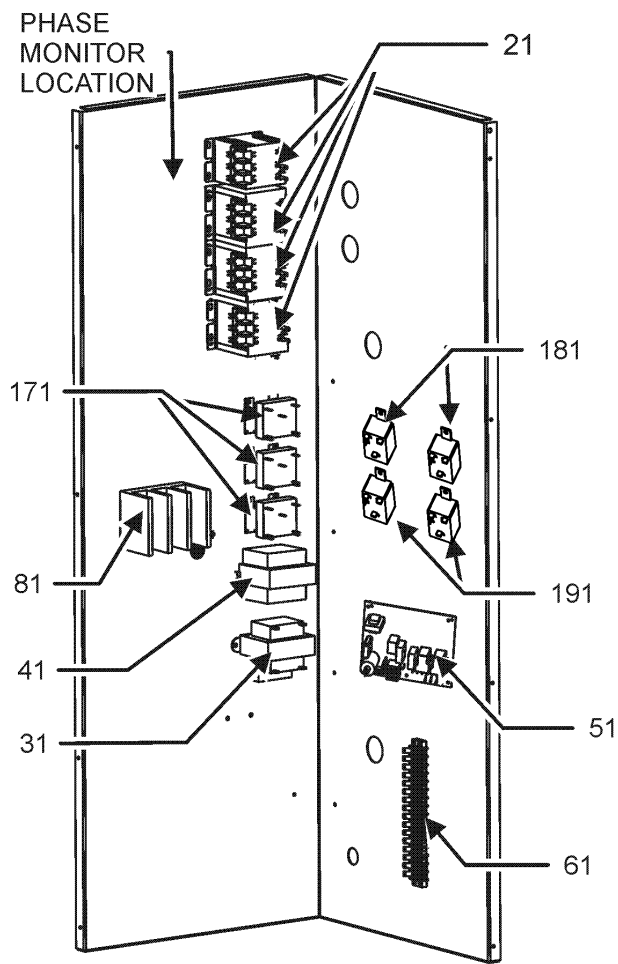
Heat Exchange Assembly



Heat Exchange Assembly

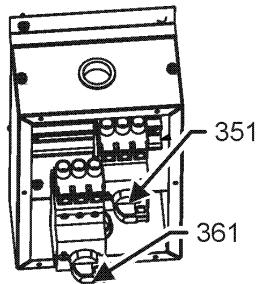
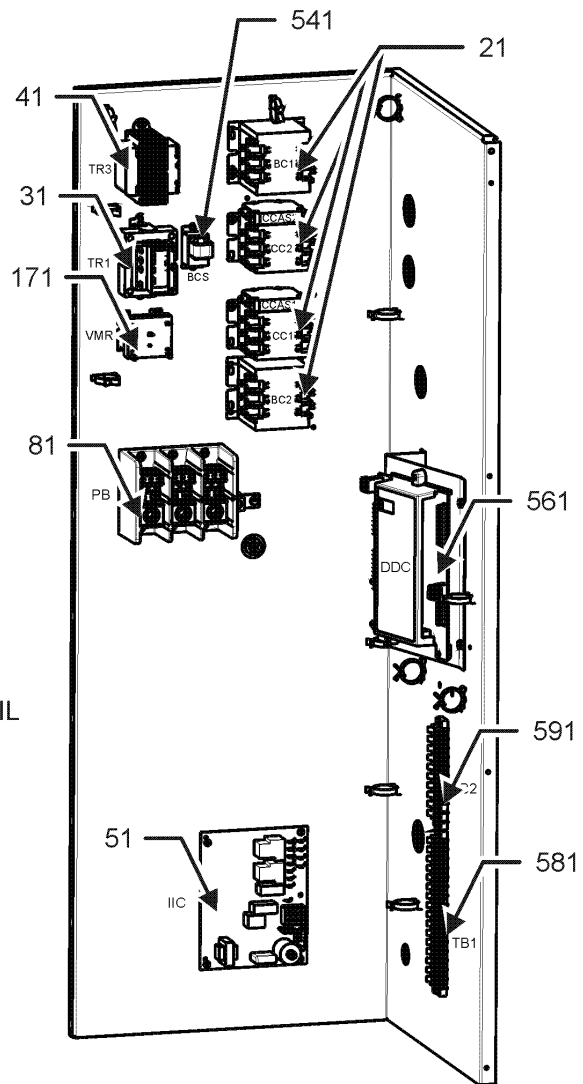
Ref. Part No:	No:	Description:	Ref. Part No:	No:	Description:
Image 1:			Expanded Model Nomenclature		
41	0154L00025	GASKET-COVER REAR 8	M1	-	DCG2404003VJKUBA
51	0121L00545	COVER-REAR 8 TUBE	M2	-	DCG2404003VRXXBA
91	0131L00014	MOTOR-ID VENT	M3	-	DCG2404003V VXXBA
101	0270L00186	PARTITION TUBE ASSY 8B (M2, M3, M4, M5, M6, M7, M8, M9, M10, M11, M12, M13, M14, M15, M16, M17, M18, M19, M20, M21, M22, M23, M24, M25, M26)	M4	-	DCG2404003VWDVBA
101	0270L00221	PARTITION TUBE ASSY-8B SS (M1)	M5	-	DCG2404003VWXBBA
181	0154L00026	INNER COLLECTOR BOX GASKET	M6	-	DCG2404003VXXXAA
191	0154L00027	OUTER COLLECTOR BOX GASKET	M7	-	DCG2404003VXXXBA
201	0121L00550	COVER-COLLECTOR BOX 8	M8	-	DCG2404004VFDDBA
211	0121L00546	CHANNEL-COLLECTOR BOX 8	M9	-	DCG2404004VFM CBA
251	0154L00029	ID BLOWER GASKET	M10	-	DCG2404004VFX XBA
261	0121L00668	FLUE WRAPPER, BACK	M11	-	DCG2404004VHB XBA
281	20162903	PRIMARY LIMIT - BLUE	M12	-	DCG2404004VHXABA
301	11112501	PRESSURE SWITCH	M13	-	DCG2404004VHX CBA
311	A3468601	PRESSURE SWITCH HOSE	M14	-	DCG2404004VHXNBA
321	10123529	MANUAL RESET LIMIT	M15	-	DCG2404004VHX XBA
331	0121L00053	FLAME ROLLOUT BRACKET	M16	-	DCG2404004V V XDBA
341	0121L00548	PLATE-TUBE PANEL 8	M17	-	DCG2404004VXXXAA
351	0154L00028	GASKET-TUBE PANEL 8	M18	-	DCG2404004VXXXAB
381	0121L00930	SUPPORT-HEAT TUBES 2.25	M19	-	DCG2404004VXXXBA
401	0121L02100	FLUE WRAPPER EXIT (M2, M3, M4, M5, M6, M7, M8, M9, M10, M11, M12, M13, M14, M15, M16, M17, M18, M19, M20, M21, M22, M23, M24, M25, M26)	M20	-	DCG2404007VHXABA
401	0121L00670	FLUE-EXIT WRAPPER (M1)	M21	-	DCG2404007VHXABA
411	0121L00671	FLUE COVER EXIT	M22	-	DCG2404007V VXCBA
431	0121L00669	FLUE COVER, FRONT	M23	-	DCG2404007V VXXBA
441	0121L00808	SUPPORT-HEAT TUBES 2.25	M24	-	DCG2404007VXXXAA
451	0121L00823	BRACKET-TUBE SUPPORT	M25	-	DCG2404007VXXXAB
511	20261709	IGNITOR	M26	-	DCG2404007VXXXBA
521	0151M00015	VALVE, GAS (HW) VR83			
531	0163L00014	ORIFICE (QTY 8)			
541	0130F00010	FLAME SENSOR			
561	0163L00033	MANIFOLD-GAS, 8 BURNER			
571	0163L00000	BECKETT BURNER (QTY 8)			
581	0121L00635	BRACKET-8 BURNERS			
591	0121G00268	BRACKET-BURNER TOP/BOT (QTY 2)			
NS	0163L00040	FLUE SCREEN			
NS	0121L00807	SUPPORT-HEAT TUBES			

Control Panel Assembly

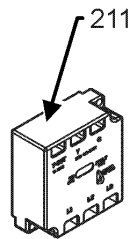


CAPACITOR ASSEMBLY

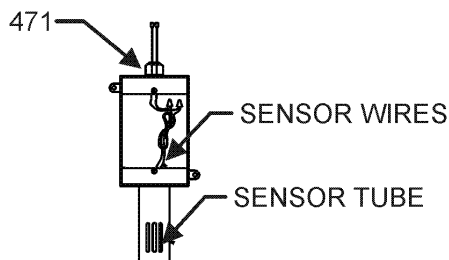
CONTROL PANEL FOR MODELS WITH DDC CONTROL



CIRCUIT BREAKER ASSEMBLY



PHASE MONITOR DETAIL



OUTDOOR AIR TEMP SENSOR

Control Panel Assembly

Ref. Part No:	Ref. Part No:	Description:	Description:
Image 1:		Image 1:	
21	CONT3P030024V	CONTACTOR 30 AMP, 3P, 24V (M8, M9, M10, M11, M12, M13, M14, M15, M16, M17, M18, M19, M20, M21, M22, M23, M24, M25, M26)	NS 0259L00118 CONDENSER FAN HARNESS, LONG
21	CONT3P040024V	CONTACTOR 40 AMP, 3P, 24V (M1, M2, M3, M4, M5, M6, M7)	NS 0259L00117 CONDENSER FAN HARNESS, MEDIUM
21	CONT3P050024V	CONTACTOR 50 AMP, 3P, 24V (M1, M2, M3, M4, M5, M6, M7)	NS 0259L00116 CONDENSER FAN HARNESS, SHORT
31	0130L00205	TRANSFORMER (M1, M2, M3, M4, M5, M6, M7)	NS 0259L00183 CRANK CASE HEATER WIRE HARNESS
31	0130L00206	TRANSFORMER (M8, M9, M10, M11, M12, M13, M14, M15, M16, M18, M19)	NS 0130L00112 Duct Temp Sensor (M2, M8, M9, M10)
31	0130L00207	TRANSFORMER (M20, M21, M22, M23, M25, M26)	NS 0259L00398 HARN, COMP1-CCH-HPS-LPS (M2, M8, M9, M10)
31	0130M00595	TRANSFORMER, 75VA, 480V TO 24V (M17)	NS 0259L00392 HARN, DCC 10 PIN CONN (M2, M8, M9, M10)
31	0130M00598	TRANSFORMER, 75VA, 575V TO 24V (M24)	NS 0259L00430 HARN, DDC 12 PIN CONN 2 SP (M2, M8, M9, M10)
41	0130M00596	TRANS, 150VA, 480V TO 230V (M8, M9, M10, M11, M12, M13, M14, M15, M16, M17, M18, M19)	NS 0259L00389 HARN, DDC 2 PIN CONN (M2, M8, M9, M10)
41	0130M00597	TRANS, 150VA, 575V TO 230V (M20, M21, M22, M23, M24, M25, M26)	NS 0259L00390 HARN, DDC 6 PIN CONN (M2, M8, M9, M10)
51	PCBAG123	IGNITION BOARD, DSI INTEGRATED	NS 0259L00391 HARN, DDC 8 PIN CONN (M2, M8, M9, M10)
61	0130M00038	TERMINAL BOARD	NS 0259L00394 HARN, IIC (M2, M8, M9, M10)
81	16220-3	BLOCK, POWER (M17, M24)	NS 0259L00395 HARN, TR1 PWR CNTL (M2, M8, M9, M10)
81	0130M00042	POWER BLOCK (M1, M2, M3, M4, M5, M6, M7, M8, M9, M10, M11, M12, M13, M14, M15, M16, M18, M19, M20, M21, M22, M23, M25, M26)	NS 0159L00052 HARNESS JUMPER LONG
171	0130M00025	24V RELAY (QTY 3)	NS 0259L00134 HARNESS, 12 PIN GAS
181	0130M00242	RELAY, 24V (QTY 2)	NS 0259L00429 HARNESS, BC2 POWER (M2, M8, M9, M10)
191	10135604	RELAY (QTY 2)	NS 0259L00164 HARNESS, ECONOMIZER AC (M17, M24)
201	0121L00586	CAPACITOR COVER	NS 0159L00051 HARNESS, JUMPER SHORT
211	0130L00105	PHASE MONITOR (M9, M11)	NS 0259L00181 HARNESS-BELT DRIVE 2 SP MOTOR
231	CAP100000370LA	CAPACITOR 10/370V (M1, M2, M3, M4, M5, M6, M7, M8, M9, M10, M11, M12, M13, M14, M15, M16, M18, M19)	NS 0259L00187 ISO RELAY HARNESS
231	CAP050000370LA	CAPACITOR 5/370V (M17, M24)	NS 0130L00107 ROOM SENSOR (M2, M8, M9, M10)
231	CAP050000440LA	CAPACITOR 5/440V (M20, M21, M22, M23, M25, M26)	NS 0259L00188 TERMINAL BOARD HARNESS
241	B1368250	TERMINAL BLOCK (HIGH VOLTAGE)	NS 0259L00171 TRANSFORMER HARNESS
271	20520901	CAPACITOR STRAP (QTY 3)	NS 0259L00189 TRANSFORMER HARNESS
351	0130L00083	ROTARY MANUAL MOTOR PROTECTOR (M20, M21, M22, M23, M24, M25, M26)	NS 0259L00415 WIRE ASSY (M9)
351	0130L00084	ROTARY MANUAL MOTOR PROTECTOR (M1, M2, M3, M4, M5, M6, M7, M8, M9, M10, M11, M12, M13, M14, M15, M16, M17, M18, M19)	NS 0259L00427 WIRE ASSY (M9, M11)
361	0130L00082	ROTARY MANUAL MOTOR PROTECTOR (M8, M9, M10, M11, M12, M13, M14, M15, M16, M17, M18, M19, M20, M21, M22, M23, M24, M25, M26)	NS 0259L00428 WIRE ASSY (M9, M11)
361	0130L00085	ROTARY MANUAL MOTOR PROTECTOR (M1, M2, M3, M4, M5, M6, M7)	NS 0259L00444 WIRE HARN, SMOKE DET LG DDC (M8)
471	0130L00108	OD Air Temp Sensor (M2, M8, M9, M10)	NS 0259L00169 WIRE HARNESS ASSY
541	0259L00368	CURRENT SWITCH WITH TERMS (M2, M8, M9, M10)	NS 0259L00175 WIRE HARNESS ASSY
561	PCBCG103	PCB, CONTROL, HP, GAS, AC (M2, M8, M9, M10)	NS 0259L00193 WIRE HARNESS, ECONOMIZER (M1, M2, M3, M4, M5, M6, M7, M8, M9, M10, M11, M12, M13, M14, M15, M16, M18, M19, M20, M21, M22, M23, M25, M26)
581	0130M00275	TERMINAL BOARD (M2, M8, M9, M10)	
591	0130M00274	TERMINAL BOARD (M2, M8, M9, M10)	
NS	0259L00185	BLOWER RELAY HARNESS	
NS	0259L00186	BLOWER RELAY HARNESS	
NS	0259L00190	CIRCUIT BREAKER HARNESS	

Control Panel Assembly

Ref. Part

No: No:

Description:

Ref. Part

No: No:

Description:

Expanded Model Nomenclature

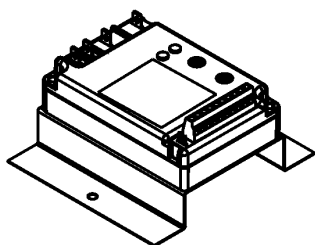
M1 - DCG2404003VJKUBA
M2 - DCG2404003VRXXBA
M3 - DCG2404003VVXXBA
M4 - DCG2404003VWDVBA
M5 - DCG2404003VWXBBA
M6 - DCG2404003VXXXAA
M7 - DCG2404003VXXXBA
M8 - DCG2404004VFDDBA
M9 - DCG2404004VFMGBA
M10 - DCG2404004VFXBBA
M11 - DCG2404004VHBXBA
M12 - DCG2404004VHXABA
M13 - DCG2404004VHXCBA
M14 - DCG2404004VHXNBA
M15 - DCG2404004VHXXBA
M16 - DCG2404004VVXDBA
M17 - DCG2404004VXXXAA
M18 - DCG2404004VXXXAB
M19 - DCG2404004VXXXBA
M20 - DCG2404007VHXAAB
M21 - DCG2404007VHXABA
M22 - DCG2404007VVXCBA
M23 - DCG2404007VVXXBA
M24 - DCG2404007VXXXAA
M25 - DCG2404007VXXXAB
M26 - DCG2404007VXXXBA

Accessory Parts List

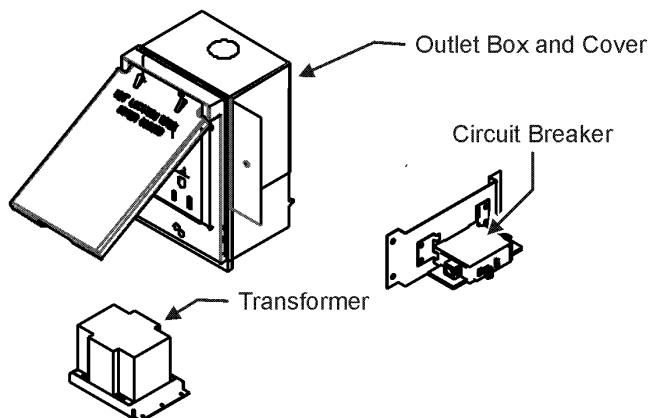
ACCESSORY PARTS LIST

NOTE: NOT ALL OPTIONS AVAILABLE FOR ALL PRODUCTS

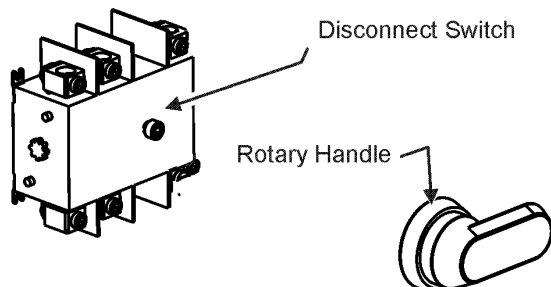
1 LOW AMBIENT KITS



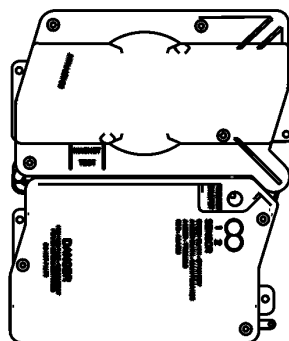
2 GFCI CONVENIENCE OUTLET



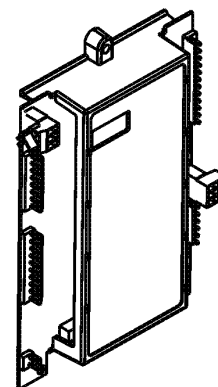
3 DISCONNECT MODULE (NON-FUSED)



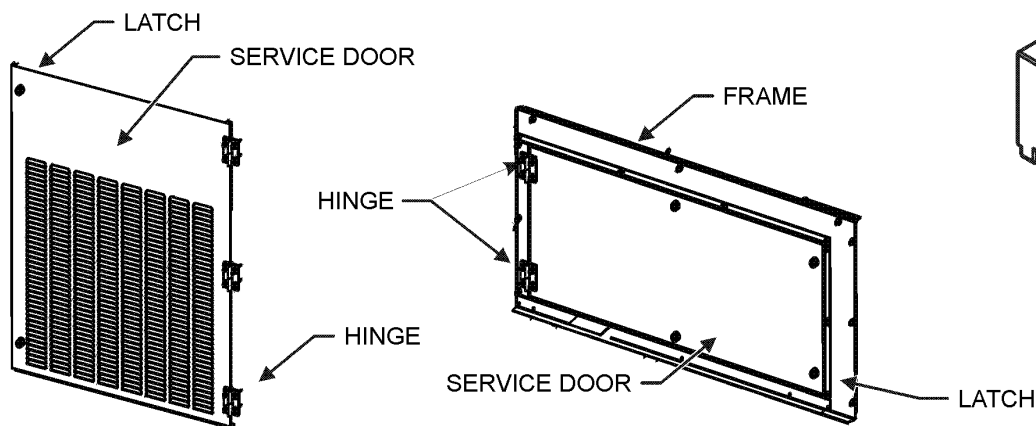
4 SMOKE DETECTORS



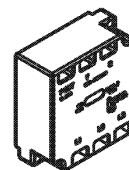
5 DDC CONTROL



6 HINGED DOOR ASSEMBLIES



7 PHASE MONITOR



Accessory Parts List

Ref. Part No:	Description:	Ref. Part No:	Description:
Image 1:		Expanded Model Nomenclature	
NS DDNECNJ180300B	15-25 TON DFLOW ECON (M3, M4, M5, M16, M22, M23)	M1 - DCG2404003VJKUBA	
NS 1036611B	15-25 TON DFLOW ECONOMIZER (M1)	M2 - DCG2404003VRXXBA	
NS 10366D11B	15-25T DFLOW ECON, DDC (M2, M8, M9, M10)	M3 - DCG2404003VXXBA	
NS 0121L00855	BRACKET- DISCONNECT SWITCH (M1, M2, M4, M5, M11, M12, M13, M14, M15, M20, M21)	M4 - DCG2404003VWDVBA	
NS 0121L00316	BRACKET-CONV OUTLET MOUNT (M1, M5, M12, M14, M20, M21)	M5 - DCG2404003VWXBBA	
NS 0121L01053	BRACKET-SMOKE DETECTOR (M8)	M6 - DCG2404003VXXXAA	
NS 0130M00065	CIRCUIT BREAKER, CONVENIENCE OUTLET (M5, M14)	M7 - DCG2404003VXXBA	
NS 0121L01603NG	CONTROL DOOR (M1, M4, M8, M9)	M8 - DCG2404004VFDDBA	
NS 0121L00839NG	DISCONNECT COVER (M1, M2, M4, M5, M11, M12, M13, M14, M15, M20, M21)	M9 - DCG2404004VFMCSA	
NS 0121L01601NG	FILTER DOOR (M1, M4, M8, M9)	M10 - DCG2404004VFXBBA	
NS 0130L00012	GANG BOX-GFCI OUTLET (M1, M5, M12, M14, M20, M21)	M11 - DCG2404004VHBXBA	
NS 0130L00039	HANDLE, ROTARY (M1, M2, M4, M5, M11, M12, M13, M14, M15, M20, M21)	M12 - DCG2404004VHXABA	
NS 0163M00307	HINGE, LEFT HAND (M1, M4, M8, M9)	M13 - DCG2404004VHXCBA	
NS 0163M00360	LATCH (M1, M4, M8, M9)	M14 - DCG2404004VHXNBA	
NS 0130M00059	LOW AMBIENT KIT (M9)	M15 - DCG2404004VHXXBA	
NS 0121L01486NG	PNT, SERVICE DOOR BACK BLOWER (M1, M4, M8, M9)	M16 - DCG2404004VVXDBA	
NS 0121L01485NG	PNT, SERVICE DOOR FRONT BLOWER (M1, M4, M8, M9)	M17 - DCG2404004VXXXAA	
NS 0161G00012	POWER OUTLET BOX (M1, M5, M12, M14, M20, M21)	M18 - DCG2404004VXXXAB	
NS 0130L00103	RECEPTACLE-GFCI OUTLET (M1, M5, M12, M14, M20, M21)	M19 - DCG2404004VXXXBA	
NS 0121L01484NG	SERVICE DOOR FRAME, BLOWER (M1, M4, M8, M9)	M20 - DCG2404007VHXAAAB	
NS 0130L00043	SHAFT, CUT (M2, M4)	M21 - DCG2404007VHXABA	
NS 0130L00059	SHAFT, CUT (M11, M12, M13, M14, M15, M20, M21)	M22 - DCG2404007VVXCBA	
NS 0130L00049	SHAFT, DISCONNECT (M1, M2, M4, M5, M11, M12, M13, M14, M15, M20, M21)	M23 - DCG2404007VXXBA	
NS D4120	SMOKE DETECTOR, PHOTO 4WIRE (M8)	M24 - DCG2404007VXXXAA	
NS 0130L00033	SWITCH-DISCONNECT 200A (M1, M2, M4, M5)	M25 - DCG2404007VXXXAB	
NS 0130L00046	SWITCH-DISCONNECT 60A (M11, M12, M13, M14, M15, M20, M21)	M26 - DCG2404007VXXXBA	
NS 0130M00061	TRANSFORMER, CONVENIENCE OUTLET (M5, M14)		