

Commercial 20 Ton Package Gas Unit

DCG2404003BAXAAB
DCG2404003BAXXAB
DCG2404003BBXXAB
DCG2404003BJXGAB
DCG2404003BJXUAB
DCG2404003BXXDAB
DCG2404003BXXXAC
DCG2404004BAXXAC
DCG2404004BBXXAC
DCG2404004BFXXAC
DCG2404004BHDGAC
DCG2404004BHDJAC
DCG2404004BHSAAC
DCG2404004BHxDAC
DCG2404004BHXXAC
DCG2404004BJXBAC
DCG2404004BJXFAC
DCG2404004BJXGAC
DCG2404004BJXJAC
DCG2404004BJXRAC
DCG2404004BRxDAC
DCG2404004BVSXAC
DCG2404004BVXXAC
DCG2404004BWXHAC
DCG2404004BXXBAC
DCG2404004BXXDAC
DCG2404004BXXXAD
DCG2404007BAXXAC
DCG2404007BBXXAC
DCG2404007BXSXAC



This manual is to be used by qualified technicians only.

This manual replaces RP-D1102F.

Important Information

Index

Functional Parts List	3
Illustration and Parts	4 - 19

Views shown are for parts illustrations only, not servicing procedures

Text Codes:

AR - As Required

NA - Not Available

NS - Not Shown

00000000 - See Note

QTY - Quantity Example (QTY 3) (If Quantity not shown, Quantity = 1)

M - Model Example (M1) (If M Code not shown, then part is used on all Models)

Expanded Model Nomenclature:

Example M1 - Model#1 M2 - Model#2 M3 - Model#3

Daikin Company, L.P. is not responsible for personal injury or property damage resulting from improper service. Review all service information before beginning repairs.

Warranty service must be performed by an authorized technician, using authorized factory parts. If service is required after the warranty expires, Daikin Company, L.P. also recommends contacting an authorized technician and using authorized factory parts.

Daikin Company, L.P. reserves the right to discontinue, or change at any time, specifications or designs without notice or without incurring obligations.

For assistance within the U.S.A. contact:

Equipment Support
Daikin North America, LLC
19001 Kermier Road
Waller, Texas 77484
855-770-5678-Telephone
713-863-2382-Facsimile

For assistance outside the U.S.A. contact:

International Division
Daikin North America, LLC
19001 Kermier Road
Waller, Texas 77484
713-861-2500-Telephone
713-863-2382-Facsimile

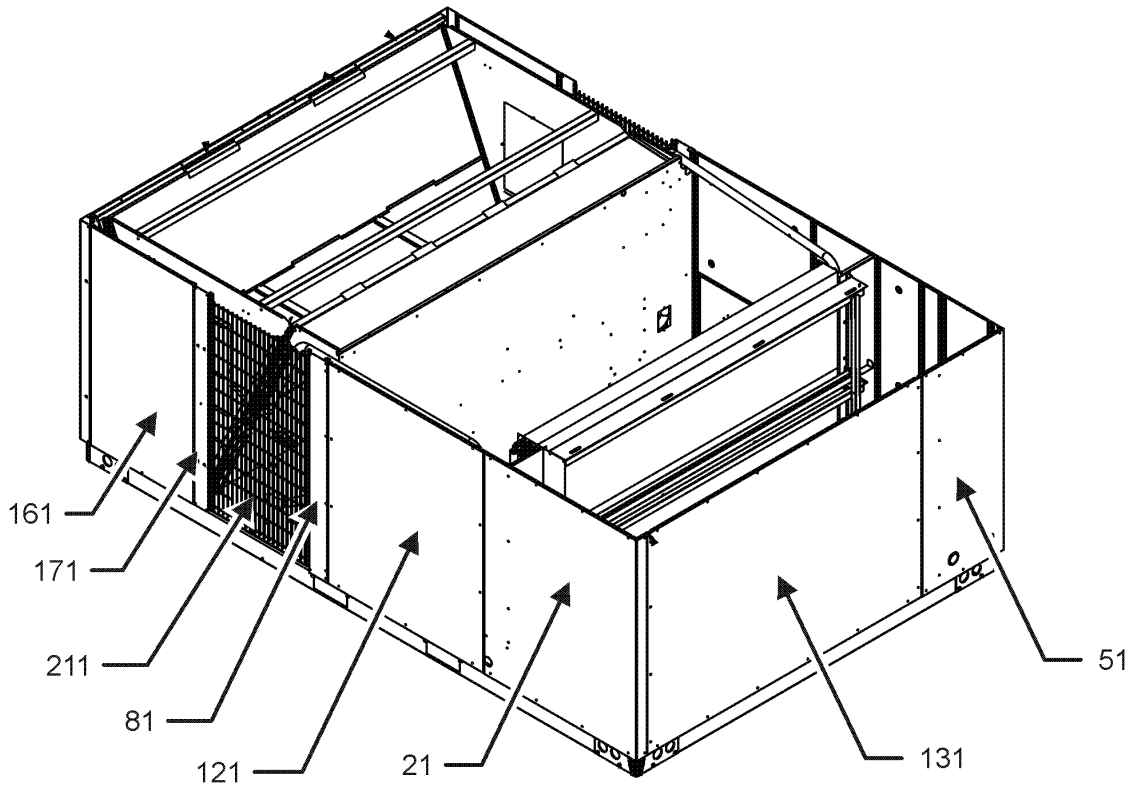
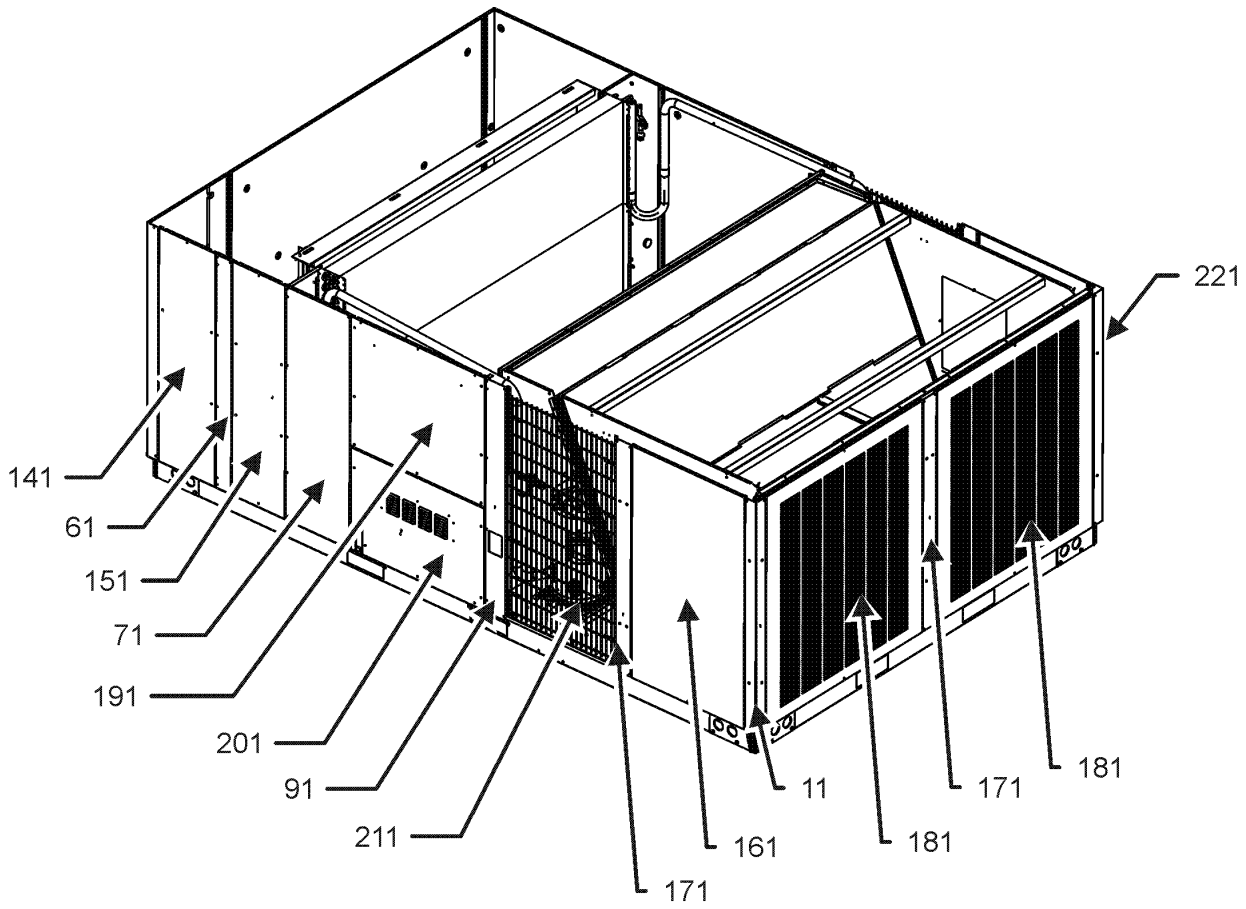
Functional Parts

Part

No: Description:

Part No:	Description:	Part No:	Description:
0271L00027	150-15R BD 1.44 TWIN BLOWER	0130M00146	TRANSFORMER 480V TO 230V, 150VA (M8, M9, M10, M11, M12, M13, M14, M15, M16, M17, M18, M19, M20, M21, M22, M23, M24, M25, M26, M27)
0130M00025	24V RELAY (QTY 3)	0130M00145	TRANSFORMER 480V to 24V, 75VA (M8, M9, M10, M11, M12, M13, M14, M15, M16, M17, M18, M19, M20, M21, M22, M23, M24, M25, M26, M27)
0130M00249	AUXILLARY SWITCH (M3, M9, M10, M21, M29)	0130M00147	TRANSFORMER 575V TO 230V, 150VA (M28, M29, M30)
0163L00000	BECKETT BURNER (QTY 8)	0130M00148	TRANSFORMER 575V to 24V, 75VA (M28, M29, M30)
CAP100000370LA	CAPACITOR 10/370V (M1, M2, M3, M4, M5, M6, M7, M8, M9, M10, M11, M12, M13, M14, M15, M16, M17, M18, M19, M20, M21, M22, M23, M24, M25, M26, M27)	0151M00015	VALVE, GAS (HW) VR83
CAP050000440LA	CAPACITOR 5/440V (M28, M29, M30)	0151L00011	VALVE, TXV R-410A (QTY 2)
ZP122KCETFD155	COMP, 124000, 460/60/3 (M8, M9, M10, M11, M12, M13, M14, M15, M16, M17, M18, M19, M20, M21, M22, M23, M24, M25, M26, M27)	Expanded Model Nomenclature	
ZP122KCETFE155	COMP, 124000, 575/60/3 (M28, M29, M30)	M1 - DCG2404003BAXAAB	
ZP122KCETF5250	COMP, 124000, 200/230/60/3 (M1, M2, M3, M4, M5, M6, M7)	M2 - DCG2404003BAXXAB	
0131M00430	COND MOTOR 1/3 HP, 1 SP, 6 PL (M1, M2, M3, M4, M5, M6, M7)	M3 - DCG2404003BBXXAB	
0131M00500	COND MOTOR 1/3 HP, OD, LAK (M28, M29, M30)	M4 - DCG2404003BJXGAB	
0131M00274	COND MOTOR 5.0 HP (M1, M2, M3, M4, M5, M6, M7, M8, M9, M10, M11, M12, M13, M14, M15, M16, M17, M18, M19, M20, M21, M22, M23, M24, M25, M26, M27)	M5 - DCG2404003BJXUAB	
CONT3P040024V	CONTACTOR 40 AMP, 3P, 24V (M3)	M6 - DCG2404003BXXDAB	
CONT3P050024V	CONTACTOR 50 AMP, 3P, 24V (M1, M2, M4, M5, M6, M7)	M7 - DCG2404003BXXXAC	
0130L00019	CRANK CASE HEATER, 70W, 575V (M28, M29, M30)	M8 - DCG2404004BAXXAC	
0130L00017	CRANK CASE HEATER-70W 240V (M1, M2, M3, M4, M5, M6, M7)	M9 - DCG2404004BBXXAC	
0130L00018	CRANK CASE HEATER-70W, 480V (M8, M9, M10, M11, M12, M13, M14, M15, M16, M17, M18, M19, M20, M21, M22, M23, M24, M25, M26, M27)	M10 - DCG2404004BFXXAC	
PCBCG100	DDC Controller (M3, M9, M10, M21, M29)	M11 - DCG2404004BHDGAC	
0130L00112	Duct Temp Sensor (M3, M9, M10, M21, M29)	M12 - DCG2404004BHDJAC	
0164L00006	FAN BELT, NOTCHED	M13 - DCG2404004BHSAAC	
10625733	FAN BLADE 22" ALUM CCW (QTY 3)	M14 - DCG2404004BHXDAC	
0130F00010	FLAME SENSOR	M15 - DCG2404004BHXXAC	
0130M00074	HIGH PRESSURE SWITCH (QTY 2)	M16 - DCG2404004BJXBAC	
PCBAG123	IGNITION BOARD, DSI INTEGRATED	M17 - DCG2404004BJXFAC	
20261709	IGNITOR	M18 - DCG2404004BJXGAC	
0130M00064	LIMIT	M19 - DCG2404004BJXJAC	
0130M00087	LOW PRESSURE SWITCH (QTY 2)	M20 - DCG2404004BJXRAC	
10123529	MANUAL RESET LIMIT-GREEN	M21 - DCG2404004BRXDAC	
0131M00774	MOTOR, 1/3 HP, OD (M8, M9, M10, M11, M12, M13, M14, M15, M16, M17, M18, M19, M20, M21, M22, M23, M24, M25, M26, M27)	M22 - DCG2404004BVXSAC	
0131L00007	MOTOR-5 HP BELT DRIVE 575V 3P (M28, M29, M30)	M23 - DCG2404004BVXXAC	
0130L00108	OD Air Temp Sensor (M3, M9, M10, M21, M29)	M24 - DCG2404004BWXHAC	
11112501	PRESSURE SWITCH	M25 - DCG2404004BXXBAC	
20162903	PRIMARY LIMIT - BLUE	M26 - DCG2404004BXXDAC	
0130M00038	TERMINAL BOARD (M1, M2, M4, M5, M6, M7, M8, M11, M12, M13, M14, M15, M16, M17, M18, M19, M20, M22, M23, M24, M25, M26, M27, M28, M30)	M27 - DCG2404004BXXXAD	
0130M00275	TERMINAL BOARD (M3, M9, M10, M21, M29)	M28 - DCG2404007BAXXAC	
0130M00274	TERMINAL BOARD (M3, M9, M10, M21, M29)	M29 - DCG2404007BBXXAC	
0130M00144	TRANSFORMER (M1, M2, M3, M4, M5, M6, M7)	M30 - DCG2404007BXSXAC	

Cabinet Assembly

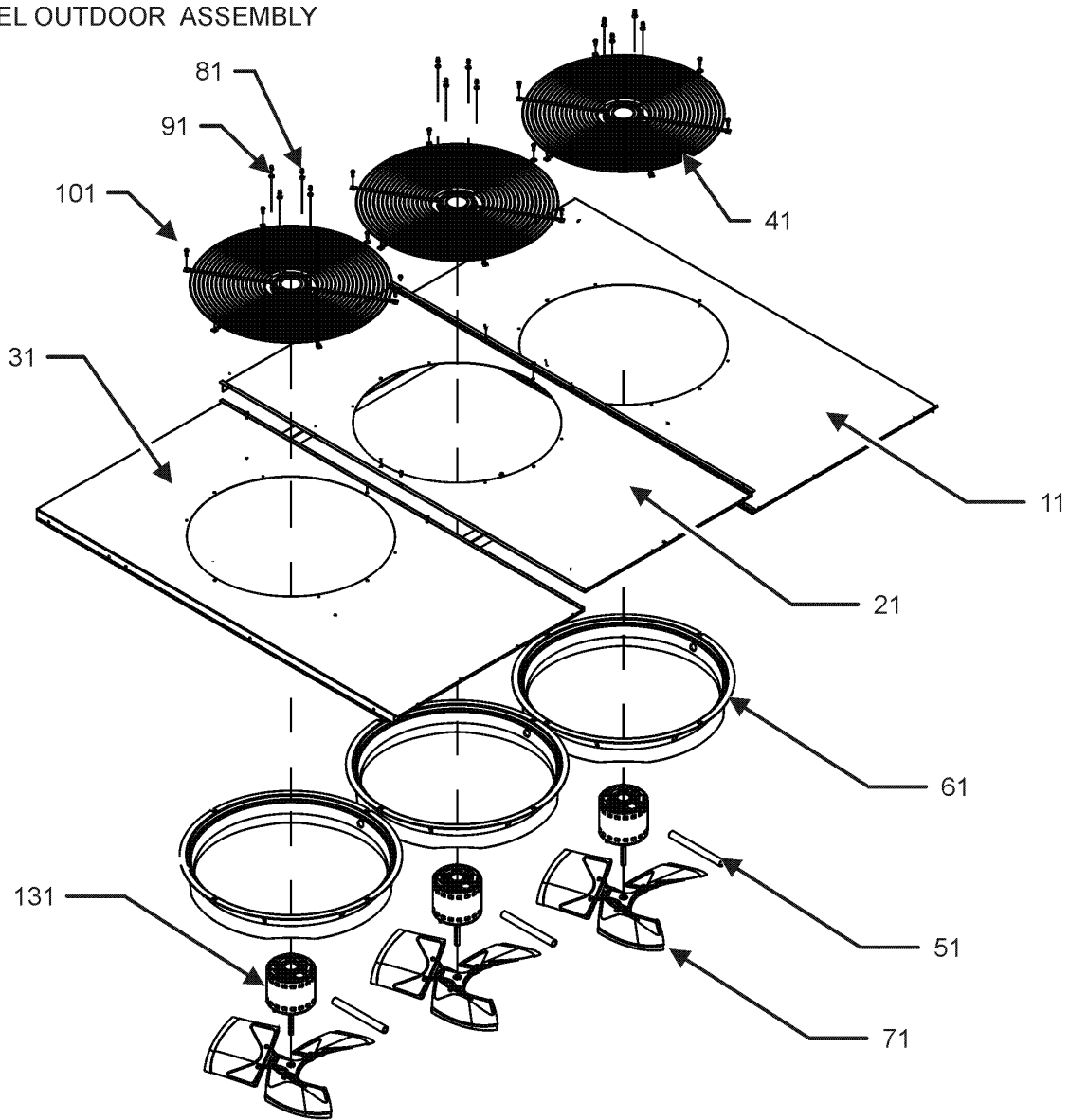


Cabinet Assembly

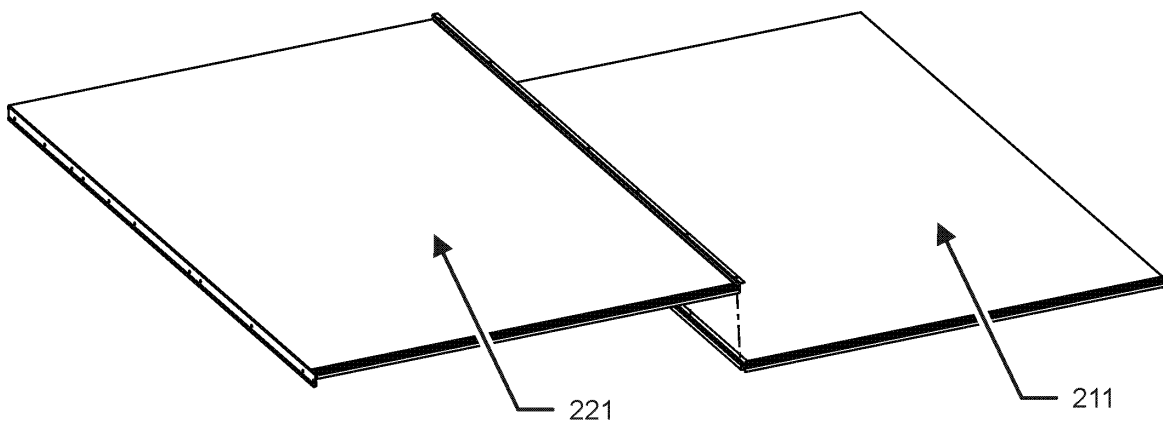
Ref. Part No: No:	Description:	Ref. Part No: No:	Description:
Image 1:		Expanded Model Nomenclature	
11	0121L01143NG POST, CORNER (QTY 2)	M1	- DCG2404003BAXAAB
21	0121L00681NG EVAP PANEL	M2	- DCG2404003BAXXAB
51	0121L00679NG CONTROL CORNER PANEL (M2, M3, M6, M7, M8, M9, M10, M22, M23, M25, M26, M27, M28, M29, M30)	M3	- DCG2404003BBXXAB
51	0121L01900NG CONTROL CORNER PANEL (M11, M12)	M4	- DCG2404003BJXGAB
51	0121L00800NG DUCT PANEL (M4, M5, M13, M14, M15, M16, M17, M18, M19, M20, M21, M24)	M5	- DCG2404003BJXUAB
51	0121L00742NG PAINTED CONTROL CORNER (M1)	M6	- DCG2404003BXXDAB
61	0121L02048NG CONTROL/FILTER POST (M1, M2, M3, M4, M5, M6, M7, M8, M9, M10, M13, M14, M15, M16, M17, M18, M19, M20, M21, M22, M23, M24, M25, M26, M27, M28, M29, M30)	M7	- DCG2404003BXXAC
61	0121L01937NG PNT. POST-CONTROL.FILTER (M11, M12)	M8	- DCG2404004BAXXAC
71	0121L01479NG BLOWER DOOR POST (M11, M12)	M9	- DCG2404004BBXXAC
71	0121L00710NG POST/BLOWER DOOR (M1, M2, M3, M4, M5, M6, M7, M8, M9, M10, M13, M14, M15, M16, M17, M18, M19, M20, M21, M22, M23, M24, M25, M26, M27, M28, M29, M30)	M10	- DCG2404004BFXXAC
81	0121L00903NG POST PARTITION-EVAP SIDE	M11	- DCG2404004BHDGAC
91	0121L01524NG POST PARTITION, GAS FLUE (M11, M12)	M12	- DCG2404004BHDJAC
91	0121L00904NG POST PARTITION-GAS FLUE (M1, M2, M3, M4, M5, M6, M7, M8, M9, M10, M13, M14, M15, M16, M17, M18, M19, M20, M21, M22, M23, M24, M25, M26, M27, M28, M29, M30)	M13	- DCG2404004BHSAAC
121	0121L00685NG BLOWER DOOR-EVAP SIDE	M14	- DCG2404004BHXDAC
131	0121L00688NG ACCESSORY PANEL	M15	- DCG2404004BHXXAC
141	0121L00687NG CONTROL DOOR (M1, M2, M3, M4, M5, M6, M7, M8, M9, M10, M13, M14, M15, M16, M17, M18, M19, M20, M21, M22, M23, M24, M25, M26, M27, M28, M29, M30)	M16	- DCG2404004BJXBAC
141	0121L01603NG CONTROL DOOR (M11, M12)	M17	- DCG2404004BJXFAC
151	0121L00686NG FILTER DOOR (M1, M2, M3, M4, M5, M6, M7, M8, M9, M10, M13, M14, M15, M16, M17, M18, M19, M20, M21, M22, M23, M24, M25, M26, M27, M28, M29, M30)	M18	- DCG2404004BJXGAC
151	0121L01601NG FILTER DOOR (M11, M12)	M19	- DCG2404004BJXJAC
161	0121L00907NG PANEL-COND SIDE (QTY 2)	M20	- DCG2404004BJXRAC
171	0121L01144NG POST, COND PANEL (QTY 3)	M21	- DCG2404004BRXDAC
181	0121L01174NG PANEL-LOUVER, END (QTY 2)	M22	- DCG2404004BVSXAC
191	0121L00713NG BLOWER DOOR-GAS SIDE	M23	- DCG2404004BVXXAC
201	0121L00712NG BURNERS DOOR	M24	- DCG2404004BWXHAC
211	0152L00000 GRILLE-CONDENSER (QTY 2)	M25	- DCG2404004BXXBAC
221	0121L00476NG TURNBUCKLE DOOR (QTY 16)	M26	- DCG2404004BXXDAC
NS	0121L00562NG HOOD-COMBUSTION AIR	M27	- DCG2404004BXXXAD
NS	M0204317 SCREW-MACHINE (QTY 18)	M28	- DCG2404007BAXXAC
		M29	- DCG2404007BBXXAC
		M30	- DCG2404007BXSXAC

Top Panel Assembly

TOP PANEL OUTDOOR ASSEMBLY



TOP PANEL INDOOR ASSEMBLY



Top Panel Assembly

Ref. Part No: No:	Description:	Ref. Part No: No:	Description:
-------------------	--------------	-------------------	--------------

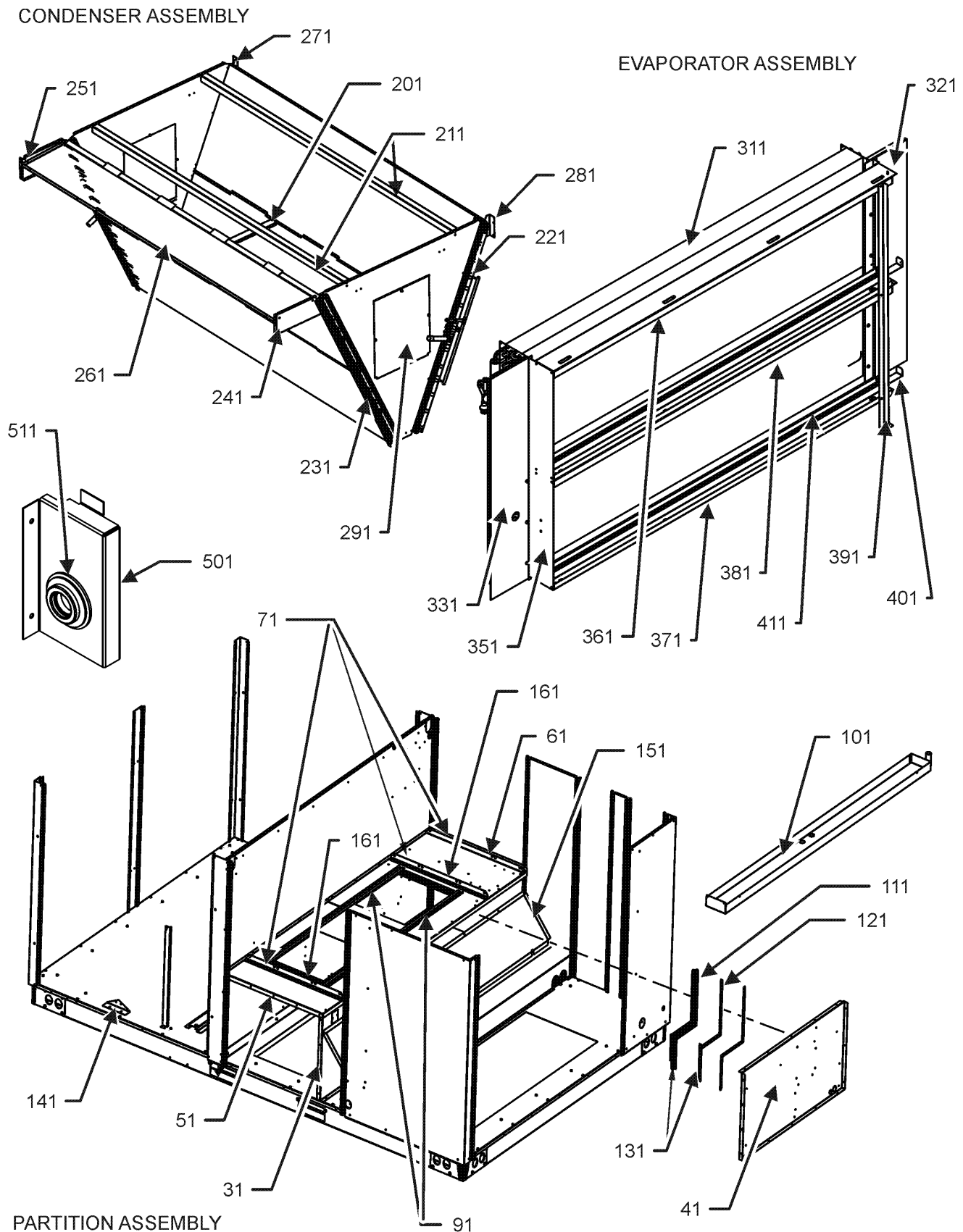
Image 1:

11	0121L01038NG	TOP-FAN,CONTROL SIDE
21	0121L01039NG	TOP-FAN, CENTER
31	0121L01040NG	TOP-FAN, EVAP SIDE
41	0152G00003	FAN GRILLE (QTY 3)
51	17788000083F	PVC CONDUIT 8.25" (QTY 3)
61	0161L00000	VENTURI RING 22" (QTY 3)
71	10625733	FAN BLADE 22" ALUM CCW (QTY 3)
81	0163M00006P	ACORN NUT 5/16 HEX BLACK (QTY 12)
91	0163M00005P	WASHER BLACK (.50 OD .218ID) (QTY 12)
101	0163M00004	SCREW #10X3/4", BLACK (QTY 24)
131	0131M00430	COND MOTOR 1/3 HP, 1 SP, 6 PL (M1, M2, M3, M4, M5, M6, M7)
131	0131M00500	COND MOTOR 1/3 HP, OD, LAK (M28, M29, M30)
131	0131M00774	MOTOR, 1/3 HP, OD (M8, M9, M10, M11, M12, M13, M14, M15, M16, M17, M18, M19, M20, M21, M22, M23, M24, M25, M26, M27)
211	0121L00693NG	TOP-CONTROL SIDE
221	0121L00694NG	TOP PANEL ASSY

Expanded Model Nomenclature

- M1 - DCG2404003BAXAAB
- M2 - DCG2404003BAXXAB
- M3 - DCG2404003BBXXAB
- M4 - DCG2404003BJXGAB
- M5 - DCG2404003BJXUAB
- M6 - DCG2404003BXXDAB
- M7 - DCG2404003BXXXAC
- M8 - DCG2404004BAXXAC
- M9 - DCG2404004BBXXAC
- M10 - DCG2404004BFXXAC
- M11 - DCG2404004BHDGAC
- M12 - DCG2404004BHDJAC
- M13 - DCG2404004BHSAAC
- M14 - DCG2404004BHxDAC
- M15 - DCG2404004BHXXAC
- M16 - DCG2404004BJXBAC
- M17 - DCG2404004BJXFAC
- M18 - DCG2404004BJXGAC
- M19 - DCG2404004BJXJAC
- M20 - DCG2404004BJXRAC
- M21 - DCG2404004BRxDAC
- M22 - DCG2404004BVSXAC
- M23 - DCG2404004BVXXAC
- M24 - DCG2404004BWXHAC
- M25 - DCG2404004BXXBAC
- M26 - DCG2404004BXXDAC
- M27 - DCG2404004BXXXAD
- M28 - DCG2404007BAXXAC
- M29 - DCG2404007BBXXAC
- M30 - DCG2404007BXSXAC

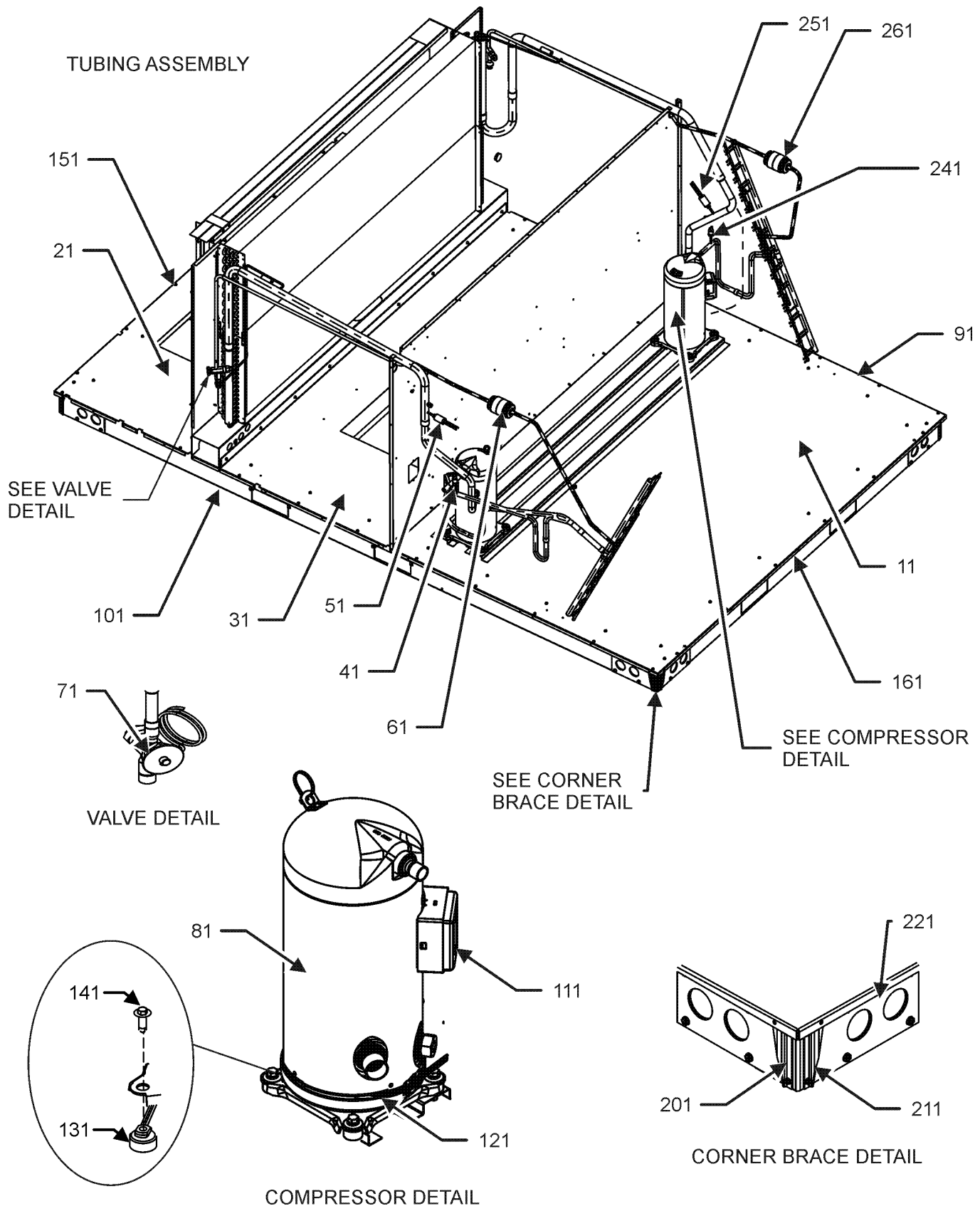
Partition, Condenser & Evaporator Assy



Partition, Condenser & Evaporator Assy

Ref. Part No: No:	Description:	Ref. Part No: No:	Description:
<i>Image 1:</i>		Expanded Model Nomenclature	
31	0121L01163 DECK, SIDE DUCT END	M1	- DCG2404003BAXAAB
41	0121L01162 DECK, SIDE HEAT END	M2	- DCG2404003BAXXAB
51	0121L01160 BLOWER DECK, EVAP SIDE	M3	- DCG2404003BBXXAB
61	0121L01161 BLOWER DECK, MOTOR SIDE	M4	- DCG2404003BJXGAB
71	0121L01431 MOTOR MOUNT ANGLE (QTY 3)	M5	- DCG2404003BJXUAB
91	0121L00478 BLOWER DECK RAIL (QTY 2)	M6	- DCG2404003BXXDAB
101	0270L00612DG WELDMENT-DRAIN PAN	M7	- DCG2404003BXXXAC
111	0121L00551 HEAT EXCHANGER ANGLE, RH SIDE	M8	- DCG2404004BAXXAC
121	0121L00552 HEAT EXCHANGER ANGLE, LH SIDE	M9	- DCG2404004BBXXAC
131	0121L00553 LOWER HEAT EXCHANGER ANGLE (QTY 2)	M10	- DCG2404004BFXAC
141	0121L00913 BRACKET-COND/BASEPAN (QTY 2)	M11	- DCG2404004BHDGAC
151	0121L01158 SHIELD, BLOWOFF	M12	- DCG2404004BHDJAC
161	0121L00481 BLOWER RAIL (QTY 2)	M13	- DCG2404004BHSAAC
201	0121L00901 BRACE-COND COILS (QTY 2)	M14	- DCG2404004BHxDAC
211	0121L01037 ANGLE, TOP BRACE (QTY 2)	M15	- DCG2404004BHXXAC
221	0201L00151 CONDENSER COIL ASSY C1	M16	- DCG2404004BJXBAC
231	0201L00152 CONDENSER COIL ASSY C2	M17	- DCG2404004BJXFAC
241	0121L01154 BRACKET, CONDENSER END C1	M18	- DCG2404004BJXGAC
251	0121L01156 BRACKET, CONDENSER END C2	M19	- DCG2404004BJXJAC
261	0121L00572 CONDENSER BLOCKOFF, INSIDE TOP	M20	- DCG2404004BJXRAC
271	0121L01155 BRACKET, COND/POST C1	M21	- DCG2404004BRXDAC
281	0121L01153 BRACKET, COND/POST C2	M22	- DCG2404004BVSXAC
291	0121L00910 COVER-COIL CLEANING (QTY 2)	M23	- DCG2404004BVXXAC
311	0202L00047 EVAPORATOR COIL ASSY (QTY 2)	M24	- DCG2404004BWXHAC
321	0121L00698 EVAPORATOR BLOCKOFF PANEL	M25	- DCG2404004BXXBAC
331	0121L00848 PANEL-EVAPORATOR, SMOKE DET	M26	- DCG2404004BXXDAC
351	0121L00933 ANGLE-FILTER, LEFT VERTICAL	M27	- DCG2404004BXXXAD
361	0121L01180 TOP ANGLE FILTER	M28	- DCG2404007BAXXAC
371	0121L01179 BOTTOM FILTER RACK	M29	- DCG2404007BBXXAC
381	0270L00658 CENTER FILTER RACK	M30	- DCG2404007BXSXAC
391	0121L00632 FILTER SUPPORT ANGLE		
401	0121L00640 FILTER PULL (QTY 2)		
411	0121L00703 BOTTOM BLOCKOFF, FILTER RACK		
501	0121L00697 GAS VALVE PIPE BRACKET		
511	B1910013 GAS LINE GROMMET		
NS	0160L00137 FILTER, 20 X 25 X 2, STANDARD (QTY 6)		
NS	0121L00321 SMOKE DETECTOR COVER		

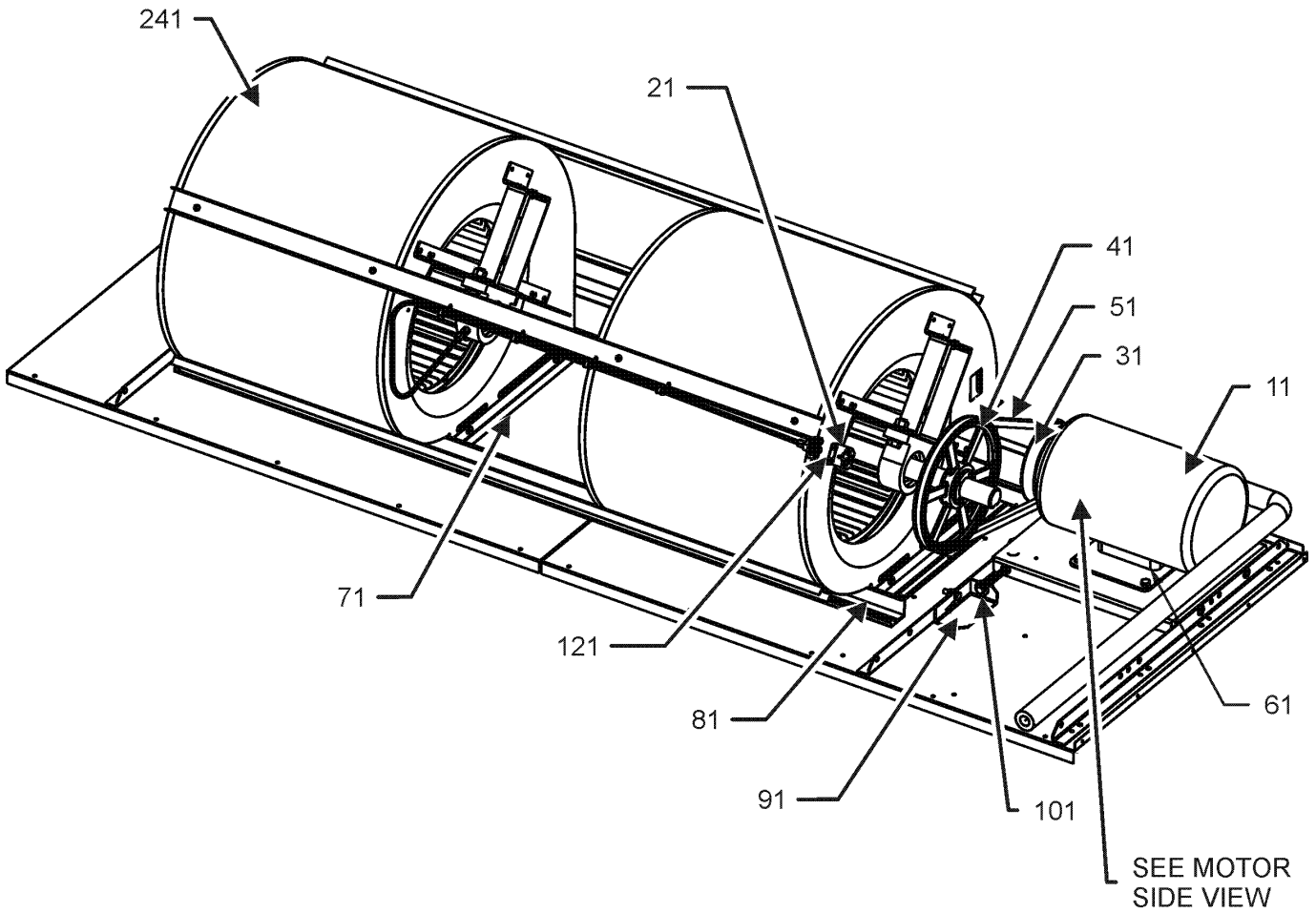
Tubing and Compressor Assembly



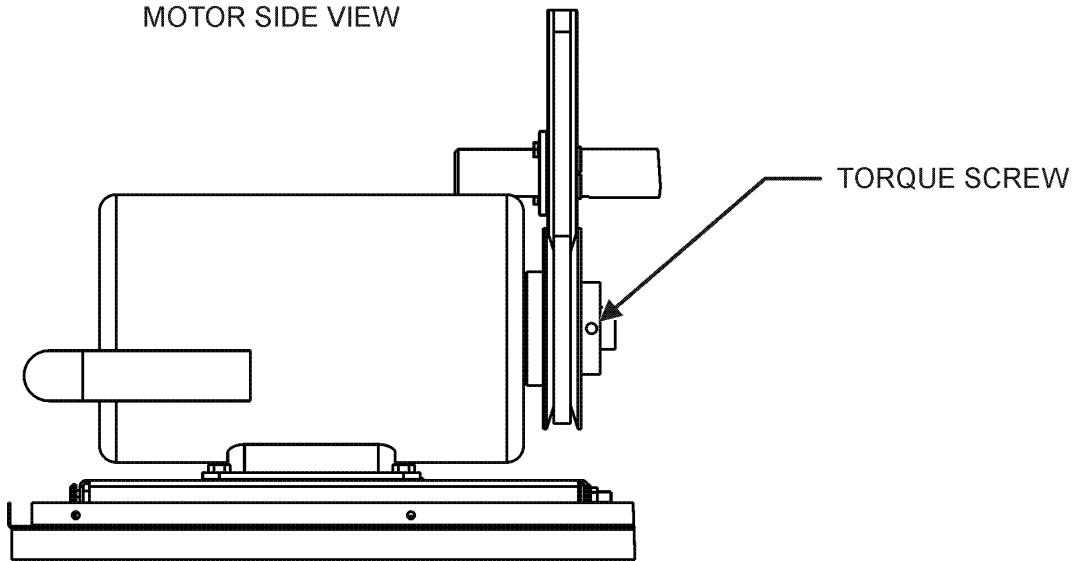
Tubing and Compressor Assembly

Ref. Part No: No:	Description:	Ref. Part No: No:	Description:
Image 1:		Expanded Model Nomenclature	
11	0121L00902	BASEPAN-OUTDOOR	M1 - DCG2404003BAXAAB
21	0121L00947	BASEPAN-RETURN	M2 - DCG2404003BAXXAB
31	0121L00948	BASEPAN-SUPPLY	M3 - DCG2404003BBXXAB
41	0130M00074	CUT-OUT SWITCH, HIGH PRESSURE	M4 - DCG2404003BJXGAB
51	0130M00087	CUT-OUT SWITCH, LOW PRESSURE	M5 - DCG2404003BJXUAB
61	0151M00012	BI-FLOW FILTER DRIER	M6 - DCG2404003BXXDAB
61	0151M00012	BI-FLOW FILTER DRIER	M7 - DCG2404003BXXAC
71	0151L00011	VALVE, TXV R-410A (QTY 2)	M8 - DCG2404004BAXXAC
81	ZP122KCETFD155	COMP, 124000, 460/60/3 (M8, M9, M10, M11, M12, M13, M14, M15, M16, M17, M18, M19, M20, M21, M22, M23, M24, M25, M26, M27)	M9 - DCG2404004BBXXAC
81	ZP122KCETFE155	COMP, 124000, 575/60/3 (M28, M29, M30)	M10 - DCG2404004BFXAC
81	ZP122KCETF5250	COMP,124000, 200/230/60/3 (M1, M2, M3, M4, M5, M6, M7)	M11 - DCG2404004BHDGAC
91	0121L00720	SIDE RAIL	M12 - DCG2404004BHDJAC
101	0121L00719	CONTROL SIDE BASE RAIL	M13 - DCG2404004BHSAAC
111	0159L00048	COMPRESSOR SCROLL HARNESS (M1, M2, M3, M4, M5, M6, M7)	M14 - DCG2404004BHXDAC
111	0159L00049	COMPRESSOR SCROLL HARNESS (M1, M2, M3, M4, M5, M6, M7)	M15 - DCG2404004BHXXAC
111	0159L00072	COMPRESSOR SCROLL HARNESS (M8, M9, M10, M11, M12, M13, M14, M15, M16, M17, M18, M19, M20, M21, M22, M23, M24, M25, M26, M27, M28, M29, M30)	M16 - DCG2404004BJXBAC
111	0159L00073	COMPRESSOR SCROLL HARNESS (M8, M9, M10, M11, M12, M13, M14, M15, M16, M17, M18, M19, M20, M21, M22, M23, M24, M25, M26, M27, M28, M29, M30)	M17 - DCG2404004BJXFAC
121	0130L00019	CRANK CASE HEATER, 70W, 575V (M28, M29, M30)	M18 - DCG2404004BJXGAC
121	0130L00017	CRANK CASE HEATER-70W 240V (M1, M2, M3, M4, M5, M6, M7)	M19 - DCG2404004BJXJAC
121	0130L00018	CRANK CASE HEATER-70W, 480V (M8, M9, M10, M11, M12, M13, M14, M15, M16, M17, M18, M19, M20, M21, M22, M23, M24, M25, M26, M27)	M20 - DCG2404004BJXRAC
131	0164M00018	COMPRESSOR GROMMET (QTY 8)	M21 - DCG2404004BRXDAC
141	B1393740	COMPRESSOR BOLT & SLEEVE (QTY 8)	M22 - DCG2404004BVSXAC
151	0121L00721	BASE RAIL, CONDENSER END (QTY 2)	M23 - DCG2404004BVXXAC
161	0121L00722	BASE RAIL, ACCESSORY END	M24 - DCG2404004BWXHAC
201	0121L00616	RAIL BRACE ANGLE, RIGHT (QTY 4)	M25 - DCG2404004BXXBAC
211	0121L00617	RAIL BRACE ANGLE, LEFT (QTY 4)	M26 - DCG2404004BXXDAC
221	0121L00723	BASE RAIL CORNER BRACE (QTY 4)	M27 - DCG2404004BXXXAD
241	0130M00074	HIGH PRESSURE SWITCH	M28 - DCG2404007BAXXAC
251	0130M00087	LOW PRESSURE SWITCH	M29 - DCG2404007BBXXAC
NS	0163M00175	CAP WITH O-RING (QTY 4)	M30 - DCG2404007BXSXAC
NS	0121L00625	COMPRESSOR RAIL BRACKET (QTY 4)	
NS	0141L00029	FORK BOARD (QTY 2)	
NS	0121L00724	FORK BOARD BRACKET (QTY 4)	
NS	0121L00605	FORK BOARD PLATE	

Blower Assembly



MOTOR SIDE VIEW



Blower Assembly

Ref. Part No: No:	Description:	Ref. Part No: No:	Description:
-------------------	--------------	-------------------	--------------

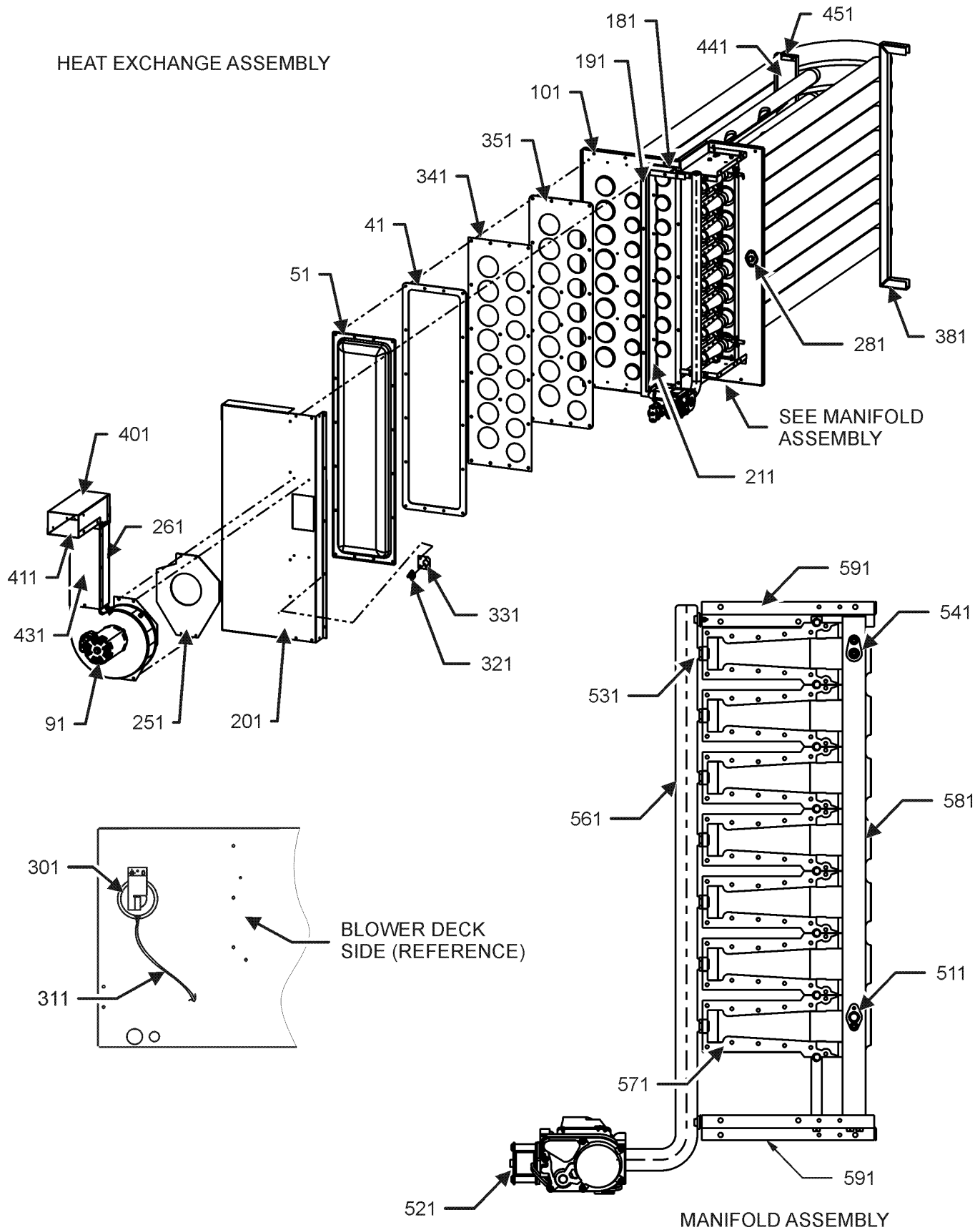
Image 1:

11	0131M00274	COND MOTOR 5.0 HP (M1, M2, M3, M4, M5, M6, M7, M8, M9, M10, M11, M12, M13, M14, M15, M16, M17, M18, M19, M20, M21, M22, M23, M24, M25, M26, M27)
11	0131L00007	MOTOR-5 HP BELT DRIVE 575V 3P (M28, M29, M30)
21	0130M00064	LIMIT
31	0163L00037	VARIABLE PITCH SHEAVE
41	0163L00139	SHEAVE, FIXED BK100H
51	0164L00006	FAN BELT, NOTCHED
61	0121L01430	BASE, MOTOR
71	0121L00482	BLOWER SIDE ANGLE (QTY 4)
81	0121L00479	BLOWER RAIL (QTY 2)
91	0121L01429	BRACKET, DRIVE SCREW
101	0163M00351	BOLT, 3/8-16-6
121	0121L00594	SECONDARY LIMIT BRACKET
241	0271L00027	150-15R BD 1.44 TWIN BLOWER

Expanded Model Nomenclature

- M1 - DCG2404003BAXAAB
- M2 - DCG2404003BAXXAB
- M3 - DCG2404003BBXXAB
- M4 - DCG2404003BJXGAB
- M5 - DCG2404003BJXUAB
- M6 - DCG2404003BXXDAB
- M7 - DCG2404003BXXXAC
- M8 - DCG2404004BAXXAC
- M9 - DCG2404004BBXXAC
- M10 - DCG2404004BFXXAC
- M11 - DCG2404004BHDGAC
- M12 - DCG2404004BHDJAC
- M13 - DCG2404004BHSAAC
- M14 - DCG2404004BHxDAC
- M15 - DCG2404004BHXXAC
- M16 - DCG2404004BJXBAC
- M17 - DCG2404004BJXFAC
- M18 - DCG2404004BJXGAC
- M19 - DCG2404004BJXJAC
- M20 - DCG2404004BJXRAC
- M21 - DCG2404004BRxDAC
- M22 - DCG2404004BVSXAC
- M23 - DCG2404004BVXXAC
- M24 - DCG2404004BWXHAC
- M25 - DCG2404004BXXBAC
- M26 - DCG2404004BXXDAC
- M27 - DCG2404004BXXXAD
- M28 - DCG2404007BAXXAC
- M29 - DCG2404007BBXXAC
- M30 - DCG2404007BXSXAC

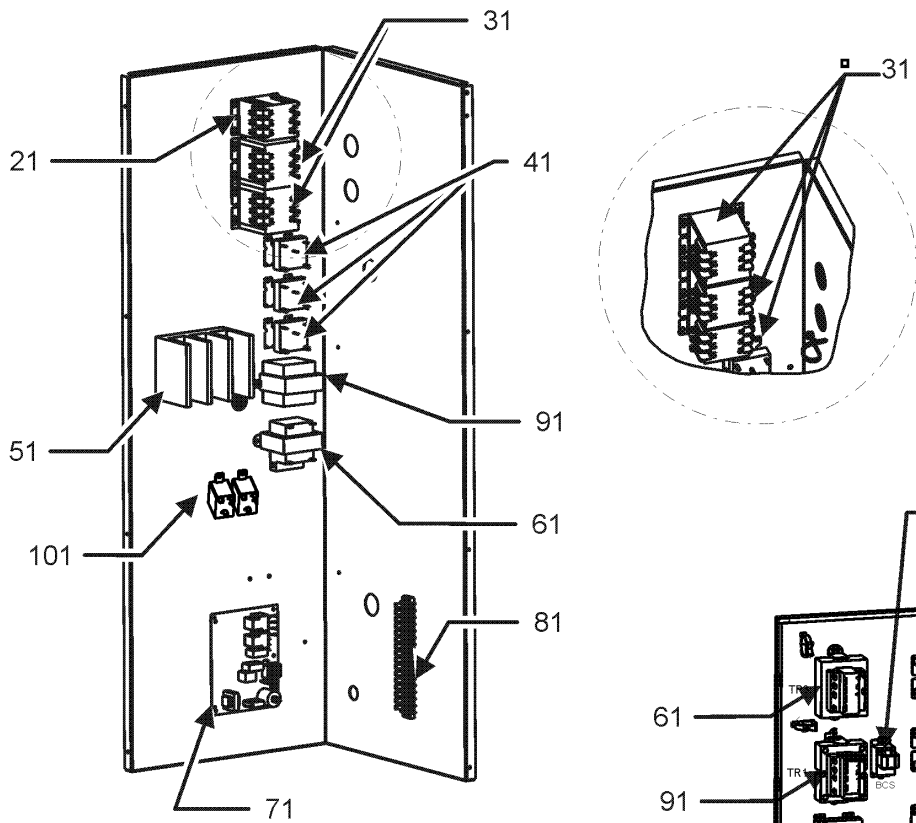
Heat Exchange Assembly



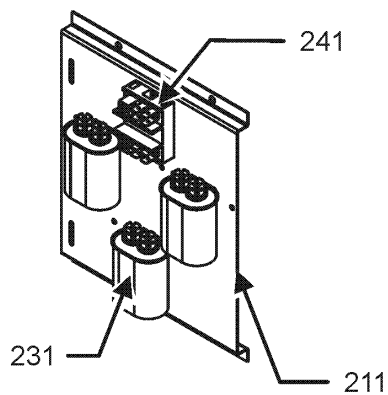
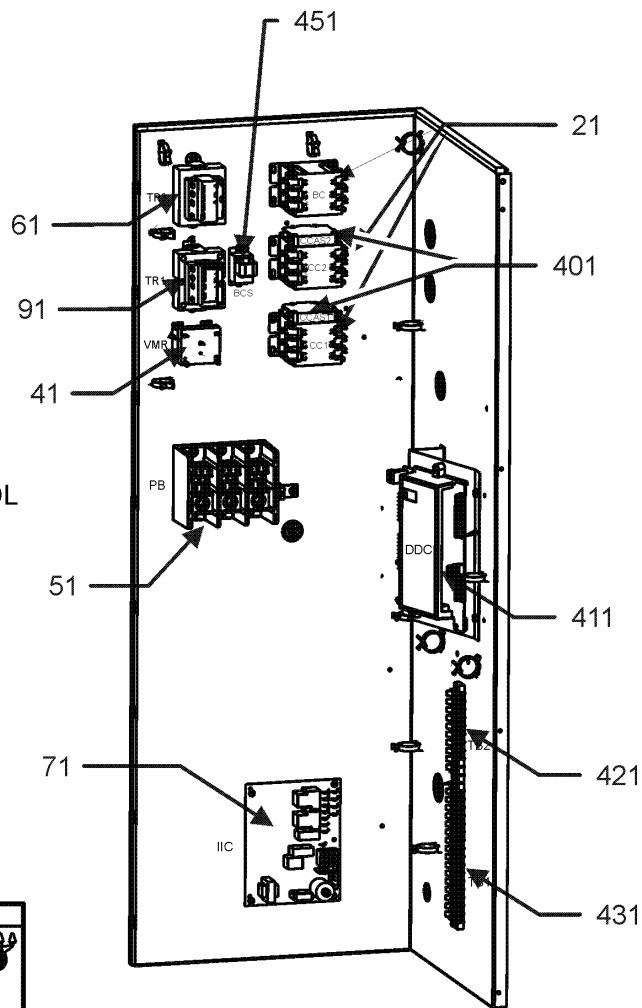
Heat Exchange Assembly

Ref. Part No: No:	Description:	Ref. Part No: No:	Description:
<i>Image 1:</i>		Expanded Model Nomenclature	
41	0154L00025 COVER GASKET	M1	- DCG2404003BAXAAB
51	0121L00545 COVER-REAR 8 TUBE	M2	- DCG2404003BAXXAB
91	0131L00014 VENT MOTOR	M3	- DCG2404003BBXXAB
101	0270L00186 PARTITION TUBE ASSY 8B (M1, M2, M3, M4, M5, M6, M7, M8, M9, M10, M11, M12, M14, M15, M16, M17, M18, M19, M20, M21, M23, M24, M25, M26, M27, M28, M29)	M4	- DCG2404003BJXGAB
101	0270L00221 PARTITION TUBE ASSY-8B SS (M13, M22, M30)	M5	- DCG2404003BJXUAB
181	0154L00026 INNER COLLECTOR BOX GASKET	M6	- DCG2404003BXXDAB
191	0154L00027 OUTER COLLECTOR BOX GASKET	M7	- DCG2404003BXXAC
201	0121L00550 COVER-COLLECTOR BOX 8	M8	- DCG2404004BAXXAC
211	0121L00546 CHANNEL-COLLECTOR BOX 8	M9	- DCG2404004BBXXAC
251	0154L00029 ID BLOWER GASKET	M10	- DCG2404004BFXAC
261	0121L00668 FLUE WRAPPER, BACK	M11	- DCG2404004BHDGAC
281	20162903 PRIMARY LIMIT - BLUE	M12	- DCG2404004BHDJAC
301	11112501 PRESSURE SWITCH	M13	- DCG2404004BHSAAC
311	A3468601 PRESSURE SWITCH HOSE	M14	- DCG2404004BHXDAC
321	10123529 MANUAL RESET LIMIT-GREEN	M15	- DCG2404004BHXXAC
331	0121L00053 FLAME ROLLOUT BRACKET	M16	- DCG2404004BJXBAC
341	0121L00548 PLATE-TUBE PANEL 8	M17	- DCG2404004BJXFAC
351	0154L00028 TUBE PANEL GASKET	M18	- DCG2404004BJXGAC
381	0121L00930 SUPPORT-HEAT TUBES 2.25	M19	- DCG2404004BJXJAC
401	0121L00670 FLUE WRAPPER EXIT (M13, M22, M30)	M20	- DCG2404004BJXRAC
401	0121L02100 FLUE-EXIT WRAPPER (M1, M2, M3, M4, M5, M6, M7, M8, M9, M10, M11, M12, M14, M15, M16, M17, M18, M19, M20, M21, M23, M24, M25, M26, M27, M28, M29)	M21	- DCG2404004BRXDAC
411	0121L00671 FLUE COVER EXIT	M22	- DCG2404004BVSXAC
431	0121L00669 FLUE COVER, FRONT	M23	- DCG2404004BVXXAC
441	0121L00808 SUPPORT-HEAT TUBES 2.25	M24	- DCG2404004BWXHAC
451	0121L00823 BRACKET-TUBE SUPPORT (QTY 2)	M25	- DCG2404004BXXBAC
511	20261709 IGNITOR	M26	- DCG2404004BXXDAC
521	0151M00015 VALVE, GAS (HW) VR83	M27	- DCG2404004BXXXAD
531	0163L00014 ORIFICE (QTY 8)	M28	- DCG2404007BAXXAC
541	0130F00010 FLAME SENSOR	M29	- DCG2404007BBXXAC
561	0163L00033 MANIFOLD-GAS 8 BURNER	M30	- DCG2404007BXSXAC
571	0163L00000 BECKETT BURNER (QTY 8)		
581	0121L00635 BRACKET-8 BURNERS		
591	0121G00268 BRACKET-BURNER TOP/BOT (QTY 2)		
NS	0163L00040 FLUE SCREEN		

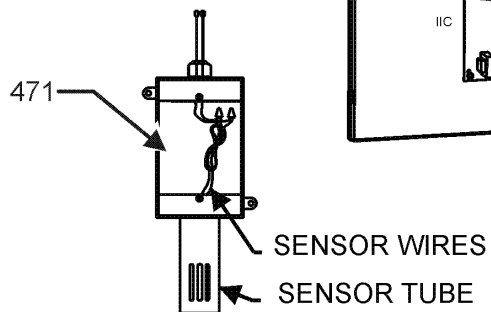
Control Panel Assembly



CONTROL BOX FOR MODELS WITH DDC CONTROL



CAPACITOR ASSEMBLY



FRONT VIEW

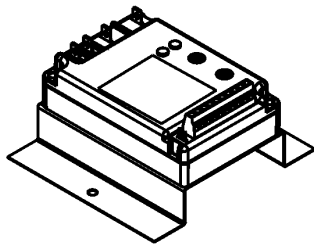
Control Panel Assembly

Ref. Part No: No:	Description:	Ref. Part No: No:	Description:
Image 1:		Image 1:	
21	CONT3P030024V CONTACTOR 30 AMP, 3P, 24V (M1, M2, M4, M5, M6, M7, M8, M9, M10, M11, M12, M13, M14, M15, M16, M17, M18, M19, M20, M21, M22, M23, M24, M25, M26, M27, M28, M29, M30)	NS 0259L00395	HARN, TR1 PWR CNTL (M3, M9, M10, M21, M29)
21	CONT3P040024V CONTACTOR 40 AMP, 3P, 24V (M3)	NS 0259L00585	HARN,COMP2-CCH-HPS-LPS (M3, M9, M10, M21, M29)
31	CONT3P050024V CONTACTOR 50 AMP, 3P, 24V (M1, M2, M4, M5, M6, M7)	NS 0259L00134	HARNNESS, 12 PIN GAS
41	0130M00025 24V RELAY (QTY 3)	NS 0259L00135	HARNNESS, CONTROL GAS
51	0130M00042 BLOCK, POWER (M1, M2, M3, M4, M5, M6, M7, M9, M10, M21, M29)	NS 0259L00164	HARNNESS, ECONOMIZER AC
61	0130M00144 TRANSFORMER (M1, M2, M3, M4, M5, M6, M7)	NS 0159L00052	HARNNESS, JUMPER LONG (M1, M2, M3, M4, M5, M6, M7)
61	0130M00145 TRANSFORMER 480V to 24V, 75VA (M8, M9, M10, M11, M12, M13, M14, M15, M16, M17, M18, M19, M20, M21, M22, M23, M24, M25, M26, M27)	NS 0159L00051	HARNNESS, JUMPER SHORT (M1, M2, M3, M4, M5, M6, M7)
61	0130M00148 TRANSFORMER 575V to 24V, 75VA (M28, M29, M30)	NS 0259L00101	MOTOR HARNNESS-BELT DRIVE
71	PCBAG123 IGNITION BOARD, DSI INTEGRATED	NS 0130L00107	ROOM SENSOR (M3, M9, M10, M21, M29)
81	0130M00038 TERMINAL BOARD (M1, M2, M4, M5, M6, M7, M8, M11, M12, M13, M14, M15, M16, M17, M18, M19, M20, M22, M23, M24, M25, M26, M27, M28, M30)	NS 0259L00136	WIRE HARNNESS ASSY
91	0130M00146 TRANSFORMER 480V TO 230V, 150VA (M8, M9, M10, M11, M12, M13, M14, M15, M16, M17, M18, M19, M20, M21, M22, M23, M24, M25, M26, M27)	Expanded Model Nomenclature	
91	0130M00147 TRANSFORMER 575V TO 230V, 150VA (M28, M29, M30)	M1 - DCG2404003BAXAAB	
101	0130M00242 RELAY, 24V (QTY 2)	M2 - DCG2404003BAXXAB	
211	0121L00585 CAPACITOR MOUNTING PLATE	M3 - DCG2404003BBXXAB	
231	CAP100000370LA CAPACITOR 10/370V (M1, M2, M3, M4, M5, M6, M7, M8, M9, M10, M11, M12, M13, M14, M15, M16, M17, M18, M19, M20, M21, M22, M23, M24, M25, M26, M27)	M4 - DCG2404003BJXGAB	
231	CAP050000440LA CAPACITOR 5/440V (M28, M29, M30)	M5 - DCG2404003BJXUAB	
241	B1368250 TERMINAL BLOCK (HIGH VOLTAGE)	M6 - DCG2404003BXXDAB	
401	0130M00249 AUXILLARY SWITCH (M3, M9, M10, M21, M29)	M7 - DCG2404003BXXXAC	
411	PCBCG100 DDC Controller (M3, M9, M10, M21, M29)	M8 - DCG2404004BAXXAC	
421	0130M00274 TERMINAL BOARD (M3, M9, M10, M21, M29)	M9 - DCG2404004BBXXAC	
431	0130M00275 TERMINAL BOARD (M3, M9, M10, M21, M29)	M10 - DCG2404004BFXAC	
451	0259L00368 CURRENT SWITCH WITH TERMS (M3, M9, M10, M21, M29)	M11 - DCG2404004BHDGAC	
471	0130L00108 OD Air Temp Sensor (M3, M9, M10, M21, M29)	M12 - DCG2404004BHDJAC	
NS 0121L00586	CAPACITOR COVER	M13 - DCG2404004BHSAAC	
NS 20520901	CAPACITOR STRAP (QTY 3)	M14 - DCG2404004BHXDAC	
NS 0259L00118	CONDENSER FAN HARNNESS, LONG	M15 - DCG2404004BHXXAC	
NS 0259L00117	CONDENSER FAN HARNNESS, MEDIUM	M16 - DCG2404004BJXBAC	
NS 0259L00116	CONDENSER FAN HARNNESS, SHORT	M17 - DCG2404004BJXFAC	
NS 0130L00112	Duct Temp Sensor (M3, M9, M10, M21, M29)	M18 - DCG2404004BJXGAC	
NS 0259L00398	HARN, COMP1-CCH-HPS-LPS (M3, M9, M10, M21, M29)	M19 - DCG2404004BJXJAC	
NS 0259L00392	HARN, DCC 10 PIN CONN (M3, M9, M10, M21, M29)	M20 - DCG2404004BJXRAC	
NS 0259L00393	HARN, DDC 12 PIN CONN (M3, M9, M10, M21, M29)	M21 - DCG2404004BRXDAC	
NS 0259L00389	HARN, DDC 2 PIN CONN (M3, M9, M10, M21, M29)	M22 - DCG2404004BVSXAC	
NS 0259L00390	HARN, DDC 6 PIN CONN (M3, M9, M10, M21, M29)	M23 - DCG2404004BVXXAC	
NS 0259L00391	HARN, DDC 8 PIN CONN (M3, M9, M10, M21, M29)	M24 - DCG2404004BWXHAC	
NS 0259L00394	HARN, IIC (M3, M9, M10, M21, M29)	M25 - DCG2404004BXXBAC	
NS 0259L00559	HARN, PWR PB-CC1, CC2 (M3, M9, M10, M21, M29)	M26 - DCG2404004BXXDAC	
		M27 - DCG2404004BXXXAD	
		M28 - DCG2404007BAXXAC	
		M29 - DCG2404007BBXXAC	
		M30 - DCG2404007BXSXAC	

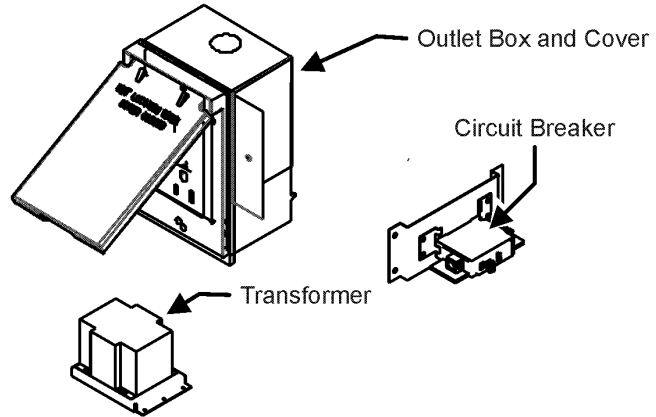
ACCESSORY PARTS LIST

NOTE: NOT ALL OPTIONS AVAILABLE FOR ALL PRODUCTS

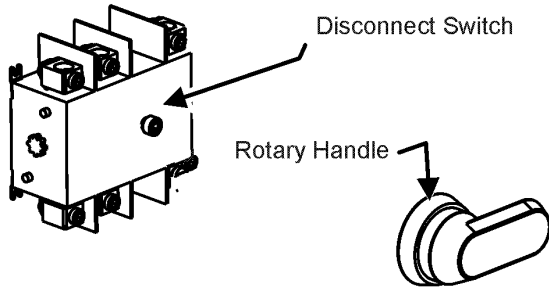
1 LOW AMBIENT KITS



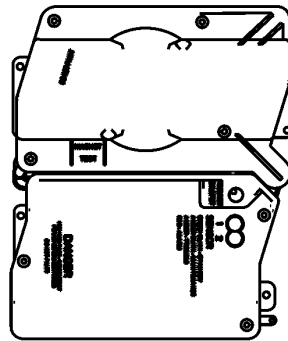
2 GFCI CONVENIENCE OUTLET



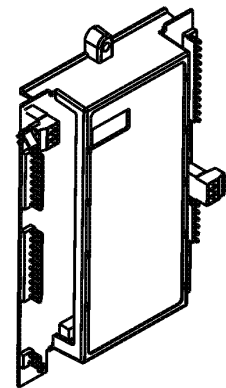
3 DISCONNECT MODULE (NON-FUSED)



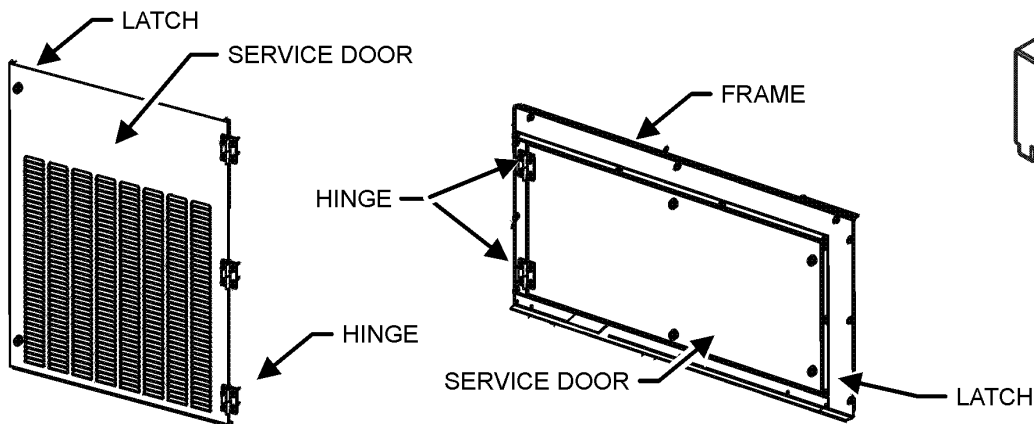
4 SMOKE DETECTORS



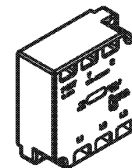
5 DDC CONTROL



6 HINGED DOOR ASSEMBLIES



7 PHASE MONITOR



Accessory Parts

Ref. Part No:	Description:	Ref. Part No:	Description:
Image 1:		Expanded Model Nomenclature	
NS 1036611B	15-25 TON DFLOW ECONOMIZER (M1, M2, M4, M5, M8, M16, M17, M18, M19, M20, M28)	M1 - DCG2404003BAXAAB	
NS DDNECNJ180300B	15-25 TON DFLOW ECONOMIZER (M22, M23, M24)	M2 - DCG2404003BAXXAB	
NS 10366D11B	15-25T DFLOW ECON, DDC (M10, M21)	M3 - DCG2404003BBXXAB	
NS 0121L00316	BRACKET-CONV OUTLET MOUNT (M1, M4, M5, M11, M12, M13, M16, M17, M18, M19, M20, M24, M25)	M4 - DCG2404003BJXGAB	
NS 0121L00855	BRACKET-DISCONNECT SWITCH (M4, M5, M11, M12, M13, M14, M15, M16, M17, M18, M19, M20, M21, M24)	M5 - DCG2404003BJXUAB	
NS 0121L01053	BRACKET-SMOKE DETECTOR (M4, M5, M6, M11, M12, M14, M18, M19, M20, M21, M24, M26)	M6 - DCG2404003BXXDAB	
NS 0130M00065	CIRCUIT BREAKER, CONVENIENCE OUTLET (M16, M20, M25)	M7 - DCG2404003BXXAC	
NS 0121L01603NG	CONTROL DOOR (M11, M12)	M8 - DCG2404004BAXXAC	
NS 0121L00839NG	DISCONNECT COVER (M4, M5, M11, M12, M13, M14, M15, M16, M17, M18, M19, M20, M21, M24)	M9 - DCG2404004BBXXAC	
NS 0121L01601NG	FILTER DOOR (M11, M12)	M10 - DCG2404004BFXXAC	
NS 0130L00012	GANG BOX-GFCI OUTLET (M1, M4, M5, M11, M12, M13, M16, M17, M18, M19, M20, M24, M25)	M11 - DCG2404004BHDGAC	
NS 0130L00039	HANDLE, ROTARY (M4, M5, M11, M12, M13, M14, M15, M16, M17, M18, M19, M20, M21, M24)	M12 - DCG2404004BHDJAC	
NS 0163M00307	HINGE, LEFT HAND (M11, M12)	M13 - DCG2404004BHSAAC	
NS 0163M00360	LATCH (M11, M12)	M14 - DCG2404004BHxDAC	
NS LAKT03	LOW AMBIENT KIT (M5, M17, M20)	M15 - DCG2404004BHXXAC	
NS 0121L01486NG	PNT, SERVICE DOOR BACK BLOWER (M11, M12)	M16 - DCG2404004BJXBAC	
NS 0121L01485NG	PNT, SERVICE DOOR FRONT BLOWER (M11, M12)	M17 - DCG2404004BJXFAC	
NS 0161G00012	POWER OUTLET BOX (M1, M4, M5, M11, M12, M13, M16, M17, M18, M19, M20, M24, M25)	M18 - DCG2404004BJXGAC	
NS 0130L00103	RECEPTACLE-GFCI OUTLET (M1, M4, M5, M11, M12, M13, M16, M17, M18, M19, M20, M24, M25)	M19 - DCG2404004BJXJAC	
NS 0121L01484NG	SERVICE DOOR FRAME, BLOWER (M11, M12)	M20 - DCG2404004BJXRAC	
NS 0130L00043	SHAFT, CUT (M4, M5)	M21 - DCG2404004BRXDAC	
NS 0130L00058	SHAFT, CUT (M20)	M22 - DCG2404004BVSXAC	
NS 0130L00059	SHAFT, CUT (M11, M12, M13, M14, M15, M16, M17, M18, M19, M21, M24)	M23 - DCG2404004BVXXAC	
NS 0130L00049	SHAFT, DISCONNECT (M4, M5, M11, M12, M13, M14, M15, M16, M17, M18, M19, M20, M21, M24)	M24 - DCG2404004BWXHAC	
NS D4120	SMOKE DETECTOR, PHOTO 4WIRE (M4, M5, M6, M11, M12, M14, M18, M19, M20, M21, M24, M26)	M25 - DCG2404004BXXBAC	
NS D4S	SMOKE DETECTOR, SENSOR ONLY (M12, M19)	M26 - DCG2404004BXXDAC	
NS 0130L00027	SWITCH-DISCONNECT 100A (M20)	M27 - DCG2404004BXXXAD	
NS 0130L00033	SWITCH-DISCONNECT 200A (M4, M5)	M28 - DCG2404007BAXXAC	
NS 0130L00046	SWITCH-DISCONNECT 60A (M11, M12, M13, M14, M15, M16, M17, M18, M19, M21, M24)	M29 - DCG2404007BBXXAC	
NS 0130M00061	TRANSFORMER, CONVENIENCE OUTLET (M16, M20, M25)	M30 - DCG2404007BXSXAC	