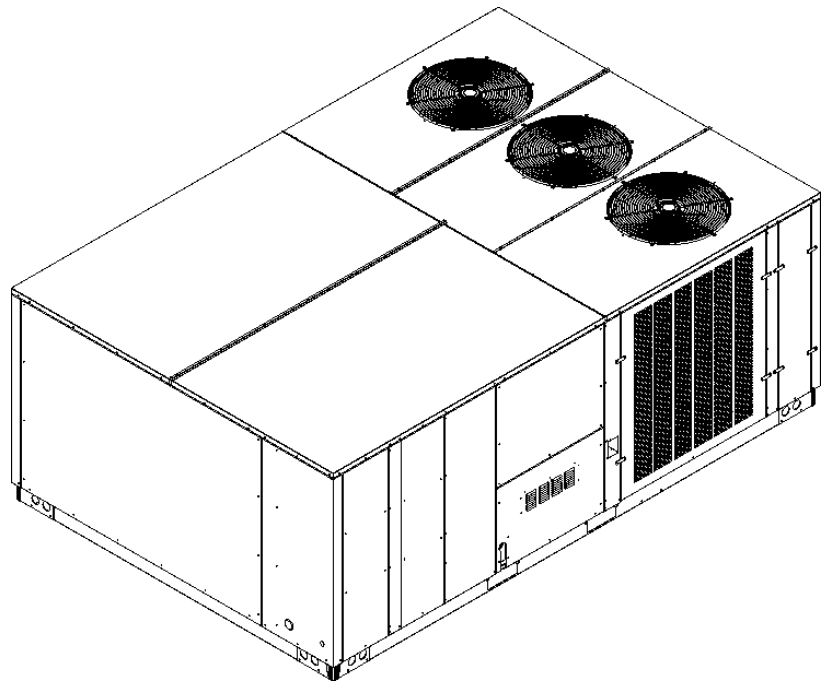


Commercial 20 Ton Package Gas Unit

DCG2404004BJXRAB
DCG2404003BAXAAA
DCG2404003BAXXAA
DCG2404003BHXBAA
DCG2404003BHXBAB
DCG2404003BJXAAA
DCG2404003BJXAAB
DCG2404003BJXNAA
DCG2404003BJXNAB
DCG2404003BXSDAA
DCG2404003BXSDAB
DCG2404003BXSXAA
DCG2404003BXSXAB
DCG2404003BXXBAA
DCG2404003BXXBAB
DCG2404003BXXXAA
DCG2404003BXXXAB
DCG2404004BAXXAB
DCG2404004BHXDAB
DCG2404004BHXNAB
DCG2404004BHXXAB
DCG2404004BJXGAB
DCG2404004BJXOAB
DCG2404004BXXQAB
DCG2404004BXXXAA
DCG2404004BXXXAB
DCG2404004BXXXAC
DCG2404004BXXZAC
DCG2404007BXXXAA
DCG2404007BXXXAB



This manual is to be used by qualified technicians only.

This manual replaces RP-D1013L.

Important Information

Index

Functional Parts List	3
Illustration and Parts	4 - 19

Views shown are for parts illustrations only, not servicing procedures

Text Codes:

AR - As Required

NA - Not Available

NS - Not Shown

00000000 - See Note

QTY - Quantity Example (QTY 3) (If Quantity not shown, Quantity = 1)

M - Model Example (M1) (If M Code not shown, then part is used on all Models)

Expanded Model Nomenclature:

Example M1 - Model#1 M2 - Model#2 M3 - Model#3

Daikin Company, L.P. is not responsible for personal injury or property damage resulting from improper service. Review all service information before beginning repairs.

Warranty service must be performed by an authorized technician, using authorized factory parts. If service is required after the warranty expires, Daikin Company, L.P. also recommends contacting an authorized technician and using authorized factory parts.

Daikin Company, L.P. reserves the right to discontinue, or change at any time, specifications or designs without notice or without incurring obligations.

For assistance within the U.S.A. contact:

Homeowner Support
Daikin North America, LLC
19001 Kermier Road
Waller, Texas 77484
855-770-5678-Telephone
713-863-2382-Facsimile

For assistance outside the U.S.A. contact:

International Division
Daikin North America, LLC
19001 Kermier Road
Waller, Texas 77484
713-861-2500-Telephone
713-863-2382-Facsimile

Functional Parts

Part

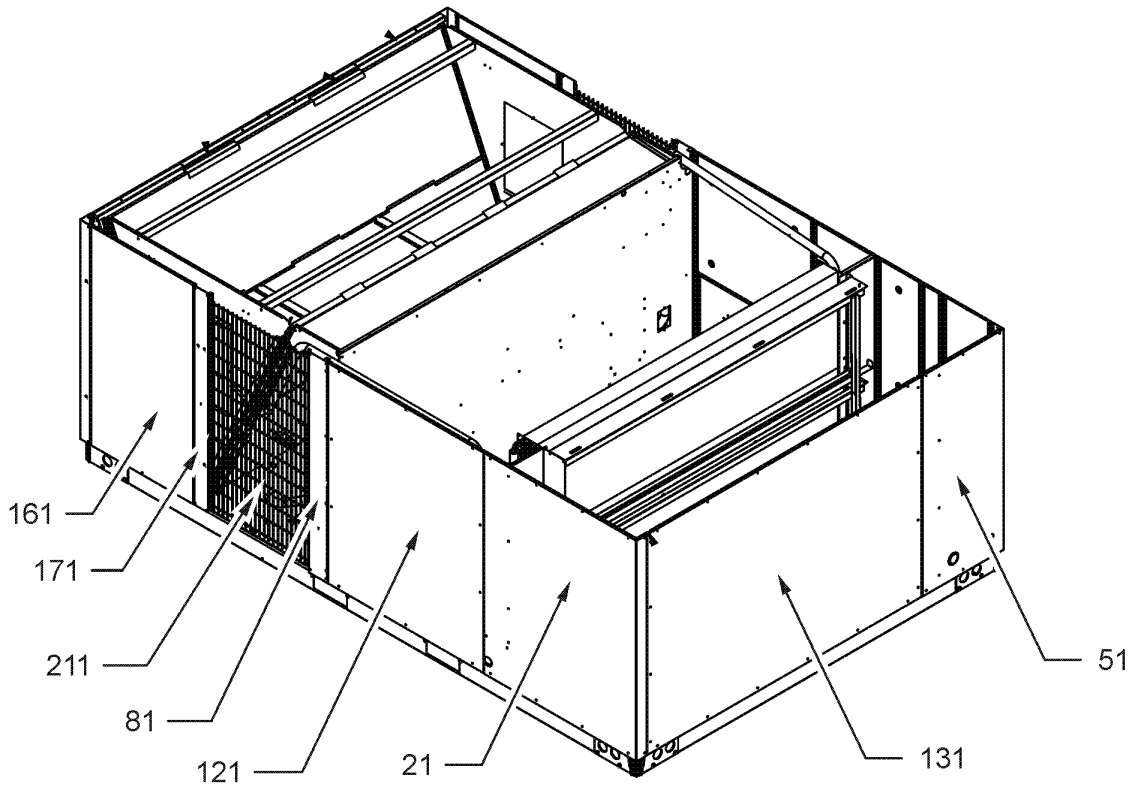
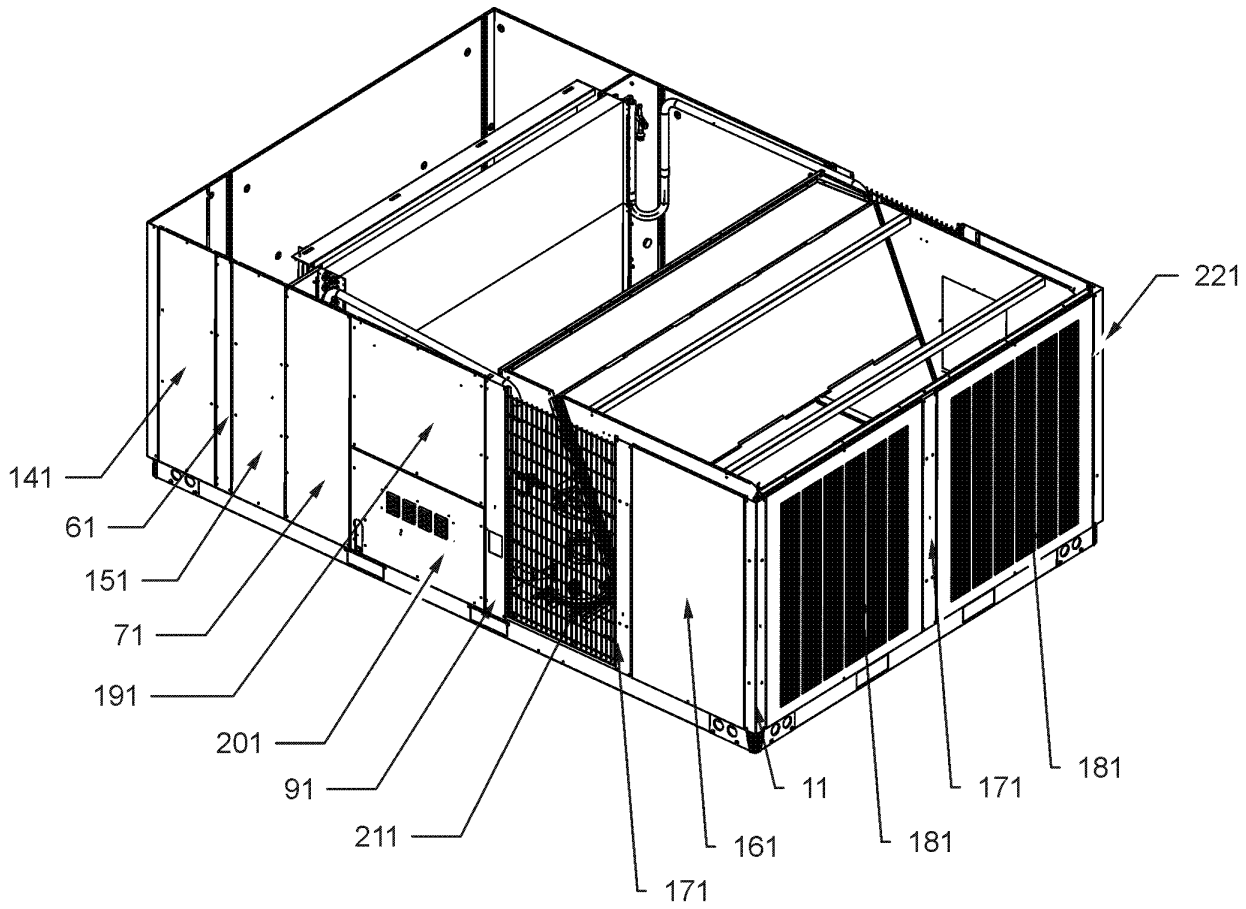
No: Description:

Part No:	Description:	Part No:	Description:
0271L00027	150-15R BD 1.44 TWIN BLOWER	0130M00144	TRANSFORMER (M1, M2, M3, M4, M5, M6, M7, M8, M9, M10, M11, M12, M13, M14, M15, M16)
0130M00025	24V RELAY (QTY 3)	0130M00146	TRANSFORMER 480V TO 230V, 150VA (M17, M18, M19, M20, M21, M22, M23, M24, M25, M26, M27, M28)
0163L00000	BECKETT BURNER (QTY 8)	0130M00145	TRANSFORMER 480V to 24V, 75VA (M17, M18, M19, M20, M21, M22, M23, M24, M25, M26, M27, M28)
CAP100000370LA	CAPACITOR 10/370V (M1, M2, M3, M4, M5, M6, M7, M8, M9, M10, M11, M12, M13, M14, M15, M16, M17, M18, M19, M20, M21, M22, M23, M24, M26, M27, M28)	0130M00147	TRANSFORMER 575V TO 230V, 150VA (M29, M30)
CAP050000370LA	CAPACITOR 5/370V (M25, M29)	0130M00148	TRANSFORMER 575V to 24V, 75VA (M29, M30)
CAP050000440LA	CAPACITOR 5/440V (M30)	0151M00015	VALVE, GAS (HW) VR83
ZP122KCETFD155	COMP, 124000, 460/60/3 (M27, M28)	0151L00011	VALVE, TXV R-410A (QTY 8)
ZP122KCETF5250	COMP, 124000, 200/230/60/3 (M4, M6, M8, M10, M12, M14, M16)		
ZP120KCETFE155	COMPRESSOR 121,000, 575/60/3 (M29, M30)		
ZP120KCETF5250	COMPRESSOR 123,000, 200/230/60/3 (M1, M2, M3, M5, M7, M9, M11, M13, M15)		
ZP120KCETFD155	COMPRESSOR 123,000, 460/60/3 (M17, M18, M19, M20, M21, M22, M23, M24, M25, M26)		
0131M00430	COND MOTOR 1/3 HP, 1 SP, 6 PL (M1, M2, M3, M4, M5, M6, M7, M8, M9, M10, M11, M12, M13, M14, M15, M16)		
B13400249	COND MOTOR 1/3 HP, 460V (M25)		
0131M00179	COND MOTOR 1/3 HP, 6 PL, 575V (M29)		
0131M00500	COND MOTOR 1/3 HP, OD, LAK (M30)		
0131M00274	COND MOTOR 5.0 HP (M1, M2, M3, M4, M5, M6, M7, M8, M9, M10, M11, M12, M13, M14, M15, M16, M17, M18, M19, M20, M21, M22, M23, M24, M25, M26, M27, M28)		
CONT3P030024V	CONTACTOR 30 AMP, 3P, 24V		
CONT3P050024V	CONTACTOR 50 AMP, 3P, 24V (M1, M2, M3, M4, M5, M6, M7, M8, M9, M10, M11, M12, M13, M14, M15, M16)		
0130L00020	CRANK CASE HEATER, 90W, 240V (M1, M2, M3, M5, M7, M9, M11, M13, M15)		
0130L00021	CRANK CASE HEATER, 90W, 480V (M17, M18, M19, M20, M21, M22, M23, M24, M25, M26)		
0130L00022	CRANK CASE HEATER, 90W, 575V (M29, M30)		
0130L00017	CRANK CASE HEATER-70W 240V (M4, M6, M8, M10, M12, M14, M16)		
0130L00018	CRANK CASE HEATER-70W, 480V (M27, M28)		
0164L00006	FAN BELT, NOTCHED (M1, M2, M3, M4, M5, M6, M7, M8, M9, M10, M11, M12, M13, M14, M15, M16, M17, M18, M19, M20, M21, M22, M23, M24, M26, M27, M28, M29, M30)		
10625733	FAN BLADE 22" ALUM CCW (QTY 3)		
0130F00010	FLAME SENSOR		
0130M00074	HIGH PRESSURE SWITCH		
PCBAG123	IGNITION BOARD, DSI INTEGRATED		
20261709	IGNITOR		
0130M00064	LIMIT		
0130M00087	LOW PRESSURE SWITCH		
10123529	MANUAL RESET LIMIT-GREEN		
0131M00774	MOTOR, 1/3 HP, OD (M17, M18, M19, M20, M21, M22, M23, M24, M26, M27, M28)		
0131L00007	MOTOR-5 HP BELT DRIVE 575V 3P (M29, M30)		
0164L00005	NOTCHED FAN BELT BX46 (M25)		
11112501	PRESSURE SWITCH		
20162903	PRIMARY LIMIT - BLUE		
0130M00038	TERMINAL BOARD		

Expanded Model Nomenclature

M1 - DCG2404003BAXAAA
M2 - DCG2404003BAXXAA
M3 - DCG2404003BHXBAA
M4 - DCG2404003BHXBAB
M5 - DCG2404003BJXAAA
M6 - DCG2404003BJXAAB
M7 - DCG2404003BJXNAA
M8 - DCG2404003BJXNAB
M9 - DCG2404003BXSDAA
M10 - DCG2404003BXSDAB
M11 - DCG2404003BXSXAA
M12 - DCG2404003BXSXAB
M13 - DCG2404003BXXBAA
M14 - DCG2404003BXXBAB
M15 - DCG2404003BXXXAA
M16 - DCG2404003BXXXAB
M17 - DCG2404004BAXXAB
M18 - DCG2404004BHxDAB
M19 - DCG2404004BHxNAB
M20 - DCG2404004BHxXAB
M21 - DCG2404004BJXGAB
M22 - DCG2404004BJXOAB
M23 - DCG2404004BJXRAB
M24 - DCG2404004BXXQAB
M25 - DCG2404004BXXXAA
M26 - DCG2404004BXXXAB
M27 - DCG2404004BXXXAC
M28 - DCG2404004BXXXZAC
M29 - DCG2404007BXXXAA
M30 - DCG2404007BXXXAB

Cabinet Assembly

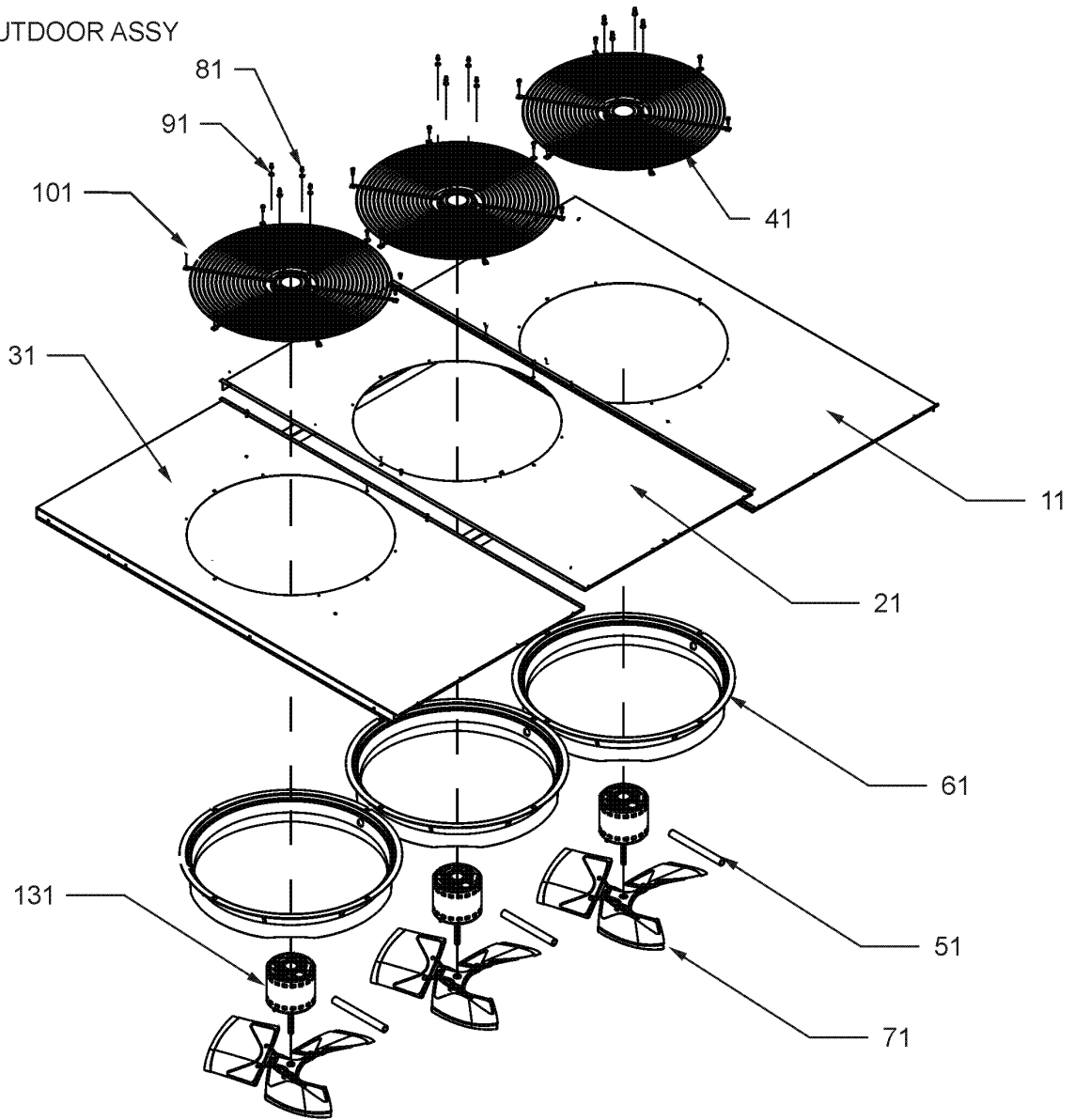


Cabinet Assembly

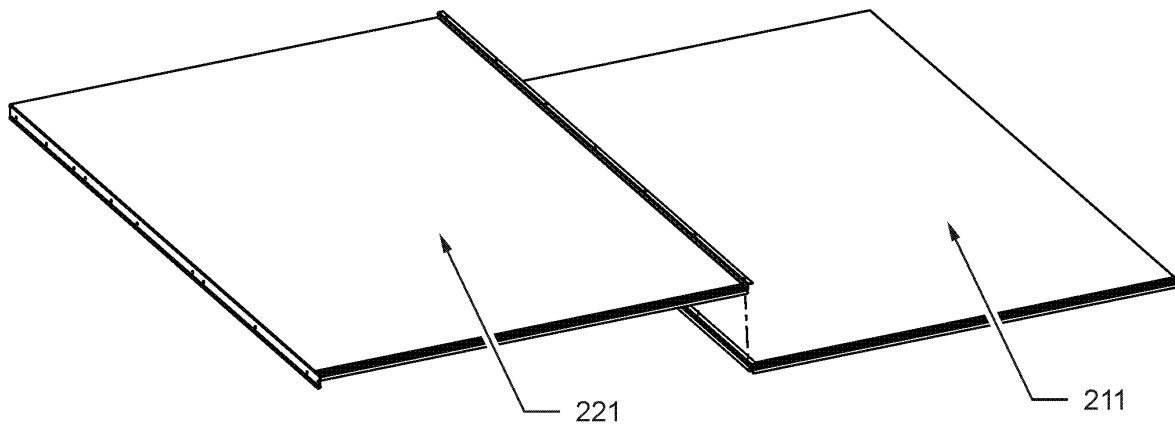
Ref. Part No:	Description:	Ref. Part No:	Description:
Image 1:		Expanded Model Nomenclature	
11	0121L00742NG CORNER POST (M1, M3, M4, M5, M6, M7, M8, M19, M21, M22, M23)	M1	- DCG2404003BAXAAA
11	0121L01143NG POST, CORNER	M2	- DCG2404003BAXXAA
21	0121L00681NG EVAP PANEL	M3	- DCG2404003BHXBAA
51	0121L00679NG CONTROL CORNER PANEL (M1, M2, M9, M10, M11, M12, M13, M14, M15, M16, M17, M24, M25, M26, M27, M28, M29, M30)	M4	- DCG2404003BHXBAB
51	0121L00800NG DUCT PANEL (M3, M4, M5, M6, M7, M8, M18, M19, M20, M21, M22, M23)	M5	- DCG2404003BJXAAA
61	0121L00673NG CONTROL/FILTER POST	M6	- DCG2404003BJXAAB
71	0121L00710NG POST/BLOWER DOOR	M7	- DCG2404003BJXNAA
81	0121L00903NG POST PARTITION-EVAP SIDE	M8	- DCG2404003BJXNAB
91	0121L00904NG POST PARTITION-GAS FLUE	M9	- DCG2404003BXSAAA
121	0121L00685NG BLOWER DOOR-EVAP SIDE	M10	- DCG2404003BXSADB
131	0121L00688NG ACCESSORY PANEL	M11	- DCG2404003BXSAAA
141	0121L00687NG CONTROL DOOR	M12	- DCG2404003BXSAB
151	0121L00686NG FILTER DOOR	M13	- DCG2404003BXXBAA
161	0121L00907NG PANEL-COND SIDE (QTY 2)	M14	- DCG2404003BXXBAB
171	0121L01144NG POST, COND PANEL (QTY 3)	M15	- DCG2404003BXXXAA
181	0121L01174NG PANEL-LOUVER, END (QTY 2)	M16	- DCG2404003BXXXAB
191	0121L00713NG BLOWER DOOR-GAS SIDE	M17	- DCG2404004BAXXAB
201	0121L00712NG BURNERS DOOR	M18	- DCG2404004BHXXDAB
211	0152L00000 GRILLE-CONDENSER (QTY 2)	M19	- DCG2404004BHXXNAB
221	0121L00476NG TURNBUCKLE DOOR (QTY 16)	M20	- DCG2404004BHXXAB
NS	0121L00562NG HOOD-COMBUSTION AIR	M21	- DCG2404004BJXGAB
NS	M0204317 SCREW-MACHINE (QTY 16)	M22	- DCG2404004BJXOAB
		M23	- DCG2404004BJXRAB
		M24	- DCG2404004BXXQAB
		M25	- DCG2404004BXXXAA
		M26	- DCG2404004BXXXAB
		M27	- DCG2404004BXXXAC
		M28	- DCG2404004BXXZAC
		M29	- DCG2404007BXXXAA
		M30	- DCG2404007BXXXAB

Top Panel Assembly

TOP PANEL OUTDOOR ASSY



TOP PANEL INDOOR ASSY



Top Panel Assembly

**Ref. Part
No: No:**

Description:

**Ref. Part
No: No:**

Description:

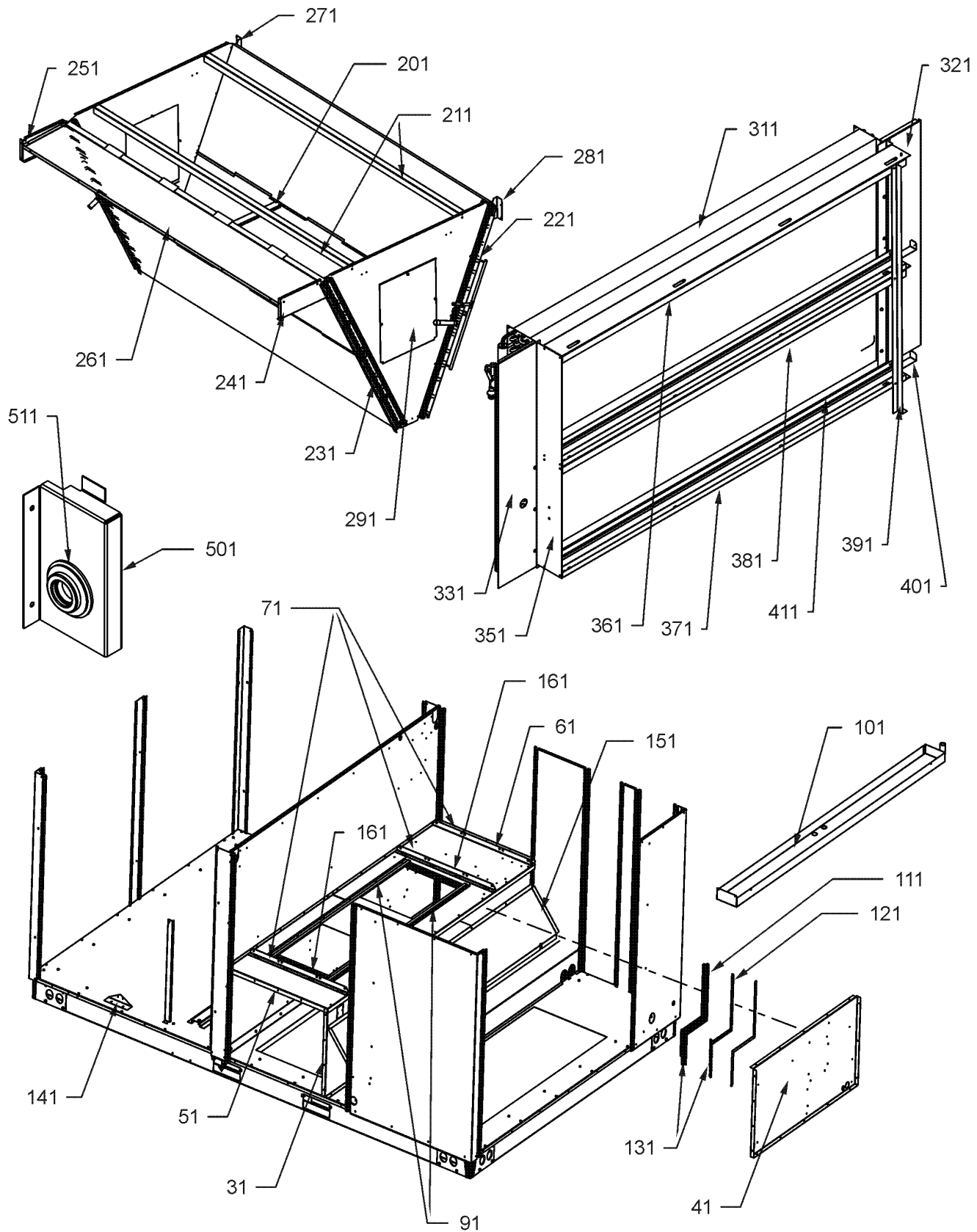
Image 1:

11	0121L01038NG	TOP-FAN,CONTROL SIDE
21	0121L01039NG	TOP-FAN, CENTER
31	0121L01040NG	TOP-FAN, EVAP SIDE
41	0152G00003	FAN GRILLE (QTY 3)
51	17788000083F	PVC CONDUIT 8.25" (QTY 3)
61	0161L00000	VENTURI RING 22" (QTY 3)
71	10625733	FAN BLADE 22" ALUM CCW (QTY 3)
81	0163M00006P	ACORN NUT 5/16 HEX BLACK (QTY 12)
91	0163M00005P	WASHER BLACK (.50 OD .218ID) (QTY 12)
101	0163M00004	SCREW #10X3/4", BLACK (QTY 2)
131	0131M00430	COND MOTOR 1/3 HP, 1 SP, 6 PL (M1, M2, M3, M4, M5, M6, M7, M8, M9, M10, M11, M12, M13, M14, M15, M16)
131	B13400249	COND MOTOR 1/3 HP, 460V (M25)
131	0131M00179	COND MOTOR 1/3 HP, 6 PL, 575V (M29)
131	0131M00500	COND MOTOR 1/3 HP, OD, LAK (M30)
131	0131M00774	MOTOR, 1/3 HP, OD (M17, M18, M19, M20, M21, M22, M23, M24, M26, M27, M28)
211	0121L00693NG	TOP-CONTROL SIDE
221	0121L00694NG	TOP PANEL ASSY
NS	M0272803	WASHER-LOCK (QTY 3)

Expanded Model Nomenclature

M1 - DCG2404003BAXAAA
M2 - DCG2404003BAXXAA
M3 - DCG2404003BHXBAA
M4 - DCG2404003BHXBAB
M5 - DCG2404003BJXAAA
M6 - DCG2404003BJXAAB
M7 - DCG2404003BJXNAA
M8 - DCG2404003BJXNAB
M9 - DCG2404003BXSDAA
M10 - DCG2404003BXSDAB
M11 - DCG2404003BXSXAA
M12 - DCG2404003BXSXAB
M13 - DCG2404003BXXBAA
M14 - DCG2404003BXXBAB
M15 - DCG2404003BXXXAA
M16 - DCG2404003BXXXAB
M17 - DCG2404004BAXXAB
M18 - DCG2404004BHXDAB
M19 - DCG2404004BHYNAB
M20 - DCG2404004BHXXAB
M21 - DCG2404004BJXGAB
M22 - DCG2404004BJXOAB
M23 - DCG2404004BJXRAB
M24 - DCG2404004BXXQAB
M25 - DCG2404004BXXXAA
M26 - DCG2404004BXXXAB
M27 - DCG2404004BXXXAC
M28 - DCG2404004BXXZAC
M29 - DCG2404007BXXXAA
M30 - DCG2404007BXXXAB

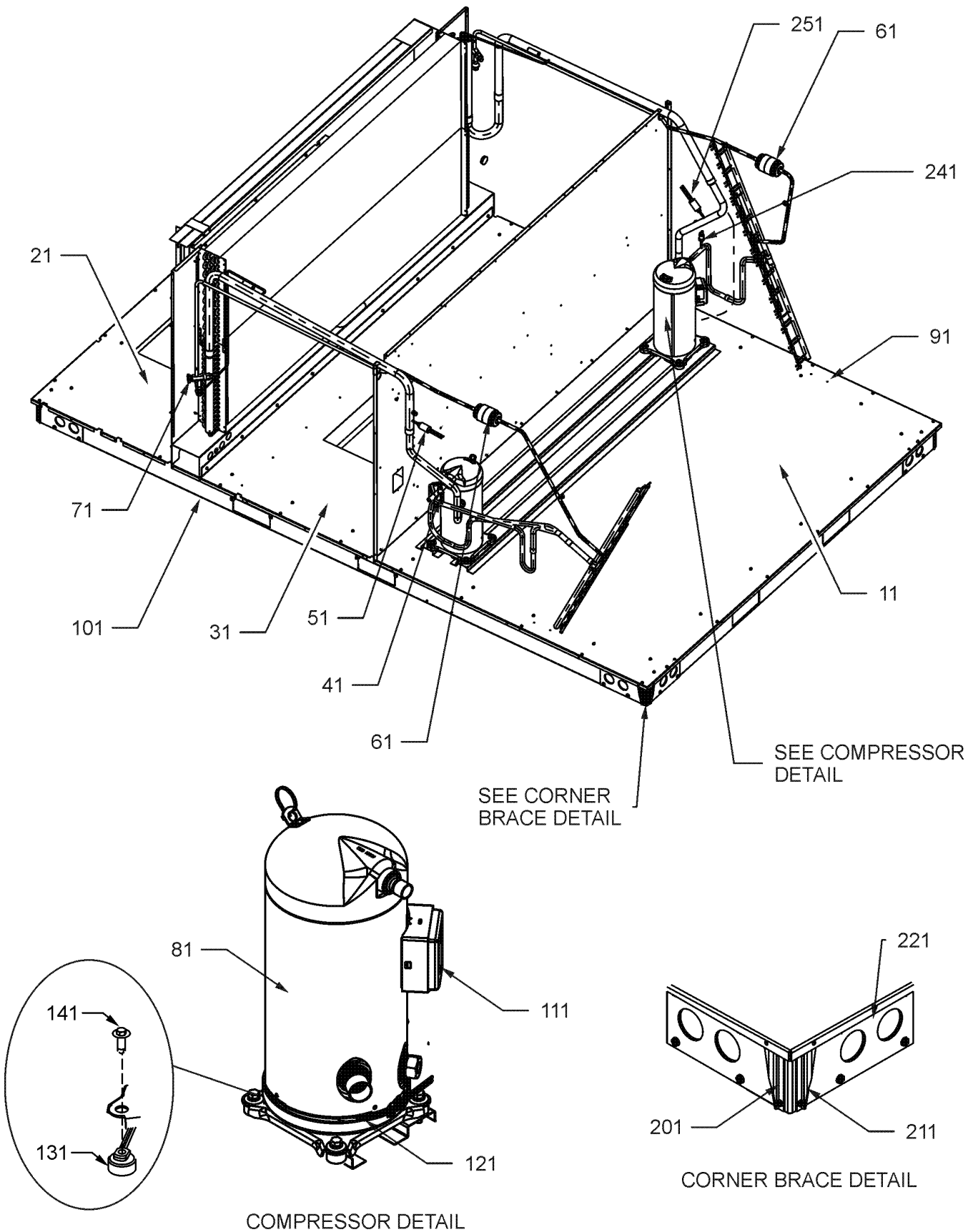
Partition / Condenser / Evaporator Assy



Partition / Condenser / Evaporator Assy

Ref. Part No: No:	Description:	Ref. Part No: No:	Description:
Image 1:		Expanded Model Nomenclature	
31	0121L01163 DECK, SIDE DUCT END	M1	- DCG2404003BAXAAA
41	0121L01162 DECK, SIDE HEAT END	M2	- DCG2404003BAXXAA
51	0121L01160 BLOWER DECK, EVAP SIDE	M3	- DCG2404003BHXBAA
61	0121L01161 BLOWER DECK, MOTOR SIDE	M4	- DCG2404003BHXBAB
71	0121L01431 MOTOR MOUNT ANGLE (QTY 3)	M5	- DCG2404003BJXAAA
91	0121L00478 BLOWER DECK RAIL (QTY 2)	M6	- DCG2404003BJXAAB
101	0121L01130 DRAIN PAN, EVAPORATOR	M7	- DCG2404003BJXNAA
101	0270L00612DG WELDMENT-DRAIN PAN	M8	- DCG2404003BJXNAB
111	0121L00551 HEAT EXCHANGER ANGLE, RH SIDE	M9	- DCG2404003BXSAAA
121	0121L00552 HEAT EXCHANGER ANGLE, LH SIDE	M10	- DCG2404003BXSADB
131	0121L00553 LOWER HEAT EXCHANGER ANGLE (QTY 2)	M11	- DCG2404003BXSAAA
141	0121L00913 BRACKET-COND/BASEPAN (QTY 2)	M12	- DCG2404003BXSAB
151	0121L01158 SHIELD, BLOWOFF	M13	- DCG2404003BXSAAA
161	0121L00481 BLOWER RAIL (QTY 2)	M14	- DCG2404003BXSAB
201	0121L00901 BRACE-COND COILS (QTY 2)	M15	- DCG2404003BXSAAA
211	0121L01037 ANGLE, TOP BRACE (QTY 2)	M16	- DCG2404003BXSAB
221	0201L00151 CONDENSER COIL ASSY C1	M17	- DCG2404004BAXXAB
231	0201L00152 CONDENSER COIL ASSY C2	M18	- DCG2404004BHXDAB
241	0121L01154 BRACKET, CONDENSER END C1	M19	- DCG2404004BHKNAB
251	0121L01156 BRACKET, CONDENSER END C2	M20	- DCG2404004BHXXAB
261	0121L00572 CONDENSER BLOCKOFF, INSIDE TOP	M21	- DCG2404004BJXGAB
271	0121L01155 BRACKET, COND/POST C1	M22	- DCG2404004BJXOAB
281	0121L01153 BRACKET, COND/POST C2	M23	- DCG2404004BJXRAB
291	0121L00910 COVER-COIL CLEANING (QTY 2)	M24	- DCG2404004BXXQAB
311	0202L00047 EVAPORATOR COIL ASSY (QTY 2)	M25	- DCG2404004BXXXAAA
321	0121L00698 EVAPORATOR BLOCKOFF PANEL	M26	- DCG2404004BXXXAB
331	0121L00848 PANEL-EVAPORATOR, SMOKE DET	M27	- DCG2404004BXXXAC
351	0121L00933 ANGLE-FILTER, LEFT VERTICAL	M28	- DCG2404004BXXXZAC
361	0121L01180 TOP ANGLE FILTER (M1, M2, M3, M4, M5, M6, M7, M8, M9, M10, M11, M12, M13, M14, M15, M16, M17, M18, M19, M20, M21, M22, M23, M24, M26, M27, M28, M29, M30)	M29	- DCG2404007BXXXAAA
361	0121L00629 TOP FILTER RACK (M25)	M30	- DCG2404007BXXXAB
371	0121L00701 BOTTOM FILTER RACK (M25)		
371	0121L01179 BOTTOM FILTER RACK (M1, M2, M3, M4, M5, M6, M7, M8, M9, M10, M11, M12, M13, M14, M15, M16, M17, M18, M19, M20, M21, M22, M23, M24, M26, M27, M28, M29, M30)		
381	0270L00230 CENTER FILTER RACK (M25)		
381	0270L00658 CENTER FILTER RACK (M1, M2, M3, M4, M5, M6, M7, M8, M9, M10, M11, M12, M13, M14, M15, M16, M17, M18, M19, M20, M21, M22, M23, M24, M26, M27, M28, M29, M30)		
391	0121L00632 FILTER SUPPORT ANGLE		
401	0121L00640 FILTER PULL (QTY 2)		
411	0121L00703 BOTTOM BLOCKOFF, FILTER RACK		
501	0121L00697 GAS VALVE PIPE BRACKET		
511	B1910013 GAS LINE GROMMET		
NS	0270L00233 BOTTOM SLIDER (M25)		
NS	0270L00232 CENTER SLIDER (M25)		
NS	0160L00137 FILTER, 20 X 25 X 2, STANDARD (QTY 6)		
NS	0121L00702 RIGHT SIDE BLOCKOFF, FILTER RACK (M25)		
NS	0121L00321 SMOKE DETECTOR COVER		
NS	0121L00634 TOP ANGLE BRACKET		
NS	0270L00271 WELDMENT-TOP SLIDER (M25)		

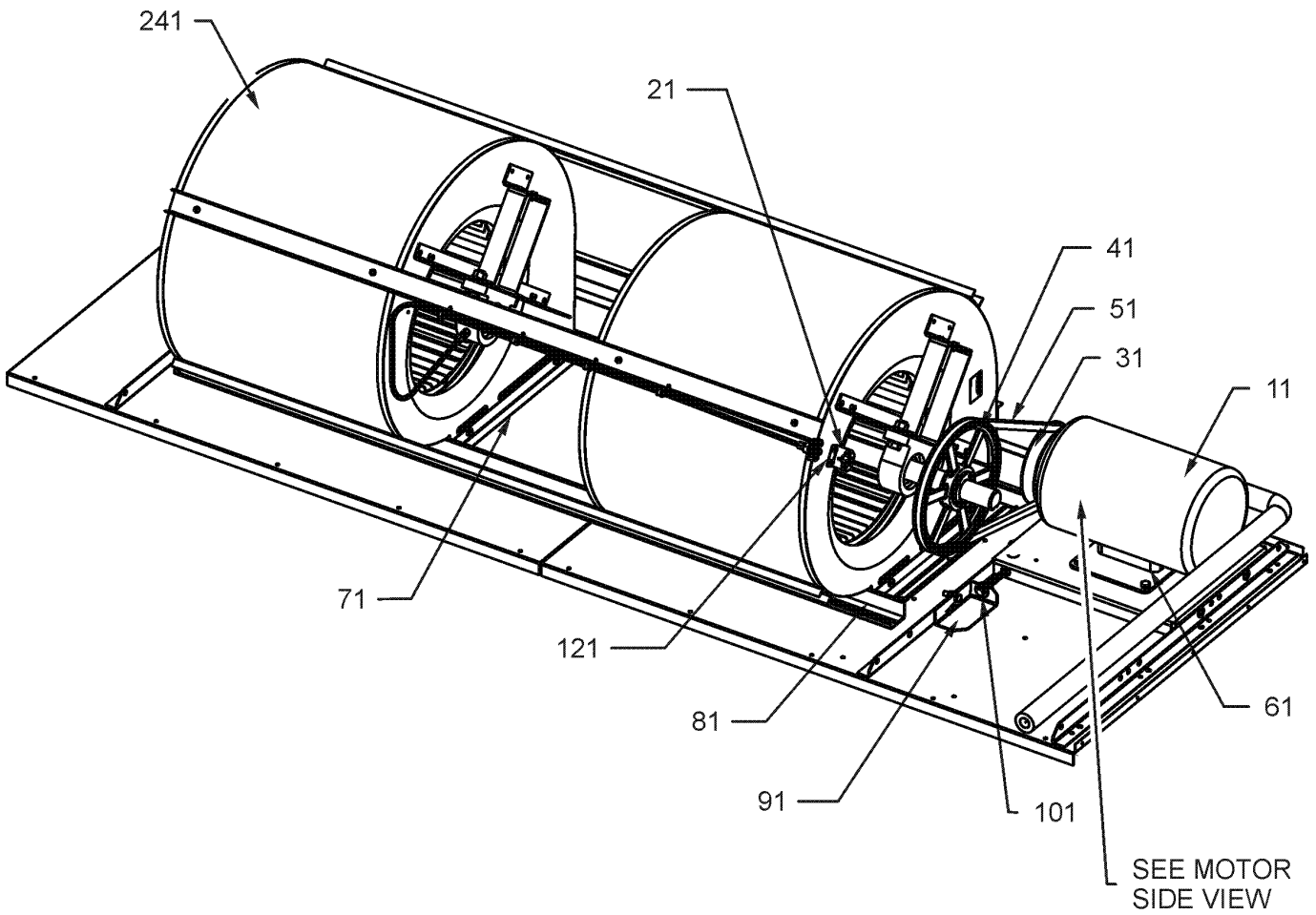
Compressor / Tubing Assembly



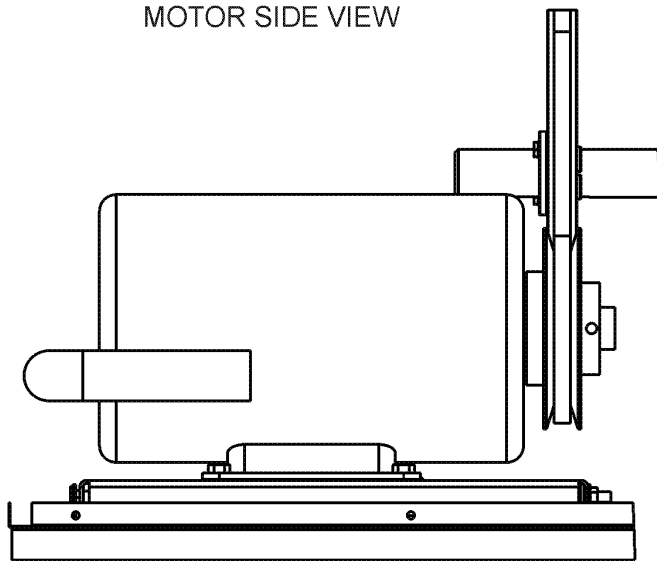
Compressor / Tubing Assembly

Ref. Part No: No:	Description:	Ref. Part No: No:	Description:
Image 1:		Expanded Model Nomenclature	
11	0121L00902 BASEPAN-OUTDOOR	M1 - DCG2404003BAXAAA	
21	0121L00947 BASEPAN-RETURN	M2 - DCG2404003BAXXAA	
31	0121L00948 BASEPAN-SUPPLY	M3 - DCG2404003BHXBAA	
41	0130M00074 CUT-OUT SWITCH, HIGH PRESSURE	M4 - DCG2404003BHXBAB	
51	0130M00087 LOW PRESSURE SWITCH	M5 - DCG2404003BJXAAA	
61	0151M00012 BI-FLOW FILTER DRIER	M6 - DCG2404003BJXAAB	
71	0151L00011 VALVE, TXV R-410A (QTY 8)	M7 - DCG2404003BJXNAA	
81	ZP122KCETFD155 COMP, 124000, 460/60/3 (M27, M28)	M8 - DCG2404003BJXNAB	
81	ZP122KCETF5250 COMP,124000, 200/230/60/3 (M4, M6, M8, M10, M12, M14, M16)	M9 - DCG2404003BXSDAA	
81	ZP120KCETFE155 COMPRESSOR 121,000, 575/60/3 (M29, M30)	M10 - DCG2404003BXSDAB	
81	ZP120KCETF5250 COMPRESSOR 123,000, 200/230/60/3 (M1, M2, M3, M5, M7, M9, M11, M13, M15)	M11 - DCG2404003BXSXAA	
81	ZP120KCETFD155 COMPRESSOR 123,000, 460/60/3 (M17, M18, M19, M20, M21, M22, M23, M24, M25, M26)	M12 - DCG2404003BXSXAB	
91	0121L00720 SIDE RAIL	M13 - DCG2404003BXXBAA	
101	0121L00719 CONTROL SIDE BASE RAIL	M14 - DCG2404003BXXBAB	
111	0159L00048 COMPRESSOR SCROLL HARNESS (M1, M2, M3, M4, M5, M6, M7, M8, M9, M10, M11, M12, M13, M14, M15, M16)	M15 - DCG2404003BXXXAA	
111	0159L00049 COMPRESSOR SCROLL HARNESS (M1, M2, M3, M4, M5, M6, M7, M8, M9, M10, M11, M12, M13, M14, M15, M16)	M16 - DCG2404003BXXXAB	
111	0159L00072 COMPRESSOR SCROLL HARNESS (M17, M18, M19, M20, M21, M22, M23, M24, M25, M26, M27, M28, M29, M30)	M17 - DCG2404004BAXXAB	
111	0159L00073 COMPRESSOR SCROLL HARNESS (M17, M18, M19, M20, M21, M22, M23, M24, M25, M26, M27, M28, M29, M30)	M18 - DCG2404004BHxDAB	
121	0130L00020 CRANK CASE HEATER, 90W, 240V (M1, M2, M3, M5, M7, M9, M11, M13, M15)	M19 - DCG2404004BHXNAB	
121	0130L00021 CRANK CASE HEATER, 90W, 480V (M17, M18, M19, M20, M21, M22, M23, M24, M25, M26)	M20 - DCG2404004BHXXAB	
121	0130L00022 CRANK CASE HEATER, 90W, 575V (M29, M30)	M21 - DCG2404004BJXGAB	
121	0130L00017 CRANK CASE HEATER-70W 240V (M4, M6, M8, M10, M12, M14, M16)	M22 - DCG2404004BJXOAB	
121	0130L00018 CRANK CASE HEATER-70W, 480V (M27, M28)	M23 - DCG2404004BJXRAB	
131	0164M00018 COMPRESSOR GROMMET (QTY 8)	M24 - DCG2404004BXXQAB	
141	B1393740 COMPRESSOR BOLT & SLEEVE (QTY 8)	M25 - DCG2404004BXXXAA	
201	0121L00616 RAIL BRACE ANGLE, RIGHT (QTY 4)	M26 - DCG2404004BXXXAB	
211	0121L00617 RAIL BRACE ANGLE, LEFT (QTY 4)	M27 - DCG2404004BXXXAC	
221	0121L00723 BASE RAIL CORNER BRACE (QTY 4)	M28 - DCG2404004BXXZAC	
241	0130M00074 HIGH PRESSURE SWITCH	M29 - DCG2404007BXXXAA	
251	0130M00087 CUT-OUT SWITCH, LOW PRESSURE	M30 - DCG2404007BXXXAB	
NS	0121L00722 BASE RAIL, ACCESSORY END		
NS	0121L00721 BASE RAIL, CONDENSER END (QTY 2)		
NS	0163M00175 CAP WITH O-RING (QTY 4)		
NS	0121L00625 COMPRESSOR RAIL BRACKET (QTY 4)		
NS	0141L00029 FORK BOARD (QTY 2)		
NS	0121L00724 FORK BOARD BRACKET (QTY 4)		
NS	0121L00605 FORK BOARD PLATE		

Belt Drive Blower Assembly



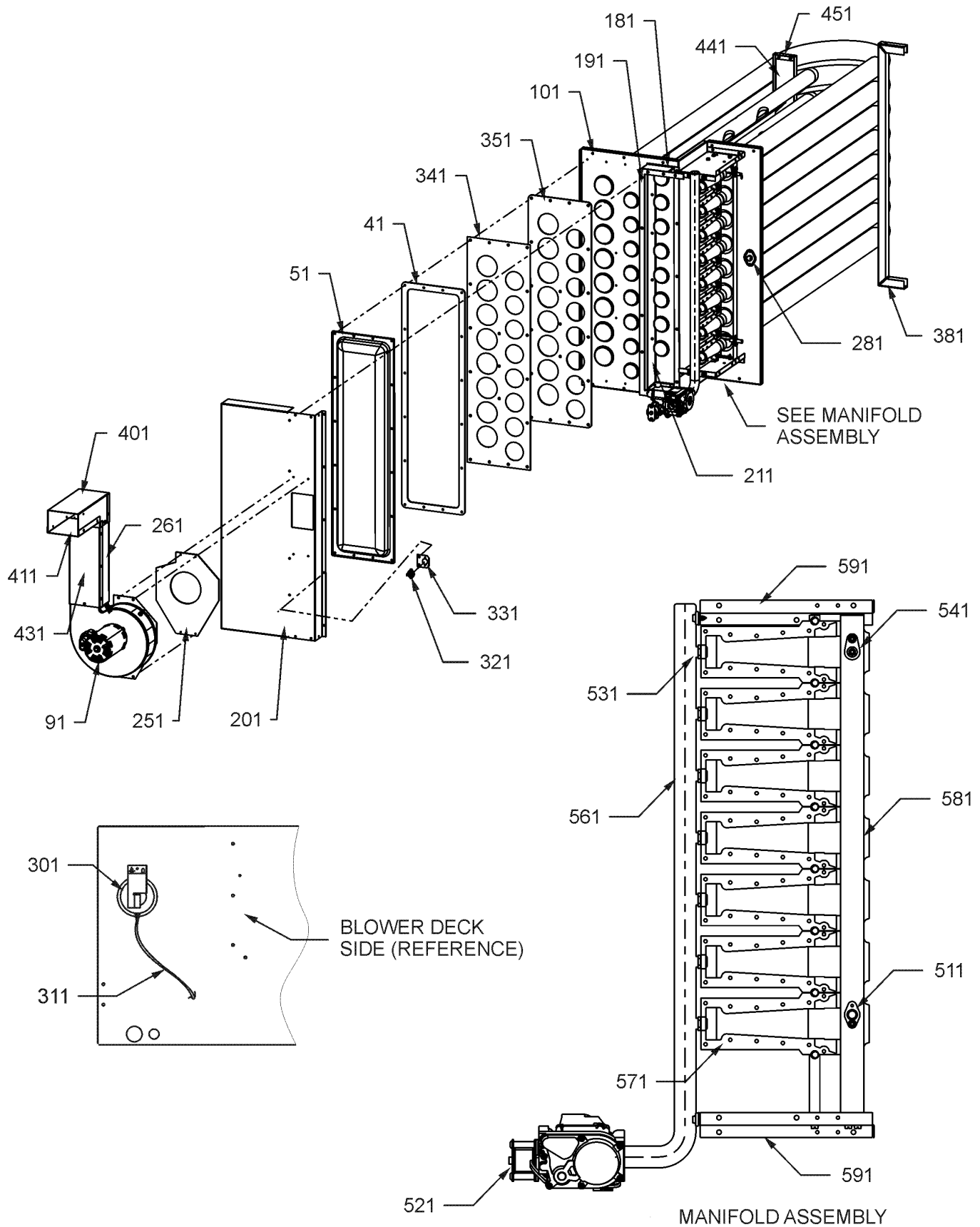
MOTOR SIDE VIEW



Belt Drive Blower Assembly

Ref. Part No: No:	Description:	Ref. Part No: No:	Description:
Image 1:		Expanded Model Nomenclature	
11	0131M00274	COND MOTOR 5.0 HP (M1, M2, M3, M4, M5, M6, M7, M8, M9, M10, M11, M12, M13, M14, M15, M16, M17, M18, M19, M20, M21, M22, M23, M24, M25, M26, M27, M28)	M1 - DCG2404003BAXAAA M2 - DCG2404003BAXXAA M3 - DCG2404003BHXBAA M4 - DCG2404003BHXBAB M5 - DCG2404003BJXAAA M6 - DCG2404003BJXAAB M7 - DCG2404003BJXNAA M8 - DCG2404003BJXNAB M9 - DCG2404003BXSAAA M10 - DCG2404003BXSADB M11 - DCG2404003BXSXAA M12 - DCG2404003BXSXAB M13 - DCG2404003BXXBAA M14 - DCG2404003BXXBAB M15 - DCG2404003BXXXAA M16 - DCG2404003BXXXAB M17 - DCG2404004BAXXAB M18 - DCG2404004BHXDAB M19 - DCG2404004BHXNAB M20 - DCG2404004BHXXAB M21 - DCG2404004BJXGAB M22 - DCG2404004BJXOAB M23 - DCG2404004BJXRAB M24 - DCG2404004BXXQAB M25 - DCG2404004BXXXAA M26 - DCG2404004BXXXAB M27 - DCG2404004BXXXAC M28 - DCG2404004BXXZAC M29 - DCG2404007BXXXAA M30 - DCG2404007BXXXAB
11	0131L00007	MOTOR-5 HP BELT DRIVE 575V 3P (M29, M30)	
21	0130M00064	LIMIT	
31	0163L00037	VARIABLE PITCH SHEAVE	
41	0163L00139	SHEAVE, FIXED BK100H	
51	0164L00006	FAN BELT, NOTCHED (M1, M2, M3, M4, M5, M6, M7, M8, M9, M10, M11, M12, M13, M14, M15, M16, M17, M18, M19, M20, M21, M22, M23, M24, M26, M27, M28, M29, M30)	
51	0164L00005	NOTCHED FAN BELT BX46 (M25)	
61	0121L01430	BASE, MOTOR (M1, M2, M3, M4, M5, M6, M7, M8, M9, M10, M11, M12, M13, M14, M15, M16, M17, M18, M19, M20, M21, M22, M23, M24, M26, M27, M28, M29, M30)	
61	0121L00555	MOTOR BASE PLATE (M25)	
71	0121L00482	BLOWER SIDE ANGLE (QTY 4)	
81	0121L00479	BLOWER RAIL (QTY 2)	
91	0121L01429	BRACKET, DRIVE SCREW (M1, M2, M3, M4, M5, M6, M7, M8, M9, M10, M11, M12, M13, M14, M15, M16, M17, M18, M19, M20, M21, M22, M23, M24, M26, M27, M28, M29, M30)	
101	0163M00351	BOLT, 3/8-16-6 (M1, M2, M3, M4, M5, M6, M7, M8, M9, M10, M11, M12, M13, M14, M15, M16, M17, M18, M19, M20, M21, M22, M23, M24, M26, M27, M28, M29, M30)	
121	0121L00594	SECONDARY LIMIT BRACKET	
241	0271L00027	150-15R BD 1.44 TWIN BLOWER	
NS	0163L00034	HOKED BOLT (M25)	
NS	0121L00557	MOTOR ADJUST BRACKET (M25)	

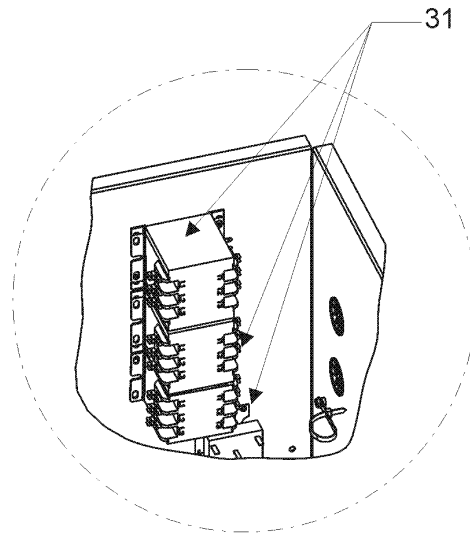
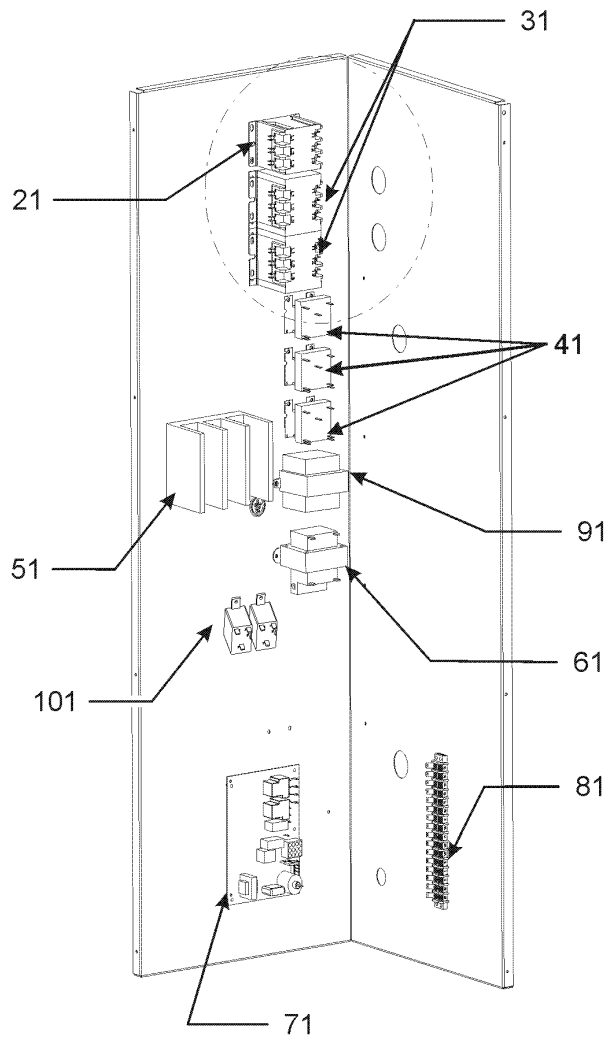
Heat Exchanger Assembly



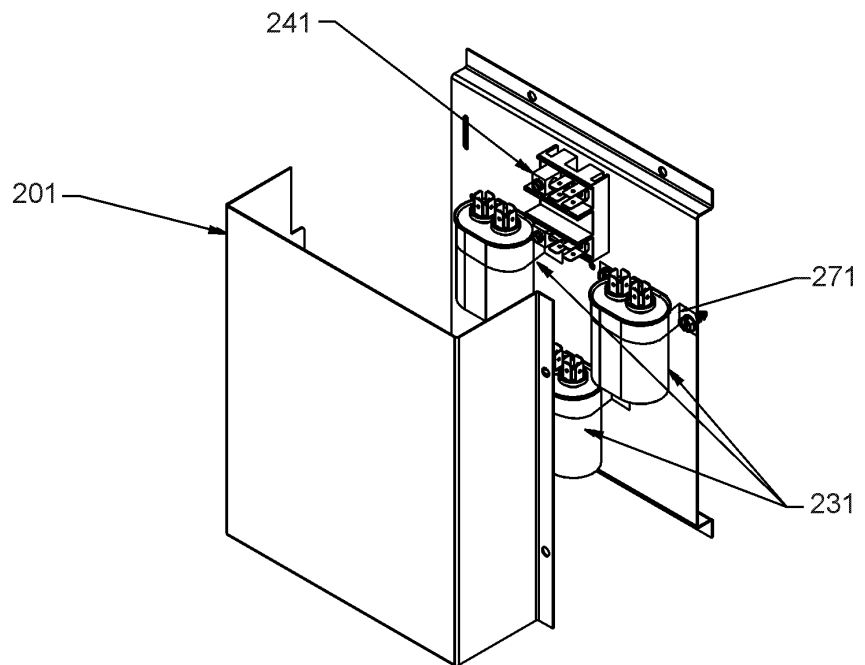
Heat Exchanger Assembly

Ref. Part No: No:	Description:	Ref. Part No: No:	Description:
Image 1:		Expanded Model Nomenclature	
41	0154L00025 COVER GASKET	M1	- DCG2404003BAXAAA
51	0121L00545 COVER-REAR 8 TUBE	M2	- DCG2404003BAXXAA
91	0131L00014 VENT MOTOR	M3	- DCG2404003BHXBAA
101	0270L00186 PARTITION TUBE ASSY 8B (M1, M2, M3, M4, M5, M6, M7, M8, M13, M14, M15, M16, M17, M18, M19, M20, M21, M22, M23, M24, M25, M26, M27, M28, M29, M30)	M4	- DCG2404003BHXBAB
101	0270L00221 PARTITION TUBE ASSY-8B SS (M9, M10, M11, M12)	M5	- DCG2404003BJXAAA
181	0154L00026 INNER COLLECTOR BOX GASKET	M6	- DCG2404003BJXAAB
191	0154L00027 OUTER COLLECTOR BOX GASKET	M7	- DCG2404003BJXNAA
201	0121L00550 COVER-COLLECTOR BOX 8	M8	- DCG2404003BJXNAB
211	0121L00546 CHANNEL-COLLECTOR BOX 8	M9	- DCG2404003BXSDAA
251	0154L00029 ID BLOWER GASKET	M10	- DCG2404003BXSDAB
261	0121L00668 FLUE WRAPPER, BACK	M11	- DCG2404003BXSXAA
281	20162903 PRIMARY LIMIT - BLUE	M12	- DCG2404003BXSXAB
301	11112501 PRESSURE SWITCH	M13	- DCG2404003BXXBAA
311	A3468601 PRESSURE SWITCH HOSE	M14	- DCG2404003BXXBAB
321	10123529 MANUAL RESET LIMIT-GREEN	M15	- DCG2404003BXXXAA
331	0121L00053 FLAME ROLLOUT BRACKET	M16	- DCG2404003BXXXAB
341	0121L00548 PLATE-TUBE PANEL 8	M17	- DCG2404004BAXXAB
351	0154L00028 TUBE PANEL GASKET	M18	- DCG2404004BHXXDAB
381	0121L00930 SUPPORT-HEAT TUBES 2.25	M19	- DCG2404004BHXNAB
401	0121L00670 FLUE WRAPPER EXIT	M20	- DCG2404004BHXXAB
411	0121L00671 FLUE COVER EXIT	M21	- DCG2404004BJXGAB
431	0121L00669 FLUE COVER, FRONT	M22	- DCG2404004BJXOAB
441	0121L00808 SUPPORT-HEAT TUBES 2.25	M23	- DCG2404004BJXRAB
451	0121L00823 BRACKET-TUBE SUPPORT (QTY 2)	M24	- DCG2404004BXXQAB
511	20261709 IGNITOR	M25	- DCG2404004BXXXAA
521	0151M00015 VALVE, GAS (HW) VR83	M26	- DCG2404004BXXXAB
531	0163L00014 ORIFICE (QTY 8)	M27	- DCG2404004BXXXAC
541	0130F00010 FLAME SENSOR	M28	- DCG2404004BXXZAC
561	0163L00033 MANIFOLD-GAS 8 BURNER	M29	- DCG2404007BXXXAA
571	0163L00000 BECKETT BURNER (QTY 8)	M30	- DCG2404007BXXXAB
581	0121L00635 BRACKET-8 BURNERS		
591	0121G00268 BRACKET-BURNER TOP/BOT (QTY 2)		
NS	0163L00040 FLUE SCREEN		

Control Box / Capacitor Assembly



CAPACITOR ASSEMBLY



Control Box / Capacitor Assembly

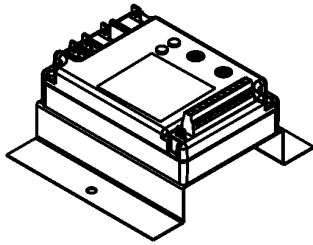
Ref. Part No: No:	Description:	Ref. Part No: No:	Description:
Image 1:		Expanded Model Nomenclature	
21	CONT3P050024V CONTACTOR 50 AMP, 3P, 24V (M1, M2, M3, M4, M5, M6, M7, M8, M9, M10, M11, M12, M13, M14, M15, M16)	M1 - DCG2404003BAXAAA	
31	CONT3P030024V CONTACTOR 30 AMP, 3P, 24V	M2 - DCG2404003BAXXAA	
41	0130M00025 24V RELAY (QTY 3)	M3 - DCG2404003BHXBAA	
51	0130M00042 BLOCK, POWER (M1, M2, M3, M4, M5, M6, M7, M8, M9, M10, M11, M12, M13, M14, M15, M16)	M4 - DCG2404003BHXBAB	
61	0130M00144 TRANSFORMER (M1, M2, M3, M4, M5, M6, M7, M8, M9, M10, M11, M12, M13, M14, M15, M16)	M5 - DCG2404003BJXAAA	
61	0130M00145 TRANSFORMER 480V to 24V, 75VA (M17, M18, M19, M20, M21, M22, M23, M24, M25, M26, M27, M28)	M6 - DCG2404003BJXAAB	
61	0130M00148 TRANSFORMER 575V to 24V, 75VA (M29, M30)	M7 - DCG2404003BJXNAA	
71	PCBAG123 IGNITION BOARD, DSI INTEGRATED	M8 - DCG2404003BJXNAB	
81	0130M00038 TERMINAL BOARD	M9 - DCG2404003BXSDAA	
91	0130M00146 TRANSFORMER 480V TO 230V, 150VA (M17, M18, M19, M20, M21, M22, M23, M24, M25, M26, M27, M28)	M10 - DCG2404003BXSDAB	
91	0130M00147 TRANSFORMER 575V TO 230V, 150VA (M29, M30)	M11 - DCG2404003BXSXAA	
101	0130M00242 RELAY, 24V (QTY 2)	M12 - DCG2404003BXSXAB	
201	0121L00586 CAPACITOR COVER	M13 - DCG2404003BXXBAA	
231	CAP100000370LA CAPACITOR 10/370V (M1, M2, M3, M4, M5, M6, M7, M8, M9, M10, M11, M12, M13, M14, M15, M16, M17, M18, M19, M20, M21, M22, M23, M24, M26, M27, M28)	M14 - DCG2404003BXXBAB	
231	CAP050000370LA CAPACITOR 5/370V (M25, M29)	M15 - DCG2404003BXXXAA	
231	CAP050000440LA CAPACITOR 5/440V (M30)	M16 - DCG2404003BXXXAB	
241	B1368250 TERMINAL BLOCK (HIGH VOLTAGE)	M17 - DCG2404004BAXXAB	
271	20520901 CAPACITOR STRAP (QTY 3)	M18 - DCG2404004BHXDAB	
NS	0259L00118 CONDENSER FAN HARNESS, LONG	M19 - DCG2404004BHXNAB	
NS	0259L00117 CONDENSER FAN HARNESS, MEDIUM	M20 - DCG2404004BHXXAB	
NS	0259L00116 CONDENSER FAN HARNESS, SHORT	M21 - DCG2404004BJXGAB	
NS	0259L00134 HARNESS, 12 PIN GAS	M22 - DCG2404004BJXOAB	
NS	0259L00135 HARNESS, CONTROL GAS	M23 - DCG2404004BJXRAB	
NS	0259L00164 HARNESS, ECONOMIZER AC	M24 - DCG2404004BXXQAB	
NS	0159L00052 HARNESS, JUMPER LONG (M1, M2, M3, M4, M5, M6, M7, M8, M9, M10, M11, M12, M13, M14, M15, M16)	M25 - DCG2404004BXXXAA	
NS	0159L00051 HARNESS, JUMPER SHORT (M1, M2, M3, M4, M5, M6, M7, M8, M9, M10, M11, M12, M13, M14, M15, M16)	M26 - DCG2404004BXXXAB	
NS	0259L00101 MOTOR HARNESS-BELT DRIVE	M27 - DCG2404004BXXXAC	
NS	0259L00136 WIRE HARNESS ASSY	M28 - DCG2404004BXXZAC	
NS	0259L00090 WIRE HARNESS-SMOKE DETECTOR (M7, M8, M9, M10, M18, M19, M21, M22, M24, M28)	M29 - DCG2404007BXXXAA	
		M30 - DCG2404007BXXXAB	

Accessory Parts List

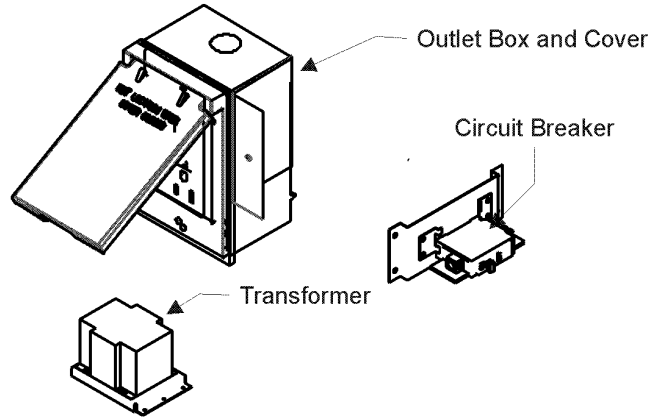
ACCESSORY PARTS LIST

NOTE: NOT ALL OPTIONS AVAILABLE FOR ALL PRODUCTS

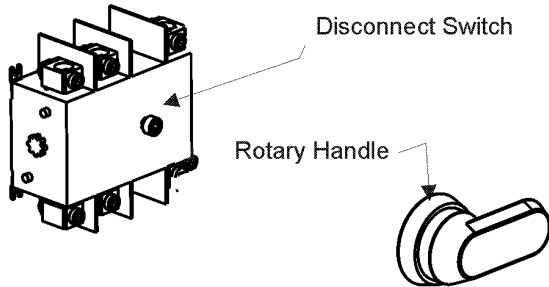
1 LOW AMBIENT KITS



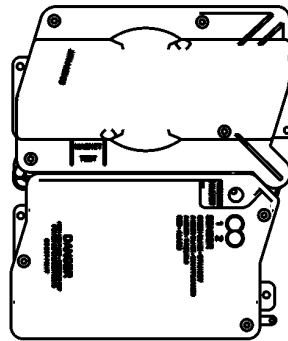
2 GFCI CONVENIENCE OUTLET



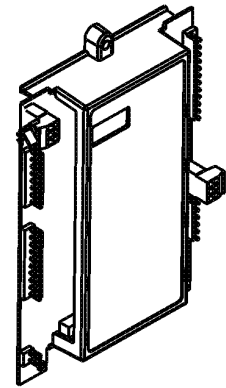
3 DISCONNECT MODULE (NON-FUSED)



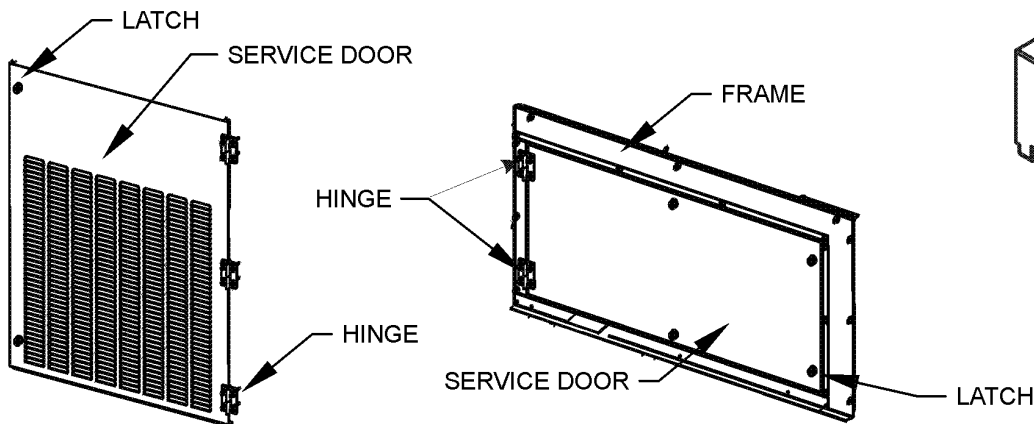
4 SMOKE DETECTORS



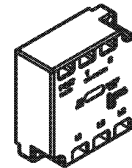
5 DDC CONTROL



6 HINGED DOOR ASSEMBLIES



7 PHASE MONITOR



Accessory Parts List

Ref. Part No:	Description:	Ref. Part No:	Description:
Image 1:		Expanded Model Nomenclature	
NS 0121L00316	BRACKET-CONV OUTLET MOUNT (M1, M3, M4, M5, M6, M7, M8, M13, M14, M19, M21, M22, M23, M24)	M1 - DCG2404003BAXAAA	
NS 0121L00855	BRACKET-DISCONNECT SWITCH (M3, M4, M5, M6, M7, M8, M18, M19, M20, M21, M22, M23)	M2 - DCG2404003BAXXAA	
NS 0121L01053	BRACKET-SMOKE DETECTOR (M7, M8, M9, M10, M18, M19, M21, M22, M24, M28)	M3 - DCG2404003BHXBAA	
NS 0130M00065	CIRCUIT BREAKER, CONVENIENCE OUTLET (M3, M4, M7, M8, M13, M14, M19, M22, M23, M24)	M4 - DCG2404003BHXBAB	
NS 0121L00839NG	DISCONNECT COVER (M3, M4, M5, M6, M7, M8, M18, M19, M20, M21, M22, M23)	M5 - DCG2404003BJXAAA	
NS 0130L00012	GANG BOX-GFCI OUTLET (M1, M3, M4, M5, M6, M7, M8, M13, M14, M19, M21, M22, M23, M24)	M6 - DCG2404003BJXAAB	
NS 0130L00039	HANDLE, ROTARY (M3, M4, M5, M6, M7, M8, M18, M19, M20, M21, M22, M23)	M7 - DCG2404003BJXNAA	
NS LAKT03	LOW AMBIENT KIT (M23, M24)	M8 - DCG2404003BJXNAB	
NS 0161G00012	POWER OUTLET BOX (M1, M3, M4, M5, M6, M7, M8, M13, M14, M19, M21, M22, M23, M24)	M9 - DCG2404003BXSDAA	
NS 0130L00103	RECEPTACLE-GFCI OUTLET (M1, M3, M4, M5, M6, M7, M8, M13, M14, M19, M21, M22, M23, M24)	M10 - DCG2404003BXSDAB	
NS 0130L00043	SHAFT, CUT (M3, M4, M5, M6, M7, M8)	M11 - DCG2404003BXSXAA	
NS 0130L00058	SHAFT, CUT (M19, M22, M23)	M12 - DCG2404003BXSXAB	
NS 0130L00059	SHAFT, CUT (M18, M20, M21)	M13 - DCG2404003BXXBAA	
NS 0130L00049	SHAFT, DISCONNECT (M3, M4, M5, M6, M7, M8, M18, M19, M20, M21, M22, M23)	M14 - DCG2404003BXXBAB	
NS D4120	SMOKE DETECTOR, PHOTO 4WIRE (M7, M8, M9, M10, M18, M19, M21, M22, M23, M24, M28)	M15 - DCG2404003BXXXAA	
NS D4S	SMOKE DETECTOR, SENSOR ONLY (M22, M28)	M16 - DCG2404003BXXXAB	
NS 0130L00027	SWITCH-DISCONNECT 100A (M19, M22, M23)	M17 - DCG2404004BAXXAB	
NS 0130L00033	SWITCH-DISCONNECT 200A (M3, M4, M5, M6, M7, M8)	M18 - DCG2404004BHXXDAB	
NS 0130L00046	SWITCH-DISCONNECT 60A (M18, M20, M21)	M19 - DCG2404004BHXNAB	
NS 0130M00061	TRANSFORMER, CONVENIENCE OUTLET (M3, M4, M7, M8, M13, M14, M19, M22, M23, M24)	M20 - DCG2404004BHXXAB	
		M21 - DCG2404004BJXGAB	
		M22 - DCG2404004BJXOAB	
		M23 - DCG2404004BJXRAB	
		M24 - DCG2404004BXXQAB	
		M25 - DCG2404004BXXXAA	
		M26 - DCG2404004BXXXAB	
		M27 - DCG2404004BXXXAC	
		M28 - DCG2404004BXXZAC	
		M29 - DCG2404007BXXXAA	
		M30 - DCG2404007BXXXAB	