

## Commercial 20 Ton 2-Speed High Static Package Gas Unit

DCG2404003WRXNBA  
DCG2404003WVBXBA  
DCG2404003WVDXBA  
DCG2404003WXDXBA  
DCG2404003WXKABA  
DCG2404003WXMCA  
DCG2404003WXXXBA  
DCG2404004WHSNBA  
DCG2404004WJXXBA  
DCG2404004WRXXBA  
DCG2404004WVDXBA  
DCG2404004WVXBBA  
DCG2404004WXKGBA  
DCG2404004WXXXBA  
DCG2404007WRSABA  
DCG2404007WVXXBA



This manual is to be used by qualified technicians only.

This manual replaces RP-D1214E.

# Important Information

---

## Index

Functional Parts List .....	3
Illustration and Parts .....	4 - 19

*Views shown are for parts illustrations only, not servicing procedures*

### Text Codes:

AR - As Required

NA - Not Available

NS - Not Shown

00000000 - See Note

QTY - Quantity Example (QTY 3) (If Quantity not shown, Quantity = 1)

M - Model Example (M1) (If M Code not shown, then part is used on all Models)

### Expanded Model Nomenclature:

Example M1 - Model#1 M2 - Model#2 M3 - Model#3
---

Daikin Company, L.P. is not responsible for personal injury or property damage resulting from improper service. Review all service information before beginning repairs.

Warranty service must be performed by an authorized technician, using authorized factory parts. If service is required after the warranty expires, Daikin Company, L.P. also recommends contacting an authorized technician and using authorized factory parts.

Daikin Company, L.P. reserves the right to discontinue, or change at any time, specifications or designs without notice or without incurring obligations.

For assistance within the U.S.A. contact:

Equipment Support  
Daikin North America, LLC  
19001 Kermier Road  
Waller, Texas 77484  
855-770-5678-Telephone  
713-863-2382-Facsimile

For assistance outside the U.S.A. contact:

International Division  
Daikin North America, LLC  
19001 Kermier Road  
Waller, Texas 77484  
713-861-2500-Telephone  
713-863-2382-Facsimile

# Functional Parts

## Part

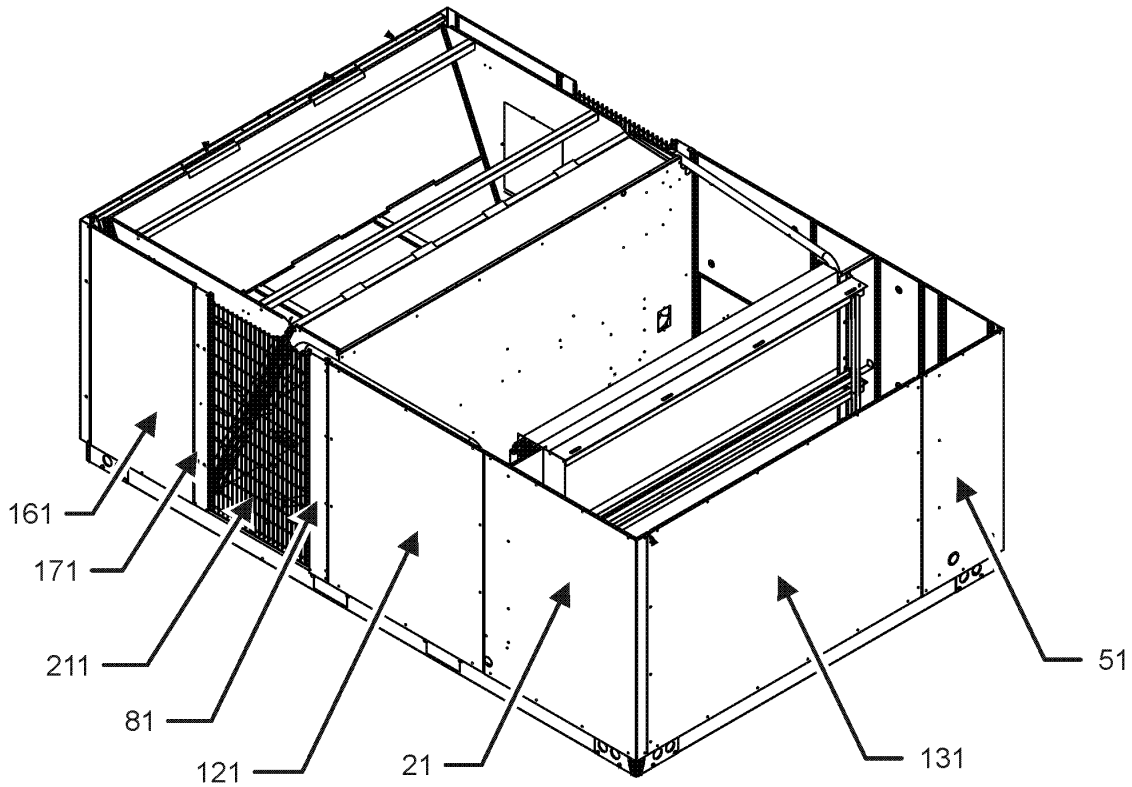
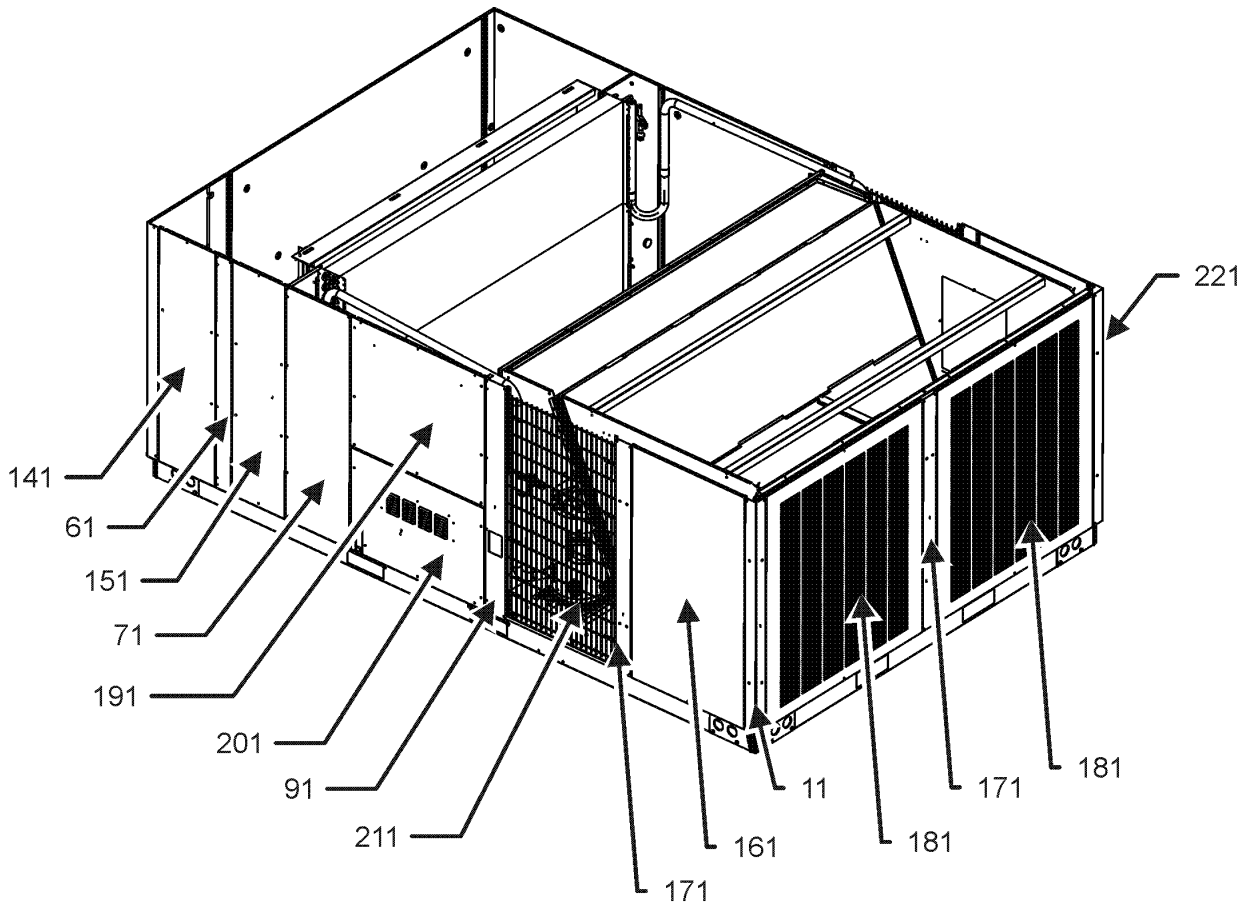
## No: Description:

0271L00027	150-15R BD 1.44 TWIN BLOWER
0163L00000	BECKETT BURNER (QTY 8)
CAP050000440LA	CAPACITOR (M15, M16)
CAP100000370LA	CAPACITOR 10/370V (M1, M2, M3, M4, M5, M6, M7, M8, M9, M10, M11, M12, M13, M14)
ZP122KCETFD155	COMP, 124000, 460/60/3 (M8, M9, M10, M11, M12, M13, M14)
ZP122KCETFE155	COMP, 124000, 575/60/3 (M15, M16)
ZP122KCETF5250	COMP, 124000, 200/230/60/3 (M1, M2, M3, M4, M5, M6, M7)
CONT3P030024V	CONT, 3 POLE, 30 AMP, 24 VAC (M8, M9, M10, M11, M12, M13, M14, M15, M16)
CONT3P040024V	CONT, 3 POLE, 40 AMP, 24 VAC (M1, M2, M3, M4, M5, M6, M7)
CONT3P050024V	CONT, 3 POLE, 50 AMP, 24 VAC (M1, M2, M3, M4, M5, M6, M7)
0130L00019	CRANK CASE HEATER, 70W, 575V (M15, M16)
0130L00017	CRANK CASE HEATER-70W 240V (M1, M2, M3, M4, M5, M6, M7)
0130L00018	CRANK CASE HEATER-70W, 480V (M8, M9, M10, M11, M12, M13, M14)
0130M00074	CUT-OUT SWITCH, HIGH PRESSURE (QTY 2)
0130M00087	CUT-OUT SWITCH, LOW PRESSURE (QTY 2)
0164L00006	FAN BELT-NOTCHED
10625733	FAN BLADE 22" ALUM CCW (QTY 3)
0130F00010	FLAME SENSOR
PCBAG123	IGNITION BOARD, DSI INTEGRATED
20261709	IGNITOR
0130M00064	LIMIT
10123529	MANUAL RESET LIMIT
0131L00119	MOTOR, 7.5 H.P. (M15, M16)
0131L00118	MOTOR, 7.5 H.P. (M8, M9, M10, M11, M12, M13, M14)
0131L00117	MOTOR, 7.5 H.P. (M1, M2, M3, M4, M5, M6, M7)
0131M00907	MOTOR, HP, 1/3, OD (M8, M9, M10, M11, M12, M13, M14)
0131M00908	MOTOR, HP, 1/3, OD, LAK (M15, M16)
0131M00906	MOTOR, HP, 1/3, SP, 1, PL, 6 (M1, M2, M3, M4, M5, M7)
11112501	PRESSURE SWITCH
20162903	PRIMARY LIMIT - BLUE
10135604	RELAY (QTY 2)
0130M00038	TERMINAL BOARD
0130M00596	TRANS, 150VA, 480V TO 230V (M8, M9, M10, M11, M12, M13, M14)
0130M00597	TRANS, 150VA, 575V TO 230V (M15, M16)
0130L00205	TRANSFORMER (M1, M2, M3, M4, M5, M6, M7)
0130L00206	TRANSFORMER (M8, M9, M10, M11, M12, M13, M14)
0130L00207	TRANSFORMER (M15, M16)
0151M00015	VALVE, GAS (HW) VR83

## Expanded Model Nomenclature

M1 - DCG2404003WRXNBA
M2 - DCG2404003WVBXBA
M3 - DCG2404003WVDXBA
M4 - DCG2404003WDXBA
M5 - DCG2404003WXKABA
M6 - DCG2404003WXMGBA
M7 - DCG2404003WXXXBA
M8 - DCG2404004WHSNBA
M9 - DCG2404004WJXXBA
M10 - DCG2404004WRXXBA
M11 - DCG2404004WVDXBA
M12 - DCG2404004WVXBBA
M13 - DCG2404004WXKGBA
M14 - DCG2404004WXXXBA
M15 - DCG2404007WRSABA
M16 - DCG2404007WVXXBA

# Cabinet Assembly

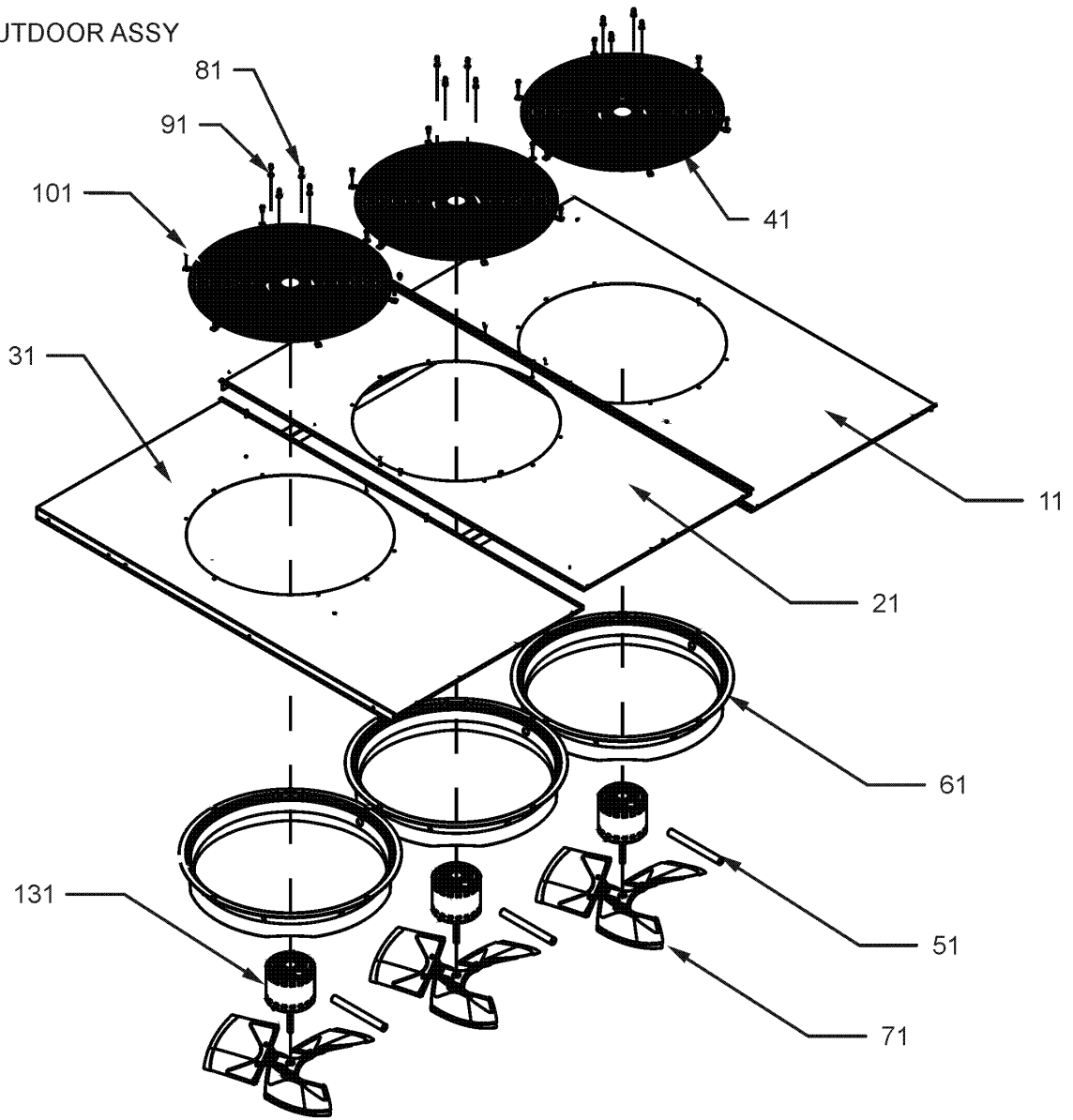


# Cabinet Assembly

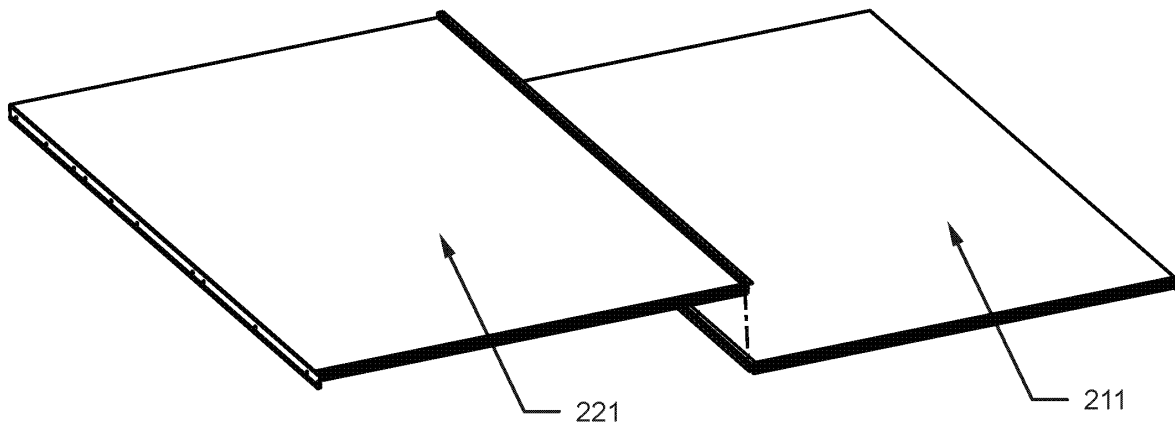
Ref. Part No:	No:	Description:	Ref. Part No:	No:	Description:
<b>Image 1:</b>			<b>Expanded Model Nomenclature</b>		
11	0121L01143NG	CORNER POST (QTY 2)	M1	-	DCG2404003WRXNBA
21	0121L00681NG	EVAP PANEL	M2	-	DCG2404003WV BXBA
51	0121L00679NG	CONTROL CORNER PANEL (M2, M3, M4, M6, M7, M11, M12, M14, M16)	M3	-	DCG2404003WVDXBA
51	0121L00800NG	DUCT PANEL (M1, M8, M9, M10, M15)	M4	-	DCG2404003WXDXBA
51	0121L01473NG	PAINTED CONTROL CORNER (M5, M13)	M5	-	DCG2404003WXKABA
61	0121L02048NG	PNT, POST-CONTROL /FILTER (M1, M2, M7, M8, M9, M10, M12, M14, M15, M16)	M6	-	DCG2404003WXM CBA
61	0121L01937NG	PNT, POST-CONTROL.FILTER (M3, M4, M5, M6, M11, M13)	M7	-	DCG2404003WXXXBA
71	0121L00710NG	BLOWER DOOR POST (M1, M2, M7, M8, M9, M10, M12, M14, M15, M16)	M8	-	DCG2404004WHSNBA
71	0121L01479NG	BLOWER DOOR POST (M3, M4, M5, M6, M11, M13)	M9	-	DCG2404004WJXXBA
81	0121L00903NG	POST-PARTITION, EVAP SIDE	M10	-	DCG2404004WRXXBA
91	0121L01524NG	POST PARTITION, GAS FLUE (M3, M4, M5, M6, M11, M13)	M11	-	DCG2404004WVDXBA
91	0121L00904NG	POST-PARTITION, GAS FLUE (M1, M2, M7, M8, M9, M10, M12, M14, M15, M16)	M12	-	DCG2404004WVXBBA
121	0121L00685NG	BLOWER DOOR, EVAP SIDE	M13	-	DCG2404004WXKGBA
131	0121L00688NG	ACCESSORY PANEL	M14	-	DCG2404004WXXXBA
141	0121L01603NG	CONTROL DOOR (M3, M4, M5, M6, M11, M13)	M15	-	DCG2404007WRSABA
141	0121L00687NG	PNT, DOOR-CONTROL (M1, M2, M7, M8, M9, M10, M12, M14, M15, M16)	M16	-	DCG2404007WVXXBA
151	0121L00686NG	FILTER DOOR (M1, M2, M7, M8, M9, M10, M12, M14, M15, M16)			
151	0121L01601NG	FILTER DOOR (M3, M4, M5, M6, M11, M13)			
161	0121L00907NG	PANEL-CONDENSER SIDE (QTY 2)			
171	0121L01144NG	POST, COND PANEL (QTY 3)			
181	0121L01174NG	PANEL-LOUVER, END (QTY 2)			
191	0121L00713NG	BLOWER DOOR GAS			
201	0121L00712NG	BURNER DOOR			
211	0152L00000	GRILLE-CONDENSER (QTY 2)			
221	0121L00476NG	PNT, TURNBUCKLE, DOOR (QTY 16)			
NS	0121L00562NG	PNT, HOOD-COMBUSTION AIR			
NS	M0204317	SCREW-MACH (QTY 16)			

# Top Panel Assembly

## TOP PANEL OUTDOOR ASSY



## TOP PANEL INDOOR ASSY



# Top Panel Assembly

Ref. Part No: No:	Description:	Ref. Part No: No:	Description:
-------------------	--------------	-------------------	--------------

**Image 1:**

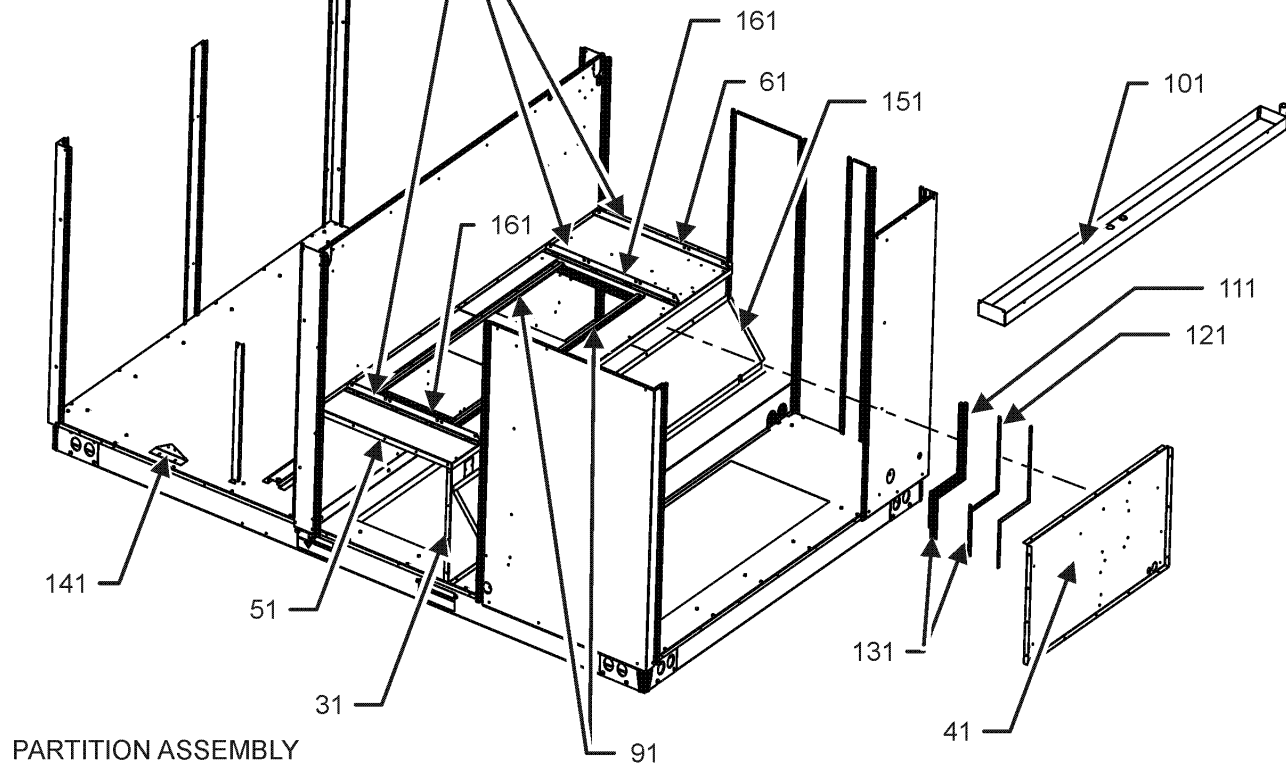
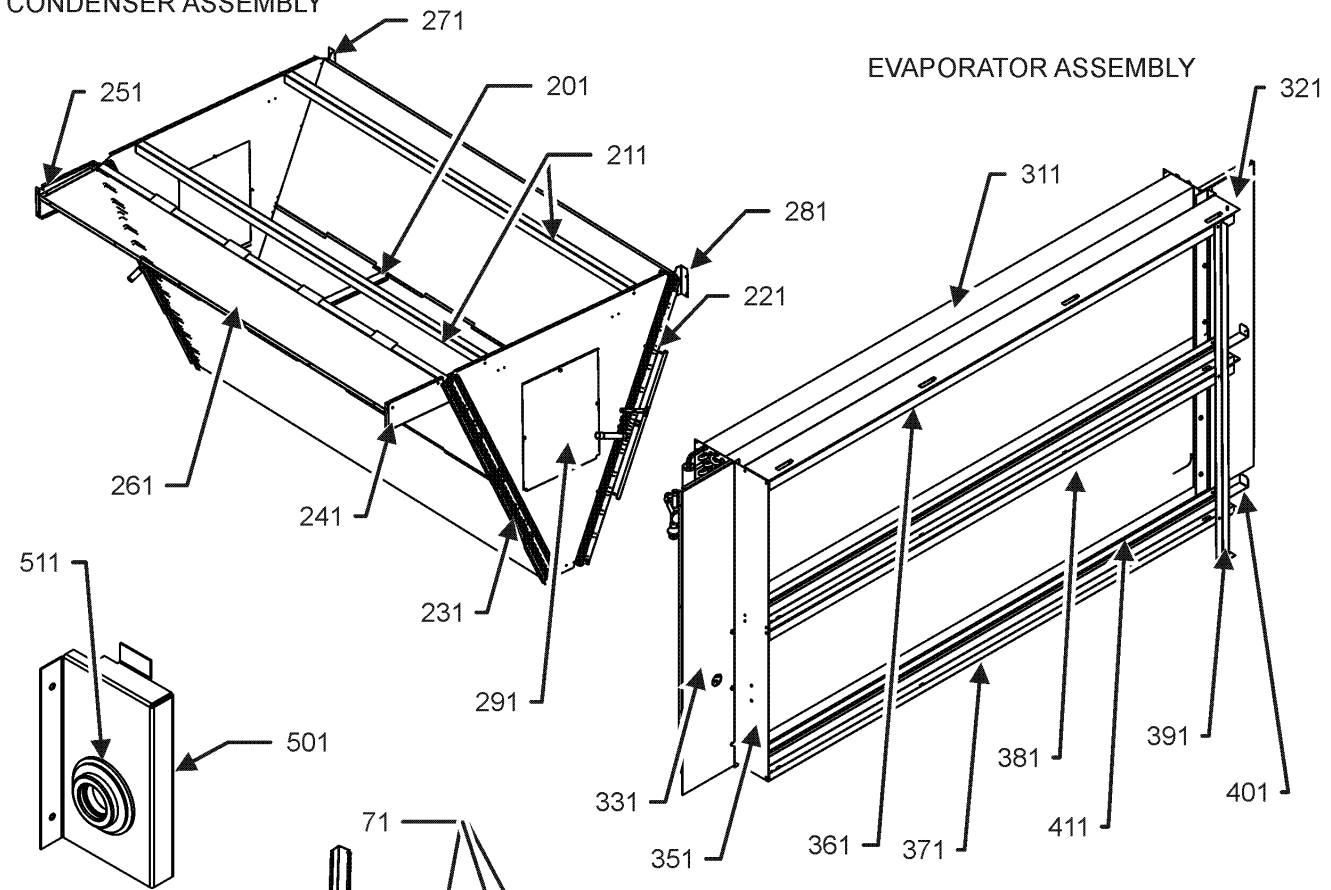
11	0121L01038NG	PNT, TOP-FAN, CONTROL SIDE
21	0121L01039NG	PNT, TOP-FAN, CENTER
31	0121L01040NG	PNT, TOP-FAN, EVAP SIDE
41	0152G00003	FAN GRILLE (QTY 3)
51	17788000083F	Conduit Pvc (QTY 3)
61	0161L00000	VENTURI RING 22" (QTY 3)
71	10625733	FAN BLADE 22" ALUM CCW (QTY 3)
81	0163M00006P	ACORN NUT 5/16 HEX BLACK (QTY 12)
91	0163M00005P	WASHER BLACK (.50 OD .218ID) (QTY 12)
101	0163M00004	SCREW #10X3/4", BLACK (QTY 24)
131	0131L00064	MOTOR, COND, 1/3 HP, 208/230V (M6)
131	0131M00907	MOTOR, HP, 1/3, OD (M8, M9, M10, M11, M12, M13, M14)
131	0131M00908	MOTOR, HP, 1/3, OD, LAK (M15, M16)
131	0131M00906	MOTOR, HP, 1/3, SP, 1, PL, 6 (M1, M2, M3, M4, M5, M7)
211	0121L00693NG	TOP, CONTROL SIDE
221	0121L00694NG	TOP, EVAP SIDE
NS	M0272803	WASHER-LOCK (QTY 3)

**Expanded Model Nomenclature**

M1 - DCG2404003WRXNBA
M2 - DCG2404003WVBXBA
M3 - DCG2404003WVDXBA
M4 - DCG2404003WXDXBA
M5 - DCG2404003WXXKABA
M6 - DCG2404003WXXMCBA
M7 - DCG2404003WXXXBA
M8 - DCG2404004WHSNBA
M9 - DCG2404004WJXXBA
M10 - DCG2404004WRXXBA
M11 - DCG2404004WVDXBA
M12 - DCG2404004WVXBBA
M13 - DCG2404004WXXGABA
M14 - DCG2404004WXXXBA
M15 - DCG2404007WRSABA
M16 - DCG2404007WVXXBA

# Condenser, Evaporator and Partition Assy

## CONDENSER ASSEMBLY

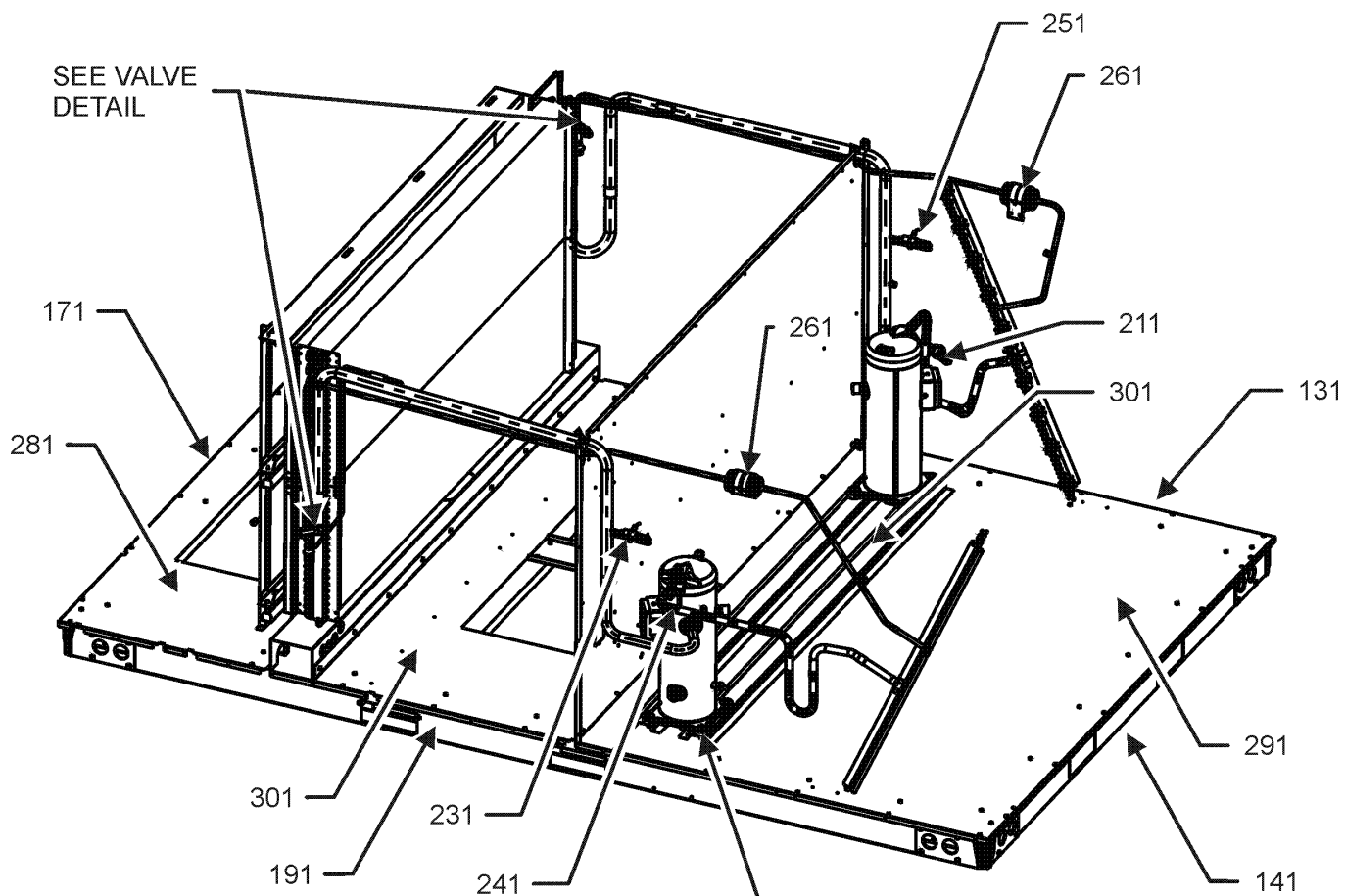


## PARTITION ASSEMBLY

# Condenser, Evaporator and Partition Assy

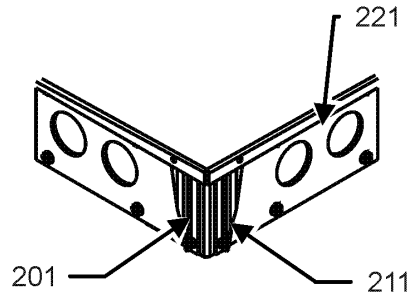
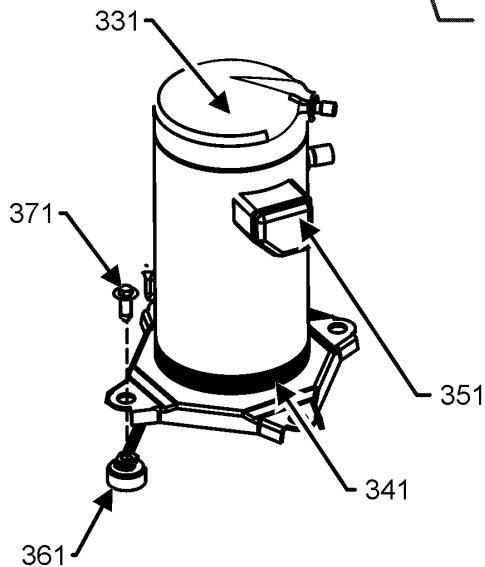
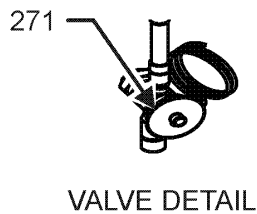
Ref. Part No: No:	Description:	Ref. Part No: No:	Description:
<b>Image 1:</b>		<b>Expanded Model Nomenclature</b>	
31	0121L01163 DECK, SIDE DUCT END	M1	- DCG2404003WRXNBA
41	0121L01162 DECK, SIDE HEAT END	M2	- DCG2404003WV BXBA
51	0121L01160 BLOWER DECK, EVAP SIDE	M3	- DCG2404003WV DXBA
61	0121L01161 BLOWER DECK, MOTOR SIDE	M4	- DCG2404003WXDXBA
71	0121L01431 ANGLE, MOTOR MOUNT (QTY 3)	M5	- DCG2404003WXKABA
91	0121L00478 BLOWER DECK RAIL (QTY 2)	M6	- DCG2404003WXM CBA
101	0270L00612DG DRAIN PAN	M7	- DCG2404003WXXXBA
111	0121L00551 HEAT EXCHANGER ANGLE, RH SIDE	M8	- DCG2404004WHSNBA
121	0121L00552 HEAT EXCHANGER ANGLE, LH SIDE	M9	- DCG2404004WJXXBA
131	0121L00553 LOWER HEAT EXCHANGER ANGLE (QTY 2)	M10	- DCG2404004WRXXBA
141	0121L00913 BRACKET-COND/BASEPAN (QTY 2)	M11	- DCG2404004WV DXBA
151	0121L01158 SHIELD, BLOWOFF	M12	- DCG2404004WV XBBA
161	0121L00481 BLOWER RAIL (QTY 2)	M13	- DCG2404004WXKGBA
201	0121L00901 BRACE-COND COILS (QTY 2)	M14	- DCG2404004WXXXBA
211	0121L01037 ANGLE, TOP BRACE (QTY 2)	M15	- DCG2404007WRSABA
221	0201L00151 CONDENSER COIL ASSY C1	M16	- DCG2404007WV XXBA
231	0201L00152 CONDENSER COIL ASSY C2		
241	0121L01154 BRACKET, CONDENSER END C1		
251	0121L01156 BRACKET, CONDENSER END C2		
261	0121L00572 CONDENSER BLOCKOFF, INSIDE TOP		
271	0121L01155 BRACKET, COND/POST C1		
281	0121L01153 BRACKET, COND/POST C2		
291	0121L00910 COVER-COIL CLEANING (QTY 2)		
311	0202L00047 EVAPORATOR COIL ASSY (QTY 2)		
321	0121L00698 EVAPORATOR BLOCKOFF PANEL		
331	0121L00848 PANEL-EVAPORATOR, SMOKE DET		
351	0121L00933 ANGLE-FILTER, LEFT VERTICAL		
361	0121L01180 TOP ANGLE FILTER		
371	0121L01179 BOTTOM FILTER RACK		
381	0270L00658 CENTER FILTER RACK		
391	0121L00632 FILTER SUPPORT ANGLE		
401	0121L00640 FILTER PULL (QTY 2)		
411	0121L00703 BOTTOM BLOCKOFF, FILTER RACK		
501	0121L00697 GAS VALVE PIPE BRACKET		
511	B1910013 GROMMET, 1-1/8		
NS	0160L00137 FILTER, 20 X 25 X 2, STANDARD (QTY 6)		
NS	0121L00321 SMOKE DETECTOR COVER		

# Compressor and Tubing Assembly



SEE VALVE  
DETAIL

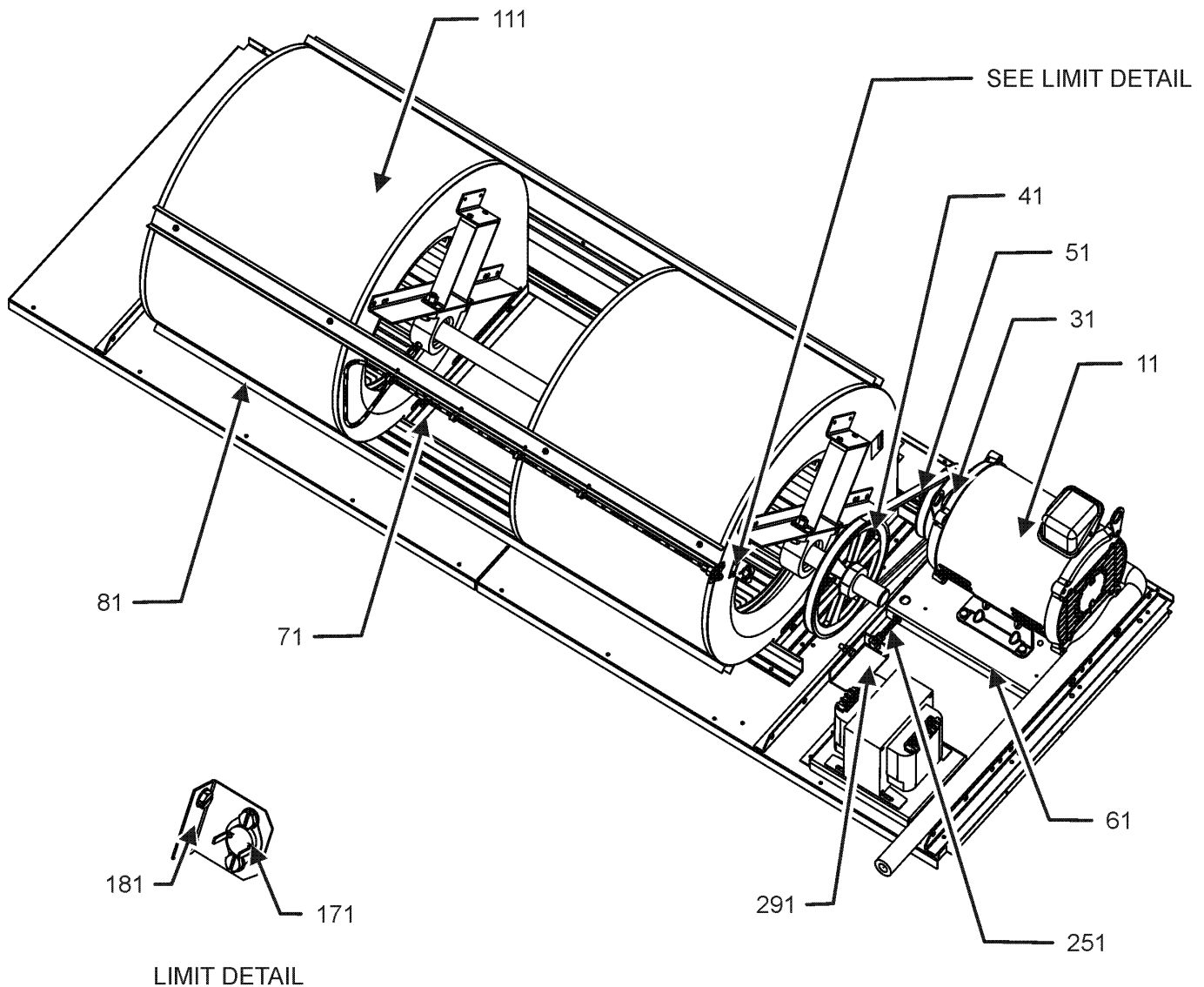
SEE COMPRESSOR  
DETAIL



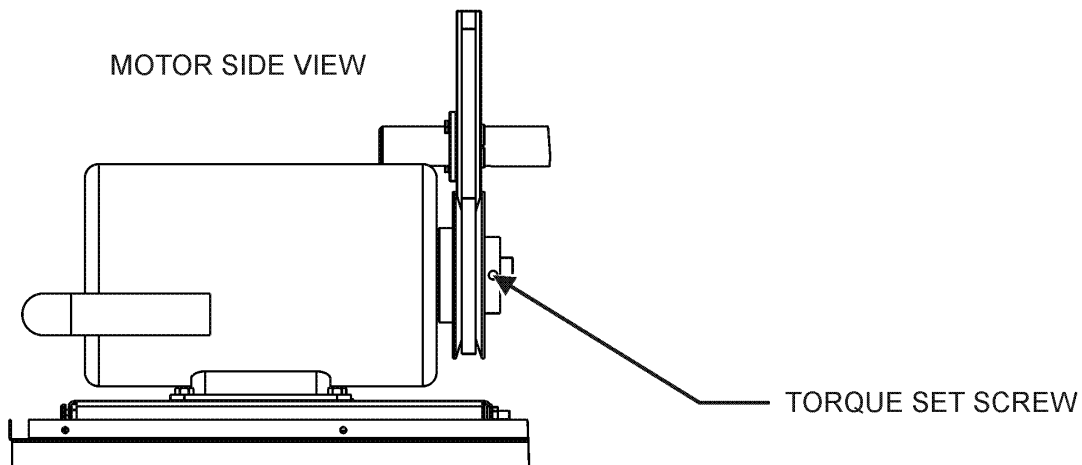
# Compressor and Tubing Assembly

Ref. Part No:	No:	Description:	Ref. Part No:	No:	Description:
<b>Image 1:</b>			<b>Expanded Model Nomenclature</b>		
131	0121L00720	SIDE RAIL	M1	-	DCG2404003WRXNBA
141	0121L00721	BASE RAIL, CONDENSER END (QTY 2)	M2	-	DCG2404003WV BXBA
171	0121L00722	BASE RAIL, ACCESSORY END	M3	-	DCG2404003WV DXBA
181	0121L00625	COMPRESSOR RAIL BRACKET (QTY 4)	M4	-	DCG2404003WXDXBA
191	0121L00719	CONTROL SIDE BASE RAIL	M5	-	DCG2404003WXKABA
211	0130M00074	CUT-OUT SWITCH, HIGH PRESSURE	M6	-	DCG2404003WXM CBA
231	0130M00087	CUT-OUT SWITCH, LOW PRESSURE	M7	-	DCG2404003WXXXBA
241	0130M00074	CUT-OUT SWITCH, HIGH PRESSURE	M8	-	DCG2404004WHSNBA
251	0130M00087	CUT-OUT SWITCH, LOW PRESSURE	M9	-	DCG2404004WJXXBA
261	0151M00012	BI-FLOW FILTER DRIER	M10	-	DCG2404004WRXXBA
271	0151L00011	VALVE, TXV R-410A (QTY 8)	M11	-	DCG2404004WV DXBA
281	0270L00189	BASEPAN WELDMENT, RETURN SIDE	M12	-	DCG2404004WV XBBA
291	0270L00336	BASEPAN WELD, OUTDOOR	M13	-	DCG2404004WXKGBA
301	0121L00948	BASE PAN-SUPPLY	M14	-	DCG2404004WXXXBA
321	0121L00647	MTG RAIL-COMPRESSOR (QTY 2)	M15	-	DCG2404007WRSABA
331	ZP122KCETFD155	COMP, 124000, 460/60/3 (M8, M9, M10, M11, M12, M13, M14)	M16	-	DCG2404007WV XXBA
331	ZP122KCETFE155	COMP, 124000, 575/60/3 (M15, M16)			
331	ZP122KCETF5250	COMP, 124000, 200/230/60/3 (M1, M2, M3, M4, M5, M6, M7)			
341	0130L00019	CRANK CASE HEATER, 70W, 575V (M15, M16)			
341	0130L00017	CRANK CASE HEATER-70W 240V (M1, M2, M3, M4, M5, M6, M7)			
341	0130L00018	CRANK CASE HEATER-70W, 480V (M8, M9, M10, M11, M12, M13, M14)			
351	0159L00072	COMPRESSOR SCROLL HARNESS (M8, M9, M10, M11, M12, M13, M14, M15, M16)			
351	0159L00073	COMPRESSOR SCROLL HARNESS (M8, M9, M10, M11, M12, M13, M14, M15, M16)			
351	0159L00048	HARNESS-COMPRESSOR (M1, M2, M3, M4, M5, M6, M7)			
351	0159L00049	HARNESS-COMPRESSOR (M1, M2, M3, M4, M5, M6, M7)			
361	0164M00018	COMPRESSOR GROMMET (QTY 8)			
371	B1393740	COMPRESSOR BOLT & SLEEVE (QTY 8)			
401	0121L00616	RAIL BRACE ANGLE, RIGHT (QTY 4)			
411	0121L00617	RAIL BRACE ANGLE, LEFT (QTY 4)			
421	0121L00723	BASE RAIL CORNER BRACE (QTY 4)			
NS	0163M00175	CAP WITH O-RING (QTY 4)			
NS	0259L00183	CRANK CASE HEATER WIRE HARNESS			
NS	0141L00029	FORK BOARD (QTY 2)			
NS	0121L00724	FORK BOARD BRACKET (QTY 4)			
NS	0121L00605	FORK BOARD PLATE			

# Blower Assembly



MOTOR SIDE VIEW



# Blower Assembly

Ref. Part No:	Ref. Part No:	Description:	Description:
---------------	---------------	--------------	--------------

**Image 1:**

11	0131L00117	MOTOR, 7.5 H.P. (M1, M2, M3, M4, M5, M6, M7)
11	0131L00118	MOTOR, 7.5 H.P. (M8, M9, M10, M11, M12, M13, M14)
11	0131L00119	MOTOR, 7.5 H.P. (M15, M16)
31	0163L00052	SHEAVE-VARIABLE PITCH
41	0163L00151	SHEAVE, FIXED BK85H
51	0164L00006	FAN BELT-NOTCHED
61	0121L01430	MOTOR BASE
71	0121L00482	BLOWER SIDE ANGLE (QTY 4)
81	0121L00479	BLOWER RAIL (QTY 2)
111	0271L00027	150-15R BD 1.44 TWIN BLOWER
171	0130M00064	LIMIT
181	0121L00594	SECONDARY LIMIT BRACKET
251	0163M00351	BOLT, 3/8-16-6
291	0121L01429	BRACKET, DRIVE SCREW
NS	0163M00352	3/8-16 JAM NUT
NS	0163M00084	HEX LOCKNUT, NYLON INSERT
NS	0163M00085	WASHER (QTY 4)

**Expanded Model Nomenclature**

M1 - DCG2404003WRXNBA
M2 - DCG2404003WVBXBA
M3 - DCG2404003WVDXBA
M4 - DCG2404003WDXBA
M5 - DCG2404003WXKABA
M6 - DCG2404003WXMABA
M7 - DCG2404003WXXXBA
M8 - DCG2404004WHSNBA
M9 - DCG2404004WJXXBA
M10 - DCG2404004WRXXBA
M11 - DCG2404004WVDXBA
M12 - DCG2404004WVXBBA
M13 - DCG2404004WXKGBA
M14 - DCG2404004WXXXBA
M15 - DCG2404007WRSABA
M16 - DCG2404007WVXXBA

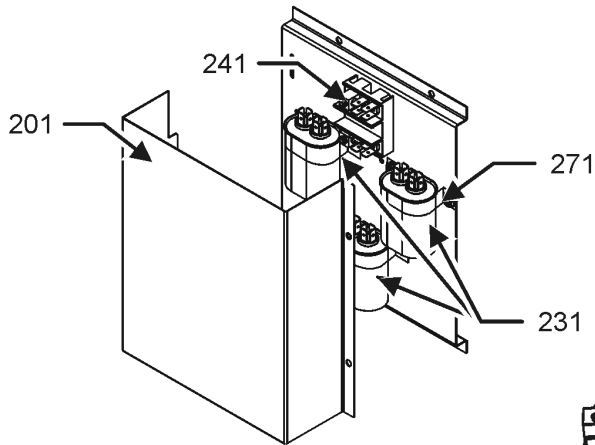
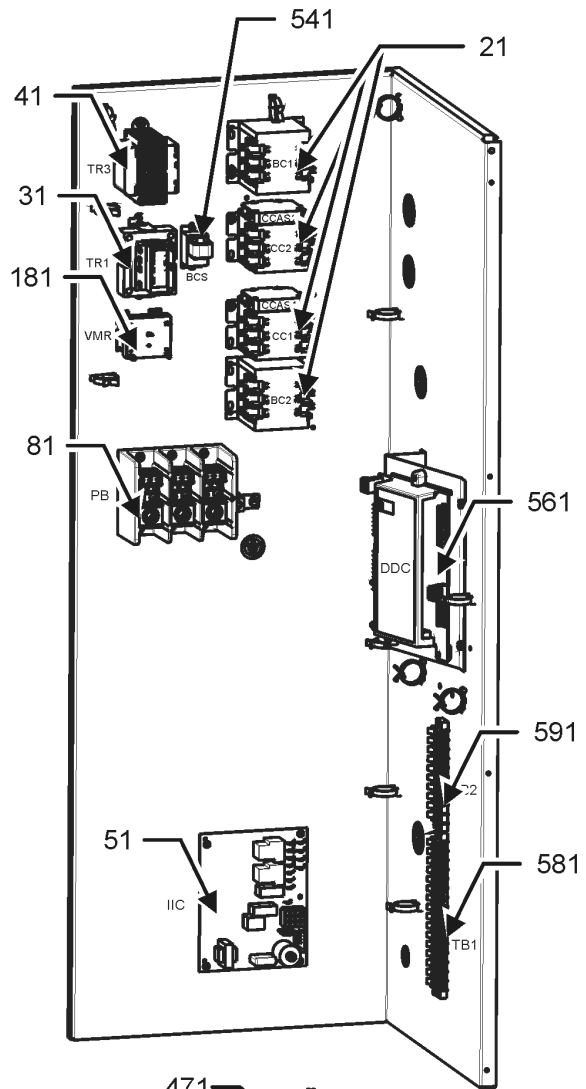
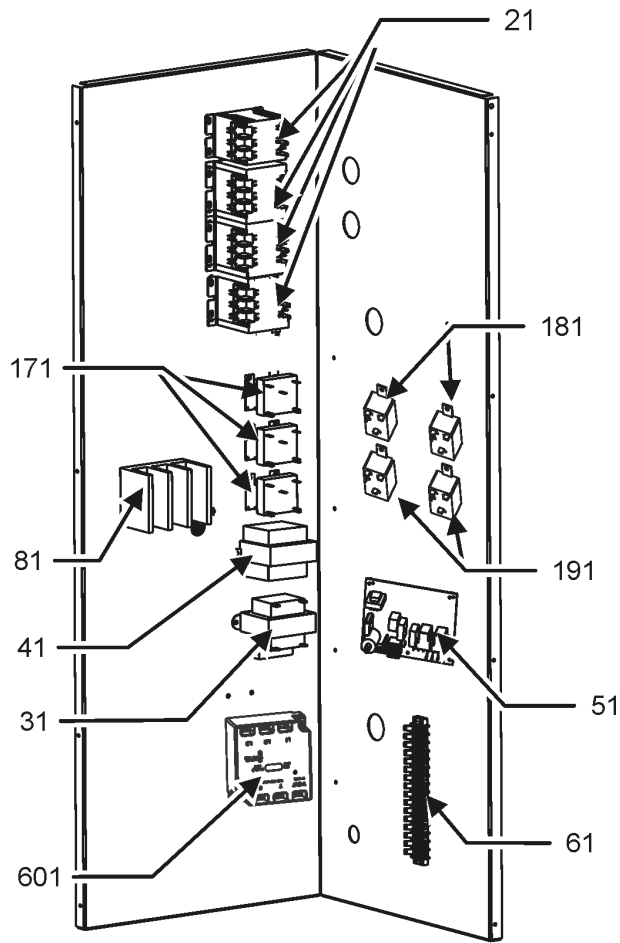


# Heat Exchange Assembly

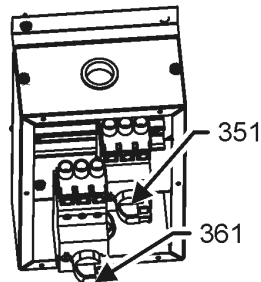
Ref. Part No:	Ref. Part No:	Description:	Description:
<b>Image 1:</b>		<b>Expanded Model Nomenclature</b>	
41	0154L00025	GASKET-COVER REAR 8	M1 - DCG2404003WRXNBA
51	0121L00545	COVER-REAR 8 TUBE	M2 - DCG2404003WVBXBA
91	0131L00014	MOTOR-ID VENT	M3 - DCG2404003WVDXBA
101	0270L00186	PARTITION TUBE ASSY 8B (M1, M2, M3, M4, M6, M7, M9, M10, M11, M12, M14, M16)	M4 - DCG2404003WDXBA
101	0270L00221	PARTITION TUBE ASSY-8B SS (M5, M8, M13, M15)	M5 - DCG2404003WXXKABA
181	0154L00026	INNER COLLECTOR BOX GASKET	M6 - DCG2404003WXMCA
191	0154L00027	OUTER COLLECTOR BOX GASKET	M7 - DCG2404003WXXXBA
201	0121L00550	COVER-COLLECTOR BOX 8	M8 - DCG2404004WHSNBA
211	0121L00546	CHANNEL-COLLECTOR BOX 8	M9 - DCG2404004WJXXBA
251	0154L00029	ID BLOWER GASKET	M10 - DCG2404004WRXXBA
261	0121L00668	FLUE WRAPPER, BACK	M11 - DCG2404004WVDXBA
281	20162903	PRIMARY LIMIT - BLUE	M12 - DCG2404004WVXBBA
301	11112501	PRESSURE SWITCH	M13 - DCG2404004WXXGABA
311	A3468601	PRESSURE SWITCH HOSE	M14 - DCG2404004WXXXBA
321	10123529	MANUAL RESET LIMIT	M15 - DCG2404007WRSABA
331	0121L00053	FLAME ROLLOUT BRACKET	M16 - DCG2404007WVXXBA
341	0121L00548	PLATE-TUBE PANEL 8	
351	0154L00028	GASKET-TUBE PANEL 8	
381	0121L00930	SUPPORT-HEAT TUBES 2.25	
401	0121L00670	FLUE WRAPPER EXIT (M5, M8, M13, M15)	
401	0121L02100	FLUE WRAPPER EXIT (M1, M2, M3, M4, M6, M7, M9, M10, M11, M12, M14, M16)	
411	0121L00671	FLUE COVER EXIT	
431	0121L00669	FLUE COVER, FRONT	
441	0121L00808	SUPPORT-HEAT TUBES 2.25	
451	0121L00823	BRACKET-TUBE SUPPORT (QTY 2)	
511	20261709	IGNITOR	
521	0151M00015	VALVE, GAS (HW) VR83	
531	0163L00014	ORIFICE (QTY 8)	
541	0130F00010	FLAME SENSOR	
561	0163L00033	MANIFOLD-GAS, 8 BURNER	
571	0163L00000	BECKETT BURNER (QTY 8)	
581	0121L00635	BRACKET-8 BURNERS	
591	0121G00268	BRACKET-BURNER TOP/BOT (QTY 2)	
NS	0163L00040	FLUE SCREEN	

# Control Panel Assembly

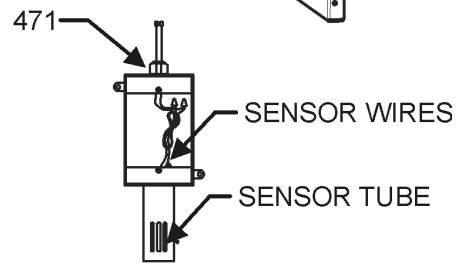
## CONTROL PANEL FOR MODELS WITH DDC CONTROL



CAPACITOR ASSEMBLY



CIRCUIT BREAKER ASSEMBLY



OUTDOOR AIR TEMP SENSOR

# Control Panel Assembly

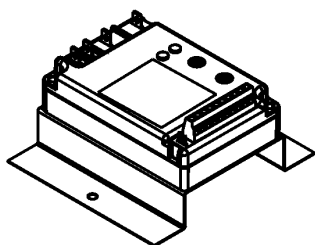
Ref. Part No:	Ref. Part No:	Description:	Description:
<b>Image 1:</b>		<b>Image 1:</b>	
21	CONT3P030024V	CONT, 3 POLE, 30 AMP, 24 VAC (M8, M9, M10, M11, M12, M13, M14, M15, M16)	NS 0259L00171 TRANSFORMER HARNESS
21	CONT3P040024V	CONT, 3 POLE, 40 AMP, 24 VAC (M1, M2, M3, M4, M5, M6, M7)	NS 0259L00189 TRANSFORMER HARNESS
21	CONT3P050024V	CONT, 3 POLE, 50 AMP, 24 VAC (M1, M2, M3, M4, M5, M6, M7)	NS 0259L00427 WIRE ASSY (M2, M6)
31	0130L00205	TRANSFORMER (M1, M2, M3, M4, M5, M6, M7)	NS 0259L00428 WIRE ASSY (M2, M6)
31	0130L00206	TRANSFORMER (M8, M9, M10, M11, M12, M13, M14)	NS 0259L00169 WIRE HARNESS ASSY
31	0130L00207	TRANSFORMER (M15, M16)	NS 0259L00175 WIRE HARNESS ASSY
41	0130M00596	TRANS, 150VA, 480V TO 230V (M8, M9, M10, M11, M12, M13, M14)	NS 0259L00193 WIRE HARNESS, ECONOMIZER
41	0130M00597	TRANS, 150VA, 575V TO 230V (M15, M16)	<b>Expanded Model Nomenclature</b> M1 - DCG2404003WRXNBA M2 - DCG2404003WVBXBA M3 - DCG2404003WVDXBA M4 - DCG2404003WXDXBA M5 - DCG2404003WXKABA M6 - DCG2404003WXMCSBA M7 - DCG2404003WXXXBA M8 - DCG2404004WHSNBA M9 - DCG2404004WJXXBA M10 - DCG2404004WRXXBA M11 - DCG2404004WVDXBA M12 - DCG2404004WVXBBA M13 - DCG2404004WXKGBA M14 - DCG2404004WXXXBA M15 - DCG2404007WRSABA M16 - DCG2404007WVXXBA
51	PCBAG123	IGNITION BOARD, DSI INTEGRATED	
61	0130M00038	TERMINAL BOARD	
81	0130M00042	POWER BLOCK	
171	0130M00242	RELAY, 24V (QTY 2)	
181	0130M00025	24V RELAY (QTY 3)	
191	10135604	RELAY (QTY 2)	
201	0121L00586	CAPACITOR COVER	
231	CAP050000440LA	CAPACITOR (M15, M16)	
231	CAP100000370LA	CAPACITOR 10/370V (M1, M2, M3, M4, M5, M6, M7, M8, M9, M10, M11, M12, M13, M14)	
241	B1368250	TERMINAL BLOCK (HIGH VOLTAGE)	
271	20520901	CAPACITOR STRAP (QTY 3)	
351	0130L00084	ROTARY MANUAL MOTOR PROTECTOR (M8, M9, M10, M11, M12, M13, M14, M15, M16)	
351	0130L00085	ROTARY MANUAL MOTOR PROTECTOR (M1, M2, M3, M4, M5, M6, M7)	
361	0130L00082	ROTARY MANUAL MOTOR PROTECTOR (M8, M9, M10, M11, M12, M13, M14, M15, M16)	
361	0130L00086	ROTARY MANUAL MOTOR PROTECTOR (M1, M2, M3, M4, M5, M6, M7)	
471	0130L00108	OD Air Temp Sensor (M1, M10, M15)	
541	0259L00368	CURRENT SWITCH WITH TERMS (M1, M10, M15)	
561	PCBCG103	PCB, CONTROL, HP, GAS ,AC (M1, M10, M15)	
581	0130M00275	TERMINAL BOARD (M1, M10, M15)	
591	0130M00274	TERMINAL BOARD (M1, M10, M15)	
601	0130L00105	PHASE MONITOR (M2, M6)	
NS	0130M00249	AUXILLARY SWITCH (M1, M10, M15)	
NS	0259L00185	BLOWER RELAY HARNESS	
NS	0259L00186	BLOWER RELAY HARNESS	
NS	0259L00190	CIRCUIT BREAKER HARNESS	
NS	0259L00118	CONDENSER FAN HARNESS, LONG	
NS	0259L00117	CONDENSER FAN HARNESS, MEDIUM	
NS	0259L00116	CONDENSER FAN HARNESS, SHORT	
NS	0259L00183	CRANK CASE HEATER WIRE HARNESS	
NS	0130L00112	Duct Temp Sensor (M1, M10, M15)	
NS	0159L00052	HARNESS JUMPER LONG	
NS	0259L00134	HARNESS, 12 PIN GAS	
NS	0159L00051	HARNESS, JUMPER SHORT	
NS	0259L00181	HARNESS-BELT DRIVE 2 SP MOTOR	
NS	0259L00187	ISO RELAY HARNESS	
NS	0130L00107	ROOM SENSOR (M1, M10, M15)	
NS	0259L00188	TERMINAL BOARD HARNESS	

# Accessory Parts List

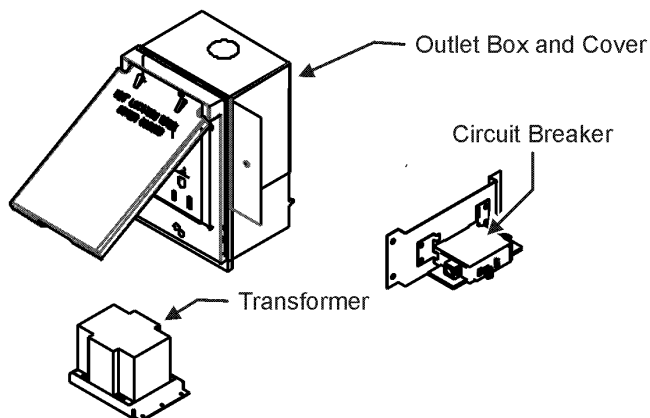
## ACCESSORY PARTS LIST

NOTE: NOT ALL OPTIONS AVAILABLE FOR ALL PRODUCTS

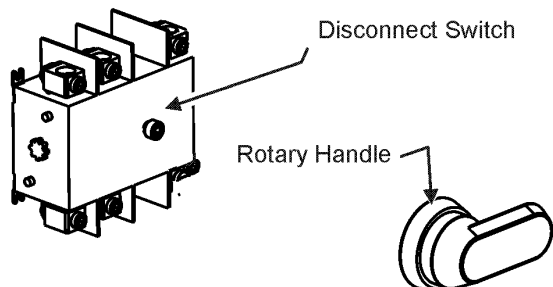
### 1 LOW AMBIENT KITS



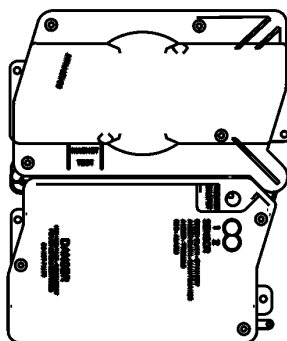
### 2 GFCI CONVENIENCE OUTLET



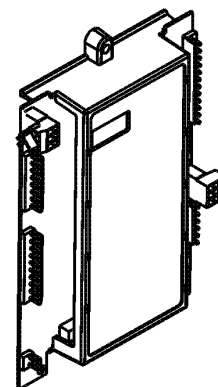
### 3 DISCONNECT MODULE (NON-FUSED)



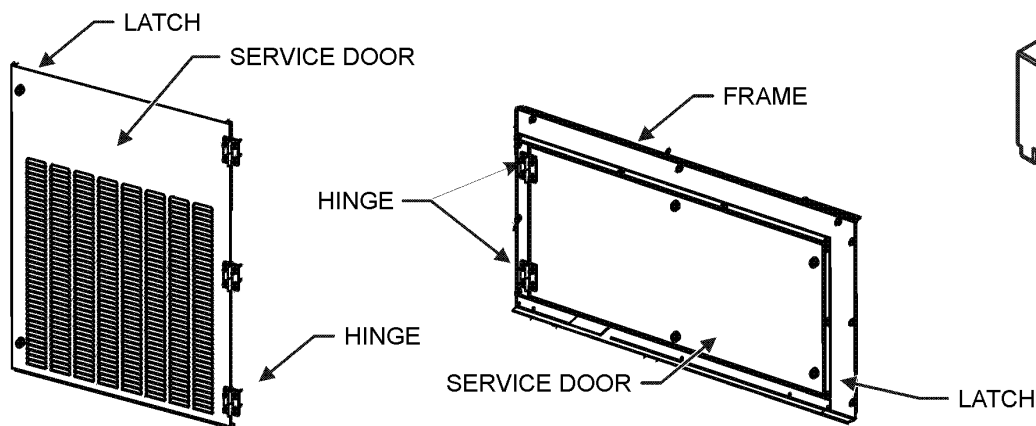
### 4 SMOKE DETECTORS



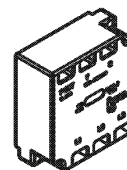
### 5 DDC CONTROL



### 6 HINGED DOOR ASSEMBLIES



### 7 PHASE MONITOR



# Accessory Parts List

Ref. Part No:	Description:	Ref. Part No:	Description:
<b>Image 1:</b>		<b>Expanded Model Nomenclature</b>	
NS DDNECNJ180300B	15-25 TON DFLOW ECON (M2, M3, M11, M12, M16)	M1 - DCG2404003WRXNBA	
NS 1036611B	15-25T DFLOW ECON, DDC (M9)	M2 - DCG2404003WVBXBA	
NS 10366D11B	15-25T DFLOW ECON, DDC (M1, M10, M15)	M3 - DCG2404003WVDXBA	
NS 0121L00855	BRACKET- DISCONNECT SWITCH (M1, M8, M15)	M4 - DCG2404003WDXBA	
NS 0121L00316	BRACKET-CONV OUTLET MOUNT (M1, M5, M8, M12, M13, M15)	M5 - DCG2404003WXXKABA	
NS 0121L01053	BRACKET-SMOKE DETECTOR (M1, M8, M13)	M6 - DCG2404003WXXMCBA	
NS 0130M00065	CIRCUIT BREAKER, CONVENIENCE OUTLET (M1, M8, M12)	M7 - DCG2404003WXXXBBA	
NS 0121L01603NG	CONTROL DOOR (M3, M4, M5, M6, M11, M13)	M8 - DCG2404004WHSNBA	
NS 0121L00839NG	DISCONNECT COVER (M1, M8, M9, M10, M15)	M9 - DCG2404004WJXXBA	
NS 0121L01601NG	FILTER DOOR (M3, M4, M5, M6, M11, M13)	M10 - DCG2404004WRXXBA	
NS 0130L00012	GANG BOX-GFCI OUTLET (M1, M5, M8, M12, M13, M15)	M11 - DCG2404004WVDXBA	
NS 0130L00039	HANDLE, ROTARY (M1, M8, M9, M10, M15)	M12 - DCG2404004WVXBBA	
NS 0163M00307	HINGE, LEFT HAND (M3, M4, M5, M6, M11, M13)	M13 - DCG2404004WXXKGBA	
NS 0163M00360	LATCH (M3, M4, M5, M6, M11, M13)	M14 - DCG2404004WXXXBBA	
NS 0130M00059	LOW AMBIENT KIT (M6)	M15 - DCG2404007WRSABA	
NS 0121L01486NG	PNT, SERVICE DOOR BACK BLOWER (M3, M4, M5, M6, M11, M13)	M16 - DCG2404007WVXXBA	
NS 0121L01485NG	PNT, SERVICE DOOR FRONT BLOWER (M3, M4, M5, M6, M11, M13)		
NS 0161G00012	POWER OUTLET BOX (M1, M5, M8, M12, M13, M15)		
NS 0130L00103	RECEPTACLE-GFCI OUTLET (M1, M5, M8, M12, M13, M15)		
NS 0121L01484NG	SERVICE DOOR FRAME, BLOWER (M3, M4, M5, M6, M11, M13)		
NS 0130L00043	SHAFT, CUT (M1)		
NS 0130L00059	SHAFT, CUT (M8, M15)		
NS 0130L00049	SHAFT, DISCONNECT (M1, M8, M9, M10, M15)		
NS D4120	SMOKE DETECTOR, PHOTO 4WIRE (M1, M8, M13)		
NS 0130L00033	SWITCH-DISCONNECT 200A (M1)		
NS 0130L00046	SWITCH-DISCONNECT 60A (M8, M9, M10, M15)		
NS 0130M00061	TRANSFORMER, CONVENIENCE OUTLET (M1, M8, M12)		