

Commercial 15 Ton 2-Speed High Static Package Gas Unit

DCG1803503WHXAAA
DCG1803503WRXXAA
DCG1803503WVBXAA
DCG1803503WVDXAA
DCG1803503WXDXAA
DCG1803503WXKAAA
DCG1803504WHSBAB
DCG1803504WHXAAB
DCG1803504WHXXAB
DCG1803504WJDDAB
DCG1803504WVDXAB
DCG1803504WVXBAB
DCG1803504WXBAAB
DCG1803504WXBBAB
DCG1803504WXKGAB
DCG1803504WXXXAB
DCG1803507WRSBAB
DCG1803507WXXXAB



This manual is to be used by qualified technicians only.

This manual replaces RP-D1220C.

Important Information

Index

Functional Parts List	3
Illustration and Parts	4 - 19

Views shown are for parts illustrations only, not servicing procedures

Text Codes:

AR - As Required

NA - Not Available

NS - Not Shown

00000000 - See Note

QTY - Quantity Example (QTY 3) (If Quantity not shown, Quantity = 1)

M - Model Example (M1) (If M Code not shown, then part is used on all Models)

Expanded Model Nomenclature:

Example M1 - Model#1 M2 - Model#2 M3 - Model#3

Daikin Company, L.P. is not responsible for personal injury or property damage resulting from improper service. Review all service information before beginning repairs.

Warranty service must be performed by an authorized technician, using authorized factory parts. If service is required after the warranty expires, Daikin Company, L.P. also recommends contacting an authorized technician and using authorized factory parts.

Daikin Company, L.P. reserves the right to discontinue, or change at any time, specifications or designs without notice or without incurring obligations.

For assistance within the U.S.A. contact:

Equipment Support
Daikin North America, LLC
19001 Kermier Road
Waller, Texas 77484
855-770-5678-Telephone
713-863-2382-Facsimile

For assistance outside the U.S.A. contact:

International Division
Daikin North America, LLC
19001 Kermier Road
Waller, Texas 77484
713-861-2500-Telephone
713-863-2382-Facsimile

Functional Parts

Part

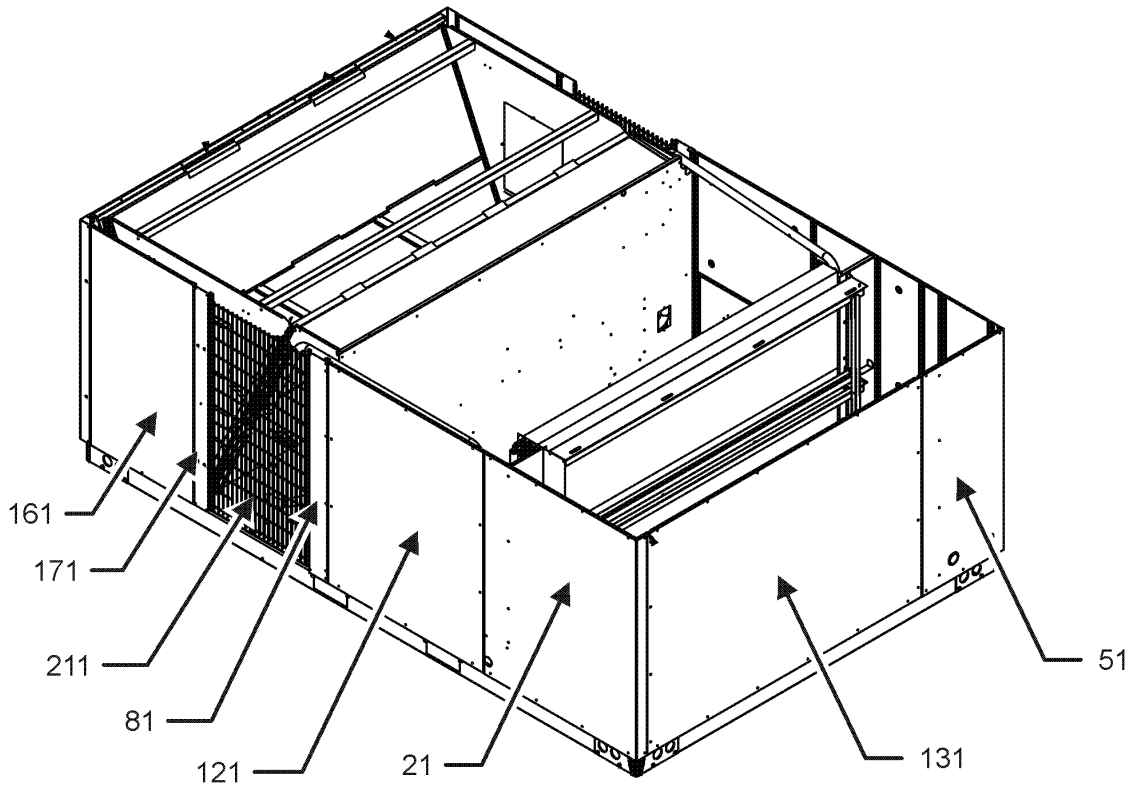
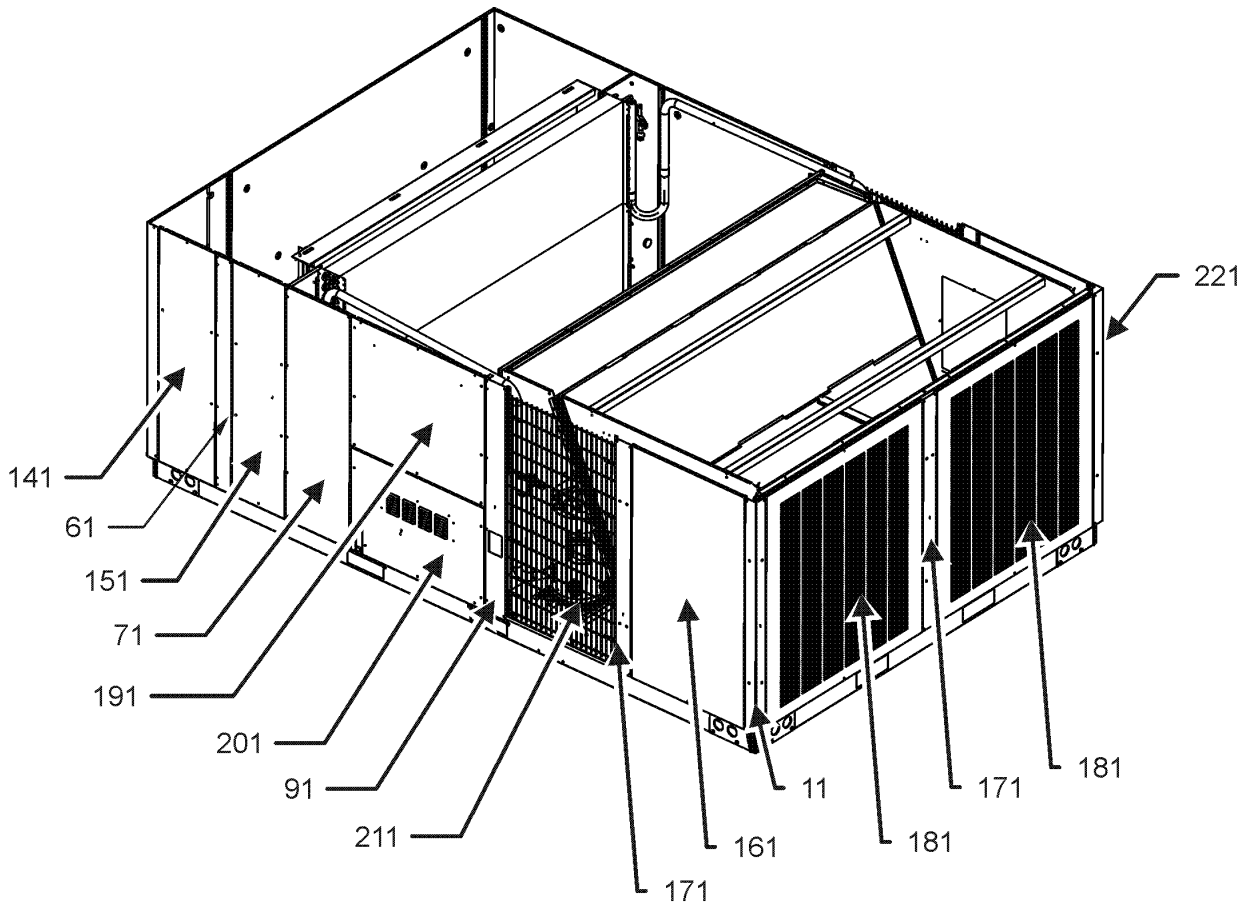
No: Description:

0271L00026	150-12R BD 1.18 TWIN BLOWER
0163L00000	BECKETT BURNER (QTY 7)
CAP100000370LA	CAP, 10 MFD/370V/OVAL (M1, M2, M3, M4, M5, M6, M7, M8, M9, M10, M11, M12, M13, M14, M15, M16)
CAP050000440LA	CAPACITOR (M17, M18)
ZP83KCETF5250	COMP, 83000, 200/230/60/3 (M1, M2, M3, M4, M5, M6)
ZP83KCETFD130	COMP, 83000, 460/60/3 (M7, M8, M9, M10, M11, M12, M13, M14, M15, M16)
ZP83KCETFE130	COMP, 83000, 575/60/3 (M17, M18)
CONT3P030024V	CONTACTOR 30 AMP, 3P, 24V (M7, M8, M9, M10, M11, M12, M13, M14, M15, M16, M17, M18)
CONT3P040024V	CONTACTOR 40 AMP, 3P, 24V (M1, M2, M3, M4, M5, M6)
CONT3P050024V	CONTACTOR 50 AMP, 3P, 24V (M1, M2, M3, M4, M5, M6)
0130L00019	CRANK CASE HEATER, 70W, 575V (M17, M18)
0130L00017	CRANK CASE HEATER-70W 240V (M1, M2, M3, M4, M5, M6)
0130L00018	CRANK CASE HEATER-70W, 480V (M7, M8, M9, M10, M11, M12, M13, M14, M15, M16)
0164L00006	FAN BELT, NOTCHED
10625733	FAN BLADE 22" ALUM CCW (QTY 3)
0130F00010	FLAME SENSOR
0130M00074	HIGH PRESSURE SWITCH
PCBAG123	IGNITION BOARD, DSI INTEGRATED
20261709	IGNITOR
0130M00064	LIMIT
0130M00087	LOW PRESSURE SWITCH
10123529	MANUAL RESET LIMIT
0131L00119	MOTOR, 7.5 H.P. (M17, M18)
0131L00118	MOTOR, 7.5 H.P. (M7, M8, M9, M10, M11, M12, M13, M14, M15, M16)
0131L00117	MOTOR, 7.5 H.P. (M1, M2, M3, M4, M5, M6)
0131M00907	MOTOR, HP, 1/3, OD (M7, M8, M9, M10, M11, M12, M13, M14, M15, M16)
0131M00908	MOTOR, HP, 1/3, OD, LAK (M17, M18)
0131M00906	MOTOR, HP, 1/3, SP, 1, PL, 6 (M1, M2, M3, M4, M5, M6)
11112501	PRESSURE SWITCH
20162904	PRIMARY LIMIT-TEMPERATURE CONTROL
10135604	RELAY (QTY 2)
0130M00038	TERMINAL BOARD
0130M00596	TRANS, 150VA, 480V TO 230V (M7, M8, M9, M10, M11, M12, M13, M14, M15, M16)
0130M00597	TRANS, 150VA, 575V TO 230V (M17, M18)
0130L00205	TRANSFORMER (M1, M2, M3, M4, M5, M6)
0130L00206	TRANSFORMER (M7, M8, M9, M10, M11, M12, M13, M14, M15, M16)
0130L00207	TRANSFORMER (M17, M18)
0151M00015	VALVE, GAS (HW) VR83
0151L00011	VALVE, TXV R-410A (QTY 4)

Expanded Model Nomenclature

M1 - DCG1803503WHXAAA
M2 - DCG1803503WRXXAA
M3 - DCG1803503WVBXAA
M4 - DCG1803503WVDXAA
M5 - DCG1803503WDXAAA
M6 - DCG1803503WXKAAA
M7 - DCG1803504WHSBAB
M8 - DCG1803504WHXAAB
M9 - DCG1803504WHXXAB
M10 - DCG1803504WJDDAB
M11 - DCG1803504WVDXAB
M12 - DCG1803504WVXBAB
M13 - DCG1803504WXBAAB
M14 - DCG1803504WXBBAB
M15 - DCG1803504WXKGBAB
M16 - DCG1803504WXXXAB
M17 - DCG1803507WRSAAAB
M18 - DCG1803507WXXXAB

Cabinet Assembly

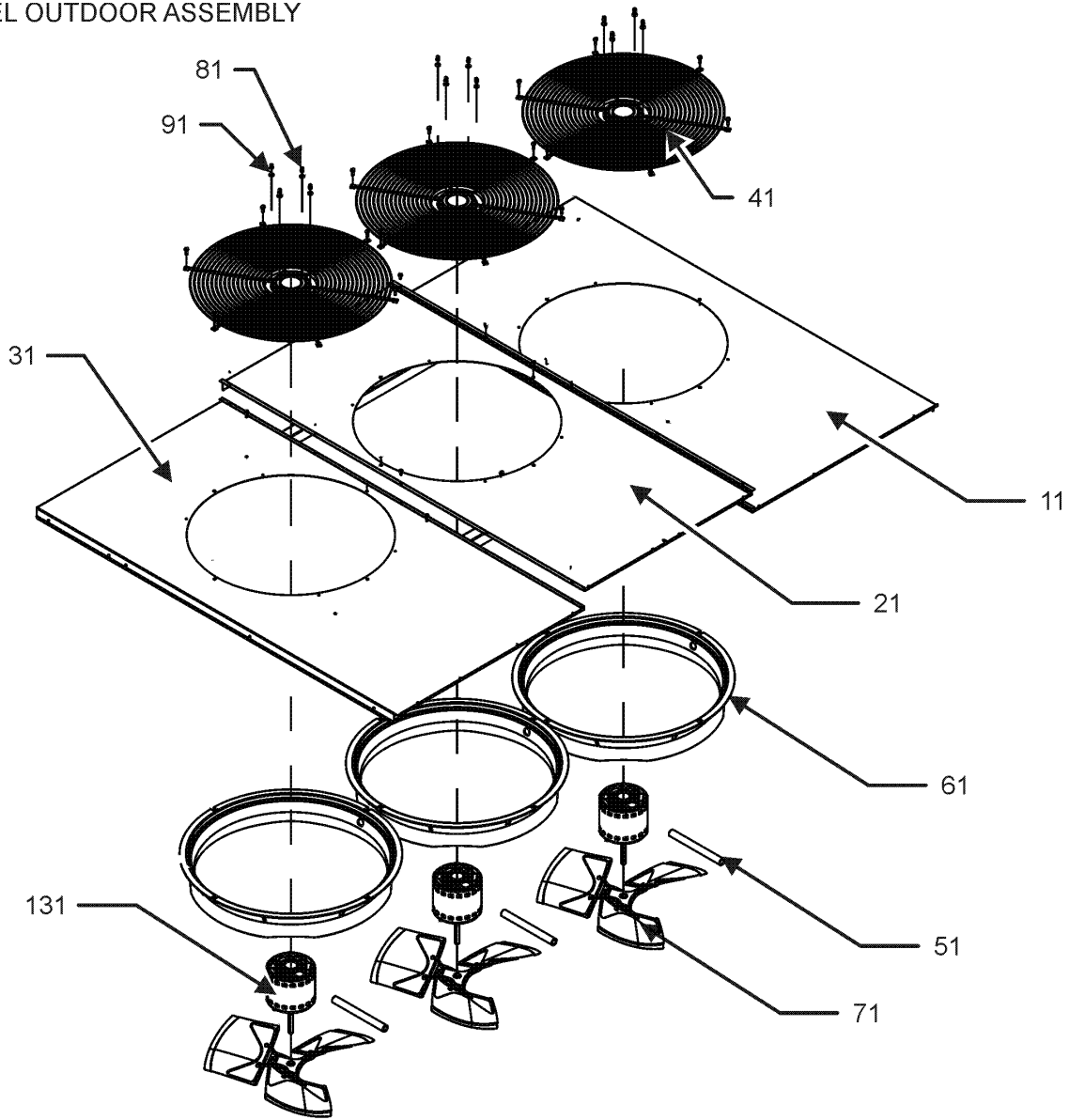


Cabinet Assembly

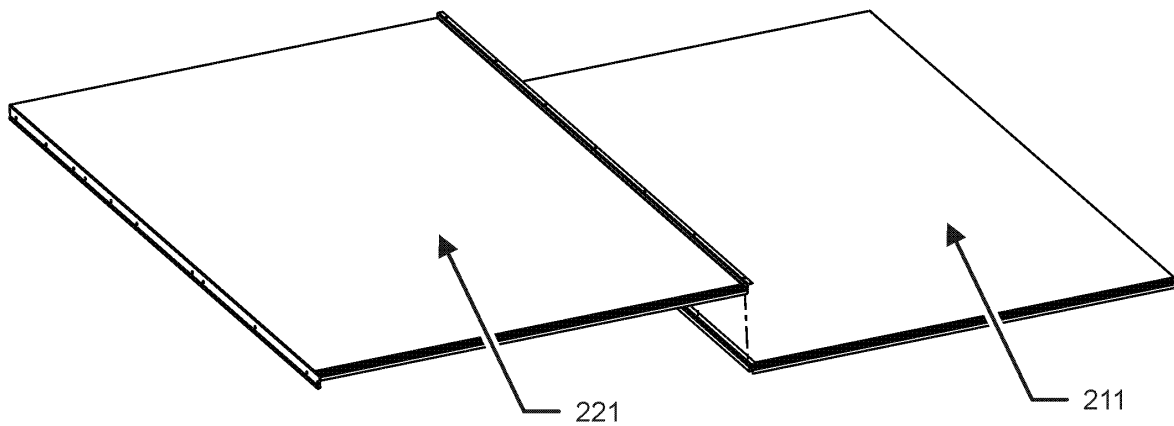
Ref. Part No:	No:	Description:	Ref. Part No:	No:	Description:
Image 1:			Expanded Model Nomenclature		
11	0121L01143NG	CORNER POST (QTY 2)	M1	-	DCG1803503WHXAAA
21	0121L00681NG	EVAP PANEL	M2	-	DCG1803503WRXXAA
51	0121L00679NG	CONTROL CORNER PANEL (M3, M4, M5, M11, M12, M14, M16, M18)	M3	-	DCG1803503WV BXAA
51	0121L00800NG	DUCT PANEL (M1, M2, M7, M8, M9, M10, M17)	M4	-	DCG1803503WV DXAA
51	0121L00742NG	PAINTED CONTROL CORNER (M6, M13, M15)	M5	-	DCG1803503WXDXAA
61	0121L02048NG	PNT, POST-CONTROL /FILTER (M1, M2, M3, M7, M8, M9, M12, M13, M14, M16, M17, M18)	M6	-	DCG1803503WXKAAA
61	0121L01937NG	PNT, POST-CONTROL.FILTER (M4, M5, M6, M10, M11, M15)	M7	-	DCG1803504WHSBAB
71	0121L00710NG	BLOWER DOOR POST (M1, M2, M3, M7, M8, M9, M12, M13, M14, M16, M17, M18)	M8	-	DCG1803504WHXAAB
71	0121L01479NG	BLOWER DOOR POST (M4, M5, M6, M10, M11, M15)	M9	-	DCG1803504WHXXAB
81	0121L00903NG	POST-PARTITION, EVAP SIDE	M10	-	DCG1803504WJDDAB
91	0121L01524NG	POST PARTITION, GAS FLUE (M4, M5, M6, M10, M11, M15)	M11	-	DCG1803504WV DXAB
91	0121L00904NG	POST-PARTITION, GAS FLUE (M1, M2, M3, M7, M8, M9, M12, M13, M14, M16, M17, M18)	M12	-	DCG1803504WV XBAB
121	0121L00685NG	BLOWER DOOR, EVAP SIDE	M13	-	DCG1803504WXBAAB
131	0121L00688NG	ACCESSORY PANEL	M14	-	DCG1803504WXBAB
141	0121L01603NG	CONTROL DOOR (M4, M5, M6, M10, M11, M15)	M15	-	DCG1803504WXKGAB
141	0121L00687NG	PNT, DOOR-CONTROL (M1, M2, M3, M7, M8, M9, M12, M13, M14, M16, M17, M18)	M16	-	DCG1803504WXXXAB
151	0121L00686NG	FILTER DOOR (M1, M2, M3, M7, M8, M9, M12, M13, M14, M16, M17, M18)	M17	-	DCG1803507WRSAAAB
151	0121L01601NG	FILTER DOOR (M4, M5, M6, M10, M11, M15)	M18	-	DCG1803507WXXXAB
161	0121L00907NG	PANEL-CONDENSER SIDE (QTY 2)			
171	0121L01144NG	POST, COND PANEL (QTY 3)			
181	0121L01174NG	PANEL-LOUVER, END (QTY 2)			
191	0121L00713NG	BLOWER DOOR GAS			
201	0121L00712NG	BURNER DOOR			
211	0152L00000	GRILLE-CONDENSER (QTY 2)			
221	0121L00476NG	PNT, TURNBUCKLE, DOOR (QTY 16)			
NS	0121L00562NG	PNT, HOOD-COMBUSTION AIR			
NS	M0204317	SCREW-MACH (QTY 16)			

Top Panel Assembly

TOP PANEL OUTDOOR ASSEMBLY



TOP PANEL INDOOR ASSEMBLY



Top Panel Assembly

Ref. Part No: No:	Description:	Ref. Part No: No:	Description:
-------------------	--------------	-------------------	--------------

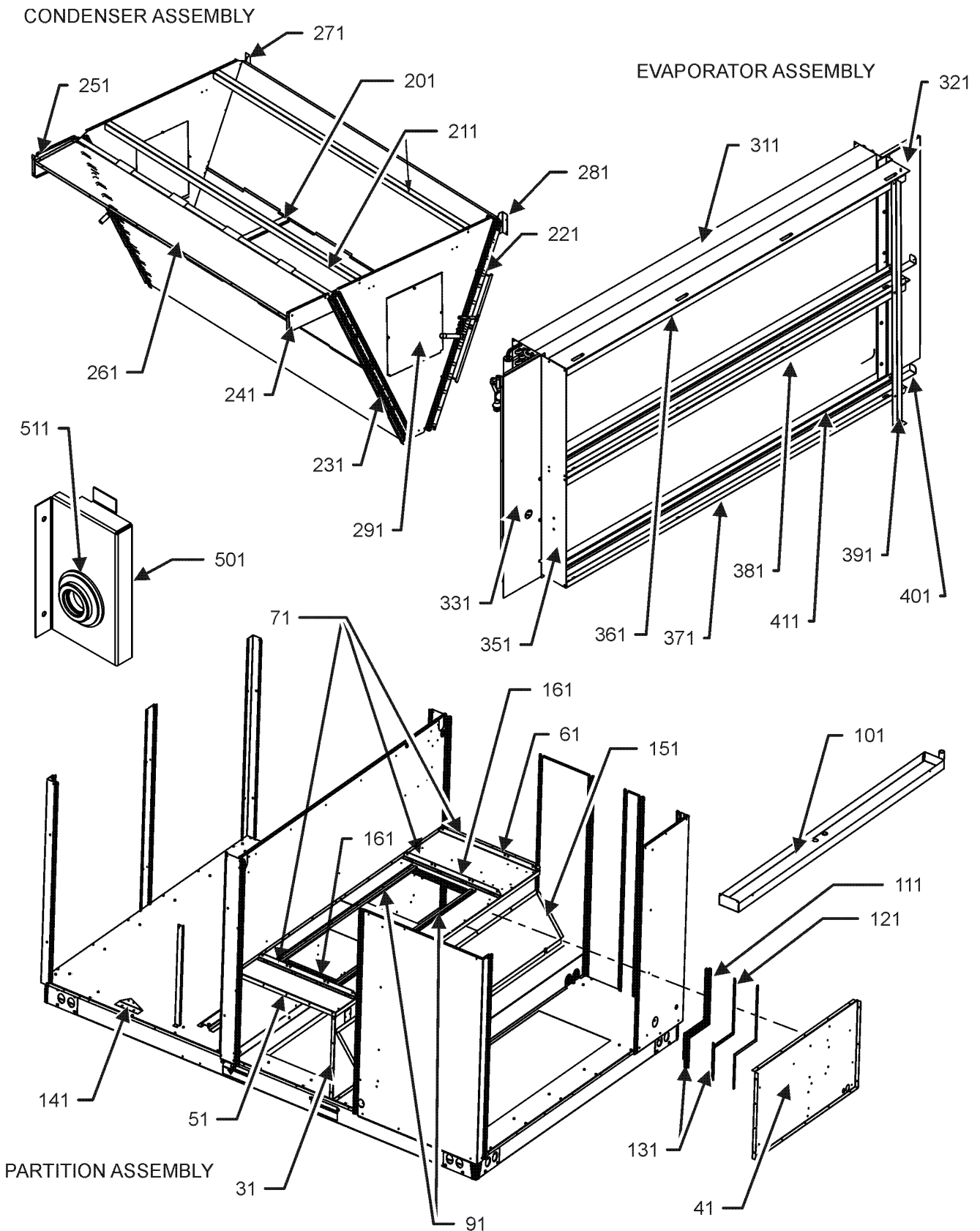
Image 1:

11	0121L01038NG	PNT, TOP-FAN, CONTROL SIDE
21	0121L01039NG	PNT, TOP-FAN, CENTER
31	0121L01040NG	PNT, TOP-FAN, EVAP SIDE
41	0152G00003	FAN GRILLE (QTY 3)
51	17788000083F	PVC CONDUIT 8.25" (QTY 3)
61	0161L00000	VENTURI RING 22" (QTY 3)
71	10625733	FAN BLADE 22" ALUM CCW (QTY 3)
81	0163M00006P	ACORN NUT 5/16 HEX BLACK (QTY 12)
91	0163M00005P	WASHER BLACK (.50 OD .218ID) (QTY 12)
101	0163M00004	SCREW #10X3/4", BLACK (QTY 24)
131	0131M00907	MOTOR, HP, 1/3, OD (M7, M8, M9, M10, M11, M12, M13, M14, M15, M16)
131	0131M00908	MOTOR, HP, 1/3, OD, LAK (M17, M18)
131	0131M00906	MOTOR, HP, 1/3, SP, 1, PL, 6 (M1, M2, M3, M4, M5, M6)
211	0121L00693NG	TOP, CONTROL SIDE
221	0121L00694NG	TOP, EVAP SIDE

Expanded Model Nomenclature

M1 - DCG1803503WHXAAA
M2 - DCG1803503WRXXAA
M3 - DCG1803503WVBXAA
M4 - DCG1803503WVDXAA
M5 - DCG1803503WDXAA
M6 - DCG1803503WXKAAA
M7 - DCG1803504WHSBAB
M8 - DCG1803504WHXAAB
M9 - DCG1803504WHXXAB
M10 - DCG1803504WJDDAB
M11 - DCG1803504WVDXAB
M12 - DCG1803504WVXBAB
M13 - DCG1803504WXBAAB
M14 - DCG1803504WXBBAB
M15 - DCG1803504WXKGAB
M16 - DCG1803504WXXXAB
M17 - DCG1803507WRSAAAB
M18 - DCG1803507WXXXAB

Evaporator, Condenser and Partition Assy

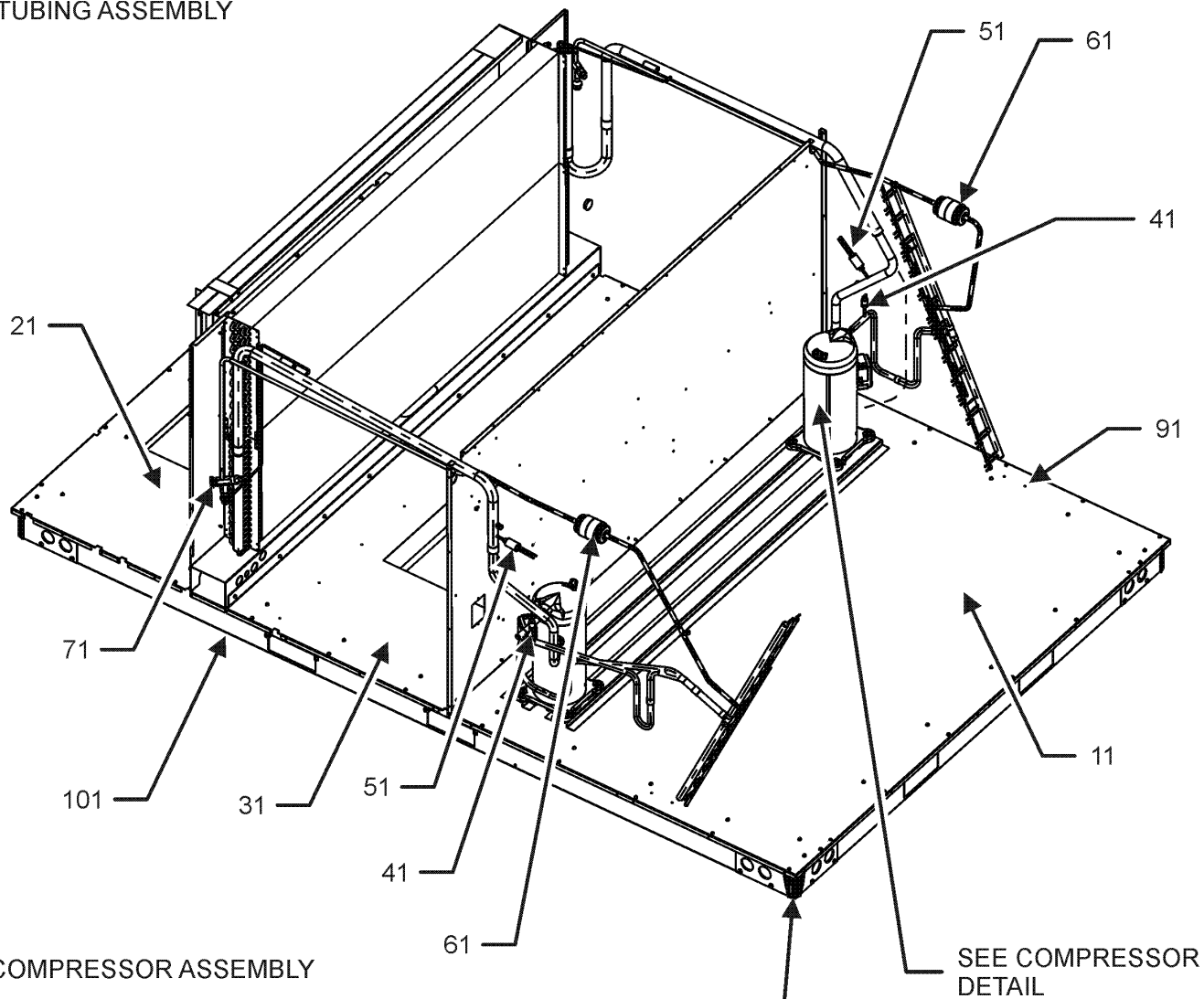


Evaporator, Condenser and Partition Assy

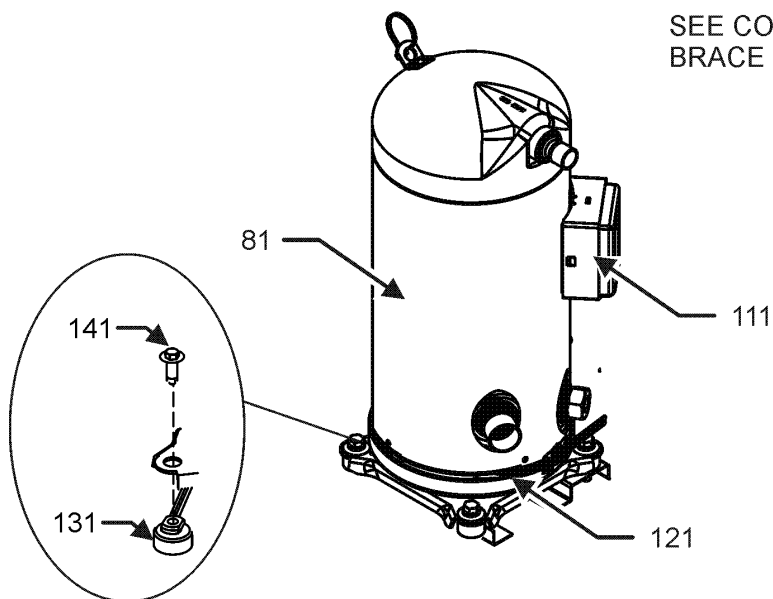
Ref. Part No: No:	Description:	Ref. Part No: No:	Description:
Image 1:		Expanded Model Nomenclature	
31	0121L01163 DECK, SIDE DUCT END	M1	- DCG1803503WHXAAA
41	0121L01162 DECK, SIDE HEAT END	M2	- DCG1803503WRXXAA
51	0121L00652 BLOWER DECK, EVAP SIDE	M3	- DCG1803503WVBXAA
61	0121L00653 BLOWER DECK, MOTOR SIDE	M4	- DCG1803503WVDXAA
71	0121L01431 MOTOR MOUNT ANGLE (QTY 3)	M5	- DCG1803503WDXAA
91	0121L00478 BLOWER DECK RAIL (QTY 2)	M6	- DCG1803503WXKAAA
101	0270L00612DG DRAIN PAN	M7	- DCG1803504WHSBAB
111	0121L00551 HEAT EXCHANGER ANGLE, RH SIDE	M8	- DCG1803504WHXAAB
121	0121L00552 HEAT EXCHANGER ANGLE, LH SIDE	M9	- DCG1803504WHXXAB
131	0121L00553 LOWER HEAT EXCHANGER ANGLE (QTY 2)	M10	- DCG1803504WJDDAB
141	0121L00913 BRACKET-COND/BASEPAN (QTY 2)	M11	- DCG1803504WVDXAB
151	0121L01158 SHIELD, BLOWOFF	M12	- DCG1803504WVXBAB
161	0121L00481 BLOWER RAIL (QTY 2)	M13	- DCG1803504WXBAAB
201	0121L00901 BRACE-COND COILS (QTY 2)	M14	- DCG1803504WXBAB
211	0121L01037 ANGLE, TOP BRACE (QTY 2)	M15	- DCG1803504WXKGAB
221	0201L00123 CONDENSER COIL ASSY, C1	M16	- DCG1803504WXXXAB
231	0201L00124 CONDENSER COIL ASSY C2	M17	- DCG1803507WRSAAAB
241	0121L01154 BRACKET, CONDENSER END C1	M18	- DCG1803507WXXXAB
251	0121L01156 BRACKET, CONDENSER END C2		
261	0121L00572 CONDENSER BLOCKOFF, INSIDE TOP		
271	0121L01155 BRACKET, COND/POST C1		
281	0121L01153 BRACKET, COND/POST C2		
291	0121L00910 COVER-COIL CLEANING (QTY 2)		
311	0202L00047 EVAPORATOR COIL ASSY (QTY 2)		
321	0121L00698 EVAPORATOR BLOCKOFF PANEL		
331	0121L00848 PANEL-EVAPORATOR, SMOKE DET		
351	0121L00933 ANGLE-FILTER, LEFT VERTICAL		
361	0121L01180 TOP ANGLE FILTER		
371	0121L01179 BOTTOM FILTER RACK		
381	0270L00658 CENTER FILTER RACK		
391	0121L00632 FILTER SUPPORT ANGLE		
401	0121L00640 FILTER PULL (QTY 2)		
411	0121L00703 BOTTOM BLOCKOFF, FILTER RACK		
501	0121L00697 GAS VALVE PIPE BRACKET		
511	B1910013 GROMMET, 1-1/8		
NS	0160L00137 FILTER, 20 X 25 X 2, STANDARD (QTY 6)		
NS	0121L00321 SMOKE DETECTOR COVER		

Tubing and Compressor Assembly

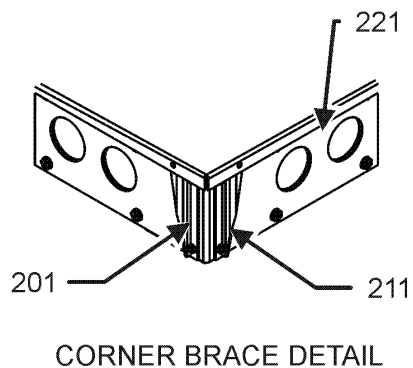
TUBING ASSEMBLY



COMPRESSOR ASSEMBLY



COMPRESSOR DETAIL

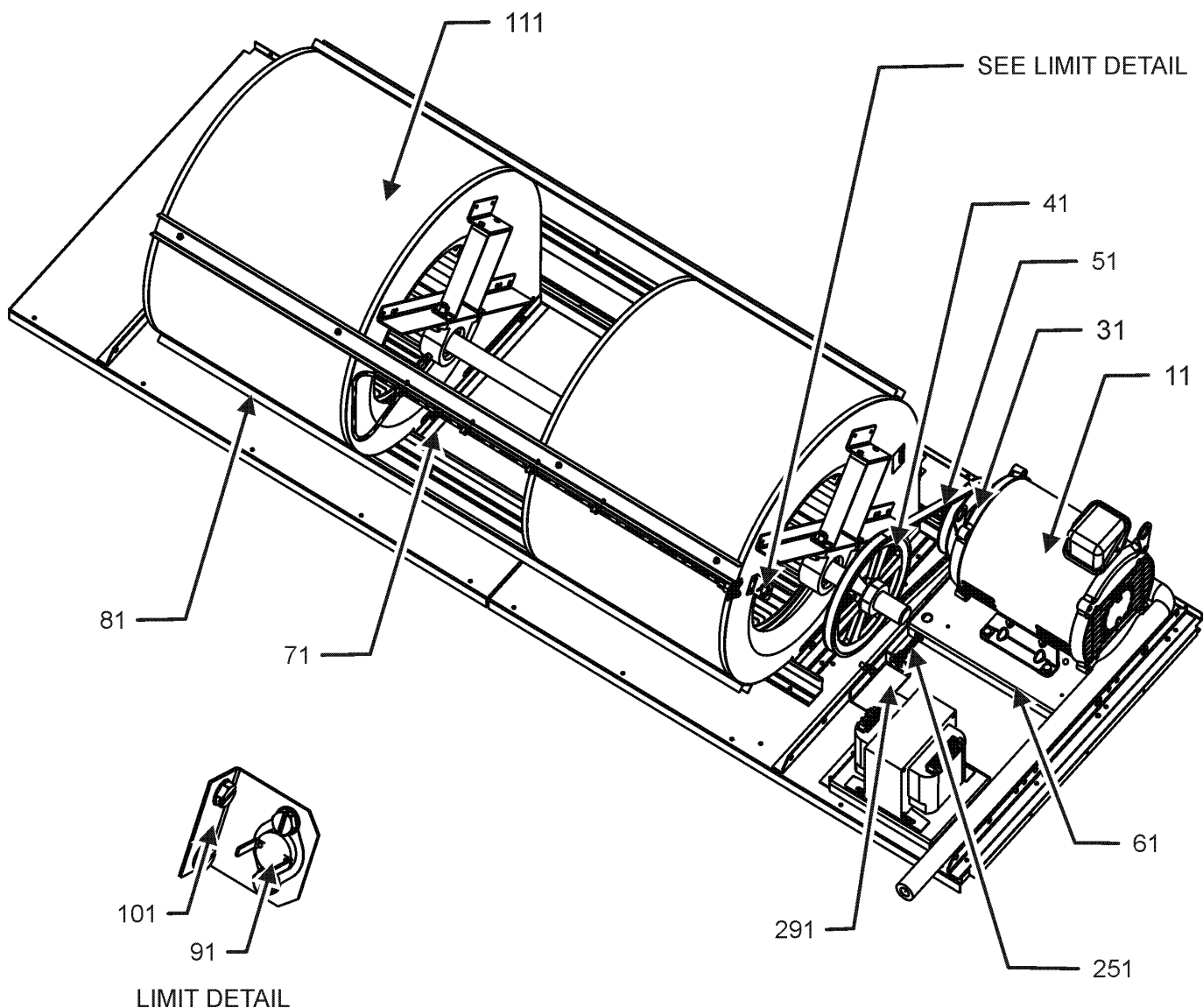


CORNER BRACE DETAIL

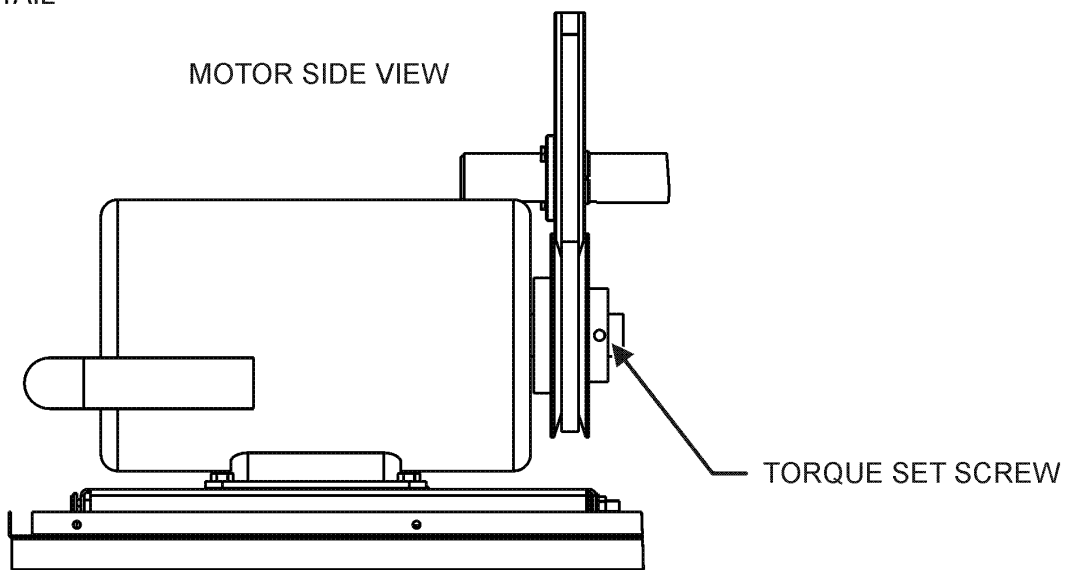
Tubing and Compressor Assembly

Ref. Part No:	No:	Description:	Ref. Part No:	No:	Description:
Image 1:			Expanded Model Nomenclature		
11	0121L00902	BASEPAN-OUTDOOR	M1	-	DCG1803503WHXAAA
21	0121L00947	BASEPAN-RETURN	M2	-	DCG1803503WRXXAA
31	0121L00948	BASEPAN-SUPPLY	M3	-	DCG1803503WVBXAA
41	0130M00074	HIGH PRESSURE SWITCH	M4	-	DCG1803503WVDXAA
51	0130M00087	LOW PRESSURE SWITCH	M5	-	DCG1803503WDXAAA
61	0151M00012	BI-FLOW FILTER DRIER	M6	-	DCG1803503WXKAAA
71	0151L00011	VALVE, TXV R-410A (QTY 4)	M7	-	DCG1803504WHSBAB
81	ZP83KCETF5250	COMP, 83000, 200/230/60/3 (M1, M2, M3, M4, M5, M6)	M8	-	DCG1803504WHXAAB
81	ZP83KCETFD130	COMP, 83000, 460/60/3 (M7, M8, M9, M10, M11, M12, M13, M14, M15, M16)	M9	-	DCG1803504WHXXAB
81	ZP83KCETFE130	COMP, 83000, 575/60/3 (M17, M18)	M10	-	DCG1803504WJDDAB
91	0121L00720	SIDE RAIL	M11	-	DCG1803504WVDXAB
101	0121L00719	CONTROL SIDE BASE RAIL	M12	-	DCG1803504WVXBAB
111	0159L00020	COMPRESSOR SCROLL HARNESS (M1, M2, M3, M4, M5, M6)	M13	-	DCG1803504WXBAAB
111	0159L00021	COMPRESSOR SCROLL HARNESS (M1, M2, M3, M4, M5, M6)	M14	-	DCG1803504WXBBAB
111	0159L00071	Harness, compressor (M7, M8, M9, M10, M11, M12, M13, M14, M15, M16, M17, M18)	M15	-	DCG1803504WXKGAB
111	0159L00070	Harness, compressor 460V (M7, M8, M9, M10, M11, M12, M13, M14, M15, M16, M17, M18)	M16	-	DCG1803504WXXXAB
121	0130L00019	CRANK CASE HEATER, 70W, 575V (M17, M18)	M17	-	DCG1803507WRSAAAB
121	0130L00017	CRANK CASE HEATER-70W 240V (M1, M2, M3, M4, M5, M6)	M18	-	DCG1803507WXXXAB
121	0130L00018	CRANK CASE HEATER-70W, 480V (M7, M8, M9, M10, M11, M12, M13, M14, M15, M16)			
131	0164M00018	COMPRESSOR GROMMET (QTY 8)			
141	B1393740	COMPRESSOR BOLT & SLEEVE (QTY 8)			
201	0121L00616	RAIL BRACE ANGLE, RIGHT (QTY 4)			
211	0121L00617	RAIL BRACE ANGLE, LEFT (QTY 4)			
221	0121L00723	BASE RAIL CORNER BRACE (QTY 4)			
NS	0121L00722	BASE RAIL, ACCESSORY END			
NS	0121L00721	BASE RAIL, CONDENSER END (QTY 2)			
NS	0163M00175	CAP WITH O-RING (QTY 4)			
NS	0121L00625	COMPRESSOR RAIL BRACKET (QTY 4)			
NS	0141L00029	FORK BOARD (QTY 2)			
NS	0121L00724	FORK BOARD BRACKET (QTY 4)			
NS	0121L00605	FORK BOARD PLATE			

Blower Assembly



MOTOR SIDE VIEW



Blower Assembly

Ref. Part No:	Ref. Part No:	Description:	Description:
---------------	---------------	--------------	--------------

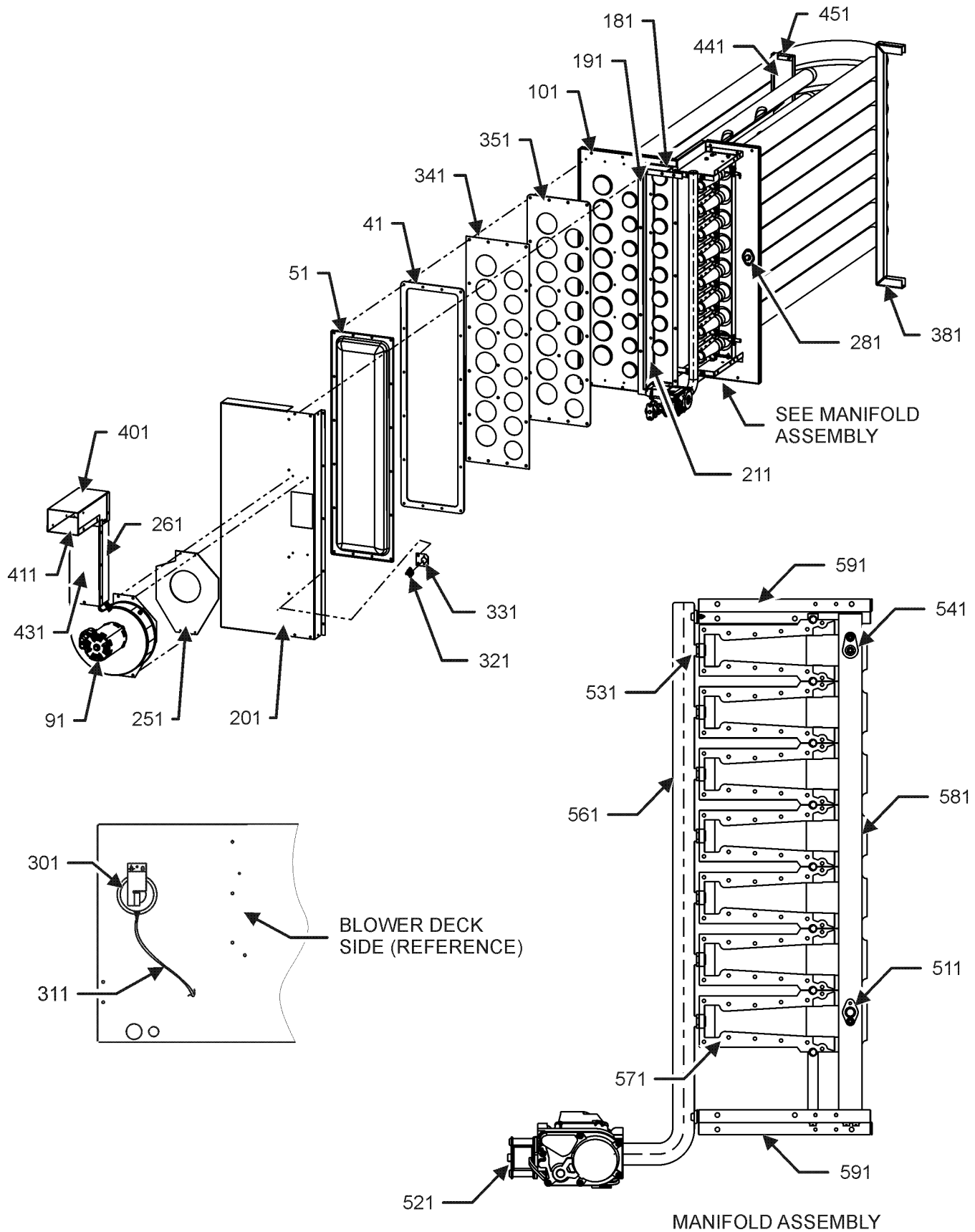
Image 1:

11	0131L00117	MOTOR, 7.5 H.P. (M1, M2, M3, M4, M5, M6)
11	0131L00118	MOTOR, 7.5 H.P. (M7, M8, M9, M10, M11, M12, M13, M14, M15, M16)
11	0131L00119	MOTOR, 7.5 H.P. (M17, M18)
31	0163L00052	SHEAVE-VARIABLE PITCH
41	0163L00141	SHEAVE, FIXED BK110H
51	0164L00006	FAN BELT, NOTCHED
61	0121L01430	MOTOR BASE
71	0121L00482	BLOWER SIDE ANGLE (QTY 4)
81	0121L00654	BLOWER RAIL (QTY 2)
91	0130M00064	LIMIT
101	0121L00594	SECONDARY LIMIT BRACKET
111	0271L00026	150-12R BD 1.18 TWIN BLOWER
251	0163M00351	BOLT, 3/8-16-6
291	0121L01429	BRACKET, DRIVE SCREW
NS	0163M00352	3/8-16 JAM NUT
NS	0163M00084	HEX LOCKNUT, NYLON INSERT
NS	0163M00085	WASHER (QTY 4)
NS	B1392923	WASHER / FLAT (QTY 3)

Expanded Model Nomenclature

M1 - DCG1803503WHXAAA
M2 - DCG1803503WRXXAA
M3 - DCG1803503WVBXAA
M4 - DCG1803503WVDXAA
M5 - DCG1803503WXDXAA
M6 - DCG1803503WXKAAA
M7 - DCG1803504WHSBAB
M8 - DCG1803504WHXAAB
M9 - DCG1803504WHXXAB
M10 - DCG1803504WJDDAB
M11 - DCG1803504WVDXAB
M12 - DCG1803504WVXBAB
M13 - DCG1803504WXBAAB
M14 - DCG1803504WXBAB
M15 - DCG1803504WXKGB
M16 - DCG1803504WXXXAB
M17 - DCG1803507WRSAB
M18 - DCG1803507WXXXAB

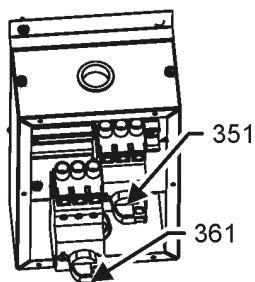
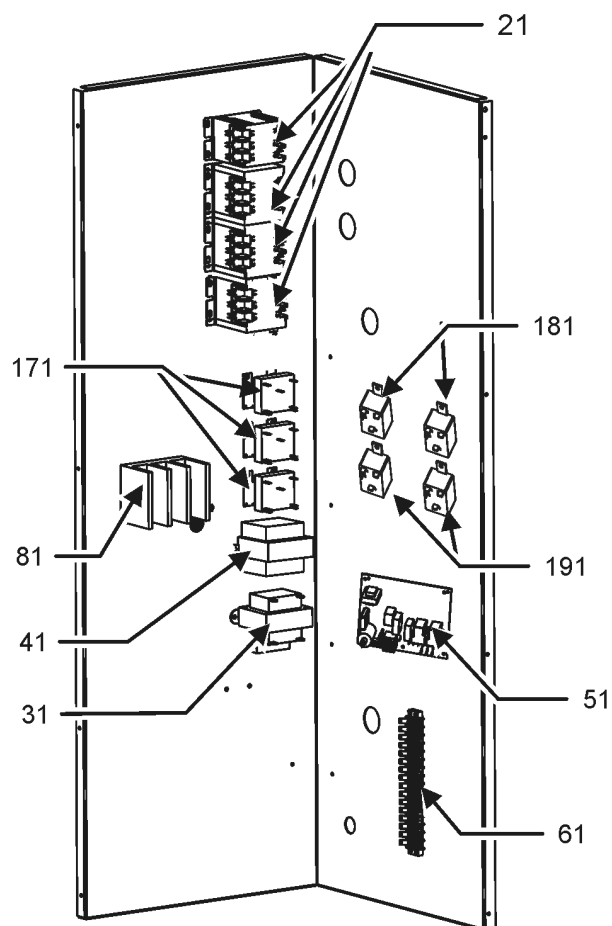
Heat Exchanger Assembly



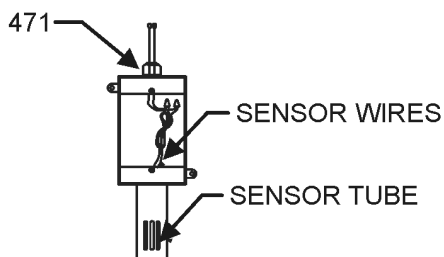
Heat Exchanger Assembly

Ref. Part No:	No:	Description:	Ref. Part No:	No:	Description:
Image 1:			Expanded Model Nomenclature		
41	0154L00025	GASKET-COVER REAR 8	M1	-	DCG1803503WHXAAA
51	0121L00545	COVER-REAR 8 TUBE	M2	-	DCG1803503WRXXAA
91	0131L00014	MOTOR-ID VENT	M3	-	DCG1803503WVBXAA
101	0270L00236	PARTITION TUBE ASSY 7B (M1, M2, M3, M4, M5, M8, M9, M10, M11, M12, M13, M14, M16, M18)	M4	-	DCG1803503WV DXAA
101	0270L00237	PARTITION TUBE ASSY-7B SS (M6, M7, M15, M17)	M5	-	DCG1803503WDXAAA
181	0154L00026	INNER COLLECTOR BOX GASKET	M6	-	DCG1803503WXKAAA
191	0154L00027	OUTER COLLECTOR BOX GASKET	M7	-	DCG1803504WHSBAB
201	0121L00707	COVER-COLLECTOR BOX 7	M8	-	DCG1803504WHXAB
211	0121L00546	CHANNEL-COLLECTOR BOX 8	M9	-	DCG1803504WHXXAB
251	0154L00029	GASKET-COMBUSTION BLOWER	M10	-	DCG1803504WJDDAB
261	0121L00668	FLUE WRAPPER, BACK	M11	-	DCG1803504WV DXAB
281	20162904	PRIMARY LIMIT-TEMPERATURE CONTROL	M12	-	DCG1803504WVXBAB
301	11112501	PRESSURE SWITCH	M13	-	DCG1803504WXBAAB
311	A3468601	PRESSURE SWITCH HOSE	M14	-	DCG1803504WXBBAB
321	10123529	MANUAL RESET LIMIT	M15	-	DCG1803504WXKGAB
331	0121L00053	FLAME ROLLOUT BRACKET	M16	-	DCG1803504WXXXAB
341	0121L00548	PLATE-TUBE PANEL 8	M17	-	DCG1803507WRSAAAB
351	0154L00028	GASKET-TUBE PANEL 8	M18	-	DCG1803507WXXXAB
381	0121L00930	SUPPORT-HEAT TUBES 2.25			
401	0121L02100	FLUE WRAPPER EXT (M1, M2, M3, M4, M5, M8, M9, M10, M11, M12, M13, M14, M16, M18)			
411	0121L00671	FLUE COVER EXT			
431	0121L00669	FLUE COVER, FRONT			
441	0121L00808	SUPPORT-HEAT TUBES 2.25			
451	0121L00823	BRACKET-TUBE SUPPORT (QTY 2)			
511	20261709	IGNITOR			
521	0151M00015	VALVE, GAS (HW) VR83			
531	0163L00014	ORIFICE (QTY 7)			
541	0130F00010	FLAME SENSOR			
561	0163L00051	MANIFOLD-GAS, 7 BURNER			
571	0163L00000	BECKETT BURNER (QTY 7)			
581	0121L00656	BRACKET-7 BURNERS			
591	0121G00268	BRACKET-BURNER TOP/BOT (QTY 2)			
NS	0163L00040	FLUE SCREEN			

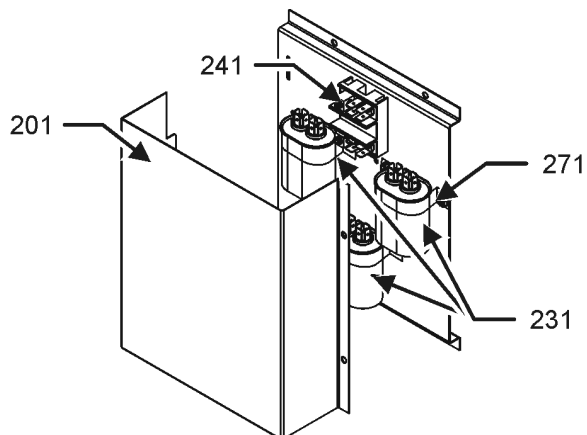
Control Box Assembly



CIRCUIT BREAKER ASSEMBLY

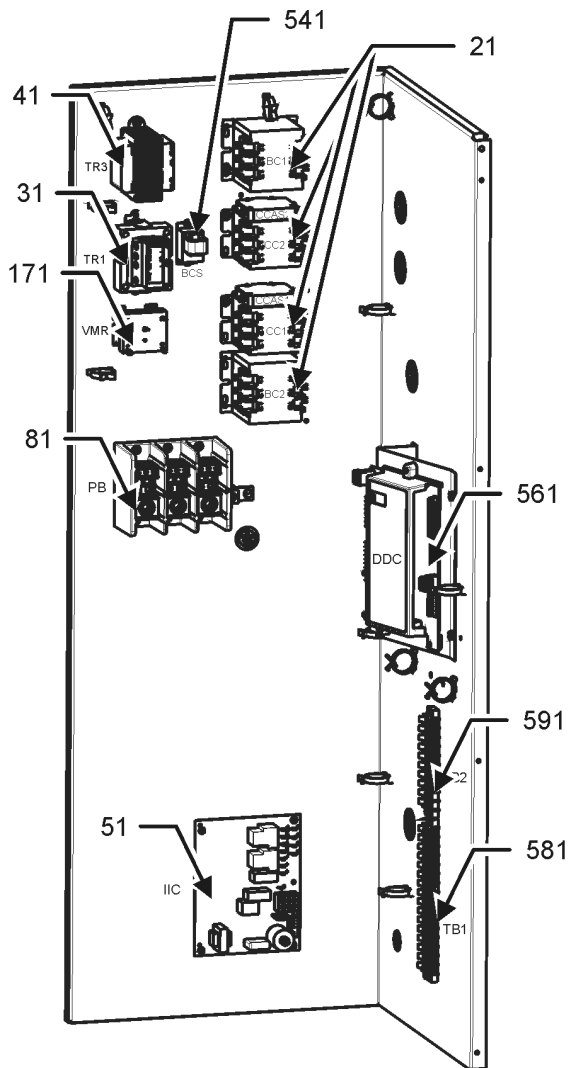


OUTDOOR AIR TEMP SENSOR



CAPACITOR ASSEMBLY

CONTROL PANEL FOR MODELS WITH DDC CONTROL



Control Box Assembly

Ref. Part No:	Ref. Part No:	Description:	Description:
Image 1:		Image 1:	
21	CONT3P030024V	CONTACTOR 30 AMP, 3P, 24V (M7, M8, M9, M10, M11, M12, M13, M14, M15, M16, M17, M18)	NS 0259L00391 HARN, DDC 8 PIN CONN (M2, M17)
21	CONT3P040024V	CONTACTOR 40 AMP, 3P, 24V (M1, M2, M3, M4, M5, M6)	NS 0259L00394 HARN, IIC (M2, M17)
21	CONT3P050024V	CONTACTOR 50 AMP, 3P, 24V (M1, M2, M3, M4, M5, M6)	NS 0259L00395 HARN, TR1 PWR CNTL (M2, M17)
31	0130L00205	TRANSFORMER (M1, M2, M3, M4, M5, M6)	NS 0159L00052 HARNESS JUMPER LONG
31	0130L00206	TRANSFORMER (M7, M8, M9, M10, M11, M12, M13, M14, M15, M16)	NS 0259L00134 HARNESS, 12 PIN GAS
31	0130L00207	TRANSFORMER (M17, M18)	NS 0259L00429 HARNESS, BC2 POWER (M2, M17)
41	0130M00596	TRANS, 150VA, 480V TO 230V (M7, M8, M9, M10, M11, M12, M13, M14, M15, M16)	NS 0159L00051 HARNESS, JUMPER SHORT
41	0130M00597	TRANS, 150VA, 575V TO 230V (M17, M18)	NS 0259L00181 HARNESS-BELT DRIVE 2 SP MOTOR
51	PCBAG123	IGNITION BOARD, DSI INTEGRATED	NS 0259L00187 ISO RELAY HARNESS
61	0130M00038	TERMINAL BOARD	NS 0130L00105 PHASE MONITOR (M3, M13, M14)
81	0130M00042	POWER BLOCK	NS 0130L00107 ROOM SENSOR (M2, M17)
171	0130M00025	24V RELAY (QTY 3)	NS 0259L00188 TERMINAL BOARD HARNESS
181	0130M00242	RELAY, 24V (QTY 2)	NS 0259L00171 TRANSFORMER HARNESS
191	10135604	RELAY (QTY 2)	NS 0259L00189 TRANSFORMER HARNESS
201	0121L00586	CAPACITOR COVER	NS 0259L00427 WIRE ASSY (M3, M13, M14)
231	CAP100000370LA	CAP, 10 MFD/370V/OVAL (M1, M2, M3, M4, M5, M6, M7, M8, M9, M10, M11, M12, M13, M14, M15, M16)	NS 0259L00428 WIRE ASSY (M3, M13, M14)
231	CAP050000440LA	CAPACITOR (M17, M18)	NS 0259L00169 WIRE HARNESS ASSY
241	B1368250	TERMINAL BLOCK (HIGH VOLTAGE)	NS 0259L00175 WIRE HARNESS ASSY
271	20520901	CAPACITOR STRAP (QTY 3)	NS 0259L00193 WIRE HARNESS, ECONOMIZER
351	0130L00082	ROTARY MANUAL MOTOR PROTECTOR (M7, M8, M9, M10, M11, M12, M13, M14, M15, M16, M17, M18)	NS 0259L00090 WIRE HARNESS-SMOKE DETECTOR (M10, M15)
351	0130L00086	ROTARY MANUAL MOTOR PROTECTOR (M1, M2, M3, M4, M5, M6)	
361	0130L00083	ROTARY MANUAL MOTOR PROTECTOR (M17, M18)	
361	0130L00084	ROTARY MANUAL MOTOR PROTECTOR (M7, M8, M9, M10, M11, M12, M13, M14, M15, M16)	
361	0130L00085	ROTARY MANUAL MOTOR PROTECTOR (M1, M2, M3, M4, M5, M6)	
471	0130L00108	OD Air Temp Sensor (M2, M17)	
541	0259L00368	CURRENT SWITCH WITH TERMS (M2, M17)	
561	PCBCG103	PCB, CONTROL, HP, GAS, AC (M2, M17)	
581	0130M00275	TERMINAL BOARD (M2, M17)	
591	0130M00274	TERMINAL BOARD (M2, M17)	
NS	0259L00185	BLOWER RELAY HARNESS	
NS	0259L00186	BLOWER RELAY HARNESS	
NS	0259L00190	CIRCUIT BREAKER HARNESS	
NS	0259L00118	CONDENSER FAN HARNESS, LONG	
NS	0259L00117	CONDENSER FAN HARNESS, MEDIUM	
NS	0259L00116	CONDENSER FAN HARNESS, SHORT	
NS	0259L00183	CRANK CASE HEATER WIRE HARNESS	
NS	0130L00112	Duct Temp Sensor (M2, M17)	
NS	0259L00398	HARN, COMP1-CCH-HPS-LPS (M2, M17)	
NS	0259L00392	HARN, DCC 10 PIN CONN (M2, M17)	
NS	0259L00430	HARN, DDC 12 PIN CONN 2 SP (M2, M17)	
NS	0259L00389	HARN, DDC 2 PIN CONN (M2, M17)	
NS	0259L00390	HARN, DDC 6 PIN CONN (M2, M17)	

Expanded Model Nomenclature

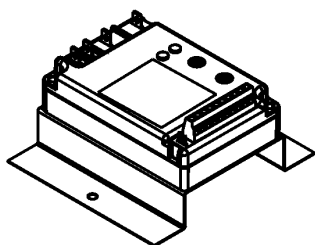
M1 - DCG1803503WHXAAA
M2 - DCG1803503WRXXAA
M3 - DCG1803503WV BXAA
M4 - DCG1803503WV DXAA
M5 - DCG1803503WXDXAA
M6 - DCG1803503WXKAAA
M7 - DCG1803504WHSBAB
M8 - DCG1803504WHXAAB
M9 - DCG1803504WHXXAB
M10 - DCG1803504WJDDAB
M11 - DCG1803504WV DXAB
M12 - DCG1803504WV XBAB
M13 - DCG1803504WXBAAB
M14 - DCG1803504WXBBAAB
M15 - DCG1803504WXK GAB
M16 - DCG1803504WXXXAB
M17 - DCG1803507WRSAAAB
M18 - DCG1803507WXXXAB

Accessory Part List

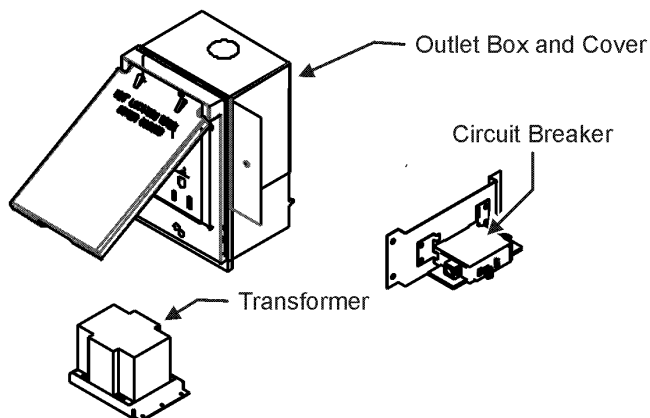
ACCESSORY PARTS LIST

NOTE: NOT ALL OPTIONS AVAILABLE FOR ALL PRODUCTS

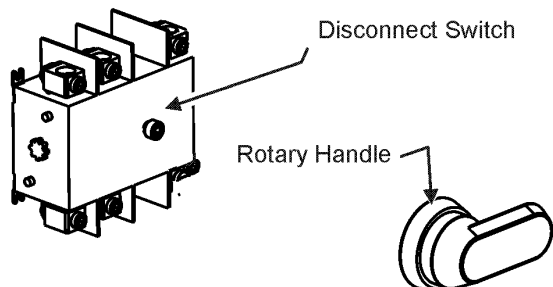
1 LOW AMBIENT KITS



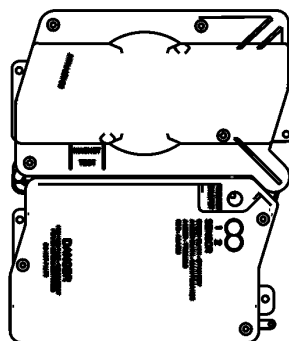
2 GFCI CONVENIENCE OUTLET



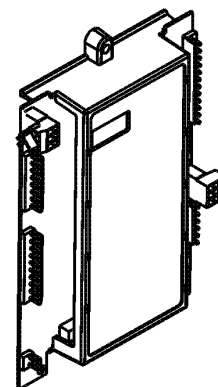
3 DISCONNECT MODULE (NON-FUSED)



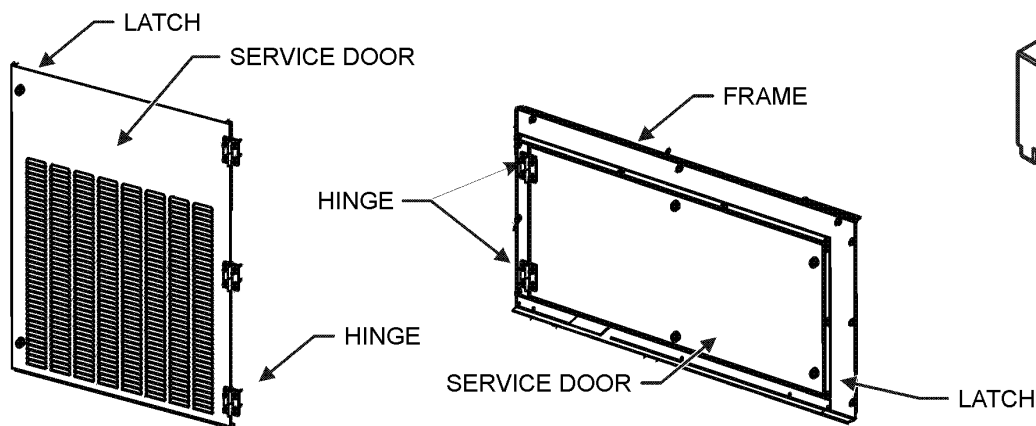
4 SMOKE DETECTORS



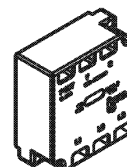
5 DDC CONTROL



6 HINGED DOOR ASSEMBLIES



7 PHASE MONITOR



Accessory Part List

Ref. Part No:	No:	Description:	Ref. Part No:	No:	Description:
Image 1:			Expanded Model Nomenclature		
NS	DDNECNJ180300B	15-25 TON DFLOW ECONOMIZER (M3, M4, M11, M12)	M1 -	DCG1803503WHXAAA	
NS	1036611B	15-25T DFLOW ECON, DDC (M10)	M2 -	DCG1803503WRXXAA	
NS	0121L00316	BRACKET-CONV OUTLET MOUNT (M1, M6, M7, M8, M12, M13, M14, M15, M17)	M3 -	DCG1803503WV BXAA	
NS	0121L00855	BRACKET-DISCONNECT SWITCH (M1, M2, M7, M8, M9, M10, M17)	M4 -	DCG1803503WV DXAA	
NS	0121L01053	BRACKET-SMOKE DETECTOR (M10, M15)	M5 -	DCG1803503WDXAAA	
NS	0130M00065	CIRCUIT BREAKER, CONVENIENCE OUTLET (M7, M12, M14)	M6 -	DCG1803503WXKAAA	
NS	0121L01603NG	CONTROL DOOR (M4, M5, M6, M10, M11, M15)	M7 -	DCG1803504WHSBAB	
NS	0121L00839NG	DISCONNECT COVER (M1, M2, M7, M8, M9, M10, M17)	M8 -	DCG1803504WHXAB	
NS	0121L01601NG	FILTER DOOR (M4, M5, M6, M10, M11, M15)	M9 -	DCG1803504WHXXAB	
NS	0130L00012	GANG BOX-GFCI OUTLET (M1, M6, M7, M8, M12, M13, M14, M15, M17)	M10 -	DCG1803504WJDDAB	
NS	0130L00039	HANDLE, ROTARY (M1, M2, M7, M8, M9, M10, M11, M15)	M11 -	DCG1803504WV DXAB	
NS	0163M00307	HINGE, LEFT HAND (M4, M5, M6, M10, M11, M15)	M12 -	DCG1803504WV XBAB	
NS	0163M00360	LATCH (M4, M5, M6, M10, M11, M15)	M13 -	DCG1803504WXBAAB	
NS	0121L01486NG	PNT, SERVICE DOOR BACK BLOWER (M4, M5, M6, M10, M11, M15)	M14 -	DCG1803504WXBBAB	
NS	0121L01485NG	PNT, SERVICE DOOR FRONT BLOWER (M4, M5, M6, M10, M11, M15)	M15 -	DCG1803504WXKGAB	
NS	0161G00012	POWER OUTLET BOX (M1, M6, M7, M8, M12, M13, M14, M15, M17)	M16 -	DCG1803504WXXXAB	
NS	0130L00103	RECEPTACLE-GFCI OUTLET (M1, M6, M7, M8, M12, M13, M14, M15, M17)	M17 -	DCG1803507WRSAB	
NS	0121L01484NG	SERVICE DOOR FRAME, BLOWER (M4, M5, M6, M10, M11, M15)	M18 -	DCG1803507WXXXAB	
NS	0130L00058	SHAFT, CUT (M1, M2)			
NS	0130L00059	SHAFT, CUT (M7, M8, M9, M10, M17)			
NS	0130L00049	SHAFT, DISCONNECT (M1, M2, M7, M8, M9, M10, M17)			
NS	D4120	SMOKE DETECTOR, PHOTO 4WIRE (M10, M15)			
NS	0130L00027	SWITCH-DISCONNECT 100A (M1, M2)			
NS	0130L00046	SWITCH-DISCONNECT 60A (M7, M8, M9, M10, M17)			
NS	0130M00061	TRANSFORMER, CONVENIENCE OUTLET (M7, M12, M14)			