

Commercial 15 Ton 2-Speed Package Gas Unit

DCG1803503V1DDAA
DCG1803503VAXXAA
DCG1803503VHDBAA
DCG1803503VHDDAA
DCG1803503VHDNAA
DCG1803503VHXAAA
DCG1803503VRXXAA
DCG1803503VVXDAA
DCG1803503VVXXAA
DCG1803503VVXZAA
DCG1803503VWXBAA
DCG1803503VXXAAA
DCG1803503VXXXAA
DCG1803504VHSNAB
DCG1803504VHXBAB
DCG1803504VHXEAB
DCG1803504VRDBAB
DCG1803504VVKFAB
DCG1803504VVXDAB
DCG1803504VVXXAB
DCG1803504VWXXAB
DCG1803504VXXXAA
DCG1803504VXXXAB
DCG1803507VXXXAA
DCG1803507VXXXAB



This manual is to be used by qualified technicians only.

This manual replaces RP-D1042M.

Important Information

Index

Functional Parts List	3
Illustration and Parts	4 - 19

Views shown are for parts illustrations only, not servicing procedures

Text Codes:

AR - As Required

NA - Not Available

NS - Not Shown

00000000 - See Note

QTY - Quantity Example (QTY 3) (If Quantity not shown, Quantity = 1)

M - Model Example (M1) (If M Code not shown, then part is used on all Models)

Expanded Model Nomenclature:

Example M1 - Model#1 M2 - Model#2 M3 - Model#3

Daikin Company, L.P. is not responsible for personal injury or property damage resulting from improper service. Review all service information before beginning repairs.

Warranty service must be performed by an authorized technician, using authorized factory parts. If service is required after the warranty expires, Daikin Company, L.P. also recommends contacting an authorized technician and using authorized factory parts.

Daikin Company, L.P. reserves the right to discontinue, or change at any time, specifications or designs without notice or without incurring obligations.

For assistance within the U.S.A. contact:

Equipment Support
Daikin North America, LLC
19001 Kermier Road
Waller, Texas 77484
855-770-5678-Telephone
713-863-2382-Facsimile

For assistance outside the U.S.A. contact:

International Division
Daikin North America, LLC
19001 Kermier Road
Waller, Texas 77484
713-861-2500-Telephone
713-863-2382-Facsimile

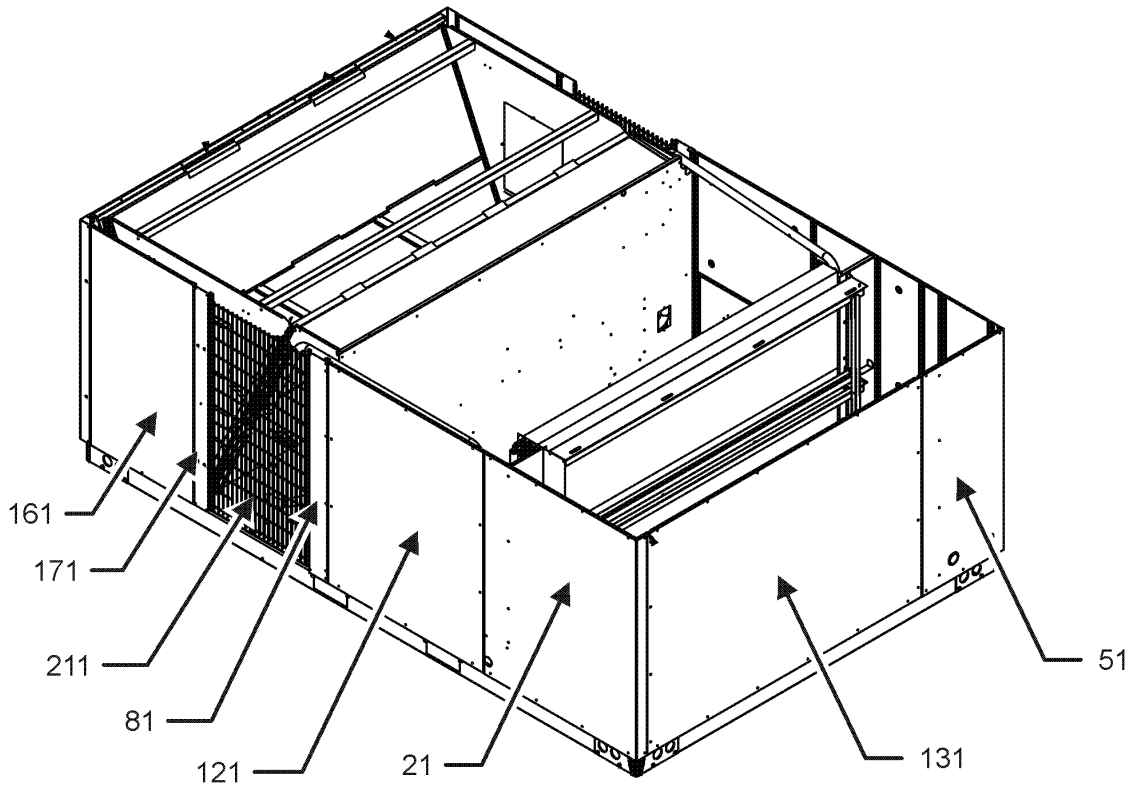
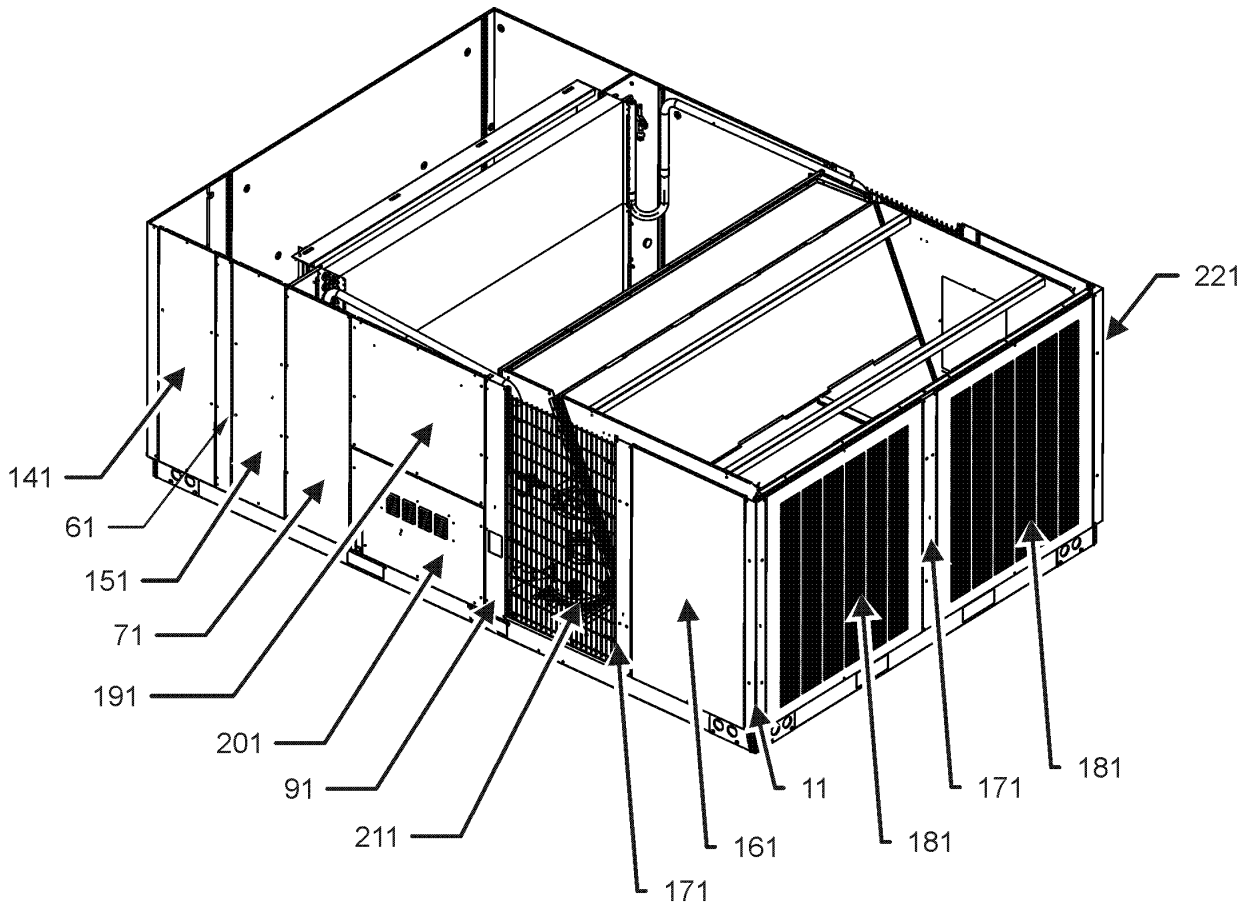
Functional Parts

Part

No: Description:

0271L00026	150-12R BD 1.18 TWIN BLOWER	0130L00207	TRANSFORMER (M25)
0163L00000	BECKETT BURNER (QTY 7)	0130M00595	TRANSFORMER, 75VA, 480V TO 24V (M22)
CAP100000370LA	CAPACITOR 10/370V (M1, M2, M3, M4, M5, M6, M7, M8, M9, M10, M11, M12, M13, M14, M15, M16, M17, M18, M19, M20, M21, M23)	0130M00598	TRANSFORMER, 75VA, 575V TO 24V (M24)
CAP050000370LA	CAPACITOR 5/370V (M22, M24)	0151M00015	VALVE, GAS (HW) VR83
CAP050000440LA	CAPACITOR 5/440V (M25)	0151L00011	VALVE, TXV R-410A (QTY 4)
ZP83KCETF5250	COMP, 83000, 200/230/60/3 (M1, M2, M3, M4, M5, M6, M7, M8, M9, M10, M11, M12, M13)	Expanded Model Nomenclature	
ZP83KCETFD130	COMP, 83000, 460/60/3 (M14, M15, M16, M17, M18, M19, M20, M21, M22, M23)	M1 - DCG1803503VAXXAA	
ZP83KCETFE130	COMP, 83000, 575/60/3 (M24, M25)	M2 - DCG1803503VHDBAA	
CONT3P030024V	CONTACTOR 30 AMP, 3P, 24V (M14, M15, M16, M17, M18, M19, M20, M21, M22, M23, M24, M25)	M3 - DCG1803503VHDDAA	
CONT3P040024V	CONTACTOR 40 AMP, 3P, 24V (M1, M2, M3, M4, M5, M6, M7, M8, M9, M10, M11, M12, M13)	M4 - DCG1803503VHDNAA	
CONT3P050024V	CONTACTOR 50 AMP, 3P, 24V (M1, M2, M3, M4, M5, M6, M7, M8, M9, M10, M11, M12, M13)	M5 - DCG1803503VHXAAA	
0130L00019	CRANK CASE HEATER, 70W, 575V (M24, M25)	M6 - DCG1803503VRXXAA	
0130L00017	CRANK CASE HEATER-70W 240V (M1, M2, M3, M4, M5, M6, M7, M8, M9, M10, M11, M12, M13)	M7 - DCG1803503VVXDAA	
0130L00018	CRANK CASE HEATER-70W, 480V (M14, M15, M16, M17, M18, M19, M20, M21, M22, M23)	M8 - DCG1803503VVXXAA	
0164L00013	FAN BELT-NOTCHED (M1, M2, M3, M4, M5, M6, M7, M8, M9, M10, M11, M12, M13, M14, M15, M16, M17, M18, M19, M20, M21, M23, M24, M25)	M9 - DCG1803503VVXZAA	
10625733	FAN BLADE 22" ALUM CCW (QTY 3)	M10 - DCG1803503VWXBAA	
0130F00010	FLAME SENSOR	M11 - DCG1803503VXXAAA	
0130M00074	HIGH PRESSURE SWITCH	M12 - DCG1803503VXXXAA	
PCBAG123	IGNITION BOARD, DSI INTEGRATED	M13 - DCG1803503V1DDAA	
20261709	IGNITOR	M14 - DCG1803504VHSNAB	
0130M00064	LIMIT	M15 - DCG1803504VHXBAB	
0130M00087	LOW PRESSURE SWITCH	M16 - DCG1803504VHXEAB	
10123529	MANUAL RESET LIMIT	M17 - DCG1803504VRDBAB	
0131M00179	MOTOR, 1/3 HP, 6 PL, 575V (M24)	M18 - DCG1803504VVKFAB	
B13400249	MOTOR, 1/3, 460V (M22)	M19 - DCG1803504VVXDAB	
0131L00025	MOTOR, 5 HP BELT DRIVE 230V (M1, M2, M3, M4, M5, M6, M7, M8, M9, M10, M11, M12, M13)	M20 - DCG1803504VVXXAB	
0131L00031	MOTOR, 5 HP BELT DRIVE 460 V (M14, M15, M16, M17, M18, M19, M20, M21, M22, M23)	M21 - DCG1803504VWXXAB	
0131L00028	MOTOR, 5 HP BELT DRIVE 575 V (M24, M25)	M22 - DCG1803504VXXXAA	
0131M00907	MOTOR, HP, 1/3, OD (M14, M15, M16, M17, M19, M20, M21, M23)	M23 - DCG1803504VXXXAB	
0131M00908	MOTOR, HP, 1/3, OD, LAK (M25)	M24 - DCG1803507VXXXAA	
0131M00906	MOTOR, HP, 1/3, SP, 1, PL, 6 (M1, M2, M3, M4, M5, M6, M7, M8, M9, M10, M11, M12, M13)	M25 - DCG1803507VXXXAB	
11112501	PRESSURE SWITCH		
20162904	PRIMARY LIMIT-TEMPERATURE CONTROL		
10135604	RELAY (QTY 2)		
0130M00038	TERMINAL BOARD		
0130M00596	TRANS, 150VA, 480V TO 230V (M14, M15, M16, M17, M18, M19, M20, M21, M23)		
0130M00597	TRANS, 150VA, 575V TO 230V (M25)		
0130L00205	TRANSFORMER (M1, M2, M3, M4, M5, M6, M7, M8, M9, M10, M11, M12, M13)		
0130L00206	TRANSFORMER (M14, M15, M16, M17, M18, M19, M20, M21, M23)		

Cabinet Assembly



Cabinet Assembly

Ref. Part

No: No: Description:

Ref. Part

No: No: Description:

Image 1:

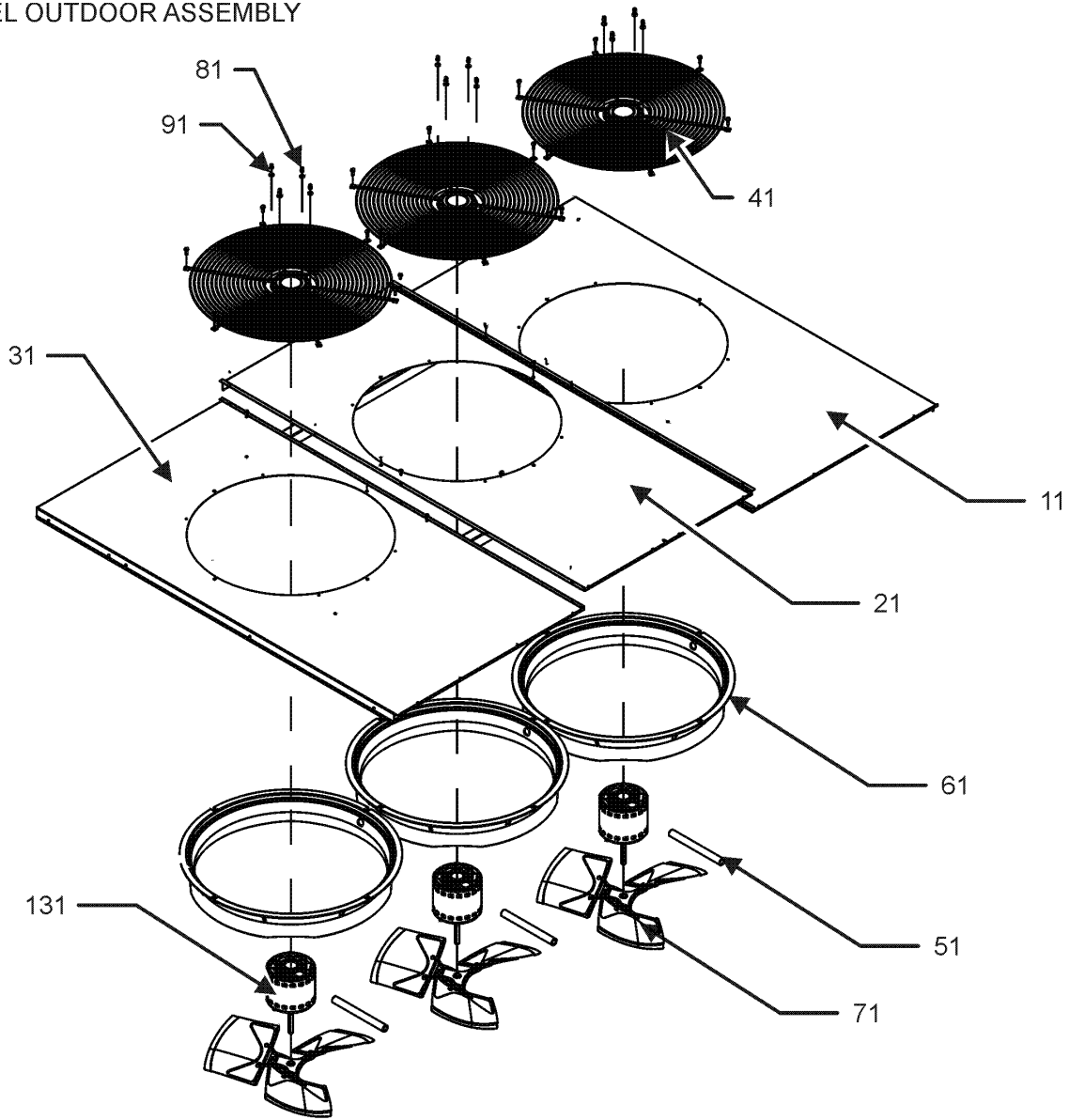
11	0121L01143NG	CORNER POST (QTY 2)
21	0121L00681NG	EVAP PANEL
51	0121L00679NG	CONTROL CORNER PANEL (M1, M7, M8, M9, M12, M19, M20, M22, M23, M24, M25)
51	0121L00800NG	DUCT PANEL (M3, M6, M13, M16, M21)
51	0121L00742NG	PAINTED CONTROL CORNER (M2, M4, M5, M10, M11, M14, M15, M17)
51	0121L01473NG	PAINTED CONTROL CORNER (M18)
61	0121L02048NG	PNT, POST-CONTROL /FILTER (M1, M5, M6, M7, M8, M9, M10, M11, M12, M14, M15, M16, M19, M20, M21, M22, M23, M24, M25)
61	0121L01937NG	PNT, POST-CONTROL.FILTER (M2, M3, M4, M13, M17, M18)
71	0121L00710NG	BLOWER DOOR POST (M1, M5, M6, M7, M8, M9, M10, M11, M12, M14, M15, M16, M19, M20, M21, M22, M23, M24, M25)
71	0121L01479NG	BLOWER DOOR POST (M2, M3, M4, M13, M17, M18)
81	0121L00903NG	POST-PARTITION, EVAP SIDE
91	0121L01524NG	POST PARTITION, GAS FLUE (M2, M3, M4, M13, M17, M18)
91	0121L00904NG	POST-PARTITION, GAS FLUE (M1, M5, M6, M7, M8, M9, M10, M11, M12, M14, M15, M16, M19, M20, M21, M22, M23, M24, M25)
121	0121L00685NG	BLOWER DOOR, EVAP SIDE
131	0121L00688NG	ACCESSORY PANEL
141	0121L01603NG	CONTROL DOOR (M2, M3, M4, M13, M17, M18)
141	0121L00687NG	PNT, DOOR-CONTROL (M1, M5, M6, M7, M8, M9, M10, M11, M12, M14, M15, M16, M19, M20, M21, M22, M23, M24, M25)
151	0121L00686NG	FILTER DOOR (M1, M5, M6, M7, M8, M9, M10, M11, M12, M14, M15, M16, M19, M20, M21, M22, M23, M24, M25)
151	0121L01601NG	FILTER DOOR (M2, M3, M4, M13, M17, M18)
161	0121L00907NG	PANEL-CONDENSER SIDE (QTY 2)
171	0121L01144NG	POST, COND PANEL (QTY 3)
181	0121L01174NG	PANEL-LOUVER, END (QTY 2)
191	0121L00713NG	BLOWER DOOR GAS
201	0121L00712NG	BURNER DOOR
211	0152L00000	GRILLE-CONDENSER (QTY 2)
221	0121L00476NG	PNT, TURNBUCKLE, DOOR (QTY 16)
NS	0121L00562NG	PNT, HOOD-COMBUSTION AIR
NS	M0204317	SCREW-MACH (QTY 16)

Expanded Model Nomenclature

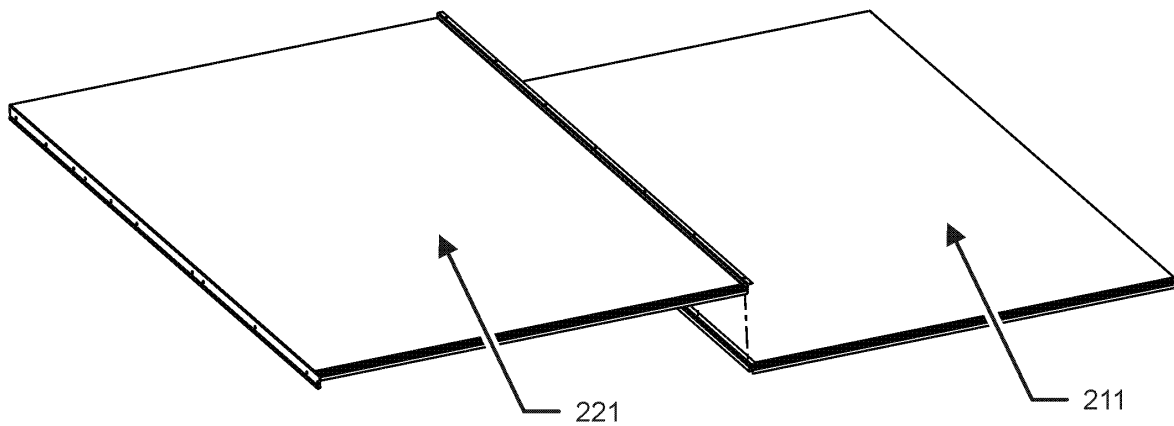
M1 - DCG1803503VAXXAA
M2 - DCG1803503VHDBAA
M3 - DCG1803503VHDDAA
M4 - DCG1803503VHDNAA
M5 - DCG1803503VHXAAA
M6 - DCG1803503VRXXAA
M7 - DCG1803503VVXDAA
M8 - DCG1803503VVXXAA
M9 - DCG1803503VVXZAA
M10 - DCG1803503VWXBAA
M11 - DCG1803503VXXAAA
M12 - DCG1803503VXXXAA
M13 - DCG1803503V1DDAA
M14 - DCG1803504VHSNAB
M15 - DCG1803504VHXBAB
M16 - DCG1803504VHXEAB
M17 - DCG1803504VRDBAB
M18 - DCG1803504VVKFAB
M19 - DCG1803504VXXDAB
M20 - DCG1803504VXXBAB
M21 - DCG1803504VWXXAB
M22 - DCG1803504VXXXAA
M23 - DCG1803504VXXXAB
M24 - DCG1803507VXXXAA
M25 - DCG1803507VXXXAB

Top Panel Assembly

TOP PANEL OUTDOOR ASSEMBLY



TOP PANEL INDOOR ASSEMBLY



Top Panel Assembly

Ref. Part No:	Part No:	Description:	Ref. Part No:	Part No:	Description:
---------------	----------	--------------	---------------	----------	--------------

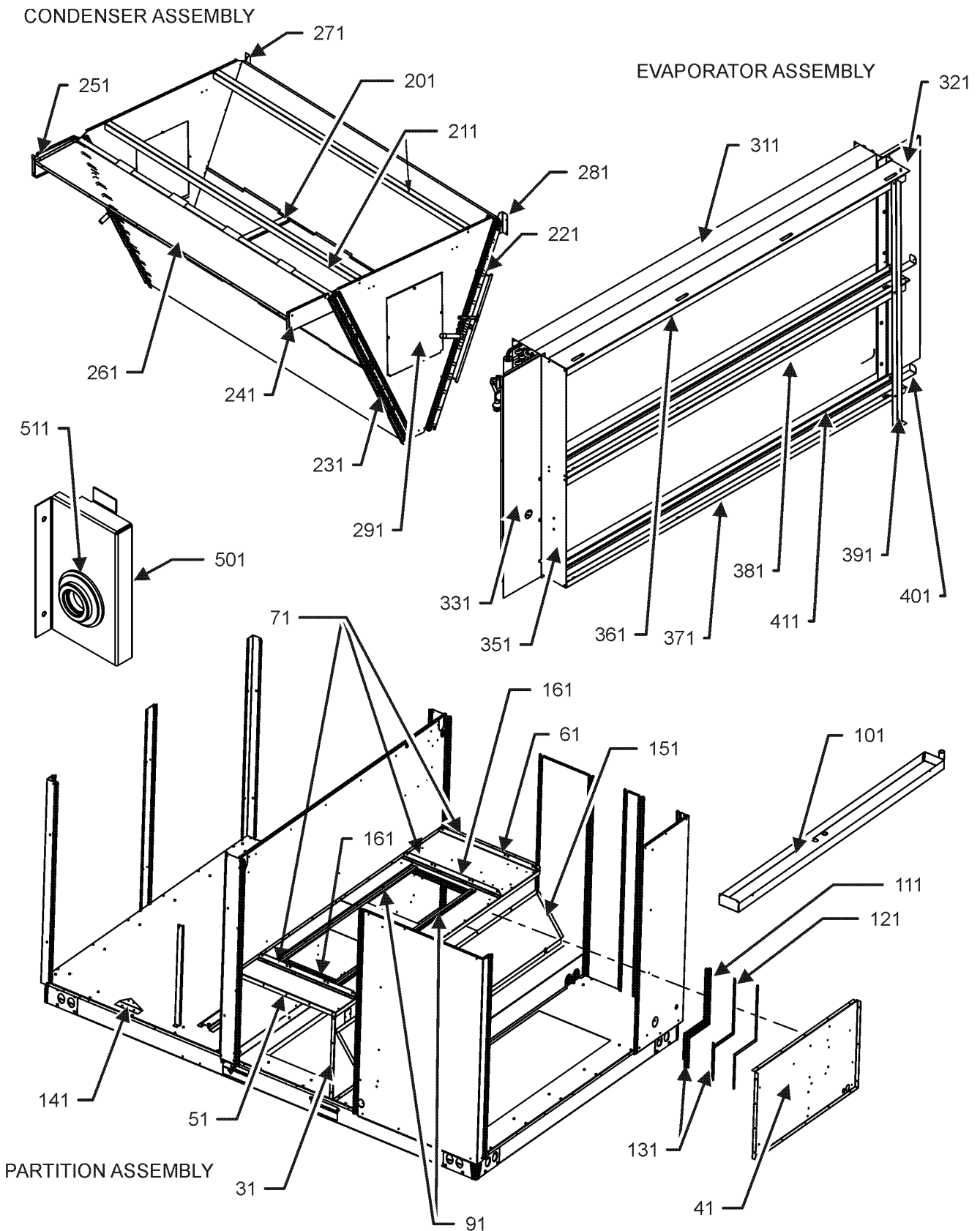
Image 1:

11	0121L01038NG	PNT, TOP-FAN, CONTROL SIDE
21	0121L01039NG	PNT, TOP-FAN, CENTER
31	0121L01040NG	PNT, TOP-FAN, EVAP SIDE
41	0152G00003	FAN GRILLE (QTY 3)
51	17788000083F	PVC CONDUIT 8.25" (QTY 3)
61	0161L00000	VENTURI RING 22" (QTY 3)
71	10625733	FAN BLADE 22" ALUM CCW (QTY 3)
81	0163M00006P	ACORN NUT 5/16 HEX BLACK (QTY 12)
91	0163M00005P	WASHER BLACK (.50 OD .218ID) (QTY 12)
101	0163M00004	SCREW #10X3/4", BLACK (QTY 24)
131	0131M00179	MOTOR, 1/3 HP, 6 PL, 575V (M24)
131	B13400249	MOTOR, 1\3, 460V (M22)
131	0131L00065	MOTOR, COND, 1/3 HP, 460V (M18)
131	0131M00907	MOTOR, HP, 1/3, OD (M14, M15, M16, M17, M19, M20, M21, M23)
131	0131M00908	MOTOR, HP, 1/3, OD, LAK (M25)
131	0131M00906	MOTOR, HP, 1/3, SP, 1, PL, 6 (M1, M2, M3, M4, M5, M6, M7, M8, M9, M10, M11, M12, M13)
211	0121L00693NG	TOP, CONTROL SIDE
221	0121L00694NG	TOP, EVAP SIDE

Expanded Model Nomenclature

- M1 - DCG1803503VAXXAA
- M2 - DCG1803503VHDBAA
- M3 - DCG1803503VHDDAA
- M4 - DCG1803503VHDNAA
- M5 - DCG1803503VHXAAA
- M6 - DCG1803503VRXXAA
- M7 - DCG1803503VVXDAA
- M8 - DCG1803503VVXXAA
- M9 - DCG1803503V VXZAA
- M10 - DCG1803503VWXBAA
- M11 - DCG1803503VXXAAA
- M12 - DCG1803503VXXXAA
- M13 - DCG1803503V1DDAA
- M14 - DCG1803504VHSNAB
- M15 - DCG1803504VHXBAB
- M16 - DCG1803504VHXEAB
- M17 - DCG1803504VRDBAB
- M18 - DCG1803504VVKFAB
- M19 - DCG1803504VVXDAB
- M20 - DCG1803504VVXXAB
- M21 - DCG1803504VWXXAB
- M22 - DCG1803504VXXXAA
- M23 - DCG1803504VXXXAB
- M24 - DCG1803507VXXXAA
- M25 - DCG1803507VXXXAB

Evaporator, Condenser and Partition Assy

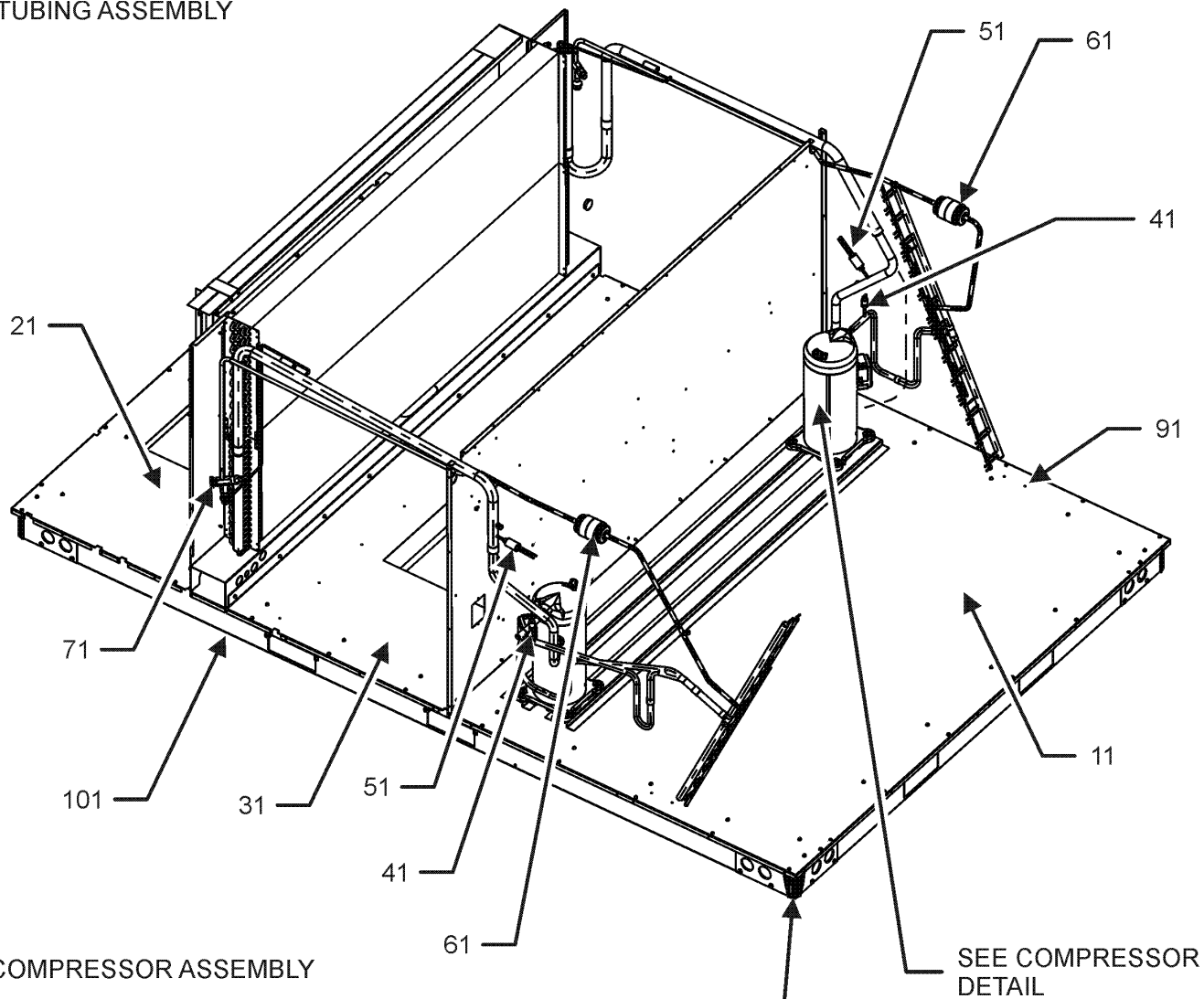


Evaporator, Condenser and Partition Assy

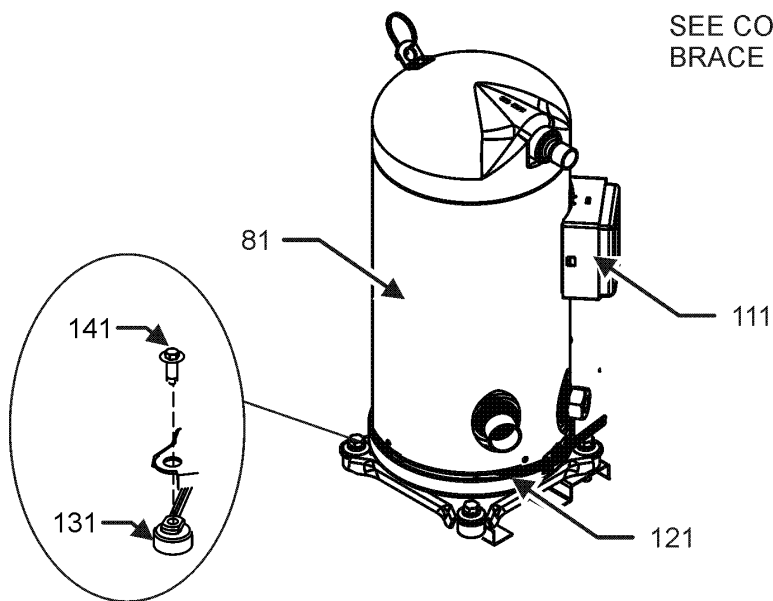
Ref. Part No: No:	Description:	Ref. Part No: No:	Description:
Image 1:		Expanded Model Nomenclature	
31	0121L01163 DECK, SIDE DUCT END	M1	- DCG1803503VAXXAA
41	0121L01162 DECK, SIDE HEAT END	M2	- DCG1803503VHDBAA
51	0121L00652 BLOWER DECK, EVAP SIDE	M3	- DCG1803503VHDDAA
61	0121L00653 BLOWER DECK, MOTOR SIDE	M4	- DCG1803503VHDNAA
71	0121L01431 MOTOR MOUNT ANGLE (QTY 3)	M5	- DCG1803503VHXAAA
91	0121L00478 BLOWER DECK RAIL (QTY 2)	M6	- DCG1803503VRXXAA
101	0270L00612DG DRAIN PAN	M7	- DCG1803503VVDXAA
111	0121L00551 HEAT EXCHANGER ANGLE, RH SIDE	M8	- DCG1803503VVXXAA
121	0121L00552 HEAT EXCHANGER ANGLE, LH SIDE	M9	- DCG1803503VVXZAA
131	0121L00553 LOWER HEAT EXCHANGER ANGLE (QTY 2)	M10	- DCG1803503VWXBAA
141	0121L00913 BRACKET-COND/BASEPAN (QTY 2)	M11	- DCG1803503VXXAAA
151	0121L01158 SHIELD, BLOWOFF	M12	- DCG1803503VXXXAA
161	0121L00481 BLOWER RAIL (QTY 2)	M13	- DCG1803503V1DDAA
201	0121L00901 BRACE-COND COILS (QTY 2)	M14	- DCG1803504VHSNAB
211	0121L01037 ANGLE, TOP BRACE (QTY 2)	M15	- DCG1803504VHXBAB
221	0201L00123 CONDENSER COIL ASSY, C1	M16	- DCG1803504VHXEAB
231	0201L00124 CONDENSER COIL ASSY C2	M17	- DCG1803504VRDBAB
241	0121L01154 BRACKET, CONDENSER END C1	M18	- DCG1803504VVKFAB
251	0121L01156 BRACKET, CONDENSER END C2	M19	- DCG1803504VVDXAB
261	0121L00572 CONDENSER BLOCKOFF, INSIDE TOP	M20	- DCG1803504VVDXAB
271	0121L01155 BRACKET, COND/POST C1	M21	- DCG1803504VWXXAB
281	0121L01153 BRACKET, COND/POST C2	M22	- DCG1803504VXXXAA
291	0121L00910 COVER-COIL CLEANING (QTY 2)	M23	- DCG1803504VXXXAB
311	0202L00047 EVAPORATOR COIL ASSY (QTY 2)	M24	- DCG1803507VXXXAA
321	0121L00698 EVAPORATOR BLOCKOFF PANEL	M25	- DCG1803507VXXXAB
331	0121L00848 PANEL-EVAPORATOR, SMOKE DET		
351	0121L00933 ANGLE-FILTER, LEFT VERTICAL		
361	0121L00629 TOP ANGLE FILTER (M22)		
361	0121L01180 TOP ANGLE FILTER (M1, M2, M3, M4, M5, M6, M7, M8, M9, M10, M11, M12, M13, M14, M15, M16, M17, M18, M19, M20, M21, M23, M24, M25)		
371	0121L00701 BOTTOM FILTER RACK (M22)		
371	0121L01179 BOTTOM FILTER RACK (M1, M2, M3, M4, M5, M6, M7, M8, M9, M10, M11, M12, M13, M14, M15, M16, M17, M18, M19, M20, M21, M23, M24, M25)		
381	0270L00230 CENTER FILTER RACK (M22)		
381	0270L00658 CENTER FILTER RACK (M1, M2, M3, M4, M5, M6, M7, M8, M9, M10, M11, M12, M13, M14, M15, M16, M17, M18, M19, M20, M21, M23, M24, M25)		
391	0121L00632 FILTER SUPPORT ANGLE		
401	0121L00640 FILTER PULL (QTY 2)		
411	0121L00703 BOTTOM BLOCKOFF, FILTER RACK		
501	0121L00697 GAS VALVE PIPE BRACKET		
511	B1910013 GAS LINE GROMMET		
NS	0270L00233 BOTTOM SLIDER (M22)		
NS	0270L00232 CENTER SLIDER (M22)		
NS	0160L00137 FILTER, 20 X 25 X 2, STANDARD (QTY 6)		
NS	0121L00702 RIGHT SIDE BLOCKOFF, FILTER RACK (M22)		
NS	0121L00321 SMOKE DETECTOR COVER (QTY 2)		
NS	0121L00634 TOP ANGLE BRACKET (M22)		
NS	0270L00271 WELDMENT-TOP SLIDER (M22)		

Tubing and Compressor Assembly

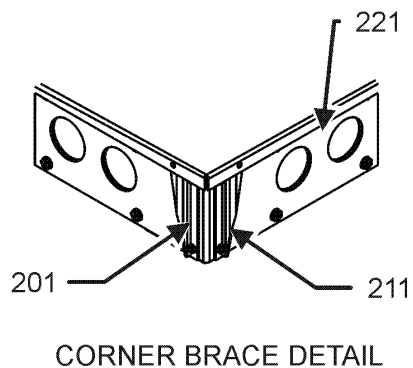
TUBING ASSEMBLY



COMPRESSOR ASSEMBLY



COMPRESSOR DETAIL

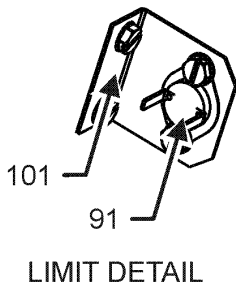
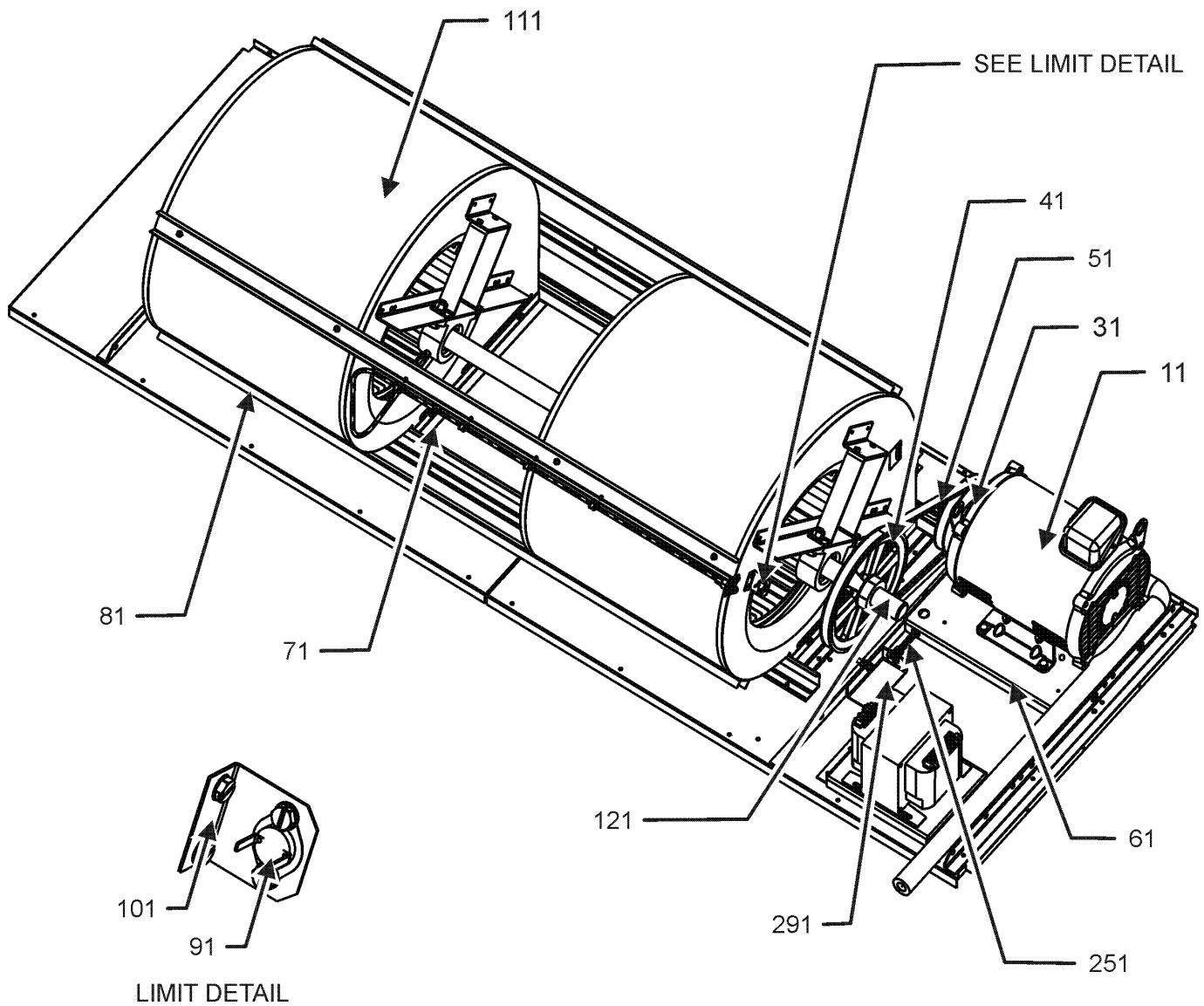


CORNER BRACE DETAIL

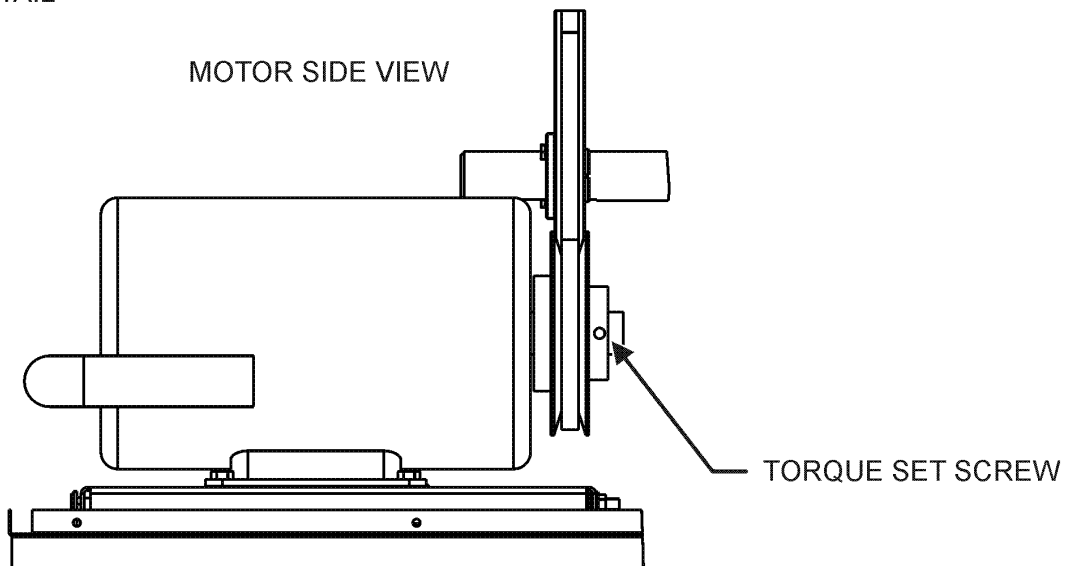
Tubing and Compressor Assembly

Ref. Part No:	Description:	Ref. Part No:	Description:
Image 1:		Expanded Model Nomenclature	
11	0121L00902 BASEPAN-OUT DOOR	M1	- DCG1803503VAXXAA
21	0121L00947 BASEPAN-RETURN	M2	- DCG1803503VHDBAA
31	0121L00948 BASEPAN-SUPPLY	M3	- DCG1803503VHDDAA
41	0130M00074 HIGH PRESSURE SWITCH	M4	- DCG1803503VHDNAA
51	0130M00087 LOW PRESSURE SWITCH	M5	- DCG1803503VHXAAA
61	0151M00012 BI-FLOW FILTER DRIER	M6	- DCG1803503VRXXAA
71	0151L00011 VALVE, TXV R-410A (QTY 4)	M7	- DCG1803503VVXDAA
81	ZP83KCETF5250 COMP, 83000, 200/230/60/3 (M1, M2, M3, M4, M5, M6, M7, M8, M9, M10, M11, M12, M13)	M8	- DCG1803503VXXAA
81	ZP83KCETFD130 COMP, 83000, 460/60/3 (M14, M15, M16, M17, M18, M19, M20, M21, M22, M23)	M9	- DCG1803503VVXZAA
81	ZP83KCETFE130 COMP, 83000, 575/60/3 (M24, M25)	M10	- DCG1803503VWXBAA
91	0121L00720 SIDE RAIL	M11	- DCG1803503VXXAAA
101	0121L00719 CONTROL SIDE BASE RAIL	M12	- DCG1803503VXXXAA
111	0159L00020 COMPRESSOR SCROLL HARNESS (M1, M2, M3, M4, M5, M6, M7, M8, M9, M10, M11, M12, M13)	M13	- DCG1803503V1DDAA
111	0159L00021 COMPRESSOR SCROLL HARNESS (M1, M2, M3, M4, M5, M6, M7, M8, M9, M10, M11, M12, M13)	M14	- DCG1803504VHSNAB
111	0159L00071 Harness, comp scroll (M14, M15, M16, M17, M18, M19, M20, M21, M22, M23, M24, M25)	M15	- DCG1803504VHXBAB
111	0159L00070 Harness, compmpressor 460V (M14, M15, M16, M17, M18, M19, M20, M21, M22, M23, M24, M25)	M16	- DCG1803504VHXEAB
121	0130L00019 CRANK CASE HEATER, 70W, 575V (M24, M25)	M17	- DCG1803504VRDBAB
121	0130L00017 CRANK CASE HEATER-70W 240V (M1, M2, M3, M4, M5, M6, M7, M8, M9, M10, M11, M12, M13)	M18	- DCG1803504VVKFAB
121	0130L00018 CRANK CASE HEATER-70W, 480V (M14, M15, M16, M17, M18, M19, M20, M21, M22, M23)	M19	- DCG1803504VXXDAB
131	0164M00018 COMPRESSOR GROMMET (QTY 8)	M20	- DCG1803504VXXBAB
141	B1393740 COMPRESSOR BOLT & SLEEVE (QTY 8)	M21	- DCG1803504VWXXAB
201	0121L00616 RAIL BRACE ANGLE, RIGHT (QTY 4)	M22	- DCG1803504VXXXAA
211	0121L00617 RAIL BRACE ANGLE, LEFT (QTY 4)	M23	- DCG1803504VXXXAB
221	0121L00723 BASE RAIL CORNER BRACE (QTY 4)	M24	- DCG1803507VXXXAA
NS	0121L00722 BASE RAIL, ACCESSORY END	M25	- DCG1803507VXXXAB
NS	0121L00721 BASE RAIL, CONDENSER END (QTY 4)		
NS	0163M00175 CAP WITH O-RING (QTY 4)		
NS	0121L00625 COMPRESSOR RAIL BRACKET (QTY 4)		
NS	0141L00029 FORK BOARD (QTY 2)		
NS	0121L00724 FORK BOARD BRACKET (QTY 4)		
NS	0121L00605 FORK BOARD PLATE		

Blower Assembly



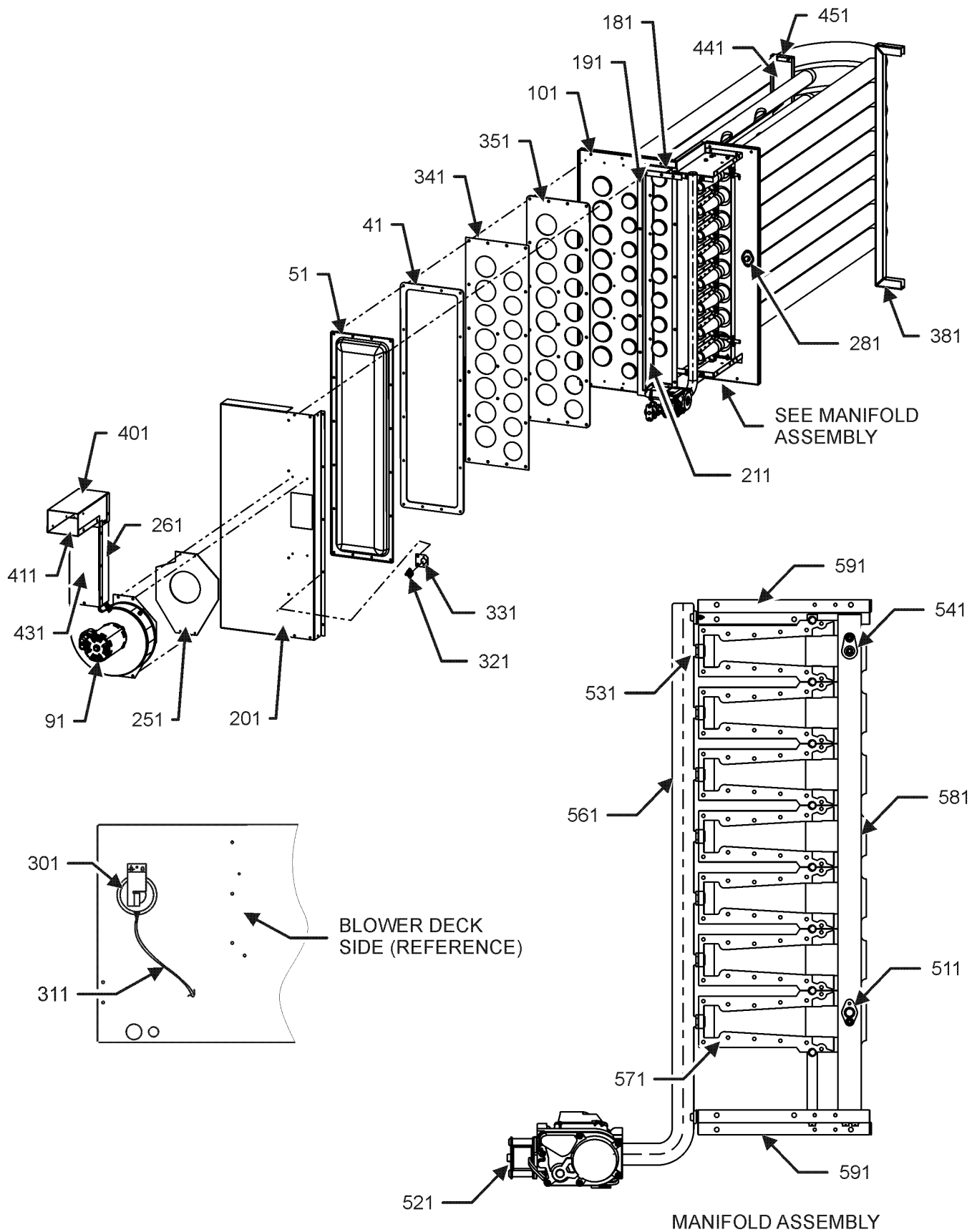
MOTOR SIDE VIEW



Blower Assembly

Ref. Part No: No:	Description:	Ref. Part No: No:	Description:
Image 1:		Expanded Model Nomenclature	
11	0131L00025	MOTOR, 5 HP BELT DRIVE 230V (M1, M2, M3, M4, M5, M6, M7, M8, M9, M10, M11, M12, M13)	M1 - DCG1803503VAXXAA M2 - DCG1803503VHDBAA M3 - DCG1803503VHDDAA M4 - DCG1803503VHDNAA M5 - DCG1803503VHXAAA M6 - DCG1803503VRXXAA M7 - DCG1803503VVDAA M8 - DCG1803503VXXAA M9 - DCG1803503VXZAA M10 - DCG1803503VWXBAA M11 - DCG1803503VXXAAA M12 - DCG1803503VXXXAA M13 - DCG1803503V1DDAA M14 - DCG1803504VHSNAB M15 - DCG1803504VHXBAB M16 - DCG1803504VHXEAB M17 - DCG1803504VRDBAB M18 - DCG1803504VVKFAB M19 - DCG1803504VVXDAB M20 - DCG1803504VXXAB M21 - DCG1803504VWXXAB M22 - DCG1803504VXXXAA M23 - DCG1803504VXXXAB M24 - DCG1803507VXXXAA M25 - DCG1803507VXXXAB
11	0131L00031	MOTOR, 5 HP BELT DRIVE 460 V (M14, M15, M16, M17, M18, M19, M20, M21, M22, M23)	
11	0131L00028	MOTOR, 5 HP BELT DRIVE 575 V (M24, M25)	
31	0163L00052	SHEAVE-VARIABLE PITCH	
41	0163L00141	SHEAVE, FIXED BK110H	
51	0164L00013	FAN BELT-NOTCH HED (M1, M2, M3, M4, M5, M6, M7, M8, M9, M10, M11, M12, M13, M14, M15, M16, M17, M18, M19, M20, M21, M23, M24, M25)	
61	0121L01430	MOTOR BASE (M1, M2, M3, M4, M5, M6, M7, M8, M9, M10, M11, M12, M13, M14, M15, M16, M17, M18, M19, M20, M21, M23, M24, M25)	
61	0121L01049	MOTOR BASE PLATE (M22)	
71	0121L00482	BLOWER SIDE ANGLE (QTY 4)	
81	0121L00654	BLOWER RAIL (QTY 2)	
91	0130M00064	LIMIT	
101	0121L00594	SECONDARY LIMIT BRACKET	
111	0271L00026	150-12R BD 1.18 TWIN BLOWER	
121	0163L00005	SHAFT-BLOWER BELT DRIVE	
251	0163M00351	BOLT, 3/8-16-6 (M1, M2, M3, M4, M5, M6, M7, M8, M9, M10, M11, M12, M13, M14, M15, M16, M17, M18, M19, M20, M21, M23, M24, M25)	
291	0121L01429	BRACKET, DRIVE SCREW (M1, M2, M3, M4, M5, M6, M7, M8, M9, M10, M11, M12, M13, M14, M15, M16, M17, M18, M19, M20, M21, M23, M24, M25)	
NS	0163M00352	3/8-16 JAM NUT (M1, M2, M3, M4, M5, M6, M7, M8, M9, M10, M11, M12, M13, M14, M15, M16, M17, M18, M19, M20, M21, M23, M24, M25)	
NS	0163M00084	HEX LOCKNUT, NYLON INSERT	
NS	0163L00034	HOKED BOLT (M22)	
NS	0121L00557	MOTOR ADJUST BRACKET (M22)	
NS	0163M00085	WASHER (QTY 4)	
NS	B1392923	WASHER / FLAT (M1, M2, M3, M4, M5, M6, M7, M8, M9, M10, M11, M12, M13, M14, M15, M16, M17, M18, M19, M20, M21, M23, M24, M25)	

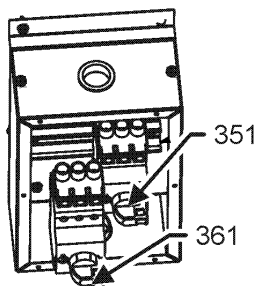
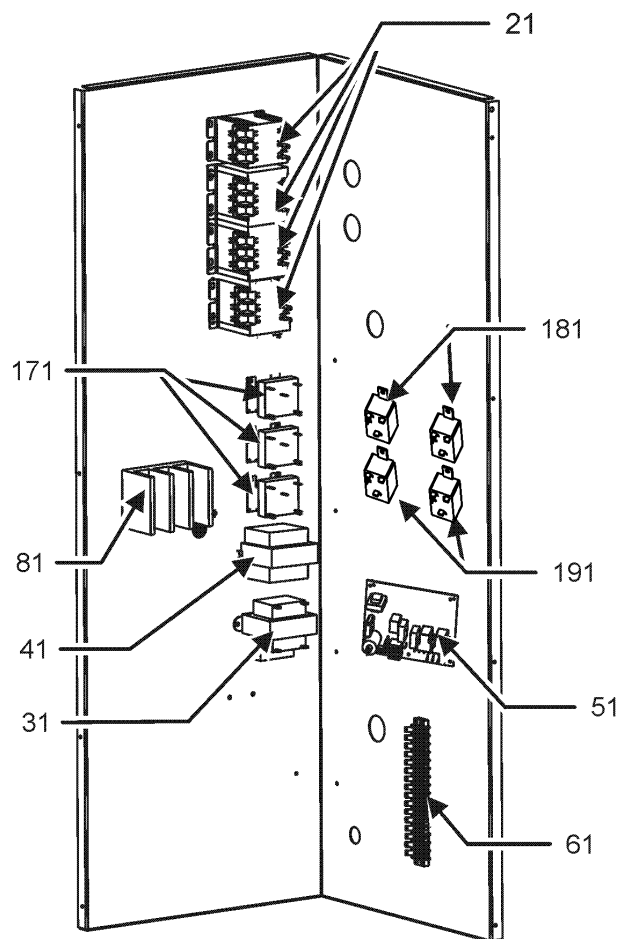
Heat Exchanger Assembly



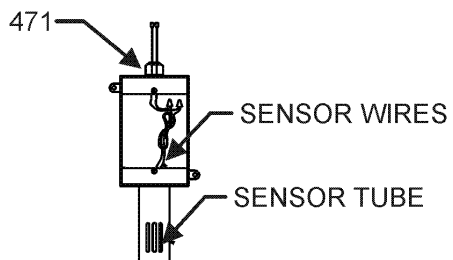
Heat Exchanger Assembly

Ref. Part No:	Description:	Ref. Part No:	Description:
Image 1:		Expanded Model Nomenclature	
41	0154L00025 GASKET-COVER REAR 8	M1	- DCG1803503VAXXAA
51	0121L00545 COVER-REAR 8 TUBE	M2	- DCG1803503VHDBAA
91	0131L00014 MOTOR-ID VENT	M3	- DCG1803503VHDDAA
101	0270L00236 PARTITION TUBE ASSY 7B (M1, M2, M3, M4, M5, M6, M7, M8, M9, M10, M11, M12, M13, M15, M16, M17, M19, M20, M21, M22, M23, M24, M25)	M4	- DCG1803503VHDNAA
101	0270L00237 PARTITION TUBE ASSY 7B, SS (M14, M18)	M5	- DCG1803503VHXAAA
181	0154L00026 INNER COLLECTOR BOX GASKET	M6	- DCG1803503VRXXAA
191	0154L00027 OUTER COLLECTOR BOX GASKET	M7	- DCG1803503VVDAA
201	0121L00707 COVER-COLLECTOR BOX 7	M8	- DCG1803503VXXAA
211	0121L00546 CHANNEL-COLLECTOR BOX 8	M9	- DCG1803503VXZAA
251	0154L00029 ID BLOWER GASKET	M10	- DCG1803503VWXBAA
261	0121L00668 FLUE WRAPPER, BACK	M11	- DCG1803503VXXAAA
281	20162904 PRIMARY LIMIT-TEMPERATURE CONTROL	M12	- DCG1803503VXXXAA
301	11112501 PRESSURE SWITCH	M13	- DCG1803503V1DDAA
311	A3468601 PRESSURE SWITCH HOSE	M14	- DCG1803504VHSNAB
321	10123529 MANUAL RESET LIMIT	M15	- DCG1803504VHXBAB
331	0121L00053 FLAME ROLLOUT BRACKET	M16	- DCG1803504VHXEAB
341	0121L00548 PLATE-TUBE PANEL 8	M17	- DCG1803504VRDBAB
351	0154L00028 GASKET-TUBE PANEL 8	M18	- DCG1803504VVKFAB
381	0121L00930 SUPPORT-HEAT TUBES 2.25	M19	- DCG1803504VVDAB
401	0121L02100 FLUE WRAPPER EXIT (M1, M2, M3, M4, M5, M6, M7, M8, M9, M10, M11, M12, M13, M15, M16, M17, M19, M20, M21, M22, M23, M24, M25)	M20	- DCG1803504VVXXAB
401	0121L00670 FLUE-EXIT WRAPPER (M14, M18)	M21	- DCG1803504VWXXAB
411	0121L00671 FLUE COVER EXIT	M22	- DCG1803504VXXXAA
431	0121L00669 FLUE COVER, FRONT	M23	- DCG1803504VXXXAB
441	0121L00808 SUPPORT-HEAT TUBES 2.25	M24	- DCG1803507VXXXAA
451	0121L00823 BRACKET-TUBE SUPPORT (QTY 2)	M25	- DCG1803507VXXXAB
511	20261709 IGNITOR		
521	0151M00015 VALVE, GAS (HW) VR83		
531	0163L00014 ORIFICE (QTY 7)		
541	0130F00010 FLAME SENSOR		
561	0163L00051 MANIFOLD-GAS, 7 BURNER		
571	0163L00000 BECKETT BURNER (QTY 7)		
581	0121L00656 BRACKET-7 BURNERS		
591	0121G00268 BRACKET-BURNER TOP/BOT (QTY 2)		
NS	0163L00040 FLUE SCREEN		

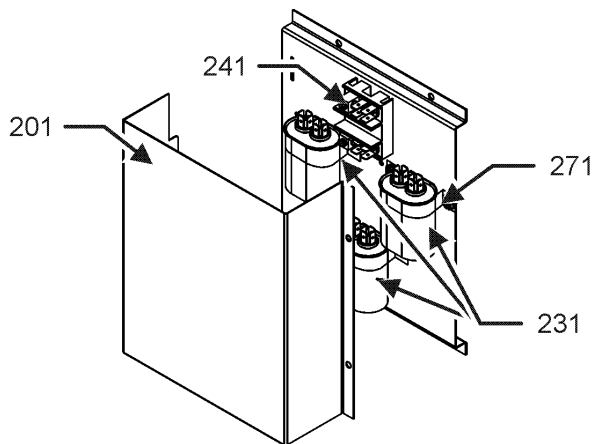
Control Box Assembly



CIRCUIT BREAKER ASSEMBLY

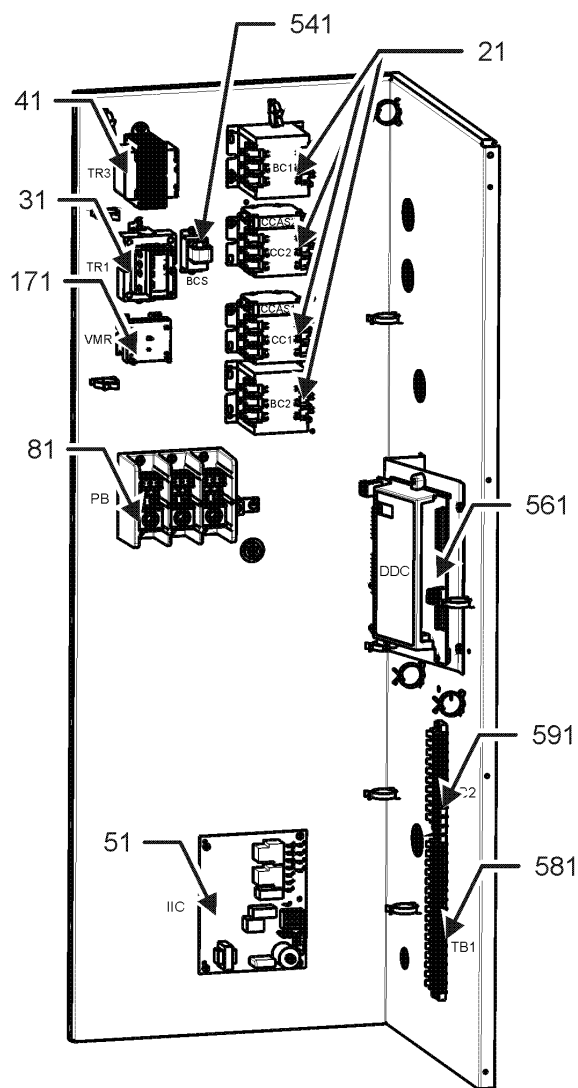


OUTDOOR AIR TEMP SENSOR



CAPACITOR ASSEMBLY

CONTROL PANEL FOR MODELS WITH DDC CONTROL



Control Box Assembly

Ref. Part No:	Ref. Part No:	Description:	Description:
Image 1:		Image 1:	
21	CONT3P030024V	CONTACTOR 30 AMP, 3P, 24V (M14, M15, M16, M17, M18, M19, M20, M21, M22, M23, M24, M25)	NS 0259L00398 HARN, COMP1-CCH-HPS-LPS (M6, M17)
21	CONT3P040024V	CONTACTOR 40 AMP, 3P, 24V (M1, M2, M3, M4, M5, M6, M7, M8, M9, M10, M11, M12, M13)	NS 0259L00392 HARN, DCC 10 PIN CONN (M6, M17)
21	CONT3P050024V	CONTACTOR 50 AMP, 3P, 24V (M1, M2, M3, M4, M5, M6, M7, M8, M9, M10, M11, M12, M13)	NS 0259L00430 HARN, DDC 12 PIN CONN 2 SP (M6, M17)
31	0130L00205	TRANSFORMER (M1, M2, M3, M4, M5, M6, M7, M8, M9, M10, M11, M12, M13)	NS 0259L00389 HARN, DDC 2 PIN CONN (M6, M17)
31	0130L00206	TRANSFORMER (M14, M15, M16, M17, M18, M19, M20, M21, M23)	NS 0259L00390 HARN, DDC 6 PIN CONN (M6, M17)
31	0130L00207	TRANSFORMER (M25)	NS 0259L00391 HARN, DDC 8 PIN CONN (M6, M17)
41	0130M00596	TRANS, 150VA, 480V TO 230V (M14, M15, M16, M17, M18, M19, M20, M21, M23)	NS 0259L00394 HARN, IIC (M6, M17)
41	0130M00597	TRANS, 150VA, 575V TO 230V (M25)	NS 0259L00559 HARN, PWR PB-CC1, CC2 (M17)
41	0130M00595	TRANSFORMER, 75VA, 480V TO 24V (M22)	NS 0259L00395 HARN, TR1 PWR CNTL (M6, M17)
41	0130M00598	TRANSFORMER, 75VA, 575V TO 24V (M24)	NS 0259L00585 HARN,COMP2-CCH-HPS-LPS (M6, M17)
51	PCBAG123	IGNITION BOARD, DSI INTEGRATED	NS 0159L00052 HARNESS JUMPER LONG
61	0130M00038	TERMINAL BOARD	NS 0259L00134 HARNESS, 12 PIN GAS
81	16220-3	BLOCK, POWER (M22, M24)	NS 0259L00429 HARNESS, BC2 POWER (M6, M17)
81	0130M00042	POWER BLOCK (M1, M2, M3, M4, M5, M6, M7, M8, M9, M10, M11, M12, M13, M14, M15, M16, M17, M18, M19, M20, M21, M23, M25)	NS 0259L00164 HARNESS, ECONOMIZER AC (M22, M24)
171	0130M00025	24V RELAY (QTY 3)	NS 0159L00051 HARNESS, JUMPER SHORT
181	0130M00242	RELAY, 24V (QTY 2)	NS 0259L00181 HARNESS-BELT DRIVE 2 SP MOTOR
191	10135604	RELAY (QTY 2)	NS 0259L00187 ISO RELAY HARNESS
201	0121L00586	CAPACITOR COVER	NS 0130L00107 ROOM SENSOR (M6, M17)
231	CAP100000370LA	CAPACITOR 10/370V (M1, M2, M3, M4, M5, M6, M7, M8, M9, M10, M11, M12, M13, M14, M15, M16, M17, M18, M19, M20, M21, M23)	NS 0259L00188 TERMINAL BOARD HARNESS
231	CAP050000370LA	CAPACITOR 5/370V (M22, M24)	NS 0259L00171 TRANSFORMER HARNESS
231	CAP050000440LA	CAPACITOR 5/440V (M25)	NS 0259L00189 TRANSFORMER HARNESS
241	B1368250	TERMINAL BLOCK (HIGH VOLTAGE)	NS 0259L00169 WIRE HARNESS ASSY
271	20520901	CAPACITOR STRAP (QTY 3)	NS 0259L00175 WIRE HARNESS ASSY
351	0130L00083	ROTARY MANUAL MOTOR PROTECTOR (M24, M25)	NS 0259L00193 WIRE HARNESS, ECONOMIZER (M1, M2, M3, M4, M5, M6, M7, M8, M9, M10, M11, M12, M13, M14, M15, M16, M17, M18, M19, M20, M21, M23, M25)
351	0130L00084	ROTARY MANUAL MOTOR PROTECTOR (M1, M2, M3, M4, M5, M6, M7, M8, M9, M10, M11, M12, M13)	NS 0259L00090 WIRE HARNESS-SMOKE DETECTOR (M3, M4, M7, M9, M13, M14, M16, M19)
361	0130L00082	ROTARY MANUAL MOTOR PROTECTOR (M14, M15, M16, M17, M18, M19, M20, M21, M22, M23, M24, M25)	NS 0259L00555 WIRING, HARNESS (M13)
361	0130L00085	ROTARY MANUAL MOTOR PROTECTOR (M1, M2, M3, M4, M5, M6, M7, M8, M9, M10, M11, M12, M13)	
471	0130L00108	OD Air Temp Sensor (M6, M17)	
541	0259L00368	CURRENT SWITCH WITH TERMS (M6, M17)	
561	PCBCG103	PCB, CONTROL, HP, GAS, AC (M6, M17)	
581	0130M00275	TERMINAL BOARD (M6, M17)	
591	0130M00274	TERMINAL BOARD (M6, M17)	
NS	0259L00185	BLOWER RELAY HARNESS	
NS	0259L00186	BLOWER RELAY HARNESS	
NS	0259L00190	CIRCUIT BREAKER HARNESS	
NS	0259L00118	CONDENSER FAN HARNESS, LONG	
NS	0259L00117	CONDENSER FAN HARNESS, MEDIUM	
NS	0259L00116	CONDENSER FAN HARNESS, SHORT	
NS	0259L00183	CRANK CASE HEATER WIRE HARNESS	
NS	0130L00112	Duct Temp Sensor (M6, M17)	

Control Box Assembly

Ref. Part

No: No:

Description:

Ref. Part

No: No:

Description:

Expanded Model Nomenclature

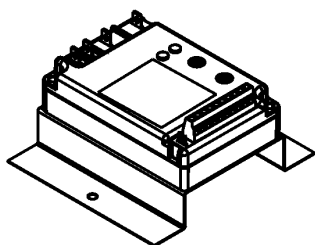
M1 - DCG1803503VAXXAA
M2 - DCG1803503VHDBAA
M3 - DCG1803503VHDDAA
M4 - DCG1803503VHDNAA
M5 - DCG1803503VHXAAA
M6 - DCG1803503VRXXAA
M7 - DCG1803503VVXDAA
M8 - DCG1803503VVXXAA
M9 - DCG1803503VVXZAA
M10 - DCG1803503VWXBAA
M11 - DCG1803503VXXAAA
M12 - DCG1803503VXXXAA
M13 - DCG1803503V1DDAA
M14 - DCG1803504VHSNAB
M15 - DCG1803504VHXBAB
M16 - DCG1803504VHXEAB
M17 - DCG1803504VRDBAB
M18 - DCG1803504VVKFAB
M19 - DCG1803504VVXDAB
M20 - DCG1803504VVXXAB
M21 - DCG1803504VWXXAB
M22 - DCG1803504VXXXAA
M23 - DCG1803504VXXXAB
M24 - DCG1803507VXXXAA
M25 - DCG1803507VXXXAB

Accessory Part List

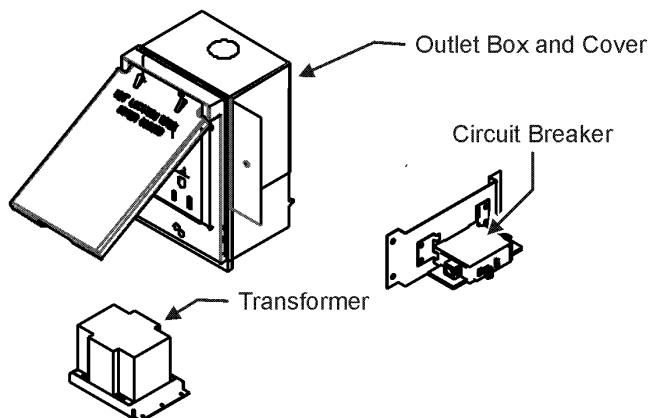
ACCESSORY PARTS LIST

NOTE: NOT ALL OPTIONS AVAILABLE FOR ALL PRODUCTS

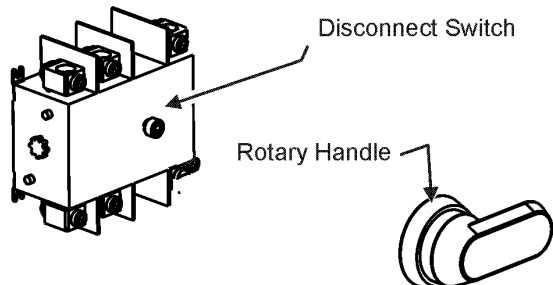
1 LOW AMBIENT KITS



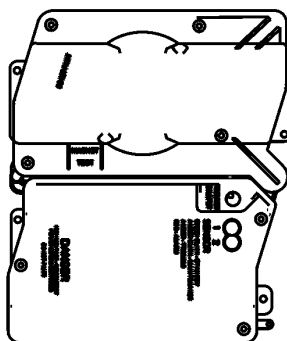
2 GFCI CONVENIENCE OUTLET



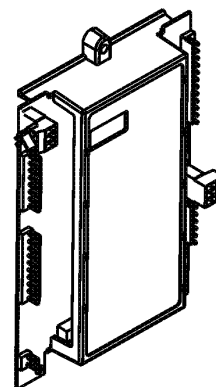
3 DISCONNECT MODULE (NON-FUSED)



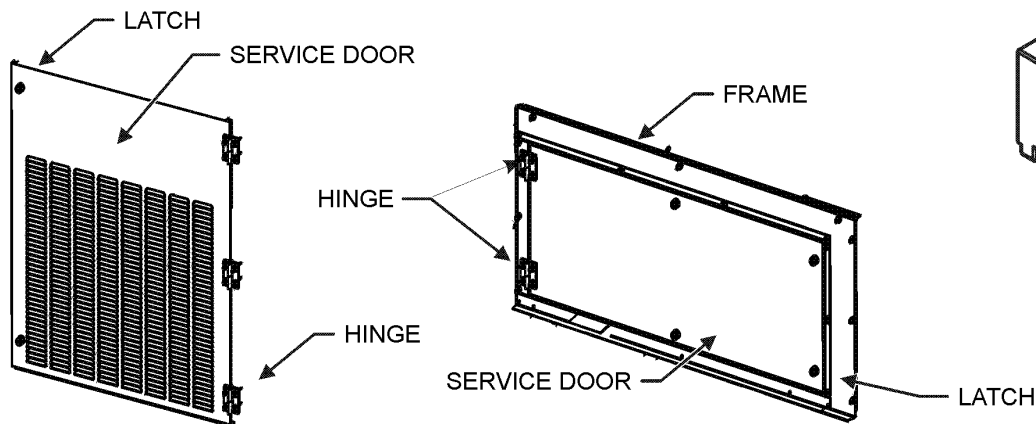
4 SMOKE DETECTORS



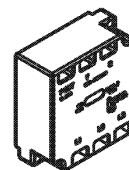
5 DDC CONTROL



6 HINGED DOOR ASSEMBLIES



7 PHASE MONITOR



Accessory Part List

Ref. Part No:	No:	Description:	Ref. Part No:	No:	Description:
Image 1:			Expanded Model Nomenclature		
NS	DDNECNJ180300B	15-25 TON DFLOW ECON (M7, M8, M9, M10, M18, M19, M20, M21)	M1 - DCG1803503V	XXAA	
NS	1036611B	15-25T DFLOW ECON, DDC (M1)	M2 - DCG1803503V	HDBAA	
NS	10366D11B	15-25T DFLOW ECON, DDC (M6, M17)	M3 - DCG1803503V	HDDAA	
NS	0121L00316	BRACKET-CONV OUTLET MOUNT (M2, M4, M5, M10, M11, M14, M15, M17, M18)	M4 - DCG1803503V	HDNAA	
NS	0121L00855	BRACKET-DISCONNECT SWITCH (M2, M4, M5, M10)	M5 - DCG1803503V	HXAAA	
NS	0121L01053	BRACKET-SMOKE DETECTOR (M3, M4, M7, M9, M13, M14, M16, M19)	M6 - DCG1803503V	RXXAA	
NS	0130M00065	CIRCUIT BREAKER, CONVENIENCE OUTLET (M2, M4, M10, M14, M15, M17)	M7 - DCG1803503V	VXDAA	
NS	0121L01603NG	CONTROL DOOR (M2, M3, M4, M13, M17, M18)	M8 - DCG1803503V	VXXAA	
NS	0121L00839NG	DISCONNECT COVER (M2, M3, M4, M5, M6, M10, M13, M14, M15, M16, M17, M21)	M9 - DCG1803503V	VXZAA	
NS	0121L01601NG	FILTER DOOR (M2, M3, M4, M13, M17, M18)	M10 - DCG1803503V	WXBAA	
NS	0130L00012	GANG BOX-GFCI OUTLET (M2, M4, M5, M10, M11, M14, M15, M17, M18)	M11 - DCG1803503V	XXAAA	
NS	0130L00039	HANDLE, ROTARY (M2, M4, M5, M10)	M12 - DCG1803503V	XXXAA	
NS	0163M00307	HINGE, LEFT HAND (M2, M3, M4, M13, M17, M18)	M13 - DCG1803503V	1DDAA	
NS	0163M00360	LATCH (M2, M3, M4, M13, M17, M18)	M14 - DCG1803504V	HSNAB	
NS	0130M00059	LOW AMBIENT KIT (M18)	M15 - DCG1803504V	HXBAB	
NS	0121L01486NG	PNT, SERVICE DOOR BACK BLOWER (M2, M3, M4, M13, M17, M18)	M16 - DCG1803504V	HXEAB	
NS	0121L01484NG	PNT, SERVICE DOOR FRAME BLOWER (M2, M3, M4, M13, M17, M18)	M17 - DCG1803504V	RDBAB	
NS	0121L01485NG	PNT, SERVICE DOOR FRONT BLOWER (M2, M3, M4, M13, M17, M18)	M18 - DCG1803504V	VKFAB	
NS	0161G00012	POWER OUTLET BOX (M2, M4, M5, M10, M11, M14, M15, M17, M18)	M19 - DCG1803504V	VXDAB	
NS	0130L00103	RECEPTACLE-GFCI OUTLET (M2, M4, M5, M10, M11, M14, M15, M17, M18)	M20 - DCG1803504V	VXXAB	
NS	RS400	REMOTE SENSOR (M13)	M21 - DCG1803504V	WXXAB	
NS	SP400	SENSOR PACK (M13)	M22 - DCG1803504V	XXXAA	
NS	0121L01486NG	SERVICE DOOR BACK BLOWER (M2, M3, M4, M13, M17, M18)	M23 - DCG1803504V	XXXAB	
NS	0121L01485NG	SERVICE DOOR FRONT BLOWER (M2, M3, M4, M13, M17, M18)	M24 - DCG1803507V	XXXAA	
NS	0130L00058	SHAFT, CUT (M2, M4, M5, M10)	M25 - DCG1803507V	XXXAB	
NS	0130L00059	SHAFT, CUT (M14, M15, M16, M17, M21)			
NS	0130L00049	SHAFT, DISCONNECT (M2, M3, M4, M5, M6, M10, M13, M14, M15, M16, M17, M21)			
NS	D4120	SMOKE DETECTOR, PHOTO 4WIRE (M3, M4, M7, M9, M13, M14, M16, M19)			
NS	D4S	SMOKE DETECTOR, SENSOR ONLY (M9)			
NS	ECP400-5	SURVEYOR ECP (M13)			
NS	0130L00027	SWITCH-DISCONNECT 100A (M2, M4, M5, M10)			
NS	0130L00046	SWITCH-DISCONNECT 60A (M14, M15, M16, M17, M21)			
NS	0130M00061	TRANSFORMER, CONVENIENCE OUTLET (M2, M4, M10, M14, M15, M17)			
NS	0259L00555	WIRE HARNESS (M13)			