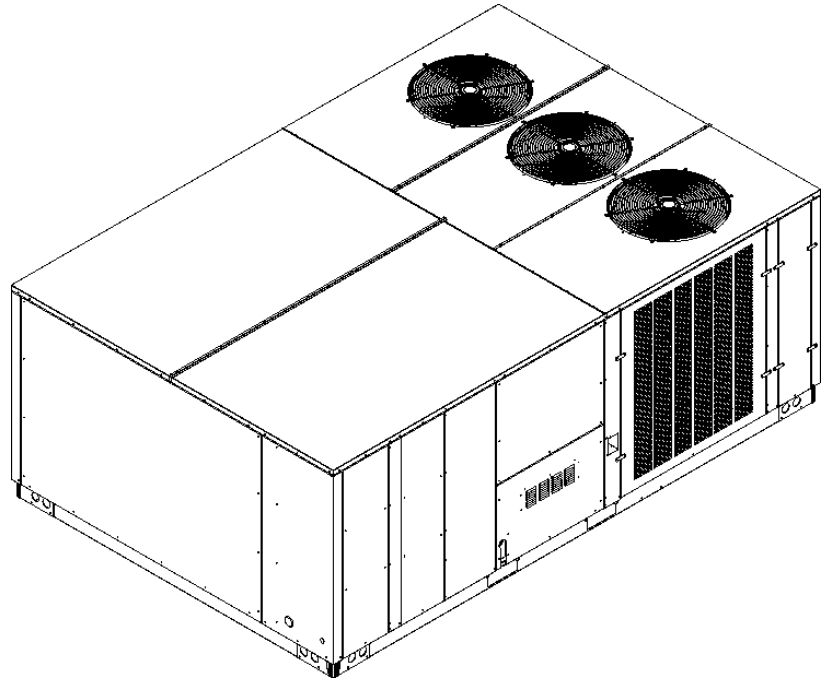


Commercial 15 Ton High Static Package Gas Units

DCG1803503HHKBAA

DCG1803503HXXXAA



This manual is to be used by qualified technicians only.

© 2017 **DAIKIN COMPANY, L.P.** ♦ 5151 San Felipe St., Suite 500 ♦ Houston, TX 77056

Important Information

Index

Functional Parts List	3
Illustration and Parts	4 - 21

Views shown are for parts illustrations only, not servicing procedures.

Text Codes:

AR - As Required

NA - Not Available

NS - Not Shown

00000000 - See Note

QTY - Quantity Example (QTY 3) (If Quantity not shown, Quantity = 1)

M - Model Example (M1) (If M Code not shown, then part is used on all Models)

Expanded Model Nomenclature:

Example
M1 - Model#1
M2 - Model#2
M3 - Model#3

Daikin Company, L.P. is not responsible for personal injury or property damage resulting from improper service. Review all service information before beginning repairs.

Warranty service must be performed by an authorized technician, using authorized factory parts. If service is required after the warranty expires, Daikin Company, L.P. also recommends contacting an authorized technician and using authorized factory parts.

Daikin Company, L.P. reserves the right to discontinue, or change at any time, specifications or designs without notice or without incurring obligations.

For assistance within the U.S.A. contact:

Equipment Support
Daikin North America, LLC
19001 Kermier Road
Waller, Texas 77484
855-770-5678-Telephone
713-863-2382-Facsimile

For assistance outside the U.S.A. contact:

International Division
Daikin North America, LLC
19001 Kermier Road
Waller, Texas 77484
713-861-2500-Telephone
713-863-2382-Facsimile

Functional Parts

Part

No: Description:

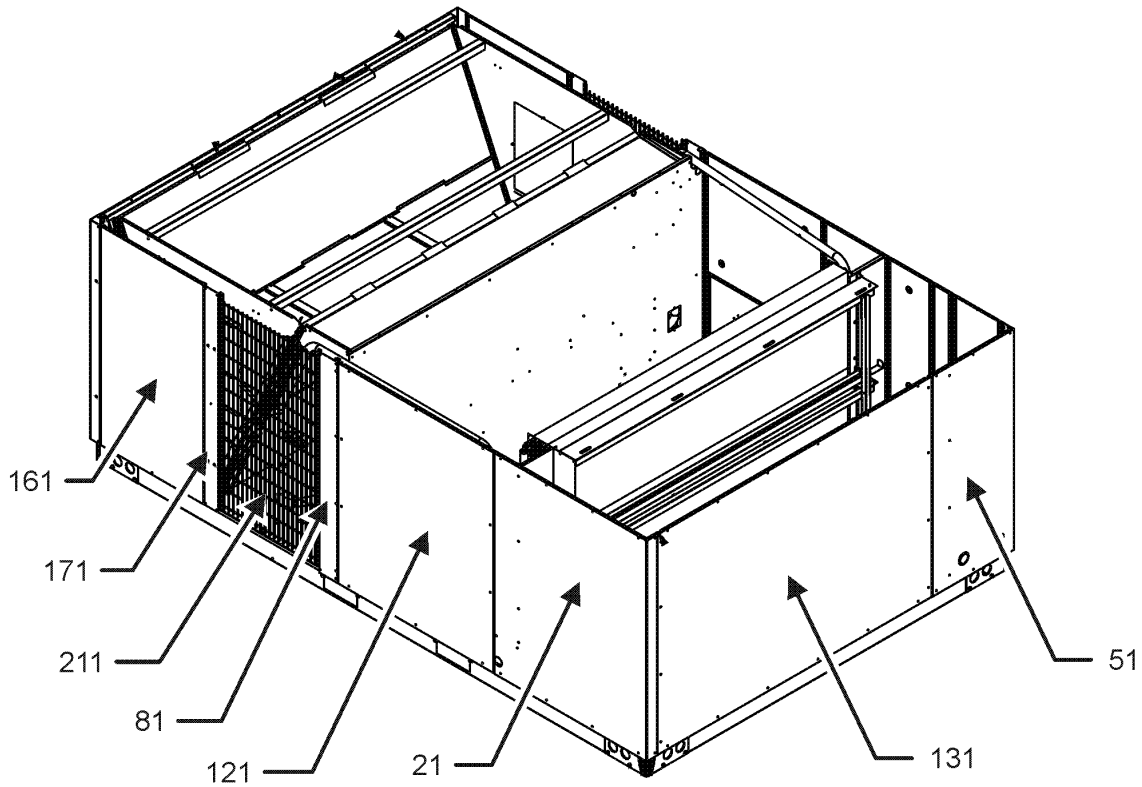
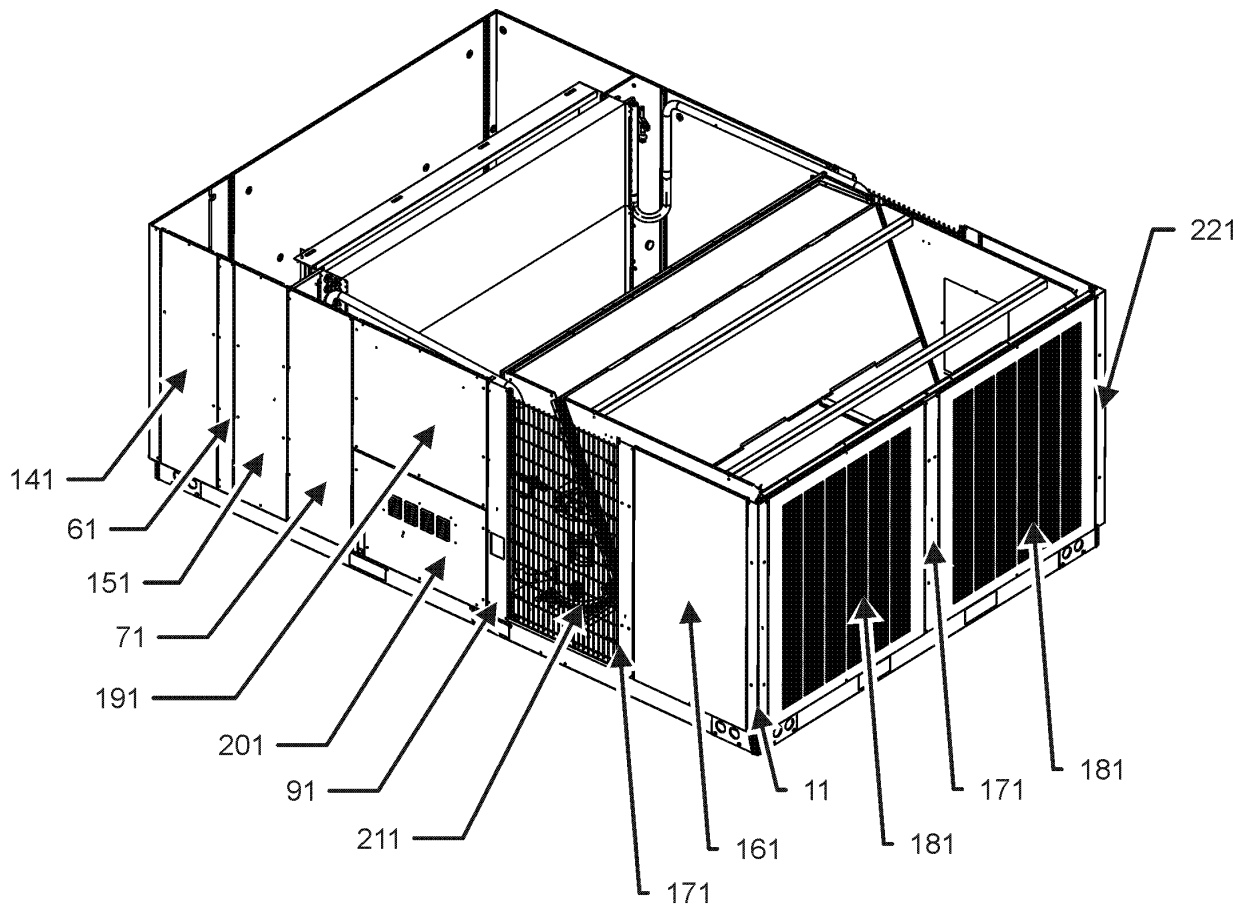
0271L00026	150-12R BD 1.18 TWIN BLOWER
0130M00025	24V RELAY (QTY 3)
0163L00000	BECKETT BURNER (QTY 7)
CAP100000370LA	CAPACITOR 10/370V (QTY 3)
ZP83KCETF5250	COMPRESSOR 83000, 200/230/60/3 (QTY 2)
0131M00430	COND MOTOR 1/3 HP, 1 SP, 6 PL (QTY 3)
0131M00274	COND MOTOR 5.0 HP
CONT3P040024V	CONTACTOR 40 AMP, 3P, 24V (QTY 2)
0130L00017	CRANK CASE HEATER-70W 240V (QTY 2)
0130M00074	CUT-OUT SWITCH, HIGH PRESSURE (QTY 2)
0130M00087	CUT-OUT SWITCH, LOW PRESSURE (QTY 2)
0164L00007	FAN BELT, NOTCHED
10625733	FAN BLADE 22" ALUM CCW (QTY 3)
0130F00010	FLAME SENSOR
PCBAG123	IGNITION BOARD, DSI INTEGRATED
20261709	IGNITOR
0130M00064	LIMIT
10123529	MANUAL RESET LIMIT-GREEN
11112501	PRESSURE SWITCH
0130M00038	TERMINAL BOARD
0130M00144	TRANSFORMER
0151M00015	VALVE, GAS (HW) VR83
0131L00014	VENT MOTOR

Expanded Model Nomenclature

M1 - DCG1803503HHKBAA

M2 - DCG1803503HXXXAA

Cabinet Assembly



Cabinet Assembly

Ref. Part No: No:	Description:	Ref. Part No: No:	Description:
-------------------	--------------	-------------------	--------------

Image 1:

11	0121L01143NG	POST, CORNER (QTY 2)
21	0121L00681NG	EVAP PANEL
51	0121L00679NG	CONTROL CORNER PANEL (M2)
51	0121L01900NG	CONTROL CORNER PANEL (M1)
51	0121L01601NG	FILTER DOOR (M1)
61	0121L02048NG	CONTROL/FILTER POST (M2)
61	0121L01937NG	PNT. POST-CONTROL.FILTER (M1)
71	0121L01479NG	BLOWER DOOR POST (M1)
71	0121L00710NG	POST/BLOWER DOOR (M2)
81	0121L00903NG	POST PARTITION-EVAP SIDE
91	0121L01524NG	POST PARTITION, GAS FLUE (M1)
91	0121L00904NG	POST PARTITION-GAS FLUE (M2)
121	0121L00685NG	BLOWER DOOR-EVAP SIDE
131	0121L00688NG	ACCESSORY PANEL
141	0121L00687NG	CONTROL DOOR (M2)
141	0121L01603NG	CONTROL DOOR (M1)
151	0121L00686NG	FILTER DOOR (M2)
161	0121L00907NG	PANEL-COND SIDE (QTY 2)
171	0121L01144NG	POST, COND PANEL (QTY 3)
181	0121L01174NG	PANEL-LOUVER, END (QTY 2)
191	0121L00713NG	BLOWER DOOR-GAS SIDE
201	0121L00712NG	BURNERS DOOR
211	0152L00000	GRILLE-CONDENSER (QTY 2)
221	0121L00476NG	TURNBUCKLE DOOR (QTY 16)
NS	0121L00562NG	HOOD-COMBUSTION AIR
NS	M0204317	SCREW-MACHINE (QTY 16)

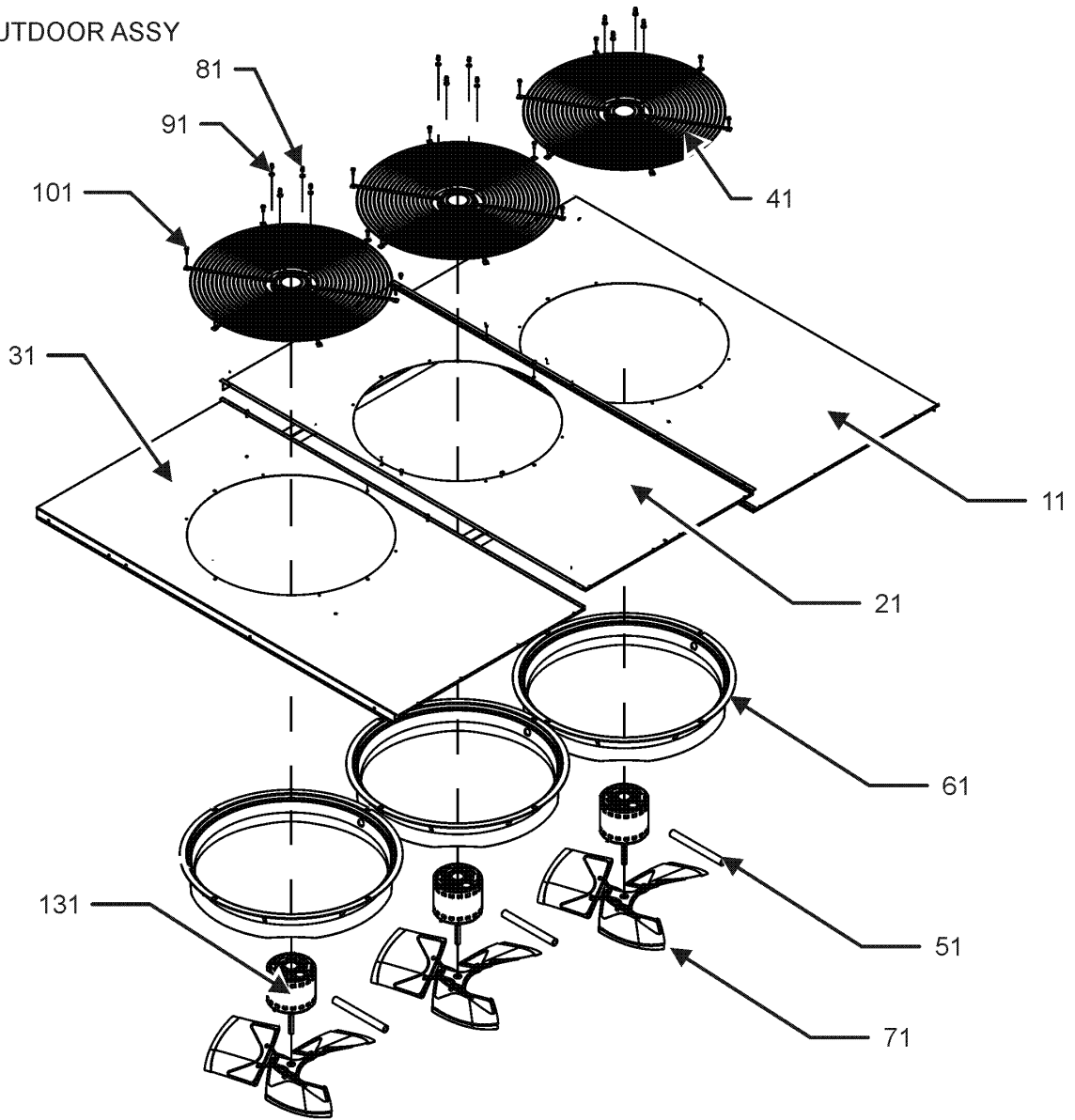
Expanded Model Nomenclature

M1 - DCG1803503HHKBAA

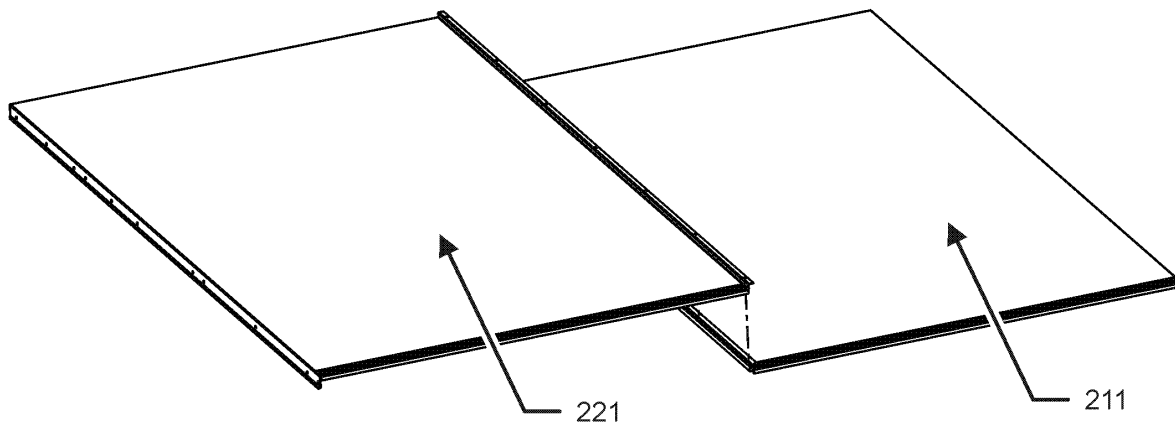
M2 - DCG1803503HXXXAA

Top Panel Assembly

TOP PANEL OUTDOOR ASSY



TOP PANEL INDOOR ASSY



Top Panel Assembly

Ref. Part No:	No:	Description:	Ref. Part No:	No:	Description:
---------------	-----	--------------	---------------	-----	--------------

Image 1:

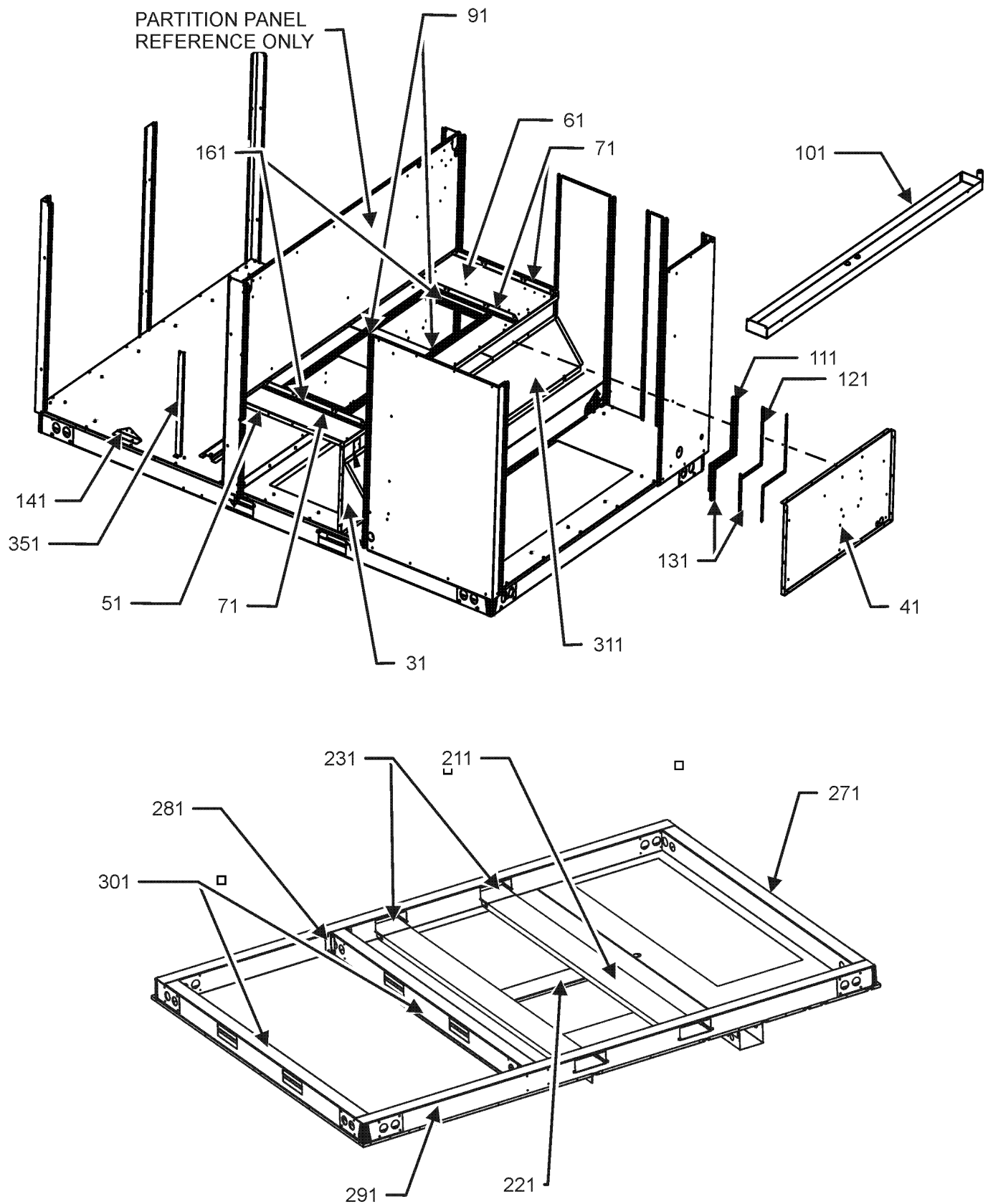
11	0121L01038NG	TOP-FAN,CONTROL SIDE
21	0121L01039NG	TOP-FAN, CENTER
31	0121L01040NG	TOP-FAN, EVAP SIDE
41	0152G00003	FAN GRILLE (QTY 3)
51	17788000083F	PVC CONDUIT 8.25" (QTY 3)
61	0161L00000	VENTURI RING 22" (QTY 3)
71	10625733	FAN BLADE 22" ALUM CCW (QTY 3)
81	0163M00006P	ACORN NUT 5/16 HEX BLACK (QTY 12)
91	0163M00005P	WASHER BLACK (.50 OD .218ID) (QTY 12)
101	0163M00004	SCREW #10X3/4", BLACK (QTY 24)
131	0131M00430	COND MOTOR 1/3 HP, 1 SP, 6 PL (QTY 3)
211	0121L00693NG	TOP-CONTROL SIDE
221	0121L00694NG	TOP PANEL ASSY
NS	M0272803	WASHER-LOCK (QTY 3)

Expanded Model Nomenclature

M1 - DCG1803503HHKBAA

M2 - DCG1803503HXXXAA

Partition Assembly



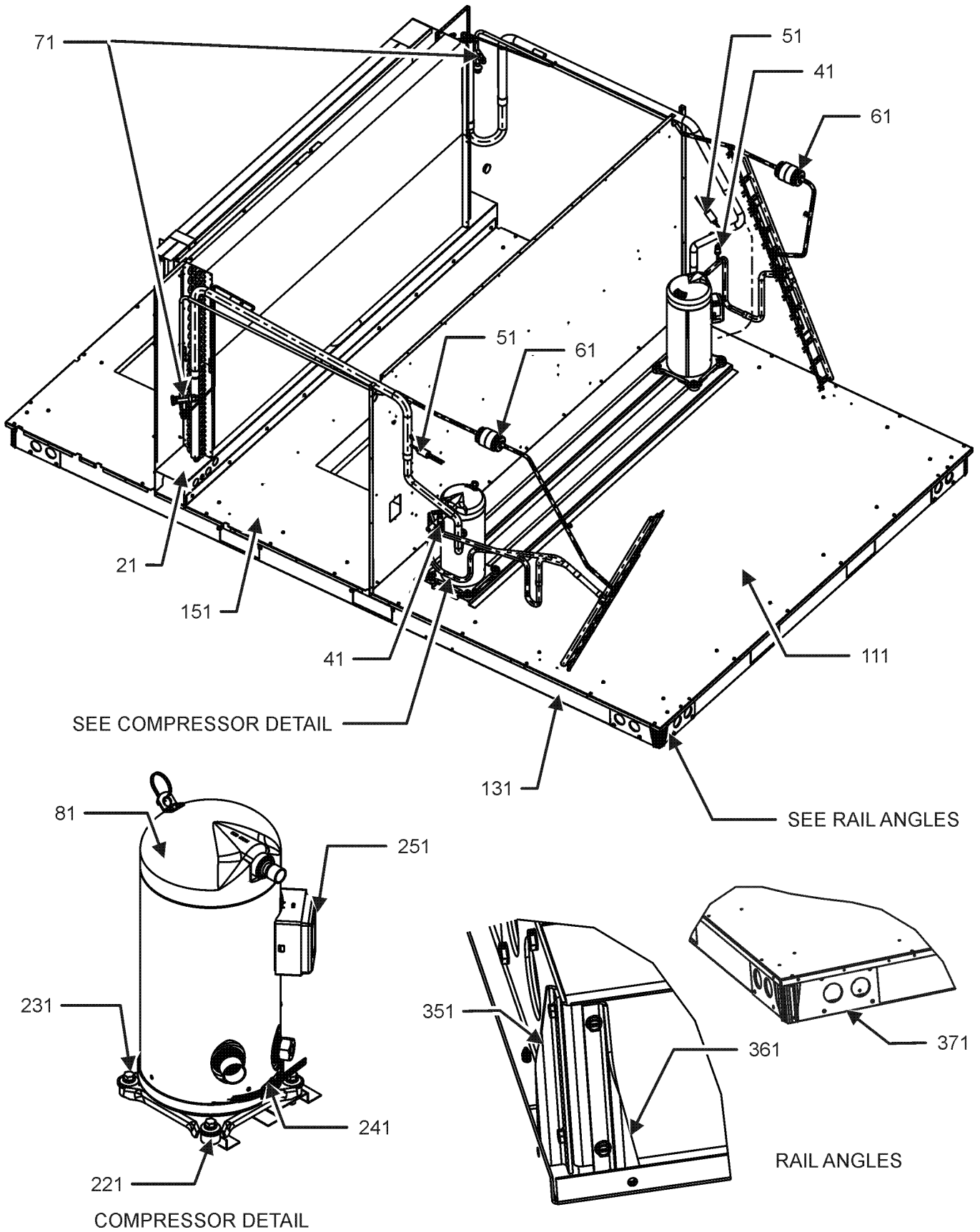
Partition Assembly

Ref. Part No:	No:	Description:	Ref. Part No:	No:	Description:
<i>Image 1:</i>					
31	0121L01163	DECK, SIDE DUCT END			
41	0121L01162	DECK, SIDE HEAT END			
51	0121L00652	BLOWER DECK, EVAP SIDE			
61	0121L00653	BLOWER DECK, MOTOR SIDE			
71	0121L01431	MOTOR MOUNT ANGLE (QTY 3)			
91	0121L00478	BLOWER DECK RAIL (QTY 2)			
101	0270L00612DG	WELDMENT-DRAIN PAN			
111	0121L00551	HEAT EXCHANGER ANGLE, RH SIDE			
121	0121L00552	HEAT EXCHANGER ANGLE, LH SIDE			
131	0121L00553	LOWER HEAT EXCHANGER ANGLE (QTY 2)			
141	0121L00913	BRACKET-COND/BASEPAN (QTY 2)			
161	0121L00481	BLOWER RAIL (QTY 2)			
211	0141L00029	FORK BOARD (QTY 2)			
221	0121L00605	FORK BOARD PLATE			
231	0121L00724	FORK BOARD BRACKET (QTY 4)			
241	0121L00721	BASE RAIL, CONDENSER END (QTY 2)			
271	0121L00722	BASE RAIL, ACCESSORY END			
281	0121L00625	COMPRESSOR RAIL BRACKET (QTY 4)			
291	0121L00719	CONTROL SIDE BASE RAIL			
301	0121L00721	BASE RAIL, CONDENSER END (QTY 2)			
311	0121L01158	SHIELD, BLOWOFF			
351	0121L00901	BRACE-COND COILS (QTY 2)			
NS	0121L00321	SMOKE DETECTOR COVER			

Expanded Model Nomenclature

M1 - DCG1803503HHKBAA
M2 - DCG1803503HXXXAA

Compressor & Tubing Assembly



Compressor & Tubing Assembly

Ref. Part No: No:	Description:	Ref. Part No: No:	Description:
-------------------	--------------	-------------------	--------------

Image 1:

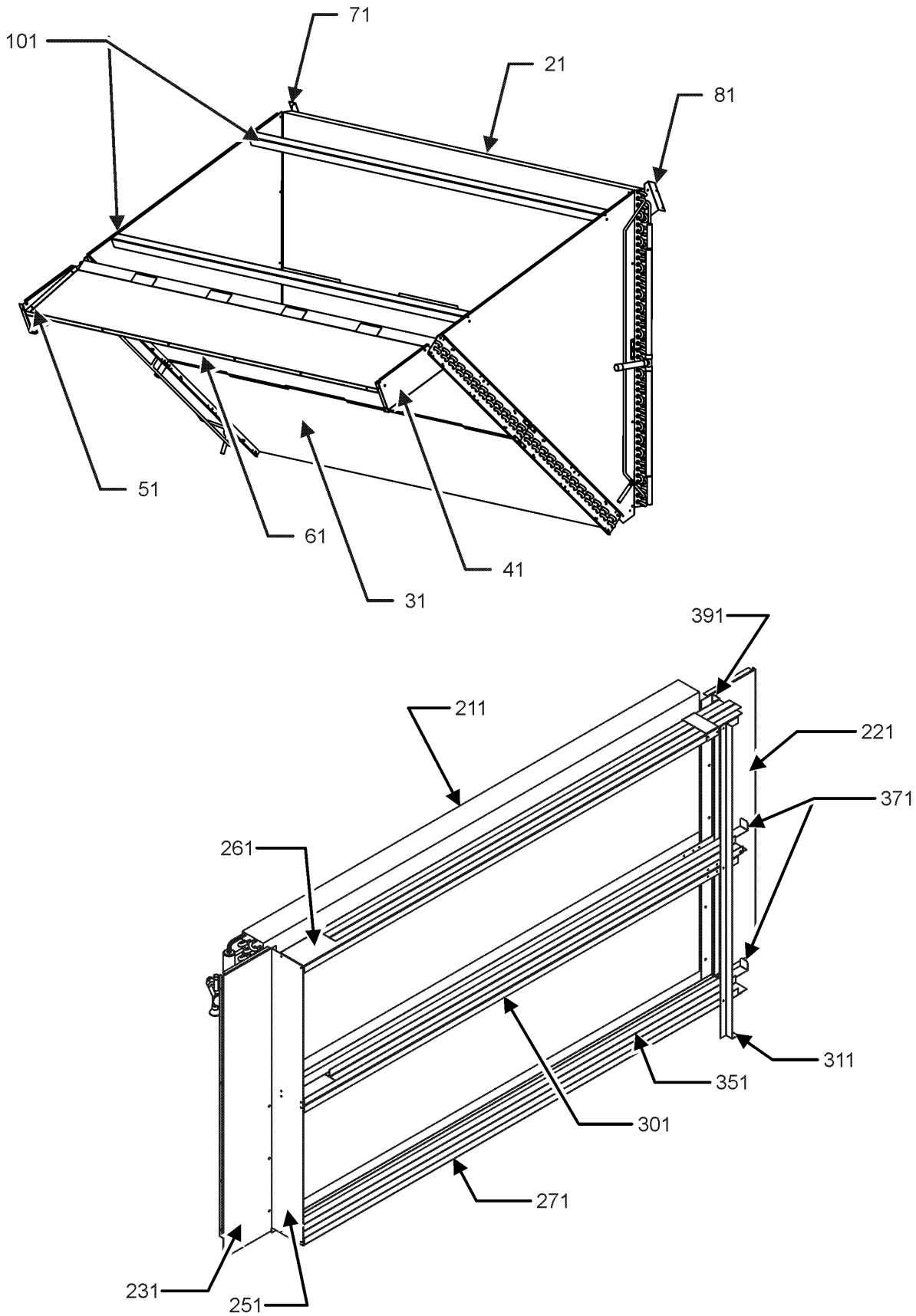
21	0121L00947	BASEPAN RETURN
41	0130M00074	CUT-OUT SWITCH, HIGH PRESSURE (QTY 2)
51	0130M00087	CUT-OUT SWITCH, LOW PRESSURE (QTY 2)
61	0151M00012	BI-FLOW FILTER DRIER (QTY 2)
71	0151L00011	VALVE, TXV R-410A (QTY 4)
81	ZP83KCETF5250	COMPRESSOR 83000, 200/230/60/3 (QTY 2)
111	0121L00902	BASEPAN OUTDOOR
131	0121L00720	SIDE RAIL
151	0121L00948	BASE PAN-SUPPLY
221	0164M00018	COMPRESSOR GROMMET (QTY 8)
231	B1393740	COMPRESSOR BOLT & SLEEVE (QTY 8)
241	0130L00017	CRANK CASE HEATER-70W 240V (QTY 2)
251	0159L00020	COMPRESSOR SCROLL HARNESS
251	0159L00021	COMPRESSOR SCROLL HARNESS
351	0121L00616	RAIL BRACE ANGLE, RIGHT (QTY 4)
361	0121L00617	RAIL BRACE ANGLE, LEFT (QTY 4)
371	0121L00723	BASE RAIL CORNER BRACE (QTY 4)
NS	0163M00175	CAP WITH O-RING (QTY 4)

Expanded Model Nomenclature

M1 - DCG1803503HHKBAA

M2 - DCG1803503HXXXAA

Condenser & Evaporator Assembly



Condenser & Evaporator Assembly

Ref. Part No:	No:	Description:	Ref. Part No:	No:	Description:
<i>Image 1:</i>					
21	0201L00123	CONDENSER COIL ASSY, C1			
31	0201L00124	CONDENSER COIL ASSY C2			
41	0121L01154	BRACKET, CONDENSER END C1			
51	0121L01156	BRACKET, CONDENSER END C2			
61	0121L00572	CONDENSER BLOCKOFF, INSIDE TOP			
71	0121L01155	BRACKET, COND/POST C1			
81	0121L01153	BRACKET, COND/POST C2			
101	0121L01037	ANGLE, TOP BRACE (QTY 2)			
211	0202L00047	EVAPORATOR COIL ASSY (QTY 2)			
221	0121L00698	EVAPORATOR BLOCKOFF PANEL			
231	0121L00848	PANEL-EVAPORATOR, SMOKE DET			
251	0121L00933	ANGLE-FILTER, LEFT VERTICAL			
261	0121L01180	ANGLE FILTER, TOP			
271	0121L01179	ANGLED-FILTER BOTTOM			
301	0270L00658	WELDMENT-FILTER, CENTER			
311	0121L00632	FILTER SUPPORT ANGLE			
351	0121L00703	BOTTOM BLOCKOFF, FILTER RACK			
371	0121L00640	FILTER PULL (QTY 2)			
391	0121L01508	BLOCKOFF-RIGHT SIDE			
NS	0160L00137	Air Filter 20x25x2 (QTY 6)			

Expanded Model Nomenclature

M1 - DCG1803503HHKBAA
M2 - DCG1803503HXXXAA

Blower Assembly

Ref. Part No:	No:	Description:	Ref. Part No:	No:	Description:
---------------	-----	--------------	---------------	-----	--------------

Image 1:

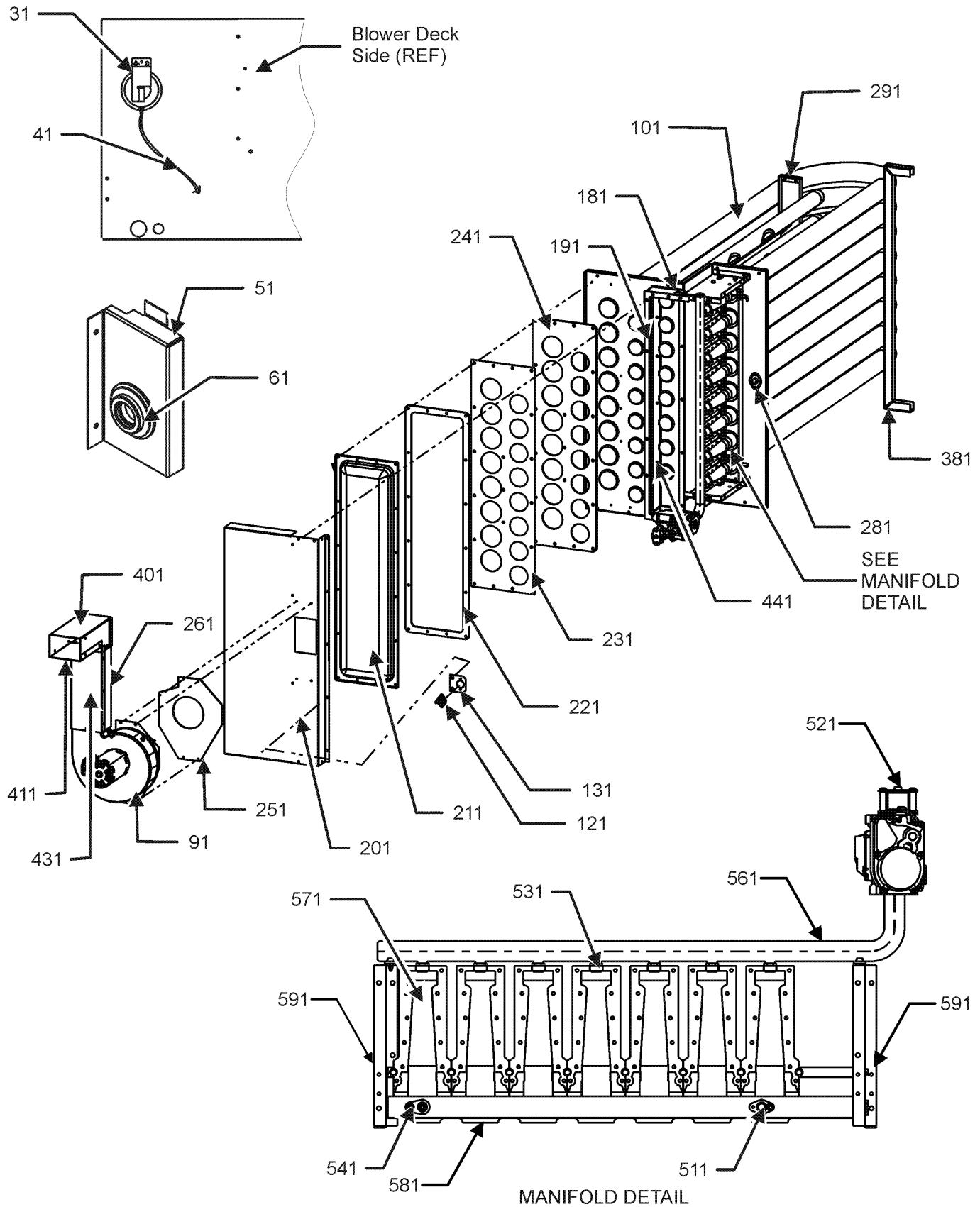
11	0131M00274	COND MOTOR 5.0 HP
21	0130M00064	LIMIT
31	0163L00035	VARIABLE PITCH SHEAVE
41	0163L00149	SHEAVE, FIXED BK75H
51	0164L00007	FAN BELT, NOTCHED
61	0121L01430	BASE, MOTOR
71	0121L00482	BLOWER SIDE ANGLE (QTY 4)
81	0121L00654	BLOWER RAIL (QTY 2)
91	0121L01429	BRACKET, DRIVE SCREW
101	0163M00351	BOLT, 3/8-16-6
121	0121L00594	SECONDARY LIMIT BRACKET
241	0271L00026	150-12R BD 1.18 TWIN BLOWER

Expanded Model Nomenclature

M1 - DCG1803503HHKBAA

M2 - DCG1803503HXXXAA

Heat Exchanger & Burner Assembly



Heat Exchanger & Burner Assembly

Ref. Part No:	Part No:	Description:	Ref. Part No:	Part No:	Description:
<i>Image 1:</i>					
31	11112501	PRESSURE SWITCH			
41	A3468601	PRESSURE SWITCH HOSE			
51	0121L00697	GAS VALVE PIPE BRACKET			
61	B1910013	GAS LINE GROMMET			
91	0131L00014	VENT MOTOR			
101	0270L00236	PARTITION TUBE ASSY 7B (M2)			
101	0270L00237	PARTITION TUBE ASSY 7B, SS (M1)			
121	10123529	MANUAL RESET LIMIT-GREEN			
131	0121L00053	FLAME ROLLOUT BRACKET			
181	0154L00026	INNER COLLECTOR BOX GASKET			
191	0154L00027	OUTER COLLECTOR BOX GASKET			
201	0121L00707	COVER-COLLECTOR BOX 7			
211	0121L00545	COVER-REAR			
221	0154L00025	COVER GASKET			
231	0121L00548	PLATE-TUBE PANEL			
241	0154L00028	TUBE PANEL GASKET			
251	0154L00029	ID BLOWER GASKET			
261	0121L00668	FLUE WRAPPER, BACK			
281	20162904	PRIMARY LIMIT-TEMPERATURE CONTROL			
291	0121L00808	SUPPORT-HEAT TUBES			
381	0121L00930	SUPPORT-HEAT TUBES 2.25			
401	0121L00668	FLUE WRAPPER, BACK			
411	0121L00671	FLUE COVER EXIT			
431	0121L00669	FLUE COVER, FRONT			
441	0121L00546	CHANNEL-COLLECTOR BOX			
511	20261709	IGNITOR			
521	0151M00015	VALVE, GAS (HW) VR83			
531	0163L00014	ORIFICE (QTY 7)			
541	0130F00010	FLAME SENSOR			
561	0163L00051	GAS MANIFOLD, 7 BURNER			
571	0163L00000	BECKETT BURNER (QTY 7)			
581	0121L00656	BRACKET-7 BURNERS			
591	0121G00268	BRACKET-BURNER TOP/BOT (QTY 2)			
NS	0163L00040	FLUE SCREEN			

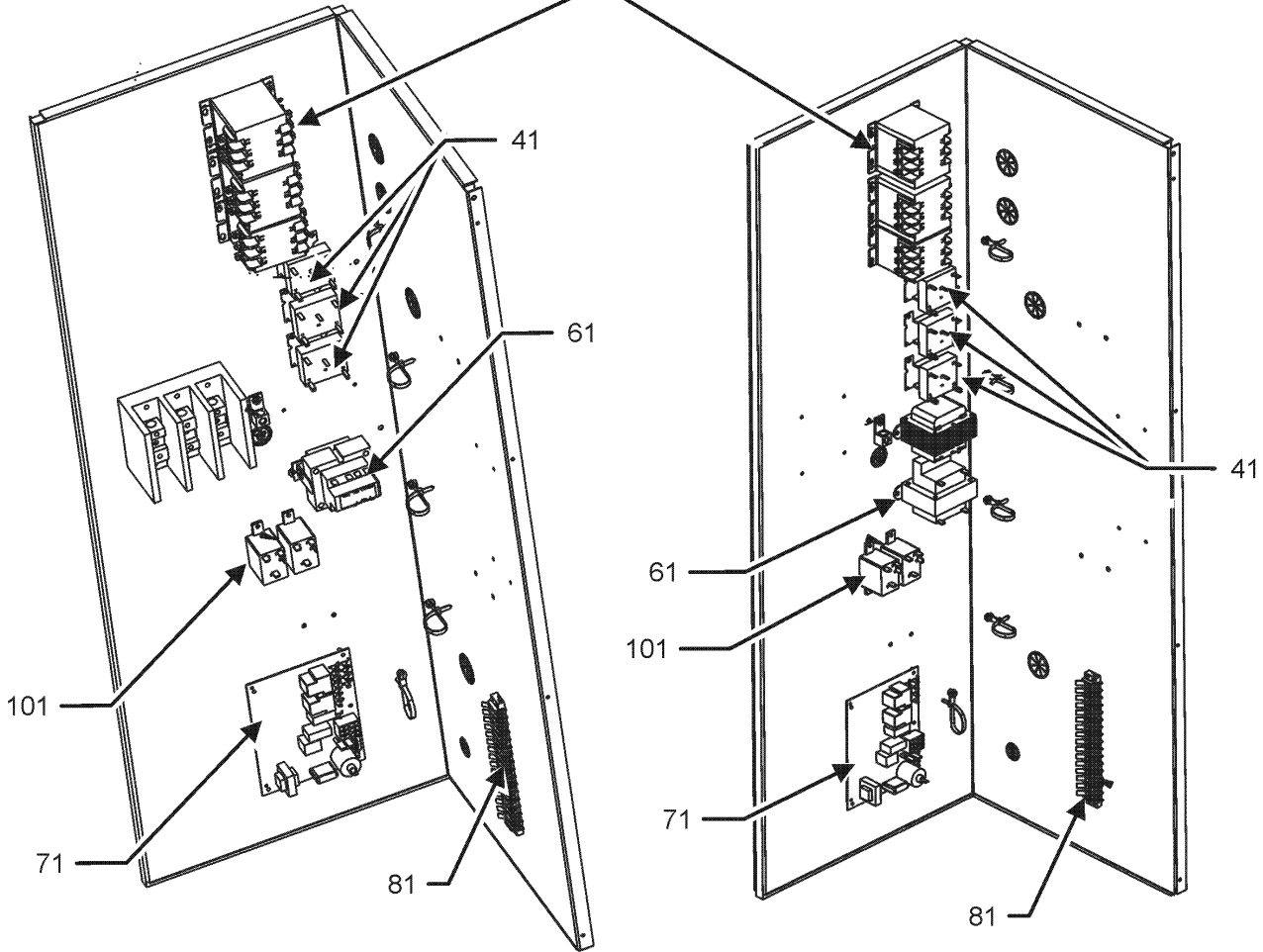
Expanded Model Nomenclature

M1 - DCG1803503HHKBAA

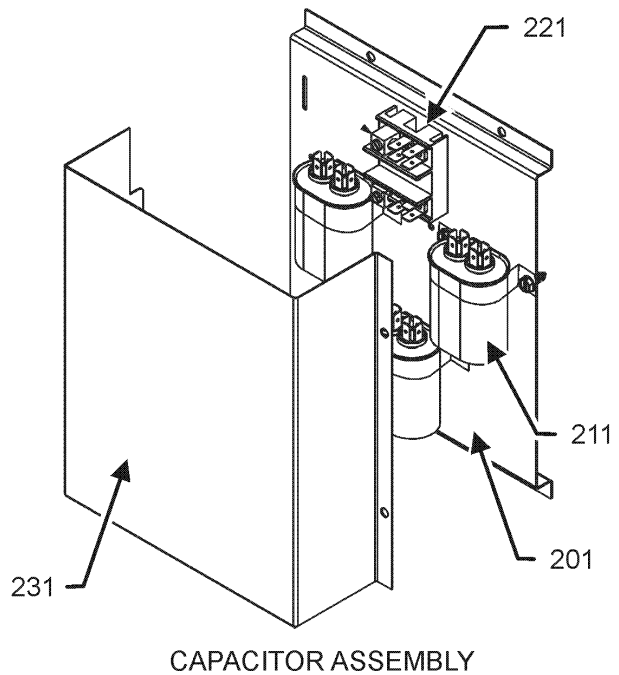
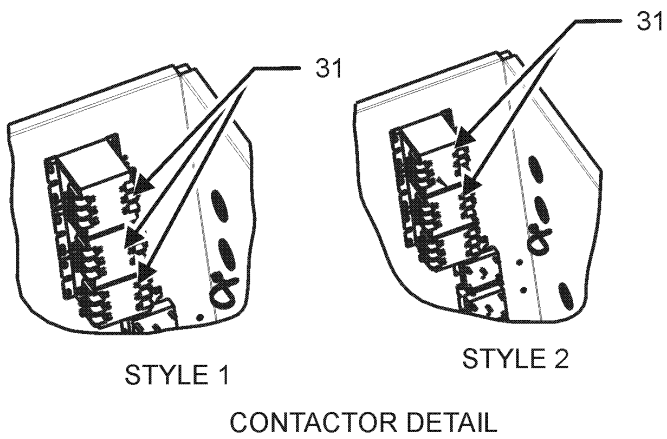
M2 - DCG1803503HXXXAA

Control Box & Capacitor Assembly

SEE CONTACTOR DETAIL



CONTROL BOX ASSEMBLY MAY DIFFER FROM WHAT IS SHOWN



Control Box & Capacitor Assembly

Ref. Part No: No:	Description:	Ref. Part No: No:	Description:
-------------------	--------------	-------------------	--------------

Image 1:

31	CONT3P040024V	CONTACTOR 40 AMP, 3P, 24V (QTY 2)
41	0130M00025	24V RELAY (QTY 3)
61	0130M00144	TRANSFORMER
71	PCBAG123	IGNITION BOARD, DSI INTEGRATED
81	0130M00038	TERMINAL BOARD
101	0130M00242	RELAY, 24V (QTY 2)
201	0121L00585	CAPACITOR MOUNTING PLATE
211	CAP100000370LA	CAPACITOR 10/370V (QTY 3)
221	B1368250	TERMINAL BLOCK (HIGH VOLTAGE)
231	0121L00586	CAPACITOR COVER
NS	20520901	CAPACITOR STRAP (QTY 3)
NS	0259L00118	CONDENSER FAN HARNESS, LONG
NS	0259L00117	CONDENSER FAN HARNESS, MEDIUM
NS	0259L00116	CONDENSER FAN HARNESS, SHORT
NS	0259L00134	HARNESS, 12 PIN GAS
NS	0259L00135	HARNESS, CONTROL GAS
NS	0259L00164	HARNESS, ECONOMIZER AC
NS	0259L00101	MOTOR HARNESS-BELT DRIVE
NS	0259L00136	WIRE HARNESS ASSY

Expanded Model Nomenclature

M1 - DCG1803503HHKBAA

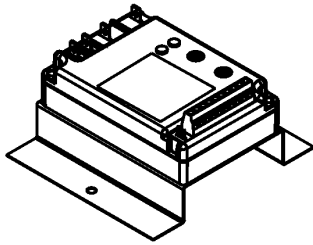
M2 - DCG1803503HXXXAA

Accessory Parts List

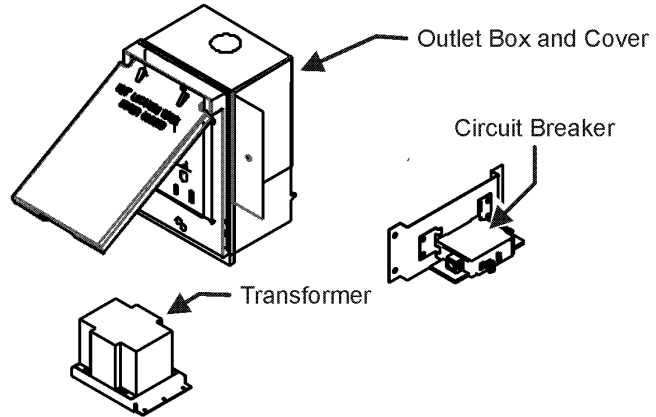
ACCESSORY PARTS LIST

NOTE: NOT ALL OPTIONS AVAILABLE FOR ALL PRODUCTS

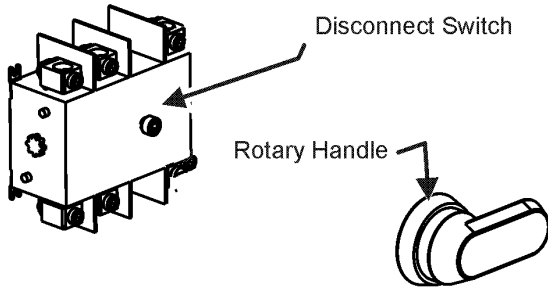
1 LOW AMBIENT KITS



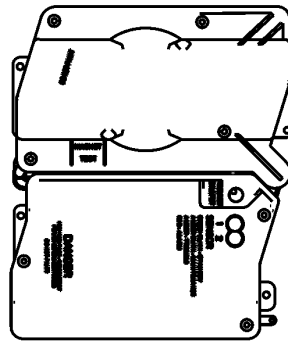
2 GFCI CONVENIENCE OUTLET



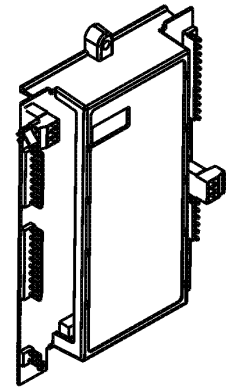
3 DISCONNECT MODULE (NON-FUSED)



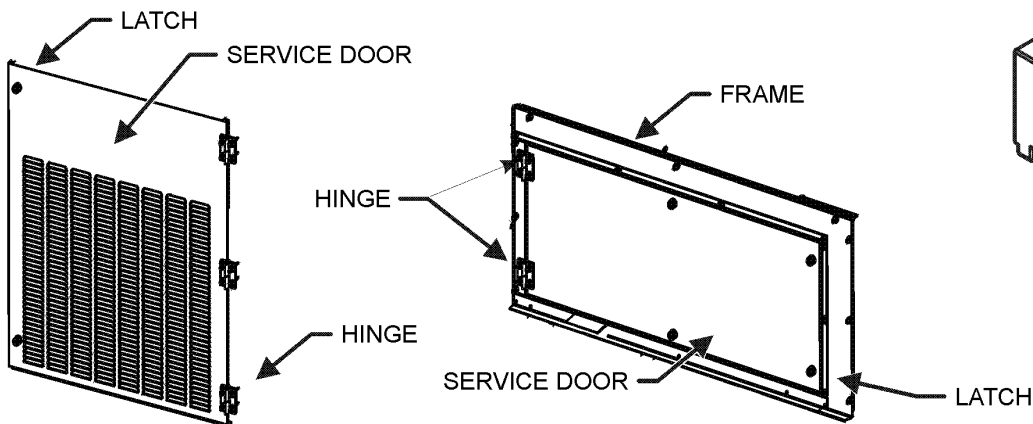
4 SMOKE DETECTORS



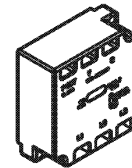
5 DDC CONTROL



6 HINGED DOOR ASSEMBLIES



7 PHASE MONITOR



Accessory Parts List

Ref. Part No: No:	Description:	Ref. Part No: No:	Description:
<i>Image 1:</i>			
NS 0121L00316	BRACKET-CONV OUTLET MOUNT (M1)		
NS 0121L00855	BRACKET-DISCONNECT SWITCH (M1)		
NS 0130M00065	CIRCUIT BREAKER, CONVENIENCE OUTLET (M1)		
NS 0121L01603NG	CONTROL DOOR (M1)		
NS 0121L00839NG	DISCONNECT COVER (M1)		
NS 0121L01601NG	FILTER DOOR (M1)		
NS 0130L00012	GANG BOX-GFCI OUTLET (M1)		
NS 0130L00039	HANDLE, ROTARY (M1)		
NS 0163M00307	HINGE, LEFT HAND (M1)		
NS 0161G00012	POWER OUTLET BOX (M1)		
NS 0130L00103	RECEPTACLE-GFCI OUTLET (M1)		
NS 0121L01484NG	SERVICE DOOR FRAME, BLOWER (M1)		
NS 0130L00058	SHAFT, CUT (M1)		
NS 0130L00049	SHAFT, DISCONNECT (M1)		
NS 0130L00027	SWITCH-DISCONNECT 100A (M1)		
NS 0130M00061	TRANSFORMER, CONVENIENCE OUTLET (M1)		

Expanded Model Nomenclature

M1 - DCG1803503HHKBAA

M2 - DCG1803503HXXXAA