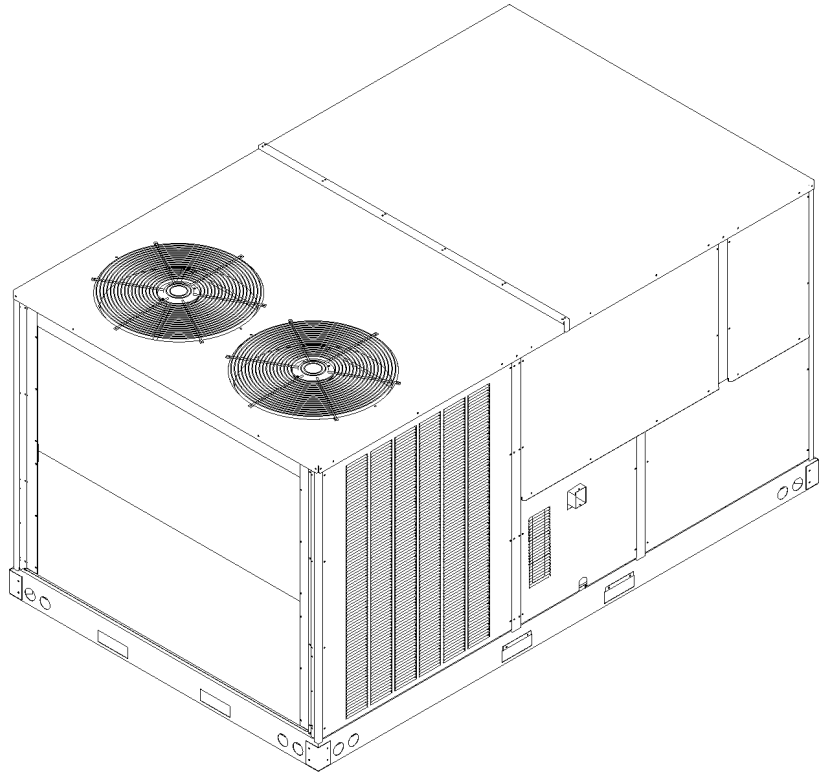


Commercial 12.5 Ton 2-Speed Package Gas Unit

DCG1502103VAXWAA
DCG1502103VHXBAA
DCG1502103VRXXAA
DCG1502103VVDAAA
DCG1502103VVXZAA
DCG1502103VWXOAA
DCG1502103VXSXAA
DCG1502103VXXNAA
DCG1502103VXXXAA
DCG1502104VASUAA
DCG1502104VMXAAA
DCG1502104VXXXAA
DCG1502107VXXXAA
DCG1502107VXXXAB



This manual is to be used by qualified technicians only.

This manual replaces RP-D1045J.

Important Information

Index

Functional Parts List	3
Illustration and Parts	4 - 17

Views shown are for parts illustrations only, not servicing procedures

Text Codes:

AR - As Required

NA - Not Available

NS - Not Shown

00000000 - See Note

QTY - Quantity Example (QTY 3) (If Quantity not shown, Quantity = 1)

M - Model Example (M1) (If M Code not shown, then part is used on all Models)

Expanded Model Nomenclature:

Example M1 - Model#1 M2 - Model#2 M3 - Model#3

Daikin Company, L.P. is not responsible for personal injury or property damage resulting from improper service. Review all service information before beginning repairs.

Warranty service must be performed by an authorized technician, using authorized factory parts. If service is required after the warranty expires, Daikin Company, L.P. also recommends contacting an authorized technician and using authorized factory parts.

Daikin Company, L.P. reserves the right to discontinue, or change at any time, specifications or designs without notice or without incurring obligations.

For assistance within the U.S.A. contact:

Equipment Support
Daikin North America, LLC
19001 Kermier Road
Waller, Texas 77484
855-770-5678-Telephone
713-863-2382-Facsimile

For assistance outside the U.S.A. contact:

International Division
Daikin North America, LLC
19001 Kermier Road
Waller, Texas 77484
713-861-2500-Telephone
713-863-2382-Facsimile

Functional Parts

Part

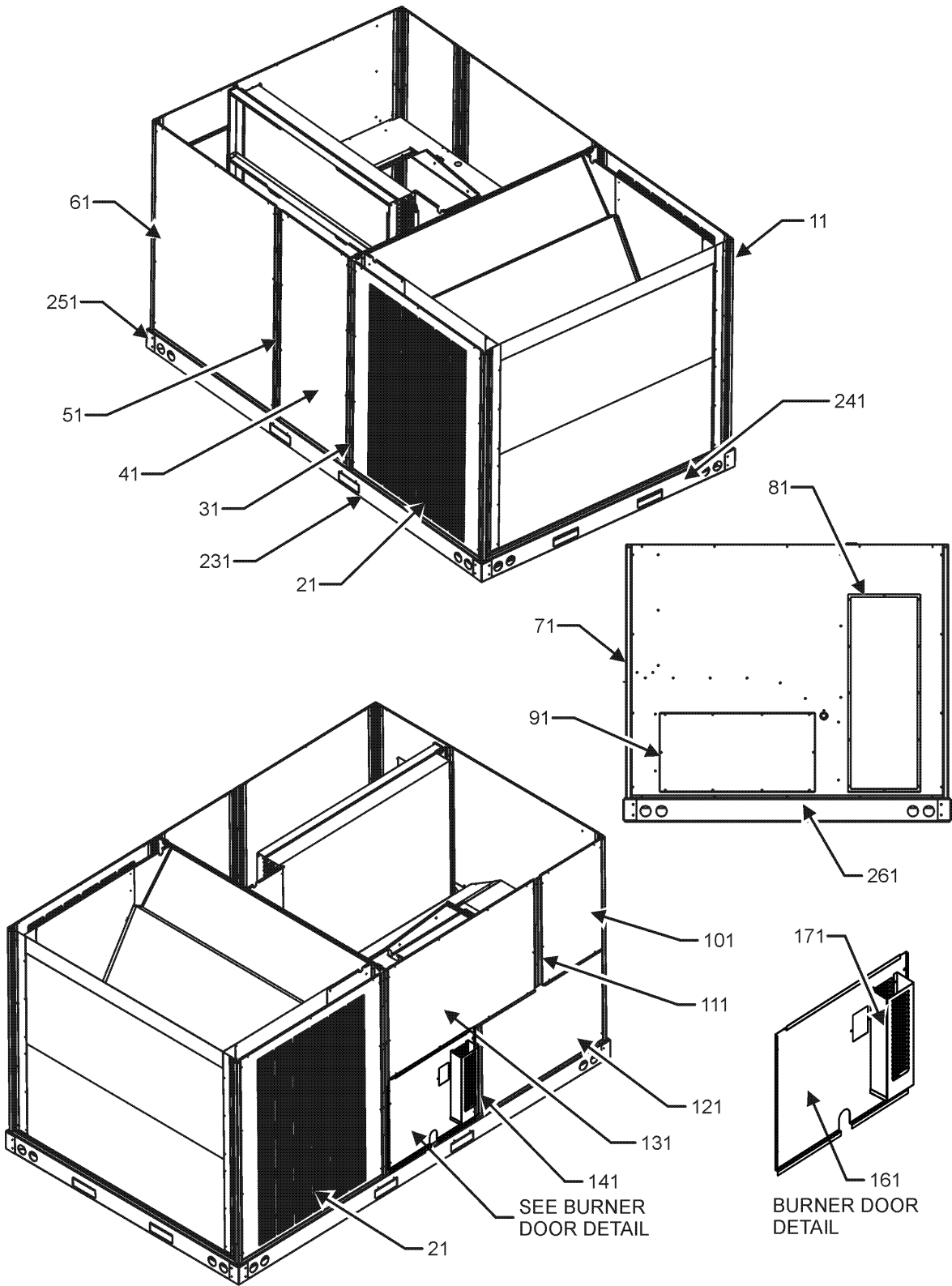
No: Description:

0130M00025	24V RELAY
CAP100000370LA	CAPACITOR 10/370V (M1, M2, M3, M4, M5, M6, M7, M8, M9, M10, M11, M12)
CAP050000370LA	CAPACITOR 5/370V (M13)
CAP050000440LA	CAPACITOR 5/440V (M14)
ZP67KCETFD130	COMPRESSOR 67000, 460/60/3 (M10, M11, M12)
ZP67KCETF5130	COMPRESSOR 67500, 200/230/60/3 (M1, M2, M3, M4, M5, M6, M7, M8, M9)
ZP67KCETFE130	COMPRESSOR 67500, 575/60/3 (M13, M14)
0131M00430	COND MOTOR 1/3 HP, 1 SP, 6 PL (M1, M2, M3, M4, M5, M6, M7, M8, M9)
0131M00179	COND MOTOR 1/3 HP, 6 PL, 575V (M13)
0131M00500	COND MOTOR 1/3 HP, OD, LAK (M14)
CONT3P030024V	CONTACTOR 30 AMP, 3P, 24V (M3, M11)
0259L00368	CURRENT SWITCH WITH TERMS (M3, M11)
0130M00074	CUT-OUT SWITCH, HIGH PRESSURE (QTY
PCBCG100	DDC Controller (M3, M11)
0130L00112	Duct Temp Sensor (M3, M11)
0164L00019	FAN BELT, NOTCHED
10625733	FAN BLADE 22" ALUM CCW (QTY 2)
0130F00010	FLAME SENSOR
0151L00000	GAS VALVE (36H)
PCBAG123	IGNITION BOARD, DSI INTEGRATED
20261709	IGNITOR
0130M00075	LOW PRESSURE SWITCH (QTY 2)
10123532	MANUAL RESET LIMIT 350°F
0131M00774	MOTOR, 1/3 HP, OD (M10, M11, M12)
0131L00024	MOTOR, 3 HP BELT DRIVE 230V (M1, M2, M3, M4, M5, M6, M7, M8, M9)
0131L00030	MOTOR, 3 HP BELT DRIVE 460 V (M10, M11, M12)
0131L00027	MOTOR, 3 HP BELT DRIVE 575 V (M13, M14)
0130L00108	OD Air Temp Sensor (M3, M11)
16330-3	POWER BLOCK
16330-3	POWER BLOCK (M3, M11)
11112501	PRESSURE SWITCH
0130F00036	PRIMARY LIMIT - PINK
B1370187	PRIMARY LIMIT SWITCH 160°F
10135604	RELAY (QTY 2)
0130M00242	RELAY, 24V (QTY 2)
0130M00038	TERMINAL BOARD
0130M00274	TERMINAL BOARD (M3, M11)
0130M00275	TERMINAL BOARD (M3, M11)
0130M00144	TRANSFORMER (M1, M2, M3, M4, M5, M6, M7, M8, M9)
0130M00146	TRANSFORMER 480V TO 230V, 150VA (M11)
0130M00145	TRANSFORMER 480V to 24V, 75VA (M10, M11, M12)
0130M00147	TRANSFORMER 575V TO 230V, 150VA (M13, M14)
0130M00148	TRANSFORMER 575V to 24V, 75VA (M13, M14)
0131L00002	VENT MOTOR

Expanded Model Nomenclature

M1 - DCG1502103VAXWAA
M2 - DCG1502103VHXBAA
M3 - DCG1502103VRXXAA
M4 - DCG1502103VVDAAA
M5 - DCG1502103VVXZAA
M6 - DCG1502103VWXOAA
M7 - DCG1502103VXSXAA
M8 - DCG1502103VXXNAA
M9 - DCG1502103VXXXAA
M10 - DCG1502104VASUAA
M11 - DCG1502104VMXAAA
M12 - DCG1502104VXXXAA
M13 - DCG1502107VXXXAA
M14 - DCG1502107VXXXAB

Cabinet Assembly



Cabinet Assembly

Ref. Part No:	Part No:	Description:	Ref. Part No:	Part No:	Description:
---------------	----------	--------------	---------------	----------	--------------

Image 1:

11	0121L00979RFNG	CORNER POST (QTY 4)			
11	0121L01421RFNG	CORNER POST, RF PAINTED (M4)			
21	0152L00001	GRILLE-CONDENSER (QTY 2)			
31	0121L00980RFNG	ROLL FORM SIDE POST (M1, M2, M3, M5, M6, M7, M8, M9, M10, M11, M12, M13, M14)			
31	0121L01423RFNG	SIDE POST (M4)			
41	0121L00759NG	FILTER DOOR			
51	0121L01433RFNG	FILTER DOOR POST (M4)			
51	0121L00757RFNG	FILTER POST (M1, M2, M3, M5, M6, M7, M8, M9, M10, M11, M12, M13, M14)			
61	0121L00378NG	ECONOMIZER DOOR (M2, M7, M8, M9, M11, M12, M13, M14)			
71	0121L01287NG	DUCT PANEL (M1, M5, M7, M8, M9, M12, M13, M14)			
71	0121L01367NG	DUCT PANEL (M2, M3, M6, M11)			
71	0121L01368NG	DUCT PANEL (M4, M10)			
81	0121L00082NG	RETURN DUCT COVER			
91	0121L00099NG	SUPPLY DUCT COVER			
101	0121L01078NG	CONTROL DOOR			
111	0121L01422RFNG	CONTROL BOX POST (M4)			
111	0121L00817RFNG	CONTROL POST (M1, M2, M3, M5, M6, M7, M8, M9, M10, M11, M12, M13, M14)			
121	0121L00767NG	ELECTRIC HEAT DOOR			
131	0121L00819NG	BLOWER DOOR			
141	0121L00765RFNG	BURNER BOX POST			
161	0121L00766NG	BURNER DOOR			
171	0121L00129	DOOR RAIN SHIELD			
231	0121L01099RF	RAIL, BASE SIDES (QTY 2)			
241	0121L00834RF	RAIL, BASE ENDS			
251	0121G00301	RAIL CORNER BRACKET (QTY 4)			
261	0121L00071RF	RAIL-BASE DUCT END			
NS	0121L00727	ECONOMIZER COVER (M4, M5, M6)			
NS	0121L01310	ECONOMIZER COVER (M1, M3, M10)			
NS	0164L00009	GASKET-RUBBER, CPOST (QTY 3)			
NS	0164L00011	GASKET-RUBBER, SIDE POST (QTY 4)			

Expanded Model Nomenclature

M1 - DCG1502103VAXWAA
M2 - DCG1502103VHXBAA
M3 - DCG1502103VRXXAA
M4 - DCG1502103VVDAAA
M5 - DCG1502103VVXZAA
M6 - DCG1502103VWXOAA
M7 - DCG1502103VXSXAA
M8 - DCG1502103VXXNAA
M9 - DCG1502103VXXXAA
M10 - DCG1502104VASUAA
M11 - DCG1502104VMXAAA
M12 - DCG1502104VXXXAA
M13 - DCG1502107VXXXAA
M14 - DCG1502107VXXXAB

Top Panel and Tubing Assembly

IMAGE 1

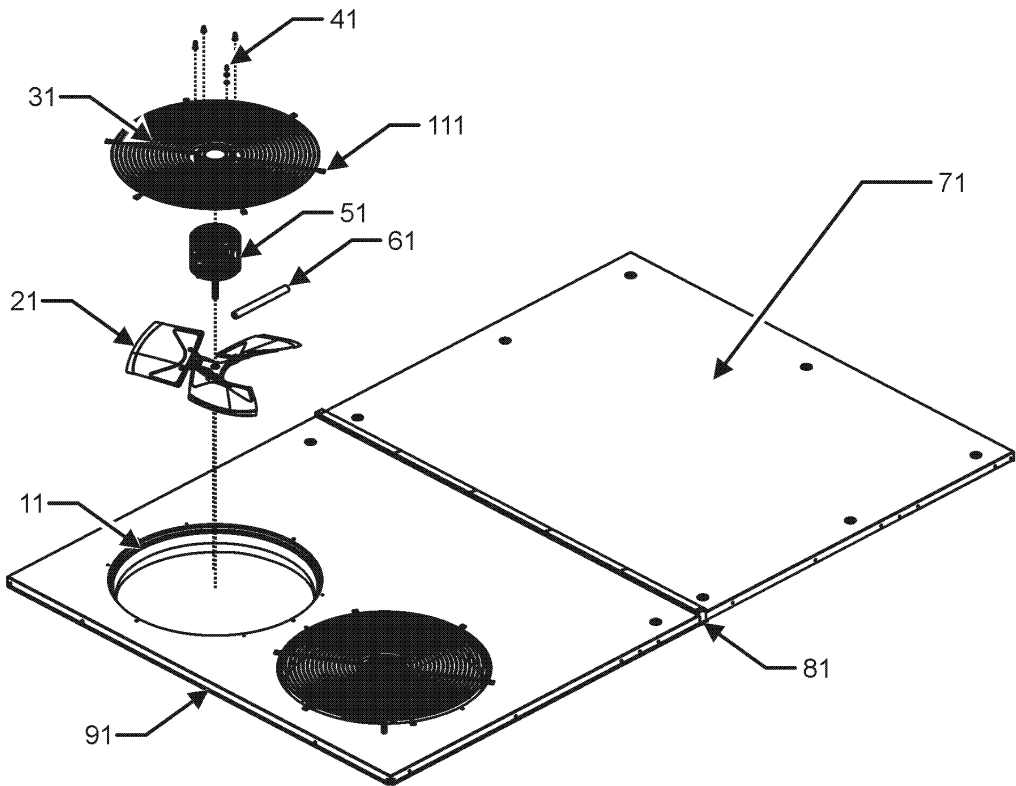
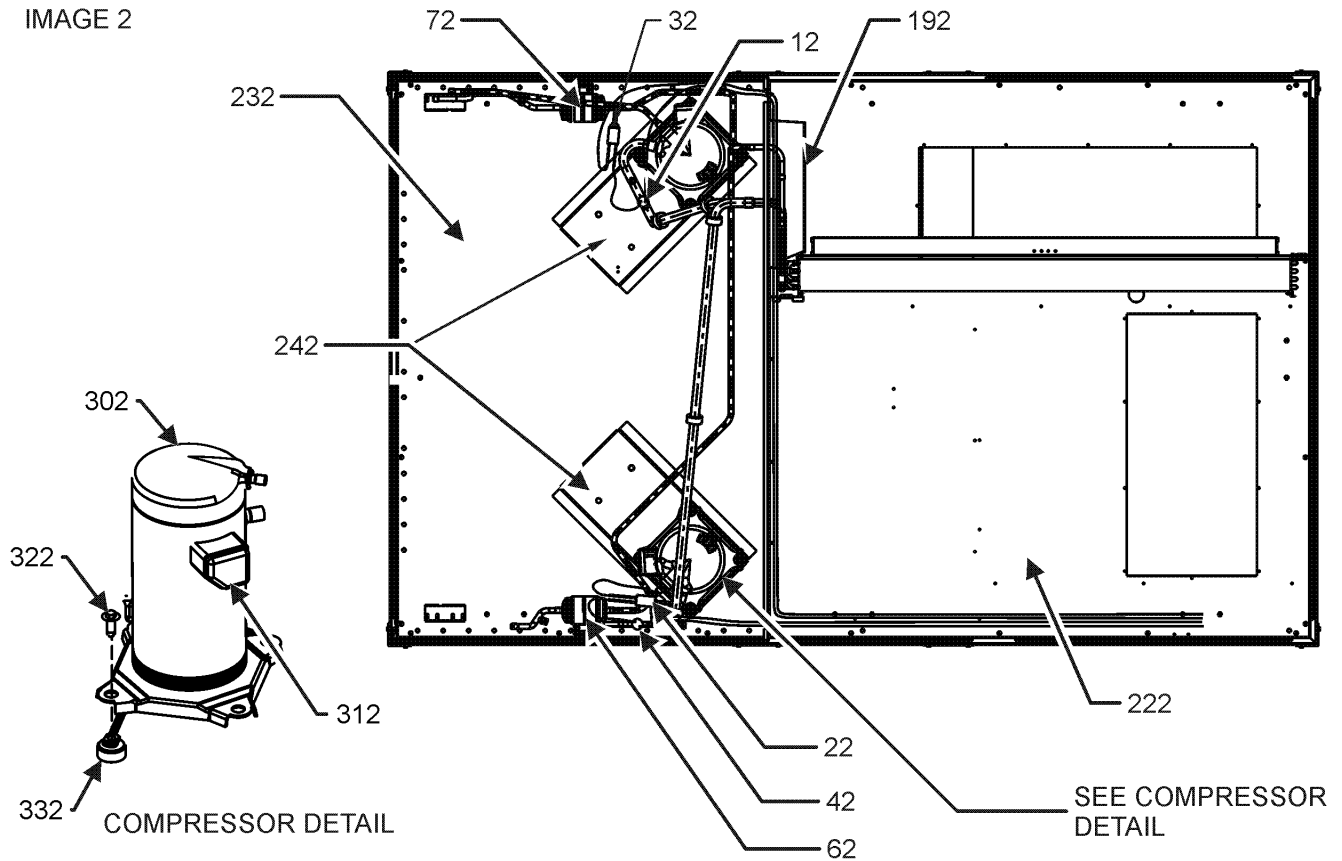


IMAGE 2

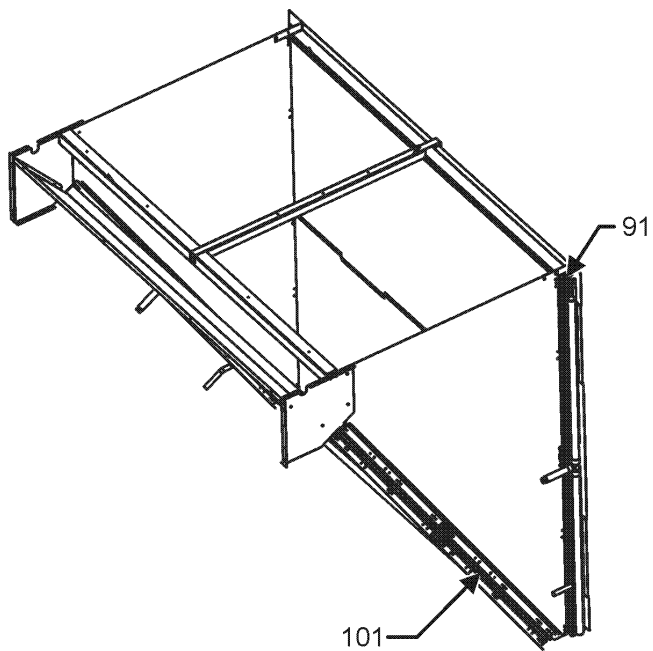
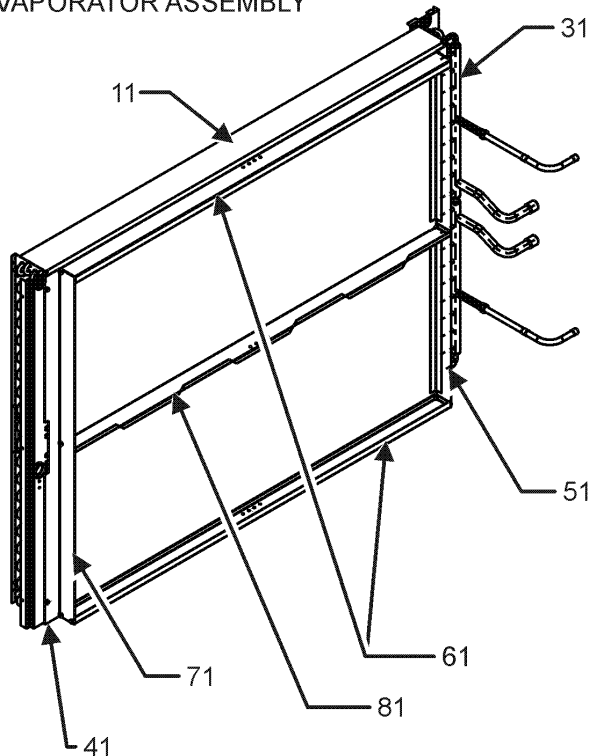


Top Panel and Tubing Assembly

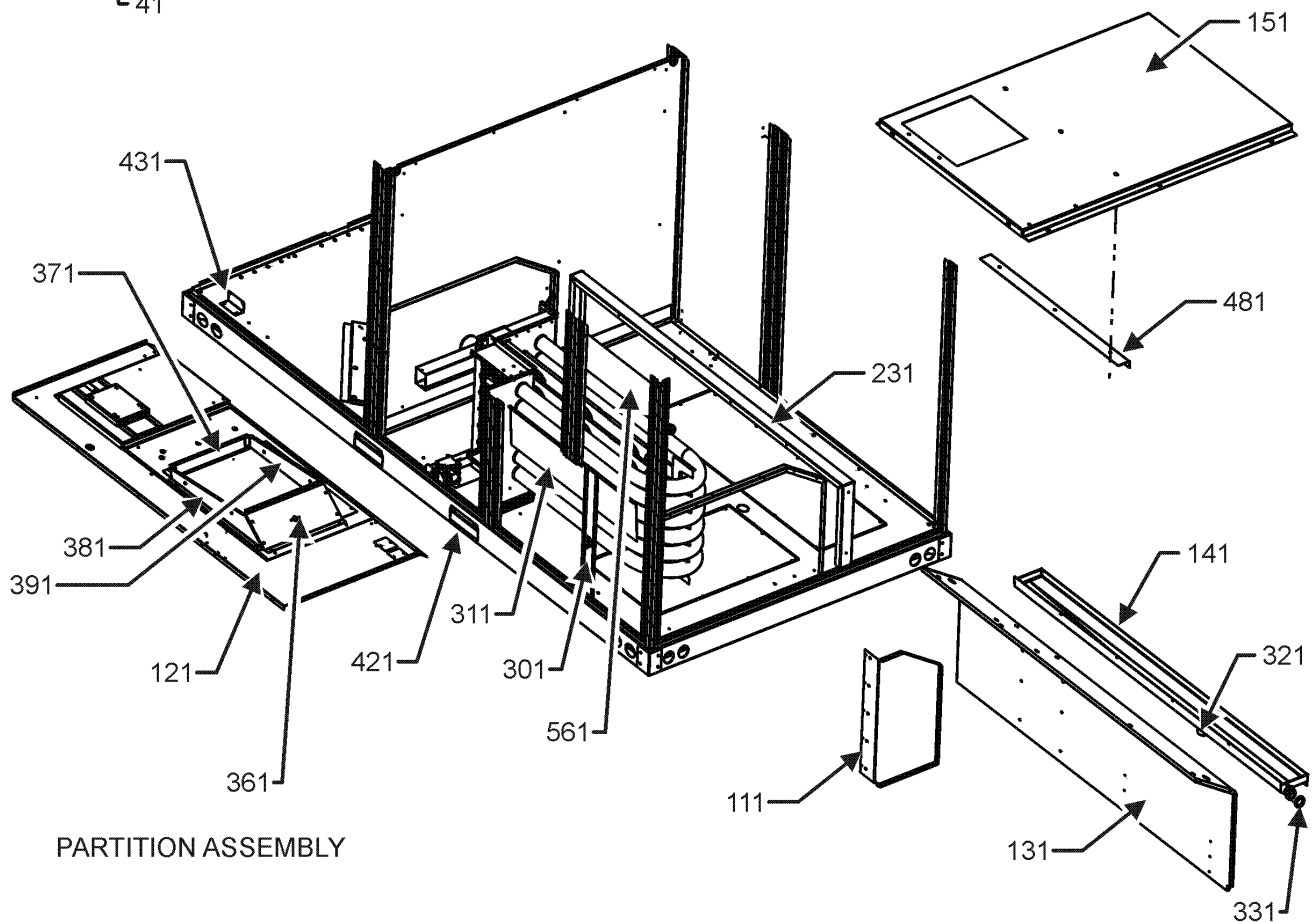
Ref. Part No: No:	Description:	Ref. Part No: No:	Description:
Image 1:		Expanded Model Nomenclature	
11	0161L00000 VENTURI RING 22" (QTY 2)	M1	- DCG1502103VAXWAA
21	10625733 FAN BLADE 22" ALUM CCW (QTY 2)	M2	- DCG1502103VHXBAA
31	0152G00003 FAN GRILLE (M13)	M3	- DCG1502103VRXXAA
31	0152G00000 FAN GRILLE, RAISED (M1, M2, M3, M4, M5, M6, M7, M8, M9, M10, M11, M12, M14)	M4	- DCG1502103VVDAAA
41	0163M00006P ACORN NUT 5/16 HEX BLACK (QTY 8)	M5	- DCG1502103VVXZAA
51	0131M00430 COND MOTOR 1/3 HP, 1 SP, 6 PL (M1, M2, M3, M4, M5, M6, M7, M8, M9)	M6	- DCG1502103VWXOAA
51	0131M00179 COND MOTOR 1/3 HP, 6 PL, 575V (M13)	M7	- DCG1502103VXSXAA
51	0131M00500 COND MOTOR 1/3 HP, OD, LAK (M14)	M8	- DCG1502103VXXNAA
51	0131M00774 MOTOR, 1/3 HP, OD (M10, M11, M12)	M9	- DCG1502103VXXXAA
61	0163M00386 CONDUIT-FLEXIBLE	M10	- DCG1502104VASUAA
71	0121L00497NG TOP INDOOR	M11	- DCG1502104VMXAAA
81	20455902 SPLICE GASKET .50 X .25 (QTY 5)	M12	- DCG1502104VXXXAA
91	0121L01105NG TOP OUTDOOR	M13	- DCG1502107VXXXAA
111	0163M00005P WASHER, BLACK (.50 OD .218ID) (QTY 8)	M14	- DCG1502107VXXXAB
NS	0259L00026 COND MOTOR HARNESS 460V (M11)		
NS	0259L00028 COND MOTOR HARNESS 460V (M11)		
NS	0259L00511 HARNESS COND MOTOR (M1, M2, M3, M4, M5, M6, M7, M8, M9, M10, M12, M13, M14)		
NS	0259L00512 HARNESS COND MOTOR (M1, M2, M3, M4, M5, M6, M7, M8, M9, M10, M12, M13, M14)		
NS	0163M00004 SCREW #10X3/4", BLACK (QTY 4)		
Image 2:			
12	0130M00075 LOW PRESSURE SWITCH		
22	0130M00075 CUT-OUT SWITCH, LOW PRESSURE		
32	0130M00074 HIGH PRESSURE SWITCH		
42	0130M00074 HIGH PRESSURE SWITCH		
62	0151M00012 BI-FLOW FILTER DRIER		
72	0151M00012 FILTER/DRIER BI-FLOW		
192	0121L01210 DRIP SHIELD-EVAP		
222	0121L00944 BASE PAN INDOOR		
232	0121L02129 BASE PAN OUTDOOR		
242	0121L02128 MOUNTING PLATE, COMP (QTY 2)		
302	ZP67KCETFD130 COMPRESSOR 67000, 460/60/3 (M10, M11, M12)		
302	ZP67KCETF5130 COMPRESSOR 67500, 200/230/60/3 (M1, M2, M3, M4, M5, M6, M7, M8, M9)		
302	ZP67KCETFE130 COMPRESSOR 67500, 575/60/3 (M13, M14)		
312	0159L00066 COMPRESSOR SCROLL HARNESS (M10, M11, M12, M13, M14)		
312	0159L00068 COMPRESSOR SCROLL HARNESS (M1, M2, M3, M4, M5, M6, M7, M8, M9)		
312	0159L00069 COMPRESSOR SCROLL HARNESS (M1, M2, M3, M4, M5, M6, M7, M8, M9)		
312	0159L00070 COMPRESSOR SCROLL HARNESS, 460V (M10, M11, M12, M13, M14)		
322	M0221641 TF SHOULDER SCREW (QTY 8)		
332	B1339533 COMPRESSOR GROMMET (QTY 8)		
NS	B1373315 ACCESS FITTING (QTY 4)		
NS	0141L00006X BOARD FORK (QTY 2)		
NS	0121L01279 BRACKET, CORNER (QTY 4)		
NS	0121L00055 BRACKET-FORK BOARD (QTY 4)		
NS	0121G00301 BRACKET-RAIL CORNERS (QTY 4)		
NS	0163M00175 CAP WITH O-RING (QTY 4)		

Evaporator, Condenser & Partition Assy

EVAPORATOR ASSEMBLY



CONDENSER ASSEMBLY



PARTITION ASSEMBLY

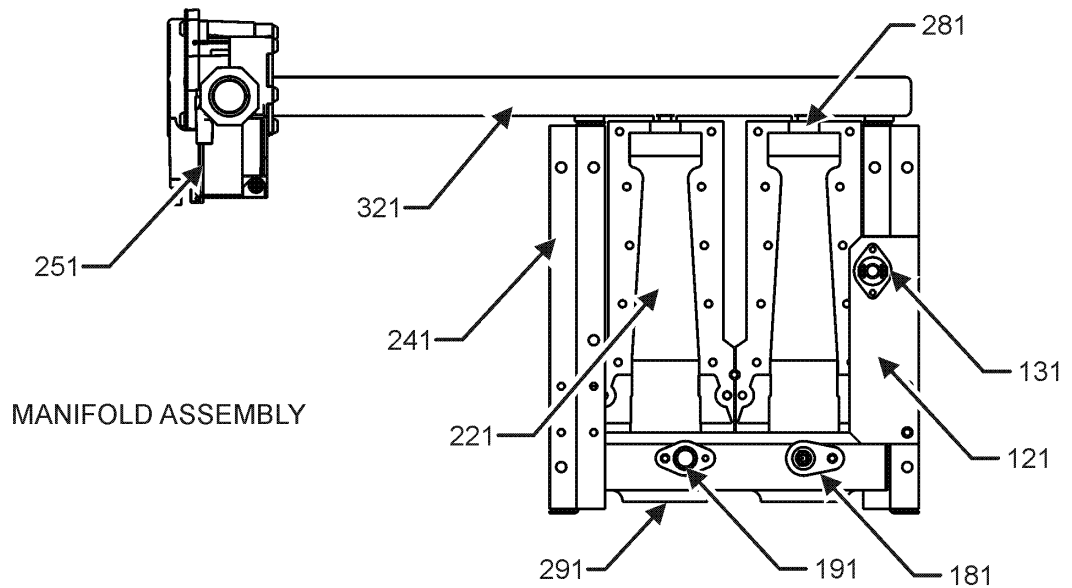
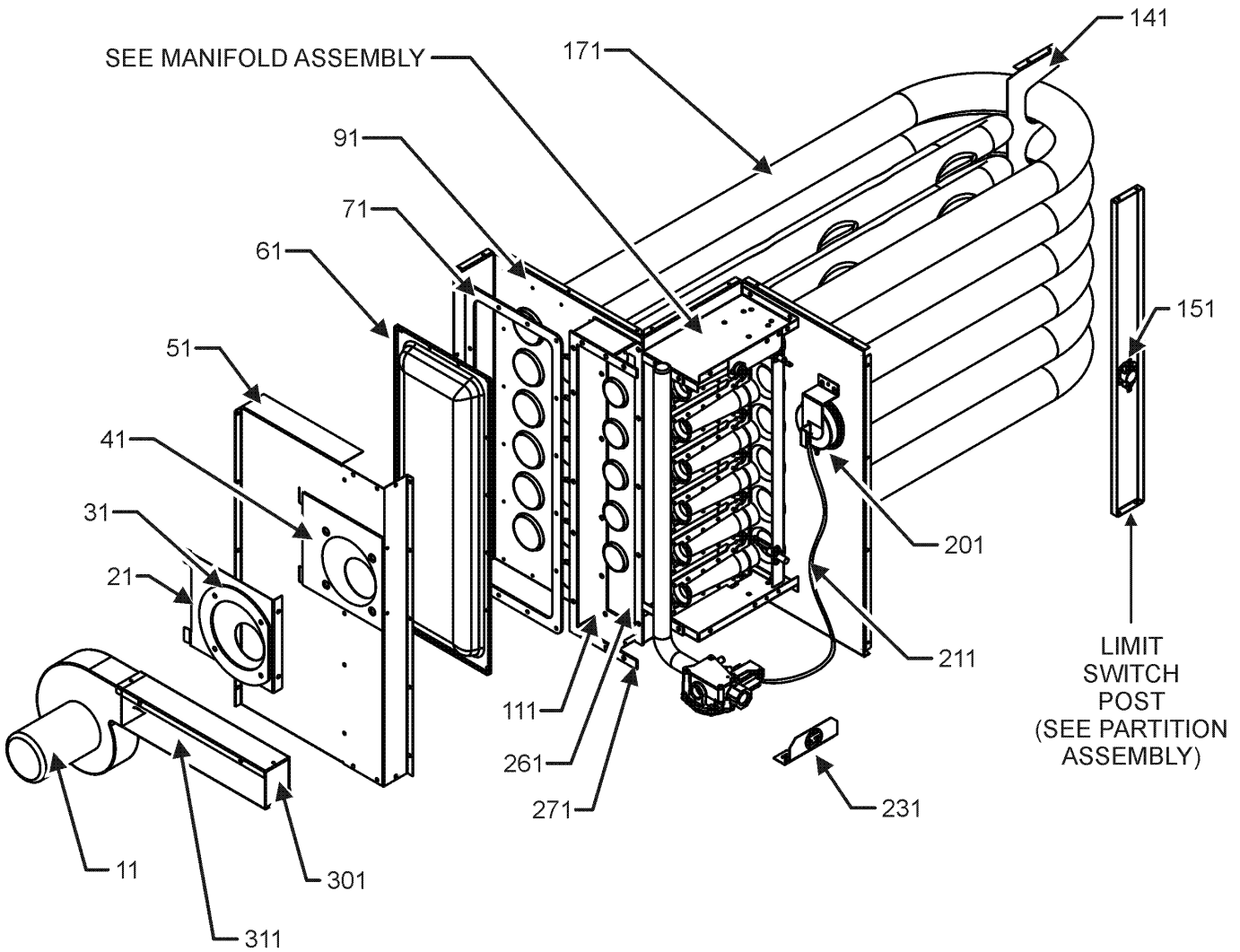
Evaporator, Condenser & Partition Assy

Ref. Part No:	Ref. Part No:	Description:	Description:
Image 1:			
11	0202L00079	TUBING ASSY, EVAP COIL	
31	0121L00517	BLOCKOFF-EVAPORATOR, RET END	
41	0121L00845	EVAP EXTENSION-HAIRPIN SIDE	
51	0121L00519	FILTER ANGLE-VERTICAL (RETURN SIDE)	
61	0121L00399	FILTER ANGLE-HORIZONTAL (QTY 2)	
71	0121L00520	FILTER ANGLE-VERTICAL (HAIRPIN SIDE)	
81	0121L01258	ANGLE-FILTER CENTER	
91	0201L00197	COND COIL ASSY, 5MM	
101	0201L00198	COND COIL ASSY, 5MM C2	
111	0121L00522	HEAT EXCHANGER BLOCK-OFF	
121	0121L02106	DECK-BLOWER	
131	0121L00374	DECK SIDE CHANNEL	
141	0161L00002	DRAIN PAN	
151	0121L00366	BASE-HEAT EXCHANGER	
231	0121L00372	DRAIN PAN SUPPORT	
301	0121L00093	POST-LIMIT SWITCH	
311	0121L00136	BAFFLE-BLOWER	
321	0163L00071	DRAIN PAN PLUG	
331	0154L00009	DRAIN PAN GASKET	
361	0121L00168	BLOWER TRANSITION, RH END	
371	0121L00169	BLOWER TRANSITION, LH END	
381	0121L00092	BLOWER TRANSITION, FRONT	
391	0121L00094	BLOWER TRANSITION, BACK	
421	0121L01099RF	RAIL-BASE SIDES RF (QTY 2)	
431	0121L00914	BRACE, CONDENSER (QTY 2)	
481	0121L00143	ANGLE-HT BASE BRACE	
561	0121L01079	BLOCKOFF, CONTROL BOX (M4)	
NS	0160L00137	Air Filter 20x25x2 (QTY 4)	
NS	0121L01398	DECK, SUPPORT BLOWER (M4)	
NS	0121L01402	DECK, SUPPORT CONTROL (M4)	
NS	0121L00321	SMOKE DETECTOR COVER (QTY 2)	

Expanded Model Nomenclature

- M1 - DCG1502103VAXWAA
- M2 - DCG1502103VHXBAA
- M3 - DCG1502103VRXXAA
- M4 - DCG1502103VVDAAA
- M5 - DCG1502103VVXZAA
- M6 - DCG1502103VWXOAA
- M7 - DCG1502103VXSXAA
- M8 - DCG1502103VXXNAA
- M9 - DCG1502103VXXXAA
- M10 - DCG1502104VASUAA
- M11 - DCG1502104VMXAAA
- M12 - DCG1502104VXXXAA
- M13 - DCG1502107VXXXAA
- M14 - DCG1502107VXXXAB

Heat Exchange Assembly



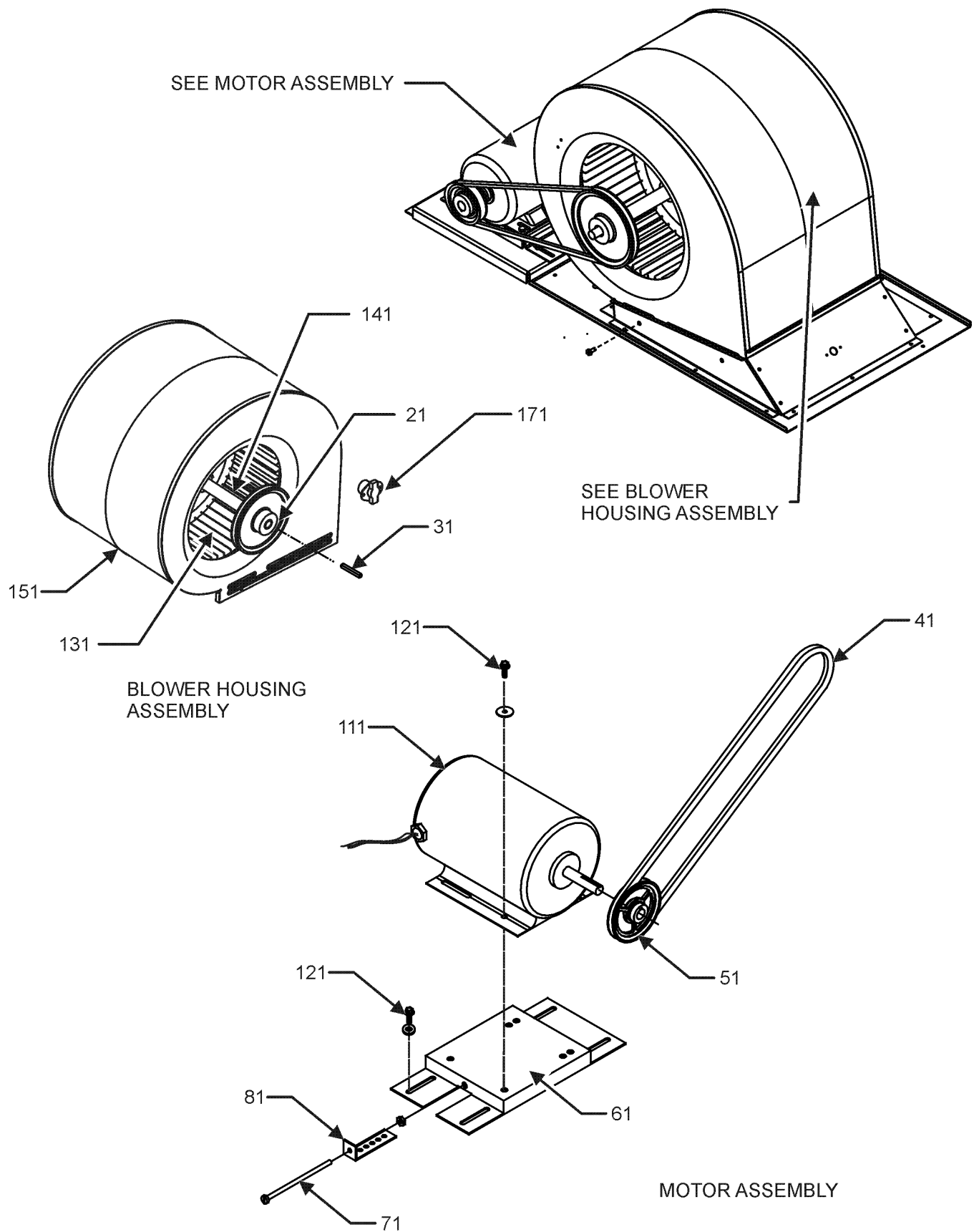
Heat Exchange Assembly

Ref. Part No: No:	Description:	Ref. Part No: No:	Description:
Image 1:			
11	0131L00002		VENT MOTOR
21	0121L00080		MOUNTING PLATE-ID BLOWER
31	0154L00007		GASKET, BLOWER/ORIFICE PLATE
41	0154L00006		GASKET, COLLECTOR/ORIFICE PLATE
51	0121L00077		COLLECTOR BOX COVER
61	0121L00072		REAR COVER, HEAT EXCHANGER
71	0154L00010		REAR COVER GASKET, HEAT EXCHANGER
91	0121L01434		PANEL-HT TUBES, 6 BURNER
111	0121L00076		COLLECTOR BOX CHANNEL
121	0121L00323		FLAME ROLLOUT BRACKET
131	10123532		MANUAL RESET LIMIT 350°F
141	0121L01436		SUPPORT BRACKET
151	B1370187		PRIMARY LIMIT SWITCH 160°F
171	0270L00752		HEAT EXCHANGER ASSY 6B (M1, M2, M3, M4, M5, M6, M8, M9, M11, M12, M13, M14)
181	0130F00010		FLAME SENSOR
191	20261709		IGNITOR
201	11112501		PRESSURE SWITCH
211	A3468601		PRESSURE SWITCH HOSE
221	0163L00000		BECKETT BURNER (QTY 6)
231	0121L00147		PIPE BRACKET-GAS VALVE
241	0121G00268		BRACKET-BURNER TOP/BOT (QTY 2)
251	0151L00000		GAS VALVE (36H)
261	0154L00011		INNER GASKET, COLLECTOR BOX
271	0154L00012		OUTER GASKET, COLLECTOR BOX
281	0163L00007		ORIFICE #34 DRILL (QTY 6)
291	0121L00075		BURNER BRACKET 6B
301	0163L00006		FLUE SCREEN
311	0121L00049		HEAT EXCHANGER FLUE (QTY 2)
321	0163L00010		MANIFOLD - 6 BRNR
NS	0121L00130NG		FLUE COLLAR
NS	B1392609		SEAL STRIP, RED, 1/8 X 1/2 X 100 (QTY 3)

Expanded Model Nomenclature

M1 - DCG1502103VAXWAA
M2 - DCG1502103VHXBAA
M3 - DCG1502103VRXXAA
M4 - DCG1502103VVDAAA
M5 - DCG1502103VVXZAA
M6 - DCG1502103VWXOAA
M7 - DCG1502103VXSXAA
M8 - DCG1502103VXXNAA
M9 - DCG1502103VXXXAA
M10 - DCG1502104VASUAA
M11 - DCG1502104VMXAAA
M12 - DCG1502104VXXXAA
M13 - DCG1502107VXXXAA
M14 - DCG1502107VXXXAB

Belt Drive Blower and Motor Assembly



Belt Drive Blower and Motor Assembly

Ref. Part No: No:	Description:	Ref. Part No: No:	Description:
-------------------	--------------	-------------------	--------------

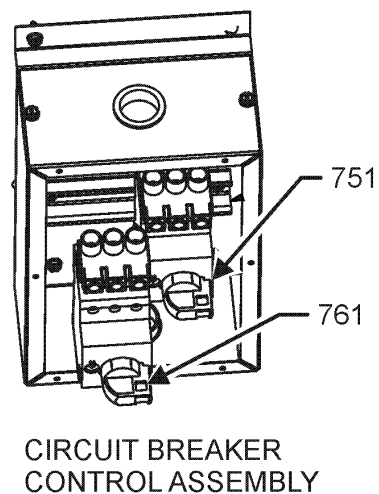
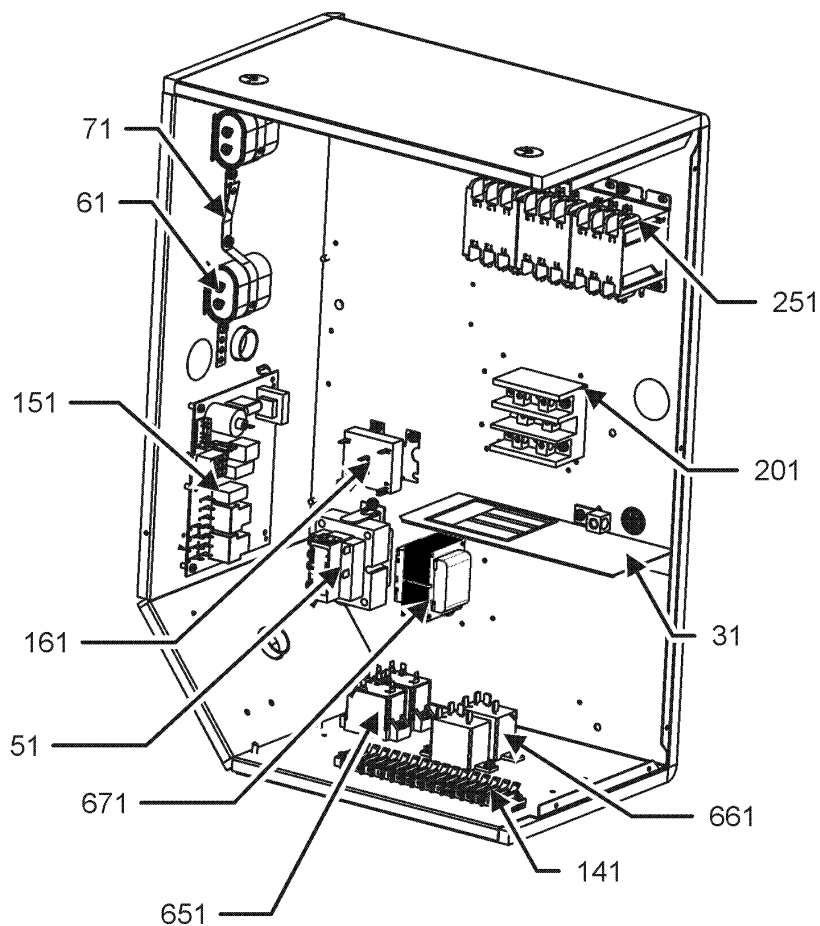
Image 1:

21	0163L00142	SHEAVE, FIXED AK71H
31	B1398604	STEEL KEY (000158812) 2.0"
41	0164L00019	FAN BELT, NOTCHED
51	0163L00066	VP SHEAVE
61	0121L01504	MOTOR BASE
71	0163M00045	BOLT 1/4-20 X 4"
81	3225000F	BELT TIGHTENER ANGLE
111	0131L00024	MOTOR, 3 HP BELT DRIVE 230V (M1, M2, M3, M4, M5, M6, M7, M8, M9)
111	0131L00030	MOTOR, 3 HP BELT DRIVE 460 V (M10, M11, M12)
111	0131L00027	MOTOR, 3 HP BELT DRIVE 575 V (M13, M14)
121	B1393738	BOLT 1/4-20 X 3/4" (QTY 8)
131	03-78497	BLOWER WHEEL
141	04-11526	BLOWER SHAFT
151	04-01526	BLOWER HOUSING
171	0130F00036	PRIMARY LIMIT - PINK
NS	04-02196	BLOWER BEARING & FRAME ASSY
NS	0259L00160	HARNESS-BELT DRIVE 2 SP MOTOR

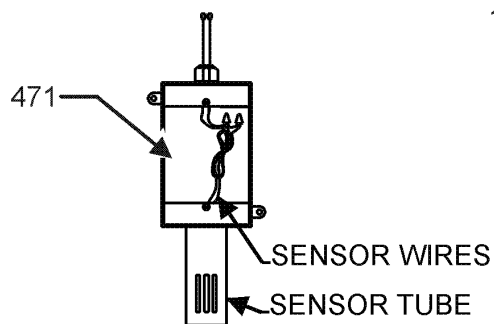
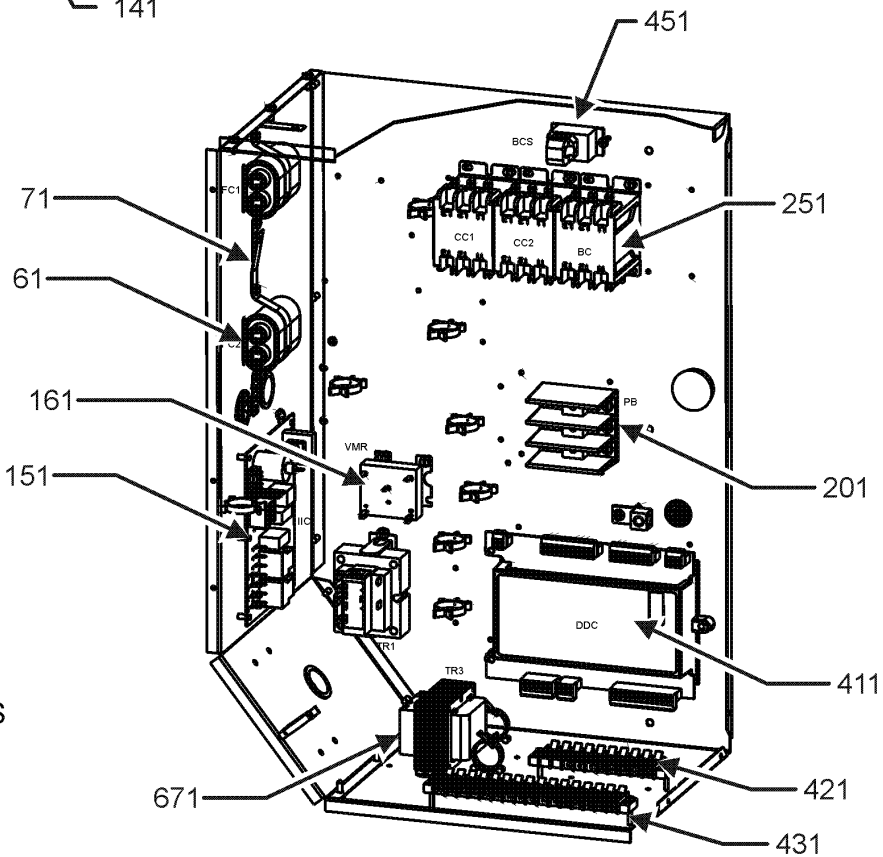
Expanded Model Nomenclature

M1 - DCG1502103VAXWAA
M2 - DCG1502103VHXBAA
M3 - DCG1502103VRXXAA
M4 - DCG1502103VVDAAA
M5 - DCG1502103VVXZAA
M6 - DCG1502103VWXOAA
M7 - DCG1502103VXSXAA
M8 - DCG1502103VXXNAA
M9 - DCG1502103VXXXAA
M10 - DCG1502104VASUAA
M11 - DCG1502104VMXAAA
M12 - DCG1502104VXXXAA
M13 - DCG1502107VXXXAA
M14 - DCG1502107VXXXAB

Control Box Assembly



CONTROL BOX FOR MODELS WITH DDC CONTROL



Control Box Assembly

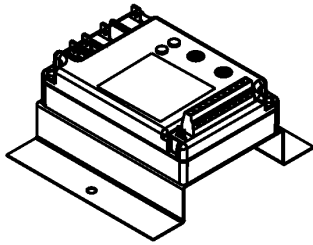
Ref. Part No: No:	Description:	Ref. Part No: No:	Description:
Image 1:		Image 1:	
31	0121G00491 VOLTAGE BARRIER	NS	0259L00090 WIRE HARNESS-SMOKE DETECTOR (M1, M5, M6, M8, M10)
51	0130M00144 TRANSFORMER (M1, M2, M3, M4, M5, M6, M7, M8, M9)	Expanded Model Nomenclature	
51	0130M00145 TRANSFORMER 480V to 24V, 75VA (M10, M11, M12)	M1	- DCG1502103VAXWAA
51	0130M00148 TRANSFORMER 575V to 24V, 75VA (M13, M14)	M2	- DCG1502103VHXBAA
61	CAP100000370LA CAPACITOR 10/370V (M1, M2, M3, M4, M5, M6, M7, M8, M9, M10, M11, M12)	M3	- DCG1502103VRXXAA
61	CAP050000370LA CAPACITOR 5/370V (M13)	M4	- DCG1502103VVDAAA
61	CAP050000440LA CAPACITOR 5/440V (M14)	M5	- DCG1502103VVXZAA
71	20520901 CAPACITOR STRAP (M3, M11)	M6	- DCG1502103VWXOAA
141	0130M00038 TERMINAL BOARD	M7	- DCG1502103VXSXAA
151	PCBAG123 IGNITION BOARD, DSI INTEGRATED	M8	- DCG1502103VXXNAA
161	0130M00025 24V RELAY	M9	- DCG1502103VXXXAA
201	16330-3 POWER BLOCK	M10	- DCG1502104VASUAA
201	16330-3 POWER BLOCK (M3, M11)	M11	- DCG1502104VMXAAA
251	CONT3P030024V CONTACTOR 30 AMP, 3P, 24V (M3, M11)	M12	- DCG1502104VXXXAA
411	PCBCG100 DDC Controller (M3, M11)	M13	- DCG1502107VXXXAA
421	0130M00274 TERMINAL BOARD (M3, M11)	M14	- DCG1502107VXXXAB
431	0130M00275 TERMINAL BOARD (M3, M11)		
451	0259L00368 CURRENT SWITCH WITH TERMS (M3, M11)		
471	0130L00108 OD Air Temp Sensor (M3, M11)		
651	10135604 RELAY (QTY 2)		
661	0130M00242 RELAY, 24V (QTY 2)		
671	0130M00146 TRANSFORMER 480V TO 230V, 150VA (M11)		
671	0130M00147 TRANSFORMER 575V TO 230V, 150VA (M13, M14)		
751	0130L00070 ROTARY MANUAL MOTOR PROTECTOR (M10, M11, M12)		
751	0130L00082 ROTARY MANUAL MOTOR PROTECTOR (M13, M14)		
751	0130L00084 ROTARY MANUAL MOTOR PROTECTOR (M1, M2, M3, M4, M5, M6, M7, M8, M9)		
761	0130L00082 ROTARY MANUAL MOTOR PROTECTOR (M13, M14)		
761	0130L00083 ROTARY MANUAL MOTOR PROTECTOR (M1, M2, M3, M4, M5, M6, M7, M8, M9, M10, M11, M12)		
NS	0259L00153 2 SPEED CONTROL HARNESS		
NS	0259L00155 2 SPEED RELAY HARNESS		
NS	0259L00161 CIRCUIT BREAKER HARNESS		
NS	0130L00112 Duct Temp Sensor (M3, M11)		
NS	0259L00401 HARN, BINARY INPUT, DDC (M3, M11)		
NS	0259L00382 HARN, CNTL PWR, DDC (M3, M11)		
NS	0259L00420 HARN, IIC, DDC 2 SP (M3, M11)		
NS	0259L00399 HARN, PWR XFMR CNTL (M3, M11)		
NS	0259L00419 HARN, RELAY OUTPUT, DDC 2 SP (M3, M11)		
NS	0259L00496 HARNESS, NON POW, CONV, OUT (M4, M10, M11)		
NS	0259L00092 HARNESS-SMOKE DETECTOR SENSOR (M1, M5, M6, M8, M10)		
NS	0130L00107 ROOM SENSOR (M3, M11)		
NS	0259L00502 WIRE HARNESS		
NS	0259L00503 WIRE HARNESS (M3, M11)		
NS	0259L00148 WIRE HARNESS ASSY		
NS	0259L00149 WIRE HARNESS ASSY		
NS	0259L00152 WIRE HARNESS ASSY		
NS	0259L00166 WIRE HARNESS, ECONOMIZER (M7, M13)		
NS	0259L00192 WIRE HARNESS, ECONOMIZER (M1, M2, M3, M4, M5, M6, M8, M9, M10, M11, M12, M14)		

Accessory Part List

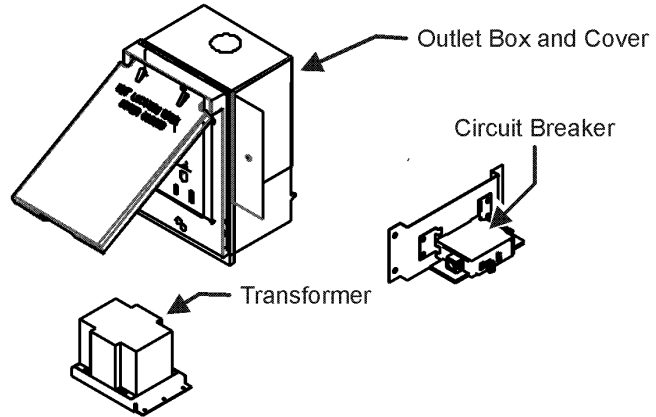
ACCESSORY PARTS LIST

NOTE: NOT ALL OPTIONS AVAILABLE FOR ALL PRODUCTS

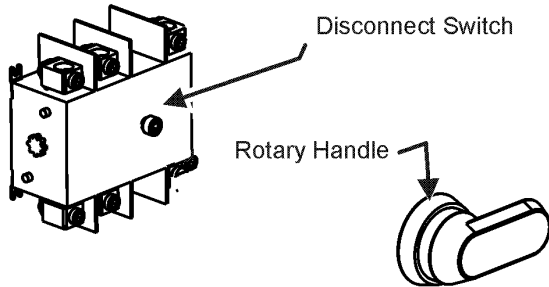
1 LOW AMBIENT KITS



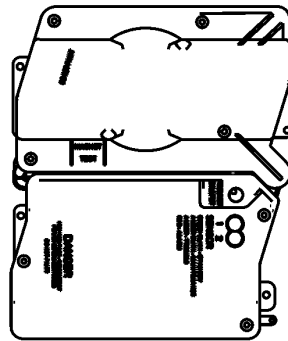
2 GFCI CONVENIENCE OUTLET



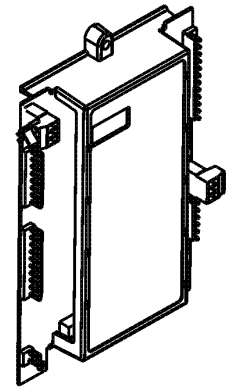
3 DISCONNECT MODULE (NON-FUSED)



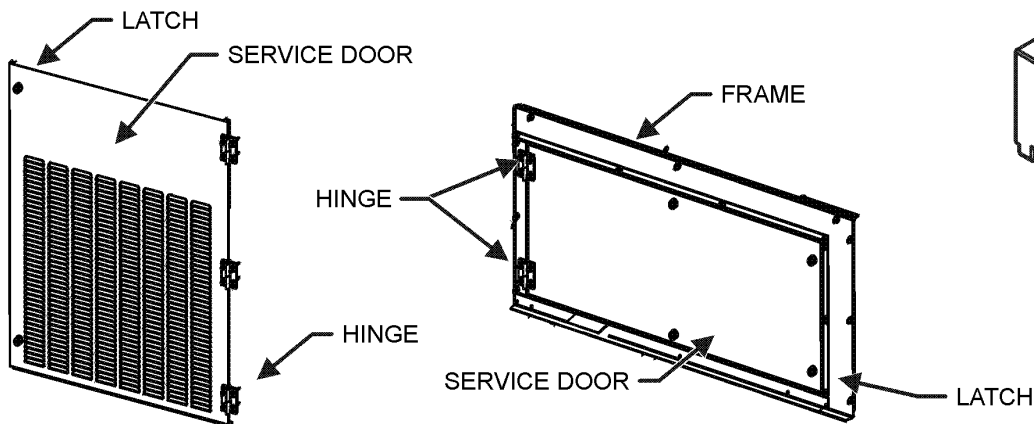
4 SMOKE DETECTORS



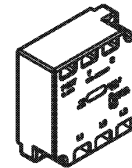
5 DDC CONTROL



6 HINGED DOOR ASSEMBLIES



7 PHASE MONITOR



Accessory Part List

Ref. Part No:	No:	Description:	Ref. Part No:	No:	Description:
Image 1:					
NS	DDNECNJ90150B	7.5-12.5 TON DFLOW ECON (M4, M5, M6)			
NS	1036610B	7.5-12.5 TON DFLOW ECONOMIZER (M1, M10)			
NS	10366D10B	7.5-12.5T DFLOW ECON, DDC (M3)			
NS	0121L00316	BRACKET-CONV OUTLET MOUNT (M2, M4, M6, M8, M10, M11)			
NS	0121L00768	BRACKET-SMOKE DETECTOR (M5, M6, M8, M10)			
NS	0130M00065	CIRCUIT BREAKER, CONVENIENCE OUTLET (M2, M6, M8)			
NS	0121L00973NG	DISCONNECT SWITCH COVER (M2, M3, M6, M11)			
NS	0121L01414NG	DOOR FRAME, BLOWER (M4)			
NS	0121L01417NG	DOOR FRAME, CONTROL (M4)			
NS	0130L00012	GANG BOX-GFCI OUTLET (M2, M4, M6, M8, M10, M11)			
NS	0130L00039	HANDLE, ROTARY (M2, M3, M6, M11)			
NS	0163M00307	HINGE, LEFT HAND (M4)			
NS	0163M00308	HINGE, RIGHT HAND (M4)			
NS	0163M00322	LATCH (M4)			
NS	LAKT03	LOW AMBIENT KIT (M1, M10)			
NS	0121L02221NG	PNT, DOOR FRAME, FILTER (M4)			
NS	0121L02222NG	PNT, SERVICE DOOR BACK FILTER (M4)			
NS	0121L02219NG	PNT, SERVICE DOOR FRONT FILTER (M4)			
NS	0161G00012	POWER OUTLET BOX (M2, M4, M6, M8, M10, M11)			
NS	0130L00103	RECEPTACLE-GFCI OUTLET (M2, M4, M6, M8, M10, M11)			
NS	0121L01413NG	SERVICE DOOR BACK, BLOWER (M4)			
NS	0121L01416NG	SERVICE DOOR BACK, CONTROL (M4)			
NS	0121L01412NG	SERVICE DOOR FRONT, BLOWER (M4)			
NS	0121L01415NG	SERVICE DOOR FRONT, CONTROL (M4)			
NS	0130L00056	SHAFT, CUT (M2, M3, M6)			
NS	0130L00057	SHAFT, CUT (M11)			
NS	0130L00049	SHAFT, DISCONNECT (M2, M3, M6, M11)			
NS	D4120	SMOKE DETECTOR, PHOTO 4WIRE (M1, M5, M6, M8, M10)			
NS	D4S	SMOKE DETECTOR, SENSOR ONLY (M5, M6)			
NS	0130L00027	SWITCH-DISCONNECT 100A (M2, M3, M6)			
NS	0130L00046	SWITCH-DISCONNECT 60A (M11)			
NS	0130M00061	TRANSFORMER, CONVENIENCE OUTLET (M2, M6, M8)			

Expanded Model Nomenclature

- M1 - DCG1502103VAXWAA
- M2 - DCG1502103VHXBAA
- M3 - DCG1502103VRXXAA
- M4 - DCG1502103VVDAAA
- M5 - DCG1502103VVXZAA
- M6 - DCG1502103VWXOAA
- M7 - DCG1502103VXSXAA
- M8 - DCG1502103VXXNAA
- M9 - DCG1502103VXXXAA
- M10 - DCG1502104VASUAA
- M11 - DCG1502104VMXAAA
- M12 - DCG1502104VXXXAA
- M13 - DCG1502107VXXXAA
- M14 - DCG1502107VXXXAB