

Commercial 10 Ton High Static 2-Speed Package Gas Unit

DCG1202103WVBXAB
DCG1202103WVDCAB
DCG1202103WVXGAB
DCG1202103WVXTAB
DCG1202103WWXCAB
DCG1202103WXSXAB
DCG1202103WXXXAB
DCG1202104WJXFAC
DCG1202104WWXNAC
DCG1202104WXXBAC



This manual is to be used by qualified technicians only.

This manual replaces RP-D1272.

Important Information

Index

Functional Parts List	3
Illustration and Parts	4 - 17

Views shown are for parts illustrations only, not servicing procedures

Text Codes:

AR - As Required

NA - Not Available

NS - Not Shown

00000000 - See Note

QTY - Quantity Example (QTY 3) (If Quantity not shown, Quantity = 1)

M - Model Example (M1) (If M Code not shown, then part is used on all Models)

Expanded Model Nomenclature:

Example M1 - Model#1 M2 - Model#2 M3 - Model#3

Daikin Company, L.P. is not responsible for personal injury or property damage resulting from improper service. Review all service information before beginning repairs.

Warranty service must be performed by an authorized technician, using authorized factory parts. If service is required after the warranty expires, Daikin Company, L.P. also recommends contacting an authorized technician and using authorized factory parts.

Daikin Company, L.P. reserves the right to discontinue, or change at any time, specifications or designs without notice or without incurring obligations.

For assistance within the U.S.A. contact:

Equipment Support
Daikin North America, LLC
19001 Kermier Road
Waller, Texas 77484
855-770-5678-Telephone
713-863-2382-Facsimile

For assistance outside the U.S.A. contact:

International Division
Daikin North America, LLC
19001 Kermier Road
Waller, Texas 77484
713-861-2500-Telephone
713-863-2382-Facsimile

Functional Parts

Part

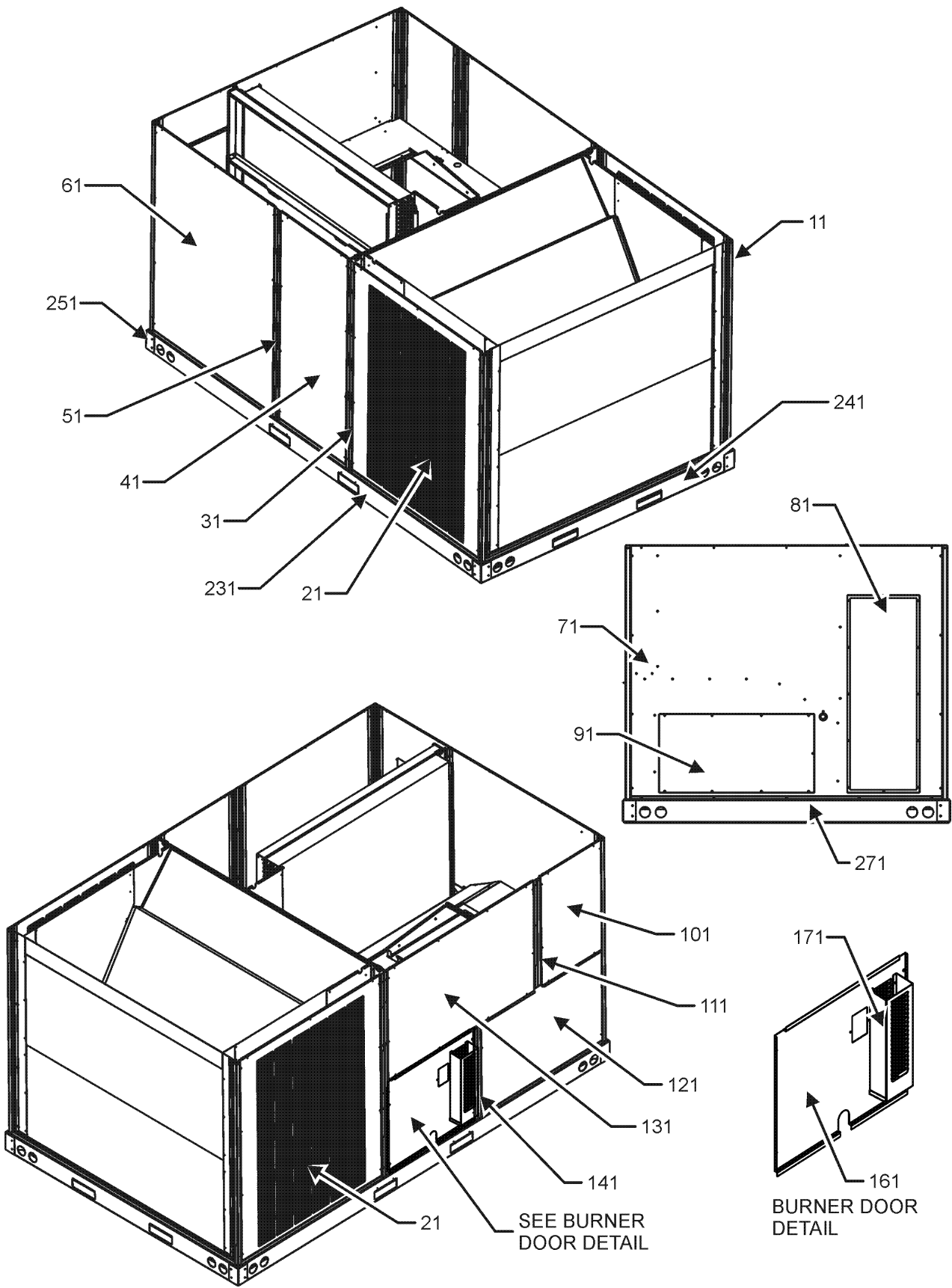
No: Description:

16220-3	BLOCK, POWER
CAP100000370LA	CAPACITOR 10/370V (QTY 2)
ZP51K5ETF5130	COMP,51000,208/230/60/3 (M1, M2, M3, M4, M5, M6, M7)
ZP51K5ETFD130	COMP,51000,460/60/3 (M8, M9, M10)
CONT3P025024V	CONTACTOR 25 AMP, 3P, 24V (QTY 4)
0130M00031	CUT-OUT SWITCH, HIGH PRESSURE
0130M00030	CUT-OUT SWITCH, HIGH PRESSURE
0130L00003	CUT-OUT SWITCH, LOW PRESSURE
0130L00002	CUT-OUT SWITCH, LOW PRESSURE
0164L00002	FAN BELT, NOTCHED
10625733	FAN BLADE 22" ALUM CCW (QTY 2)
0130F00010	FLAME SENSOR
0151L00000	GAS VALVE, MANIFOLD (36H)
PCBAG123	IGNITION BOARD, DSI INTEGRATED
20261709	IGNITOR
10123532	MANUAL RESET LIMIT 350°F
0131M00430	MOTOR, 1/3 HP, 1 SP, 6 PL (M1, M3, M6, M7)
0131L00073	Motor, 3ph, 5hp (M1, M2, M3, M4, M5, M6, M7)
0131L00074	Motor, 3ph, 5hp (M8, M9, M10)
0131L00064	Motor, Cond, 1/3 HP, 208/230V (M2, M4, M5)
0131L00065	Motor, Cond, 1/3 HP, 460V (M8)
0131M00774	MOTOR, Cond, 1/3 HP, OD (M9, M10)
0130L00105	PHASE MONITOR (M1)
11112501	PRESSURE SWITCH
B1370199	PRIMARY LIMIT SWITCH 190°F
20162904	PRIMARY LIMIT-TEMPERATURE CONTROL
0130M00242	RELAY, 24V (QTY 2)
0130M00025	RELAY, SPDT
0130M00038	TERMINAL BOARD
0130M00596	TRANS, 150VA, 480V TO 230V (M8, M9, M10)
0130M00594	TRANSFORMER (M1, M2, M3, M4, M5, M6, M7)
0130M00595	TRANSFORMER, 75VA, 480V TO 24V (M8, M9, M10)
0131L00002	VENT MOTOR

Expanded Model Nomenclature

M1 - DCG1202103WVBXAB
M2 - DCG1202103WVDCAB
M3 - DCG1202103WVXGAB
M4 - DCG1202103WVXTAB
M5 - DCG1202103WWXCAB
M6 - DCG1202103WXSXAB
M7 - DCG1202103WXXXAB
M8 - DCG1202104WJXFAC
M9 - DCG1202104WWXNAC
M10 - DCG1202104WXXBAC

Cabinet Assembly



Cabinet Assembly

Ref. Part No:	Part No:	Description:	Ref. Part No:	Part No:	Description:
---------------	----------	--------------	---------------	----------	--------------

Image 1:

11	0121L00065RFNG	CORNER POST (QTY 4)			
11	0121L01407RFNG	CORNER POST (M2)			
21	0121L00511NG	LOUVERED SIDE PANEL (QTY 2)			
31	0121L00738RFNG	ROLL FORM SIDE POST (M1, M3, M4, M5, M6, M7, M8, M9, M10)			
31	0121L01400RFNG	SIDE POST (M2)			
41	0121L00737NG	FILTER DOOR			
51	0121L00739RFNG	FILTER DOOR POST (M1, M3, M4, M5, M6, M7, M8, M9, M10)			
51	0121L01432RFNG	FILTER DOOR POST (M2)			
61	0121L00510NG	ECONOMIZER DOOR (M6, M7, M10)			
71	0121L01364NG	DUCT PANEL (M1, M2, M4, M6, M7, M10)			
71	0121L01365NG	DUCT PANEL (M5, M8, M9)			
71	0121L01366NG	DUCT PANEL (M3)			
81	0121L00082NG	RETURN DUCT COVER			
91	0121L00099NG	SUPPLY DUCT COVER			
101	0121L00974NG	CONTROL DOOR			
111	0121L02303RFNG	PAINTED CONTROL POST (M1, M3, M4, M5, M6, M7, M8, M9, M10)			
111	0121L02517RFNG	RF, PAINTED CNTL POST HINGED (M2)			
121	0121L00767NG	ELECTRIC HEAT DOOR			
131	0121L00763NG	BLOWER DOOR			
141	0121L00765RFNG	BURNER BOX POST			
161	0121L00766NG	BURNER DOOR			
171	0121L00129	DOOR RAIN SHIELD			
231	0121L01099RF	RAIL, BASE SIDES (QTY 2)			
241	0121L00834RF	RAIL, BASE ENDS			
251	0121G00301	BRACKET-RAIL CORNERS (QTY 4)			
271	0121L00071RF	RAIL-BASE DUCT END			
NS	0121L00727	ECONOMIZER COVER (M1, M2, M3, M4, M5, M9)			
NS	0121L01310	ECONOMIZER COVER (M8)			
NS	0164L00009	GASKET-RUBBER, CPOST (QTY 3)			
NS	0164L00011	GASKET-RUBBER, SIDE POST (QTY 5)			

Expanded Model Nomenclature

M1 - DCG1202103WVBXAB
M2 - DCG1202103WVDCAB
M3 - DCG1202103WVXGAB
M4 - DCG1202103WVXTAB
M5 - DCG1202103WWXCAB
M6 - DCG1202103WXSXAB
M7 - DCG1202103WXXXAB
M8 - DCG1202104WJXFAC
M9 - DCG1202104WWXNAC
M10 - DCG1202104WXXBAC

Top Panel and Tubing Assembly

IMAGE 1

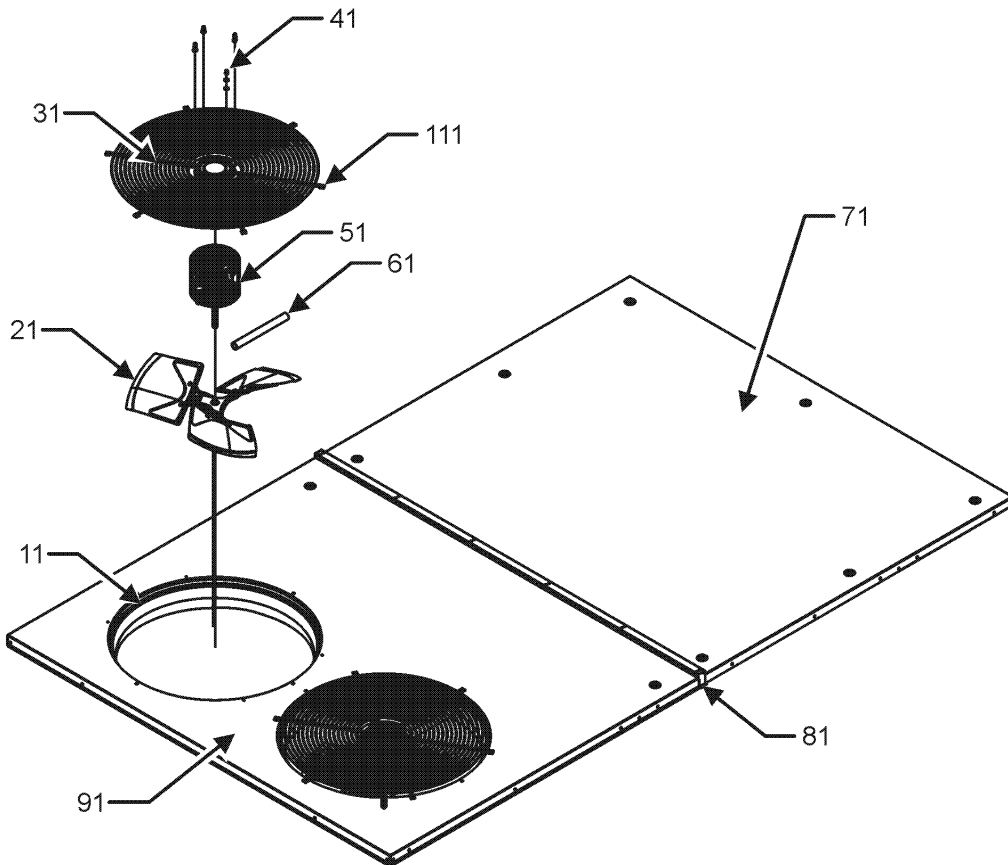
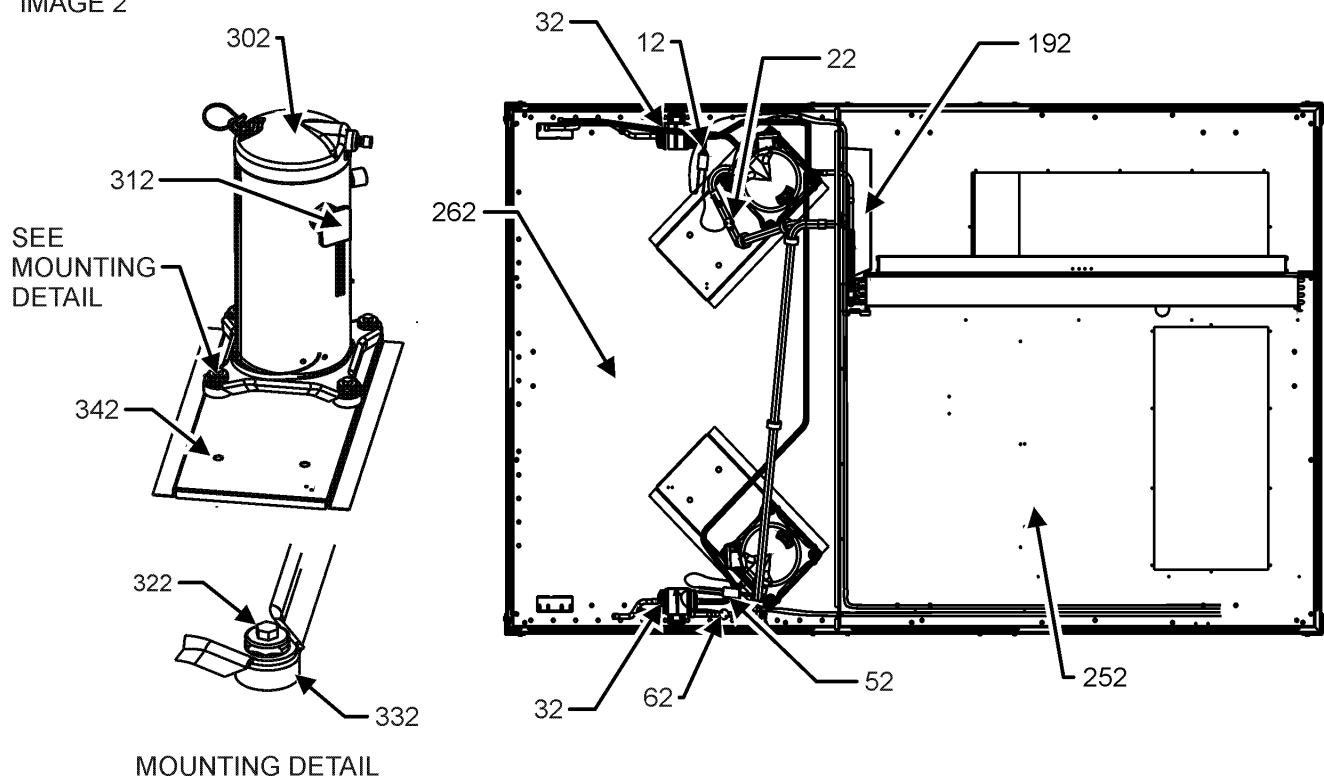


IMAGE 2



Top Panel and Tubing Assembly

Ref. Part No: No:	Description:	Ref. Part No: No:	Description:
-------------------	--------------	-------------------	--------------

Image 1:

11	0161L00000	VENTURI RING 22" (QTY 2)
21	10625733	FAN BLADE 22" ALUM CCW (QTY 2)
31	0152G00000	FAN GRILLE, RAISED (QTY 2)
41	0163M00006P	ACORN NUT 5/16 HEX BLACK (QTY 8)
51	0131M00430	MOTOR, 1/3 HP, 1 SP, 6 PL (M1, M3, M6, M7)
51	0131L00064	Motor, Cond, 1/3 HP, 208/230V (M2, M4, M5)
51	0131L00065	Motor, Cond, 1/3 HP, 460V (M8)
51	0131M00774	MOTOR, Cond, 1/3 HP, OD (M9, M10)
61	0161R00003P	CONDUIT (QTY 2)
71	0121L01119NG	PAINTED TOP PANEL INDOOR
81	20455902	SPLICE GASKET .50 X .25 (QTY 8)
91	0121L01118NG	PAINTED TOP PANEL OUTDOOR
111	0163M00004	SCREW #10X3/4", BLACK (QTY 22)
NS	0259L00511	HARNESS COND MOTOR
NS	0259L00512	HARNESS COND MOTOR
NS	0163M00005P	WASHER, BLACK (.50 OD .218ID) (QTY 8)

Image 2:

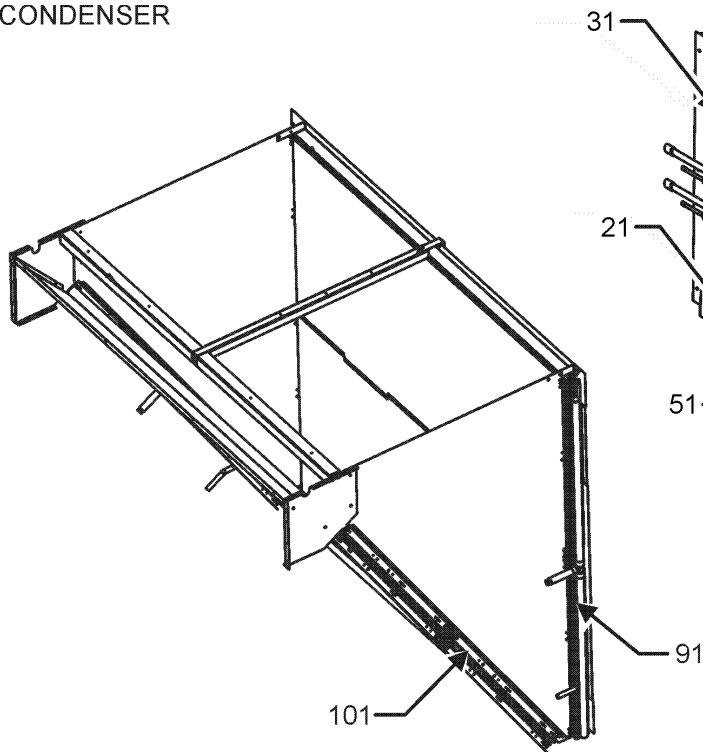
12	0130M00031	CUT-OUT SWITCH, HIGH PRESSURE
22	0130L00003	CUT-OUT SWITCH, LOW PRESSURE
32	B1219204	BI-FLOW FILTER DRIER
52	0130L00002	CUT-OUT SWITCH, LOW PRESSURE
62	0130M00030	CUT-OUT SWITCH, HIGH PRESSURE
192	0121L00359	SHIELD-EVAPORATOR DRIP
252	0121L00944	BASE PAN-INDOOR
262	0121L02129	BASE PAN, OUTDOOR
302	ZP51K5ETF5130	COMP,51000,208/230/60/3 (M1, M2, M3, M4, M5, M6, M7)
302	ZP51K5ETFD130	COMP,51000,460/60/3 (M8, M9, M10)
312	0159L00066	COMPRESSOR SCROLL HARNESS
312	0159L00067	COMPRESSOR SCROLL HARNESS
322	M0221641	TF SHOULDER SCREW (QTY 8)
332	B1339533	COMPRESSOR GROMMET (QTY 8)
342	0121L02128	COMPRESSOR MOUNTING PLATE (QTY 2)
NS	B1373315	ACCESS FITTING (QTY 4)
NS	0141L00006X	BOARD FORK (QTY 2)
NS	0121L00055	BRACKET-FORK BOARD (QTY 4)
NS	0163M00175	CAP WITH O-RING (QTY 4)

Expanded Model Nomenclature

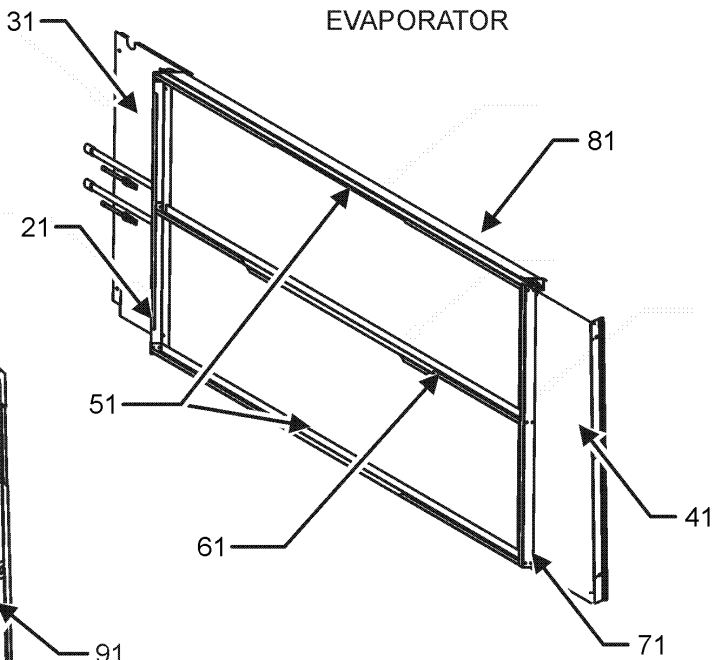
M1 - DCG1202103WVBXAB
M2 - DCG1202103WVDCAB
M3 - DCG1202103WVXGAB
M4 - DCG1202103WVXTAB
M5 - DCG1202103WWXCAB
M6 - DCG1202103WXSXAB
M7 - DCG1202103WXXXAB
M8 - DCG1202104WJXFAC
M9 - DCG1202104WWXNAC
M10 - DCG1202104WXXBAC

Condenser, Evaporator & Partition Assy

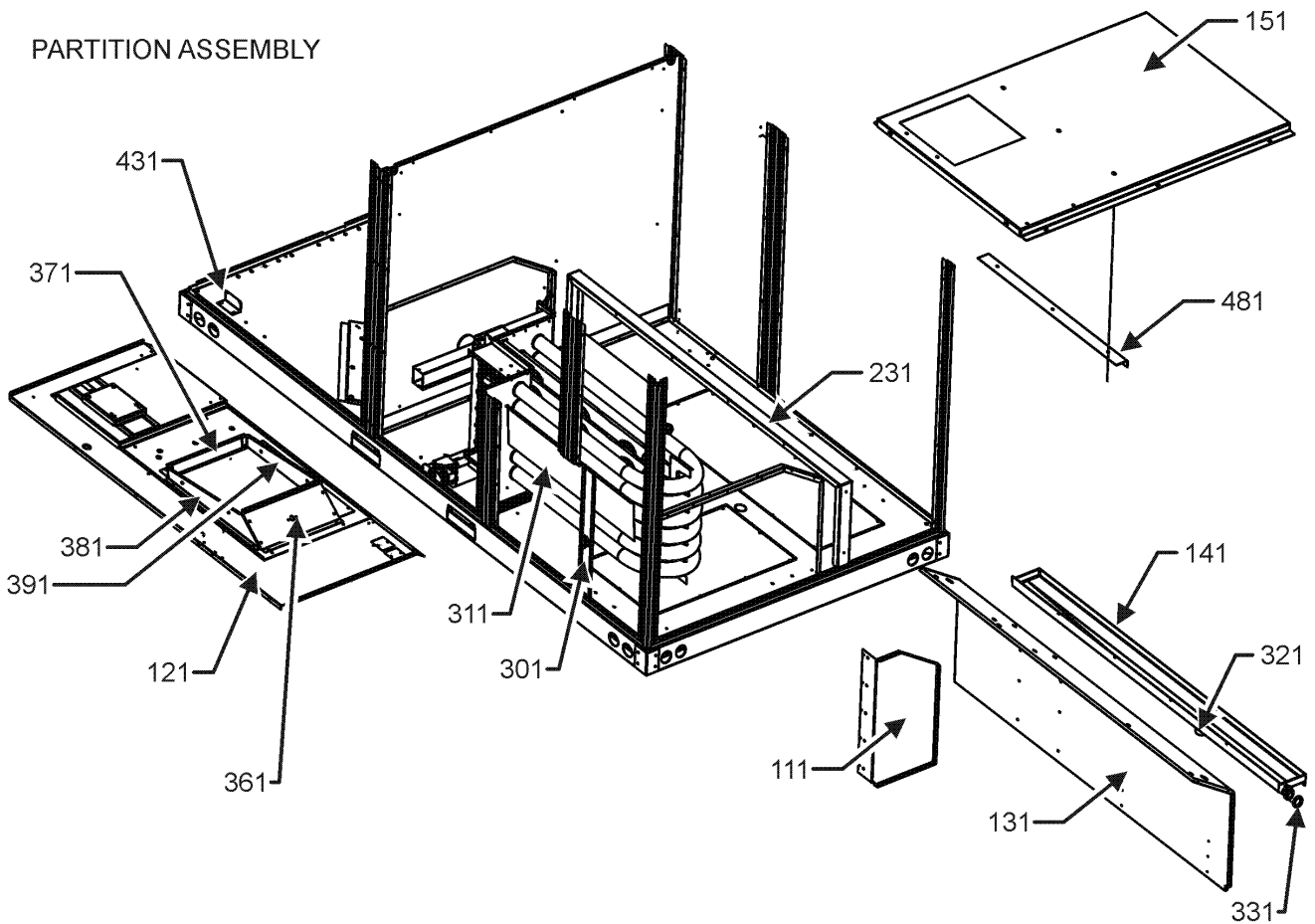
CONDENSER



EVAPORATOR



PARTITION ASSEMBLY



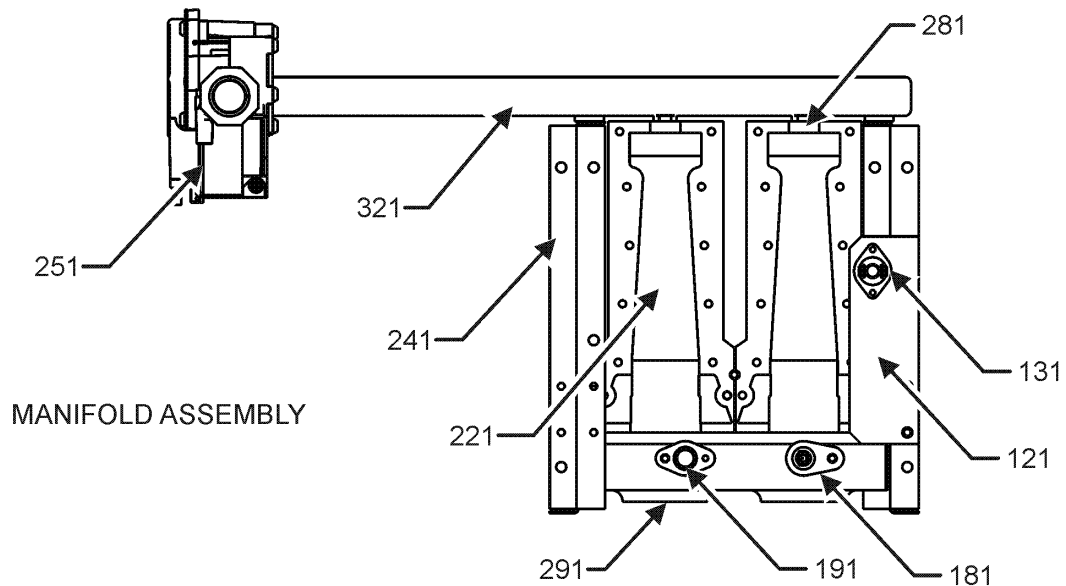
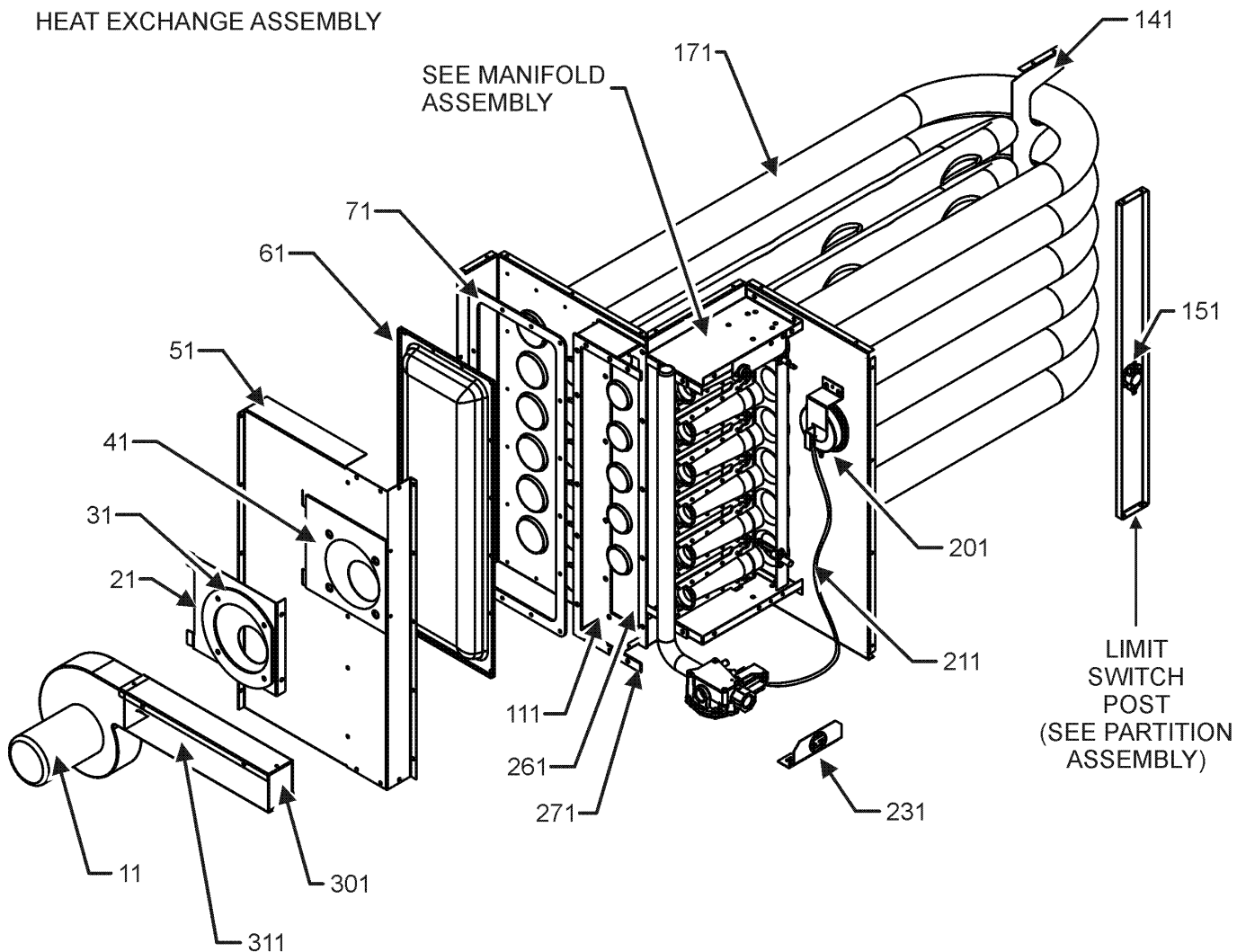
Condenser, Evaporator & Partition Assy

Ref. Part No: No:	Description:	Ref. Part No: No:	Description:
Image 1:			
21	0121L01257		ANGLE, FILTER VERTICAL
31	0121L00210		EVAP EXTENSION-RETURN SIDE
41	0121L00843		EVAP EXTENSION-HAIRPIN SIDE
51	0121L00650		FILTER ANGLE-VERTICAL (RETURN SIDE)
61	0121L00649		FILTER ANGLE - HORIZONTAL (QTY 2)
71	0121L00358		FILTER ANGLE-VERTICAL (HAIRPIN SIDE)
81	0202L00085		EVAP COIL ASSY, CFLOW
91	0201L00679		COND COIL ASSY, 5MMC1
101	0201L00680		COND COIL ASSY, 5MMC1
111	0121L00522		BLOCKOFF-HEAT EXCHANGER
121	0121L03117		DECK-BLOWER
131	0121L00374		DECK SIDE CHANNEL
141	0161L00002		DRAIN PAN
151	0121L00366		BASE-HEAT EXCHANGER
231	0121L02984		SUPPORT, PAN, DRAIN
301	0121L03099		POST-LIMIT SWITCH
311	0121L00136		BAFFLE-BLOWER
321	0163L00071		DRAIN PAN PLUG
331	0154L00009		GASKET-DRAIN PAN
361	0121L00168		201
371	0121L00169		BLOWER TRANSITION, LH END
381	0121L00092		BLOWER TRANSITION, FRONT
391	0121L00094		BLOWER TRANSITION, BACK
431	0121L00914		BRACE-CONDENSER (QTY 2)
481	0121L00143		ANGLE-HT BASE BRACE
NS	0160L00175		AIR FILTER 16 X 24 X 2 (QTY 4)
NS	0121L01398		DECK, SUPPORT BLOWER (M2)
NS	0121L01402		DECK, SUPPORT CONTROL (M2)
NS	0121L00321		SMOKE DETECTOR COVER (QTY 2)

Expanded Model Nomenclature

- | |
|------------------------|
| M1 - DCG1202103WVBXAB |
| M2 - DCG1202103WVDCAB |
| M3 - DCG1202103WVXGAB |
| M4 - DCG1202103WVXTAB |
| M5 - DCG1202103WWXCAB |
| M6 - DCG1202103WXSXAB |
| M7 - DCG1202103WXXXAB |
| M8 - DCG1202104WJXFAC |
| M9 - DCG1202104WWXNAC |
| M10 - DCG1202104WXXBAC |

Heat Exchange Assembly



Heat Exchange Assembly

Ref. Part No:	Part No:	Description:	Ref. Part No:	Part No:	Description:
---------------	----------	--------------	---------------	----------	--------------

Image 1:

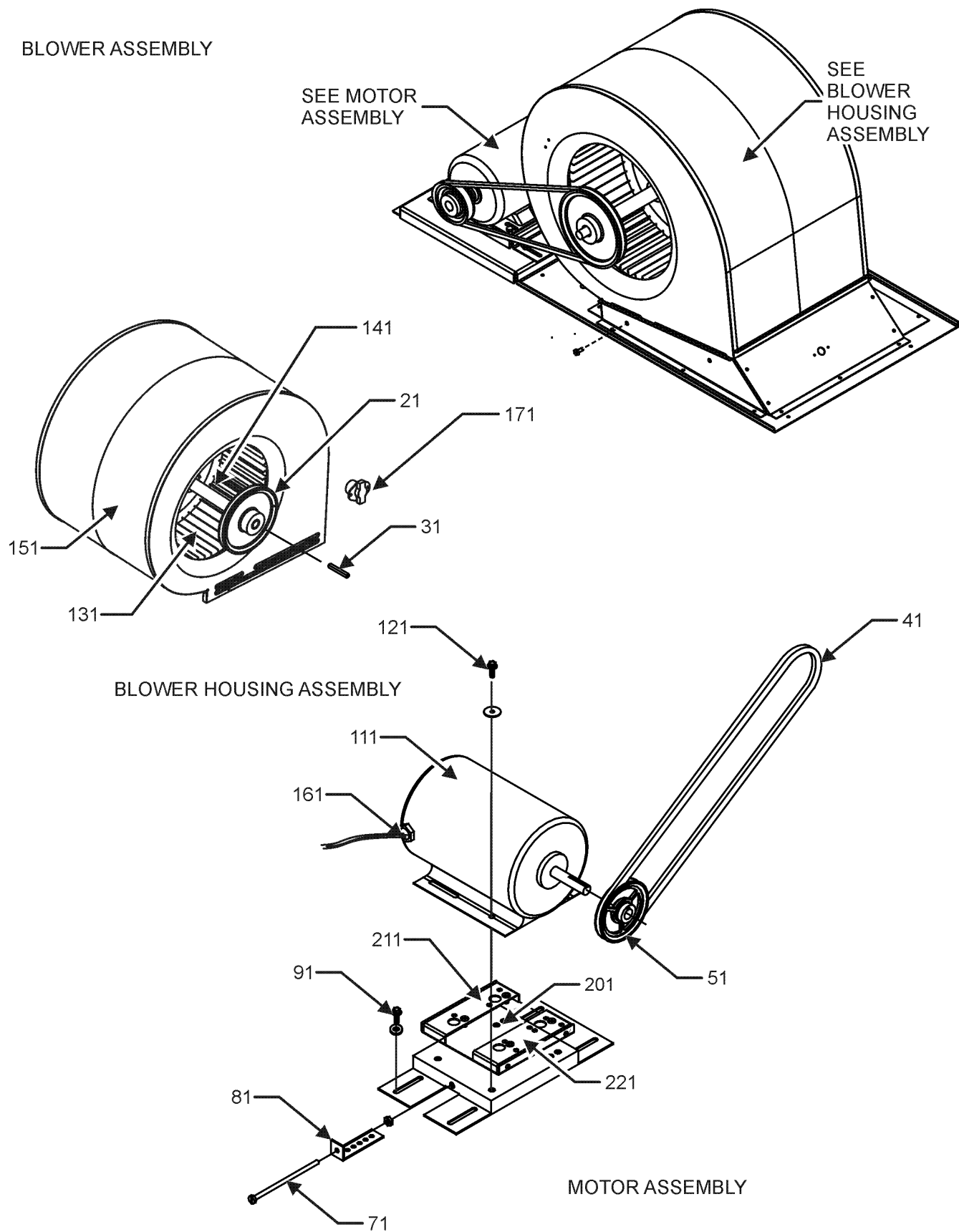
11	0131L00002	VENT MOTOR
21	0121L00080	MOUNTING PLATE-ID BLOWER
31	0154L00007	GASKET, BLOWER/ORIFICE PLATE
41	0154L00006	GASKET, COLLECTOR/ORIFICE PLATE
51	0121L00077	COLLECTOR BOX COVER
61	0121L00072	REAR COVER, HEAT EXCHANGER
71	0154L00010	REAR COVER GASKET, HEAT EXCHANGER
111	0121L00076	COLLECTOR BOX CHANNEL
121	0121L00323	FLAME ROLLOUT BRACKET
131	10123532	MANUAL RESET LIMIT 350°F
141	0121L01436	SUPPORT-HT TUBES 6
151	B1370199	PRIMARY LIMIT SWITCH 190°F
171	0270L00171	HEAT EXCHANGER ASSY 6B (M6)
171	0270L00752	HEAT EXCHANGER ASSY 6B (M1, M2, M3, M4, M5, M7, M8, M9, M10)
181	0130F00010	FLAME SENSOR
191	20261709	IGNITOR
201	11112501	PRESSURE SWITCH
211	A3468601	PRESSURE SWITCH HOSE
221	0163L00000	BECKETT BURNER (QTY 6)
231	0121L00147	PIPE BRACKET-GAS VALVE
241	0121G00268	BRACKET-BURNER TOP/BOT (QTY 2)
251	0151L00000	GAS VALVE, MANIFOLD (36H)
261	0154L00011	INNER GASKET, COLLECTOR BOX
271	0154L00012	OUTER GASKET, COLLECTOR BOX
281	0163L00007	ORIFICE #34 DRILL (QTY 6)
291	0121L00075	BRACKET-6 BURNERS
301	0163L00006	FLUE SCREEN
311	0121L00049	HEAT EXCHANGER FLUE (QTY 2)
321	0163L00010	MANIFOLD - 6 BRNR
NS	0121L00130NG	FLUE COLLAR
NS	B1392609	SEAL STRIP, RED, 1/8 X 1/2 X 100 (QTY 3)

Expanded Model Nomenclature

- | |
|------------------------|
| M1 - DCG1202103WVBXAB |
| M2 - DCG1202103WVDCAB |
| M3 - DCG1202103WVXGAB |
| M4 - DCG1202103WVXTAB |
| M5 - DCG1202103WWXCAB |
| M6 - DCG1202103WXSXAB |
| M7 - DCG1202103WXXXAB |
| M8 - DCG1202104WJXFAC |
| M9 - DCG1202104WWXNAC |
| M10 - DCG1202104WXXBAC |

Blower Assembly

BLOWER ASSEMBLY



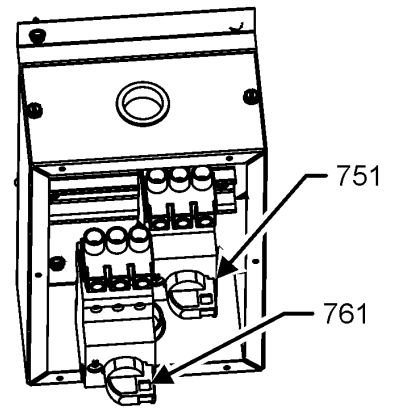
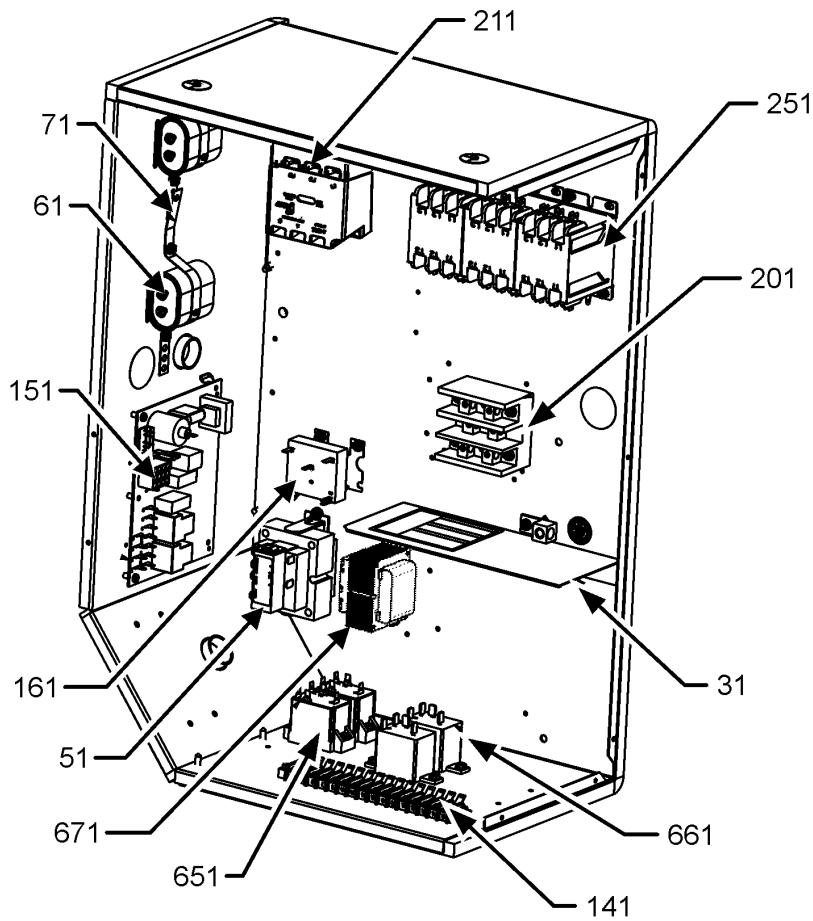
Blower Assembly

Ref. Part No:	No:	Description:	Ref. Part No:	No:	Description:
Image 1:					
21	0163L00194	SHEAVE, FIXED AK84H			
31	0163M00407	MACHINE KEY, SPECIAL			
41	0164L00002	FAN BELT, NOTCHED			
51	0163L00052	VARIABLE PITCH SHEAVE			
71	0163M00045	BOLT 1/4-20 X 4"			
81	3225000F	BELT TIGHTENER ANGLE			
91	B1446707	SCREW 5/16-18 X 1" (QTY 4)			
111	0131L00073	Motor, 3ph, 5hp (M1, M2, M3, M4, M5, M6, M7)			
111	0131L00074	Motor, 3ph, 5hp (M8, M9, M10)			
121	B1393738	BOLT 1/4-20 X 3/4" (QTY 4)			
131	03-78497	BLOWER WHEEL			
141	04-11526	BLOWER SHAFT			
151	04-01526	BLOWER HOUSING			
161	0259L00160	HARNES-BELT DRIVE 2 SP MOTOR			
171	20162904	PRIMARY LIMIT-TEMPERATURE CONTROL			
201	0121L02331	PLATE-MOTOR MOUNTING			
211	0121L02330	ANGLE-MOTOR MOUNT, FRONT			
221	0121L01461	ANGLE-MOTOR MOUNT, BACK			
NS	0121L03460	BASE, MOTOR			
NS	04-02196	BLOWER BEARING & FRAME ASSY			
NS	B1392923	WASHER / FLAT (QTY 4)			
NS	B1392918	WASHER, FLAT 1/4 ID X 1 OD (QTY 4)			

Expanded Model Nomenclature

M1 - DCG1202103WVBXAB
M2 - DCG1202103WVDCAB
M3 - DCG1202103WVXGAB
M4 - DCG1202103WVXTAB
M5 - DCG1202103WWXCAB
M6 - DCG1202103WXSXAB
M7 - DCG1202103WXXXAB
M8 - DCG1202104WJXFAC
M9 - DCG1202104WWXNAC
M10 - DCG1202104WXXBAC

Control Box Assembly



CIRCUIT BREAKER
CONTROL ASSEMBLY

Control Box Assembly

Ref. Part No:	Ref. Part No:	Description:	Description:
Image 1:			
31	0121G00491	VOLTAGE BARRIER	
51	0130M00594	TRANSFORMER (M1, M2, M3, M4, M5, M6, M7)	
51	0130M00595	TRANSFORMER, 75VA, 480V TO 24V (M8, M9,	
61	CAP100000370LA	CAPACITOR 10/370V (QTY 2)	
71	20520901	CAPACITOR STRAP (QTY 8)	
141	0130M00038	TERMINAL BOARD	
151	PCBAG123	IGNITION BOARD, DSI INTEGRATED	
161	0130M00025	RELAY, SPDT	
201	16220-3	BLOCK, POWER	
211	0130L00105	PHASE MONITOR (M1)	
251	CONT3P025024V	CONTACTOR 25 AMP, 3P, 24V (QTY 4)	
651	10135604	RELAY (QTY 2)	
661	0130M00242	RELAY, 24V (QTY 2)	
671	0130M00596	TRANS, 150VA, 480V TO 230V (M8, M9, M10)	
751	0130L00070	ROTARY MANUAL MOTOR PROTECTOR (M8, M9, M10)	
751	0130L00084	ROTARY MANUAL MOTOR PROTECTOR (M1, M2, M3, M4, M5, M6, M7)	
761	0130L00070	ROTARY MANUAL MOTOR PROTECTOR (M8, M9, M10)	
761	0130L00082	ROTARY MANUAL MOTOR PROTECTOR (M1, M2, M3, M4, M5, M6, M7)	
NS	0259L00161	CIRCUIT BREAKER HARNESS	
NS	0259L00161	CIRCUIT BREAKER HARNESS	
NS	0259L00160	HARNESS-BELT DRIVE 2 SP MOTOR	
NS	0259L00181	HARNESS-BELT DRIVE 2 SP MOTOR	
NS	0259L00092	HARNESS-SMOKE DETECTOR SENSOR (M3, M4, M9)	
NS	0259L00428	WIRE ASSY (M1)	
NS	0259L00192	WIRE HARNESS, ECONOMIZER	
NS	0259L00090	WIRE HARNESS-SMOKE DETECTOR (M3, M4, M9)	

Expanded Model Nomenclature

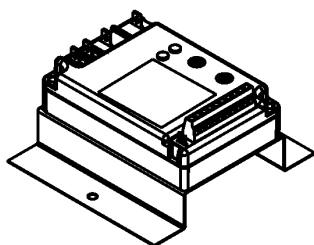
M1 - DCG1202103WVBXAB
M2 - DCG1202103WVDCAB
M3 - DCG1202103WVXGAB
M4 - DCG1202103WVXTAB
M5 - DCG1202103WWXCAB
M6 - DCG1202103WXSXAB
M7 - DCG1202103WXXXAB
M8 - DCG1202104WJXFAC
M9 - DCG1202104WWXNAC
M10 - DCG1202104WXXBAC

Accessory Parts List

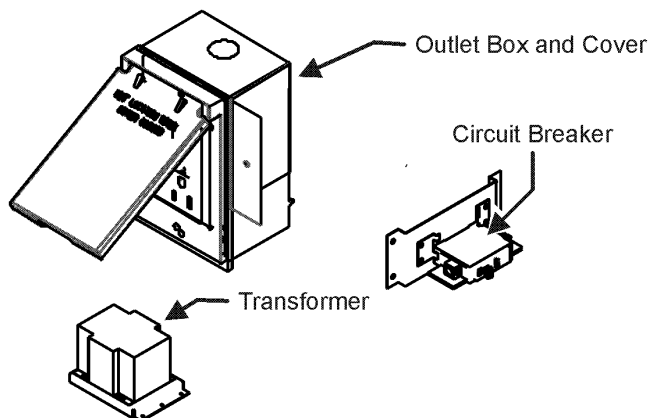
ACCESSORY PARTS LIST

NOTE: NOT ALL OPTIONS AVAILABLE FOR ALL PRODUCTS

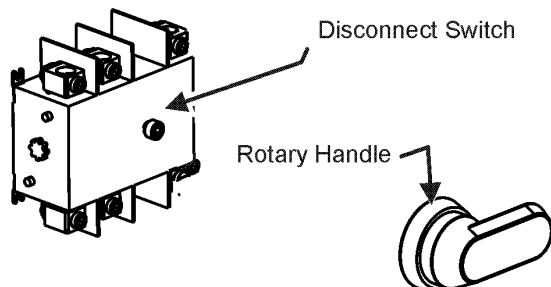
1 LOW AMBIENT KITS



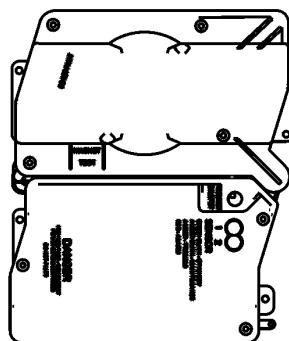
2 GFCI CONVENIENCE OUTLET



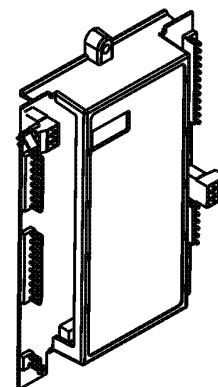
3 DISCONNECT MODULE (NON-FUSED)



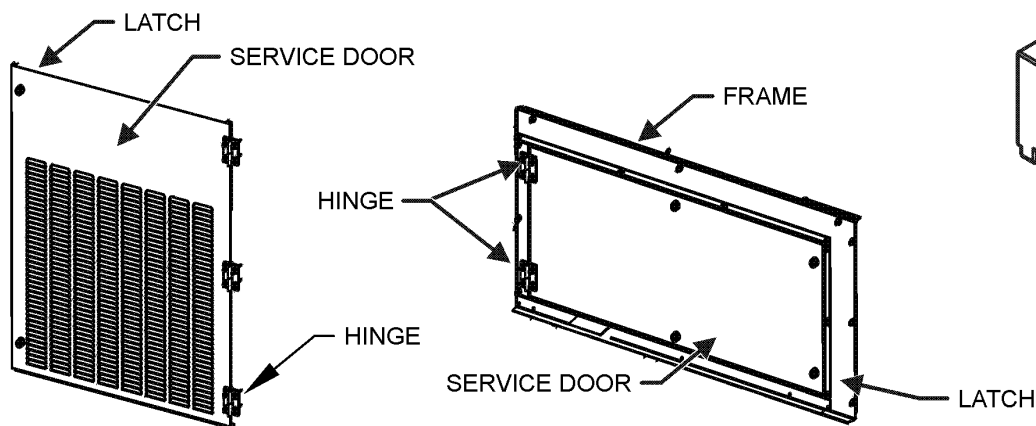
4 SMOKE DETECTORS



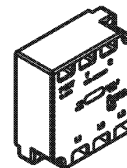
5 DDC CONTROL



6 HINGED DOOR ASSEMBLIES



7 PHASE MONITOR



Accessory Parts List

Ref. Part No:	Ref. Part No:	Description:	Description:
Image 1:			
NS DDNECNJ90150B		7.5-12.5 TON DFLOW ECON (M1, M2, M3, M4, M5, M9)	
NS 1036610B		7.5-12.5 TON DFLOW ECONOMIZER (M8)	
NS 0121L00316		BRACKET-CONV OUTLET MOUNT (M3, M4, M8, M9, M10)	
NS 0121L00768		BRACKET-SMOKE DETECTOR (M3, M4, M9)	
NS 0130M00065		CIRCUIT BREAKER, CONVENIENCE OUTLET (M4, M9, M10)	
NS 0121L00973NG		DISCONNECT SWITCH COVER (M5, M8, M9)	
NS 0121L01397NG		DOOR FRAME, BLOWER (M2)	
NS 0121L01406NG		DOOR FRAME, CONTROL (M2)	
NS 0121L02481NG		DOOR, SERVICE, BACK, BLOWER (M2)	
NS 0121L02480NG		DOOR, SERVICE, FRONT, BLOWER (M2)	
NS 0130L00012		GANG BOX-GFCI OUTLET (M3, M4, M8, M9, M10)	
NS 0130L00039		HANDLE, ROTARY (M5, M8, M9)	
NS 0163M00307		HINGE, LEFT HAND (M2)	
NS 0163M00308		HINGE, RIGHT HAND (M2)	
NS 0163M00322		LATCH (M2)	
NS 0130M00059		LOW AMBIENT KIT (M2, M4, M5, M8)	
NS 0121L02220NG		PNT, DOOR FRAME FILTER (M2)	
NS 0121L02223NG		PNT, SERVICE DOOR BACK FILTER (M2)	
NS 0121L02218NG		PNT, SERVICE DOOR FRONT FILTER (M2)	
NS 0161G00012		POWER OUTLET BOX (M3, M4, M8, M9, M10)	
NS 0130L00103		RECEPTACLE-GFCI OUTLET (M3, M4, M8, M9, M10)	
NS 0121L01404NG		SERVICE DOOR BACK, CONTROL (M2)	
NS 0121L01403NG		SERVICE DOOR FRONT, CONTROL (M2)	
NS 0130L00057		SHAFT, CUT (M5, M8, M9)	
NS 0130L00049		SHAFT, DISCONNECT (M5, M8, M9)	
NS D4120		SMOKE DETECTOR, PHOTO 4WIRE (M3, M4, M9)	
NS 0130L00046		SWITCH-DISCONNECT 60A (M5, M8, M9)	
NS 0130M00061		TRANSFORMER, CONVENIENCE OUTLET (M4, M9, M10)	

Expanded Model Nomenclature

M1 - DCG1202103WVBXAB
M2 - DCG1202103WVDCAB
M3 - DCG1202103WVXGAB
M4 - DCG1202103WVXTAB
M5 - DCG1202103WWXCAB
M6 - DCG1202103WXSXAB
M7 - DCG1202103WXXXAB
M8 - DCG1202104WJXFAC
M9 - DCG1202104WWXNAC
M10 - DCG1202104WXXBAC