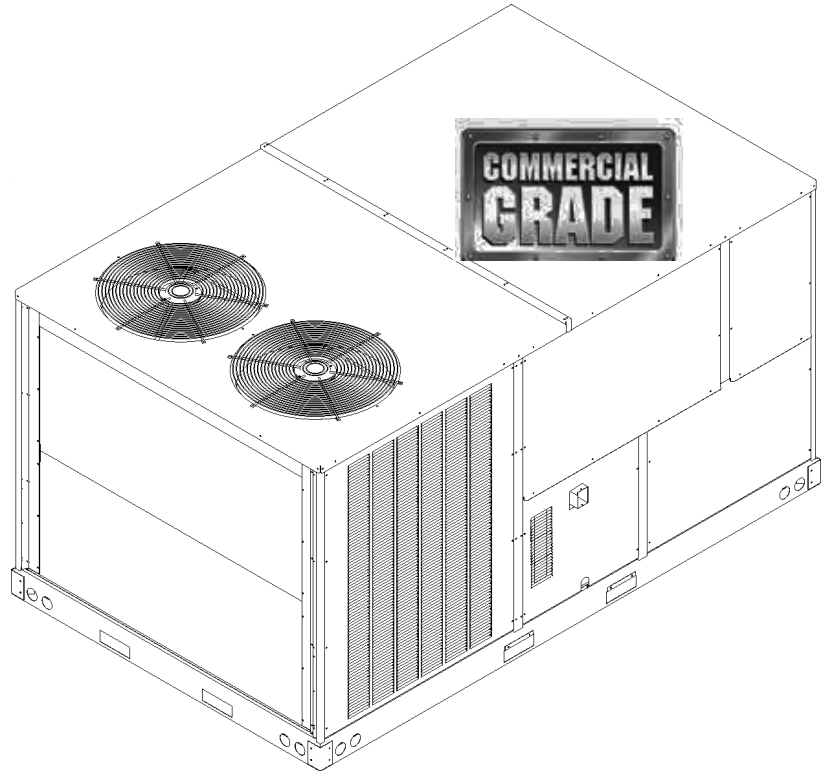


Commercial 10 Ton Package Gas Unit

DCG1202103BAXAAA
DCG1202103BAXGAB
DCG1202103BAXXAA
DCG1202103BAXXAB
DCG1202103BHAXAA
DCG1202103BHAXAAB
DCG1202103BHXBAA
DCG1202103BHXBAB
DCG1202103BHXXAA
DCG1202103BHXXAB
DCG1202103BJXGAA
DCG1202103BJXGAB
DCG1202103BJXVAA
DCG1202103BJXVAB
DCG1202103BXSXAA
DCG1202103BXSXAB
DCG1202103BXXHAA
DCG1202103BXXHAB
DCG1202103BXXXAA
DCG1202103BXXXAB
DCG1202104BAXMAB
DCG1202104BHXNAC
DCG1202104BJXAAB
DCG1202104BXXXAA
DCG1202104BXXXAB
DCG1202104BXXXAC
DCG1202107BAXXAA
DCG1202107BXSXAA
DCG1202107BXXXAA
DCG1202107BXXXAB



This manual is to be used by qualified technicians only.

This manual replaces RP-D1009D.

Important Information

Index

Functional Parts List	3
Illustration and Parts	4 - 19

Views shown are for parts illustrations only, not servicing procedures

Text Codes:

AR - As Required

NA - Not Available

NS - Not Shown

00000000 - See Note

QTY - Quantity Example (QTY 3) (If Quantity not shown, Quantity = 1)

M - Model Example (M1) (If M Code not shown, then part is used on all Models)

Expanded Model Nomenclature:

Example M1 - Model#1 M2 - Model#2 M3 - Model#3

Daikin Company, L.P. is not responsible for personal injury or property damage resulting from improper service. Review all service information before beginning repairs.

Warranty service must be performed by an authorized technician, using authorized factory parts. If service is required after the warranty expires, Daikin Company, L.P. also recommends contacting an authorized technician and using authorized factory parts.

Daikin Company, L.P. reserves the right to discontinue, or change at any time, specifications or designs without notice or without incurring obligations.

For assistance within the U.S.A. contact:

Consumer Affairs Department

Daikin North America, LLC

7401 Security Way

Houston, Texas 77040

855-770-5678-Telephone

713-863-2382-Facsimile

For assistance outside the U.S.A. contact:

International Division

Daikin North America, LLC

7401 Security Way

Houston, Texas 77040

713-861-2500-Telephone

713-863-2382-Facsimile

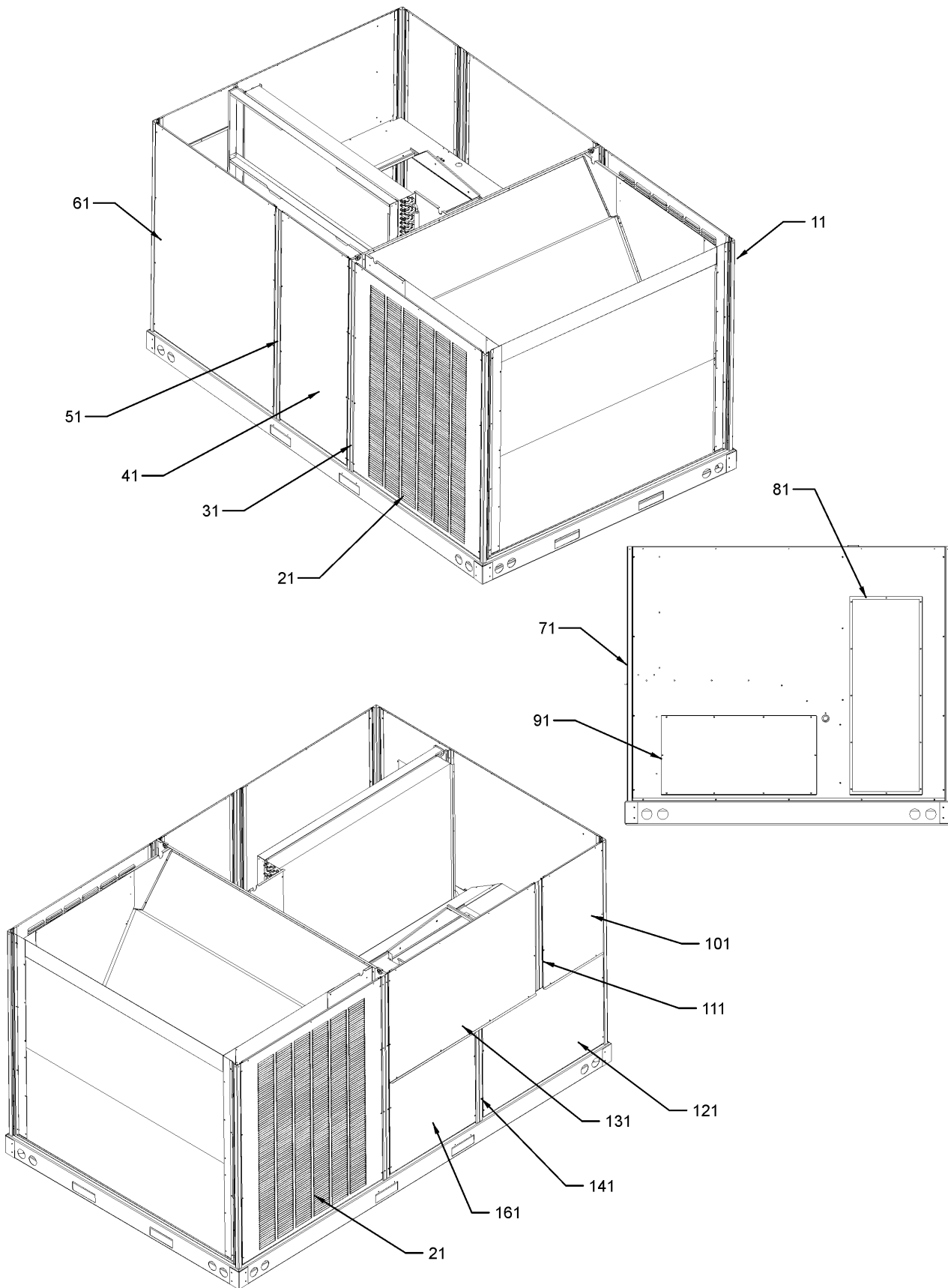
Functional Parts

Part

No: **Description:**

Part No:	Description:	Expanded Model Nomenclature
B3240006	BELT DRIVE MOTOR 2 HP (M1, M2, M3, M4, M5, M6, M7, M8, M9, M10, M11, M12, M13, M14, M15, M16, M17, M18, M19, M20, M21, M22, M23, M24, M25, M26)	M1 - DCG1202103BAXAAA M2 - DCG1202103BAXGAB
0131L00005	BELT DRIVE MOTOR 2 HP 575 V (M27, M28, M29, M30)	M3 - DCG1202103BAXXAA M4 - DCG1202103BAXXAB
03-78497	BLOWER WHEEL	M5 - DCG1202103BHXAAA M6 - DCG1202103BHXAAB
CAP100000370LA	CAPACITOR 10/370V (M1, M2, M3, M4, M5, M6, M7, M8, M9, M10, M11, M12, M13, M14, M15, M16, M17, M18, M19, M20, M21, M22, M23, M25, M26)	M7 - DCG1202103BHXBAA M8 - DCG1202103BHXBAB
CAP050000370LA	CAPACITOR 5/370V (M24, M27, M28, M29)	M9 - DCG1202103BHXXAA M10 - DCG1202103BHXXAB
CAP050000440LA	CAPACITOR 5/440V (M30)	M11 - DCG1202103BJXGAA M12 - DCG1202103BJXGAB
ZP51K5ETF5130	COMPRESSOR 51000, 208/230/60/3 (M1, M2, M3, M4, M5, M6, M7, M8, M9, M10, M11, M12, M13, M14, M15, M16, M17, M18, M19, M20)	M13 - DCG1202103BJXVAA M14 - DCG1202103BJXVAB
ZP51K5ETFD130	COMPRESSOR 51000, 460/60/3 (M21, M22, M23, M24, M25, M26)	M15 - DCG1202103BXSXAA M16 - DCG1202103BXSXAB
ZP51K5ETFE130	COMPRESSOR 51000, 575/60/3 (M27, M28, M29, M30)	M17 - DCG1202103BXXHAA M18 - DCG1202103BXXHAB
0131M00430	COND MOTOR 1/3 HP, 1 SP, 6 PL (M1, M2, M3, M4, M5, M6, M7, M8, M9, M10, M11, M12, M13, M14, M15, M16, M17, M18, M19, M20)	M19 - DCG1202103BXXXAA M20 - DCG1202103BXXXAB
B13400249	COND MOTOR 1/3 HP, 460V (M24)	M21 - DCG1202104BAXMAB M22 - DCG1202104BHXNAC
0131M00179	COND MOTOR 1/3 HP, 6 PL, 575V (M27, M28, M29)	M23 - DCG1202104BJXAAB M24 - DCG1202104BXXXAA
0131M00500	COND MOTOR 1/3 HP, OD, LAK (M30)	M25 - DCG1202104BXXXAB M26 - DCG1202104BXXXAC
CONT3P025024V	CONTACTOR 25 AMP, 3P, 24V (QTY 3)	M27 - DCG1202107BAXXAA M28 - DCG1202107BXSXAA
0130M00031	CUT-OUT SWITCH, HIGH PRESSURE	M29 - DCG1202107BXXXAA M30 - DCG1202107BXXXAB
0130M00030	CUT-OUT SWITCH, HIGH PRESSURE	
0130L00002	CUT-OUT SWITCH, LOW PRESSURE	
0130L00003	CUT-OUT SWITCH, LOW PRESSURE	
0130F00010	FLAME SENSOR	
0151L00000	GAS VALVE (36H)	
PCBAG123	IGNITION BOARD, DSI INTEGRATED	
20261709	IGNITOR	
10123532	MANUAL RESET LIMIT 350°F	
16330-3	POWER BLOCK	
11112501	PRESSURE SWITCH	
B1370199	PRIMARY LIMIT SWITCH 190°F	
20162904	PRIMARY LIMIT-TEMPERATURE CONTROL	
0130M00038	TERMINAL BOARD	
0130M00144	TRANSFORMER (M1, M2, M3, M4, M5, M6, M7, M8, M9, M10, M11, M12, M13, M14, M15, M16, M17, M18, M19, M20)	
0130M00146	TRANSFORMER 480V TO 230V, 150VA (M21, M22, M23, M24, M25, M26)	
0130M00145	TRANSFORMER 480V to 24V, 75VA (M21, M22, M23, M24, M25, M26)	
0130M00147	TRANSFORMER 575V TO 230V, 150VA (M27, M28, M29, M30)	
0130M00148	TRANSFORMER 575V to 24V, 75VA (M27, M28, M29, M30)	
0131L00002	VENT MOTOR	

Cabinet Assembly



Cabinet Assembly

Ref. Part No:	Part No:	Description:	Ref. Part No:	Part No:	Description:
---------------	----------	--------------	---------------	----------	--------------

Image 1:

11	0121L00065RFNG	CORNER POST (QTY 4)
21	0121L00511NG	LOUVERED SIDE PANEL (QTY 2)
31	0121L00738RFNG	ROLL FORM SIDE POST (QTY 2)
41	0121L00737NG	FILTER DOOR
51	0121L00739RFNG	FILTER DOOR POST
61	0121L00510NG	ECONOMIZER DOOR
71	0121L01364NG	DUCT PANEL
81	0121L00082NG	RETURN DUCT COVER
91	0121L00099NG	SUPPLY DUCT COVER
101	0121L00974NG	CONTROL DOOR
111	0121L00762RFNG	CONTROL BOX POST
121	0121L00767NG	ELECTRIC HEAT DOOR
131	0121L00763NG	BLOWER DOOR
141	0121L00765RFNG	BURNER BOX POST
161	0121L00766NG	BURNER DOOR
NS	0121L00129	DOOR RAIN SHIELD
NS	0164L00009	GASKET-RUBBER, CPOST (QTY 3)
NS	0164L00011	GASKET-RUBBER, SIDE POST (QTY 4)

Expanded Model Nomenclature

M1 - DCG1202103BAXAAA
M2 - DCG1202103BAXGAB
M3 - DCG1202103BAXXAA
M4 - DCG1202103BAXXAB
M5 - DCG1202103BHAXAA
M6 - DCG1202103BHAXAB
M7 - DCG1202103BHXBAA
M8 - DCG1202103BHXBAB
M9 - DCG1202103BHXXAA
M10 - DCG1202103BHXXAB
M11 - DCG1202103BJXGAA
M12 - DCG1202103BJXGAB
M13 - DCG1202103BJXVAA
M14 - DCG1202103BJXVAB
M15 - DCG1202103BXSXAA
M16 - DCG1202103BXSXAB
M17 - DCG1202103BXXHAA
M18 - DCG1202103BXXHAB
M19 - DCG1202103BXXXAA
M20 - DCG1202103BXXXAB
M21 - DCG1202104BAXMAB
M22 - DCG1202104BHXNAC
M23 - DCG1202104BJXAAB
M24 - DCG1202104BXXXAA
M25 - DCG1202104BXXXAB
M26 - DCG1202104BXXXAC
M27 - DCG1202107BAXXAA
M28 - DCG1202107BXSXAA
M29 - DCG1202107BXXXAA
M30 - DCG1202107BXXXAB

Top Panel / Tubing Assembly

Image 1

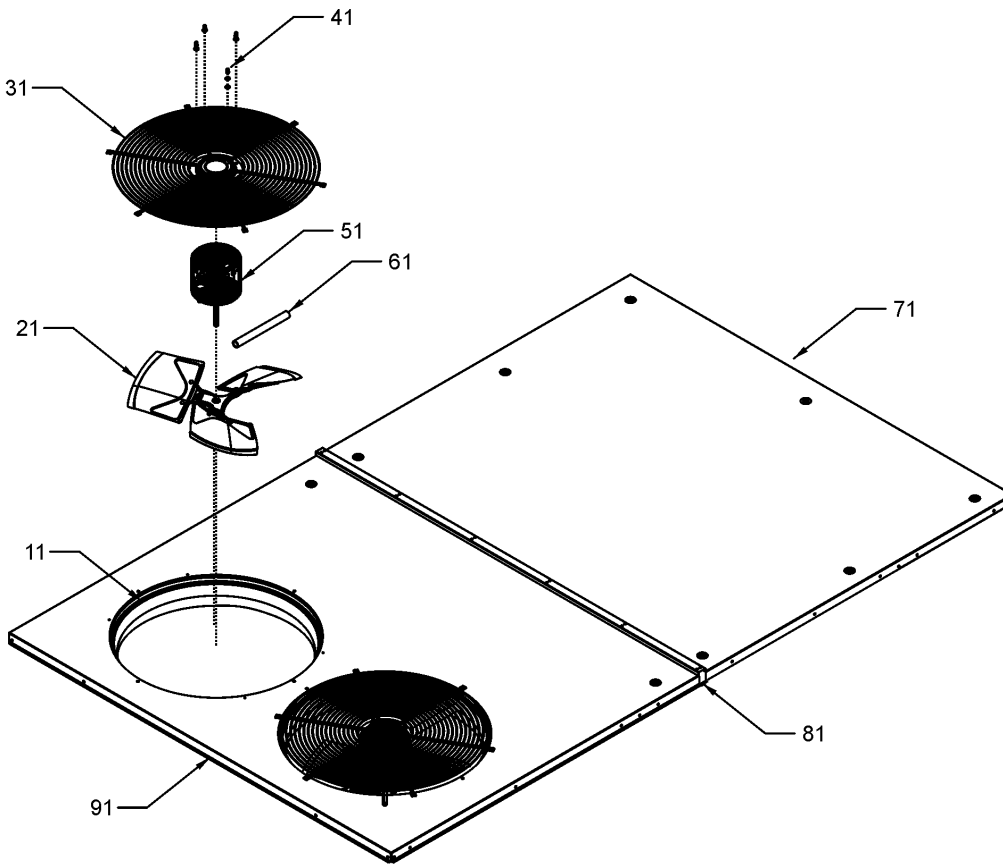
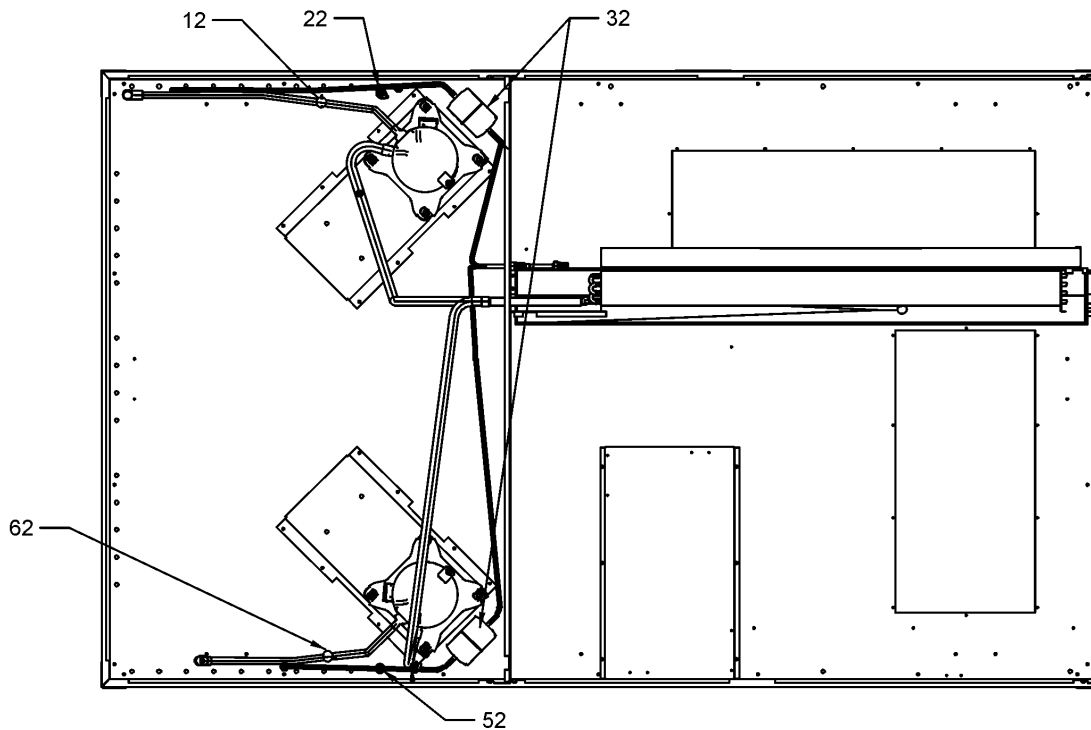


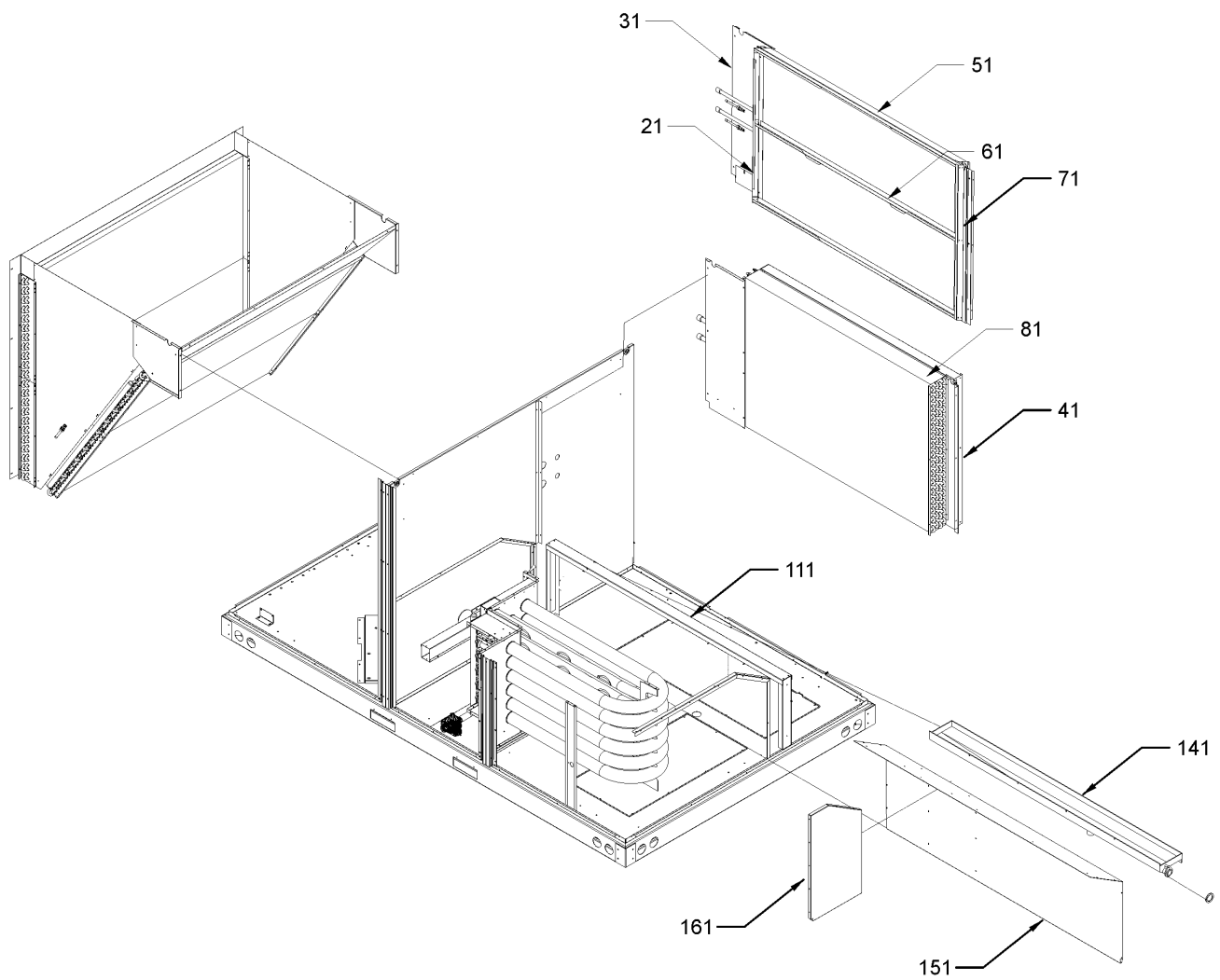
Image 2



Top Panel / Tubing Assembly

Ref. Part No: No:	Description:	Ref. Part No: No:	Description:
Image 1:		Expanded Model Nomenclature	
11	0161L00000 VENTURI RING 22" (QTY 2)	M1	- DCG1202103BAXAAA
21	10625733 FAN BLADE 22" ALUM CCW (QTY 2)	M2	- DCG1202103BAXGAB
31	0152G00003 FAN GRILLE (M24, M27, M28, M29)	M3	- DCG1202103BAXXAA
31	0152G00000 FAN GRILLE, RAISED (M1, M2, M3, M4, M5, M6, M7, M8, M9, M10, M11, M12, M13, M14, M15, M16, M17, M18, M19, M20, M21, M22, M23, M25, M26, M30)	M4	- DCG1202103BAXXAB
41	0163M00006P ACORN NUT 5/16 HEX BLACK (QTY 8)	M5	- DCG1202103BHXAAA
51	0131M00430 COND MOTOR 1/3 HP, 1 SP, 6 PL (M1, M2, M3, M4, M5, M6, M7, M8, M9, M10, M11, M12, M13, M14, M15, M16, M17, M18, M19, M20)	M6	- DCG1202103BHXAAAB
51	B13400249 COND MOTOR 1/3 HP, 460V (M24)	M7	- DCG1202103BHXBAA
51	0131M00179 COND MOTOR 1/3 HP, 6 PL, 575V (M27, M28, M29)	M8	- DCG1202103BHXBAB
51	0131M00500 COND MOTOR 1/3 HP, OD, LAK (M30)	M9	- DCG1202103BHXXAA
51	0131M00433 COND MOTOR 460/60 1/3 HP (M21, M22, M23, M25, M26)	M10	- DCG1202103BHXXAB
61	17788000083F PVC CONDUIT 8.25" (QTY 2)	M11	- DCG1202103BJXGAA
71	0121L00497NG TOP INDOOR	M12	- DCG1202103BJXGAB
81	20455902 SPLICE GASKET .50 X .25 (QTY 5)	M13	- DCG1202103BJXVAA
91	0121L01105NG TOP OUTDOOR	M14	- DCG1202103BJXVAB
NS	0259L00025 COND MOTOR HARNESS 230V (M1, M2, M3, M4, M5, M6, M7, M8, M9, M10, M11, M12, M13, M14, M15, M16, M17, M18, M19, M20, M27, M28, M29, M30)	M15	- DCG1202103BXSXAA
NS	0259L00027 COND MOTOR HARNESS 230V (M1, M2, M3, M4, M5, M6, M7, M8, M9, M10, M11, M12, M13, M14, M15, M16, M17, M18, M19, M20, M27, M28, M29, M30)	M16	- DCG1202103BXSXAB
NS	0259L00026 COND MOTOR HARNESS 460V (M21, M22, M23, M24, M25, M26)	M17	- DCG1202103BXXHAA
NS	0259L00028 COND MOTOR HARNESS 460V (M21, M22, M23, M24, M25, M26)	M18	- DCG1202103BXXHAB
		M19	- DCG1202103BXXXAA
		M20	- DCG1202103BXXXAB
		M21	- DCG1202104BAXMAB
		M22	- DCG1202104BHXNAC
		M23	- DCG1202104BJXAAB
		M24	- DCG1202104BXXXAA
		M25	- DCG1202104BXXXAB
		M26	- DCG1202104BXXXAC
		M27	- DCG1202107BAXXAA
		M28	- DCG1202107BXSXAA
		M29	- DCG1202107BXXXAA
		M30	- DCG1202107BXXXAB
Image 2:			
12	0130M00031 CUT-OUT SWITCH, HIGH PRESSURE		
22	0130M00030 CUT-OUT SWITCH, HIGH PRESSURE		
32	B1219204 BI-FLOW FILTER DRIER		
52	0130L00003 CUT-OUT SWITCH, LOW PRESSURE		
62	0130L00002 CUT-OUT SWITCH, LOW PRESSURE		
NS	B1373315 ACCESS FITTING (M1, M2, M3, M4, M5, M6, M7, M8, M9, M10, M11, M12, M13, M14, M15, M16, M17, M18, M19, M20, M21, M22, M24, M25, M26, M27, M28, M29, M30)		
NS	0163M00175 CAP WITH O-RING (QTY 4)		

Evaporator / Partition Assembly



Evaporator / Partition Assembly

Ref. Part No:	Part No:	Description:	Ref. Part No:	Part No:	Description:
---------------	----------	--------------	---------------	----------	--------------

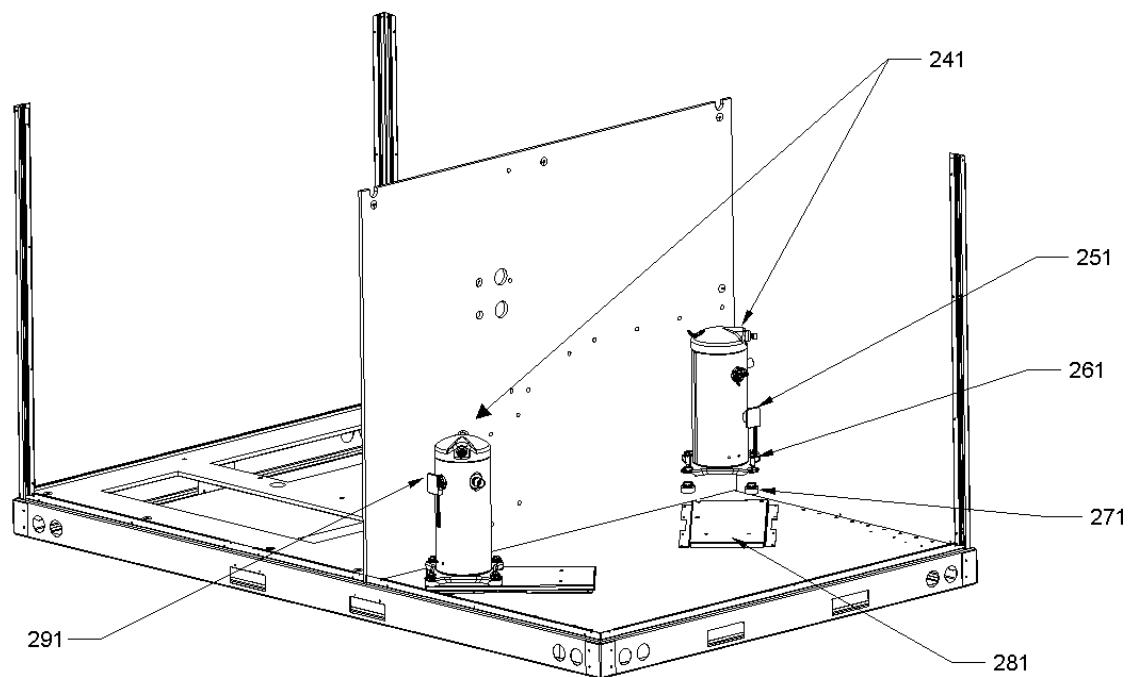
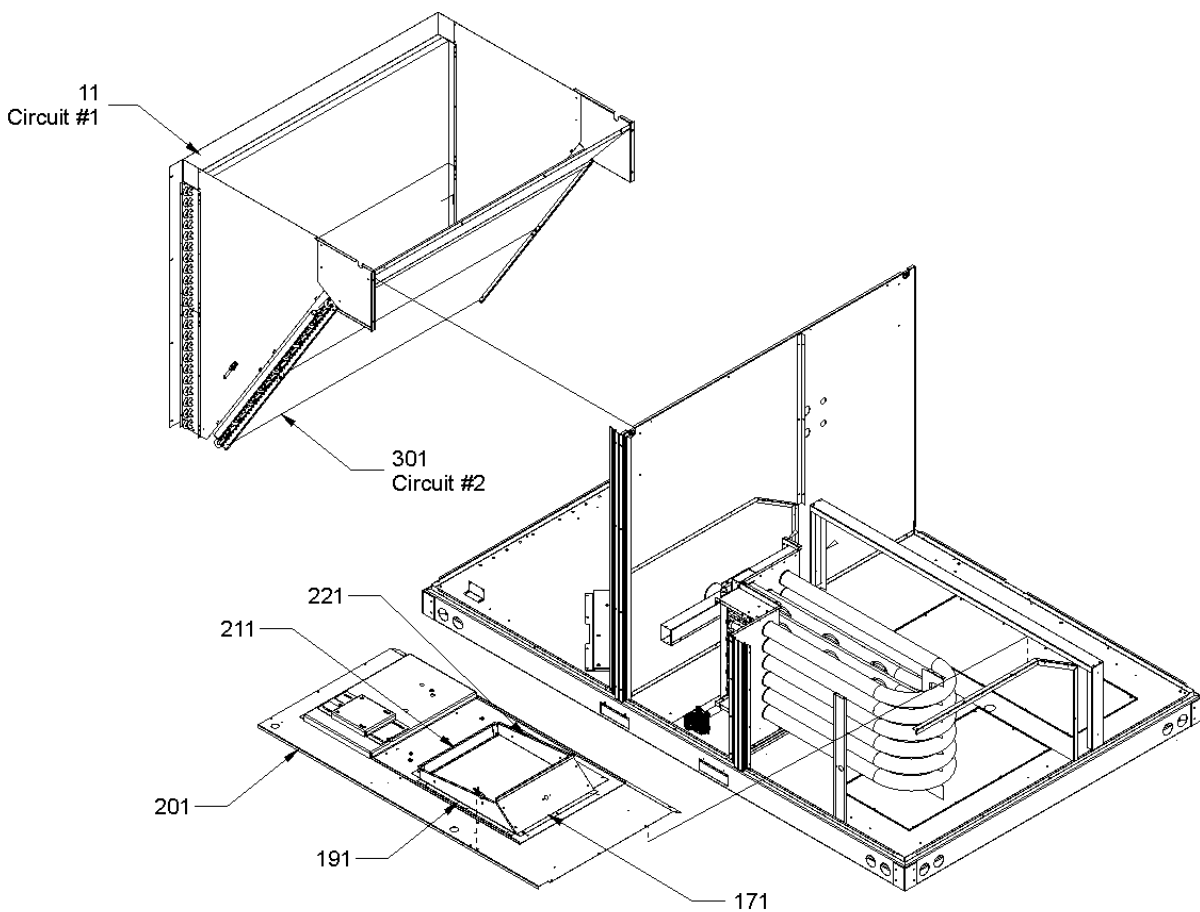
Image 1:

21	0121L00650	FILTER ANGLE-VERTICAL (RETURN SIDE)
31	0121L00210	EVAP EXTENSION-RETURN SIDE
41	0121L00843	EVAP EXTENSION-HAIRPIN SIDE
51	0121L00649	FILTER ANGLE - HORIZONTAL (QTY 2)
61	0121L01257	FILTER ANGLE - HORIZONTAL (CENTER)
71	0121L00358	FILTER ANGLE-VERTICAL (HAIRPIN SIDE)
81	0202L00059	EVAP COIL ASSY (M27, M28, M29)
81	0202L00007	TUBING ASSY, EVAP COIL (M1, M3, M5, M7, M9, M11, M13, M15, M17, M19, M21, M23, M24, M25)
81	0202L00085	TUBING ASSY, EVAP COIL (M2, M4, M6, M8, M10, M12, M14, M16, M18, M20, M22, M26, M30)
111	0121L00508	DRAIN PAN SUPPORT
141	0161L00002	DRAIN PAN
151	0121L00374	DECK SIDE CHANNEL
161	0121L00522	HEAT EXCHANGER BLOCK-OFF
NS	0160L00021	AIR FILTER (QTY 4)

Expanded Model Nomenclature

- M1 - DCG1202103BAXAAA
- M2 - DCG1202103BAXGAB
- M3 - DCG1202103BAXXAA
- M4 - DCG1202103BAXXAB
- M5 - DCG1202103BHXAAA
- M6 - DCG1202103BHXAAAB
- M7 - DCG1202103BHXBAA
- M8 - DCG1202103BHXBAB
- M9 - DCG1202103BHXXAA
- M10 - DCG1202103BHXXAB
- M11 - DCG1202103BJXGAA
- M12 - DCG1202103BJXGAB
- M13 - DCG1202103BJXVAA
- M14 - DCG1202103BJXVAB
- M15 - DCG1202103BXSXAA
- M16 - DCG1202103BXSXAB
- M17 - DCG1202103BXXHAA
- M18 - DCG1202103BXXHAB
- M19 - DCG1202103BXXXAA
- M20 - DCG1202103BXXXAB
- M21 - DCG1202104BAXMAB
- M22 - DCG1202104BHXNAC
- M23 - DCG1202104BJXAAB
- M24 - DCG1202104BXXXAA
- M25 - DCG1202104BXXXAB
- M26 - DCG1202104BXXXAC
- M27 - DCG1202107BAXXAA
- M28 - DCG1202107BXSXAA
- M29 - DCG1202107BXXXAA
- M30 - DCG1202107BXXXAB

Condenser / Partition Assembly



Condenser / Partition Assembly

**Ref. Part
No: No:**

Description:

**Ref. Part
No: No:**

Description:

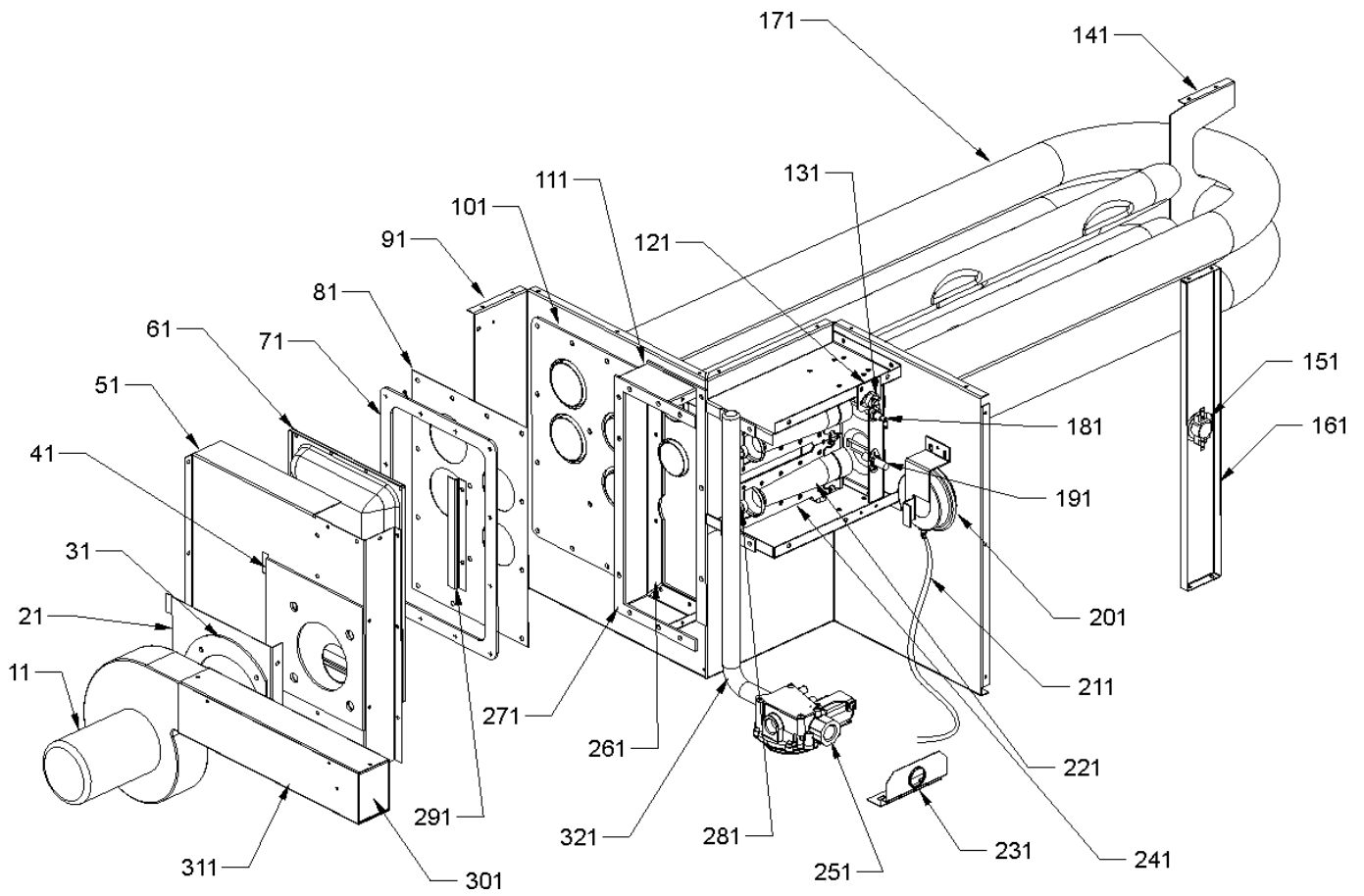
Image 1:

11	0201L00130	COND COIL ASSY, 5MM (M1, M3, M5, M7, M9, M11, M13, M15, M17, M19, M21, M23, M24, M25, M27, M28, M29)
11	0201L00200	COND COIL ASSY, 5MM C1 (M2, M4, M6, M8, M10, M12, M14, M16, M18, M20, M22, M26, M30)
171	0121L00168	BLOWER TRANSITION, RH END
191	0121L00092	BLOWER TRANSITION, FRONT
201	0121L01204	BLOWER DECK
211	0121L00169	BLOWER TRANSITION, LH END
221	0121L00094	BLOWER TRANSITION, BACK
241	ZP51K5ETF5130	COMPRESSOR 51000, 208/230/60/3 (M1, M2, M3, M4, M5, M6, M7, M8, M9, M10, M11, M12, M13, M14, M15, M16, M17, M18, M19, M20)
241	ZP51K5ETFD130	COMPRESSOR 51000, 460/60/3 (M21, M22, M23, M24, M25, M26)
241	ZP51K5ETFE130	COMPRESSOR 51000, 575/60/3 (M27, M28, M29, M30)
251	0159L00004	COMPRESSOR SCROLL HARNESS
261	M0221641	TF SHOULDER SCREW (QTY 8)
271	B1339533	COMPRESSOR GROMMET (QTY 8)
281	0121L00408	COMPRESSOR MOUNTING PLATE (QTY 2)
291	0159L00005	COMPRESSOR SCROLL HARNESS
301	0201L00136	COND COIL ASSY, 5MM C2 (M1, M3, M5, M7, M9, M11, M13, M15, M17, M19, M21, M23, M24, M25, M27, M28, M29)
301	0201L00201	COND COIL ASSY, 5MM C2 (M2, M4, M6, M8, M10, M12, M14, M16, M18, M20, M22, M26, M30)

Expanded Model Nomenclature

M1 - DCG1202103BAXAAA
M2 - DCG1202103BAXGAB
M3 - DCG1202103BAXXAA
M4 - DCG1202103BAXXAB
M5 - DCG1202103BHXAAA
M6 - DCG1202103BHXAAAB
M7 - DCG1202103BHXBAA
M8 - DCG1202103BHXBAB
M9 - DCG1202103BHXXAA
M10 - DCG1202103BHXXAB
M11 - DCG1202103BJXGAA
M12 - DCG1202103BJXGAB
M13 - DCG1202103BJXVAA
M14 - DCG1202103BJXVAB
M15 - DCG1202103BXSXAA
M16 - DCG1202103BXSXAB
M17 - DCG1202103BXXHAA
M18 - DCG1202103BXXHAB
M19 - DCG1202103BXXXAA
M20 - DCG1202103BXXXAB
M21 - DCG1202104BAXMAB
M22 - DCG1202104BHXXNAC
M23 - DCG1202104BJXAAB
M24 - DCG1202104BXXXAA
M25 - DCG1202104BXXXAB
M26 - DCG1202104BXXXAC
M27 - DCG1202107BAXXAA
M28 - DCG1202107BXSXAA
M29 - DCG1202107BXXXAA
M30 - DCG1202107BXXXAB

Heat Exchanger Assembly



Heat Exchanger Assembly

**Ref. Part
No: No:**

Description:

**Ref. Part
No: No:**

Description:

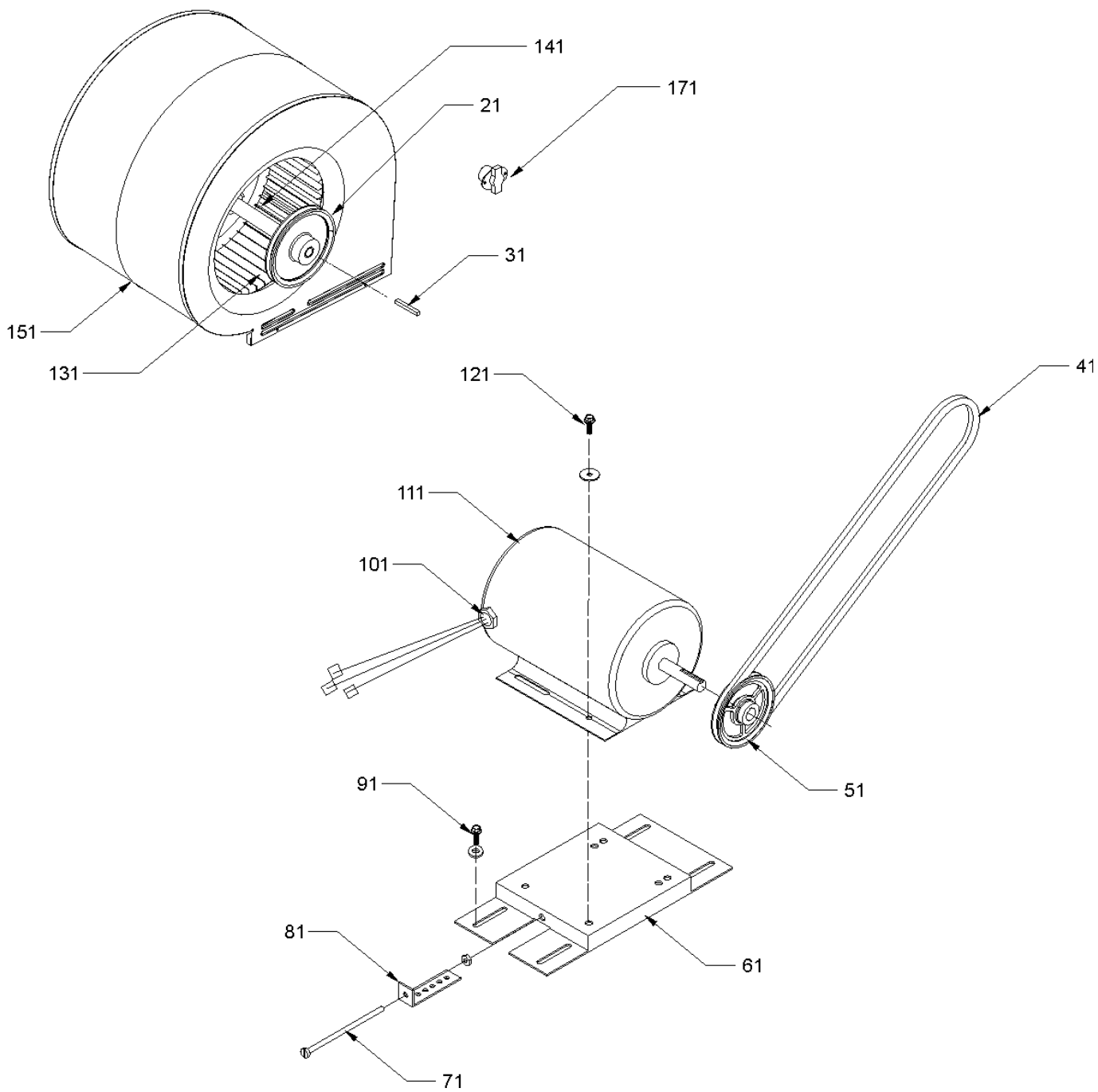
Image 1:

11	0131L00002	VENT MOTOR
21	0121L00080	MOUNTING PLATE-ID BLOWER
31	0154L00007	GASKET, BLOWER/ORIFICE PLATE
41	0154L00006	GASKET, COLLECTOR/ORIFICE PLATE
51	0121L00077	COLLECTOR BOX COVER
61	0121L00072	REAR COVER, HEAT EXCHANGER
71	0154L00010	REAR COVER GASKET, HEAT EXCHANGER
81	0121L00133	TUBE PLATE, HEAT EXCHANGER
91	0121L01196	PANEL-HT TUBES, 6 BURNER
101	0154L00015	TUBE PLATE GASKET, HEAT EXCHANGER
111	0121L00076	COLLECTOR BOX CHANNEL
121	0121L00323	FLAME ROLLOUT BRACKET
131	10123532	MANUAL RESET LIMIT 350°F
141	0121L01065	SUPPORT-HT TUBES 6
151	B1370199	PRIMARY LIMIT SWITCH 190°F
161	0121L00093	POST-LIMIT SWITCH
171	0270L00043	HEAT EXCHANGER ASSY 6B (M1, M2, M3, M4, M5, M6, M7, M8, M9, M10, M11, M12, M13, M14, M17, M18, M19, M20, M21, M22, M23, M24, M25, M26, M27, M29, M30)
171	0270L00171	HEAT EXCHANGER ASSY 6B (M15, M16, M28)
181	0130F00010	FLAME SENSOR
191	20261709	IGNITOR
201	11112501	PRESSURE SWITCH
211	A3468601	PRESSURE SWITCH HOSE
221	0163L00000	BECKETT BURNER (QTY 6)
231	0121L00147	PIPE BRACKET-GAS VALVE
241	0121G00268	BRACKET-BURNER TOP/BOT (QTY 2)
251	0151L00000	GAS VALVE (36H)
261	0154L00011	INNER GASKET, COLLECTOR BOX
271	0154L00012	OUTER GASKET, COLLECTOR BOX
281	0163L00007	ORIFICE #34 DRILL (QTY 6)
291	0121L00073	TUBE RESTRICTOR
301	0163L00006	FLUE SCREEN
311	0121L00049	HEAT EXCHANGER FLUE (QTY 2)
321	0163L00010	MANIFOLD - 6 BRNR
NS	0121L00130NG	FLUE COLLAR
NS	B1392609	SEAL STRIP, RED, 1/8 X 1/2 X 100 (QTY 3)

Expanded Model Nomenclature

M1 - DCG1202103BAXAAA
M2 - DCG1202103BAXGAB
M3 - DCG1202103BAXXAA
M4 - DCG1202103BAXXAB
M5 - DCG1202103BHXAAA
M6 - DCG1202103BHXAAAB
M7 - DCG1202103BHXBAA
M8 - DCG1202103BHXBAB
M9 - DCG1202103BHXXAA
M10 - DCG1202103BHXXAB
M11 - DCG1202103BJXGAA
M12 - DCG1202103BJXGAB
M13 - DCG1202103BJXVAA
M14 - DCG1202103BJXVAB
M15 - DCG1202103BXSXAA
M16 - DCG1202103BXSXAB
M17 - DCG1202103BXXHAA
M18 - DCG1202103BXXHAB
M19 - DCG1202103BXXXAA
M20 - DCG1202103BXXXAB
M21 - DCG1202104BAXMAB
M22 - DCG1202104BHXNAC
M23 - DCG1202104BJXAAB
M24 - DCG1202104BXXXAA
M25 - DCG1202104BXXXAB
M26 - DCG1202104BXXXAC
M27 - DCG1202107BAXXAA
M28 - DCG1202107BXSXAA
M29 - DCG1202107BXXXAA
M30 - DCG1202107BXXXAB

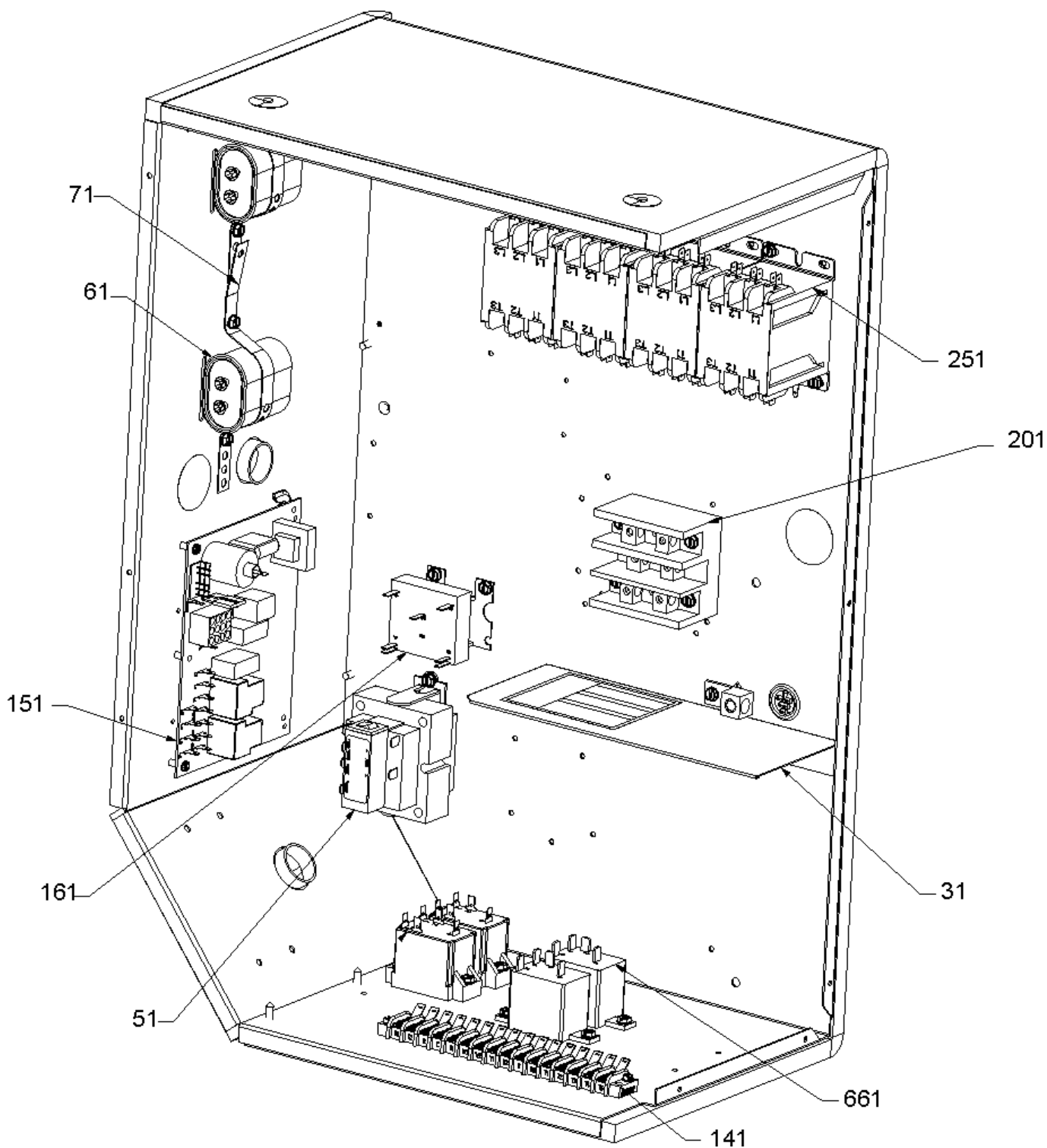
Belt Drive Blower / Motor Assembly



Belt Drive Blower / Motor Assembly

Ref. Part No:	Description:	Ref. Part No:	Description:
Image 1:		Expanded Model Nomenclature	
21	0163L00011	FIXED SHEAVE AK74	M1 - DCG1202103BAXAAA
31	B1398604	STEEL KEY (000158812) 2.0"	M2 - DCG1202103BAXGAB
41	0164L00000	NOTCHED FAN BELT AX51	M3 - DCG1202103BAXXAA
51	0163L00012	VARIABLE PITCH SHEAVE VL40	M4 - DCG1202103BAXXAB
61	0270L00015	MOTOR BASE ASSY	M5 - DCG1202103BHXAAA
71	0163M00045	BOLT 1/4-20 X 4"	M6 - DCG1202103BHXAAAB
81	3225000F	BELT TIGHTENER ANGLE	M7 - DCG1202103BHXBAA
91	B1446707	SCREW 5/16-18 X 1" (QTY 4)	M8 - DCG1202103BHXBAB
101	B1393726	ELECT. CONNECTING BUSHING	M9 - DCG1202103BHXXAA
111	B3240006	BELT DRIVE MOTOR 2 HP (M1, M2, M3, M4, M5, M6, M7, M8, M9, M10, M11, M12, M13, M14, M15, M16, M17, M18, M19, M20, M21, M22, M23, M24, M25, M26)	M10 - DCG1202103BHXXAB
111	0131L00005	BELT DRIVE MOTOR 2 HP 575 V (M27, M28, M29, M30)	M11 - DCG1202103BJXGAA
121	B1393738	BOLT 1/4-20 X 3/4" (QTY 3)	M12 - DCG1202103BJXGAB
131	03-78497	BLOWER WHEEL	M13 - DCG1202103BJXVAA
141	04-11526	BLOWER SHAFT	M14 - DCG1202103BJXVAB
151	04-01526	BLOWER HOUSING	M15 - DCG1202103BXSXAA
171	20162904	PRIMARY LIMIT-TEMPERATURE CONTROL	M16 - DCG1202103BXSXAB
NS	04-02196	BLOWER BEARING & FRAME ASSY	M17 - DCG1202103BXXHAA
NS	0259L00008	MOTOR HARNESS-BELT DRIVE	M18 - DCG1202103BXXHAB
			M19 - DCG1202103BXXXAA
			M20 - DCG1202103BXXXAB
			M21 - DCG1202104BAXMAB
			M22 - DCG1202104BHXXNAC
			M23 - DCG1202104BJXAAB
			M24 - DCG1202104BXXXAA
			M25 - DCG1202104BXXXAB
			M26 - DCG1202104BXXXAC
			M27 - DCG1202107BAXXAA
			M28 - DCG1202107BXSXAA
			M29 - DCG1202107BXXXAA
			M30 - DCG1202107BXXXAB

Control Box Assembly



Control Box Assembly

Ref. Part No:	Description:	Ref. Part No:	Description:
<i>Image 1:</i>		Expanded Model Nomenclature	
31	0121G00491 VOLTAGE BARRIER	M1	- DCG1202103BAXAAA
51	0130M00144 TRANSFORMER (M1, M2, M3, M4, M5, M6, M7, M8, M9, M10, M11, M12, M13, M14, M15, M16, M17, M18, M19, M20)	M2	- DCG1202103BAXGAB
51	0130M00145 TRANSFORMER 480V to 24V, 75VA (M21, M22, M23, M24, M25, M26)	M3	- DCG1202103BAXXAA
51	0130M00148 TRANSFORMER 575V to 24V, 75VA (M27, M28, M29, M30)	M4	- DCG1202103BAXXAB
61	CAP100000370LA CAPACITOR 10/370V (M1, M2, M3, M4, M5, M6, M7, M8, M9, M10, M11, M12, M13, M14, M15, M16, M17, M18, M19, M20, M21, M22, M23, M25, M26)	M5	- DCG1202103BHXAAA
61	CAP050000370LA CAPACITOR 5/370V (M24, M27, M28, M29)	M6	- DCG1202103BHXAAAB
61	CAP050000440LA CAPACITOR 5/440V (M30)	M7	- DCG1202103BHXBAA
71	20520901 CAPACITOR STRAP (QTY 2)	M8	- DCG1202103BHXBAB
141	0130M00038 TERMINAL BOARD	M9	- DCG1202103BHXXAA
151	PCBAG123 IGNITION BOARD, DSI INTEGRATED	M10	- DCG1202103BHXXAB
161	0130M00025 24V RELAY	M11	- DCG1202103BJXGAA
201	16330-3 POWER BLOCK	M12	- DCG1202103BJXGAB
251	CONT3P025024V CONTACTOR 25 AMP, 3P, 24V (QTY 3)	M13	- DCG1202103BJXVAA
661	0130M00242 24V RELAY (QTY 2)	M14	- DCG1202103BJXVAB
NS	0130M00146 TRANSFORMER 480V TO 230V, 150VA (M21, M22, M23, M24, M25, M26)	M15	- DCG1202103BXSXAA
NS	0130M00147 TRANSFORMER 575V TO 230V, 150VA (M27, M28, M29, M30)	M16	- DCG1202103BXSXAB
		M17	- DCG1202103BXXHAA
		M18	- DCG1202103BXXHAB
		M19	- DCG1202103BXXXAA
		M20	- DCG1202103BXXXAB
		M21	- DCG1202104BAXMAB
		M22	- DCG1202104BHXXNAC
		M23	- DCG1202104BJXAAB
		M24	- DCG1202104BXXXAA
		M25	- DCG1202104BXXXAB
		M26	- DCG1202104BXXXAC
		M27	- DCG1202107BAXXAA
		M28	- DCG1202107BXSXAA
		M29	- DCG1202107BXXXAA
		M30	- DCG1202107BXXXAB

ACCESSORY PARTS LIST

Accessory Parts List

Ref. Part No:	Description:	Ref. Part No:	Description:
Image 1:		Expanded Model Nomenclature	
NS 0121L00316	BRACKET-CONV OUTLET MOUNT (M1, M2, M5, M6, M11, M12, M17, M18, M23)	M1 - DCG1202103BAXAAA	
NS 0121L00768	BRACKET-SMOKE DETECTOR (M17, M18)	M2 - DCG1202103BAXGAB	
NS 0130M00065	CIRCUIT BREAKER, CONVENIENCE OUTLET (M7, M8, M21, M22)	M3 - DCG1202103BAXXAA	
NS 0121L00973NG	DISCONNECT SWITCH COVER (M5, M6, M7, M8, M9, M10, M11, M12, M13, M14, M22, M23)	M4 - DCG1202103BAXXAB	
NS 0130L00012	GANG BOX-GFCI OUTLET (M1, M2, M5, M6, M7, M8, M11, M12, M17, M18, M21, M22, M23)	M5 - DCG1202103BHXAAA	
NS 0130L00039	HANDLE, ROTARY (M5, M6, M7, M8, M9, M10, M11, M12, M13, M14, M22, M23)	M6 - DCG1202103BHXAAAB	
NS LAKT03	LOW AMBIENT KIT (M21)	M7 - DCG1202103BHXBAA	
NS 0161G00012	POWER OUTLET BOX (M1, M2, M5, M6, M7, M8, M11, M12, M17, M18, M21, M22, M23)	M8 - DCG1202103BHXBAB	
NS 0130L00103	RECEPTACLE-GFCI OUTLET (M1, M2, M5, M6, M7, M8, M11, M12, M17, M18, M21, M22, M23)	M9 - DCG1202103BHXXAA	
NS 0130L00056	SHAFT, CUT (M7, M8)	M10 - DCG1202103BHXXAB	
NS 0130L00057	SHAFT, CUT (M5, M6, M9, M10, M11, M12, M13, M14, M22, M23)	M11 - DCG1202103BJXGAA	
NS 0121L00321	SMOKE DETECTOR COVER (M17, M18)	M12 - DCG1202103BJXGAB	
NS D4120	SMOKE DETECTOR, PHOTO 4WIRE (M17, M18)	M13 - DCG1202103BJXVAA	
NS 0130L00027	SWITCH-DISCONNECT 100A (M7, M8)	M14 - DCG1202103BJXVAB	
NS 0130L00046	SWITCH-DISCONNECT 60A (M5, M6, M9, M10, M11, M12, M13, M14, M22, M23)	M15 - DCG1202103BXSXAA	
NS 0130M00061	TRANSFORMER, CONVENIENCE OUTLET (M7, M8, M21, M22)	M16 - DCG1202103BXSXAB	
		M17 - DCG1202103BXXHAA	
		M18 - DCG1202103BXXHAB	
		M19 - DCG1202103BXXXAA	
		M20 - DCG1202103BXXXAB	
		M21 - DCG1202104BAXMAB	
		M22 - DCG1202104BHXNAC	
		M23 - DCG1202104BJXAAB	
		M24 - DCG1202104BXXXAA	
		M25 - DCG1202104BXXXAB	
		M26 - DCG1202104BXXXAC	
		M27 - DCG1202107BAXXAA	
		M28 - DCG1202107BXSXAA	
		M29 - DCG1202107BXXXAA	
		M30 - DCG1202107BXXXAB	