

Commercial 8.5 Ton Package Gas Unit

DCG1022103BXXXAC



This manual is to be used by qualified technicians only.

© 2018 **DAIKIN COMPANY, L.P.** ♦ 5151 San Felipe St., Suite 500 ♦ Houston, TX 77056

Important Information

Index

Functional Parts List	3
Illustration and Parts	4 - 15

Views shown are for parts illustrations only, not servicing procedures

Text Codes:

AR - As Required

NA - Not Available

NS - Not Shown

00000000 - See Note

QTY - Quantity Example (QTY 3) (If Quantity not shown, Quantity = 1)

M - Model Example (M1) (If M Code not shown, then part is used on all Models)

Expanded Model Nomenclature:

Example M1 - Model#1 M2 - Model#2 M3 - Model#3

Daikin Company, L.P. is not responsible for personal injury or property damage resulting from improper service. Review all service information before beginning repairs.

Warranty service must be performed by an authorized technician, using authorized factory parts. If service is required after the warranty expires, Daikin Company, L.P. also recommends contacting an authorized technician and using authorized factory parts.

Daikin Company, L.P. reserves the right to discontinue, or change at any time, specifications or designs without notice or without incurring obligations.

For assistance within the U.S.A. contact:

Equipment Support
Daikin North America, LLC
19001 Kermier Road
Waller, Texas 77484
855-770-5678-Telephone
713-863-2382-Facsimile

For assistance outside the U.S.A. contact:

International Division
Daikin North America, LLC
19001 Kermier Road
Waller, Texas 77484
713-861-2500-Telephone
713-863-2382-Facsimile

Functional Parts

Part

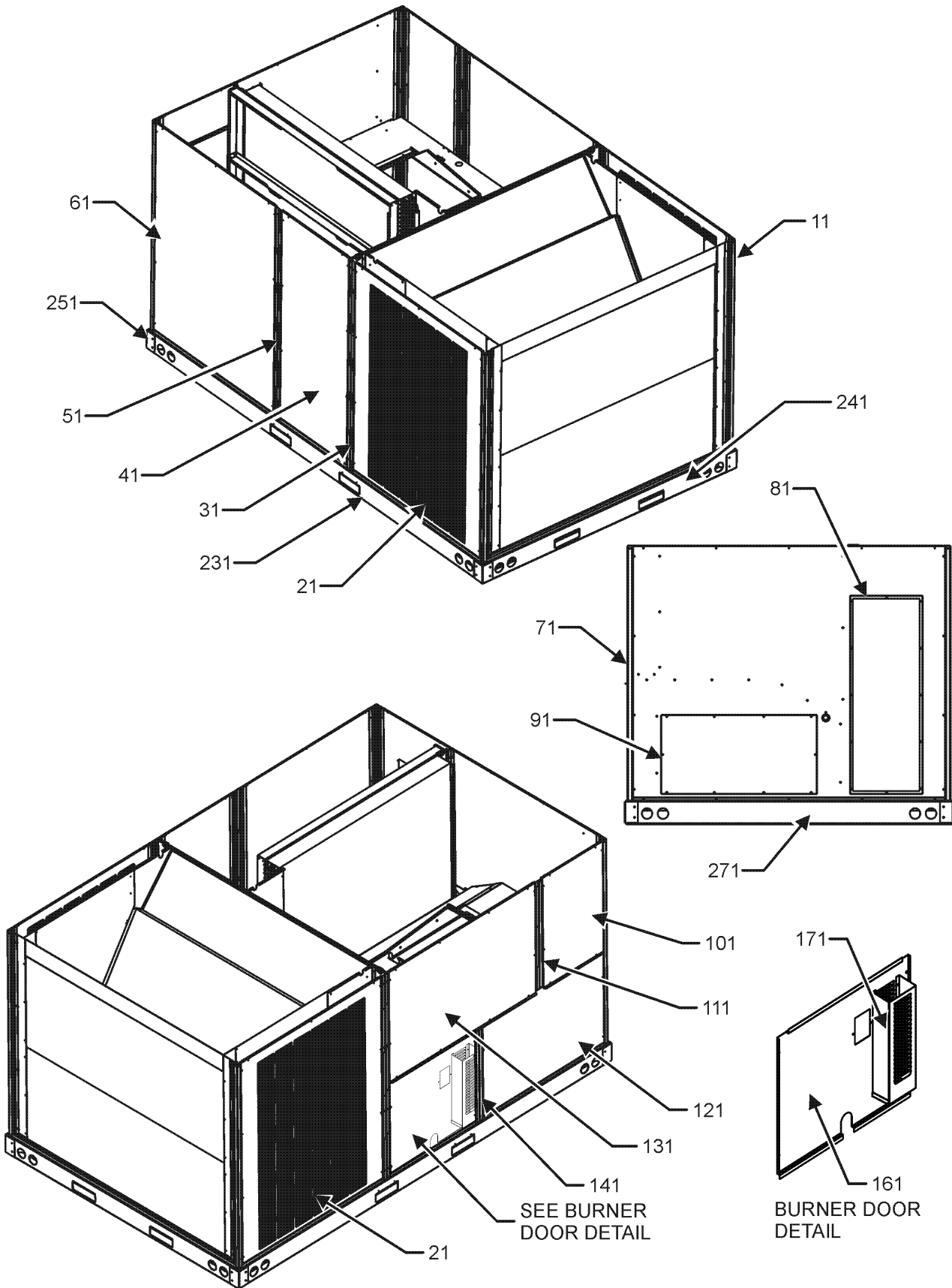
No: Description:

0130M00025	24V RELAY
B3240006	BELT DRIVE MOTOR 2 HP
CAP050000370LA	CAPACITOR 5/370V (QTY 2)
ZP44K5ETF5130	COMPRESSOR 44000, 200/230/60/3 (QTY 2)
CONT3P025024V	CONTACTOR 25 AMP, 3P, 24V (QTY 3)
0130M00031	CUT-OUT SWITCH, HIGH PRESSURE
0130M00030	CUT-OUT SWITCH, HIGH PRESSURE
0130L00003	CUT-OUT SWITCH, LOW PRESSURE
0130L00002	CUT-OUT SWITCH, LOW PRESSURE
0150G00001	FAN BLADE (QTY 2)
0130F00010	FLAME SENSOR
0151L00000	GAS VALVE (36H)
PCBAG123	IGNITION BOARD, DSI INTEGRATED
20261709	IGNITOR
10123532	MANUAL RESET LIMIT 350°F
0131M00847	MOTOR, 1/4 HP, 1 SP, 6 PL (QTY 2)
0164L00000	NOTCHED FAN BELT AX51
16330-3	POWER BLOCK
11112501	PRESSURE SWITCH
0130F00036	PRIMARY LIMIT - PINK
B1370199	PRIMARY LIMIT SWITCH 190°F
0130M00242	RELAY, 24V (QTY 2)
0130M00038	TERMINAL BOARD
0130M00144	TRANSFORMER
0131L00002	VENT MOTOR

Expanded Model Nomenclature

M1 - DCG1022103BXXXAC

Cabinet Assembly



Cabinet Assembly

Ref. Part No: No:	Description:	Ref. Part No: No:	Description:
-------------------	--------------	-------------------	--------------

Image 1:

11	0121L00065RFNG	CORNER POST (QTY 4)
21	0121L00511NG	LOUVERED SIDE PANEL (QTY 2)
31	0121L00738RFNG	ROLL FORM SIDE POST (QTY 2)
41	0121L00737NG	FILTER DOOR
51	0121L00739RFNG	FILTER DOOR POST
61	0121L00510NG	ECONOMIZER DOOR
71	0121L01364NG	DUCT PANEL
81	0121L00082NG	RETURN DUCT COVER
91	0121L00099NG	SUPPLY DUCT COVER
101	0121L00974NG	CONTROL DOOR
111	0121L02303RFNG	RF, PAINTED CONTROL POST
121	0121L00767NG	ELECTRIC HEAT DOOR
131	0121L00763NG	BLOWER DOOR
141	0121L00765RFNG	BURNER BOX POST
161	0121L00766NG	BURNER DOOR
171	0121L00129	DOOR RAIN SHIELD
231	0121L01099RF	RAIL, BASE SIDES (QTY 2)
241	0121L00834RF	RAIL, BASE ENDS
251	0121G00301	RAIL CORNER BRACKET (QTY 4)
271	0121L00071RF	RAIL, BASE DUCT END
NS	0164L00009	GASKET-RUBBER, CPOST (QTY 3)
NS	0164L00011	GASKET-RUBBER, SIDE POST (QTY 5)

Expanded Model Nomenclature

M1 - DCG1022103BXXXAC

Top Panel and Tubing Assembly

IMAGE 1

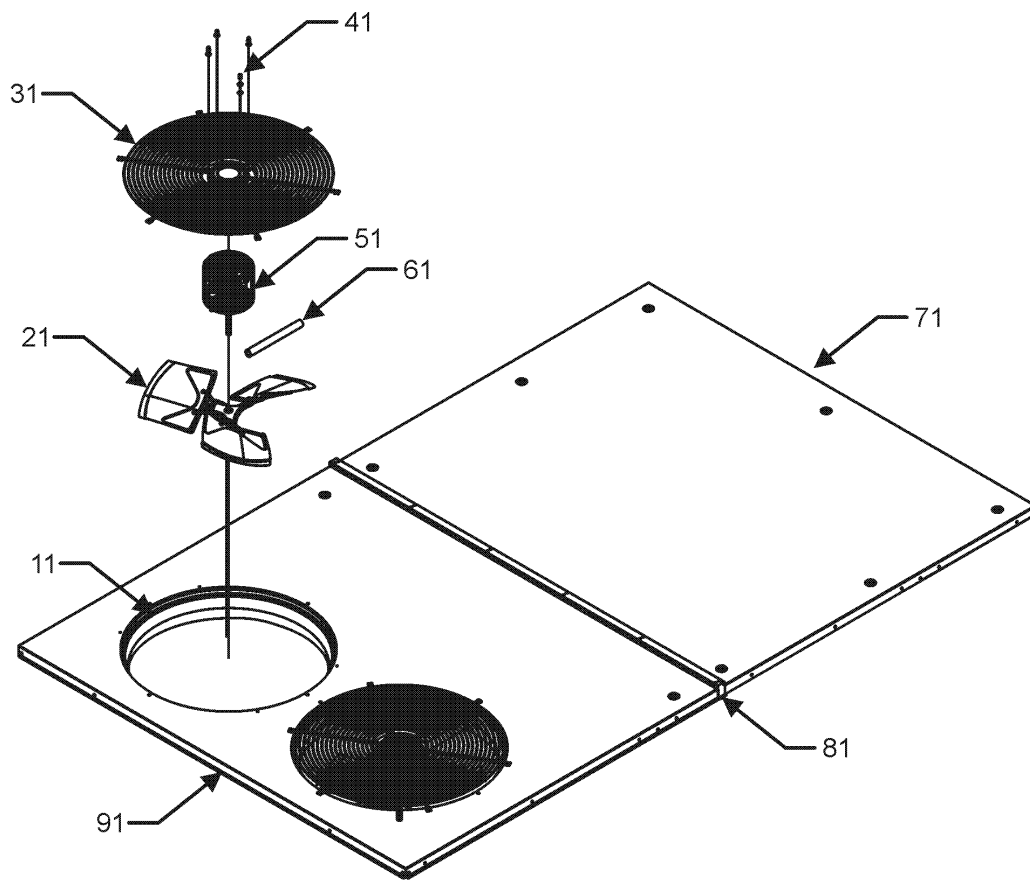
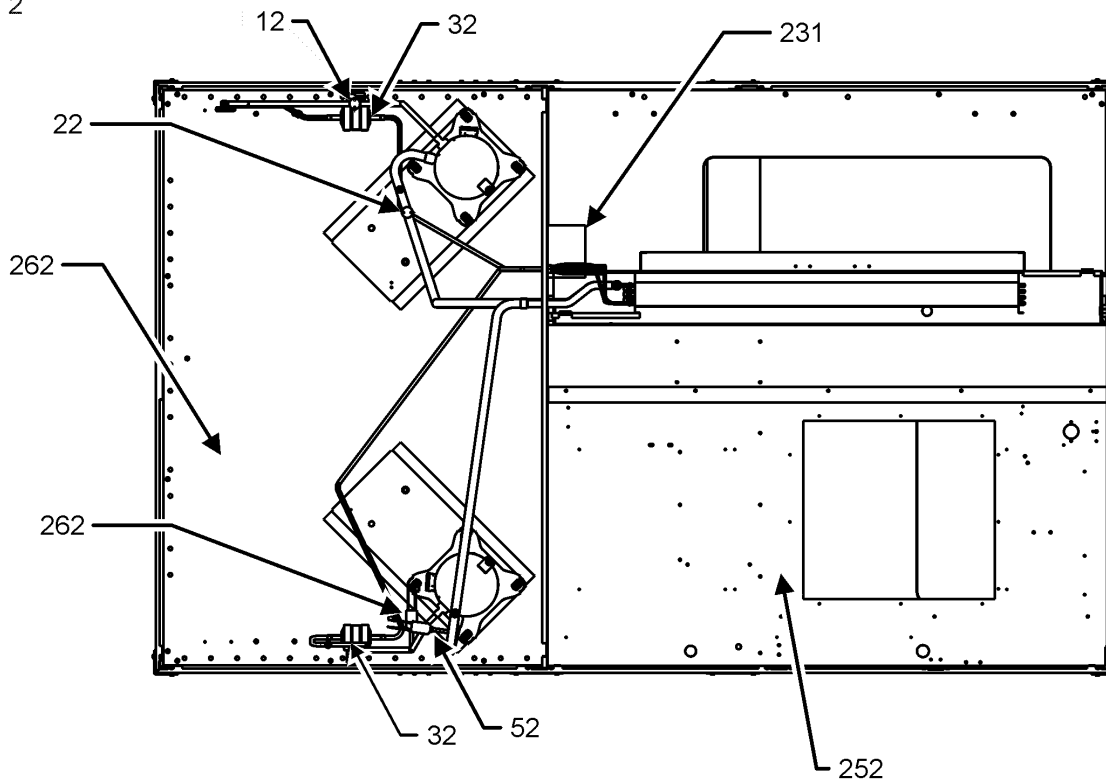


IMAGE 2



Top Panel and Tubing Assembly

Ref. Part No: No:	Description:	Ref. Part No: No:	Description:
-------------------	--------------	-------------------	--------------

Image 1:

11	0161L00000	VENTURI RING 22" (QTY 2)
21	0150G00001	FAN BLADE (QTY 2)
31	0152G00000	FAN GRILLE, RAISED (QTY 2)
41	0163M00006P	ACORN NUT 5/16 HEX BLACK (QTY 8)
51	0131M00847	MOTOR, 1/4 HP, 1 SP, 6 PL (QTY 2)
61	0163M00386	CONDUIT-FLEXIBLE (QTY 2)
71	0121L00497NG	TOP INDOOR
81	20455902	SPLICE GASKET .50 X .25 (QTY 5)
91	0121L01105NG	TOP OUTDOOR
NS	0259L00511	HARNESS COND MOTOR
NS	0259L00512	HARNESS COND MOTOR

Image 2:

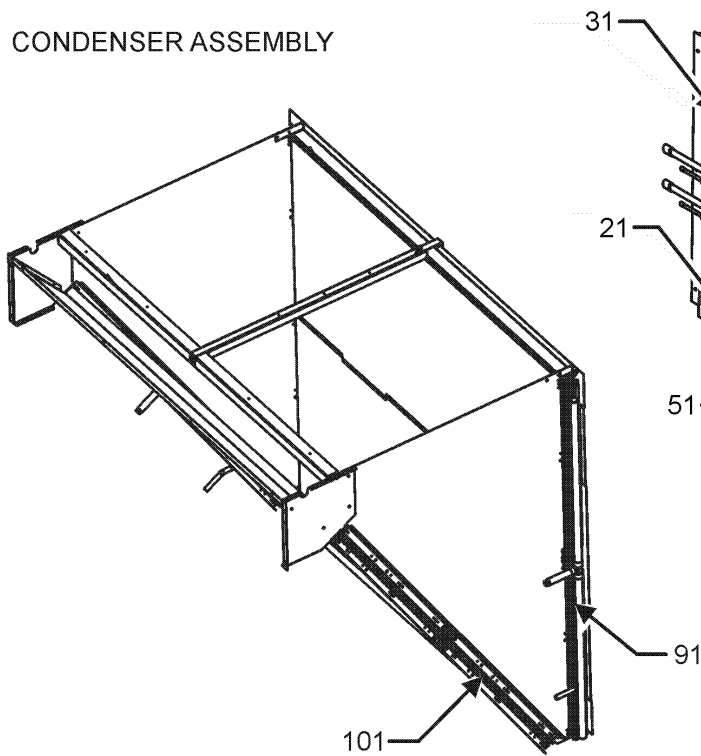
12	0130M00031	CUT-OUT SWITCH, HIGH PRESSURE
22	0130L00003	CUT-OUT SWITCH, LOW PRESSURE
32	B1219204	BI-FLOW FILTER DRIER
52	0130L00002	CUT-OUT SWITCH, LOW PRESSURE
62	0130M00030	CUT-OUT SWITCH, HIGH PRESSURE
232	0121L00359	SHIELD-EVAPORATOR DRIP
252	0121L00944	BASE PAN - INDOOR
262	0121L02129	BASE PAN - OUTDOOR
NS	B1373315	ACCESS FITTING (QTY 4)
NS	0163M00175	CAP WITH O-RING (QTY 4)

Expanded Model Nomenclature

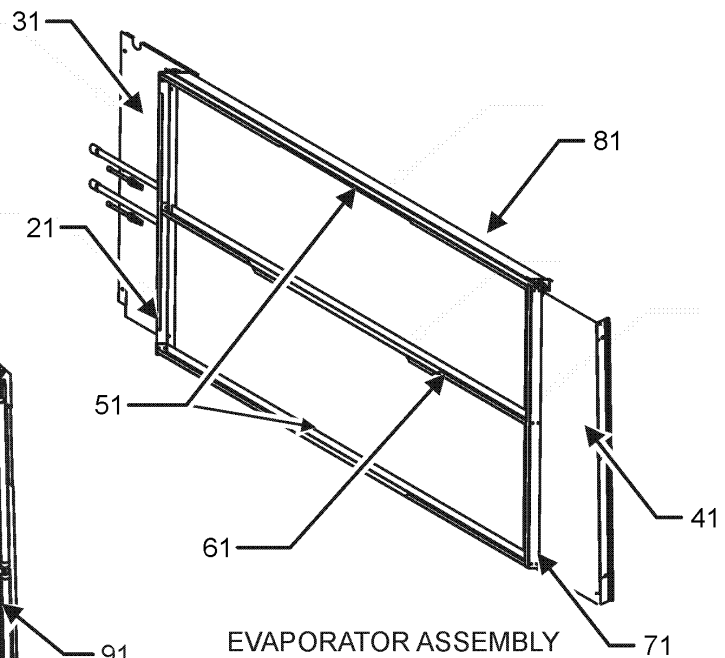
M1 - DCG1022103BXXXAC

Evaporator, Condenser and Partition Assy

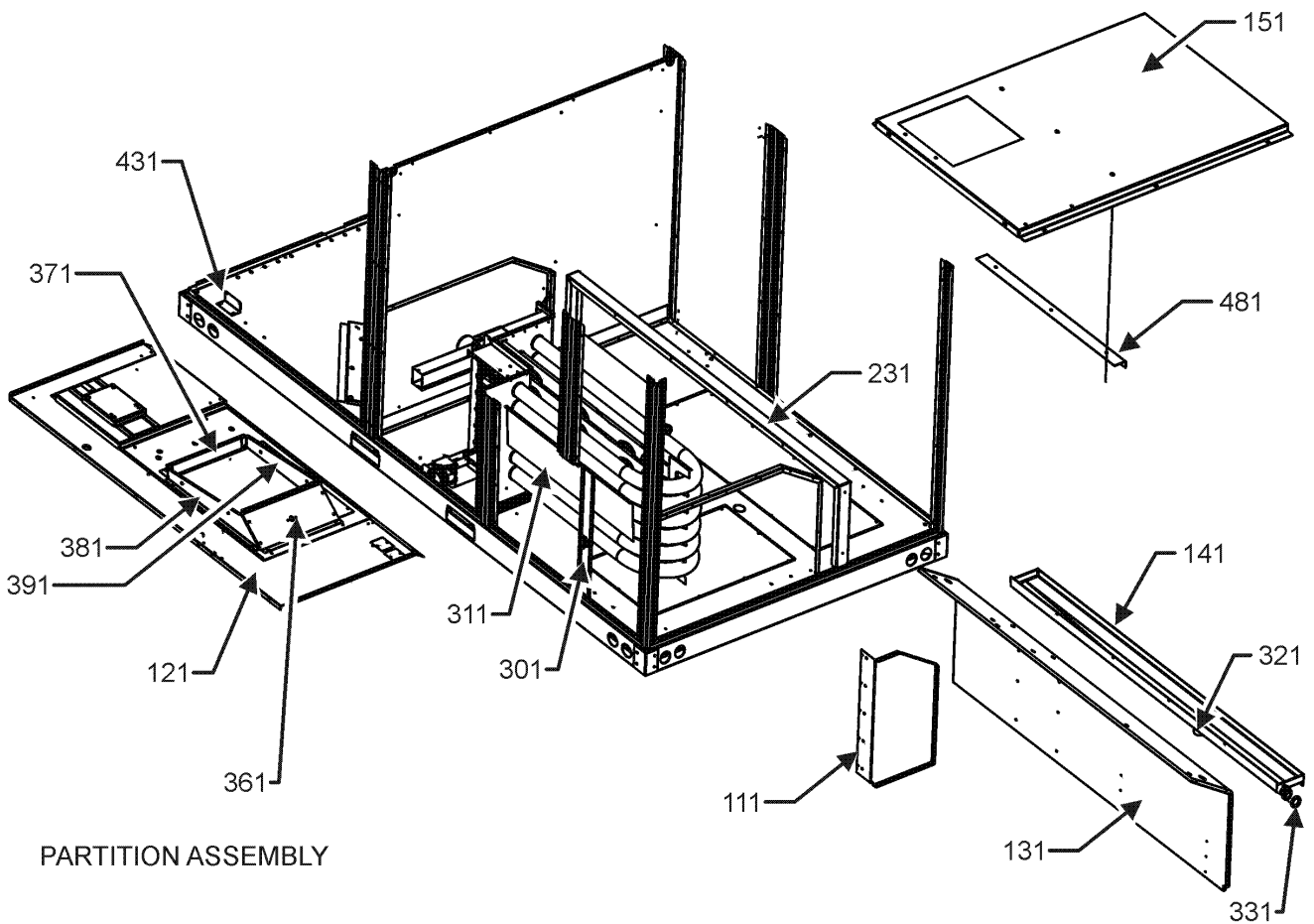
CONDENSER ASSEMBLY



EVAPORATOR ASSEMBLY



PARTITION ASSEMBLY



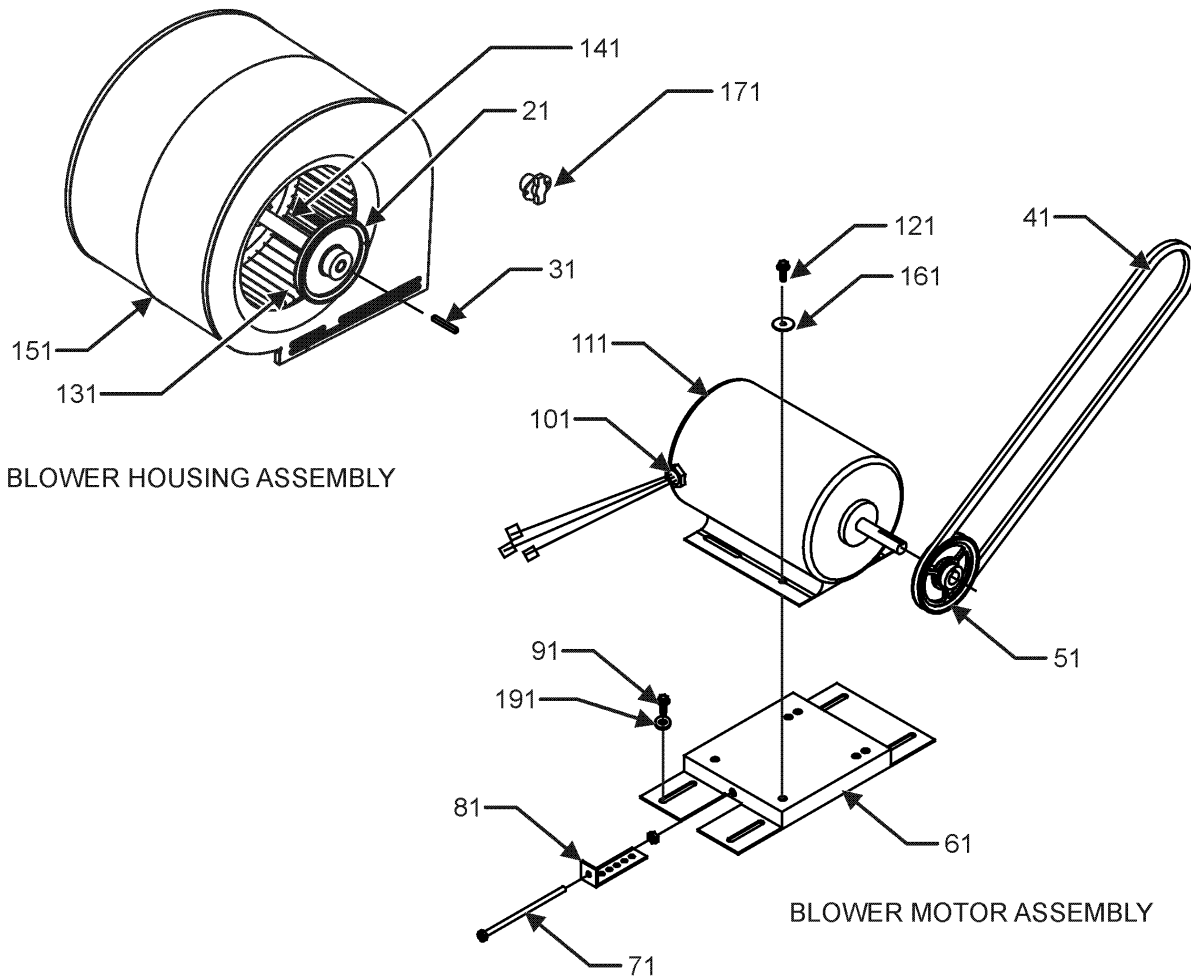
Evaporator, Condenser and Partition Assy

Ref. Part No: No:	Description:	Ref. Part No: No:	Description:
<i>Image 1:</i>			
21	0121L00357		FILTER ANGLE-VERTICAL (RETURN SIDE)
31	0121L00210		EVAP EXTENSION-RETURN SIDE
41	0121L00844		EVAP EXTENSION-HAIRPIN SIDE
51	0121L00932		FILTER ANGLE-HORIZONTAL (QTY 2)
61	0121L01255		ANGLE-FILTER CENTER
71	0121L00358		FILTER ANGLE-VERTICAL (HAIRPIN SIDE)
81	0202L00112		TUBING ASSY, EVAP COIL
91	0201L00209		COND COIL ASSY, 5MM
101	0201L00210		COND COIL ASSY, 5MM
111	0121L00522		HEAT EXCHANGER BLOCK-OFF
121	0121L02500		DECK-BLOWER
131	0121L00374		DECK SIDE CHANNEL
141	0161L00002		DRAIN PAN
151	0121L00366		BASE-HEAT EXCHANGER
231	0121L00508		DRAIN PAN SUPPORT
301	0121L00093		POST-LIMIT SWITCH
311	0121L00136		BAFFLE-BLOWER
321	0163L00071		DRAIN PAN PLUG
331	0154L00009		DRAIN PAN GASKET
361	0121L00090		BLOWER TRANSITION, RH END
371	0121L00097		BLOWER TRANSITION, LH END
381	0121L00092		BLOWER TRANSITION, FRONT
391	0121L00145		BLOWER TRANSITION, BACK
431	0121L00513		BRACE-CONDENSER (QTY 2)
481	0121L00143		ANGLE-HT BASE BRACE
NS	0160L00174		AIR FILTER 16 X 20 X 2 (QTY 4)
NS	0121L00321		SMOKE DETECTOR COVER (QTY 2)

Expanded Model Nomenclature

M1 - DCG1022103BXXXAC

Blower and Compressor Assembly

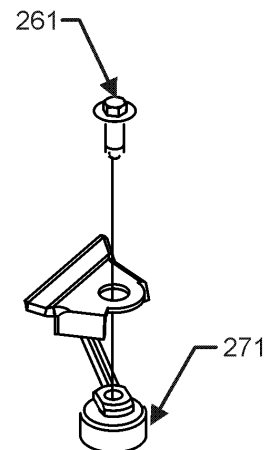
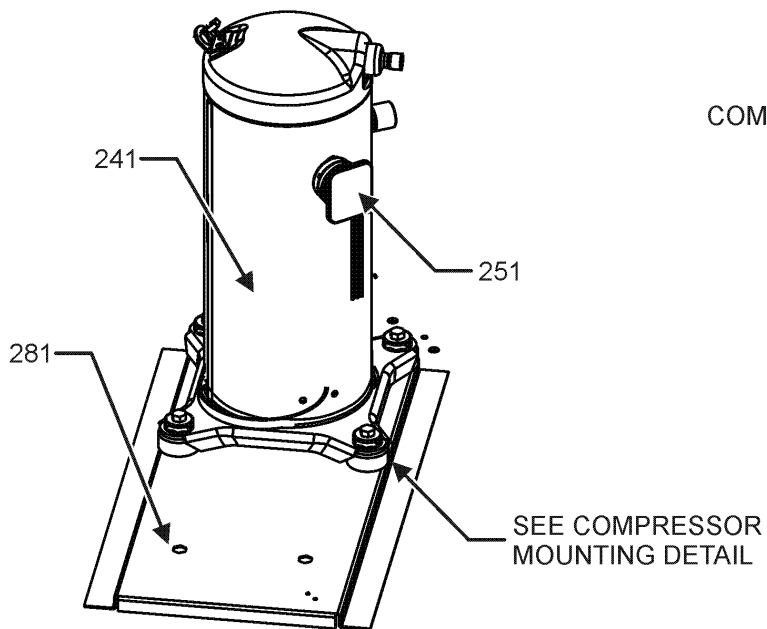


BLOWER HOUSING ASSEMBLY

BLOWER MOTOR ASSEMBLY

COMPRESSOR ASSEMBLY

COMPRESSOR MOUNTING DETAIL



Blower and Compressor Assembly

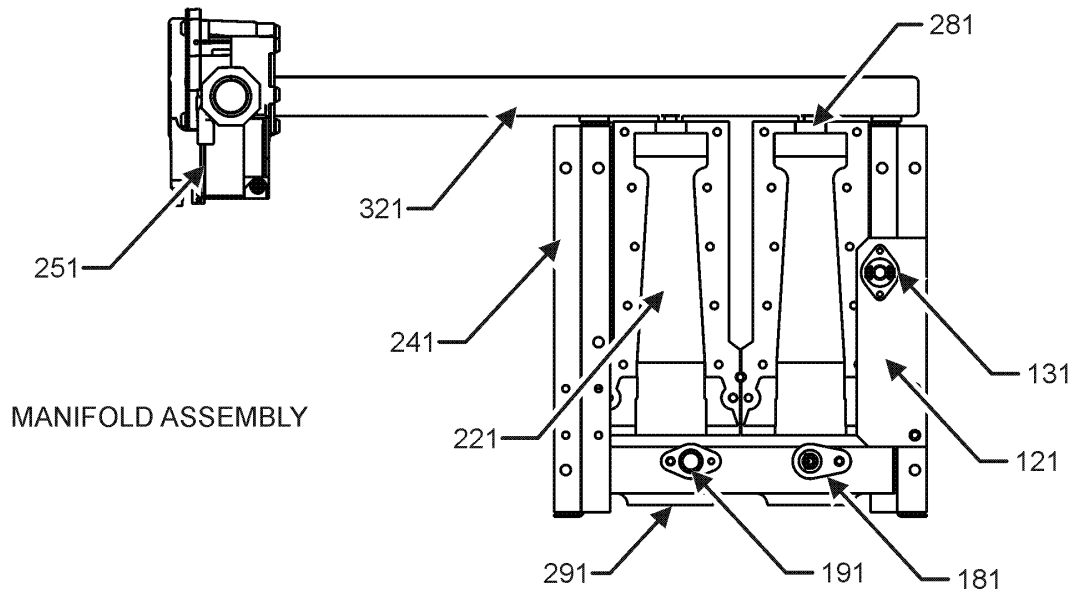
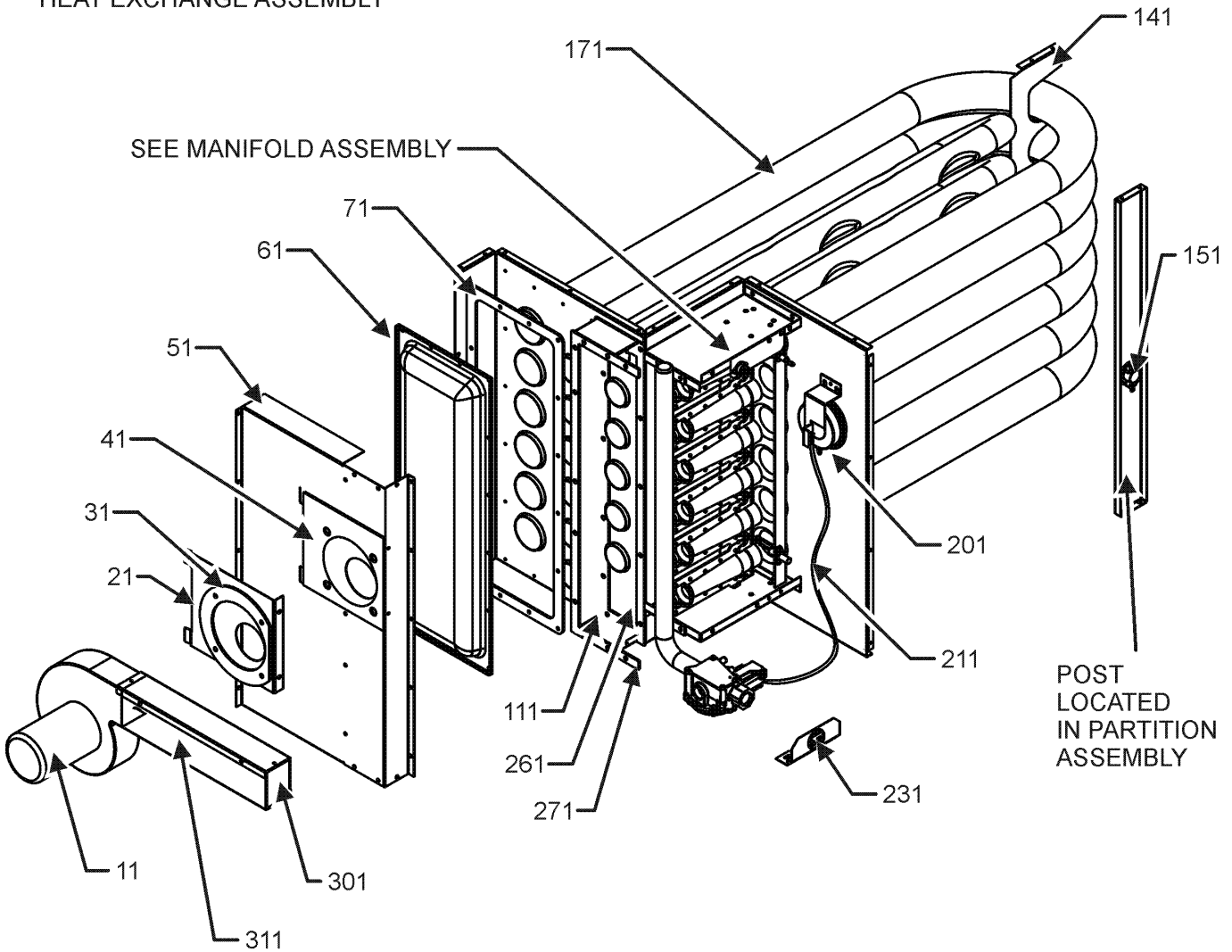
Ref. Part No:	No:	Description:	Ref. Part No:	No:	Description:
<i>Image 1:</i>					
21	0163L00134	SHEAVE, FIXED AK74H			
31	B1398604	STEEL KEY (000158812) 2.0"			
41	0164L00000	NOTCHED FAN BELT AX51			
51	0163L00012	VARIABLE PITCH SHEAVE VL40			
61	0121L01504	BASE-MOTOR			
71	0163M00045	BOLT 1/4-20 X 4"			
81	3225000F	BELT TIGHTENER ANGLE			
91	B1446707	SCREW 5/16-18 X 1" (QTY 4)			
101	B1393726	ELECT. CONNECTING BUSHING			
111	B3240006	BELT DRIVE MOTOR 2 HP			
121	B1393738	BOLT 1/4-20 X 3/4" (QTY 4)			
131	03-77429	BLOWER WHEEL			
141	04-11525	BLOWER SHAFT			
151	04-01525	BLOWER HOUSING			
161	B1392923	WASHER/FLAT (QTY 4)			
171	0130F00036	PRIMARY LIMIT - PINK			
191	B1392918	WASHER, FLAT 1/4 ID X 1 OD (QTY 4)			
241	ZP44K5ETF5130	COMPRESSOR 44000, 200/230/60/3 (QTY 2)			
251	0159L00066	COMPRESSOR SCROLL HARNESS			
251	0159L00067	COMPRESSOR SCROLL HARNESS			
261	M0221641	TF SHOULDER SCREW (QTY 8)			
271	B1339533	COMPRESSOR GROMMET (QTY 8)			
281	0121L02128	COMPRESSOR MOUNTING PLATE (QTY 2)			
NS	04-02196	BLOWER BEARING & FRAME ASSY			
NS	0259L00008	MOTOR HARNESS-BELT DRIVE			

Expanded Model Nomenclature

M1 - DCG1022103BXXXAC

Heat Exchanger Assembly

HEAT EXCHANGE ASSEMBLY



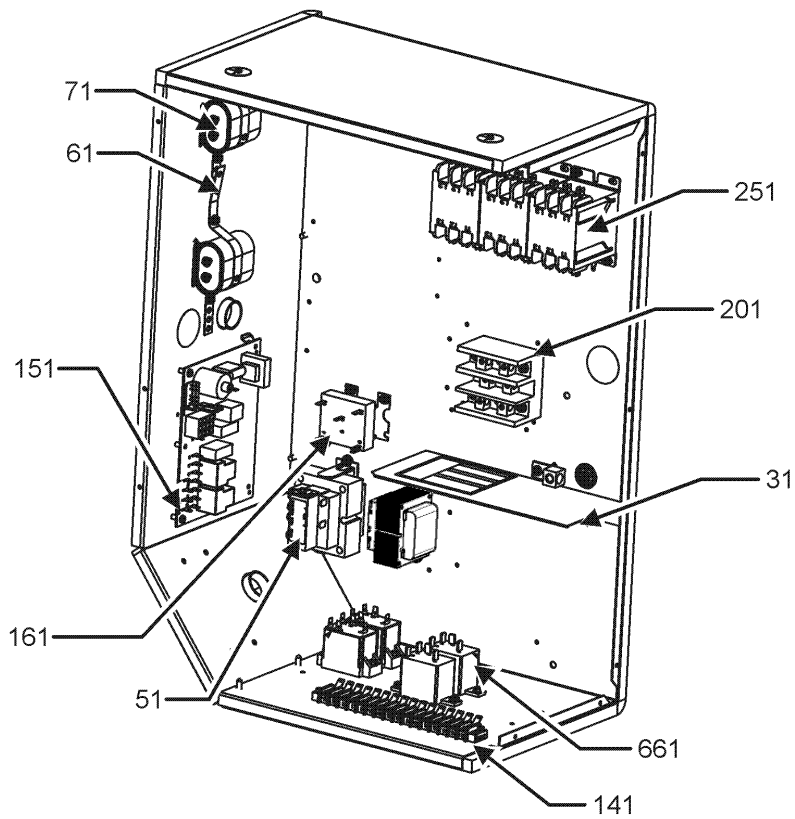
Heat Exchanger Assembly

Ref. Part No:	No:	Description:	Ref. Part No:	No:	Description:
<i>Image 1:</i>					
11	0131L00002	VENT MOTOR			
21	0121L00080	MOUNTING PLATE-ID BLOWER			
31	0154L00007	GASKET, BLOWER/ORIFICE PLATE			
41	0154L00006	GASKET, COLLECTOR/ORIFICE PLATE			
51	0121L00077	COLLECTOR BOX COVER			
61	0121L00072	REAR COVER, HEAT EXCHANGER			
71	0154L00010	REAR COVER GASKET, HEAT EXCHANGER			
111	0121L00076	COLLECTOR BOX CHANNEL			
121	0121L00323	FLAME ROLLOUT BRACKET			
131	10123532	MANUAL RESET LIMIT 350°F			
141	0121L01436	SUPPORT BRACKET			
151	B1370199	PRIMARY LIMIT SWITCH 190°F			
171	0270L00752	PART TUBE ASSY 6B			
181	0130F00010	FLAME SENSOR			
191	20261709	IGNITOR			
201	11112501	PRESSURE SWITCH			
211	A3468601	PRESSURE SWITCH HOSE			
221	0163L00000	BECKETT BURNER (QTY 6)			
231	0121L00147	PIPE BRACKET-GAS VALVE			
241	0121G00268	BRACKET-BURNER TOP/BOT (QTY 2)			
251	0151L00000	GAS VALVE (36H)			
261	0154L00011	INNER GASKET, COLLECTOR BOX			
271	0154L00012	OUTER GASKET, COLLECTOR BOX			
281	0163L00007	ORIFICE #34 DRILL (QTY 6)			
291	0121L00075	BURNER BRACKET 6B			
301	0163L00006	FLUE SCREEN			
311	0121L00049	HEAT EXCHANGER FLUE (QTY 2)			
321	0163L00010	MANIFOLD - 6 BRNR			
NS	0121L00130NG	FLUE COLLAR			
NS	B1392609	SEAL STRIP, RED, 1/8 X 1/2 X 100 (QTY 3)			

Expanded Model Nomenclature

M1 - DCG1022103BXXXAC

Control Box Assembly



Control Box Assembly

Ref. Part No: No:	Description:	Ref. Part No: No:	Description:
-------------------	--------------	-------------------	--------------

Image 1:

31	0121G00491	VOLTAGE BARRIER
51	0130M00144	TRANSFORMER
61	CAP050000370LA	CAPACITOR 5/370V (QTY 2)
71	20520901	CAPACITOR STRAP (QTY 2)
141	0130M00038	TERMINAL BOARD
151	PCBAG123	IGNITION BOARD, DSI INTEGRATED
161	0130M00025	24V RELAY
201	16330-3	POWER BLOCK
251	CONT3P025024V	CONTACTOR 25 AMP, 3P, 24V (QTY 3)
661	0130M00242	RELAY, 24V (QTY 2)
NS	0259L00502	WIRE HARNESS
NS	0259L00148	WIRE HARNESS ASSY
NS	0259L00149	WIRE HARNESS ASSY
NS	0259L00166	WIRE HARNESS, ECONOMIZER

Expanded Model Nomenclature

M1 - DCG1022103BXXXAC