

Commercial 7.5 Ton High Static 2 Speed Package Gas Units

DCG0902103WHXXAA
DCG0902103WRKZAA
DCG0902103WVDCAA
DCG0902103WVXUAA
DCG0902103WWDCAA
DCG0902103WWDNAA
DCG0902103WWKGAA
DCG0902103WWKNAA
DCG0902103WWMEAA
DCG0902103WWXNAA
DCG0902103WWXVAA
DCG0902103WXSXAA
DCG0902103WXXCAA
DCG0902103WXXXAA
DCG0902104WAXZAA
DCG0902104WHSBAA
DCG0902104WHXAAA
DCG0902104WHXDAA
DCG0902104WHXGAA
DCG0902104WHXJAA
DCG0902104WJMTAA
DCG0902104WRSNAA
DCG0902104WVXXAA
DCG0902104WWXBAA
DCG0902104WWXDAA
DCG0902104WXXCAA
DCG0902104WXXXAA
DCG0902107WHXHAA
DCG0902107WXXXAA



This manual is to be used by qualified technicians only.

This manual replaces RP-D1207G.

Important Information

Index

Functional Parts List	3
Illustration and Parts	4 - 17

Views shown are for parts illustrations only, not servicing procedures

Text Codes:

AR - As Required

NA - Not Available

NS - Not Shown

00000000 - See Note

QTY - Quantity Example (QTY 3) (If Quantity not shown, Quantity = 1)

M - Model Example (M1) (If M Code not shown, then part is used on all Models)

Expanded Model Nomenclature:

Example M1 - Model#1 M2 - Model#2 M3 - Model#3

Daikin Company, L.P. is not responsible for personal injury or property damage resulting from improper service. Review all service information before beginning repairs.

Warranty service must be performed by an authorized technician, using authorized factory parts. If service is required after the warranty expires, Daikin Company, L.P. also recommends contacting an authorized technician and using authorized factory parts.

Daikin Company, L.P. reserves the right to discontinue, or change at any time, specifications or designs without notice or without incurring obligations.

For assistance within the U.S.A. contact:

Equipment Support
Daikin North America, LLC
19001 Kermier Road
Waller, Texas 77484
855-770-5678-Telephone
713-863-2382-Facsimile

For assistance outside the U.S.A. contact:

International Division
Daikin North America, LLC
19001 Kermier Road
Waller, Texas 77484
713-861-2500-Telephone
713-863-2382-Facsimile

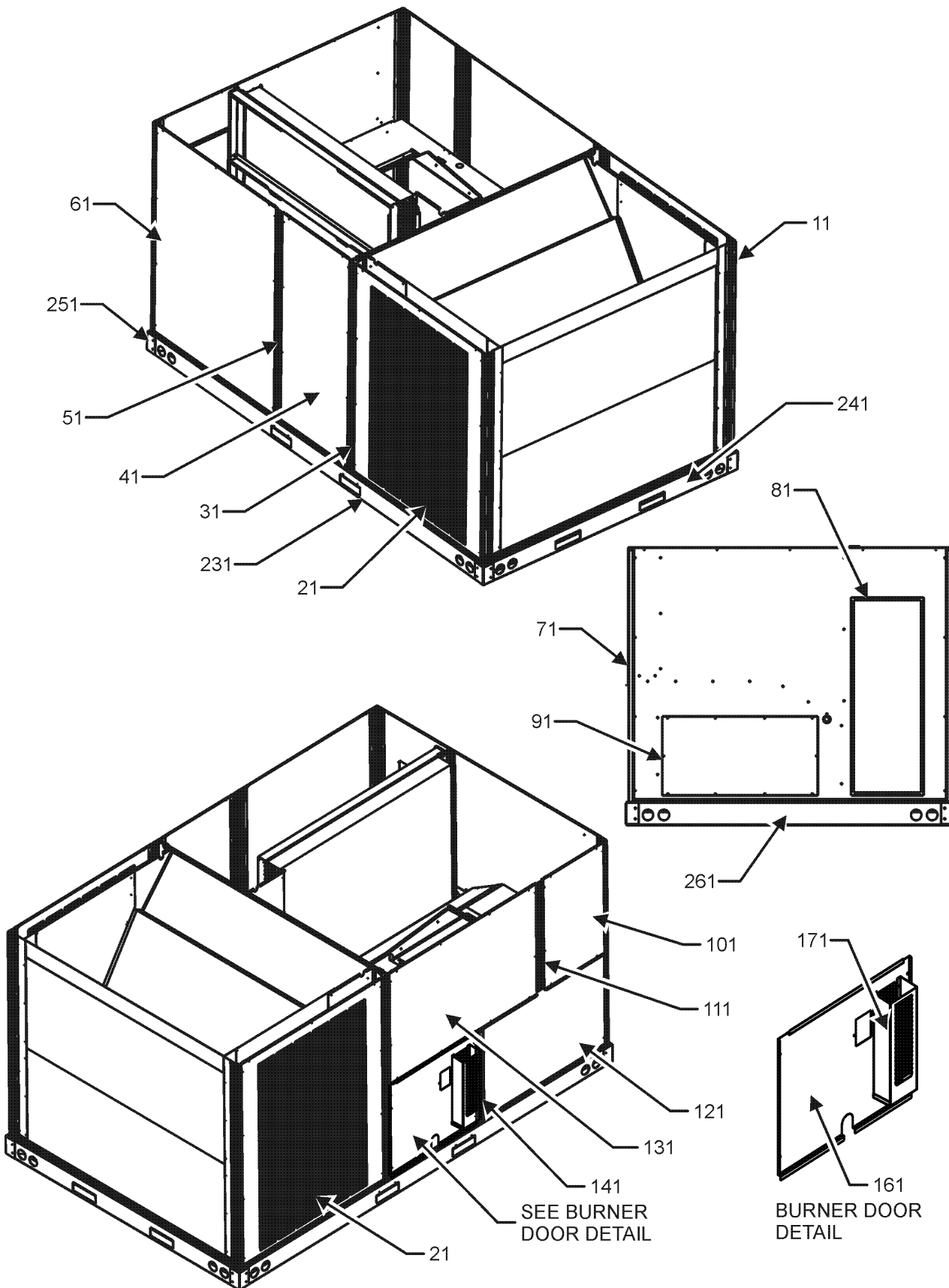
Functional Parts

Part

No: Description:

CAP075000440LA	CAP 7.5 MFD/440V/OVAL (M21, M26)	0130M00598	TRANSFORMER, 75VA, 575V TO 24V (M28, M29)
CAP030000440LA	CAPACITOR (M28, M29)	0131L00002	VENT MOTOR
CAP050000370LA	CAPACITOR 5/370V (M21, M26)	Expanded Model Nomenclature	
CAP075000370LA	CAPACITOR 7.5/370V (M15, M16, M17, M18, M19, M20, M21, M22, M23, M24, M25, M26, M27)	M1 - DCG0902103WHXXAA	
ZP39K5ETFD130	COMP, 39000, 460/60/3 (M15, M16, M17, M18, M19, M20, M21, M22, M23, M24, M25, M26, M27)	M2 - DCG0902103WRKZAA	
ZP39K5ETF5130	COMP, 39000,200/230/60/3 (M1, M2, M3, M4, M5, M6, M7, M8, M9, M10, M11, M12, M13, M14)	M3 - DCG0902103WVDCAA	
ZP39K5ETFE130	COMP, 39000,575/60/3 (M28, M29)	M4 - DCG0902103WVXUAA	
CONT3P025024V	CONTACTOR 25 AMP, 3P, 24V (QTY 4)	M5 - DCG0902103WWDCAA	
0130M00030	CUT-OUT SWITCH, HIGH PRESSURE	M6 - DCG0902103WWDNAA	
0130M00031	CUT-OUT SWITCH, HIGH PRESSURE	M7 - DCG0902103WVKGAA	
0130L00003	CUT-OUT SWITCH, LOW PRESSURE	M8 - DCG0902103WVKNAA	
0130L00002	CUT-OUT SWITCH, LOW PRESSURE	M9 - DCG0902103WWMEAA	
0130L00112	Duct Temp Sensor (M2, M22)	M10 - DCG0902103WWXNAA	
0150G00001	FAN BLADE (QTY 2)	M11 - DCG0902103WWXVAA	
0130F00010	FLAME SENSOR	M12 - DCG0902103WXSXAA	
0151L00000	GAS VALVE (36H)	M13 - DCG0902103WXXCAA	
PCBAG123	IGNITION BOARD, DSI INTEGRATED	M14 - DCG0902103WXXXAA	
20261709	IGNITOR	M15 - DCG0902104WAXZAA	
10123532	MANUAL RESET LIMIT 350°F	M16 - DCG0902104WHSBAA	
0131L00041	MOTOR 2 HP BELT DRIVE 208-230V (M1, M2, M3, M4, M5, M6, M7, M8, M9, M10, M11, M12, M13, M14)	M17 - DCG0902104WHXAAA	
0131L00043	MOTOR 2HP BELT DRIVE 460V (M15, M16, M17, M18, M19, M20, M21, M22, M23, M24, M25, M26, M27)	M18 - DCG0902104WHXDAA	
0131L00042	MOTOR 2HP BELT DRIVE 575V (M28, M29)	M19 - DCG0902104WHXGAA	
0131M00847	MOTOR, 1/4 HP, 1 SP, 6 PL (M1, M2, M6, M7, M8, M9, M10, M12, M14)	M20 - DCG0902104WHXJAA	
0131M00857	MOTOR, 380/460 50/60 HZ (M15, M16, M17, M18, M19, M20, M22, M23, M24, M25, M27)	M21 - DCG0902104WJMATA	
0131L00061	Motor, Cond, 1/4 HP, 208/230V (M3, M4, M5, M11, M13)	M22 - DCG0902104WRSNAA	
0131L00062	Motor, Cond, 1/4 HP, 460V (M21, M26)	M23 - DCG0902104WVXXAA	
0131M00431	MOTOR, COND, 575 V (M28, M29)	M24 - DCG0902104WWXBAA	
0164L00001	NOTCHED FAN BELT AX49	M25 - DCG0902104WWXDAA	
0130L00108	OD Air Temp Sensor (M2, M22)	M26 - DCG0902104WXXCAA	
16220-3	POWER BLOCK	M27 - DCG0902104WXXXAA	
11112501	PRESSURE SWITCH	M28 - DCG0902107WHXHAA	
B1370199	PRIMARY LIMIT SWITCH 190°F	M29 - DCG0902107WXXXAA	
10135604	RELAY (QTY 2)		
0130M00242	RELAY, 24V (QTY 2)		
0130M00025	RELAY, SPDT		
0130L00107	Room Temp Sensor (M2, M22)		
0130M00038	TERMINAL BOARD		
0130M00596	TRANS, 150VA, 480V TO 230V (M15, M16, M17, M18, M19, M20, M21, M22, M23, M24, M25, M26, M27)		
0130M00597	TRANS, 150VA, 575V TO 230V (M28, M29)		
0130M00594	TRANSFORMER (M1, M2, M3, M4, M5, M6, M7, M8, M9, M10, M11, M12, M13, M14)		
0130M00595	TRANSFORMER, 75VA, 480V TO 24V (M15, M16, M17, M18, M19, M20, M21, M22, M23, M24, M25, M26, M27)		

Cabinet Assembly



Cabinet Assembly

Ref. Part No:	Ref. Part No:	Description:	Description:
Image 1:		Expanded Model Nomenclature	
11	0121L00065RFNG	CORNER POST (QTY 4)	M1 - DCG0902103WHXXAA
11	0121L01407RFNG	CORNER POST (M2, M3, M5, M6, M7, M8, M9, M21)	M2 - DCG0902103WRKZAA
21	0121L00511NG	LOUVERED SIDE PANEL (QTY 2)	M3 - DCG0902103WVDCAA
31	0121L00738RFNG	ROLL FORM SIDE POST (M1, M4, M10, M11, M12, M13, M14, M15, M16, M17, M18, M19, M20, M22, M23, M24, M25, M26, M27, M28, M29)	M4 - DCG0902103WVXUAA
31	0121L01400RFNG	ROLL FORM SIDE POST (M2, M3, M5, M6, M7, M8, M9, M21)	M5 - DCG0902103WWDCAA
41	0121L00737NG	FILTER DOOR	M6 - DCG0902103WWDNAA
51	0121L00739RFNG	FILTER DOOR POST (M1, M4, M10, M11, M12, M13, M14, M15, M16, M17, M18, M19, M20, M22, M23, M24, M25, M26, M27, M28, M29)	M7 - DCG0902103WVKGAA
51	0121L01432RFNG	FILTER DOOR POST (M2, M3, M5, M6, M7, M8, M9, M21)	M8 - DCG0902103WVKNAA
61	0121L00510NG	ECONOMIZER DOOR (M1, M12, M13, M14, M16, M17, M18, M19, M20, M26, M27, M28, M29)	M9 - DCG0902103WWMEEAA
71	0121L01364NG	DUCT PANEL (M3, M12, M13, M14, M15, M23, M26, M27, M29)	M10 - DCG0902103WXXNAA
71	0121L01365NG	DUCT PANEL (M1, M2, M5, M9, M11, M18, M25)	M11 - DCG0902103WXXVAA
71	0121L01366NG	DUCT PANEL (M4, M6, M7, M8, M10, M16, M17, M19, M20, M21, M22, M24, M28)	M12 - DCG0902103WXXSAA
81	0121L00082NG	RETURN DUCT COVER	M13 - DCG0902103WXXCAA
91	0121L00099NG	SUPPLY DUCT COVER	M14 - DCG0902103WXXXAA
101	0121L00974NG	CONTROL DOOR	M15 - DCG0902104WAXZAA
111	0121L02303RFNG	PAINTED CONTROL POST (M1, M4, M10, M11, M12, M13, M14, M15, M16, M17, M18, M19, M20, M22, M23, M24, M25, M26, M27, M28, M29)	M16 - DCG0902104WHSBAA
111	0121L02517RFNG	RF, PAINTED CNTL POST HINGED (M2, M3, M5, M6, M7, M8, M9, M21)	M17 - DCG0902104WHXAAA
121	0121L00767NG	ELECTRIC HEAT DOOR	M18 - DCG0902104WHXDAA
131	0121L00763NG	BLOWER DOOR	M19 - DCG0902104WHXGAA
141	0121L00765RFNG	BURNER BOX POST	M20 - DCG0902104WHXJAA
161	0121L00766NG	BURNER DOOR	M21 - DCG0902104WJMTAA
171	0121L00129	DOOR RAIN SHIELD	M22 - DCG0902104WRSNAA
231	0121L01099RF	RAIL, BASE SIDES (QTY 2)	M23 - DCG0902104WVXXAA
241	0121L00834RF	RAIL, BASE ENDS	M24 - DCG0902104WWXBAA
251	0121G00301	BRACKET-RAIL CORNERS (QTY 4)	M25 - DCG0902104WWXDAA
261	0121L00071RF	RAIL, BASE DUCT END	M26 - DCG0902104WXXCAA
NS	0121L00727	ECONOMIZER COVER (M3, M4, M5, M6, M7, M8, M9, M10, M11, M23, M24, M25)	M27 - DCG0902104WXXXAA
NS	0121L01310	ECONOMIZER COVER (M2, M15, M21, M22)	M28 - DCG0902107WHXHAA
NS	0164L00009	GASKET-RUBBER, CPOST (QTY 3)	M29 - DCG0902107WXXXAA
NS	0164L00011	GASKET-RUBBER, SIDE POST (QTY 5)	

Top Panel and Tubing Assembly

IMAGE 1

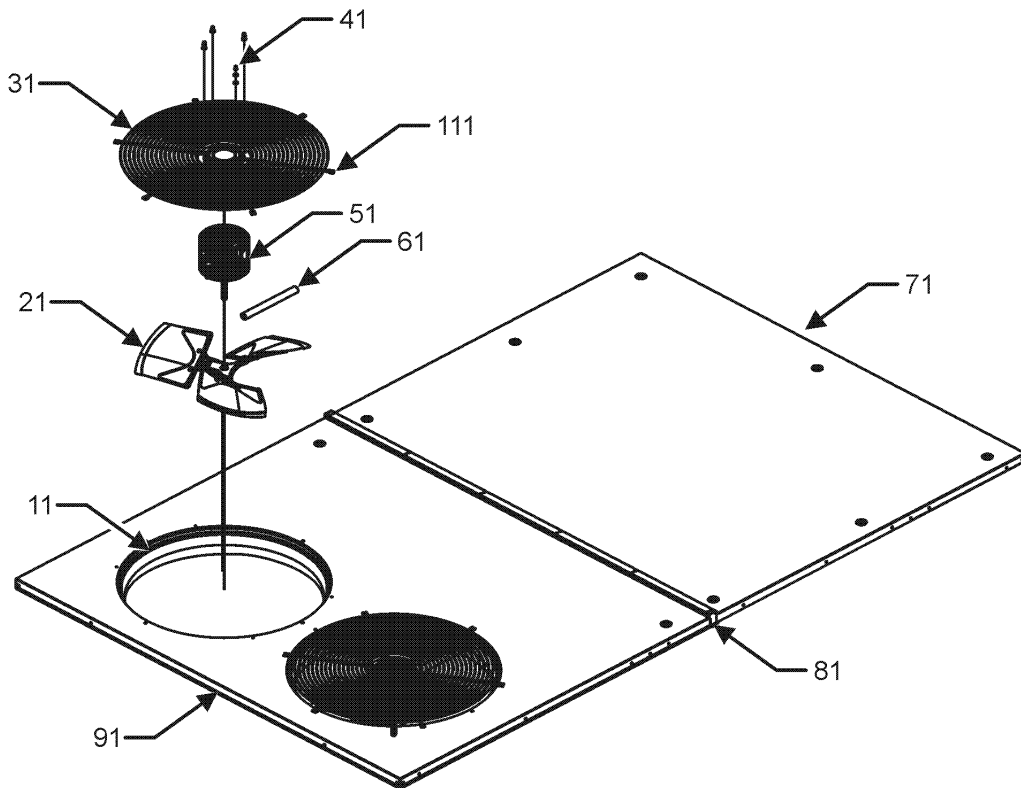
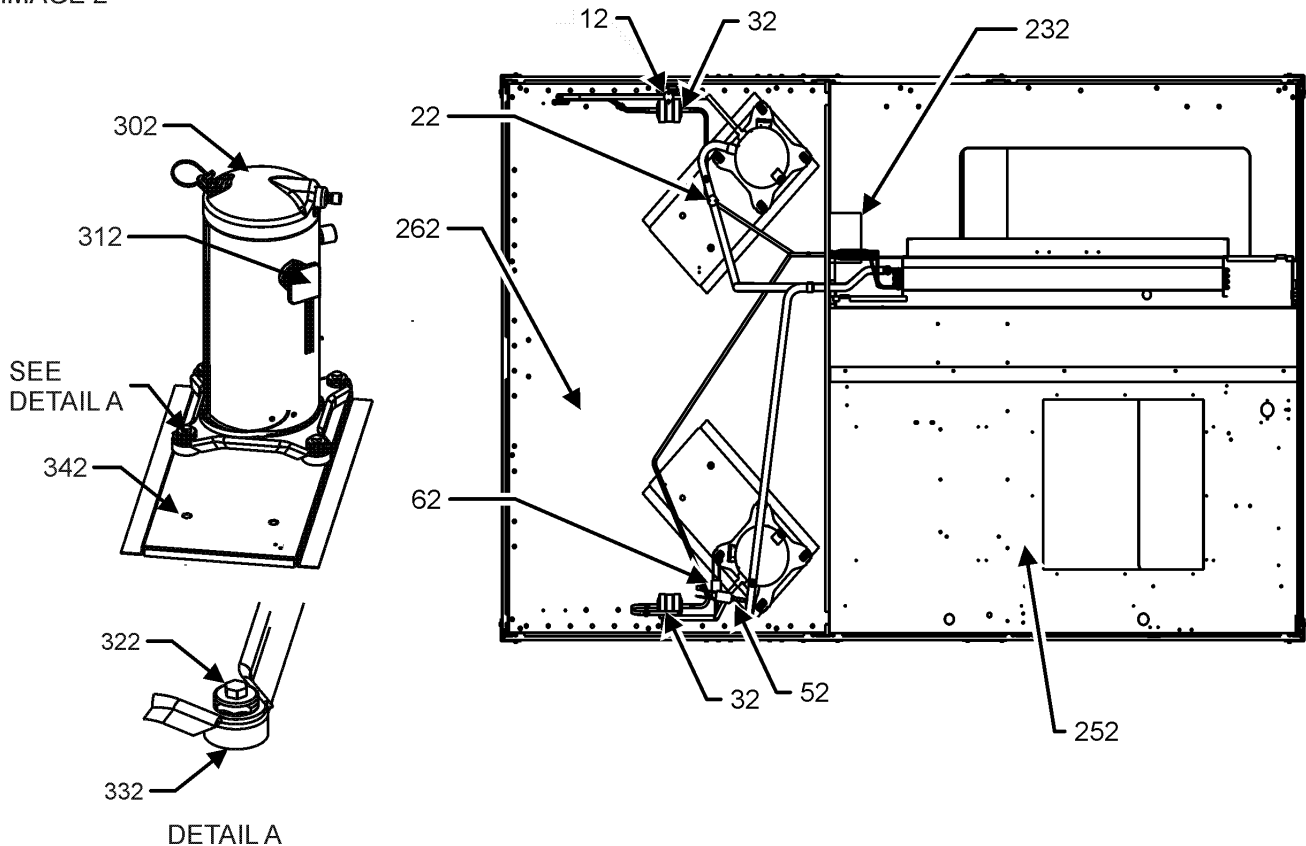


IMAGE 2

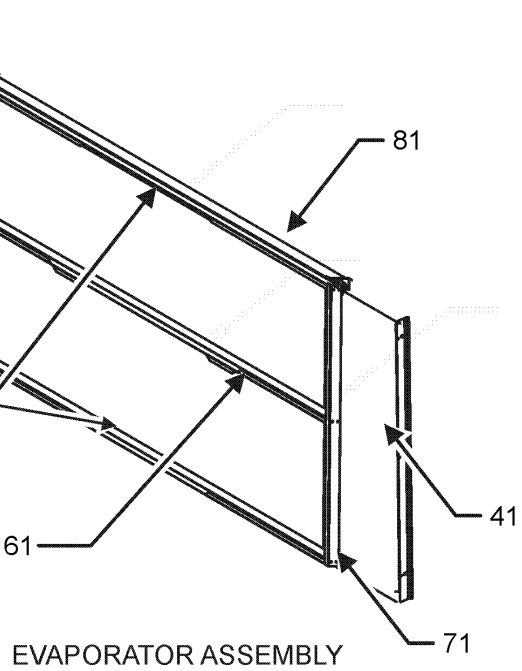
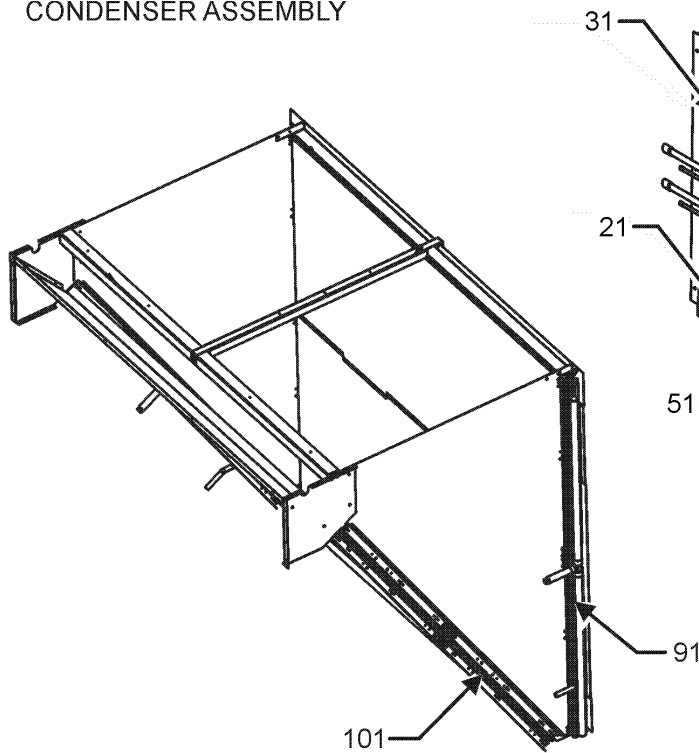


Top Panel and Tubing Assembly

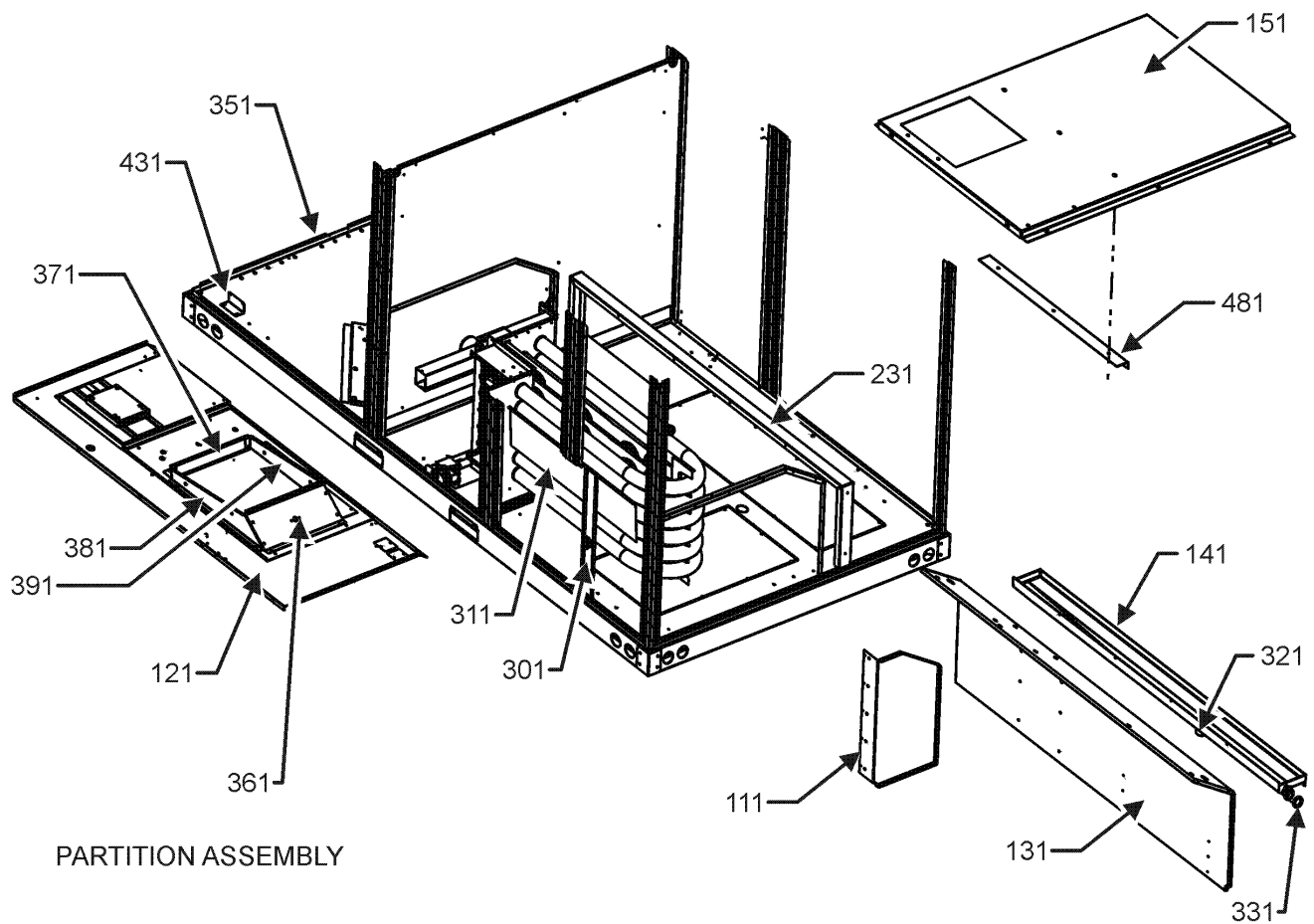
Ref. Part No: No:	Description:	Ref. Part No: No:	Description:
Image 1:		Expanded Model Nomenclature	
11	0161L00000 VENTURI RING 22" (QTY 2)	M1	- DCG0902103WHXXAA
21	0150G00001 FAN BLADE (QTY 2)	M2	- DCG0902103WRKZAA
31	0152G00000 FAN GRILLE, RAISED (QTY 2)	M3	- DCG0902103WVDCAA
41	0163M00006P ACORN NUT 5/16 HEX BLACK (QTY 8)	M4	- DCG0902103WVXUAA
51	0131M00847 MOTOR, 1/4 HP, 1 SP, 6 PL (M1, M2, M6, M7, M8, M9, M10, M12, M14)	M5	- DCG0902103WWDCAA
51	0131M00857 MOTOR, 380/460 50/60 HZ (M15, M16, M17, M18, M19, M20, M22, M23, M24, M25, M27)	M6	- DCG0902103WWDNAA
51	0131L00061 Motor, Cond, 1/4 HP, 208/230V (M3, M4, M5, M11, M13)	M7	- DCG0902103WVKGAA
51	0131L00062 Motor, Cond, 1/4 HP, 460V (M21, M26)	M8	- DCG0902103WVKNAA
51	0131M00431 MOTOR, COND, 575 V (M28, M29)	M9	- DCG0902103WWMEAA
61	0161R00003P CONDUIT (QTY 2)	M10	- DCG0902103WWXNAA
71	0121L01119NG PAINTED TOP PANEL INDOOR	M11	- DCG0902103WWXVAA
81	20455902 SPLICE GASKET .50 X .25 (QTY 8)	M12	- DCG0902103WXSXAA
91	0121L01118NG PAINTED TOP PANEL OUTDOOR	M13	- DCG0902103WXXCAA
111	0163M00005P WASHER, BLACK (.50 OD .218ID) (QTY 8)	M14	- DCG0902103WXXXAA
NS	0259L00511 HARNESS COND MOTOR	M15	- DCG0902104WAXZAA
NS	0259L00512 HARNESS COND MOTOR	M16	- DCG0902104WHSBAA
NS	0163M00004 SCREW #10X3/4" BLK (QTY 22)	M17	- DCG0902104WHXAAA
Image 2:		M18	- DCG0902104WHXDAA
12	0130M00031 CUT-OUT SWITCH, HIGH PRESSURE	M19	- DCG0902104WHXGAA
22	0130L00003 CUT-OUT SWITCH, LOW PRESSURE	M20	- DCG0902104WHXJAA
32	B1219204 BI-FLOW FILTER DRIER	M21	- DCG0902104WJMTAA
52	0130L00002 CUT-OUT SWITCH, LOW PRESSURE	M22	- DCG0902104WRSNAA
62	0130M00030 CUT-OUT SWITCH, HIGH PRESSURE	M23	- DCG0902104WVXXAA
232	0121L00359 SHIELD-EVAPORATOR DRIP	M24	- DCG0902104WWXBAA
252	0121L00944 BASE PAN - INDOOR	M25	- DCG0902104WWXDAA
262	0121L02129 BASE PAN - OUTDOOR	M26	- DCG0902104WXXCAA
302	ZP39K5ETFD130 COMP, 39000, 460/60/3 (M15, M16, M17, M18, M19, M20, M21, M22, M23, M24, M25, M26, M27)	M27	- DCG0902104WXXXAA
302	ZP39K5ETF5130 COMP, 39000, 200/230/60/3 (M1, M2, M3, M4, M5, M6, M7, M8, M9, M10, M11, M12, M13, M14)	M28	- DCG0902107WHXHAA
302	ZP39K5ETFE130 COMP, 39000, 575/60/3 (M28, M29)	M29	- DCG0902107WXXXAA
312	0159L00066 COMPRESSOR SCROLL HARNESS		
312	0159L00067 COMPRESSOR SCROLL HARNESS		
322	M0221641 TF SHOULDER SCREW (QTY 8)		
332	B1339533 COMPRESSOR GROMMET (QTY 8)		
342	0121L02128 COMPRESSOR MOUNTING PLATE (QTY 2)		
NS	B1373315 ACCESS FITTING (QTY 4)		
NS	0141L00006X BOARD FORK (QTY 2)		
NS	0121L00055 BRACKET-FORK BOARD (QTY 4)		
NS	0163M00175 CAP WITH O-RING (QTY 4)		

Evaporator, Condenser and Tubing Assy

CONDENSER ASSEMBLY



EVAPORATOR ASSEMBLY

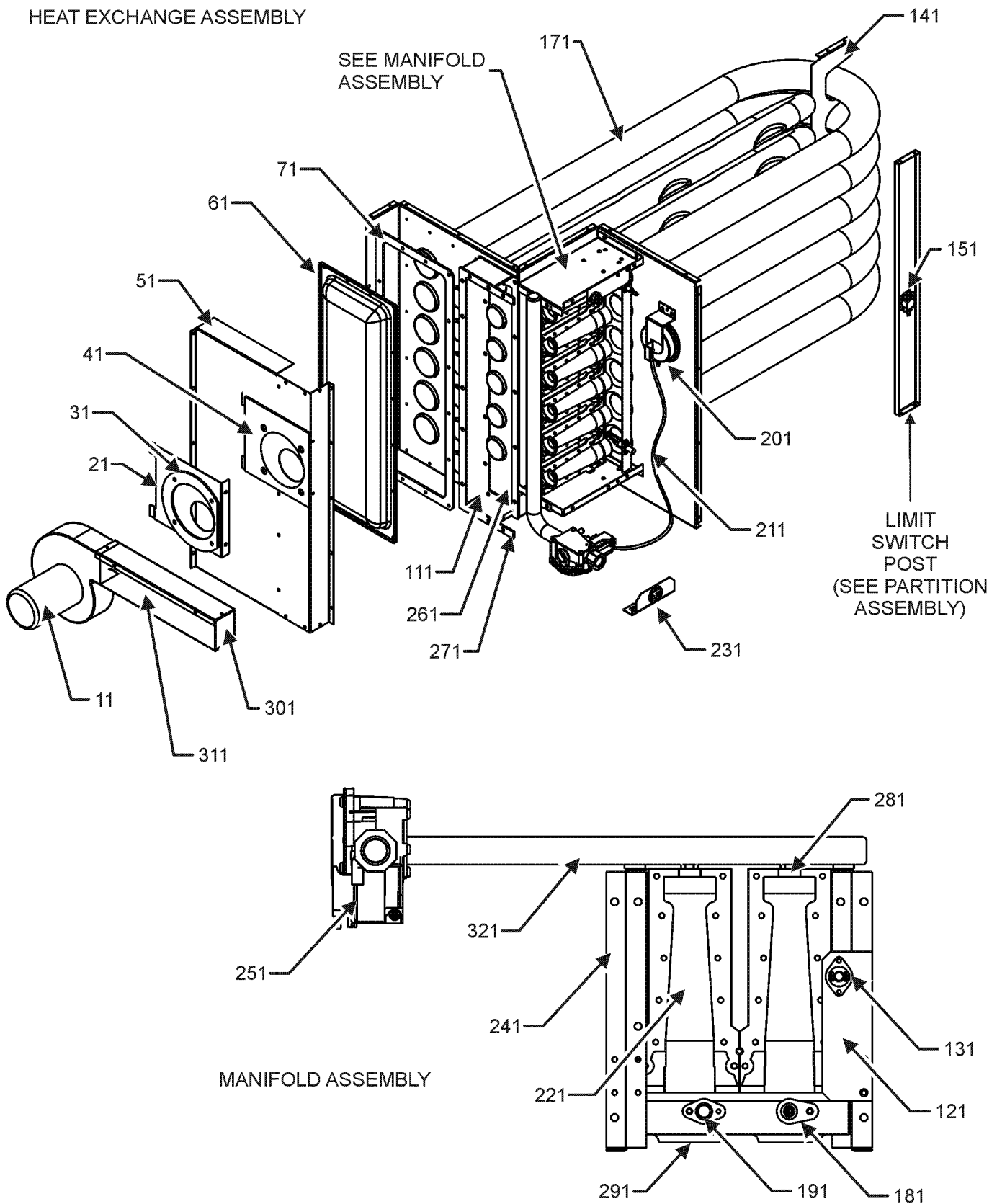


PARTITION ASSEMBLY

Evaporator, Condenser and Tubing Assy

Ref. Part No:	Description:	Ref. Part No:	Description:
Image 1:		Expanded Model Nomenclature	
21	0121L00357 ANGLE, FILTER VERTICAL	M1	- DCG0902103WHXXAA
31	0121L00210 EVAP EXTENSION-RETURN SIDE	M2	- DCG0902103WRKZAA
41	0121L00844 EVAP EXTENSION-HAIRPIN SIDE	M3	- DCG0902103WVDCAA
51	0121L00932 FILTER ANGLE-HORIZONTAL (QTY 2)	M4	- DCG0902103WVXUAA
61	0121L01255 FILTER ANGLE - CENTER	M5	- DCG0902103WWDCAA
71	0121L00358 FILTER ANGLE-VERTICAL (HAIRPIN SIDE)	M6	- DCG0902103WWDNAA
81	0202L00091 TUBING ASSY, EVAP COIL	M7	- DCG0902103WVKGAA
91	0201L00677 COND COIL ASSY, 5MM	M8	- DCG0902103WVKNAA
101	0201L00678 COND COIL ASSY, 5MM	M9	- DCG0902103WWMEAA
111	0121L00522 BLOCKOFF-HEAT EXCHANGER	M10	- DCG0902103WWWXNAA
121	0121L03117 DECK, BLOWER	M11	- DCG0902103WWWXVAA
131	0121L00374 DECK SIDE CHANNEL	M12	- DCG0902103WXSXAA
141	0161L00002 DRAIN PAN	M13	- DCG0902103WXXCAA
151	0121L00366 BASE-HEAT EXCHANGER	M14	- DCG0902103WXXXAA
231	0121L02984 SUPPORT, PAN, DRAIN	M15	- DCG0902104WAXZAA
301	0121L03099 POST-LIMIT SWITCH	M16	- DCG0902104WHSBAA
311	0121L00136 BAFFLE-BLOWER	M17	- DCG0902104WHXAAA
321	0163L00071 DRAIN PAN PLUG	M18	- DCG0902104WHXDAA
331	0154L00009 GASKET-DRAIN PAN	M19	- DCG0902104WHXGAA
351	0121L00071RF RAIL-BASE DUCT END	M20	- DCG0902104WHXJAA
361	0121L00090 BLOWER TRANSITION, RH END	M21	- DCG0902104WJMTAA
371	0121L00097 BLOWER TRANSITION, LH END	M22	- DCG0902104WRSNAA
381	0121L00092 BLOWER TRANSITION, FRONT	M23	- DCG0902104WVXXAA
391	0121L00145 BLOWER TRANSITION, BACK	M24	- DCG0902104WWXBAA
431	0121L00369 BRACE-CONDENSER (QTY 2)	M25	- DCG0902104WWXDAA
481	0121L00143 ANGLE-HT BASE BRACE	M26	- DCG0902104WXXCAA
NS	0160L00174 AIR FILTER 16 X 20 X 2 (QTY 4)	M27	- DCG0902104WXXXAA
NS	0121L01398 DECK, SUPPORT BLOWER (M2, M3, M5, M6, M7, M8, M9, M21)	M28	- DCG0902107WHXHAA
NS	0121L01402 DECK, SUPPORT CONTROL (M2, M3, M5, M6, M7, M8, M9, M21)	M29	- DCG0902107WXXXAA
NS	0121L00321 SMOKE DETECTOR COVER		

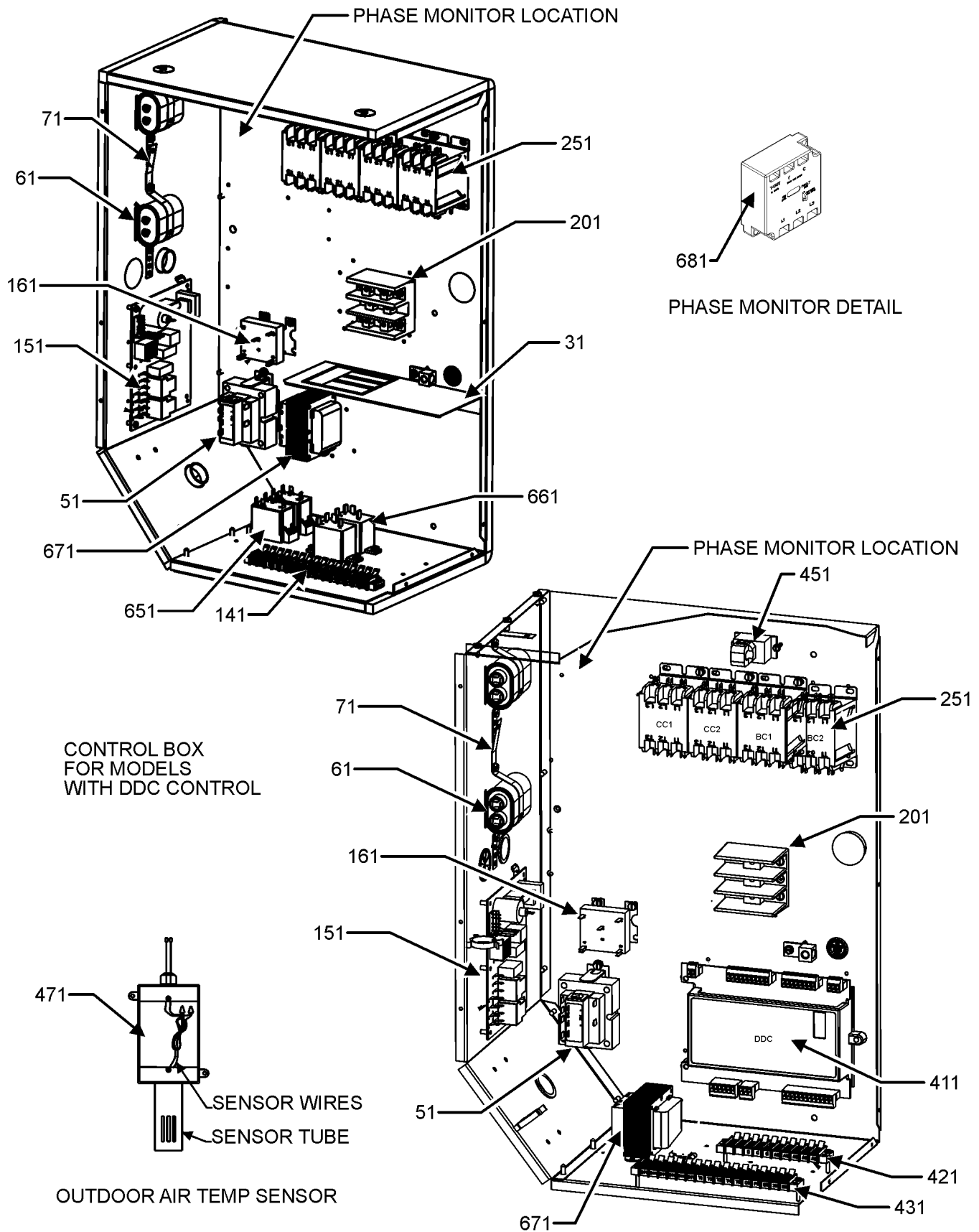
Heat Exchanger Assembly



Heat Exchanger Assembly

Ref. Part No: No:	Description:	Ref. Part No: No:	Description:
Image 1:		Expanded Model Nomenclature	
11	0131L00002 VENT MOTOR	M1	- DCG0902103WHXXAA
21	0121L00080 MOUNTING PLATE-ID BLOWER	M2	- DCG0902103WRKZAA
31	0154L00007 GASKET, BLOWER/ORIFICE PLATE	M3	- DCG0902103WVDCAA
41	0154L00006 GASKET, COLLECTOR/ORIFICE PLATE	M4	- DCG0902103WVXUAA
51	0121L00077 COLLECTOR BOX COVER	M5	- DCG0902103WWDCAA
61	0121L00072 REAR COVER, HEAT EXCHANGER	M6	- DCG0902103WWDNAA
71	0154L00010 REAR COVER GASKET, HEAT EXCHANGER	M7	- DCG0902103WWKGAA
111	0121L00076 COLLECTOR BOX CHANNEL	M8	- DCG0902103WWKNAA
121	0121L00323 FLAME ROLLOUT BRACKET	M9	- DCG0902103WWMEAA
131	10123532 MANUAL RESET LIMIT 350°F	M10	- DCG0902103WWWXNAA
141	0121L01436 SUPPORT BRACKET	M11	- DCG0902103WWWVAA
151	B1370199 PRIMARY LIMIT SWITCH 190°F	M12	- DCG0902103WXSXAA
171	0270L00752 HEAT EXCHANGER ASSY 6B (M1, M3, M4, M5, M6, M9, M10, M11, M13, M14, M15, M17, M18, M19, M20, M21, M23, M24, M25, M26, M27, M28, M29)	M13	- DCG0902103WXXCAA
171	0270L00171 PART/TUBE ASSY 6B (M2, M7, M8, M12, M16, M22)	M14	- DCG0902103WXXXAA
181	0130F00010 FLAME SENSOR	M15	- DCG0902104WAXZAA
191	20261709 IGNITOR	M16	- DCG0902104WHSBAA
201	11112501 PRESSURE SWITCH	M17	- DCG0902104WHXAAA
211	A3468601 PRESSURE SWITCH HOSE	M18	- DCG0902104WHXDA A
221	0163L00000 BECKETT BURNER (QTY 6)	M19	- DCG0902104WHXGAA
231	0121L00147 BRACKET-GAS VALVE PIPE	M20	- DCG0902104WHXJAA
241	0121G00268 BRACKET-BURNER TOP/BOT (QTY 2)	M21	- DCG0902104WJMTAA
251	0151L00000 GAS VALVE (36H)	M22	- DCG0902104WRSNAA
261	0154L00011 INNER GASKET, COLLECTOR BOX	M23	- DCG0902104WVXXAA
271	0154L00012 OUTER GASKET, COLLECTOR BOX	M24	- DCG0902104WWXBAA
281	0163L00007 ORIFICE #34 DRILL (QTY 6)	M25	- DCG0902104WWXDAA
291	0121L00075 BRACKET-6 BURNERS	M26	- DCG0902104WXXCAA
301	0163L00006 FLUE SCREEN	M27	- DCG0902104WXXXAA
311	0121L00049 HEAT EXCHANGER FLUE (QTY 2)	M28	- DCG0902107WHXHAA
321	0163L00010 MANIFOLD - 6 BRNR	M29	- DCG0902107WXXXAA
NS	0121L00130NG FLUE COLLAR		
NS	B1392609 SEAL STRIP, RED, 1/8 X 1/2 X 100 (QTY 3)		

Control Box Assembly

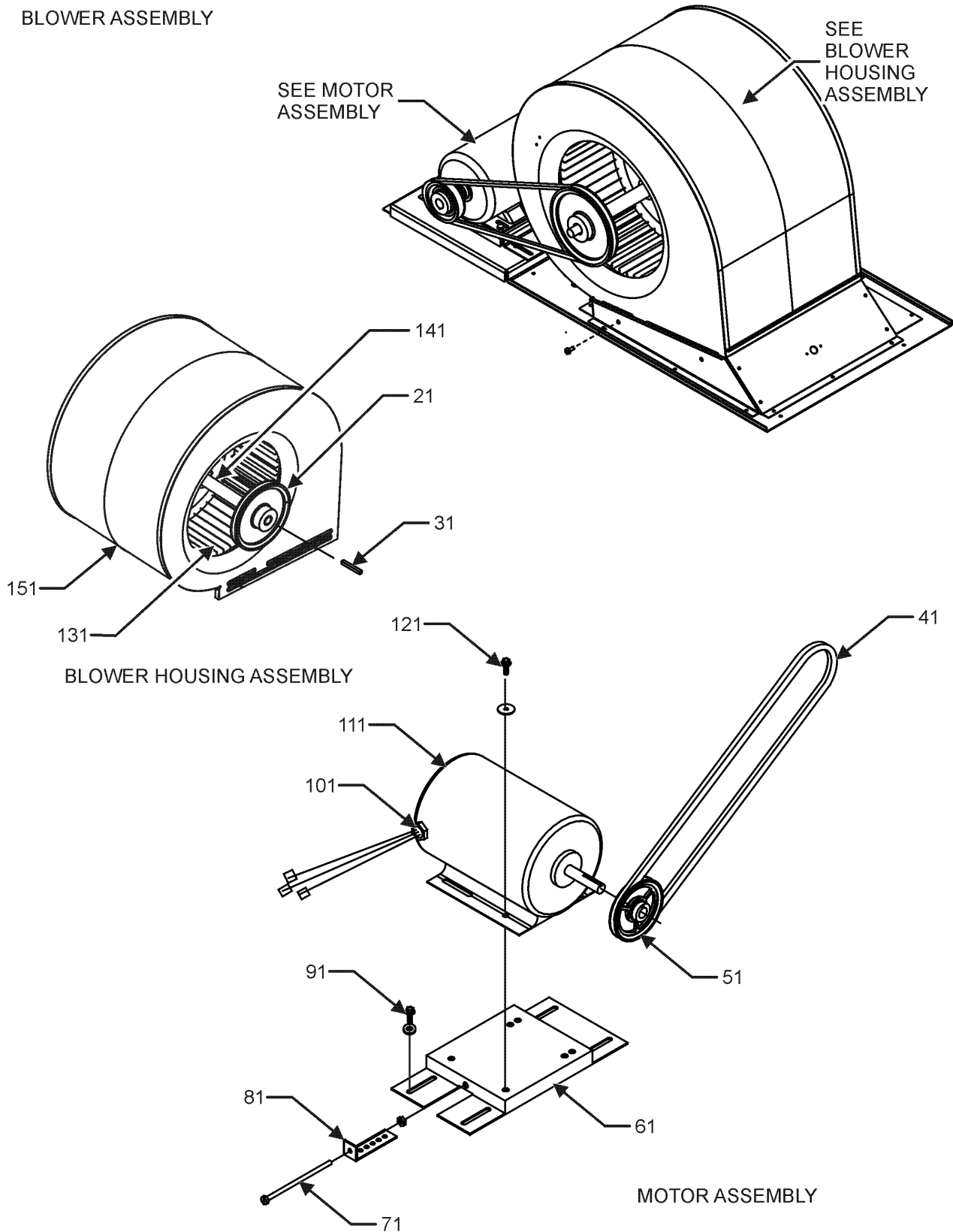


Control Box Assembly

Ref. Part No:	Ref. Part No:	Description:	Description:
Image 1:		Expanded Model Nomenclature	
31	0121G00491	VOLTAGE BARRIER	M1 - DCG0902103WHXXAA
51	0130M00597	TRANS, 150VA, 575V TO 230V (M28, M29)	M2 - DCG0902103WRKZAA
51	0130M00594	TRANSFORMER (M1, M2, M3, M4, M5, M6, M7, M8, M9, M10, M11, M12, M13, M14)	M3 - DCG0902103WVDCAA
51	0130M00595	TRANSFORMER, 75VA, 480V TO 24V (M15, M16, M17, M18, M19, M20, M21, M22, M23, M24, M25, M26, M27)	M4 - DCG0902103WVXUAA
61	CAP030000440LA	CAPACITOR (M28, M29)	M5 - DCG0902103WWDCAA
61	CAP050000370LA	CAPACITOR 5/370V (M21, M26)	M6 - DCG0902103WWDNAA
61	CAP075000370LA	CAPACITOR 7.5/370V (M15, M16, M17, M18, M19, M20, M21, M22, M23, M24, M25, M26, M27)	M7 - DCG0902103WWKGAA
71	20520901	CAPACITOR STRAP (QTY 8)	M8 - DCG0902103WWKNAA
141	0130M00038	TERMINAL BOARD	M9 - DCG0902103WWMEAA
151	PCBAG123	IGNITION BOARD, DSI INTEGRATED	M10 - DCG0902103WWWXNAA
161	0130M00025	RELAY, SPDT	M11 - DCG0902103WWWVAA
201	16220-3	POWER BLOCK	M12 - DCG0902103WXSXAA
251	CONT3P025024V	CONTACTOR 25 AMP, 3P, 24V (QTY 4)	M13 - DCG0902103WXXCAA
411	PCBCG103	PCB, CONTROL, HP, GAS ,AC (M2, M22)	M14 - DCG0902103WXXXAA
421	0130M00274	TERMINAL BOARD (M2, M22)	M15 - DCG0902104WAXZAA
431	0130M00275	TERMINAL BOARD (M2, M22)	M16 - DCG0902104WHSBAA
451	0259L00368	CURRENT SWITCH WITH TERMS (M2, M22)	M17 - DCG0902104WHXAAA
471	0130L00108	OD Air Temp Sensor (M2, M22)	M18 - DCG0902104WHXDAA
651	10135604	RELAY (QTY 2)	M19 - DCG0902104WHXGAA
661	0130M00242	RELAY, 24V (QTY 2)	M20 - DCG0902104WHXJAA
671	0130M00596	TRANS, 150VA, 480V TO 230V (M15, M16, M17, M18, M19, M20, M21, M22, M23, M24, M25, M26, M27)	M21 - DCG0902104WJMTAA
671	0130M00598	TRANSFORMER, 75VA, 575V TO 24V (M28, M29)	M22 - DCG0902104WRSNAA
681	0130L00105	PHASE MONITOR (M9, M21)	M23 - DCG0902104WVXXAA
NS	CAP075000440LA	CAP 7.5 MFD/440V/OVAL (M21, M26)	M24 - DCG0902104WWXBAA
NS	0130L00112	Duct Temp Sensor (M2, M22)	M25 - DCG0902104WWXDAA
NS	0259L00401	HARN, BINARY INPUT, DDC (M2, M22)	M26 - DCG0902104WXXCAA
NS	0259L00382	HARN, CNTL PWR, DDC (M2, M22)	M27 - DCG0902104WXXXAA
NS	0259L00420	HARN, IIC, DDC 2 SP (M2, M22)	M28 - DCG0902107WHXHAA
NS	0259L00399	HARN, PWR XFMR CNTL (M2, M22)	M29 - DCG0902107WXXXAA
NS	0259L00419	HARN, RELAY OUTPUT, DDC 2 SP (M2, M22)	
NS	0259L00496	HARNESS, NON POW, CONV, OUT (M4, M7, M17, M19, M20, M28)	
NS	0259L00496	HARNESS, NON POW, CONV, OUT (M4, M7, M17, M19, M20, M28)	
NS	0259L00092	HARNESS-SMOKE DETECTOR SENSOR (M2, M4, M6, M7, M8, M9, M10, M11, M15, M18, M19, M20, M21, M22, M25, M28)	
NS	0259L00162	MALE PLUG ASSY (12 PIN)	
NS	0130L00107	Room Temp Sensor (M2, M22)	
NS	0259L00428	WIRE ASSY (M9, M21)	
NS	0259L00447	WIRE ASSY (M9, M21)	
NS	0259L00494	WIRE HARN, SMOKE DET MED DDC (M2, M22)	
NS	0259L00503	WIRE HARNESS (M2, M22)	
NS	0259L00192	WIRE HARNESS, ECONOMIZER	
NS	0259L00090	WIRE HARNESS-SMOKE DETECTOR (M4, M6, M7, M8, M9, M10, M11, M15, M18, M19, M20, M21, M25, M28)	
NS	0259L00428	WIRE, HARNESS ASSY (M9, M21)	

Blower Assembly

BLOWER ASSEMBLY



Blower Assembly

Ref. Part No:	Part No:	Description:	Ref. Part No:	Part No:	Description:
---------------	----------	--------------	---------------	----------	--------------

Image 1:

21	0163L00138	SHEAVE, FIXED AK61H
31	0163M00407	MACHINE KEY, SPECIAL
41	0164L00001	NOTCHED FAN BELT AX49
51	B2120014	SHEAVE VAR.-1 VL44 X 7/8
61	0121L03460	BASE, MOTOR
71	0163M00045	BOLT 1/4-20 X 4"
81	3225000F	BELT TIGHTENER ANGLE
91	B1446707	SCREW 5/16-18 X 1" (QTY 4)
101	B1393726	ELECT. CONNECTING BUSHING
111	0131L00041	MOTOR 2 HP BELT DRIVE 208-230V (M1, M2, M3, M4, M5, M6, M7, M8, M9, M10, M11, M12, M13, M14)
111	0131L00043	MOTOR 2HP BELT DRIVE 460V (M15, M16, M17, M18, M19, M20, M21, M22, M23, M24, M25, M26, M27)
111	0131L00042	MOTOR 2HP BELT DRIVE 575V (M28, M29)
121	B1393738	BOLT 1/4-20 X 3/4" (QTY 4)
131	03-77429	BLOWER WHEEL
141	04-11525	BLOWER SHAFT
151	04-01525	BLOWER HOUSING

Expanded Model Nomenclature

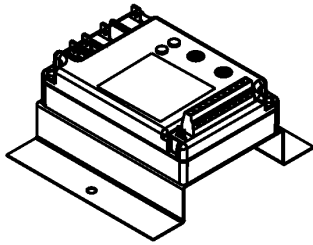
M1 - DCG0902103WHXXAA
M2 - DCG0902103WRKZAA
M3 - DCG0902103WV DCAA
M4 - DCG0902103WV XUAA
M5 - DCG0902103WWDCAA
M6 - DCG0902103WWDNAA
M7 - DCG0902103WWKGAA
M8 - DCG0902103WWKNAA
M9 - DCG0902103WWMEAA
M10 - DCG0902103WWXNAA
M11 - DCG0902103WWXVAA
M12 - DCG0902103WXSXAA
M13 - DCG0902103WXXCAA
M14 - DCG0902103WXXXAA
M15 - DCG0902104WAXZAA
M16 - DCG0902104WHSBAA
M17 - DCG0902104WHXAAA
M18 - DCG0902104WHXDAA
M19 - DCG0902104WHXGAA
M20 - DCG0902104WHXJAA
M21 - DCG0902104WJMTAA
M22 - DCG0902104WRSNAA
M23 - DCG0902104WV XXAA
M24 - DCG0902104WWXBAA
M25 - DCG0902104WWXDAA
M26 - DCG0902104WXXCAA
M27 - DCG0902104WXXXAA
M28 - DCG0902107WHXHAA
M29 - DCG0902107WXXXAA

Accessory Part List

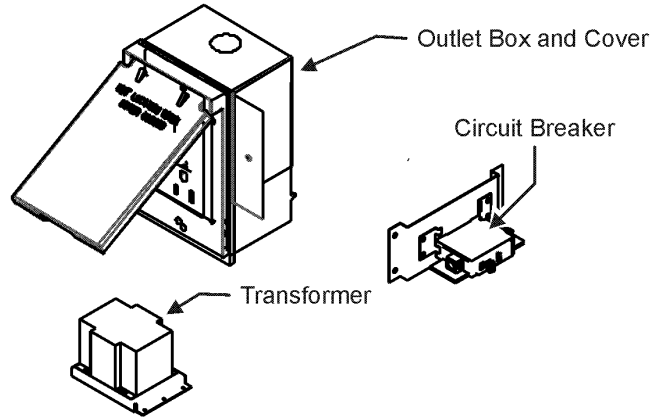
ACCESSORY PARTS LIST

NOTE: NOT ALL OPTIONS AVAILABLE FOR ALL PRODUCTS

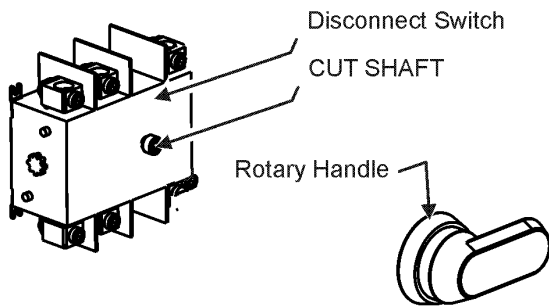
1 LOW AMBIENT KITS



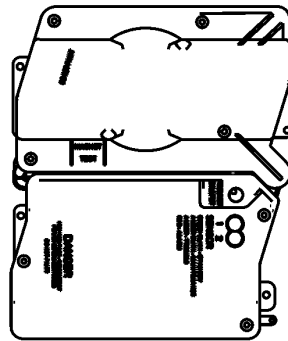
2 GFCI CONVENIENCE OUTLET



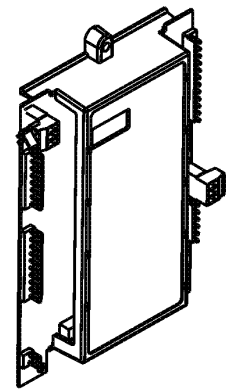
3 DISCONNECT MODULE (NON-FUSED)



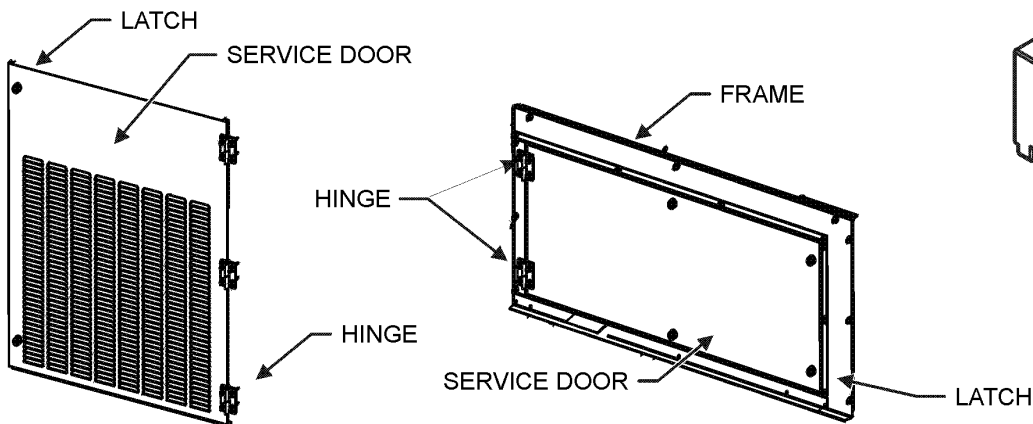
4 SMOKE DETECTORS



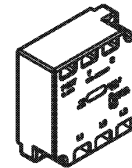
5 DDC CONTROL



6 HINGED DOOR ASSEMBLIES



7 PHASE MONITOR



Accessory Part List

Ref. Part No:	No:	Description:	Ref. Part No:	No:	Description:
Image 1:			Image 1:		
NS	DDNECNJ90150B	7.5-12.5 TON DFLOW ECON (M3, M4, M5, M6, M7, M8, M9, M10, M11, M23, M24, M25)	NS	0130L00049	SHAFT, DISCONNECT (M1, M2, M5, M6, M7, M8, M9, M10, M11, M16, M17, M18, M19, M20, M21, M22, M24, M25, M28)
NS	1036610B	7.5-12.5 TON DFLOW ECONOMIZER (M15, M21)	NS	D4120	SMOKE DETECTOR, PHOTO 4WIRE (M2, M4, M6, M7, M8, M9, M10, M11, M15, M18, M19, M20, M21, M22, M25, M28)
NS	10366D10B	7.5-12.5T DFLOW ECON, DDC (M2, M22)	NS	D4S	SMOKE DETECTOR, SENSOR ONLY (M2, M15, M20, M21)
NS	0121L00316	BRACKET-CONV OUTLET MOUNT (M4, M6, M7, M8, M10, M16, M17, M19, M20, M21, M22, M24, M25, M28)	NS	0130L00046	SWITCH-DISCONNECT 60A (M1, M2, M5, M6, M7, M8, M9, M10, M11, M16, M17, M18, M19, M20, M21, M22, M24, M25, M28)
NS	0121L00768	BRACKET-SMOKE DETECTOR (M2, M4, M6, M7, M8, M9, M10, M11, M15, M18, M19, M20, M21, M22, M25, M28)	NS	0130M00061	TRANSFORMER, CONVENIENCE OUTLET (M6, M8, M10, M16, M21, M22, M24)
NS	0130M00065	CIRCUIT BREAKER, CONVENIENCE OUTLET (M6, M8, M10, M16, M21, M22, M24)	Expanded Model Nomenclature		
NS	0121L00973NG	DISCONNECT SWITCH COVER (M1, M2, M5, M6, M7, M8, M9, M10, M11, M16, M17, M18, M19, M20, M21, M22, M24, M25, M28)	<div style="border: 1px solid black; padding: 5px;"> M1 - DCG0902103WHXXAA M2 - DCG0902103WRKZAA M3 - DCG0902103WVDCAA M4 - DCG0902103WVXUAA M5 - DCG0902103WWDCAA M6 - DCG0902103WWDNAA M7 - DCG0902103WVKGAA M8 - DCG0902103WVKNA M9 - DCG0902103WVMEAA M10 - DCG0902103WVXNAA M11 - DCG0902103WVXVAA M12 - DCG0902103WXSXAA M13 - DCG0902103WXXCAA M14 - DCG0902103WXXXAA M15 - DCG0902104WAXZAA M16 - DCG0902104WHSBAA M17 - DCG0902104WHXAAA M18 - DCG0902104WHXDAA M19 - DCG0902104WHXGAA M20 - DCG0902104WHXJAA M21 - DCG0902104WJMTAA M22 - DCG0902104WRSNAA M23 - DCG0902104WVXXAA M24 - DCG0902104WVXBAA M25 - DCG0902104WVXDAA M26 - DCG0902104WXXCAA M27 - DCG0902104WXXXAA M28 - DCG0902107WHXHAA M29 - DCG0902107WXXXAA </div>		
NS	0121L01397NG	DOOR FRAME, BLOWER (M2, M3, M5, M6, M7, M8, M9, M21)			
NS	0121L01406NG	DOOR FRAME, CONTROL (M2, M3, M5, M6, M7, M8, M9, M21)			
NS	0121L02480NG	DOOR, SERVICE, FRONT, BLOWER (M2, M3, M5, M6, M7, M8, M9, M21)			
NS	0130L00012	GANG BOX-GFCI OUTLET (M4, M6, M7, M8, M10, M16, M17, M19, M20, M21, M22, M24, M28)			
NS	0130L00039	HANDLE, ROTARY (M1, M2, M5, M6, M7, M8, M9, M10, M11, M16, M17, M18, M19, M20, M21, M22, M24, M25, M28)			
NS	0163M00307	HINGE, LEFT HAND (M2, M3, M5, M6, M7, M8, M9, M21)			
NS	0163M00308	HINGE, RIGHT HAND (M2, M3, M5, M6, M7, M8, M9, M21)			
NS	0163M00322	LATCH (M2, M3, M5, M6, M7, M8, M9, M21)			
NS	0130M00059	LOW AMBIENT KIT (M3, M4, M5, M11, M13, M21, M26)			
NS	0121L02220NG	PNT, DOOR FRAME FILTER (M2, M3, M5, M6, M7, M8, M9, M21)			
NS	0121L02481NG	PNT, SERVICE DOOR BACK BLWR (M2, M3, M5, M6, M7, M8, M9, M21)			
NS	0121L02223NG	PNT, SERVICE DOOR BACK FILTER (M2, M3, M5, M6, M7, M8, M9, M21)			
NS	0121L02218NG	PNT, SERVICE DOOR FRONT FILTER (M2, M3, M5, M6, M7, M8, M9, M21)			
NS	0161G00012	POWER OUTLET BOX (M4, M6, M7, M8, M10, M16, M17, M19, M20, M21, M22, M24, M28)			
NS	0130L00103	RECEPTACLE-GFCI OUTLET (M4, M6, M7, M8, M10, M16, M17, M19, M20, M21, M22, M24, M28)			
NS	0121L01404NG	SERVICE DOOR BACK, CONTROL (M2, M3, M5, M6, M7, M8, M9, M21)			
NS	0121L01403NG	SERVICE DOOR FRONT, CONTROL (M2, M3, M5, M6, M7, M8, M9, M21)			
NS	0130L00057	SHAFT, CUT (M6, M7, M8, M10, M16, M17, M19, M20, M21, M22, M24, M28)			