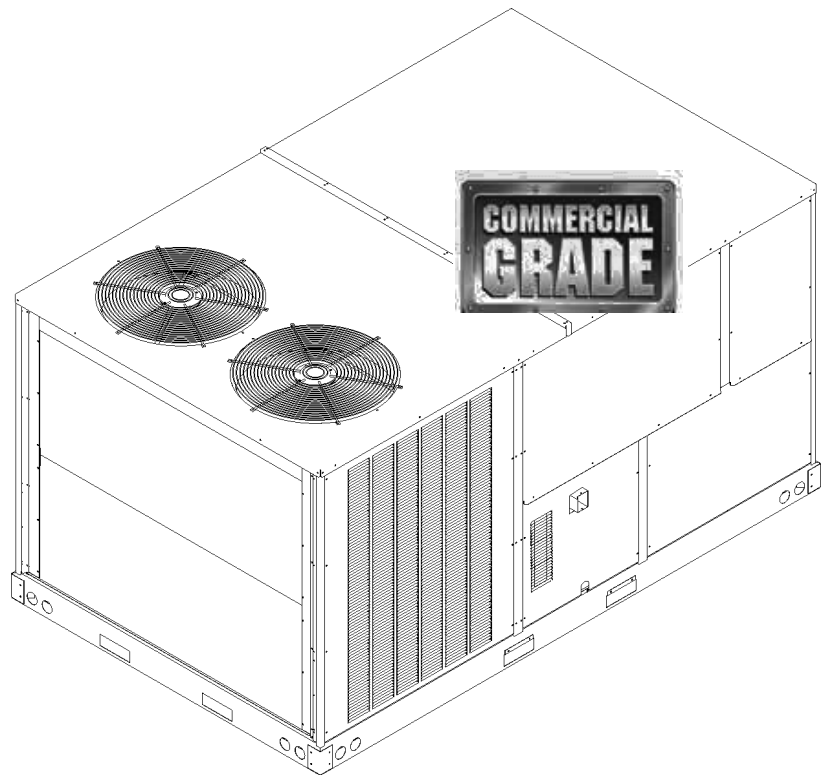


Commercial 7.5 Ton Package Gas Unit

DCG0902107BJXAAA
DCG0902103BAXAAA
DCG0902103BAXAAB
DCG0902103BAXXAA
DCG0902103BAXXAB
DCG0902103BHAXAA
DCG0902103BHXAAB
DCG0902103BHXBAA
DCG0902103BHXBAB
DCG0902103BHXXAA
DCG0902103BHXXAB
DCG0902103BJXNAB
DCG0902103BXXHAA
DCG0902103BXXHAB
DCG0902103BXXNAA
DCG0902103BXXXAA
DCG0902103BXXXAB
DCG0902104BJXGAB
DCG0902104BJXGAC
DCG0902104BJXNAB
DCG0902104BJXNAC
DCG0902104BXXMAB
DCG0902104BXXXAA
DCG0902104BXXXAB
DCG0902104BXXXAC
DCG0902107BJXAAB
DCG0902107BXSXAA
DCG0902107BXSXAB
DCG0902107BXXXAA
DCG0902107BXXXAB



This manual is to be used by qualified technicians only.

This manual replaces RP-D1007C.

Important Information

Index

Functional Parts List	3
Illustration and Parts	4 - 19

Views shown are for parts illustrations only, not servicing procedures

Text Codes:

AR - As Required

NA - Not Available

NS - Not Shown

00000000 - See Note

QTY - Quantity Example (QTY 3) (If Quantity not shown, Quantity = 1)

M - Model Example (M1) (If M Code not shown, then part is used on all Models)

Expanded Model Nomenclature:

Example M1 - Model#1 M2 - Model#2 M3 - Model#3

Daikin Company, L.P. is not responsible for personal injury or property damage resulting from improper service. Review all service information before beginning repairs.

Warranty service must be performed by an authorized technician, using authorized factory parts. If service is required after the warranty expires, Daikin Company, L.P. also recommends contacting an authorized technician and using authorized factory parts.

Daikin Company, L.P. reserves the right to discontinue, or change at any time, specifications or designs without notice or without incurring obligations.

For assistance within the U.S.A. contact:

Consumer Affairs Department
Daikin North America, LLC
7401 Security Way
Houston, Texas 77040
855-770-5678-Telephone
713-863-2382-Facsimile

For assistance outside the U.S.A. contact:

International Division
Daikin North America, LLC
7401 Security Way
Houston, Texas 77040
713-861-2500-Telephone
713-863-2382-Facsimile

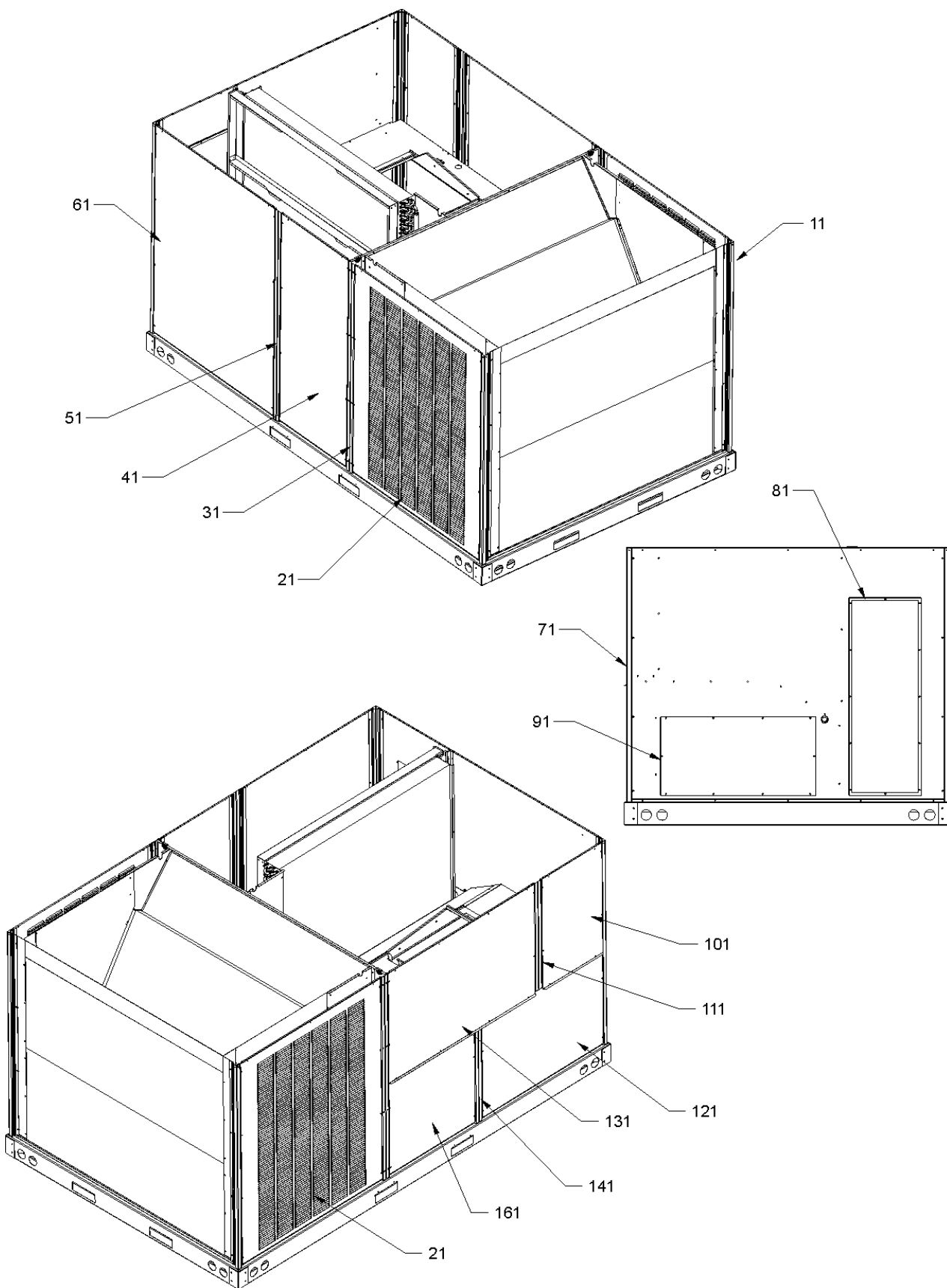
Functional Parts

Part

No: **Description:**

Part No:	Description:	Expanded Model Nomenclature
0130M00025	24V RELAY	M1 - DCG0902103BAXAAA
0130M00242	24V RELAY (QTY 2)	M2 - DCG0902103BAXAAB
B3240007	BELT DRIVE MOTOR 1.5 HP (M1, M2, M3, M4, M5, M6, M7, M8, M9, M10, M11, M12, M13, M14, M15, M16, M17, M18, M19, M20, M21, M22, M23, M24)	M3 - DCG0902103BAXXAA
0131L00004	BELT DRIVE MOTOR 1.5 HP 575V (M25, M26, M27, M28, M29, M30)	M4 - DCG0902103BAXXAB
03-77429	BLOWER WHEEL	M5 - DCG0902103BHAXAA
CAP030000440LA	CAPACITOR 3/440V (M26, M28, M30)	M6 - DCG0902103BHAXAB
CAP050000370LA	CAPACITOR 5/370V (M1, M2, M3, M4, M5, M6, M7, M8, M9, M10, M11, M12, M13, M14, M15, M16, M22, M25, M27, M29)	M7 - DCG0902103BHXBAA
CAP075000370LA	CAPACITOR 7.5/370V (M17, M18, M19, M20, M21, M23, M24)	M8 - DCG0902103BHXBAB
ZP39K5ETF5130	COMPRESSOR 39000, 200/230/60/3 (M1, M2, M3, M4, M5, M6, M7, M8, M9, M10, M11, M12, M13, M14, M15, M16)	M9 - DCG0902103BHXXAA
ZP39K5ETFD130	COMPRESSOR 39000, 460/60/3 (M17, M18, M19, M20, M21, M22, M23, M24)	M10 - DCG0902103BHXXAB
ZP39K5ETFE130	COMPRESSOR 39000, 575/60/3 (M25, M26, M27, M28, M29, M30)	M11 - DCG0902103BJXNAB
0131M00429	COND MOTOR 1/4 HP, 1 SP, 6 PL (M1, M2, M3, M4, M5, M6, M7, M8, M9, M10, M11, M12, M13, M14, M15, M16)	M12 - DCG0902103BXXHAA
B13400269	COND MOTOR 380/460 50/60 CYCLE (M22)	M13 - DCG0902103BXXHAB
0131M00432	COND MOTOR 380/460/50/60 CYCLE (M17, M18, M19, M20, M21, M23, M24)	M14 - DCG0902103BXXNAA
0131M00431	COND MOTOR 575V (M26, M28, M30)	M15 - DCG0902103BXXXAA
0131M00098	COND MOTOR 575V (M25, M27, M29)	M16 - DCG0902103BXXXAB
CONT3P025024V	CONTACTOR 25 AMP, 3P, 24V (QTY 3)	M17 - DCG0902104BJXGAB
0130M00030	CUT-OUT SWITCH, HIGH PRESSURE	M18 - DCG0902104BJXGAC
0130M00031	CUT-OUT SWITCH, HIGH PRESSURE	M19 - DCG0902104BJXNAB
0130L00002	CUT-OUT SWITCH, LOW PRESSURE	M20 - DCG0902104BJXNAC
0130L00003	CUT-OUT SWITCH, LOW PRESSURE	M21 - DCG0902104BXXMAB
0150G00001	FAN BLADE (QTY 2)	M22 - DCG0902104BXXXAA
0130F00010	FLAME SENSOR	M23 - DCG0902104BXXXAB
0151L00000	GAS VALVE (36H)	M24 - DCG0902104BXXXAC
PCBAG123	IGNITION BOARD, DSI INTEGRATED	M25 - DCG0902107BJXAAA
20261709	IGNITOR	M26 - DCG0902107BJXAAB
10123532	MANUAL RESET LIMIT 350°F	M27 - DCG0902107BXSXAA
0164L00000	NOTCHED FAN BELT AX51	M28 - DCG0902107BXSXAB
11112501	PRESSURE SWITCH	M29 - DCG0902107BXXXAA
0130F00036	PRIMARY LIMIT - PINK	M30 - DCG0902107BXXXAB
B1370199	PRIMARY LIMIT SWITCH 190°F	
0130M00038	TERMINAL BOARD	
0130M00144	TRANSFORMER (M1, M2, M3, M4, M5, M6, M7, M8, M9, M10, M11, M12, M13, M14, M15, M16)	
0130M00146	TRANSFORMER 480V TO 230V, 150VA (M17, M18, M19, M20, M21, M22, M23, M24)	
0130M00145	TRANSFORMER 480V to 24V, 75VA (M17, M18, M19, M20, M21, M22, M23, M24)	
0130M00147	TRANSFORMER 575V TO 230V, 150VA (M25, M26, M27, M28, M29, M30)	
0130M00148	TRANSFORMER 575V to 24V, 75VA (M25, M26, M27, M28, M29, M30)	
0131L00002	VENT MOTOR	

Cabinet Assy



Cabinet Assy

Ref. Part No: No:	Description:	Ref. Part No: No:	Description:
-------------------	--------------	-------------------	--------------

Image 1:

11	0121L00065RFNG	CORNER POST (QTY 4)
21	0121L00511NG	LOUVERED SIDE PANEL (QTY 2)
31	0121L00738RFNG	ROLL FORM SIDE POST (QTY 2)
41	0121L00767NG	HEAT EXCHANGE DOOR
51	0121L00739RFNG	FILTER DOOR POST
61	0121L00510NG	ECONOMIZER DOOR
71	0121L01364NG	DUCT PANEL
81	0121L00082NG	RETURN DUCT COVER
91	0121L00099NG	SUPPLY DUCT COVER
101	0121L00974NG	CONTROL DOOR
111	0121L00762RFNG	CONTROL BOX POST
121	0121L00767NG	ELECTRIC HEAT DOOR
131	0121L00763NG	BLOWER DOOR
141	0121L00765RFNG	BURNER BOX POST
161	0121L00766NG	BURNER DOOR
NS	0121L00129	DOOR RAIN SHIELD
NS	0164L00009	GASKET-RUBBER, CPOST (QTY 3)
NS	0164L00011	GASKET-RUBBER, SIDE POST (QTY 4)

Expanded Model Nomenclature

- M1 - DCG0902103BAXAAA
- M2 - DCG0902103BAXAAB
- M3 - DCG0902103BAXXAA
- M4 - DCG0902103BAXXAB
- M5 - DCG0902103BHAXAA
- M6 - DCG0902103BHAXAB
- M7 - DCG0902103BHXBAA
- M8 - DCG0902103BHXBAB
- M9 - DCG0902103BHXXAA
- M10 - DCG0902103BHXXAB
- M11 - DCG0902103BJXNAB
- M12 - DCG0902103BXXHAA
- M13 - DCG0902103BXXHAB
- M14 - DCG0902103BXXNAA
- M15 - DCG0902103BXXXAA
- M16 - DCG0902103BXXXAB
- M17 - DCG0902104BJXGAB
- M18 - DCG0902104BJXGAC
- M19 - DCG0902104BJXNAB
- M20 - DCG0902104BJXNAC
- M21 - DCG0902104BXXMAB
- M22 - DCG0902104BXXXAA
- M23 - DCG0902104BXXXAB
- M24 - DCG0902104BXXXAC
- M25 - DCG0902107BJXAAA
- M26 - DCG0902107BJXAAB
- M27 - DCG0902107BXSXAA
- M28 - DCG0902107BXSXAB
- M29 - DCG0902107BXXXAA
- M30 - DCG0902107BXXXAB

Top Panel/Tubing Assy

Image 1

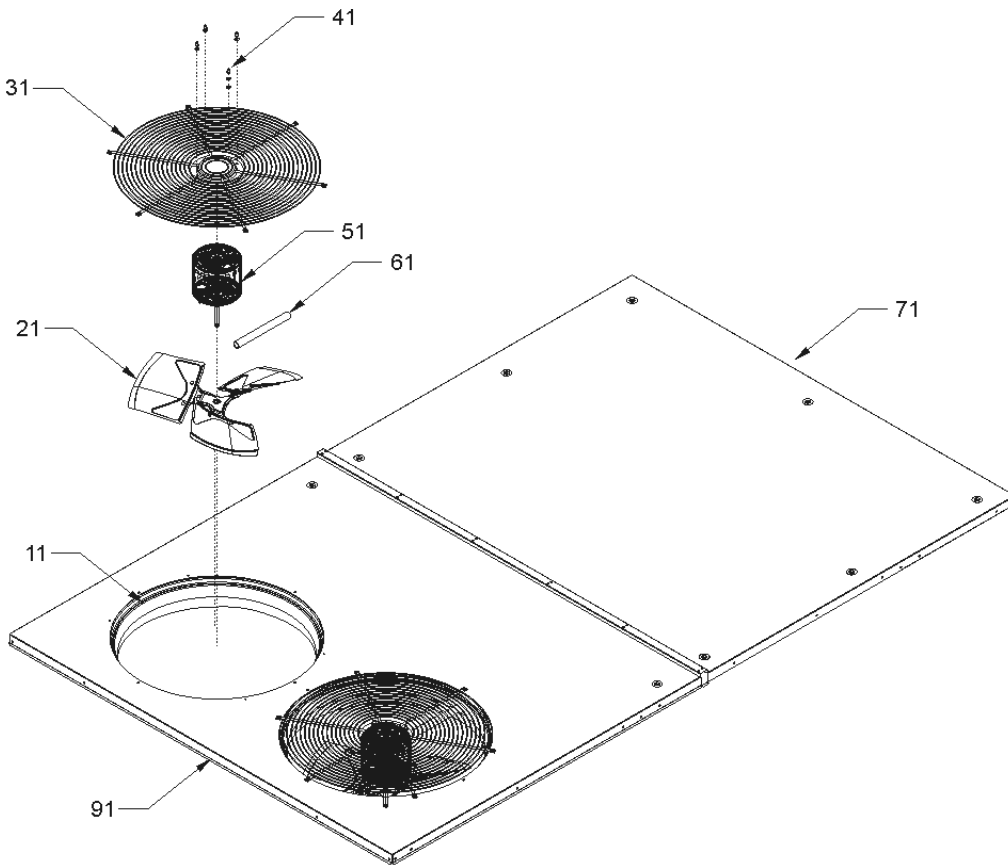
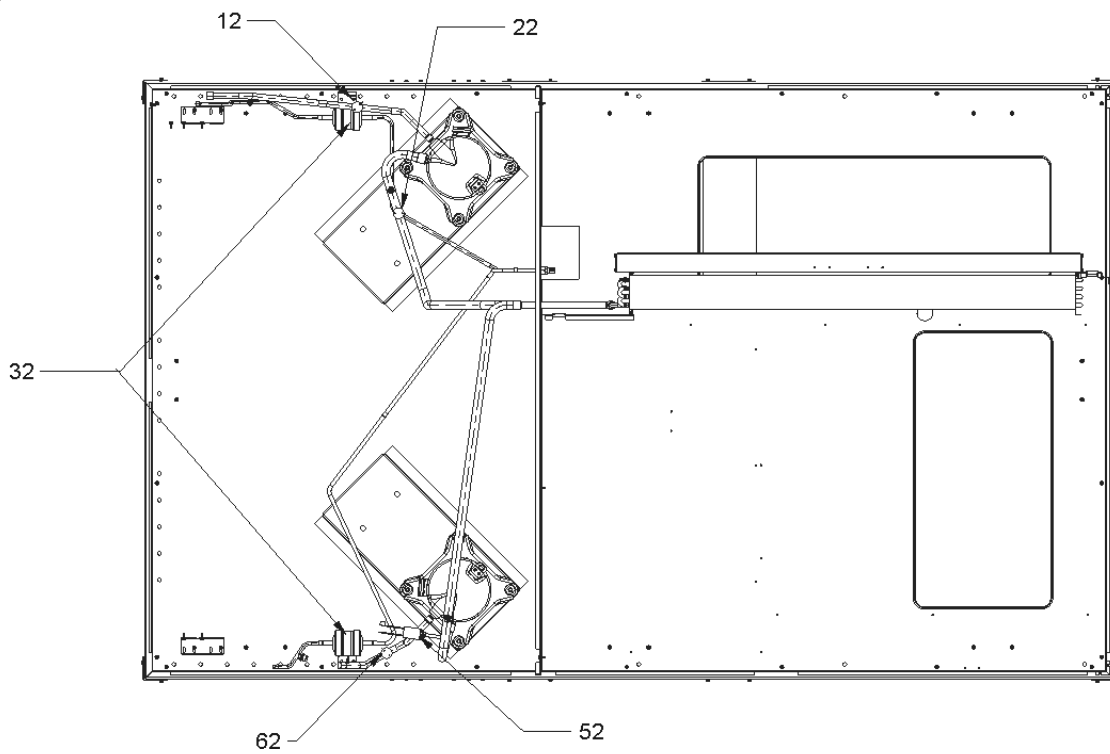


Image 2



Top Panel/Tubing Assy

**Ref. Part
No: No:**

Description:

**Ref. Part
No: No:**

Description:

Image 1:

11	0161L00000	VENTURI RING 22" (QTY 2)
21	0150G00001	FAN BLADE (QTY 2)
31	0152G00003	FAN GRILLE (M22, M25, M27, M29)
31	0152G00000	FAN GRILLE, RAISED (M1, M2, M3, M4, M5, M6, M7, M8, M9, M10, M11, M12, M13, M14, M15, M16, M17, M18, M19, M20, M21, M23, M24, M26, M28, M30)
41	0163M00006P	ACORN NUT 5/16 HEX BLACK (QTY 8)
51	0131M00429	COND MOTOR 1/4 HP, 1 SP,6 PL (M1, M2, M3, M4, M5, M6, M7, M8, M9, M10, M11, M12, M13, M14, M15, M16)
51	B13400269	COND MOTOR 380/460 50/60 CYCLE (M22)
51	0131M00432	COND MOTOR 380/460/50/60 CYCLE (M17, M18, M19, M20, M21, M23, M24)
51	0131M00098	COND MOTOR 575V (M25, M27, M29)
51	0131M00431	COND MOTOR 575V (M26, M28, M30)
61	17788000083F	PVC CONDUIT 8.25" (QTY 2)
71	0121L00497NG	TOP INDOOR
91	0121L01105NG	TOP OUTDOOR
NS	B1373315	ACCESS FITTING (QTY 4)
NS	0163M00175	CAP WITH O-RING (QTY 4)
NS	0259L00025	COND MOTOR HARNESS 230V (M1, M2, M3, M4, M5, M6, M7, M8, M9, M10, M11, M12, M13, M14, M15, M16, M25, M26, M27, M28, M29, M30)
NS	0259L00027	COND MOTOR HARNESS 230V (M1, M2, M3, M4, M5, M6, M7, M8, M9, M10, M11, M12, M13, M14, M15, M16, M25, M26, M27, M28, M29, M30)
NS	0259L00026	COND MOTOR HARNESS 460V (M17, M18, M19, M20, M21, M22, M23, M24)
NS	0259L00028	COND MOTOR HARNESS 460V (M17, M18, M19, M20, M21, M22, M23, M24)
NS	0259L00008	MOTOR HARNESS-BELT DRIVE
NS	20455902	SPLICE GASKET .50 X .25 (QTY 5)

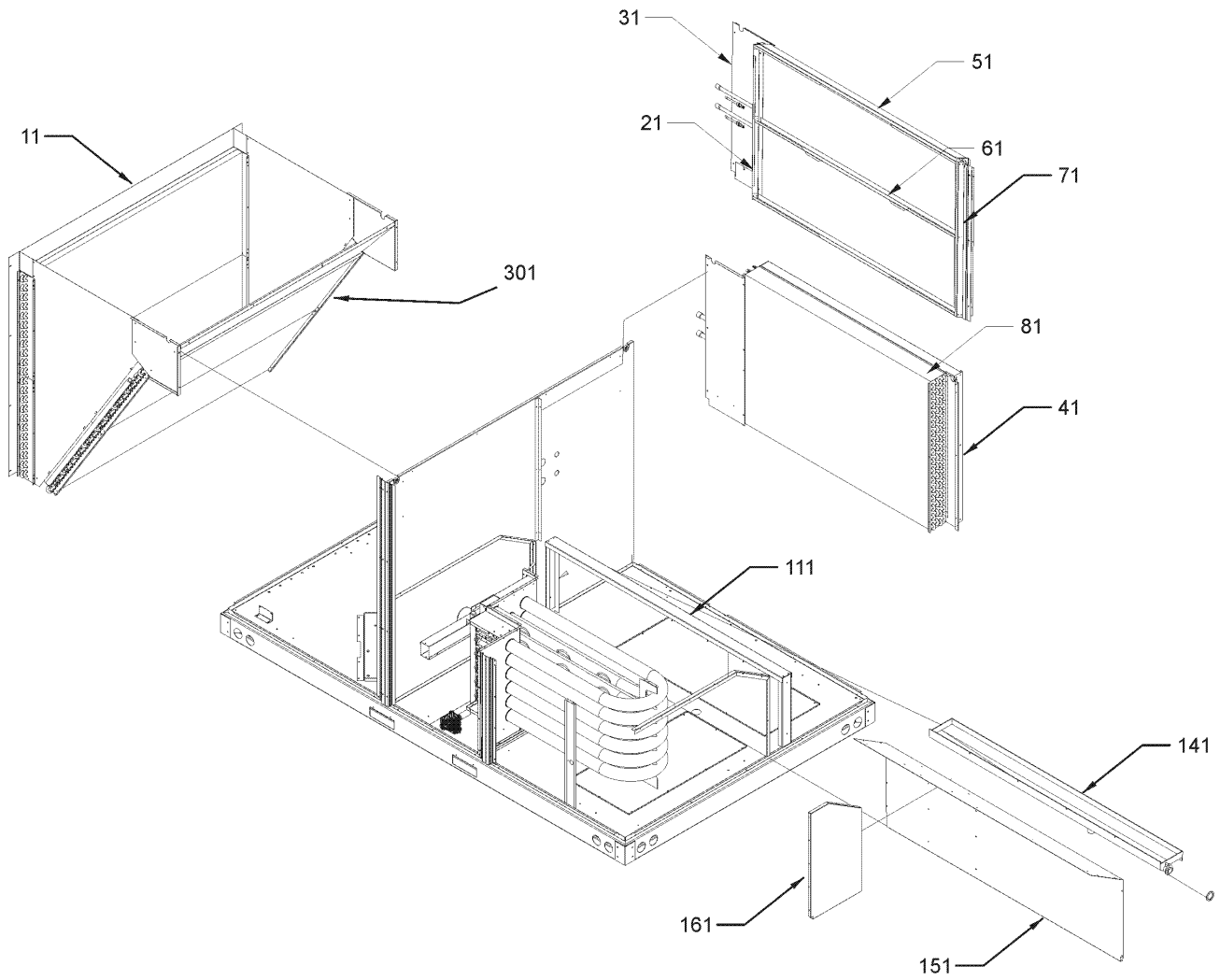
Image 2:

12	0130M00030	CUT-OUT SWITCH, HIGH PRESSURE
22	0130L00003	CUT-OUT SWITCH, LOW PRESSURE
32	B1219204	BI-FLOW FILTER DRIER
52	0130L00002	CUT-OUT SWITCH, LOW PRESSURE
62	0130M00031	CUT-OUT SWITCH, HIGH PRESSURE

Expanded Model Nomenclature

M1 - DCG0902103BAXAAA
M2 - DCG0902103BAXAAB
M3 - DCG0902103BAXXAA
M4 - DCG0902103BAXXAB
M5 - DCG0902103BHXAAA
M6 - DCG0902103BHXAAAB
M7 - DCG0902103BHXBAA
M8 - DCG0902103BHXBAB
M9 - DCG0902103BHXXAA
M10 - DCG0902103BHXXAB
M11 - DCG0902103BJXNAB
M12 - DCG0902103BXXHAA
M13 - DCG0902103BXXHAB
M14 - DCG0902103BXXNAA
M15 - DCG0902103BXXXAA
M16 - DCG0902103BXXXAB
M17 - DCG0902104BJXGAB
M18 - DCG0902104BJXGAC
M19 - DCG0902104BJXNAB
M20 - DCG0902104BJXNAC
M21 - DCG0902104BXXMAB
M22 - DCG0902104BXXXAA
M23 - DCG0902104BXXXAB
M24 - DCG0902104BXXXAC
M25 - DCG0902107BJXAAA
M26 - DCG0902107BJXAAB
M27 - DCG0902107BXSXAA
M28 - DCG0902107BXSXAB
M29 - DCG0902107BXXXAA
M30 - DCG0902107BXXXAB

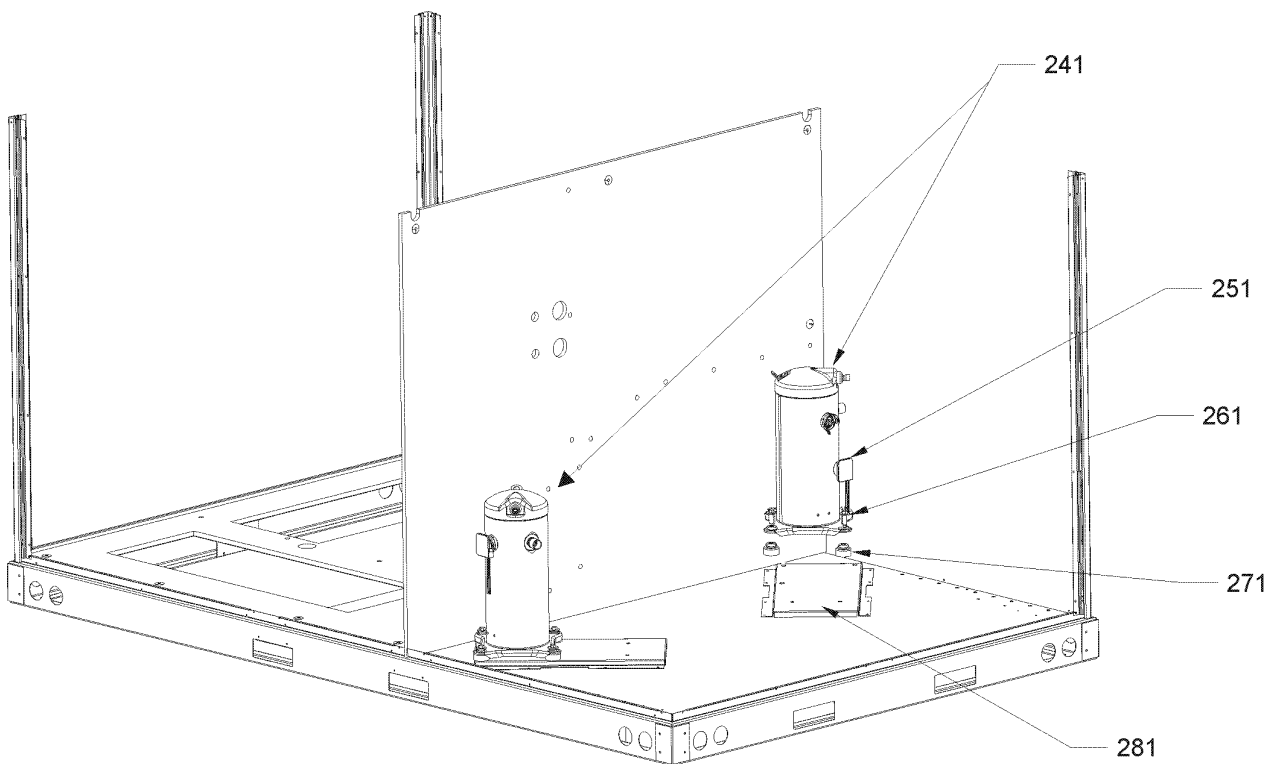
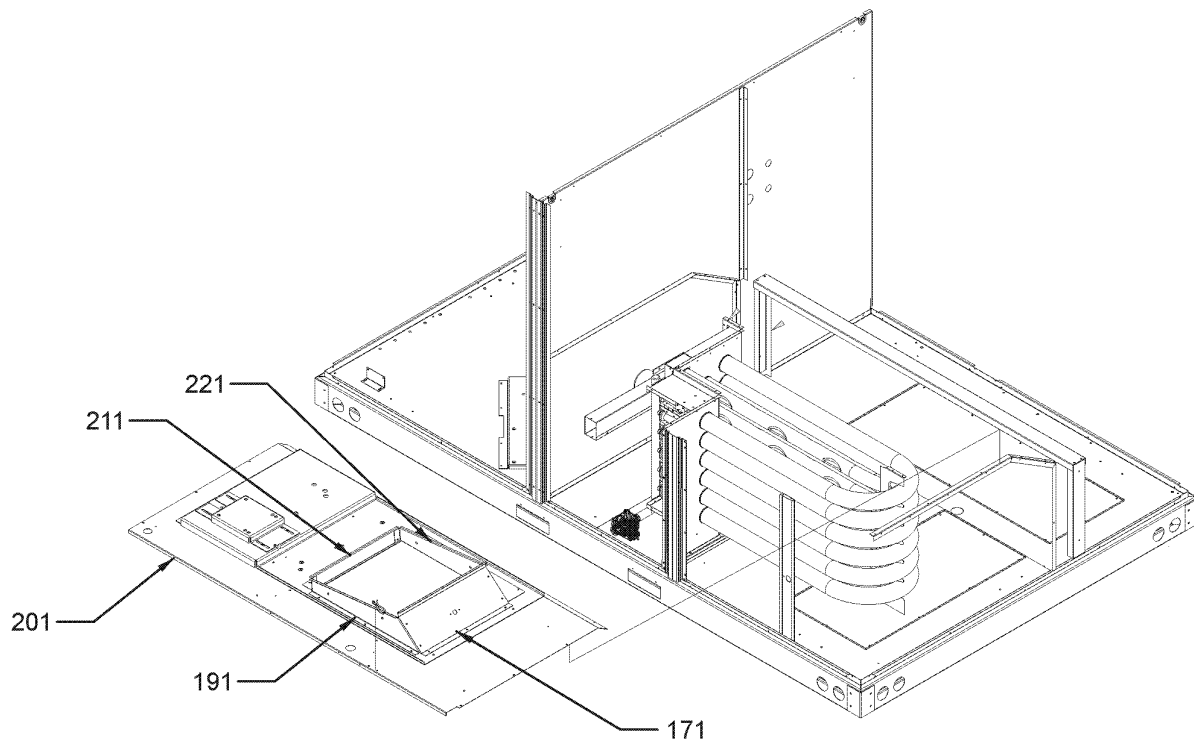
Partition Assy



Partition Assy

Ref. Part No:	Description:	Ref. Part No:	Description:
Image 1:		Expanded Model Nomenclature	
11	0201L00128	CONDENSER COIL ASSY, 5MM (M1, M3, M5, M7, M9, M12, M14, M15, M17, M19, M21, M22, M23, M25, M27, M29)	M1 - DCG0902103BAXAAA M2 - DCG0902103BAXAAB M3 - DCG0902103BAXXAA M4 - DCG0902103BAXXAB M5 - DCG0902103BHXAAA M6 - DCG0902103BHXAAB M7 - DCG0902103BHXBAA M8 - DCG0902103BHXBAB M9 - DCG0902103BHXXAA M10 - DCG0902103BHXXAB M11 - DCG0902103BJXNAB M12 - DCG0902103BXXHAA M13 - DCG0902103BXXHAB M14 - DCG0902103BXXNAA M15 - DCG0902103BXXXAA M16 - DCG0902103BXXXAB M17 - DCG0902104BJXGAB M18 - DCG0902104BJXGAC M19 - DCG0902104BJXNAB M20 - DCG0902104BJXNAC M21 - DCG0902104BXXMAB M22 - DCG0902104BXXXAA M23 - DCG0902104BXXXAB M24 - DCG0902104BXXXAC M25 - DCG0902107BJXAAA M26 - DCG0902107BJXAAB M27 - DCG0902107BXSXAA M28 - DCG0902107BXSXAB M29 - DCG0902107BXXXAA M30 - DCG0902107BXXXAB
11	0201L00209	CONDENSER COIL ASSY, 5MM (M2, M4, M6, M8, M10, M11, M13, M16, M18, M20, M24, M26, M28, M30)	
21	0121L00357	FILTER ANGLE-VERTICAL (RETURN SIDE)	
31	0121L00210	EVAP EXTENSION-RETURN SIDE	
41	0121L00844	EVAP EXTENSION-HAIRPIN SIDE	
51	0121L00932	FILTER ANGLE-HORIZONTAL (QTY 2)	
61	0121L01255	FILTER ANGLE-HORIZONTAL (CENTER)	
71	0121L00358	FILTER ANGLE-VERTICAL (HAIRPIN SIDE)	
81	0202L00066	TUBING ASSY, EVAP COIL (M1, M3, M5, M7, M9, M12, M14, M15, M17, M19, M21, M22, M23, M25, M27, M29)	
81	0202L00091	TUBING ASSY, EVAP COIL (M2, M4, M6, M8, M10, M11, M13, M16, M18, M20, M24, M26, M28, M30)	
111	0121L00508	DRAIN PAN SUPPORT	
141	0161L00002	DRAIN PAN	
151	0121L00374	DECK SIDE CHANNEL	
161	0121L00522	HEAT EXCHANGER BLOCK-OFF	
301	0201L00129	CONDENSER COIL ASSY, 5MM (M1, M3, M5, M7, M9, M12, M14, M15, M17, M19, M21, M22, M23, M25, M27, M29)	
301	0201L00210	CONDENSER COIL ASSY, 5MM (M2, M4, M6, M8, M10, M11, M13, M16, M18, M20, M24, M26, M28, M30)	

Partition Assy



Partition Assy

Ref. Part No:	Part No:	Description:	Ref. Part No:	Part No:	Description:
---------------	----------	--------------	---------------	----------	--------------

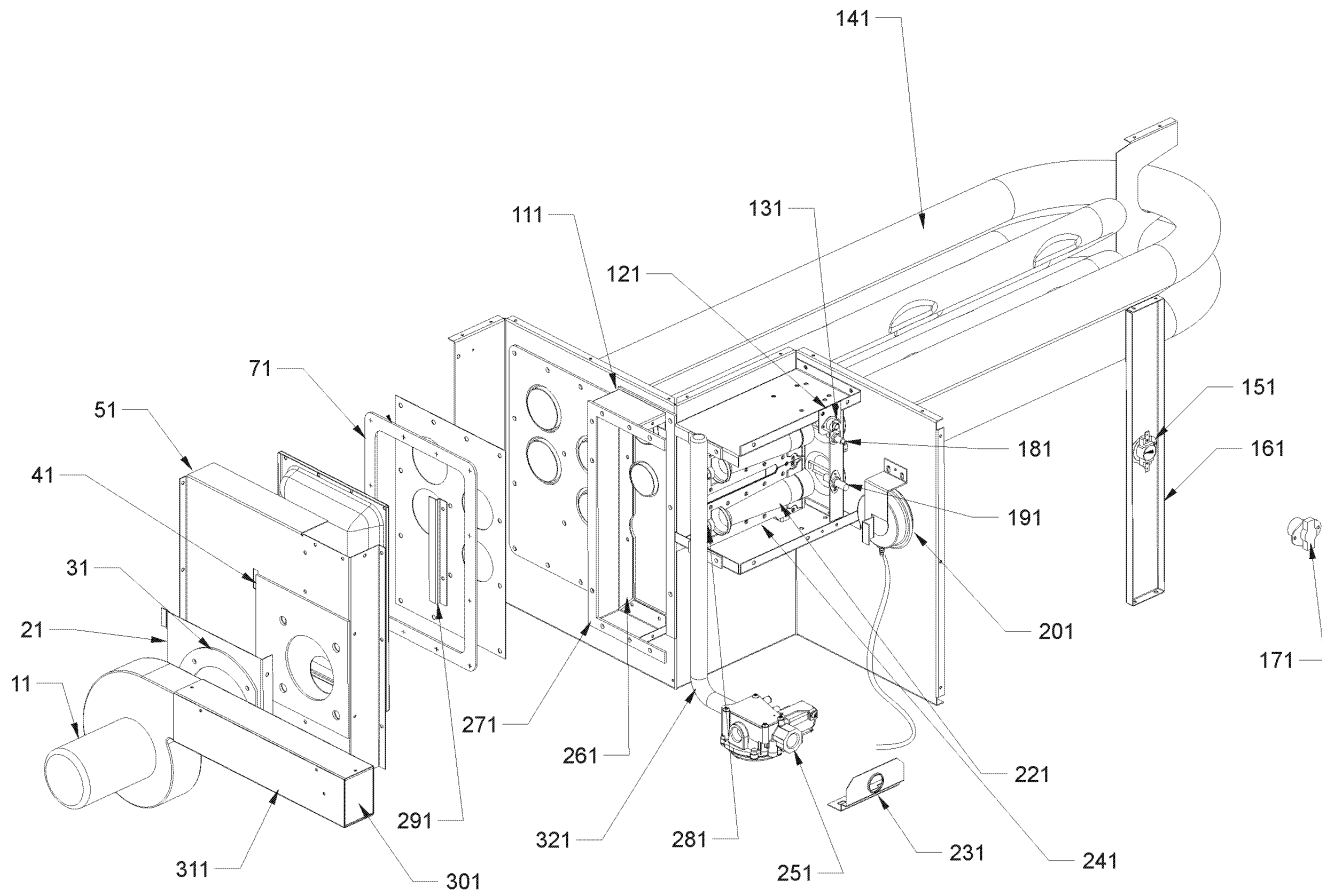
Image 1:

171	0121L00090	BLOWER TRANSITION, RH END
191	0121L00092	BLOWER TRANSITION, FRONT
201	0121L01204	BLOWER DECK
211	0121L00097	BLOWER TRANSITION, LH END
221	0121L00145	BLOWER TRANSITION, BACK
241	ZP39K5ETF5130	COMPRESSOR 39000, 200/230/60/3 (M1, M2, M3, M4, M5, M6, M7, M8, M9, M10, M11, M12, M13, M14, M15, M16)
241	ZP39K5ETFD130	COMPRESSOR 39000, 460/60/3 (M17, M18, M19, M20, M21, M22, M23, M24)
241	ZP39K5ETFE130	COMPRESSOR 39000, 575/60/3 (M25, M26, M27, M28, M29, M30)
251	0159L00004	COMPRESSOR SCROLL HARNESS
251	0159L00005	COMPRESSOR SCROLL HARNESS
261	M0221641	TF SHOULDER SCREW (QTY 8)
271	B1339533	COMPRESSOR GROMMET (QTY 8)
281	0121L00408	COMPRESSOR MOUNTING PLATE (QTY 2)
NS	B1369608	AIR FILTER 20 X 16 X 2 (QTY 4)

Expanded Model Nomenclature

- M1 - DCG0902103BAXAAA
- M2 - DCG0902103BAXAAB
- M3 - DCG0902103BAXXAA
- M4 - DCG0902103BAXXAB
- M5 - DCG0902103BHAXAA
- M6 - DCG0902103BHAXAB
- M7 - DCG0902103BHXBAA
- M8 - DCG0902103BHXBAB
- M9 - DCG0902103BHXXAA
- M10 - DCG0902103BHXXAB
- M11 - DCG0902103BJXNAB
- M12 - DCG0902103BXXHAA
- M13 - DCG0902103BXXHAB
- M14 - DCG0902103BXXNAA
- M15 - DCG0902103BXXXAA
- M16 - DCG0902103BXXXAB
- M17 - DCG0902104BJXGAB
- M18 - DCG0902104BJXGAC
- M19 - DCG0902104BJXNAB
- M20 - DCG0902104BJXNAC
- M21 - DCG0902104BXXMAB
- M22 - DCG0902104BXXXAA
- M23 - DCG0902104BXXXAB
- M24 - DCG0902104BXXXAC
- M25 - DCG0902107BJXAAA
- M26 - DCG0902107BJXAAB
- M27 - DCG0902107BXSXAA
- M28 - DCG0902107BXSXAB
- M29 - DCG0902107BXXXAA
- M30 - DCG0902107BXXXAB

Heat Exchanger Assy



Heat Exchanger Assy

**Ref. Part
No: No:**

Description:

**Ref. Part
No: No:**

Description:

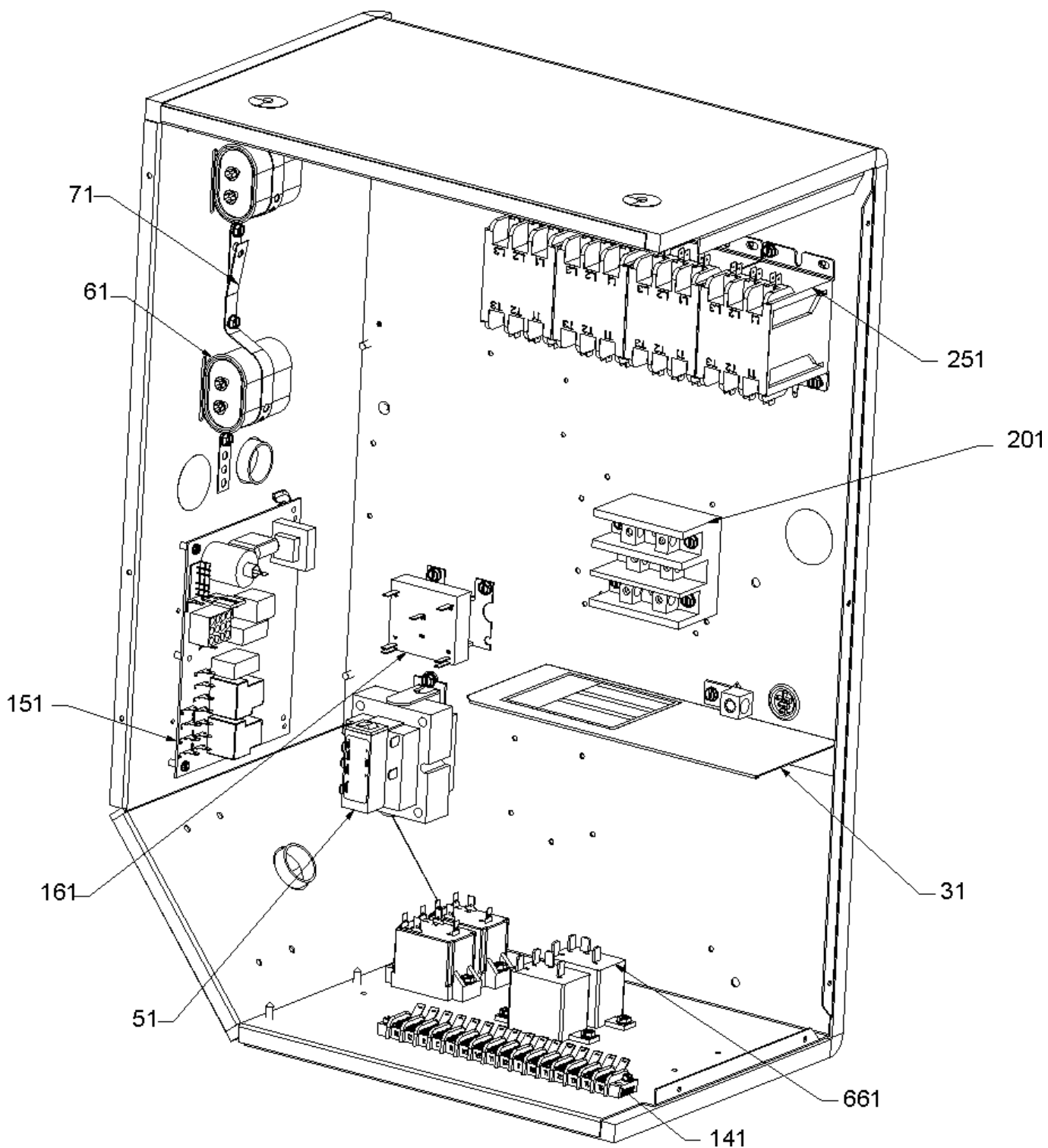
Image 1:

11	0131L00002	VENT MOTOR
21	0121L00080	MOUNTING PLATE-ID BLOWER
31	0154L00007	GASKET, BLOWER/ORIFICE PLATE
41	0154L00006	GASKET, COLLECTOR/ORIFICE PLATE
51	0121L00077	COLLECTOR BOX COVER
71	0154L00010	REAR COVER GASKET, HEAT EXCHANGER
111	0121L00076	COLLECTOR BOX CHANNEL
121	0121L00323	FLAME ROLLOUT BRACKET
131	10123532	MANUAL RESET LIMIT 350°F
141	0270L00043	HEAT EXCHANGER ASSY 6B (M1, M2, M3, M4, M5, M6, M7, M8, M9, M10, M11, M12, M13, M14, M15, M16, M17, M18, M19, M20, M21, M22, M23, M24, M25, M26, M29, M30)
141	0270L00171	HEAT EXCHANGER ASSY 6B (M27, M28)
151	B1370199	PRIMARY LIMIT SWITCH 190°F
161	0121L00093	LIMIT SWITCH POST
171	0130F00036	PRIMARY LIMIT - PINK
181	0130F00010	FLAME SENSOR
191	20261709	IGNITOR
201	11112501	PRESSURE SWITCH
221	0163L00000	BECKETT BURNER (QTY 6)
231	0121L00147	PIPE BRACKET-GAS VALVE
241	0121L00075	BURNER BRACKET 6B
251	0151L00000	GAS VALVE (36H)
261	0154L00011	INNER GASKET, COLLECTOR BOX
271	0154L00012	OUTER GASKET, COLLECTOR BOX
281	0163L00007	ORIFICE #34 DRILL (QTY 6)
291	0121L00073	TUBE RESTRICTOR
301	0163L00006	FLUE SCREEN
311	0121L00049	HEAT EXCHANGER FLUE (QTY 2)
321	0163L00010	MANIFOLD - 6 BRNR
NS	0121L00130NG	FLUE COLLAR
NS	B1392609	SEAL STRIP, RED, 1/8 X 1/2 X 100 (QTY 3)

Expanded Model Nomenclature

M1 - DCG0902103BAXAAA
M2 - DCG0902103BAXAAB
M3 - DCG0902103BAXXAA
M4 - DCG0902103BAXXAB
M5 - DCG0902103BHXAAA
M6 - DCG0902103BHXAAB
M7 - DCG0902103BHXBAA
M8 - DCG0902103BHXBAB
M9 - DCG0902103BHXXAA
M10 - DCG0902103BHXXAB
M11 - DCG0902103BJXNAB
M12 - DCG0902103BXXHAA
M13 - DCG0902103BXXHAB
M14 - DCG0902103BXXNAA
M15 - DCG0902103BXXXAA
M16 - DCG0902103BXXXAB
M17 - DCG0902104BJXGAB
M18 - DCG0902104BJXGAC
M19 - DCG0902104BJXNAB
M20 - DCG0902104BJXNAC
M21 - DCG0902104BXXMAB
M22 - DCG0902104BXXXAA
M23 - DCG0902104BXXXAB
M24 - DCG0902104BXXXAC
M25 - DCG0902107BJXAAA
M26 - DCG0902107BJXAAB
M27 - DCG0902107BXSXAA
M28 - DCG0902107BXSXAB
M29 - DCG0902107BXXXAA
M30 - DCG0902107BXXXAB

Control Box Assy



Control Box Assy

Ref. Part No:	Description:	Ref. Part No:	Description:
Image 1:		Expanded Model Nomenclature	
31	0121G00491 VOLTAGE BARRIER	M1	- DCG0902103BAXAAA
51	0130M00144 TRANSFORMER (M1, M2, M3, M4, M5, M6, M7, M8, M9, M10, M11, M12, M13, M14, M15, M16)	M2	- DCG0902103BAXAAB
51	0130M00145 TRANSFORMER 480V to 24V, 75VA (M17, M18, M19, M20, M21, M22, M23, M24)	M3	- DCG0902103BAXXAA
51	0130M00148 TRANSFORMER 575V to 24V, 75VA (M25, M26, M27, M28, M29, M30)	M4	- DCG0902103BAXXAB
61	CAP030000440LA CAPACITOR 3/440V (M26, M28, M30)	M5	- DCG0902103BHXAAA
61	CAP050000370LA CAPACITOR 5/370V (M1, M2, M3, M4, M5, M6, M7, M8, M9, M10, M11, M12, M13, M14, M15, M16, M22, M25, M27, M29)	M6	- DCG0902103BHX AAB
61	CAP075000370LA CAPACITOR 7.5/370V (M17, M18, M19, M20, M21, M23, M24)	M7	- DCG0902103BHX BAA
71	20520901 CAPACITOR STRAP (QTY 2)	M8	- DCG0902103BHX BAB
141	0130M00038 TERMINAL BOARD	M9	- DCG0902103BHXXAA
151	PCBAG123 IGNITION BOARD, DSI INTEGRATED	M10	- DCG0902103BHXXAB
161	0130M00025 24V RELAY	M11	- DCG0902103BJXNAB
201	16330-3 POWER BLOCK	M12	- DCG0902103BXXHAA
251	CONT3P025024V CONTACTOR 25 AMP, 3P, 24V (QTY 3)	M13	- DCG0902103BXXHAB
661	0130M00242 24V RELAY (QTY 2)	M14	- DCG0902103BXXNAA
NS	0130M00146 TRANSFORMER 480V TO 230V, 150VA (M17, M18, M19, M20, M21, M22, M23, M24)	M15	- DCG0902103BXXXAA
NS	0130M00147 TRANSFORMER 575V TO 230V, 150VA (M25, M26, M27, M28, M29, M30)	M16	- DCG0902103BXXXAB
		M17	- DCG0902104BJXGAB
		M18	- DCG0902104BJXGAC
		M19	- DCG0902104BJXNAB
		M20	- DCG0902104BJXNAC
		M21	- DCG0902104BXXMAB
		M22	- DCG0902104BXXXAA
		M23	- DCG0902104BXXXAB
		M24	- DCG0902104BXXXAC
		M25	- DCG0902107BJXAAA
		M26	- DCG0902107BJXAAB
		M27	- DCG0902107BXSXAA
		M28	- DCG0902107BXSXAB
		M29	- DCG0902107BXXXAA
		M30	- DCG0902107BXXXAB

Belt Drive Blower/Motor Assy

Ref. Part No: No:	Description:	Ref. Part No: No:	Description:
<i>Image 1:</i>		Expanded Model Nomenclature	
21	0163L00011	FIXED SHEAVE AK74	M1 - DCG0902103BAXAAA
31	B1398604	STEEL KEY (000158812) 2.0"	M2 - DCG0902103BAXAAB
41	0164L00000	NOTCHED FAN BELT AX51	M3 - DCG0902103BAXXAA
51	0163L00024	VARIABLE PITCH SHEAVE 1VL40 X 5/8" (M25, M26, M27, M28, M29, M30)	M4 - DCG0902103BAXXAB
51	0163L00012	VARIABLE PITCH SHEAVE VL40 (M1, M2, M3, M4, M5, M6, M7, M8, M9, M10, M11, M12, M13, M14, M15, M16, M17, M18, M19, M20, M21, M22, M23, M24)	M5 - DCG0902103BHAXAA
61	0270L00015	MOTOR BASE ASSY	M6 - DCG0902103BHAXAAB
71	0163M00045	BOLT 1/4-20 X 4"	M7 - DCG0902103BHXBAA
81	3225000F	BELT TIGHTENER ANGLE	M8 - DCG0902103BHXBAB
91	B1446707	SCREW 5/16-18 X 1" (QTY 4)	M9 - DCG0902103BHXXAA
101	B1393726	ELECT. CONNECTING BUSHING	M10 - DCG0902103BHXXAB
111	B3240007	BELT DRIVE MOTOR 1.5 HP (M1, M2, M3, M4, M5, M6, M7, M8, M9, M10, M11, M12, M13, M14, M15, M16, M17, M18, M19, M20, M21, M22, M23, M24)	M11 - DCG0902103BJXNAB
111	0131L00004	BELT DRIVE MOTOR 1.5 HP 575V (M25, M26, M27, M28, M29, M30)	M12 - DCG0902103BXXHAA
121	B1393738	BOLT 1/4-20 X 3/4" (QTY 4)	M13 - DCG0902103BXXHAB
131	03-77429	BLOWER WHEEL	M14 - DCG0902103BXXNAA
141	04-11525	BLOWER SHAFT	M15 - DCG0902103BXXXAA
151	04-01525	BLOWER HOUSING	M16 - DCG0902103BXXXAB
NS	04-02196	BLOWER BEARING & FRAME ASSY	M17 - DCG0902104BJXGAB
			M18 - DCG0902104BJXGAC
			M19 - DCG0902104BJXNAB
			M20 - DCG0902104BJXNAC
			M21 - DCG0902104BXXMAB
			M22 - DCG0902104BXXXAA
			M23 - DCG0902104BXXXAB
			M24 - DCG0902104BXXXAC
			M25 - DCG0902107BJXAAA
			M26 - DCG0902107BJXAAB
			M27 - DCG0902107BXSXAA
			M28 - DCG0902107BXSXAB
			M29 - DCG0902107BXXXAA
			M30 - DCG0902107BXXXAB

ACCESSORY PARTS LIST

Accessory Parts List

Ref. Part No: No:	Description:	Ref. Part No: No:	Description:
<i>Image 1:</i>		Expanded Model Nomenclature	
NS 0121L00316	BRACKET-CONV OUTLET MOUNT (M1, M2, M5, M6, M7, M8, M11, M12, M13, M14, M17, M18, M19, M20, M21, M25, M26)	M1 - DCG0902103BAXAAA	
NS 0121L00768	BRACKET-SMOKE DETECTOR (M12, M13)	M2 - DCG0902103BAXAAB	
NS 0130M00065	CIRCUIT BREAKER, CONVENIENCE OUTLET (M7, M8, M11, M14, M19, M20, M21)	M3 - DCG0902103BAXXAA	
NS 0130L00012	GANG BOX-GFCI OUTLET (M1, M2, M5, M6, M7, M8, M11, M12, M13, M14, M17, M18, M19, M20, M21, M25, M26)	M4 - DCG0902103BAXXAB	
NS 0130L00039	HANDLE, ROTARY (M9, M10)	M5 - DCG0902103BHXAAA	
NS LAKT03	LOW AMBIENT KIT (M21)	M6 - DCG0902103BHXAAAB	
NS 0161G00012	POWER OUTLET BOX (M1, M2, M5, M6, M7, M8, M11, M12, M13, M14, M17, M18, M19, M20, M21, M25, M26)	M7 - DCG0902103BHXBAA	
NS 0130L00103	RECEPTACLE-GFCI OUTLET (M1, M2, M5, M6, M7, M8, M11, M12, M13, M14, M17, M18, M19, M20, M21, M25, M26)	M8 - DCG0902103BHXBAB	
NS 0130L00057	SHAFT, CUT (M9, M10)	M9 - DCG0902103BHXXAA	
NS 0121L00321	SMOKE DETECTOR COVER (M12, M13)	M10 - DCG0902103BHXXAB	
NS D4120	SMOKE DETECTOR, PHOTO 4WIRE (M12, M13)	M11 - DCG0902103BJXNAB	
NS 0130L00046	SWITCH-DISCONNECT 60A (M9, M10)	M12 - DCG0902103BXXHAA	
NS 0130M00061	TRANSFORMER, CONVENIENCE OUTLET (M7, M8, M11, M14, M19, M20, M21)	M13 - DCG0902103BXXHAB	
		M14 - DCG0902103BXXNAA	
		M15 - DCG0902103BXXXAA	
		M16 - DCG0902103BXXXAB	
		M17 - DCG0902104BJXGAB	
		M18 - DCG0902104BJXGAC	
		M19 - DCG0902104BJXNAB	
		M20 - DCG0902104BJXNAC	
		M21 - DCG0902104BXXMAB	
		M22 - DCG0902104BXXXAA	
		M23 - DCG0902104BXXXAB	
		M24 - DCG0902104BXXXAC	
		M25 - DCG0902107BJXAAA	
		M26 - DCG0902107BJXAAB	
		M27 - DCG0902107BXSXAA	
		M28 - DCG0902107BXSXAB	
		M29 - DCG0902107BXXXAA	
		M30 - DCG0902107BXXXAB	