

Commercial 6 Ton High Static 2-Speed Package Gas Units

DCG0720904WMKGAA
DCG0721153WHDGAA
DCG0721153WRKBAA
DCG0721403WMXXAA
DCG0721403WVDCAA
DCG0721403WWDCAA
DCG0721403WWXVAA
DCG0721403WXSXAA
DCG0721403WXXDAA
DCG0721403WXXEAA
DCG0721403WXXXAA
DCG0721404WMKGAA
DCG0721404WMSBAA
DCG0721404WWXDAA
DCG0721407WVXXAA
DCG0721407WXXXAA



This manual is to be used by qualified technicians only.

This manual replaces RP-D1217E.

Important Information

Index

Functional Parts List	3
Illustration and Parts	4 - 17

Views shown are for parts illustrations only, not servicing procedures

Text Codes:

AR - As Required

NA - Not Available

NS - Not Shown

00000000 - See Note

QTY - Quantity Example (QTY 3) (If Quantity not shown, Quantity = 1)

M - Model Example (M1) (If M Code not shown, then part is used on all Models)

Expanded Model Nomenclature:

Example M1 - Model#1 M2 - Model#2 M3 - Model#3

Daikin Company, L.P. is not responsible for personal injury or property damage resulting from improper service. Review all service information before beginning repairs.

Warranty service must be performed by an authorized technician, using authorized factory parts. If service is required after the warranty expires, Daikin Company, L.P. also recommends contacting an authorized technician and using authorized factory parts.

Daikin Company, L.P. reserves the right to discontinue, or change at any time, specifications or designs without notice or without incurring obligations.

For assistance within the U.S.A. contact:

Equipment Support
Daikin North America, LLC
19001 Kermier Road
Waller, Texas 77484
855-770-5678-Telephone
713-863-2382-Facsimile

For assistance outside the U.S.A. contact:

International Division
Daikin North America, LLC
19001 Kermier Road
Waller, Texas 77484
713-861-2500-Telephone
713-863-2382-Facsimile

Functional Parts

Part

No: Description:

Part No:	Description:	
0130M00025	24V RELAY	0130M00595 TRANSFORMER, 75VA, 480V TO 24V (M1, M12, M13)
10735102	BECKETT BURNER (QTY 4)	0130M00598 TRANSFORMER, 75VA, 575V TO 24V (M15, M16)
B1368056	BELT DRIVE BLOWER WHEEL	
0150G00004	BLADE, FAN 24 OA SERIES (M15, M16)	
0131M00121	BLOWER-ID COMBUSTION	
CAP100000370LA	CAP, 10 MFD/370V/OVAL (M1, M2, M3, M4, M5, M6, M7, M8, M9, M10, M11, M12, M13, M14)	
CAP050000440LA	CAPACITOR (M15, M16)	
ZPS60K5ETFD130	COMP, 60900, 460/60/3 2 STAGE (M1, M12, M13, M14)	
ZPS60K5ETF5130	COMP, 61000, 200/230/60/3 2 ST (M2, M3, M4, M5, M6, M7, M8, M9, M10, M11)	
ZPS60K5ETFE130	COMP, 61000, 575/60/3 2 STAGE (M15, M16)	
0131M00430	COND MOTOR 1/3 HP, 1 SP, 6 PL (M2, M3, M4, M8, M9, M10, M11)	
CONT3P025024V	CONTACTOR 25 AMP, 3P, 24V (M1, M12, M13, M14, M15, M16)	
CONT3P030024V	CONTACTOR 30 AMP, 3P, 24V (M2, M3, M4, M5, M6, M7, M8, M9, M10, M11)	
0130M00074	CUT-OUT SWITCH, HIGH PRESSURE	
0130M00087	CUT-OUT SWITCH, LOW PRESSURE	
0130L00112	Duct Temp Sensor (M1, M3, M4, M12, M13)	
0251L00000	EXPANSION VALVE ASSY	
0164L00010	FAN BELT, NOTCHED	
B1086765	FAN BLADE TYPE 3 (M1, M2, M3, M4, M5, M6, M7, M8, M9, M10, M11, M12, M13, M14)	
0130F00010	FLAME SENSOR	
0151F00000P	GAS VALVE - WHITE-RODGERS 2-STAGE	
PCBAG123	IGNITION BOARD, DSI INTEGRATED	
20261709	IGNITOR	
20162906	LIMIT-WHITE (M1)	
10123532	MANUAL RESET LIMIT 350°F	
0131L00041	MOTOR 2 HP BELT DRIVE 208-230V (M2, M3, M4, M5, M6, M7, M8, M9, M10, M11)	
0131L00043	MOTOR 2HP BELT DRIVE 460V (M1, M12, M13, M14)	
0131L00042	MOTOR 2HP BELT DRIVE 575V (M15, M16)	
0131M00774	MOTOR, 1/3 HP, OD (M1, M12, M13, M14)	
0131M00858	MOTOR, 1/3 HP, OD (M15, M16)	
0131L00064	MOTOR, COND, 1/3 HP, 208/230V (M5, M6, M7)	
0130L00108	OUTDOOR AIR TEMP SENSOR-OE250-G (M1, M3, M4, M12, M13)	
PCBCG103	PCB, CONTROL, HP, GAS ,AC (M1, M3, M4, M12, M13)	
11112501	PRESSURE SWITCH	
0130M00063	PRIMARY LIMIT - GOLD 140° (M2, M3, M4, M5, M6, M7, M8, M9, M10, M11, M12, M13, M14, M15, M16)	
0130F00037	PRIMARY LIMIT - GRAY 150°	
10135604	RELAY (QTY 2)	
0130L00107	ROOM SENSOR (M1, M3, M4, M12, M13)	
0130M00240	TERMINAL BOARD	
0130M00596	TRANS, 150VA, 480V TO 230V (M14)	
0130M00596	TRANS, 150VA, 480V TO 230V (M1, M12, M13)	
0130M00597	TRANS, 150VA, 575V TO 230V (M15, M16)	
0130M00594	TRANSFORMER (M2, M5, M6, M7, M8, M9, M10, M11)	
0130M00138	TRANSFORMER, 208/230, 24V (M3, M4)	

Expanded Model Nomenclature

- M1 - DCG0720904WMKGAA
- M2 - DCG0721153WHDGAA
- M3 - DCG0721153WRKBAA
- M4 - DCG0721403WMXXAA
- M5 - DCG0721403WVDCAA
- M6 - DCG0721403WWDCAA
- M7 - DCG0721403WWXVAA
- M8 - DCG0721403WXSXAA
- M9 - DCG0721403WXXDAA
- M10 - DCG0721403WXXEAA
- M11 - DCG0721403WXXXAA
- M12 - DCG0721404WMKGAA
- M13 - DCG0721404WMSBAA
- M14 - DCG0721404WWXDAA
- M15 - DCG0721407WVXXAA
- M16 - DCG0721407WXXXAA

Top Panel and Tubing Assembly

IMAGE 1

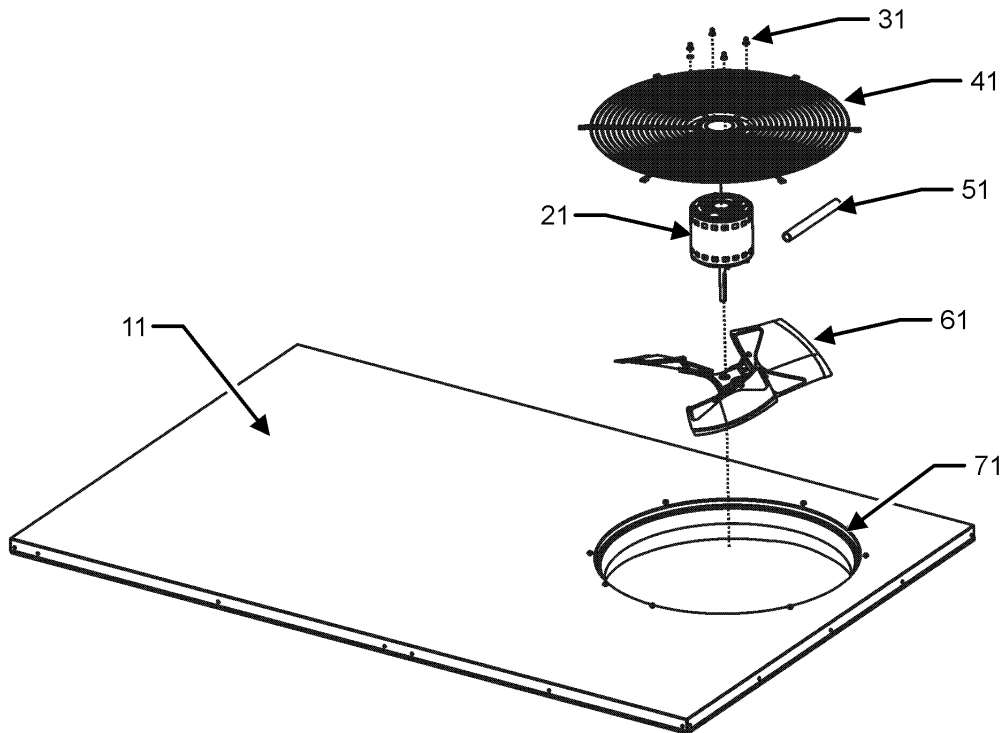
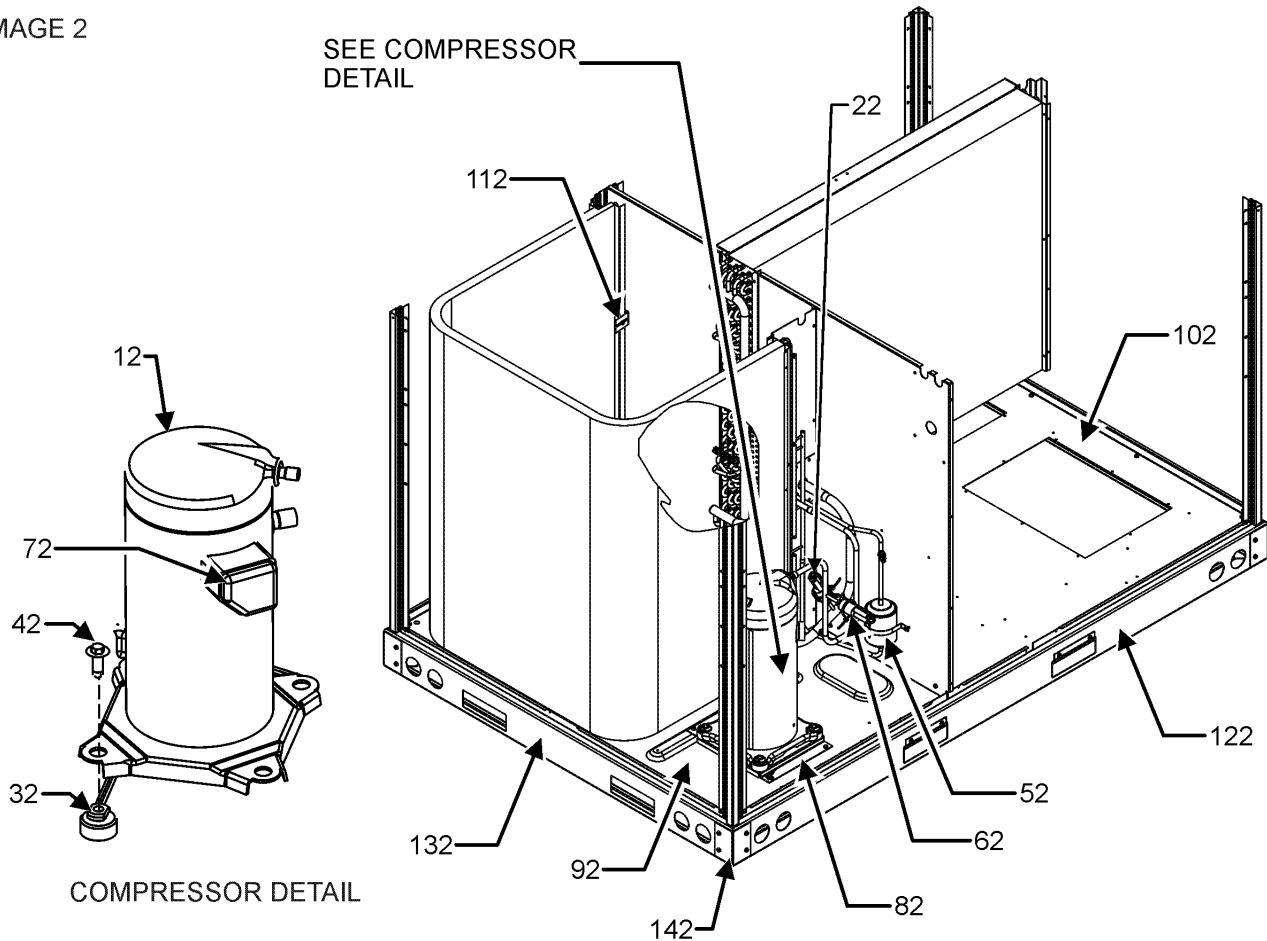


IMAGE 2



Top Panel and Tubing Assembly

Ref. Part

No: No: Description:

Ref. Part

No: No: Description:

Image 1:

11	0121L00235NG	TOP PANEL
21	0131M00430	COND MOTOR 1/3 HP, 1 SP, 6 PL (M2, M3, M4, M8, M9, M10, M11)
21	0131M00774	MOTOR, 1/3 HP, OD (M1, M12, M13, M14)
21	0131M00858	MOTOR, 1/3 HP, OD (M15, M16)
21	0131L00064	MOTOR, COND, 1/3 HP, 208/230V (M5, M6, M7)
31	0163M00006P	ACORN NUT 5/16 HEX BLACK (QTY 4)
41	0152G00003	FAN GRILLE (M1, M2, M3, M4, M8, M9, M10, M11, M12, M13, M14, M15, M16)
41	0152G00000	FAN GRILLE, RAISED (M5, M6, M7)
51	0161R00003P	CONDUIT
61	0150G00004	BLADE, FAN 24 OA SERIES (M15, M16)
61	B1086765	FAN BLADE TYPE 3 (M1, M2, M3, M4, M5, M6, M7, M8, M9, M10, M11, M12, M13, M14)
71	0161L00000	VENTURI RING 22"
NS	0163M00004	SCREW #10X3/4", BLACK (QTY 3)
NS	0163M00005P	WASHER, BLACK (.50 OD .218ID) (QTY 4)

Image 2:

12	ZPS60K5ETFD130	COMP, 60900, 460/60/3 2 STAGE (M1, M12, M13, M14)
12	ZPS60K5ETF5130	COMP, 61000, 200/230/60/3 2 ST (M2, M3, M4, M5, M6, M7, M8, M9, M10, M11)
12	ZPS60K5ETFE130	COMP, 61000, 575/60/3 2 STAGE (M15, M16)
22	0130M00087	CUT-OUT SWITCH, LOW PRESSURE
32	B1339533	COMPRESSOR GROMMET (QTY 4)
42	M0221641	TF SHOULDER SCREW (QTY 4)
52	20485201	BI-FLOW FILTER DRIER
62	0130M00074	CUT-OUT SWITCH, HIGH PRESSURE
72	0159L00065	Harness, comp s croll
82	0121L00310	COMPRESSOR MOUNTING PLATE
92	0121L01990	BASE PAN-OUTDOOR
102	0121L02619	BASE PAN-INDOOR
112	0121L00936	BRACKET-HAIRPIN END
122	0121L00244RF	SIDE RAIL (QTY 2)
132	0121L00245	END RAIL
142	0121G00301	BRACKET-RAIL CORNERS (QTY 4)
NS	B1373315	ACCESS FITTING (QTY 2)
NS	0159G00010	CABLE, COMP SOL
NS	0141L00003X	FORK BOARD (QTY 2)
NS	0121L00055	FORK BOARD BRACKET (QTY 4)

Expanded Model Nomenclature

M1 - DCG0720904WMKGAA
M2 - DCG0721153WHDGAA
M3 - DCG0721153WRKBAA
M4 - DCG0721403WMXXAA
M5 - DCG0721403WVDCAA
M6 - DCG0721403WWDCAA
M7 - DCG0721403WWXVAA
M8 - DCG0721403WXSXAA
M9 - DCG0721403WXXDAA
M10 - DCG0721403WXXEAA
M11 - DCG0721403WXXXAA
M12 - DCG0721404WMKGAA
M13 - DCG0721404WMSBAA
M14 - DCG0721404WWXDAA
M15 - DCG0721407WVXXAA
M16 - DCG0721407WXXXAA

Cabinet Assembly

IMAGE 1

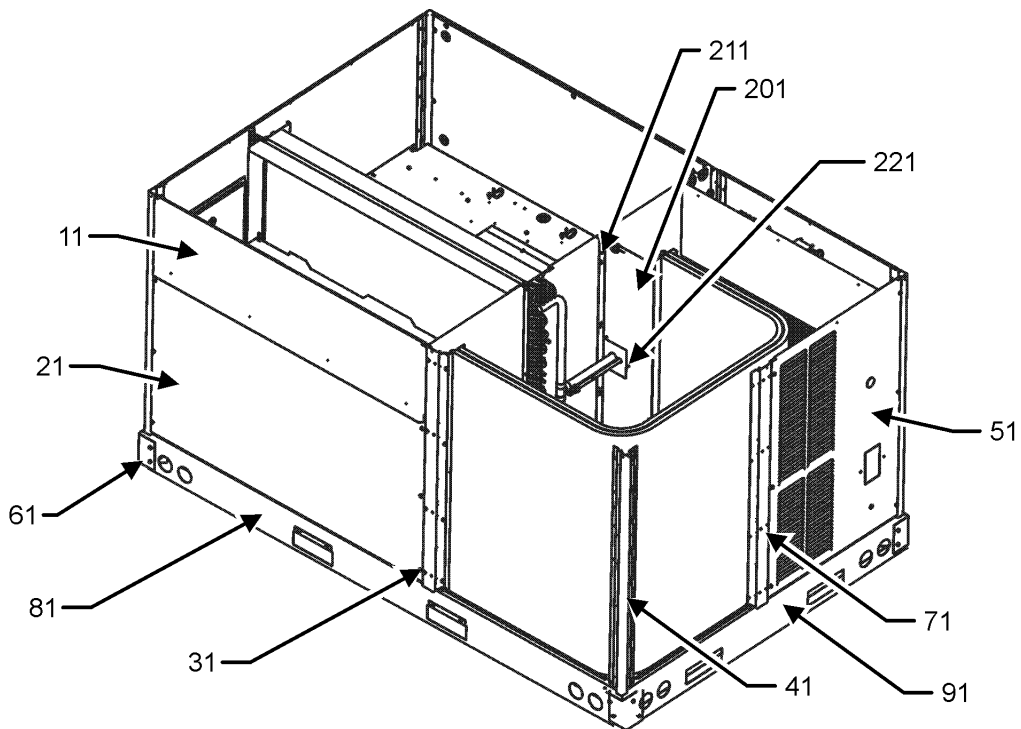
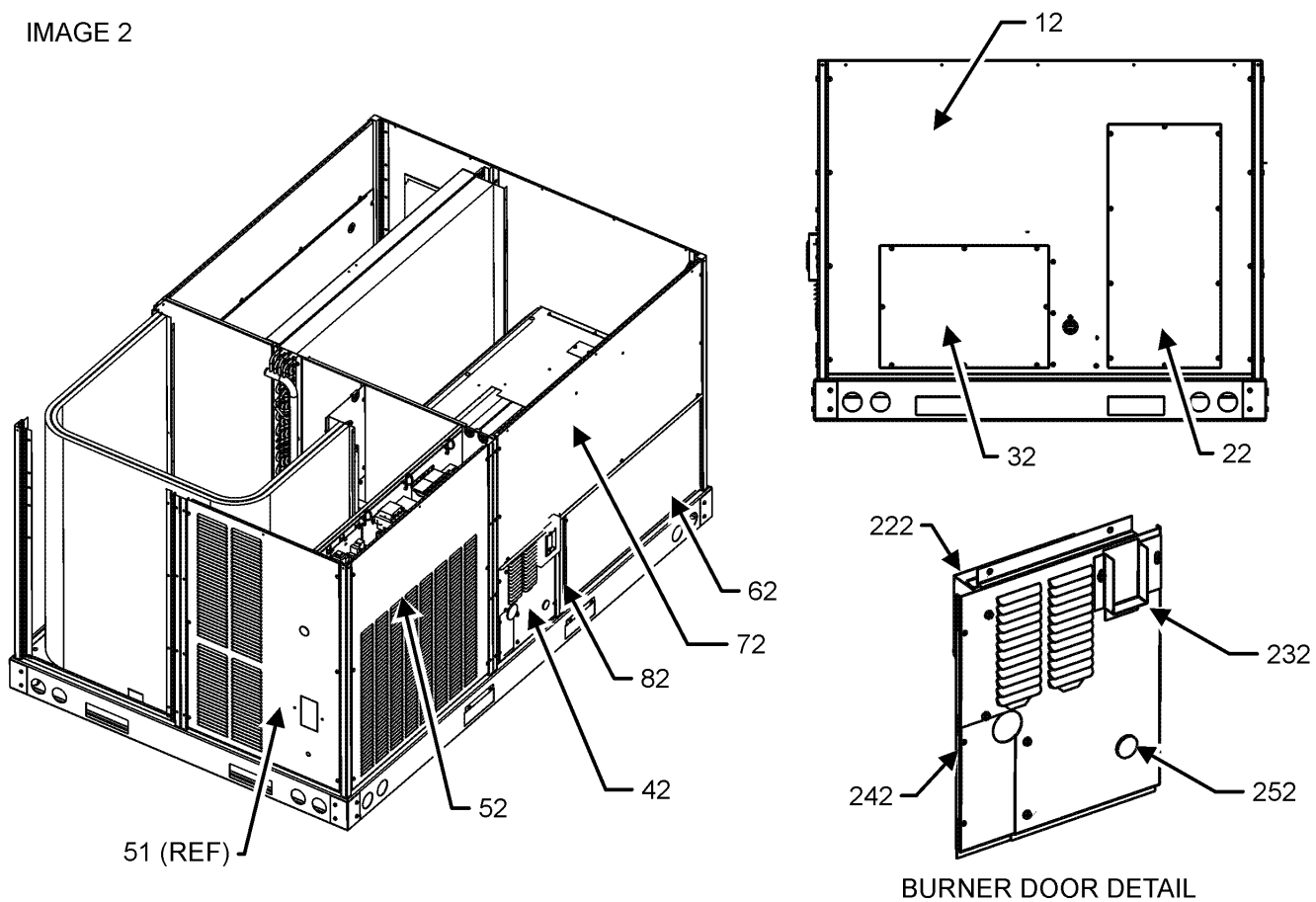


IMAGE 2



Cabinet Assembly

Ref. Part No: No:	Description:	Ref. Part No: No:	Description:
----------------------	--------------	----------------------	--------------

Image 1:

11	0270L00363NG	FILTER DOOR
21	0121L00976NG	ECONOMIZER DOOR (M1, M2, M4, M5, M6, M7, M8, M9, M10, M11, M12, M13, M14, M15, M16)
31	0121L00343RFNG	POST-SIDE RF PAINTED (QTY 2)
41	0121L00344RFNG	CORNER POST (QTY 2)
41	0121L02554RFNG	PNT, CORNER POST (M1, M2, M3, M5, M6, M12)
51	0121L00840NG	LOUVERED COMPRESSOR PANEL (M1, M2, M3, M4, M6, M7, M12, M13, M14)
51	0121L00354NG	PANEL-COMPRESSOR W/LOUVERS, PT (M5, M8, M9, M10, M11, M15, M16)
61	0121G00301	RAIL CORNER BRACKET (QTY 4)
71	0121L01169RFNG	SIDE POST
81	0121L00244RF	SIDE RAIL (QTY 2)
91	0121L00245	END RAIL
201	0121L00889	BLOCKOFF-CONDENSER
211	0121L00349	COND MOUNTING ANGLE
221	0121L00939	CONDENSER BLOCKOFF PLATE
NS	0121L01309	ECONOMIZER COVER (M3)
NS	0121L02655	END RAIL
NS	0164L00009	GASKET-RUBBER, CPOST (QTY 3)
NS	0164L00011	GASKET-RUBBER, SIDE POST (QTY 3)

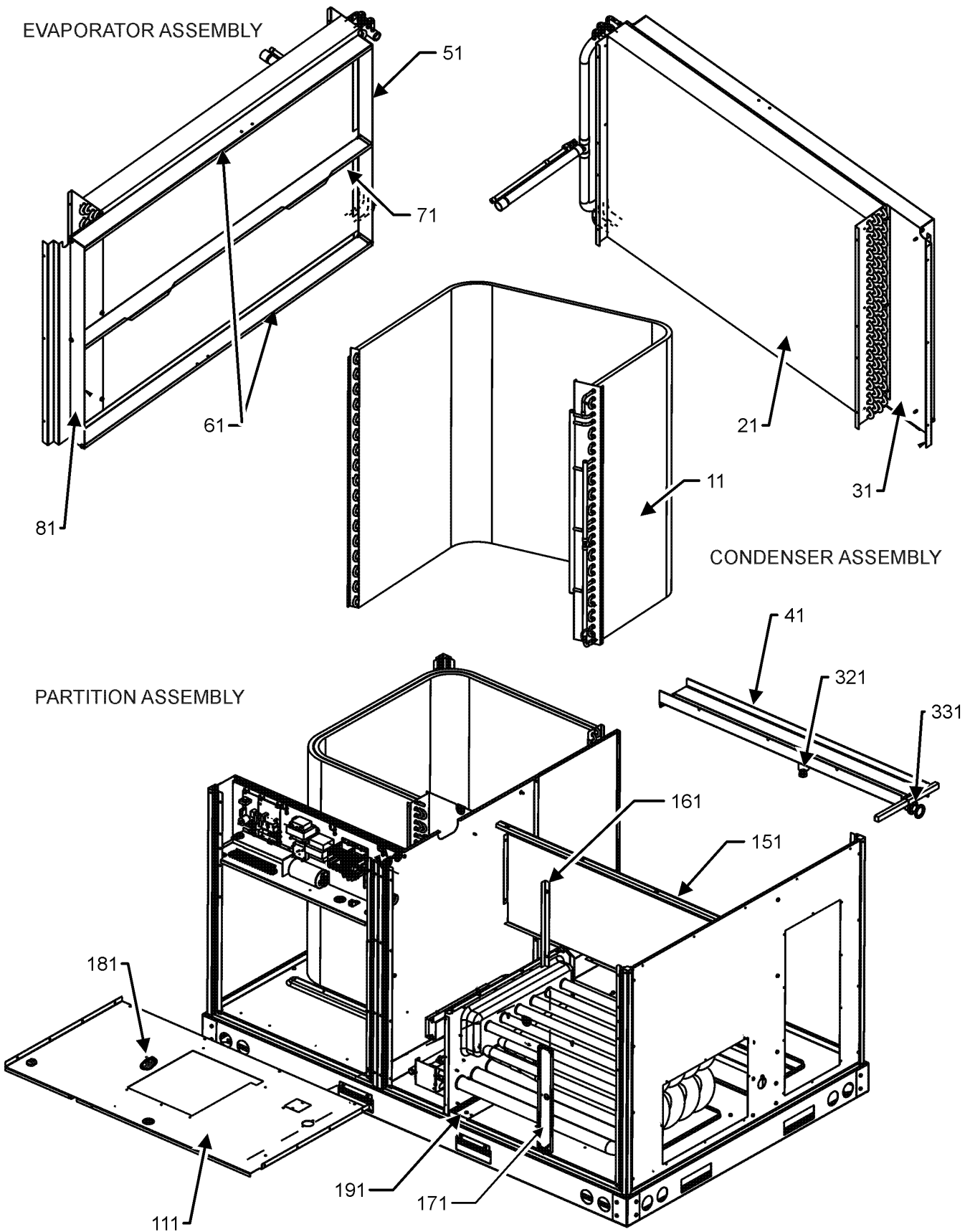
Image 2:

12	0121L00342NG	DUCT PANEL
22	0121L00023NG	RETURN DUCT COVER
32	0121L00024NG	SUPPLY DUCT COVER
42	0121L01438NG	BURNER DOOR
52	0121L01170NG	LOUVERED CONTROL PANEL (M4, M7, M8, M9, M10, M11, M13, M14, M15, M16)
52	0121L02552NG	PNT, CONTROL DOOR (M1, M2, M3, M5, M6, M12)
62	0121L01108NG	HEAT EXCHANGER DOOR
72	0121L01172NG	BLOWER DOOR
82	0121L01110RFNG	RF, Post-Burner Painted 3-6Ton
222	0121L01439	RAIN SHIELD DOOR
232	0121L01440NG	FLUE COLLAR
242	0121L01441NG	BURNER DOOR PANEL
252	B1392139	VIEW PORT BUSHING, CLEAR 1.00

Expanded Model Nomenclature

M1 - DCG0720904WMKGAA
M2 - DCG0721153WHDGAA
M3 - DCG0721153WRKBAA
M4 - DCG0721403WMXXAA
M5 - DCG0721403WVDCAA
M6 - DCG0721403WWDCAA
M7 - DCG0721403WWXVAA
M8 - DCG0721403WXSXAA
M9 - DCG0721403WXXDAA
M10 - DCG0721403WXXEAA
M11 - DCG0721403WXXXAA
M12 - DCG0721404WMKGAA
M13 - DCG0721404WMSBAA
M14 - DCG0721404WWXDAA
M15 - DCG0721407WVXXAA
M16 - DCG0721407WXXXAA

Condenser, Evaporator, Partition Assembly



Condenser, Evaporator, Partition Assembly

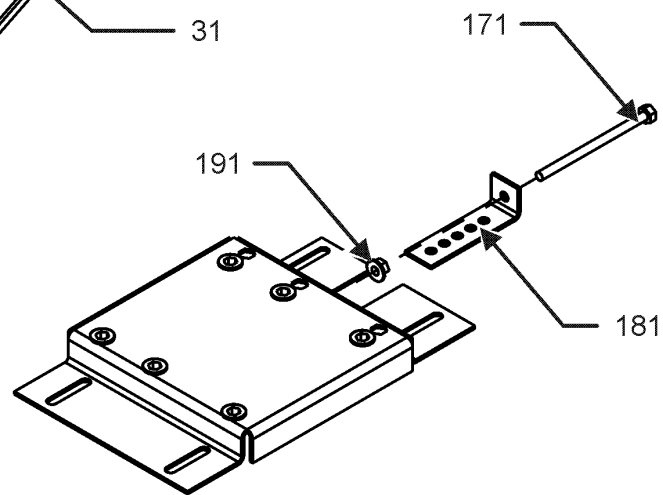
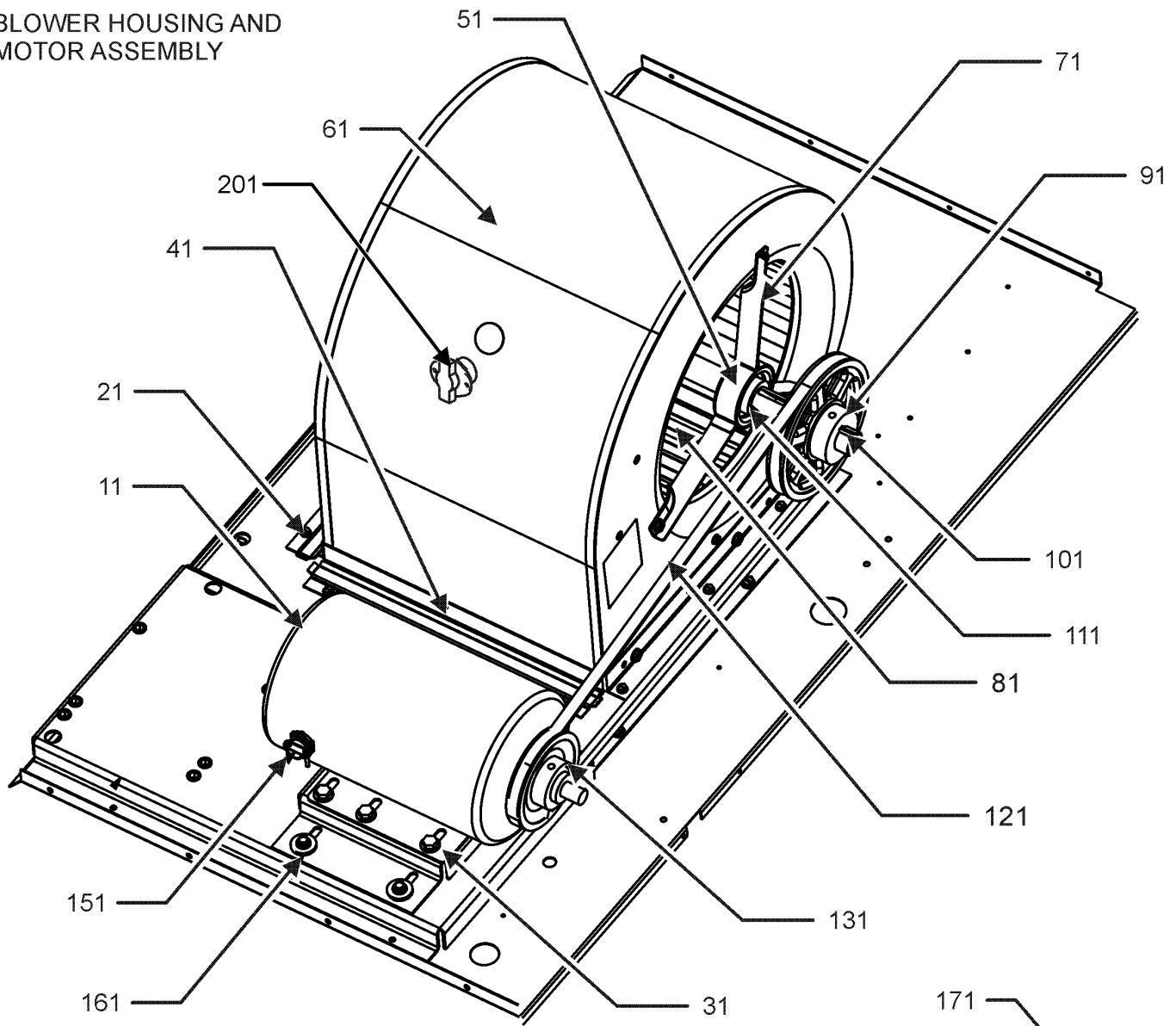
Ref. Part No:	Part No:	Description:	Ref. Part No:	Part No:	Description:
Image 1:					
11	0201L00145	TUBING ASSY, COND COIL			
21	0202L00146	TUBING ASSY, EVAP COIL			
31	0121L00345	BLOCKOFF-EVAPORATOR (M3, M4, M5, M6, M8, M10, M11, M13, M15, M16)			
31	0121L00398	BLOCKOFF-EVAPORATOR (M1, M2, M7, M9, M12, M14)			
41	0161L00005	DRAIN PAN			
51	0121L00357	FILTER ANGLE-VERTICAL (RETURN SIDE)			
61	0121L00932	FILTER ANGLE-HORIZONTAL (QTY 2)			
71	0121L01255	ANGLE-FILTER CENTER			
81	0121L00358	FILTER ANGLE-VERTICAL (HAIRPIN SIDE)			
111	0121L03396	DECK-BLOWER			
151	0121L02123	DECK SIDE CHANNEL			
161	0121L00293	BACK ANGLE-HEAT EXCHANGER (QTY 2)			
171	0121L00300	SUPPORT POST-DECK			
181	20162906	LIMIT-WHITE (M1)			
181	0130M00063	PRIMARY LIMIT - GOLD 140° (M2, M3, M4, M5, M6, M7, M8, M9, M10, M11, M12, M13, M14, M15, M16)			
191	0121L00266	HEAT PANEL CHANNEL (QTY 2)			
321	0163L00071	DRAIN PLUG			
331	0154L00009	GASKET-DRAIN PAN			
NS	0160L00174	AIR FILTER 16 X 20 X 2 (QTY 4)			
NS	0121L01377	BLOWER DECK SUPPORT (M1, M2, M3, M5, M6, M12)			
NS	0121L00938	BRACKET-COIL GUIDE			
NS	0121L00939	CONDENSER BLOCKOFF PLATE			
NS	0121L00238	DRAIN PAN SUPPORT			
NS	0251L00000	EXPANSION VALVE ASSY			
NS	A4568804	GROMMET-D (QTY 4)			
NS	0121L00321	SMOKE DETECTOR COVER			

Expanded Model Nomenclature

M1 - DCG0720904WMKGAA
M2 - DCG0721153WHDGAA
M3 - DCG0721153WRKBAA
M4 - DCG0721403WMXXAA
M5 - DCG0721403WVDCAA
M6 - DCG0721403WWDCAA
M7 - DCG0721403WWXVAA
M8 - DCG0721403WXSXAA
M9 - DCG0721403WXXDAA
M10 - DCG0721403WXXEAA
M11 - DCG0721403WXXXAA
M12 - DCG0721404WMKGAA
M13 - DCG0721404WMSBAA
M14 - DCG0721404WWXDAA
M15 - DCG0721407WVXXAA
M16 - DCG0721407WXXXAA

Belt Drive Blower Assembly

BLOWER HOUSING AND
MOTOR ASSEMBLY



MOUNTING PLATE ASSEMBLY

Belt Drive Blower Assembly

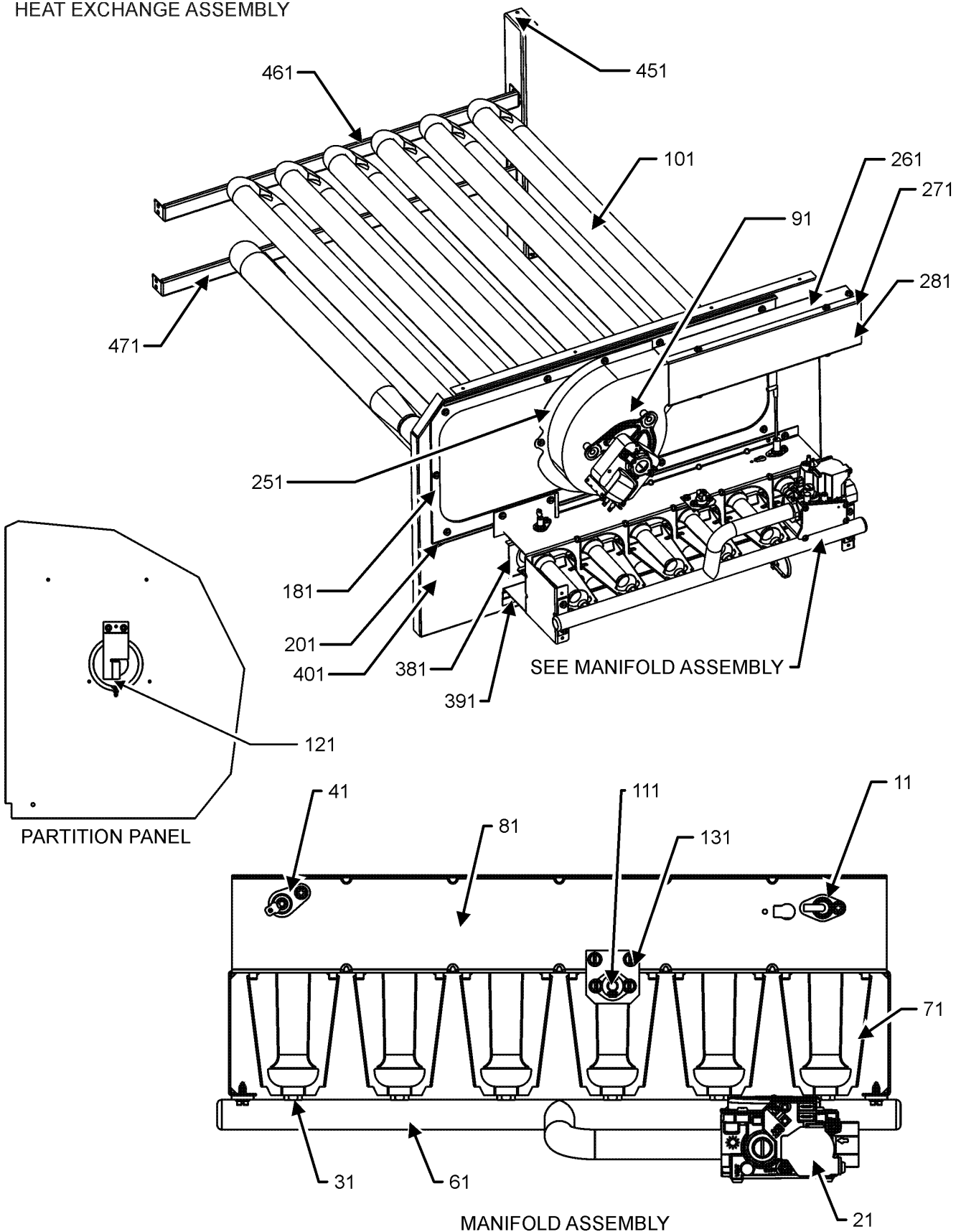
Ref. Part No:	Ref. Part No:	Description:	Description:
Image 1:			
11	0131L00041	MOTOR 2 HP BELT DRIVE 208-230V (M2, M3, M4, M5, M6, M7, M8, M9, M10, M11)	
11	0131L00043	MOTOR 2HP BELT DRIVE 460V (M1, M12, M13, M14)	
11	0131L00042	MOTOR 2HP BELT DRIVE 575V (M15, M16)	
21	0121L00297	BLOWER SIDE ANGLE (QTY 3)	
31	0121L01619	MOTOR BASE	
41	0121L00281	BLOWER MOUNTING ANGLE	
51	0163L00005	BELT DRIVE BLOWER SHAFT	
61	2539302F	BLOWER HOUSING 11 X 10	
71	B3201300	MOUNTING BRACKET BEARING (QTY 2)	
81	B1368056	BELT DRIVE BLOWER WHEEL	
91	0163L00136	SHEAVE, FIXED AK59H	
101	0163M00407	MACHINE KEY, SPECIAL	
111	0163L00247	BEARING, BALL, MOUNTED (QTY 2)	
121	0164L00010	FAN BELT, NOTCHED	
131	B2120013	VARIABLE PITCH SHEAVE 1VM50	
151	B1393726	ELECT. CONNECTING BUSHING	
161	B1393738	BOLT 1/4-20 X 3/4" (QTY 4)	
171	0163M00045	BOLT 1/4-20 X 4"	
181	3225000F	BELT TIGHTENER ANGLE	
191	B1393023	NUT / LOCK .25-20	
201	0130F00037	PRIMARY LIMIT - GRAY 150°	
NS	1864703	BLOWER CUT-OFF ASM,5TON,MORRIS	
NS	B1398603	STEEL KEY (000158812) 4.5"	

Expanded Model Nomenclature

M1 - DCG0720904WMKGAA
M2 - DCG0721153WHDGAA
M3 - DCG0721153WRKBAA
M4 - DCG0721403WMXXAA
M5 - DCG0721403WVDCAA
M6 - DCG0721403WWDCAA
M7 - DCG0721403WWXVAA
M8 - DCG0721403WXSXAA
M9 - DCG0721403WXXDAA
M10 - DCG0721403WXXEAA
M11 - DCG0721403WXXXAA
M12 - DCG0721404WMKGAA
M13 - DCG0721404WMSBAA
M14 - DCG0721404WWXDAA
M15 - DCG0721407WVXXAA
M16 - DCG0721407WXXXAA

Heat Exchange Assembly

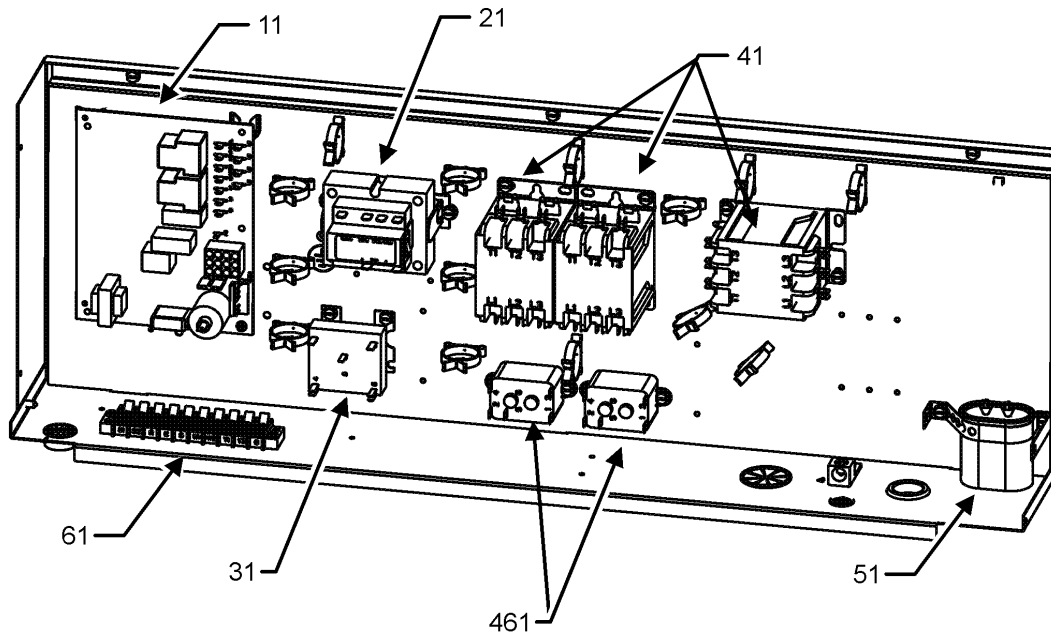
HEAT EXCHANGE ASSEMBLY



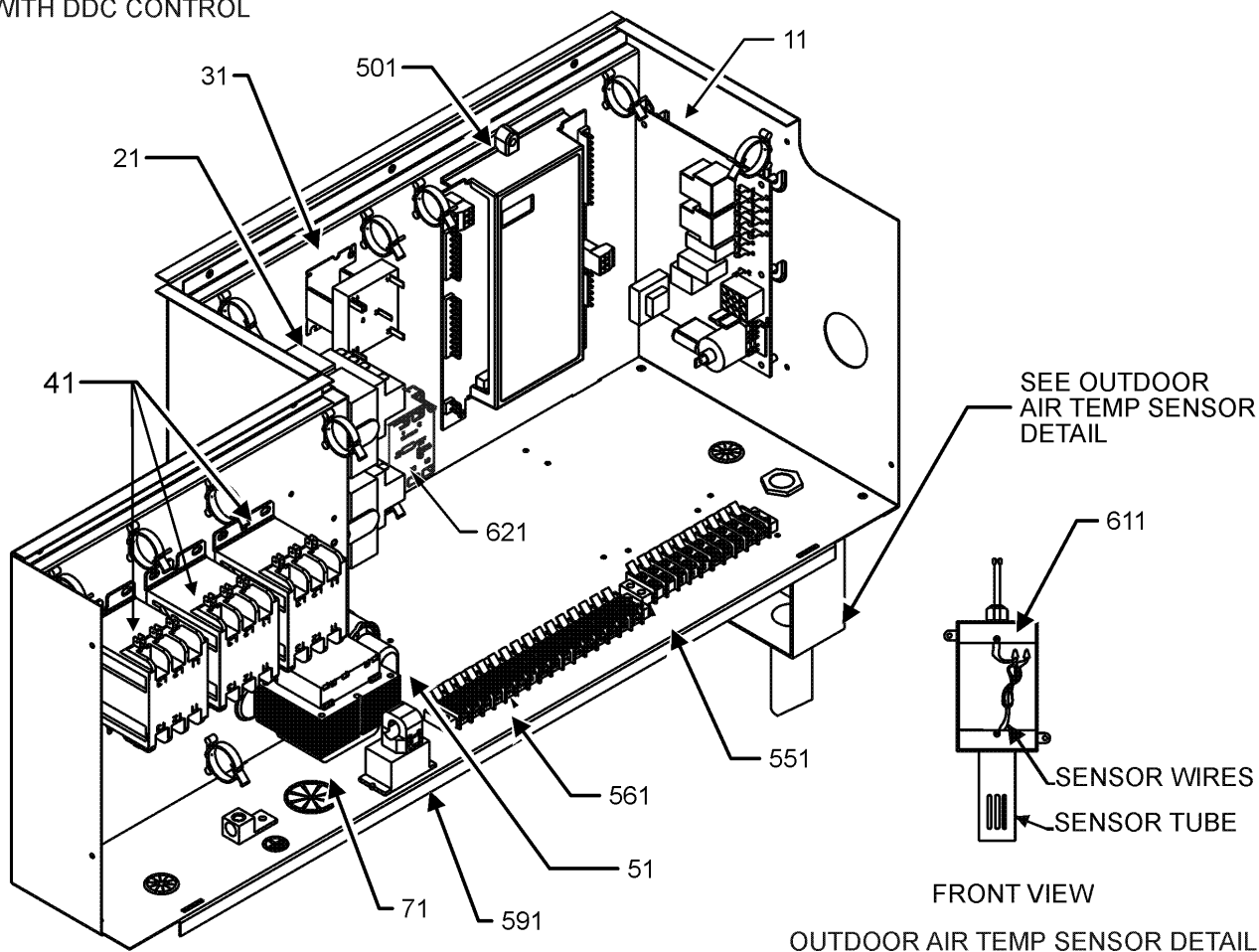
Heat Exchange Assembly

Ref. Part No:	No:	Description:	Ref. Part No:	No:	Description:
Image 1:			Expanded Model Nomenclature		
11	20261709	IGNITOR	M1	-	DCG0720904WMKGAA
21	0151F00000P	GAS VALVE - WHITE-RODGERS 2-STAGE	M2	-	DCG0721153WHDGAA
31	0163F00018	ORIFICE (QTY 4)	M3	-	DCG0721153WRKBAA
41	0130F00010	FLAME SENSOR	M4	-	DCG0721403WMXXAA
61	0163L00026	MANIFOLD-GAS 4 BURNER (M1)	M5	-	DCG0721403WVDCAA
61	0163L00029	MANIFOLD-GAS, 5 BURNER (M2, M3)	M6	-	DCG0721403WWDCAA
61	0163L00025	MANIFOLD-GAS, 6 BURNER (M4, M5, M6, M7, M8, M9, M10, M11, M12, M13, M14, M15, M16)	M7	-	DCG0721403WWXVAA
71	10735102	BECKETT BURNER (QTY 4)	M8	-	DCG0721403WXSXAA
81	20190412	BRKT-BURNER 4B FUR (M1)	M9	-	DCG0721403WXXDAA
81	20190413	BURNER BRACKET 5B (M2, M3)	M10	-	DCG0721403WXXEAA
81	0121F00145	BURNER BRACKET 6B (M4, M5, M6, M7, M8, M9, M10, M11, M12, M13, M14, M15, M16)	M11	-	DCG0721403WXXXAA
91	0131M00121	BLOWER-ID COMBUSTION	M12	-	DCG0721404WMKGAA
101	0270L00110	PART/TUBE ASSY 5B (M2)	M13	-	DCG0721404WMSBAA
101	0270L00111	PART/TUBE ASSY 5B (M3)	M14	-	DCG0721404WWXDAA
101	0270L00072	PART/TUBE ASSY 6B (M4, M5, M6, M7, M9, M10, M11, M14, M15, M16)	M15	-	DCG0721407WVXXAA
101	0270L00104	PART/TUBE ASSY 6B (M8, M12, M13)	M16	-	DCG0721407WXXXAA
101	0270L00105	PART/TUBE ASSY, 4B (M1)			
111	10123532	MANUAL RESET LIMIT 350°F			
121	11112501	PRESSURE SWITCH			
131	0121L00053	BRACKET-FLAME ROLLOUT			
181	0154L00018	GASKET-ID BLOWER PLATE 2,4 (M1)			
181	0154L00017	ID BLOWER PLATE GASKET 6 BRNR (M2, M3, M4, M5, M6, M7, M8, M9, M10, M11, M12, M13, M14, M15, M16)			
201	0121L00241	ID BLOWER PLATE (M4, M5, M6, M7, M8, M9, M10, M11, M12, M13, M14, M15, M16)			
201	0121L00318	ID BLOWER PLATE 6 BRNR (M2, M3)			
201	0121L00284	PLATE-ID BLOWER 4 (M1)			
251	0154L00020	ID BLOWER GASKET			
261	0121L00277	FLUE-CHANNEL			
271	0121L00278	FLUE-SIDE COVER			
281	0163L00072	SCREEEN-FLUE			
381	11072204	ORIFICE SHIELD (M2, M3)			
381	11072205	ORIFICE SHIELD (M4, M5, M6, M7, M8, M9, M10, M11, M12, M13, M14, M15, M16)			
381	11072203	SHIELD-ORF CO FUR (M1)			
391	0121L00267	BRACKET-BURNER SLIDE			
401	0121L00268	RETAINER-BURNER ASSY (M2, M3, M4, M5, M6, M7, M8, M9, M10, M11, M12, M13, M14, M15, M16)			
451	0121L02618	SUPPORT BRACKET			
461	0121L01576	SUPPORT BRACKET			
471	0121L02617	SUPPORT BRACKET			
NS	A3468601	PRESSURE SWITCH HOSE			

Control Panel Assembly



CONTROL BOX FOR MODELS WITH DDC CONTROL



Control Panel Assembly

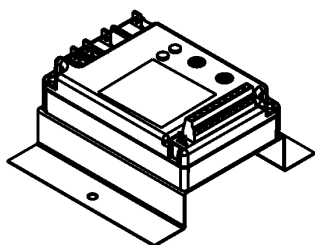
Ref. Part No:	Ref. Part No:	Description:	Description:
Image 1:		Expanded Model Nomenclature	
11	PCBAG123	IGNITION BOARD, DSI INTEGRATED	M1 - DCG0720904WMKGAA
21	0130M00596	TRANS, 150VA, 480V TO 230V (M14)	M2 - DCG0721153WHDGAA
21	0130M00597	TRANS, 150VA, 575V TO 230V (M15, M16)	M3 - DCG0721153WRKBAA
21	0130M00594	TRANSFORMER (M2, M5, M6, M7, M8, M9, M10, M11)	M4 - DCG0721403WMXXAA
21	0130M00138	TRANSFORMER, 208/230, 24V (M3, M4)	M5 - DCG0721403WVDCAA
21	0130M00595	TRANSFORMER, 75VA, 480V TO 24V (M1, M12, M13)	M6 - DCG0721403WWDCAA
31	0130M00025	24V RELAY	M7 - DCG0721403WWXVAA
41	CONT3P025024V	CONTACTOR 25 AMP, 3P, 24V (M1, M12, M13, M14, M15, M16)	M8 - DCG0721403WXSXAA
41	CONT3P030024V	CONTACTOR 30 AMP, 3P, 24V (M2, M3, M4, M5, M6, M7, M8, M9, M10, M11)	M9 - DCG0721403WXXDAA
51	CAP100000370LA	CAP, 10 MFD/370V/OVAL (M1, M2, M3, M4, M5, M6, M7, M8, M9, M10, M11, M12, M13, M14)	M10 - DCG0721403WXXEAA
51	CAP050000440LA	CAPACITOR (M15, M16)	M11 - DCG0721403WXXXAA
61	0130M00240	TERMINAL BOARD	M12 - DCG0721404WMKGAA
71	0130M00596	TRANS, 150VA, 480V TO 230V (M1, M12, M13)	M13 - DCG0721404WMSBAA
71	0130M00598	TRANSFORMER, 75VA, 575V TO 24V (M15, M16)	M14 - DCG0721404WWXDAA
461	10135604	RELAY (QTY 2)	M15 - DCG0721407WVXXAA
501	PCBCG103	PCB, CONTROL, HP, GAS ,AC (M1, M3, M4, M12, M13)	M16 - DCG0721407WXXXAA
551	0130M00274	TERMINAL BOARD (M1, M3, M4, M12, M13)	
561	0130M00275	TERMINAL BOARD (M1, M3, M4, M12, M13)	
591	0259L00368	CURRENT SWITCH WITH TERMS (M1, M3, M4, M12, M13)	
611	0130L00108	OUTDOOR AIR TEMP SENSOR-OE250-G (M1, M3, M4, M12, M13)	
NS	B821700	CAPACITOR BOOT (M1, M3, M4, M12, M13)	
NS	20520901	CAPACITOR STRAP	
NS	0130L00112	Duct Temp Sensor (M1, M3, M4, M12, M13)	
NS	0259L00235	HARN, IGN, SUB-ASSY 5	
NS	0259L00320	HARN, PWR, CM 230V ADAPTER (M2, M3, M4, M5, M6, M7, M8, M9, M10, M11)	
NS	0259L00321	HARNESS, BELT DRIVE 2 SP MOTOR	
NS	0259L00328	HARNESS, CONTROL GAS	
NS	0259L00329	HARNESS, CONTROL, SUB-ASSY A1	
NS	0259L00330	HARNESS, CONTROL, SUB-ASSY B1	
NS	0259L00331	HARNESS, CONTROL, SUB-ASSY B2	
NS	0259L00337	HARNESS, CONTROL, SUB-ASSY C5	
NS	0259L00332	HARNESS, CONTROL, SUB-ASSY D1	
NS	0259L00335	HARNESS, POWER, 2 SPD EM	
NS	0130L00107	ROOM SENSOR (M1, M3, M4, M12, M13)	
NS	0259L00090	WIRE HARNESS-SMOKE DETECTOR (M2, M7, M9, M10, M14)	
NS	0259L00054	WIRING HARNESS (M1, M3, M4, M12, M13)	
NS	0259L00054	WIRING HARNESS (M1, M3, M4, M12, M13)	
NS	0259L00070	WIRING HARNESS (M5, M6, M7)	

Accessory Parts List

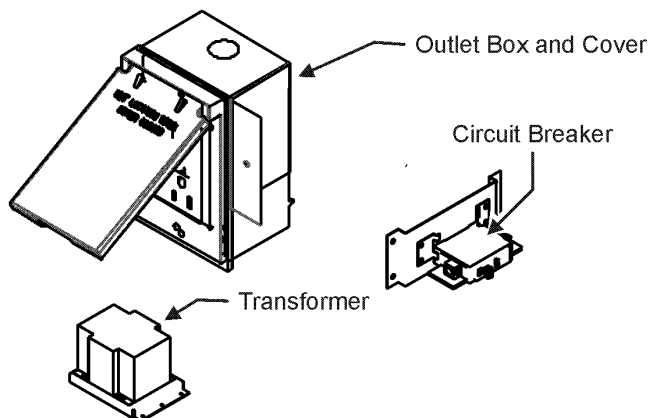
ACCESSORY PARTS LIST

NOTE: NOT ALL OPTIONS AVAILABLE FOR ALL PRODUCTS

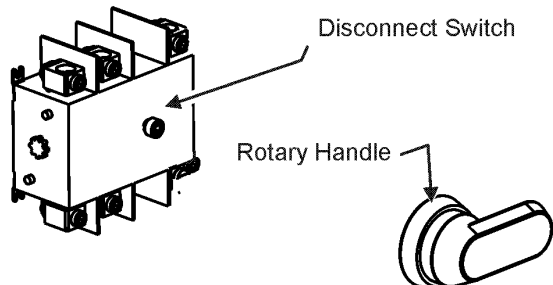
1 LOW AMBIENT KITS



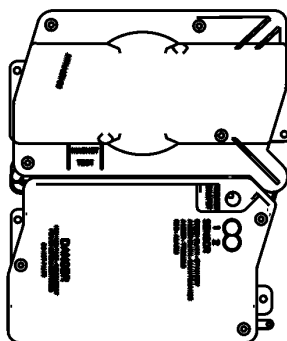
2 GFCI CONVENIENCE OUTLET



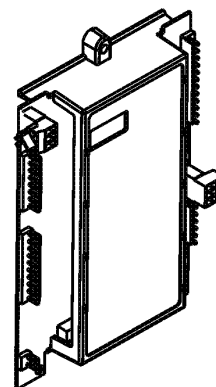
3 DISCONNECT MODULE (NON-FUSED)



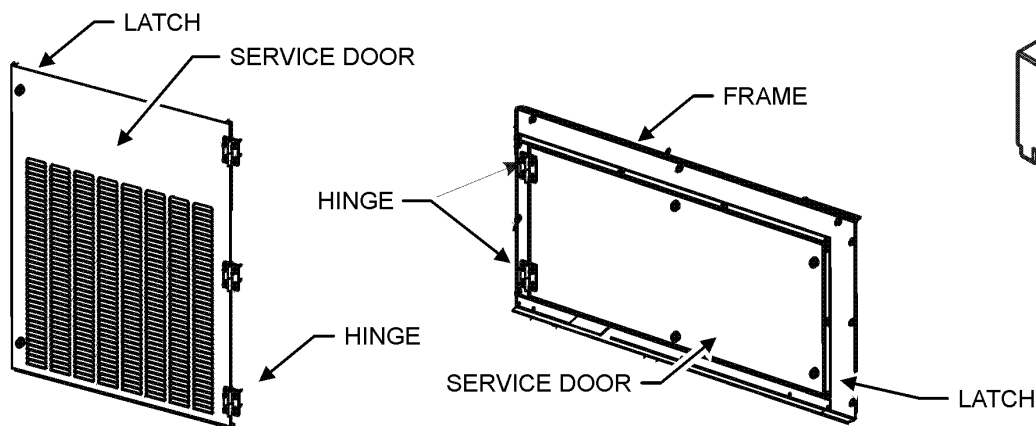
4 SMOKE DETECTORS



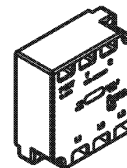
5 DDC CONTROL



6 HINGED DOOR ASSEMBLIES



7 PHASE MONITOR



Accessory Parts List

Ref. Part No:	Description:	Ref. Part No:	Description:
Image 1:		Expanded Model Nomenclature	
NS DDNECNJ3672C	3-6 TON DFLOW ECONOMIZER (M5, M6, M7, M14, M15)	M1 - DCG0720904WMKGAA	
NS 10366D09C	3-6 TON DFLOW ECONOMIZER, DDC (M3)	M2 - DCG0721153WHDGAA	
NS 0121L01934	BRACKET SMOKE DETECTOR (M1, M2, M7, M9, M10, M12, M14)	M3 - DCG0721153WRKBAA	
NS 0121L00316	BRACKET-CONV OUTLET MOUNT (M1, M2, M3, M12, M13)	M4 - DCG0721403WMXXAA	
NS 0121L00835	BRACKET-DISCONNECT SWITCH (M1, M2, M3, M4, M6, M7, M12, M13, M14)	M5 - DCG0721403WVDCAA	
NS 0130M00065	CIRCUIT BREAKER, CONVENIENCE OUTLET (M3, M13)	M6 - DCG0721403WWDCAA	
NS 0121L00837NG	DISCONNECT COVER (M1, M2, M3, M4, M6, M7, M12, M13, M14)	M7 - DCG0721403WWXVAA	
NS 0130L00012	GANG BOX-GFCI OUTLET (M1, M2, M3, M12, M13)	M8 - DCG0721403WXSXAA	
NS 0130L00039	HANDLE, ROTARY (M1, M2, M3, M4, M6, M7, M12, M13, M14)	M9 - DCG0721403WXXDAA	
NS 0163M00307	HINGE, LEFT HAND (M1, M2, M3, M5, M6, M12)	M10 - DCG0721403WXXEAA	
NS 0163M00308	HINGE, RIGHT HAND (M1, M2, M3, M5, M6, M12)	M11 - DCG0721403WXXXAA	
NS 0163M00360	LATCH (M1, M2, M3, M5, M6, M12)	M12 - DCG0721404WMKGAA	
NS 0130M00058	LOW AMBIENT KIT (M5, M6, M7)	M13 - DCG0721404WMSBAA	
NS 0121L02510NG	PNT, BLOWER DOOR FRAME (M1, M2, M3, M5, M6, M12)	M14 - DCG0721404WWXDAA	
NS 0161G00012	POWER OUTLET BOX (M1, M2, M3, M12, M13)	M15 - DCG0721407WVXXAA	
NS 0130L00103	RECEPTACLE-GFCI OUTLET (M1, M2, M3, M12, M13)	M16 - DCG0721407WXXXAA	
NS 0121L02529NG	SERVICE DOOR BACK , BLOWER (M1, M2, M3, M5, M6, M12)		
NS 0121L02528NG	SERVICE DOOR FRONT, BLOWER (M1, M2, M3, M5, M6, M12)		
NS 0130L00042	SHAFT, CUT (M1, M2, M3, M4, M6, M7, M12, M13, M14)		
NS 0130L00049	SHAFT, DISCONNECT (M1, M2, M3, M4, M6, M7, M12, M13, M14)		
NS D4120	SMOKE DETECTOR, PHOTO 4WIRE (M1, M2, M7, M9, M10, M12, M14)		
NS 0130L00046	SWITCH-DISCONNECT 60A (M1, M2, M3, M4, M6, M7, M12, M13, M14)		
NS 0130M00061	TRANSFORMER, CONVENIENCE OUTLET (M3, M13)		