

## Commercial 6 Ton Package Gas Unit

DCG0721403BXXXAC  
DCG0721404BHXGAC  
DCG0721404BVXEAC  
DCG0721404BWDXAC  
DCG0721404BXXXAD



This manual is to be used by qualified technicians only.

This manual replaces RP-D1197.

© 2017 - 2018 **DAIKIN COMPANY, L.P.** ♦ 5151 San Felipe St., Suite 500 ♦ Houston, TX 77056

# Important Information

---

## Index

Functional Parts List .....	3
Illustration and Parts .....	4 - 17

*Views shown are for parts illustrations only, not servicing procedures*

### Text Codes:

AR - As Required

NA - Not Available

NS - Not Shown

00000000 - See Note

QTY - Quantity Example (QTY 3) (If Quantity not shown, Quantity = 1)

M - Model Example (M1) (If M Code not shown, then part is used on all Models)

### Expanded Model Nomenclature:

Example M1 - Model#1 M2 - Model#2 M3 - Model#3
---

Daikin Company, L.P. is not responsible for personal injury or property damage resulting from improper service. Review all service information before beginning repairs.

Warranty service must be performed by an authorized technician, using authorized factory parts. If service is required after the warranty expires, Daikin Company, L.P. also recommends contacting an authorized technician and using authorized factory parts.

Daikin Company, L.P. reserves the right to discontinue, or change at any time, specifications or designs without notice or without incurring obligations.

For assistance within the U.S.A. contact:

Equipment Support  
Daikin North America, LLC  
19001 Kermier Road  
Waller, Texas 77484  
855-770-5678-Telephone  
713-863-2382-Facsimile

For assistance outside the U.S.A. contact:

International Division  
Daikin North America, LLC  
19001 Kermier Road  
Waller, Texas 77484  
713-861-2500-Telephone  
713-863-2382-Facsimile

# Functional Parts

## Part

## No: Description:

---

0130M00025	24V RELAY
10735102	BECKETT BURNER (QTY 6)
B1368056	BELT DRIVE BLOWER WHEEL
B3240007	BELT DRIVE MOTOR 1.5 HP
CAP100000370LA	CAPACITOR 10/370V
ZP61KCETF5130	COMPRESSOR 61500, 200/230/60/3 (M1)
ZP61KCEFD130	COMPRESSOR 61500, 460/60/3 (M2, M3, M4, M5)
CONT3P025024V	CONTACTOR 25 AMP, 3P, 24V (M2, M3, M4, M5)
CONT3P030024V	CONTACTOR 30 AMP, 3P, 24V (M1)
0130M00074	CUT-OUT SWITCH, HIGH PRESSURE
0130M00087	CUT-OUT SWITCH, LOW PRESSURE
0164L00010	FAN BELT, NOTCHED
B1086765	FAN BLADE TYPE 3
0130F00010	FLAME SENSOR
0151F00000P	GAS VALVE - WHITE-RODGERS 2-STAGE
PCBAG123	IGNITION BOARD, DSI INTEGRATED
20261709	IGNITOR
10123532	MANUAL RESET LIMIT 350°F
11112501	PRESSURE SWITCH
0130M00063	PRIMARY LIMIT - GOLD 140°
0130F00037	PRIMARY LIMIT - GRAY 150°
0130M00038	TERMINAL BOARD
0130M00138	TRANSFORMER 208/230, 24V (M1)
0130M00145	TRANSFORMER 480V to 24V, 75VA (M2, M3, M4, M5)

### Expanded Model Nomenclature

M1 - DCG0721403BXXXAC
M2 - DCG0721404BHXGAC
M3 - DCG0721404BVXEAC
M4 - DCG0721404BWDXAC
M5 - DCG0721404BXXXAD

# Top Panel and Tubing Assembly

IMAGE 1

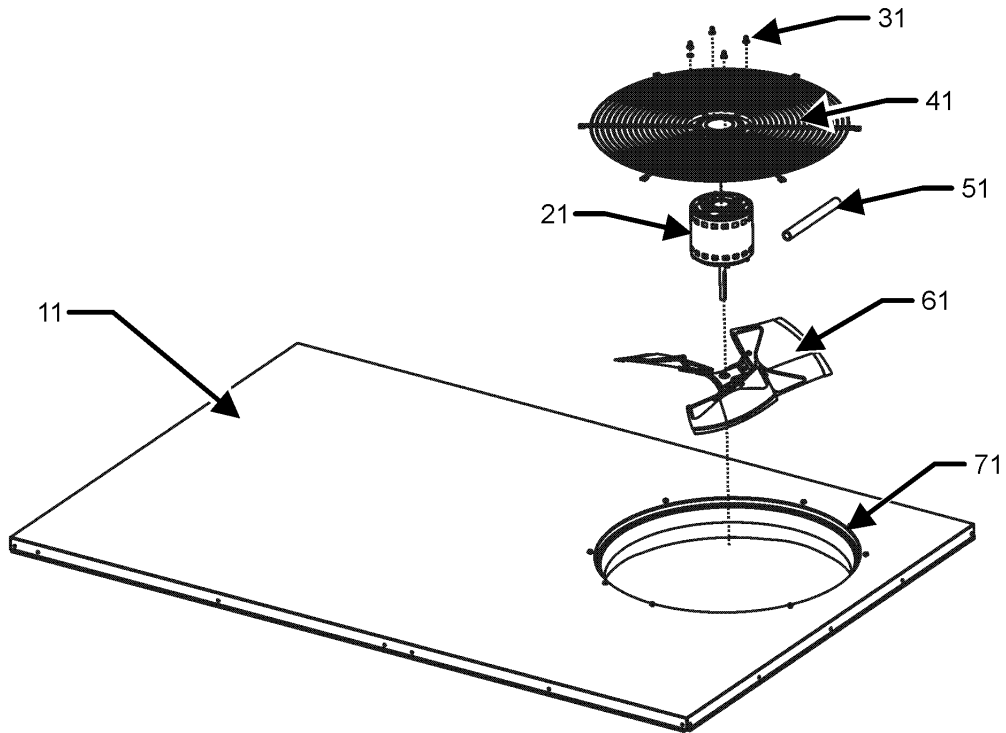
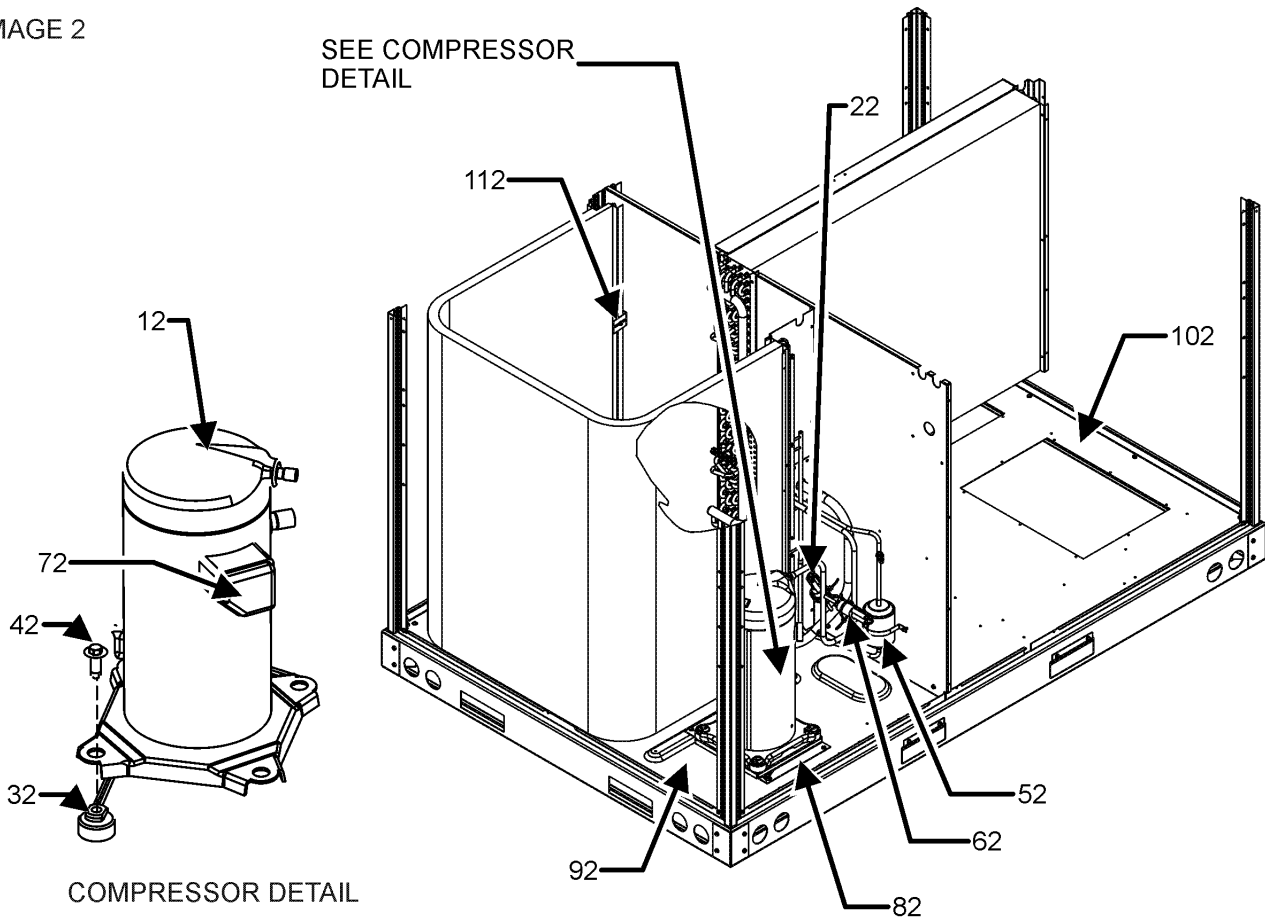


IMAGE 2



# Top Panel and Tubing Assembly

Ref. Part No: No:	Description:	Ref. Part No: No:	Description:
-------------------	--------------	-------------------	--------------

**Image 1:**

11	0121L00235NG	TOP PANEL
21	0131M00430	COND MOTOR 1/3 HP, 1 SP, 6 PL (M1)
21	0131M00774	MOTOR, 1/3 HP, OD (M2, M3, M4, M5)
31	0163M00006P	ACORN NUT 5/16 HEX BLACK (QTY 4)
41	0152G00003	FAN GRILLE
51	17788000083F	PVC CONDUIT 8.25"
61	B1086765	FAN BLADE TYPE 3
71	0161L00000	VENTURI RING 22"
NS	0163M00004	SCREW #10X3/4", BLACK (QTY 8)
NS	0163M00005P	WASHER, BLACK (.50 OD .218ID) (QTY 4)

**Image 2:**

12	ZP61KCETF5130	COMPRESSOR 61500, 200/230/60/3 (M1)
12	ZP61KCETFD130	COMPRESSOR 61500, 460/60/3 (M2, M3, M4, M5)
22	0130M00087	CUT-OUT SWITCH, LOW PRESSURE
32	B1339533	COMPRESSOR GROMMET (QTY 4)
42	M0221641	TF SHOULDER SCREW (QTY 4)
52	20485201	BI-FLOW FILTER DRIER
62	0130M00074	CUT-OUT SWITCH, HIGH PRESSURE
72	0159L00065	COMPRESSOR SCROLL HARNESS
82	0121L00310	COMPRESSOR MOUNTING PLATE
92	0121L01990	BASE PAN, OUTDOOR
102	0121L02619	BASE PAN, INDOOR
112	0121L00936	BRACKET-HAIRPIN END
NS	B1373315	ACCESS FITTING (QTY 2)

**Expanded Model Nomenclature**

M1 - DCG0721403BXXXAC
M2 - DCG0721404BHXGAC
M3 - DCG0721404BVXEAC
M4 - DCG0721404BWDXAC
M5 - DCG0721404BXXXAD

# Cabinet Assembly

IMAGE 1

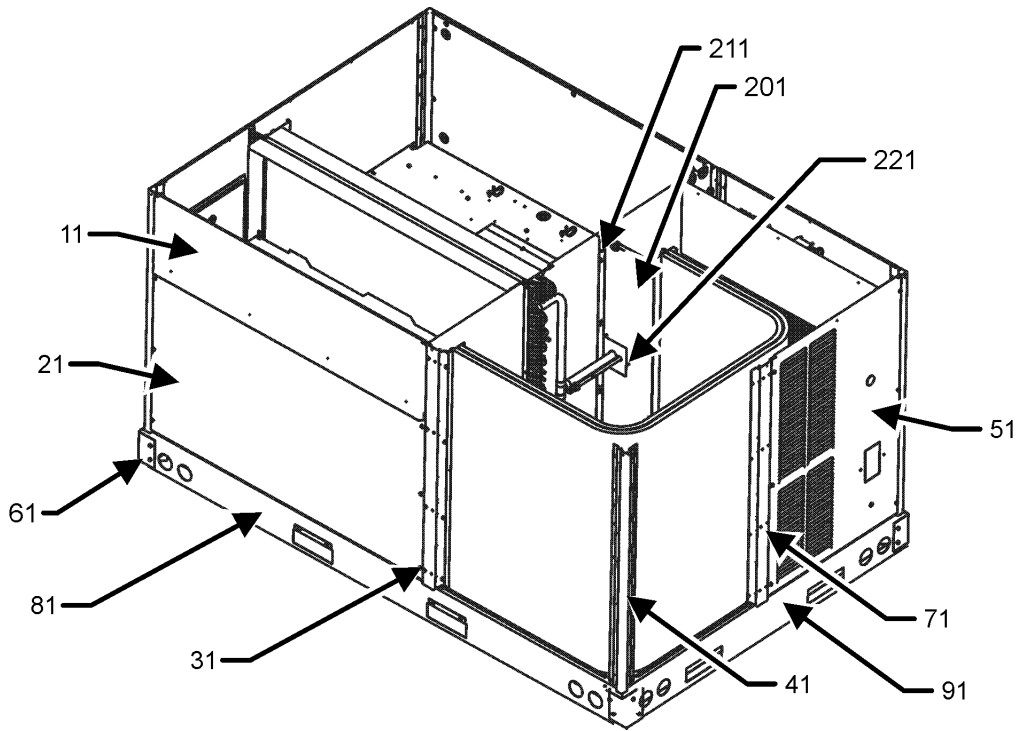
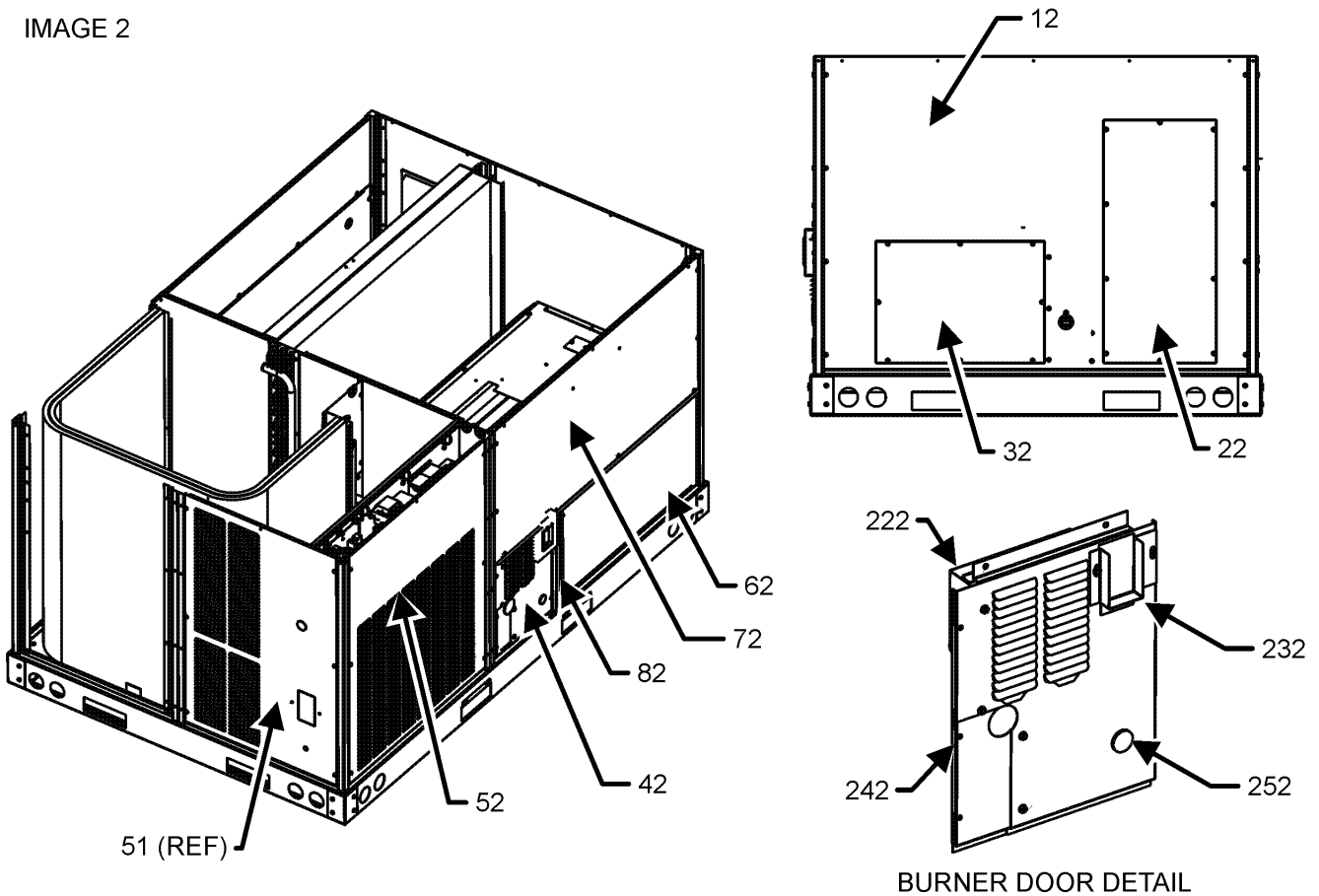


IMAGE 2



# Cabinet Assembly

Ref. Part No: No:	Description:	Ref. Part No: No:	Description:
-------------------	--------------	-------------------	--------------

**Image 1:**

11	0270L00363NG	FILTER DOOR
21	0121L00976NG	ECONOMIZER DOOR
31	0121L00343RFNG	SIDE POST (QTY 2)
41	0121L00344RFNG	CORNER POST (QTY 4)
51	0121L00354NG	LOUVERED COMPRESSOR PANEL (M1, M3, M5)
51	0121L00840NG	LOUVERED COMPRESSOR PANEL (M2, M4)
61	0121G00301	RAIL CORNER BRACKET (QTY 4)
71	0121L01169RFNG	SIDE POST (M1, M2, M3, M5)
71	0121L01382RFNG	SIDE POST (M4)
81	0121L00244RF	SIDE RAIL (QTY 2)
91	0121L00245	END RAIL (QTY 2)
201	0121L00889	BLOCKOFF-CONDENSER
211	0121L00349	COND MOUNTING ANGLE
221	0121L00939	CONDENSER BLOCKOFF PLATE
NS	0164L00009	GASKET-RUBBER, CPOST (QTY 3)
NS	0164L00011	GASKET-RUBBER, SIDE POST (QTY 3)

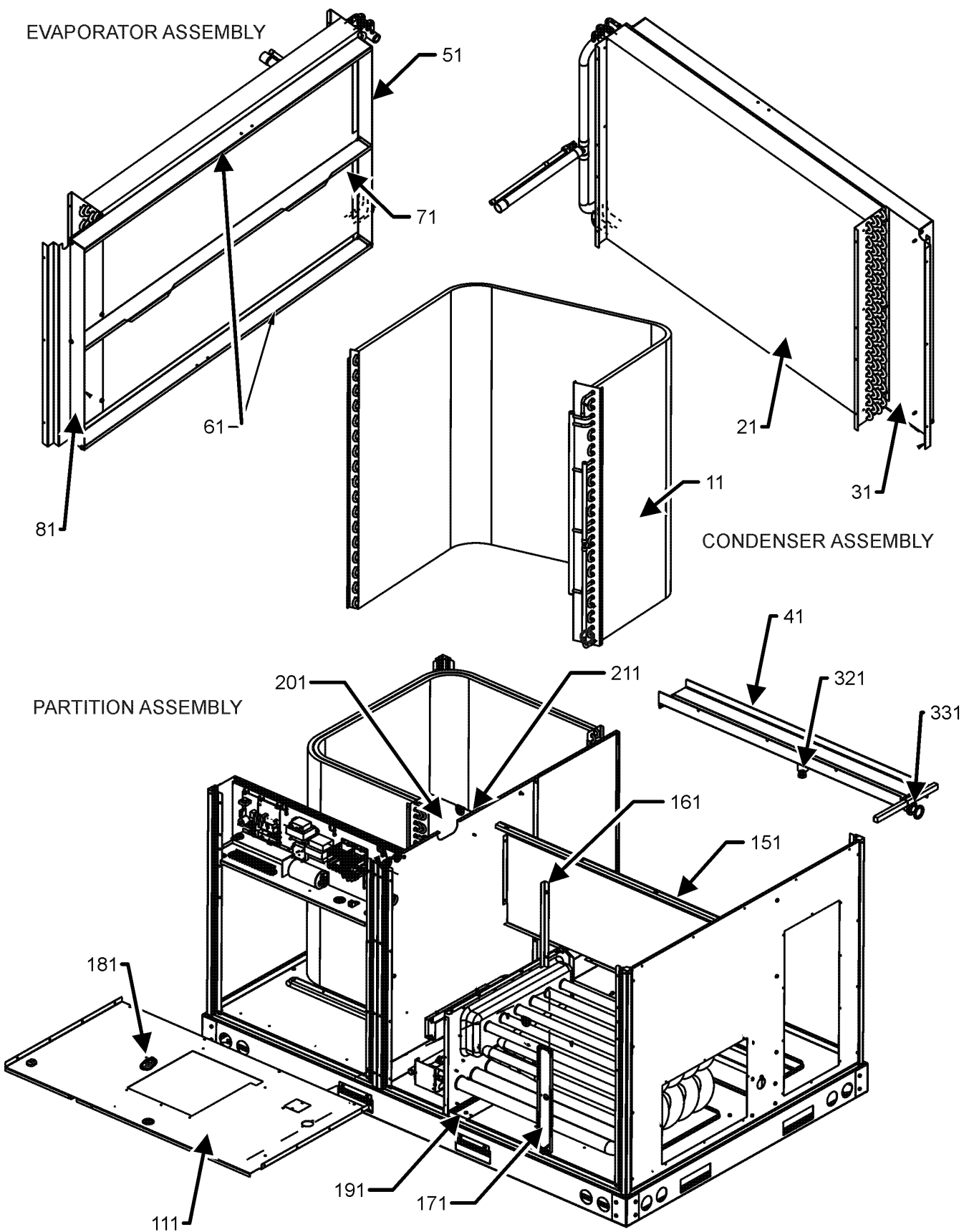
**Image 2:**

12	0121L00342NG	DUCT PANEL
22	0121L00023NG	RETURN DUCT COVER
32	0121L00024NG	SUPPLY DUCT COVER
42	0121L01438NG	BURNER DOOR
52	0121L01170NG	LOUVERED CONTROL PANEL (M1, M2, M3, M5)
52	0121L01348NG	LOUVERED CONTROL PANEL (M4)
62	0121L01108NG	HEAT EXCHANGER DOOR
72	0121L01172NG	BLOWER DOOR
82	0121L01110RFNG	BURNER POST
222	0121L01439	RAIN SHIELD DOOR
232	0121L01440NG	FLUE COLLAR
242	0121L01441NG	BURNER DOOR PANEL
252	B1392139	VIEW PORT BUSHING-BLOWER DOOR
NS	0141L00003X	FORK BOARD (QTY 2)
NS	0121L00055	FORK BOARD BRACKET (QTY 4)

**Expanded Model Nomenclature**

M1 - DCG0721403BXXXAC
M2 - DCG0721404BHGXGAC
M3 - DCG0721404BVXEAC
M4 - DCG0721404BWDXAC
M5 - DCG0721404BXXXAD

# Evaporator, Condenser and Partition Assy



# Evaporator, Condenser and Partition Assy

Ref. Part No: No:	Description:	Ref. Part No: No:	Description:
-------------------	--------------	-------------------	--------------

**Image 1:**

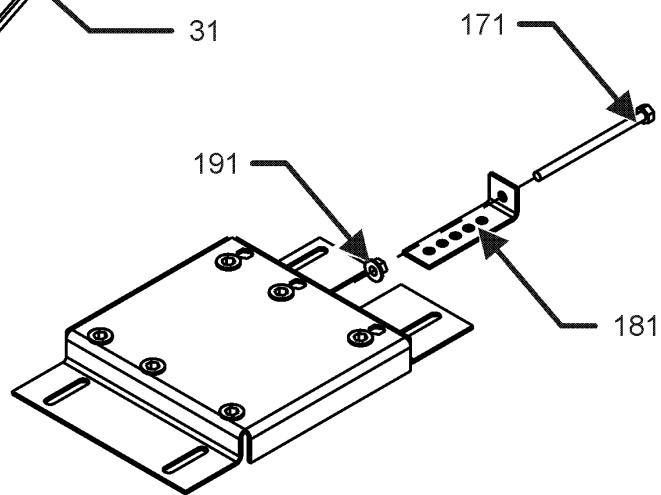
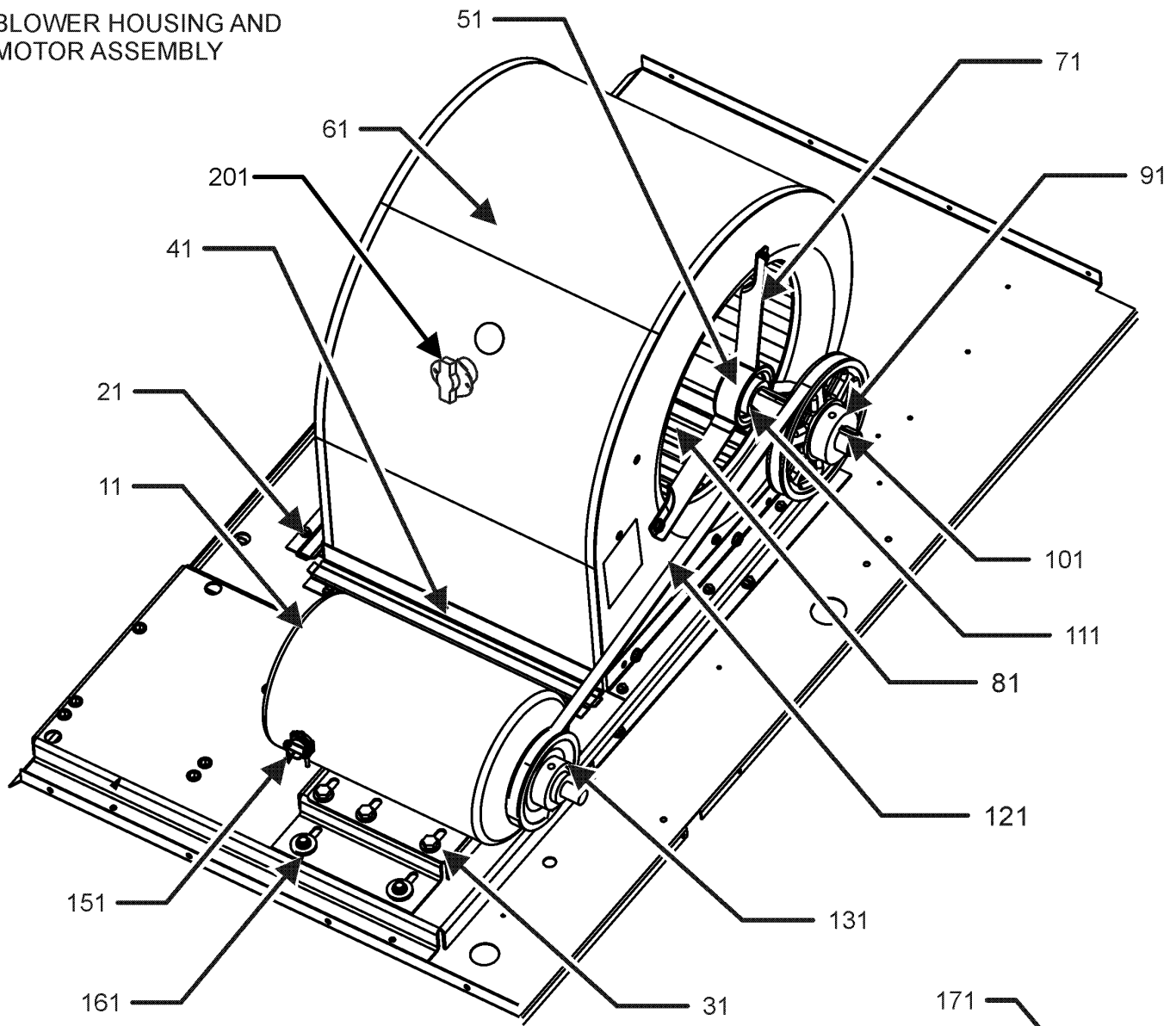
11	0201L00145	CONDENSER COIL ASSY
21	0202L00032	TUBING ASSY, EVAP COIL
31	0121L00345	BLOCKOFF-EVAPORATOR (M1, M3, M4, M5)
31	0121L00398	BLOCKOFF-EVAPORATOR (M2)
41	0161L00005	DRAIN PAN
51	0121L00357	FILTER ANGLE-VERTICAL (RETURN SIDE)
61	0121L00932	FILTER ANGLE-HORIZONTAL (QTY 2)
71	0121L01255	ANGLE-FILTER CENTER
81	0121L00358	FILTER ANGLE-VERTICAL (HAIRPIN SIDE)
111	0121L01575	BLOWER DECK
151	0121L02123	CHANNEL-DECK SIDE
161	0121L00293	BACK ANGLE-HEAT EXCHANGER (QTY 2)
171	0121L00300	SUPPORT POST-DECK
181	0130M00063	PRIMARY LIMIT - GOLD 140°
191	0121L00266	HEAT PANEL CHANNEL (QTY 2)
201	0121L00889	COND BLOCK-OFF
211	0121L00349	COND MOUNTING ANGLE
321	0163L00071	DRAIN PLUG
331	0154L00009	DRAIN PAN GASKET
NS	0160L00174	AIR FILTER 16 X 20 X 2 (QTY 4)
NS	0121L01377	BLOWER DECK SUPPORT (M4)
NS	0121L00939	CONDENSER BLOCKOFF PLATE
NS	0121L00238	DRAIN PAN SUPPORT
NS	0121L00321	SMOKE DETECTOR COVER

**Expanded Model Nomenclature**

M1 - DCG0721403BXXXAC
M2 - DCG0721404BHXGAC
M3 - DCG0721404BVXEAC
M4 - DCG0721404BWDXAC
M5 - DCG0721404BXXXAD

# Belt Drive Assembly

BLOWER HOUSING AND  
MOTOR ASSEMBLY



MOUNTING PLATE ASSEMBLY

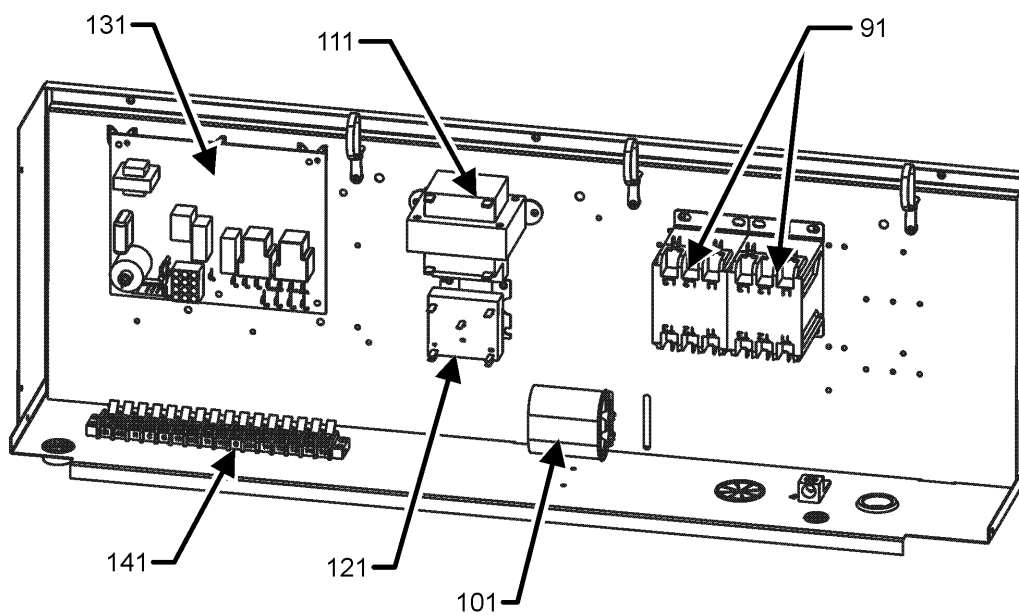
# Belt Drive Assembly

Ref. Part No:	No:	Description:	Ref. Part No:	No:	Description:
<i>Image 1:</i>					
11	B3240007	BELT DRIVE MOTOR 1.5 HP			
21	0121L00297	BLOWER SIDE ANGLE (QTY 3)			
31	0121L01619	MOTOR BASE			
41	0121L00281	BLOWER MOUNTING ANGLE			
51	0163L00005	BELT DRIVE BLOWER SHAFT			
61	2539302F	BLOWER HOUSING 11 X 10			
71	B3201300	MOUNTING BRACKET BEARING (QTY 2)			
81	B1368056	BELT DRIVE BLOWER WHEEL			
91	0163L00136	SHEAVE, FIXED AK59H			
101	B1398604	STEEL KEY (000158812) 2.0"			
111	B1399500	BALL BEARING 1.00" (QTY 2)			
121	0164L00010	FAN BELT, NOTCHED			
131	B2120014	VARIABLE PITCH SHEAVE 1VL44 X 7/8"			
151	B1393726	ELECT. CONNECTING BUSHING			
161	B1393738	BOLT 1/4-20 X 3/4" (QTY 8)			
171	0163M00045	BOLT 1/4-20 X 4"			
181	3225000F	BELT TIGHTENER ANGLE			
191	B1393023	NUT / LOCK .25-20			
201	0130F00037	PRIMARY LIMIT - GRAY 150°			
NS	1864703F	BLOWER CUT-OFF			
NS	B1398603	STEEL KEY (000158812) 4.5"			

## Expanded Model Nomenclature

- M1 - DCG0721403BXXXAC
- M2 - DCG0721404BHXGAC
- M3 - DCG0721404BVXEAC
- M4 - DCG0721404BWDXAC
- M5 - DCG0721404BXXXAD

# Control Box Assembly



# Control Box Assembly

Ref. Part No: No:	Description:	Ref. Part No: No:	Description:
-------------------	--------------	-------------------	--------------

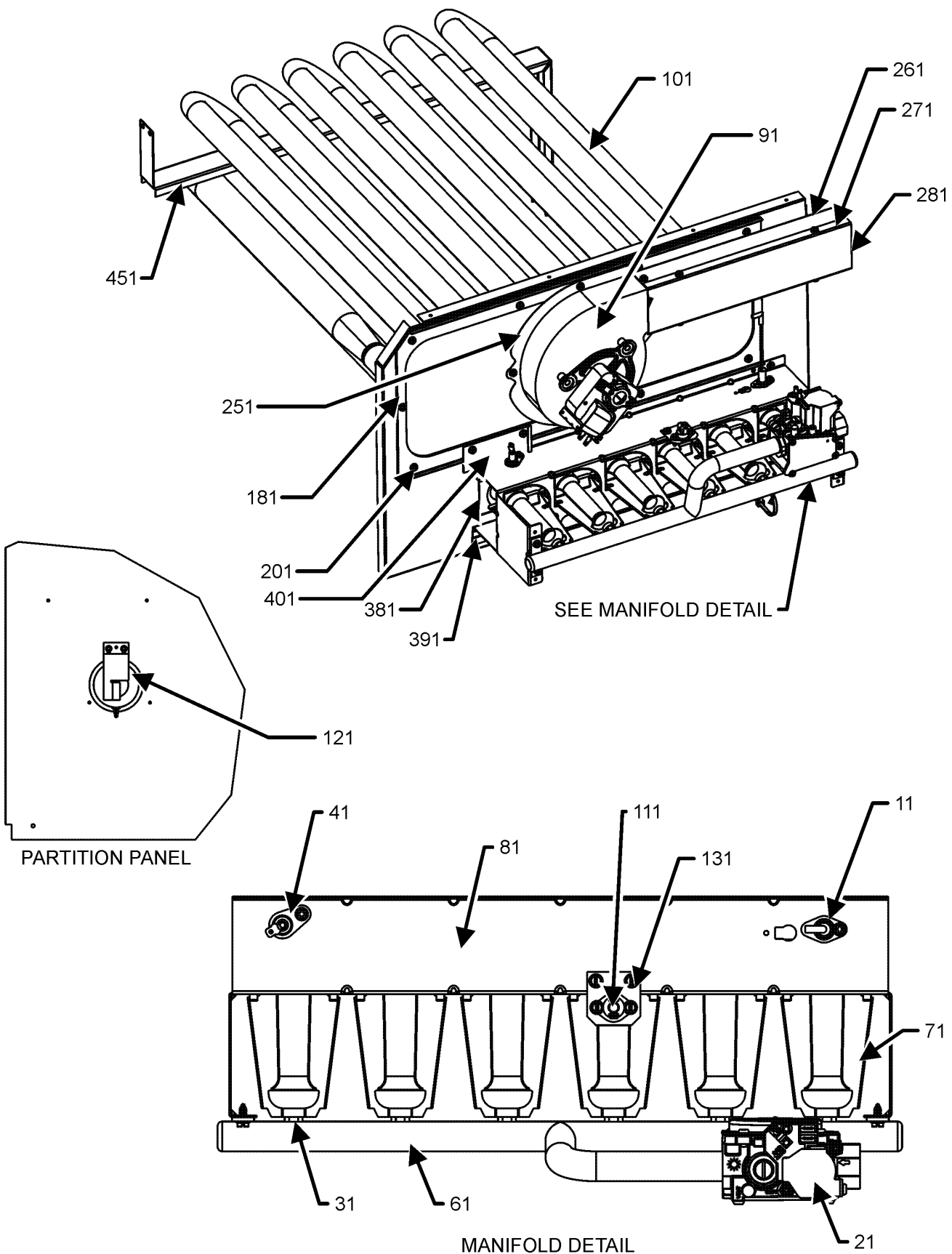
**Image 1:**

91	CONT3P025024V	CONTACTOR 25 AMP, 3P, 24V (M2, M3, M4, M5)
91	CONT3P030024V	CONTACTOR 30 AMP, 3P, 24V (M1)
101	CAP100000370LA	CAPACITOR 10/370V
111	0130M00138	TRANSFORMER 208/230, 24V (M1)
111	0130M00145	TRANSFORMER 480V to 24V, 75VA (M2, M3, M4, M5)
121	0130M00025	24V RELAY
131	PCBAG123	IGNITION BOARD, DSI INTEGRATED
141	0130M00038	TERMINAL BOARD
NS	20520901	CAPACITOR STRAP (QTY 4)
NS	0259L00074	CONTROL HARNESS (M1)
NS	0259L00179	HARNESS, ECONOMIZER
NS	0259L00128	HARNESS, WIRING
NS	0259L00090	WIRE HARNESS-SMOKE DETECTOR (M3)
NS	0259L00054	WIRING HARNESS
NS	0259L00069	WIRING HARNESS
NS	0259L00094	WIRING HARNESS

**Expanded Model Nomenclature**

- |                       |
|-----------------------|
| M1 - DCG0721403BXXXAC |
| M2 - DCG0721404BHXGAC |
| M3 - DCG0721404BVXEAC |
| M4 - DCG0721404BWDXAC |
| M5 - DCG0721404BXXXAD |

# Heat Exchanger Assembly



# Heat Exchanger Assembly

Ref. Part No:	No:	Description:	Ref. Part No:	No:	Description:
<b>Image 1:</b>					
11	20261709	IGNITOR			
21	0151F00000P	GAS VALVE - WHITE-RODGERS 2-STAGE			
31	0163F00018	ORIFICE (QTY 6)			
41	0130F00010	FLAME SENSOR			
61	0163L00025	MANIFOLD - 6 BRNR			
71	10735102	BECKETT BURNER (QTY 6)			
81	0121F00145	BURNER BRACKET 6B			
91	0131M00121	ID COMBUSTION BLOWER			
101	0270L00072	PART/TUBE ASSY 6B			
111	10123532	MANUAL RESET LIMIT 350°F			
121	11112501	PRESSURE SWITCH			
131	0121L00053	FLAME ROLLOUT BRACKET			
181	0154L00017	ID BLOWER PLATE GASKET 6 BRNR			
201	0121L00241	ID BLOWER PLATE			
251	0154L00020	ID BLOWER GASKET			
261	0121L00277	FLUE CHANNEL			
271	0121L00278	FLUE SIDE COVER			
281	0163L00072	SCREEEN-FLUE			
381	11072205	ORIFICE SHIELD			
391	0121L00267	BURNER SLIDE BRACKET			
401	0121L00268	RETAINER-BURNER ASSY			
451	0121L02618	BRACKET-HEAT EXCHANGER			
NS	A3468601	PRESSURE SWITCH HOSE			

## Expanded Model Nomenclature

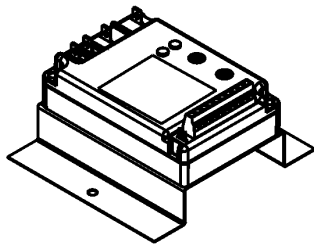
M1 - DCG0721403BXXXAC
M2 - DCG0721404BHGXGAC
M3 - DCG0721404BVXEAC
M4 - DCG0721404BWDXAC
M5 - DCG0721404BXXXAD

# Accessory Parts List

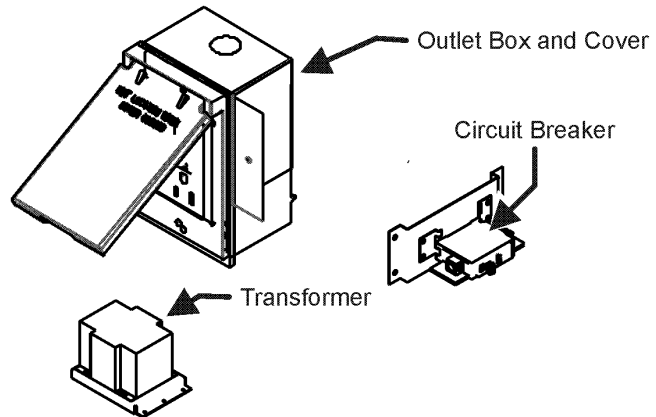
## ACCESSORY PARTS LIST

NOTE: NOT ALL OPTIONS AVAILABLE FOR ALL PRODUCTS

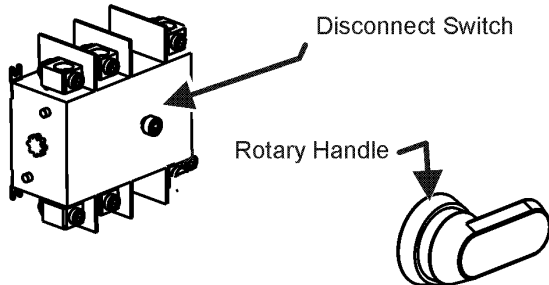
### 1 LOW AMBIENT KITS



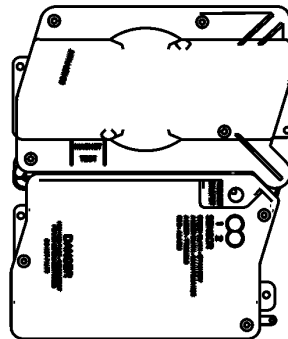
### 2 GFCI CONVENIENCE OUTLET



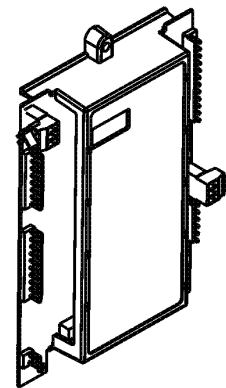
### 3 DISCONNECT MODULE (NON-FUSED)



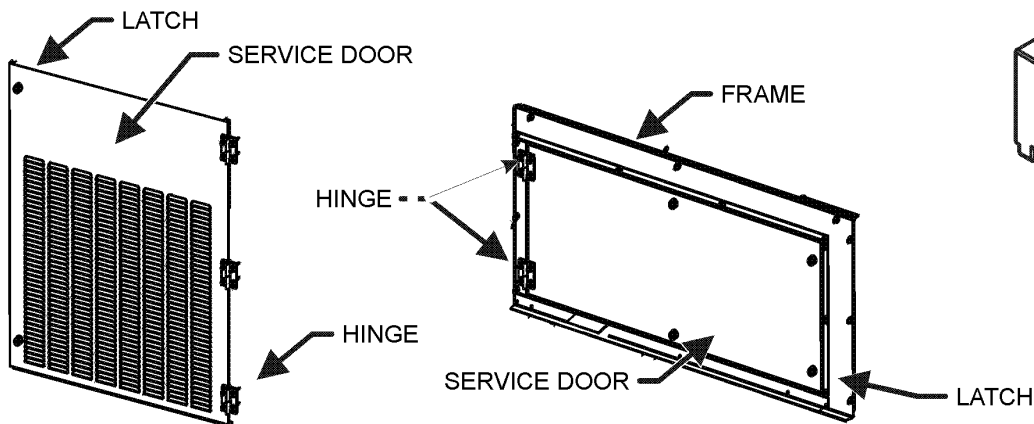
### 4 SMOKE DETECTORS



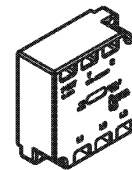
### 5 DDC CONTROL



### 6 HINGED DOOR ASSEMBLIES



### 7 PHASE MONITOR



# Accessory Parts List

Ref. Part No: No:	Description:	Ref. Part No: No:	Description:
-------------------	--------------	-------------------	--------------

**Image 1:**

NS DDNECNJ3672C	3-6 TON DFLOW ECONOMIZER (M3, M4)
NS 0121L01381NG	BLOWER DOOR FRAME (M4)
NS 0121L01379NG	BLOWER SERVICE DOOR, BACK (M4)
NS 0121L01378NG	BLOWER SERVICE DOOR, FRONT (M4)
NS 0121L01934	BRACKET SMOKE DETECTOR (M3)
NS 0121L00316	BRACKET-CONV OUTLET MOUNT (M2)
NS 0121L00835	BRACKET-DISCONNECT SWITCH (M2, M4)
NS 0121L00837NG	DISCONNECT COVER (M2, M4)
NS 0130L00012	GANG BOX-GFCI OUTLET (M2)
NS 0130L00039	HANDLE, ROTARY (M2, M4)
NS 0163M00307	HINGE, LEFT HAND (M4)
NS 0163M00308	HINGE, RIGHT HAND (M4)
NS 0163M00322	LATCH (M4)
NS 0121L01348NG	LOUVERED CP SERVICE DOOR (M4)
NS 0161G00012	POWER OUTLET BOX (M2)
NS 0130L00103	RECEPTACLE-GFCI OUTLET (M2)
NS 0130L00042	SHAFT, CUT (M2, M4)
NS 0130L00049	SHAFT, DISCONNECT (M2, M4)
NS D4120	SMOKE DETECTOR, PHOTO 4WIRE (M3)
NS 0130L00046	SWITCH-DISCONNECT 60A (M2, M4)

**Expanded Model Nomenclature**

- |                       |
|-----------------------|
| M1 - DCG0721403BXXXAC |
| M2 - DCG0721404BHXGAC |
| M3 - DCG0721404BVXEAC |
| M4 - DCG0721404BWDXAC |
| M5 - DCG0721404BXXXAD |