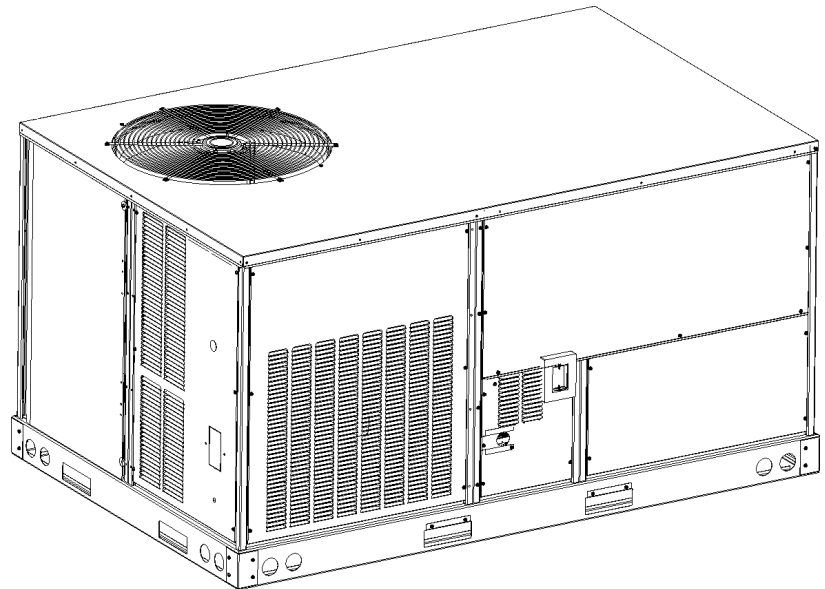


Commercial 6 Ton Package Gas Unit

DCG0721403BJXFAA
DCG0721403BAXGAA
DCG0721403BHXAAA
DCG0721403BHXBAA
DCG0721403BHXGAA
DCG0721403BHXXAA
DCG0721403BHXZAA
DCG0721403BJSFAA
DCG0721403BJSJAA
DCG0721403BJXAAA
DCG0721403BJXBAB
DCG0721403BJXGAA
DCG0721403BJXUAA
DCG0721403BJXXAA
DCG0721403BJXZAB
DCG0721403BIDXAA
DCG0721403BXSXAA
DCG0721403BXXCAA
DCG0721403BXXFAA
DCG0721403BXXXAA
DCG0721404BAXJAB
DCG0721404BHXAAC
DCG0721404BHXBAC
DCG0721404BJXFAB
DCG0721404BJXGAB
DCG0721404BXSXAB
DCG0721404BXXXAA
DCG0721404BXXXAB
DCG0721407BAXXAA
DCG0721407BXXXAA



This manual is to be used by qualified technicians only.

This manual replaces RP-D1006E.

Important Information

Index

Functional Parts List	3
Illustration and Parts	4 - 17

Views shown are for parts illustrations only, not servicing procedures

Text Codes:

AR - As Required

NA - Not Available

NS - Not Shown

00000000 - See Note

QTY - Quantity Example (QTY 3) (If Quantity not shown, Quantity = 1)

M - Model Example (M1) (If M Code not shown, then part is used on all Models)

Expanded Model Nomenclature:

Example M1 - Model#1 M2 - Model#2 M3 - Model#3

Daikin Company, L.P. is not responsible for personal injury or property damage resulting from improper service. Review all service information before beginning repairs.

Warranty service must be performed by an authorized technician, using authorized factory parts. If service is required after the warranty expires, Daikin Company, L.P. also recommends contacting an authorized technician and using authorized factory parts.

Daikin Company, L.P. reserves the right to discontinue, or change at any time, specifications or designs without notice or without incurring obligations.

For assistance within the U.S.A. contact:

Consumer Affairs Department
Daikin North America, LLC
7401 Security Way
Houston, Texas 77040
855-770-5678-Telephone
713-863-2382-Facsimile

For assistance outside the U.S.A. contact:

International Division
Daikin North America, LLC
7401 Security Way
Houston, Texas 77040
713-861-2500-Telephone
713-863-2382-Facsimile

Functional Parts

Part No: **Description:**

Part No:	Description:	Expanded Model Nomenclature
0130M00025	24V RELAY	M1 - DCG0721403BAXGAA
B1368056	BELT DRIVE BLOWER WHEEL	M2 - DCG0721403BHXAAX
B3240007	BELT DRIVE MOTOR 1.5 HP (M1, M2, M3, M4, M5, M6, M7, M8, M9, M10, M11, M12, M13, M14, M15, M16, M17, M18, M19, M20, M21, M22, M23, M24, M25, M26, M27, M28)	M3 - DCG0721403BHXBAA M4 - DCG0721403BHXXAA
0131L00004	BELT DRIVE MOTOR 1.5 HP 575V (M29, M30)	M5 - DCG0721403BHXZAA
CAP100000370LA	CAPACITOR 10/370V (M1, M2, M3, M4, M5, M6, M7, M8, M9, M10, M11, M12, M13, M14, M15, M16, M17, M18, M19, M20, M21, M22, M23, M24, M25, M26, M28)	M6 - DCG0721403BJSFAA
CAP050000370LA	CAPACITOR 5/370V (M27, M29, M30)	M7 - DCG0721403BJSJAA
ZP61KCETF5130	COMPRESSOR 61500, 200/230/60/3 (M1, M2, M3, M4, M5, M6, M7, M8, M9, M10, M11, M12, M13, M14, M15, M16, M17, M18, M19, M20)	M8 - DCG0721403BJXAAA
ZP61KCETFD130	COMPRESSOR 61500, 460/60/3 (M21, M22, M23, M24, M25, M26, M27, M28)	M9 - DCG0721403BJXBAB
ZP61KCETFE130	COMPRESSOR 61500, 575/60/3 (M29, M30)	M10 - DCG0721403BJXFAA
0131M00430	COND MOTOR 1/3 HP, 1 SP, 6 PL (M1, M2, M3, M4, M5, M6, M7, M8, M9, M10, M11, M12, M13, M14, M15, M16, M17, M18, M19, M20)	M11 - DCG0721403BJXGAA
B13400249	COND MOTOR 1/3 HP, 460V (M27)	M12 - DCG0721403BJXUAA
0131M00179	COND MOTOR 1/3 HP, 6 PL, 575V (M29, M30)	M13 - DCG0721403BJXXAA
0131M00433	COND MOTOR 460/60 1/3 HP (M21, M22, M23, M24, M25, M26, M28)	M14 - DCG0721403BJXZAB
CONT3P025024V	CONTACTOR 25 AMP, 3P, 24V (M21, M22, M23, M24, M25, M26, M27, M28, M29, M30)	M15 - DCG0721403BXDXAA
CONT3P030024V	CONTACTOR 30 AMP, 3P, 24V (M1, M2, M3, M4, M5, M6, M7, M8, M9, M10, M11, M12, M13, M14, M15, M16, M17, M18, M19, M20)	M16 - DCG0721403BXSXAA
0130M00074	CUT-OUT SWITCH, HIGH PRESSURE	M17 - DCG0721403BXXCAA
0130M00087	CUT-OUT SWITCH, LOW PRESSURE	M18 - DCG0721403BXXFAA
0164L00010	FAN BELT, NOTCHED	M19 - DCG0721403BXXXAA
0150G00004	FAN BLADE (M29, M30)	M20 - DCG0721404BAXJAB
B1086765	FAN BLADE TYPE 3 (M1, M2, M3, M4, M5, M6, M7, M8, M9, M10, M11, M12, M13, M14, M15, M16, M17, M18, M19, M20, M21, M22, M23, M24, M25, M26, M27, M28)	M21 - DCG0721404BHXAAAC
0151F00000P	GAS VALVE - WHITE-RODGERS 2-STAGE	M22 - DCG0721404BHXBAB
PCBAG123	IGNITION BOARD, DSI INTEGRATED	M23 - DCG0721404BJXFAB
20261709	IGNITOR	M24 - DCG0721404BJXGAB
10123532	MANUAL RESET LIMIT 350°F	M25 - DCG0721404BXSXAB
11112501	PRESSURE SWITCH	M26 - DCG0721404BXXXAA
0130M00063	PRIMARY LIMIT - GOLD 140°	M27 - DCG0721404BXXXAB
0130F00037	PRIMARY LIMIT - GRAY 150°	M28 - DCG0721407BAXXAA
0130M00038	TERMINAL BOARD	M29 - DCG0721407BAXXAA
0130M00138	TRANSFORMER 208/230, 24V (M1, M2, M3, M4, M5, M6, M7, M8, M9, M10, M11, M12, M13, M14, M15, M16, M17, M18, M19, M20)	M30 - DCG0721407BAXXAA
0130M00146	TRANSFORMER 480V TO 230V, 150VA (M21, M22, M23, M24, M25, M26, M27, M28)	
0130M00145	TRANSFORMER 480V to 24V, 75VA (M21, M22, M23, M24, M25, M26, M27, M28)	
0130M00147	TRANSFORMER 575V TO 230V, 150VA (M29, M30)	
0130M00148	TRANSFORMER 575V to 24V, 75VA (M29, M30)	

Top Panel/Tubing Assy

Image 1

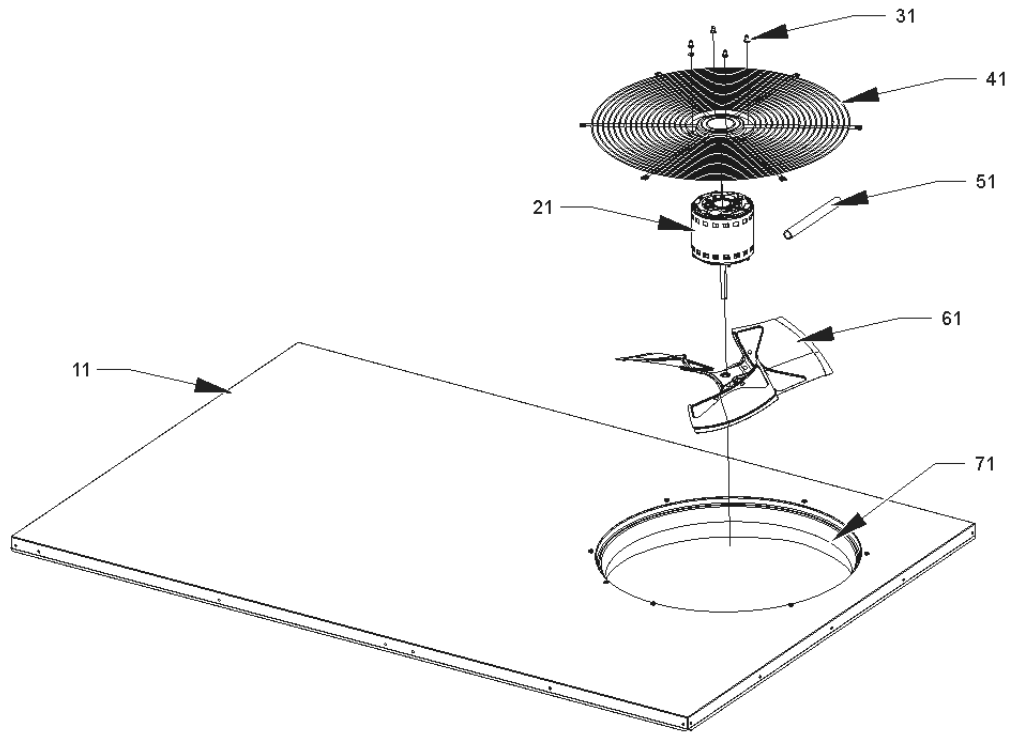
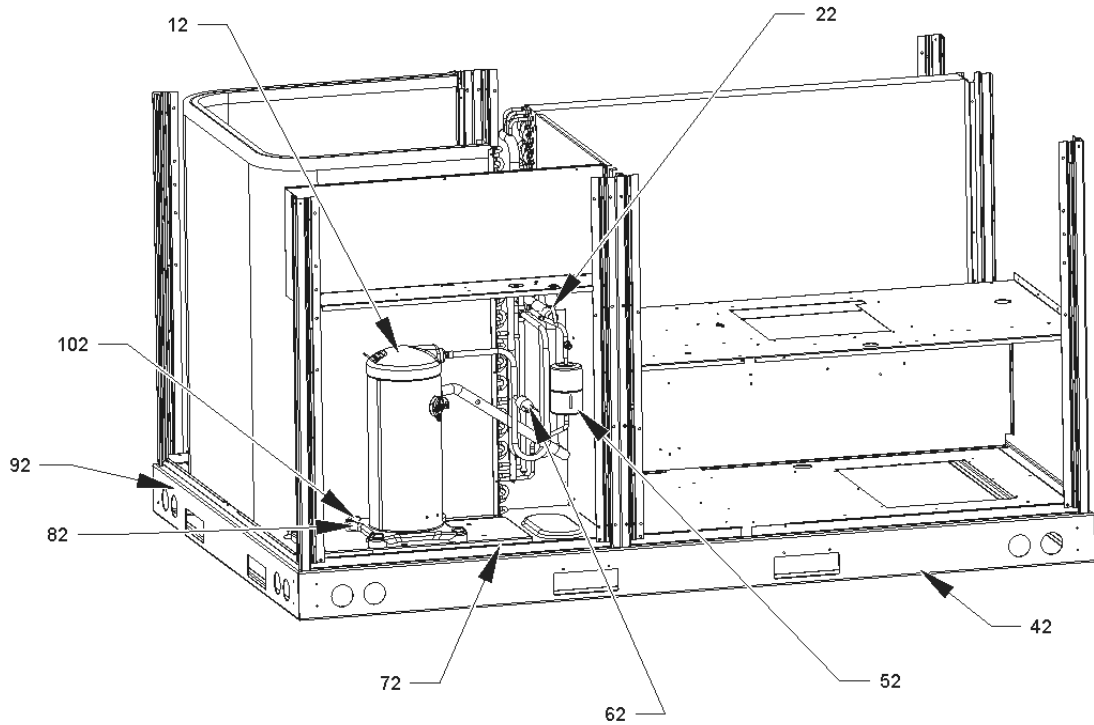


Image 2



Top Panel/Tubing Assy

Ref. Part No: No:	Description:	Ref. Part No: No:	Description:
Image 1:		Expanded Model Nomenclature	
11	0121L00235NG TOP PANEL	M1	- DCG0721403BAXGAA
21	0131M00430 COND MOTOR 1/3 HP, 1 SP, 6 PL (M1, M2, M3, M4, M5, M6, M7, M8, M9, M10, M11, M12, M13, M14, M15, M16, M17, M18, M19, M20)	M2	- DCG0721403BHAAAA
21	B13400249 COND MOTOR 1/3 HP, 460V (M27)	M3	- DCG0721403BHBAA
21	0131M00179 COND MOTOR 1/3 HP, 6 PL, 575V (M29, M30)	M4	- DCG0721403BHXGAA
21	0131M00433 COND MOTOR 460/60 1/3 HP (M21, M22, M23, M24, M25, M26, M28)	M5	- DCG0721403BHXXAA
31	0163M00006P ACORN NUT 5/16 HEX BLACK (QTY 4)	M6	- DCG0721403BHXZAA
41	0152G00003 FAN GRILLE	M7	- DCG0721403BJSFAA
51	17788000083F PVC CONDUIT 8.25"	M8	- DCG0721403BJSJAA
61	0150G00004 FAN BLADE (M29, M30)	M9	- DCG0721403BJXAAA
61	B1086765 FAN BLADE TYPE 3 (M1, M2, M3, M4, M5, M6, M7, M8, M9, M10, M11, M12, M13, M14, M15, M16, M17, M18, M19, M20, M21, M22, M23, M24, M25, M26, M27, M28)	M10	- DCG0721403BJXBAB
71	0161L00000 VENTURI RING 22"	M11	- DCG0721403BJXFAA
Image 2:		M12	- DCG0721403BJXGAA
12	ZP61KCETF5130 COMPRESSOR 61500, 200/230/60/3 (M1, M2, M3, M4, M5, M6, M7, M8, M9, M10, M11, M12, M13, M14, M15, M16, M17, M18, M19, M20)	M13	- DCG0721403BJXUAA
12	ZP61KCETFD130 COMPRESSOR 61500, 460/60/3 (M21, M22, M23, M24, M25, M26, M27, M28)	M14	- DCG0721403BJXXAA
12	ZP61KCETFE130 COMPRESSOR 61500, 575/60/3 (M29, M30)	M15	- DCG0721403BJXZAB
22	0130M00087 CUT-OUT SWITCH, LOW PRESSURE	M16	- DCG0721403BXDXAA
42	0121L00244RF SIDE RAIL (QTY 2)	M17	- DCG0721403BXSXAA
52	20485201 BI-FLOW FILTER DRIER	M18	- DCG0721403BXXCAA
62	0130M00074 CUT-OUT SWITCH, HIGH PRESSURE	M19	- DCG0721403BXXFAA
72	0121L00310 COMPRESSOR MOUNTING PLATE	M20	- DCG0721403BXXXAA
82	B1339533 COMPRESSOR GROMMET (QTY 4)	M21	- DCG0721404BAXJAB
92	0121L00245 END RAIL (QTY 2)	M22	- DCG0721404BHXAAC
102	M0221641 TF SHOULDER SCREW (QTY 4)	M23	- DCG0721404BHXBAC
NS	0159L00028 COMPRESSOR SCROLL HARNESS	M24	- DCG0721404BJXFAB
		M25	- DCG0721404BJXGAB
		M26	- DCG0721404BXSXAB
		M27	- DCG0721404BXXXAA
		M28	- DCG0721404BXXXAB
		M29	- DCG0721407BAXXAA
		M30	- DCG0721407BXXXAA

Cabinet Assy

Image 1

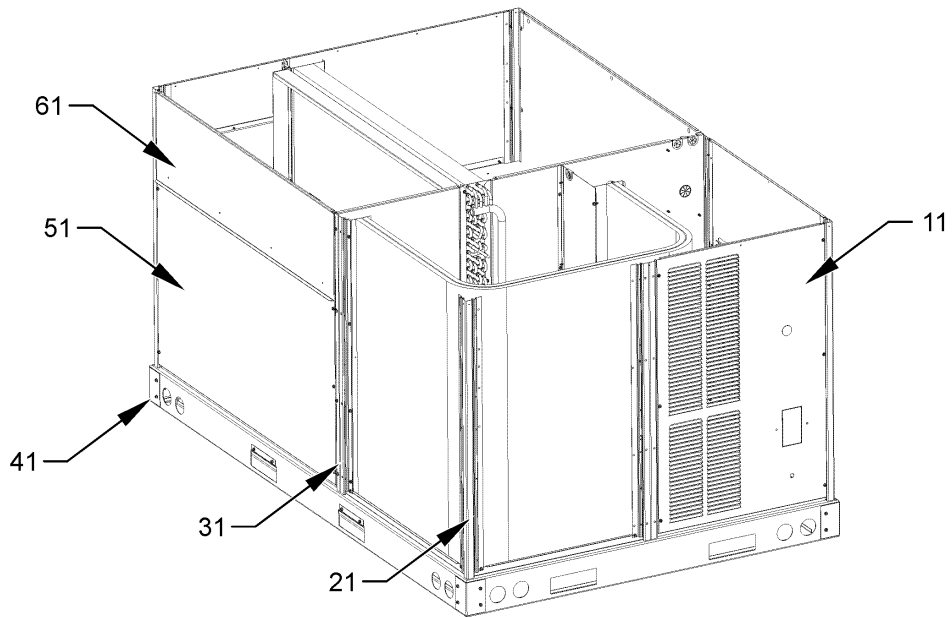
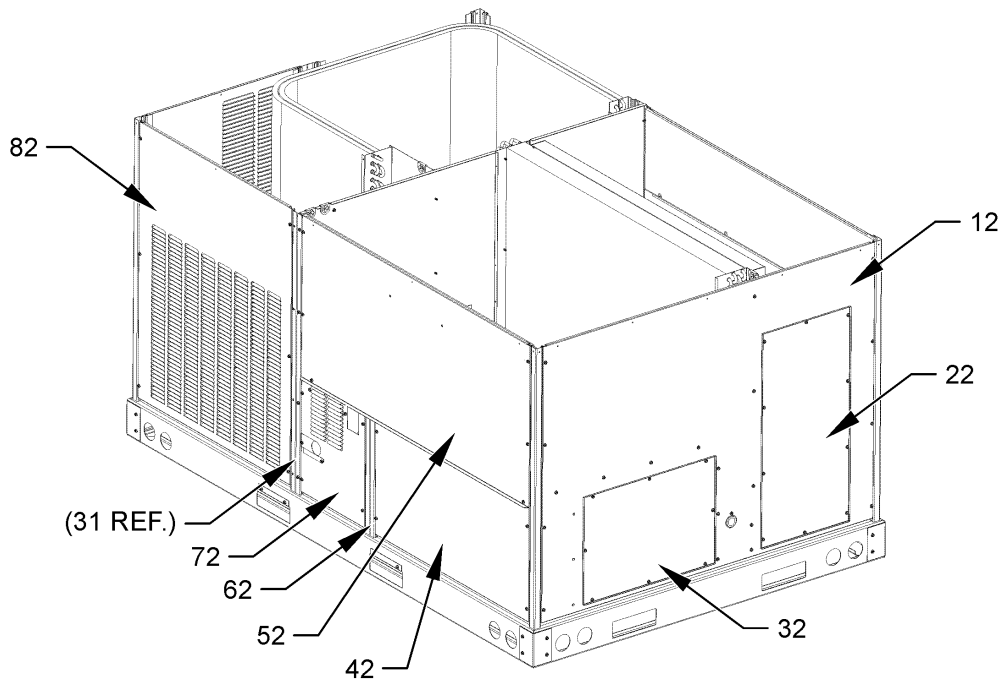


Image 2



Cabinet Assy

Ref. Part No: No:	Description:	Ref. Part No: No:	Description:
Image 1:		Expanded Model Nomenclature	
11	0121L00354NG LOUVERED COMPRESSOR PANEL	M1	- DCG0721403BAXGAA
21	0121L00344RFNG CORNER POST (QTY 4)	M2	- DCG0721403BHXAAA
21	0121L01383RFNG CORNER POST (M16)	M3	- DCG0721403BHXBAA
31	0121L00343RFNG POST-SIDE SUPPORT (QTY 3)	M4	- DCG0721403BHXGAA
31	0121L01382RFNG POST-SIDE SUPPORT (M16)	M5	- DCG0721403BHXXAA
41	0121G00301 RAIL CORNER BRACKET (QTY 4)	M6	- DCG0721403BHXZAA
51	0121L00976NG ECONOMIZER DOOR	M7	- DCG0721403BJSFAA
61	0270L00363NG FILTER DOOR	M8	- DCG0721403BJSJAA
NS	0164L00009 GASKET-RUBBER, CPOST (QTY 3)	M9	- DCG0721403BJXAAA
NS	0164L00011 GASKET-RUBBER, SIDE POST (QTY 4)	M10	- DCG0721403BJXBAB
Image 2:		M11	- DCG0721403BJXFAA
12	0121L00342NG DUCT PANEL	M12	- DCG0721403BJXGAA
22	0121L00023NG RETURN DUCT COVER	M13	- DCG0721403BJXUAA
32	0121L00024NG SUPPLY DUCT COVER	M14	- DCG0721403BJXXAA
42	0121L00257NG HEAT EXCHANGER DOOR (M1, M2, M3, M4, M5, M6, M7, M8, M9, M11, M12, M13, M14, M17, M18, M19, M20, M21, M24, M25, M26, M27, M28, M29, M30)	M15	- DCG0721403BJXZAB
42	0121L01108NG HEAT EXCHANGER DOOR (M10, M15, M16, M22, M23)	M16	- DCG0721403BXDXAA
52	0121L00346NG BLOWER DOOR (M1, M2, M3, M4, M5, M6, M7, M8, M9, M11, M12, M13, M14, M17, M18, M19, M20, M21, M24, M25, M26, M27, M28, M29, M30)	M17	- DCG0721403BXSXAA
52	0121L01172NG BLOWER DOOR (M10, M15, M16, M22, M23)	M18	- DCG0721403BXXCAA
62	0121L01110RFNG BURNER POST (M16)	M19	- DCG0721403BXXFAA
62	0121L00255RFNG POST-BURNER DOOR (M1, M2, M3, M4, M5, M6, M7, M8, M9, M11, M12, M13, M14, M17, M18, M19, M20, M21, M24, M25, M26, M27, M28, M29, M30)	M20	- DCG0721403BXXXAA
72	0121L00706NG BURNER DOOR (M1, M2, M3, M4, M5, M6, M7, M8, M9, M11, M12, M13, M14, M17, M18, M19, M20, M21, M24, M25, M26, M27, M28, M29, M30)	M21	- DCG0721404BAXJAB
72	0121L01109NG BURNER DOOR (M10, M15, M16, M22, M23)	M22	- DCG0721404BHXAAC
82	0121L00353NG LOUVERED CONTROL PANEL (M1, M2, M3, M4, M5, M6, M7, M8, M9, M11, M12, M13, M14, M17, M18, M19, M20, M21, M24, M25, M26, M27, M28, M29, M30)	M23	- DCG0721404BHXBAC
82	0121L01170NG LOUVERED CONTROL PANEL (M10, M15, M16, M22, M23)	M24	- DCG0721404BJXFAB
NS	0121L00295NG FLUE COLLAR (M1, M2, M3, M4, M5, M6, M7, M8, M9, M11, M12, M13, M14, M17, M18, M19, M20, M21, M24, M25, M26, M27, M28, M29, M30)	M25	- DCG0721404BJXGAB
NS	0121L01175NG FLUE COLLAR (M10, M15, M16, M22, M23)	M26	- DCG0721404BXSXAB
NS	0121L00689 RAIN SHIELD-DOOR	M27	- DCG0721404BXXXAA
		M28	- DCG0721404BXXXAB
		M29	- DCG0721407BAXXAA
		M30	- DCG0721407BXXXAA

Partition Assy

Image 1

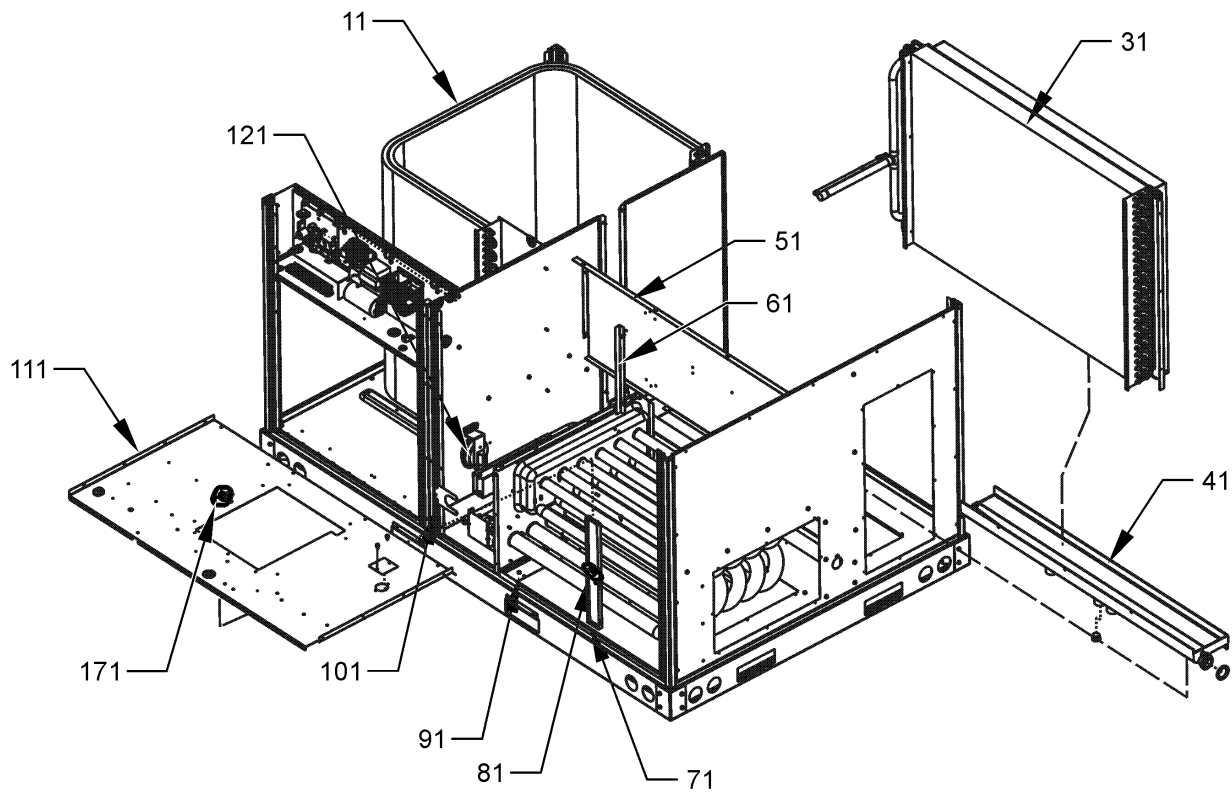
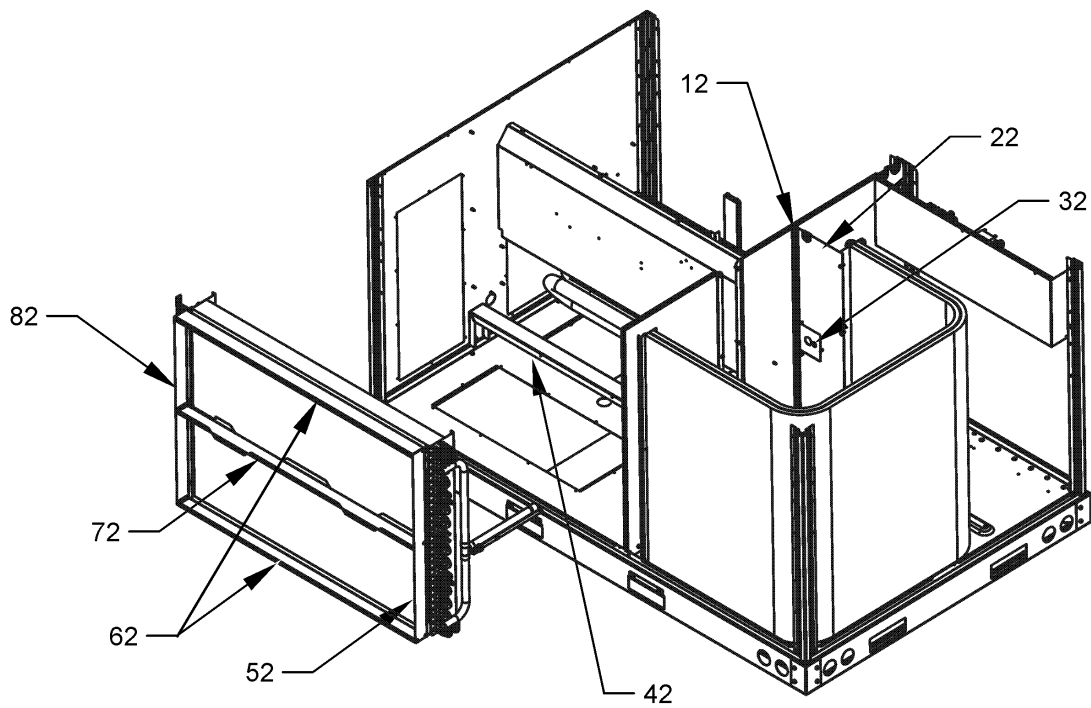


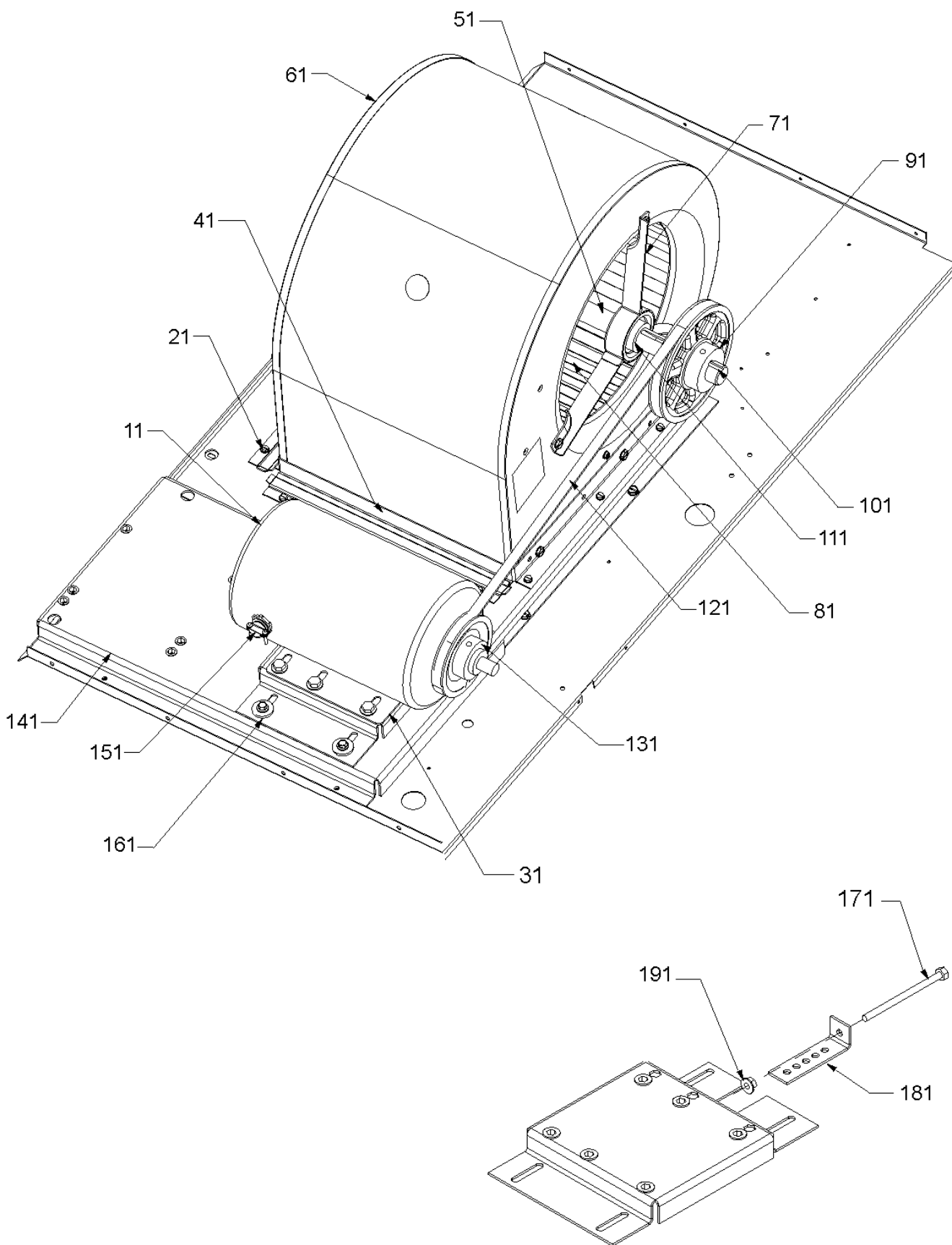
Image 2



Partition Assy

Ref. Part No: No:	Description:	Ref. Part No: No:	Description:
Image 1:		Expanded Model Nomenclature	
11	0201L00145 TUBING ASSY, COND COIL	M1	- DCG0721403BAXGAA
31	0202L00032 TUBING ASSY, EVAP COIL	M2	- DCG0721403BHXAAA
41	0161L00005 DRAIN PAN	M3	- DCG0721403BHXBAA
51	0121L00243 DECK SIDE CHANNEL	M4	- DCG0721403BHXGAA
61	0121L00293 BACK ANGLE-HEAT EXCHANGER (QTY 2)	M5	- DCG0721403BHXXAA
71	0121L00300 SUPPORT POST-DECK	M6	- DCG0721403BHXZAA
81	0130M00063 PRIMARY LIMIT - GOLD 140°	M7	- DCG0721403BJSFAA
91	0121L00266 HEAT PANEL CHANNEL (QTY 2)	M8	- DCG0721403BJSJAA
101	0121L00299NG GAS VALVE BRACKET (M1, M2, M3, M4, M5, M6, M7, M8, M9, M11, M12, M13, M14, M17, M18, M19, M20, M21, M24, M25, M26, M27, M28, M29, M30)	M9	- DCG0721403BJXAAA
101	0121L01171NG GAS VALVE BRACKET (M10, M15, M16, M22, M23)	M10	- DCG0721403BJXBAB
111	0121L01205 BLOWER DECK (M1, M2, M3, M4, M5, M6, M7, M8, M9, M11, M12, M13, M14, M17, M18, M19, M20, M21, M24, M25, M26, M27, M28, M29, M30)	M11	- DCG0721403BJXFAA
111	0121L01376 BLOWER DECK (M10, M15, M16, M22, M23)	M12	- DCG0721403BJXGAA
121	11112501 PRESSURE SWITCH	M13	- DCG0721403BJXUAA
171	0130F00037 PRIMARY LIMIT - GRAY 150°	M14	- DCG0721403BJXXAA
NS	A3468601 PRESSURE SWITCH HOSE	M15	- DCG0721403BJXZAB
NS	0121L00321 SMOKE DETECTOR COVER	M16	- DCG0721403BXDXAA
Image 2:		M17	- DCG0721403BXSXAA
12	0121L00349 COND MOUNTING ANGLE	M18	- DCG0721403BXXCAA
22	0121L00889 BLOCKOFF-CONDENSER	M19	- DCG0721403BXXFAA
32	0121L00939 CONDENSER BLOCKOFF PLATE	M20	- DCG0721403BXXXAA
42	0121L00238 DRAIN PAN SUPPORT	M21	- DCG0721404BAXJAB
52	0121L00357 FILTER ANGLE-VERTICAL (RETURN SIDE)	M22	- DCG0721404BHXAAC
62	0121L00932 FILTER ANGLE-HORIZONTAL (QTY 2)	M23	- DCG0721404BHXBAC
72	0121L01255 ANGLE-FILTER CENTER	M24	- DCG0721404BJXFAB
82	0121L00358 FILTER ANGLE-VERTICAL (HAIRPIN SIDE)	M25	- DCG0721404BJXGAB
NS	0160L00134 Air Filter 16x20x2 (M1, M2, M3, M4, M5, M6, M7, M8, M9, M10, M11, M12, M13, M14, M15, M16, M17, M18, M19, M20, M21, M22, M23, M24, M25, M26, M28, M29, M30)	M26	- DCG0721404BXSXAB
NS	B1369608 AIR FILTER 20 X 16 X 2 (M27)	M27	- DCG0721404BXXXAA
		M28	- DCG0721404BXXXAB
		M29	- DCG0721407BAXXAA
		M30	- DCG0721407BXXXAA

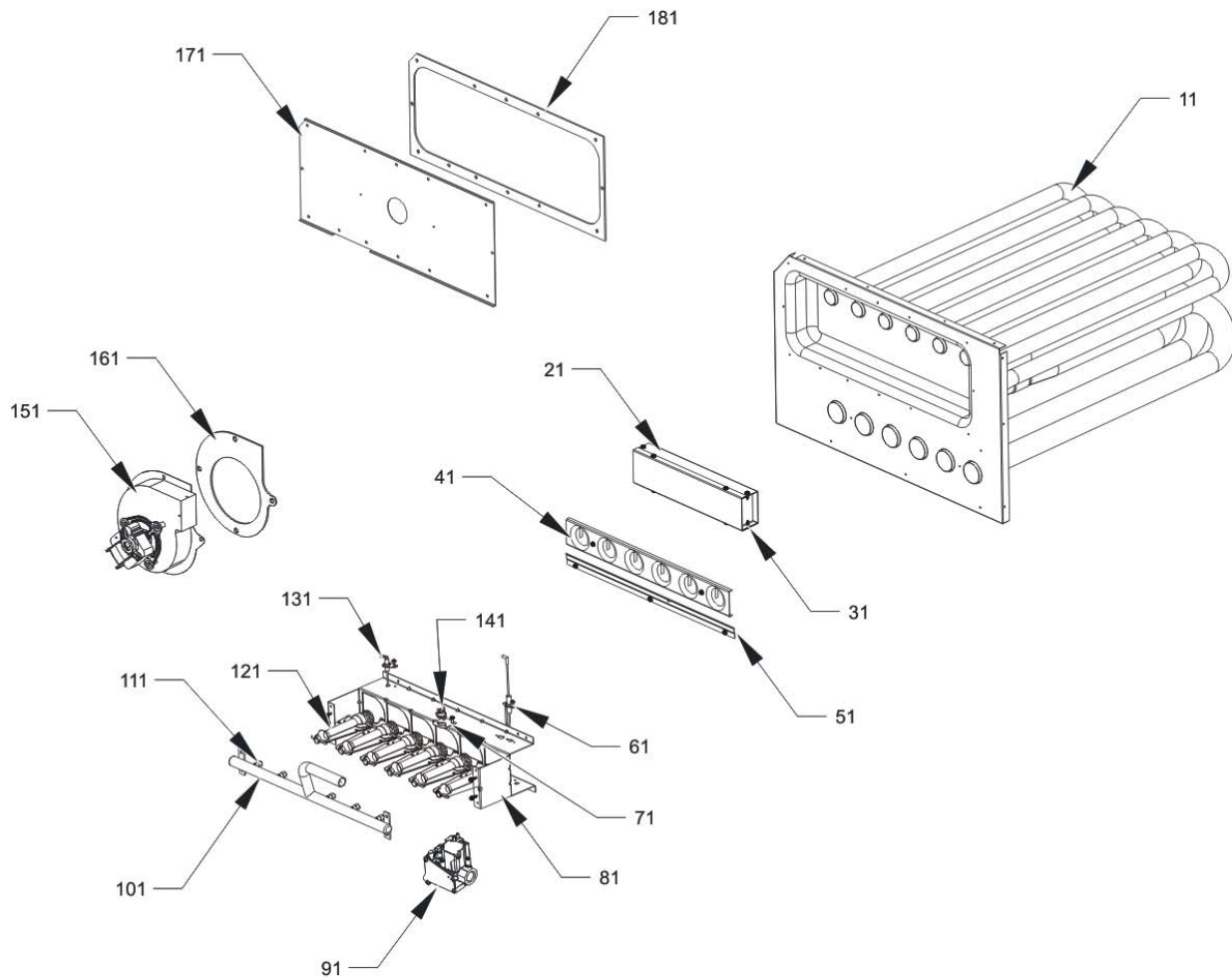
Belt Drive Assy



Belt Drive Assy

Ref. Part No: No:	Description:	Ref. Part No: No:	Description:
Image 1:		Expanded Model Nomenclature	
11	B3240007		BELT DRIVE MOTOR 1.5 HP (M1, M2, M3, M4, M5, M6, M7, M8, M9, M10, M11, M12, M13, M14, M15, M16, M17, M18, M19, M20, M21, M22, M23, M24, M25, M26, M27, M28)
11	0131L00004		BELT DRIVE MOTOR 1.5 HP 575V (M29, M30)
21	0121L00297		BLOWER SIDE ANGLE (QTY 3)
31	0121L00899		MOTOR BASE
41	0121L00281		BLOWER MOUNTING ANGLE
51	0163L00005		BELT DRIVE BLOWER SHAFT
61	2539302F		BLOWER HOUSING 11 X 10
71	B3201300		MOUNTING BRACKET BEARING (QTY 2)
81	B1368056		BELT DRIVE BLOWER WHEEL
91	0163L00031		FIXED SHEAVE AK59
101	B1398604		STEEL KEY (000158812) 2.0"
111	B1399500		BALL BEARING 1.00" (QTY 2)
121	0164L00010		FAN BELT, NOTCHED
131	B2120001		VARIABLE PITCH SHEAVE 1VL44 X 3/8" (M29, M30)
131	B2120014		VARIABLE PITCH SHEAVE 1VL44 X 7/8" (M1, M2, M3, M4, M5, M6, M7, M8, M9, M10, M11, M12, M13, M14, M15, M16, M17, M18, M19, M20, M21, M22, M23, M24, M25, M26, M27, M28)
141	0121L01203		BLOWER PLATE SUPPORT
151	B1393726		ELECT. CONNECTING BUSHING
161	B1393738		BOLT 1/4-20 X 3/4" (QTY 8)
171	0163M00045		BOLT 1/4-20 X 4"
181	3225000F		BELT TIGHTENER ANGLE
191	B1393023		NUT / LOCK .25-20
NS	1864703F		BLOWER CUT-OFF
NS	B1398603		STEEL KEY (000158812) 4.5"
		M1	- DCG0721403BAXGAA
		M2	- DCG0721403BHXAAA
		M3	- DCG0721403BHXBAA
		M4	- DCG0721403BHXGAA
		M5	- DCG0721403BHXXAA
		M6	- DCG0721403BHXZAA
		M7	- DCG0721403BJSFAA
		M8	- DCG0721403BJSJAA
		M9	- DCG0721403BJXAAA
		M10	- DCG0721403BJXBAB
		M11	- DCG0721403BJXFAA
		M12	- DCG0721403BJXGAA
		M13	- DCG0721403BJXUAA
		M14	- DCG0721403BJXXAA
		M15	- DCG0721403BJXZAB
		M16	- DCG0721403BXDXAA
		M17	- DCG0721403BXSXAA
		M18	- DCG0721403BXXCAA
		M19	- DCG0721403BXXFAA
		M20	- DCG0721403BXXXAA
		M21	- DCG0721404BAXJAB
		M22	- DCG0721404BHXAAC
		M23	- DCG0721404BHXBAC
		M24	- DCG0721404BJXFAB
		M25	- DCG0721404BJXGAB
		M26	- DCG0721404BXSXAB
		M27	- DCG0721404BXXXAA
		M28	- DCG0721404BXXXAB
		M29	- DCG0721407BAXXAA
		M30	- DCG0721407BXXXAA

Heat Exchanger



Heat Exchanger

**Ref. Part
No: No:**

Description:

**Ref. Part
No: No:**

Description:

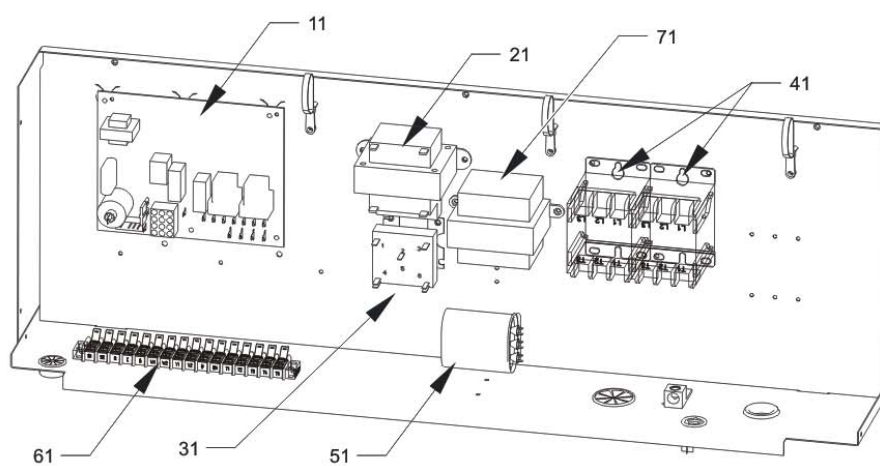
Image 1:

11	0270L00072	PART/TUBE ASSY 6B (M1, M2, M3, M4, M5, M6, M9, M10, M11, M12, M13, M14, M15, M16, M18, M19, M20, M21, M22, M23, M24, M25, M27, M28, M29, M30)
11	0270L00104	PART/TUBE ASSY 6B (M7, M8, M17, M26)
21	0121L00277	FLUE CHANNEL
31	0121L00278	FLUE SIDE COVER
41	11072205	ORIFICE SHIELD
51	0121L00267	BURNER SLIDE BRACKET
61	20261709	IGNITOR
71	0121L00053	FLAME ROLLOUT BRACKET
81	0121F00145	BURNER BRACKET 6B
91	0151F00000P	GAS VALVE - WHITE-RODGERS 2-STAGE
101	0163L00025	MANIFOLD - 6 BRNR
111	0163F00018	ORIFICE (QTY 6)
121	10735102	BECKETT BURNER (QTY 6)
131	0130F00010	FLAME SENSOR
141	10123532	MANUAL RESET LIMIT 350°F
151	0131M00121	ID COMBUSTION BLOWER
161	0154L00020	ID BLOWER GASKET
171	0121L00241	ID BLOWER PLATE
181	0154L00017	ID BLOWER PLATE GASKET 6 BRNR
NS	0163L00072	SCREEN-FLUE

Expanded Model Nomenclature

M1 - DCG0721403BAXGAA
M2 - DCG0721403BHAAAA
M3 - DCG0721403BHXBAA
M4 - DCG0721403BHXGAA
M5 - DCG0721403BHXXAA
M6 - DCG0721403BHXZAA
M7 - DCG0721403BJSFAA
M8 - DCG0721403BJSJAA
M9 - DCG0721403BJXAAA
M10 - DCG0721403BJXBAB
M11 - DCG0721403BJXFAB
M12 - DCG0721403BJXGAA
M13 - DCG0721403BJXUAA
M14 - DCG0721403BJXXAA
M15 - DCG0721403BJXZAB
M16 - DCG0721403BXDXAA
M17 - DCG0721403BXSXAA
M18 - DCG0721403BXXCAA
M19 - DCG0721403BXXFAA
M20 - DCG0721403BXXXAA
M21 - DCG0721404BAXJAB
M22 - DCG0721404BHXAAC
M23 - DCG0721404BHXBAC
M24 - DCG0721404BJXFAB
M25 - DCG0721404BJXGAB
M26 - DCG0721404BXSXAB
M27 - DCG0721404BXXXAA
M28 - DCG0721404BXXXAB
M29 - DCG0721407BAXXAA
M30 - DCG0721407BXXXAA

Control Panel Assy



Control Panel Assy

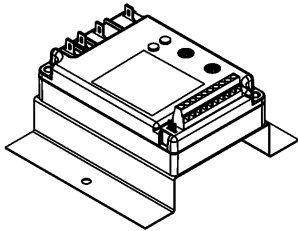
Ref. Part No: No:	Description:	Ref. Part No: No:	Description:
<i>Image 1:</i>		Expanded Model Nomenclature	
11	PCBAG123	IGNITION BOARD, DSI INTEGRATED	M1 - DCG0721403BAXGAA
21	0130M00138	TRANSFORMER 208/230, 24V (M1, M2, M3, M4, M5, M6, M7, M8, M9, M10, M11, M12, M13, M14, M15, M16, M17, M18, M19, M20)	M2 - DCG0721403BHAAAA
21	0130M00145	TRANSFORMER 480V to 24V, 75VA (M21, M22, M23, M24, M25, M26, M27, M28)	M3 - DCG0721403BHXBAA
21	0130M00147	TRANSFORMER 575V TO 230V, 150VA (M29, M30)	M4 - DCG0721403BHXGAA
31	0130M00025	24V RELAY	M5 - DCG0721403BHXXAA
41	CONT3P025024V	CONTACTOR 25 AMP, 3P, 24V (M21, M22, M23, M24, M25, M26, M27, M28, M29, M30)	M6 - DCG0721403BHXZAA
41	CONT3P030024V	CONTACTOR 30 AMP, 3P, 24V (M1, M2, M3, M4, M5, M6, M7, M8, M9, M10, M11, M12, M13, M14, M15, M16, M17, M18, M19, M20)	M7 - DCG0721403BJSFAA
51	CAP100000370LA	CAPACITOR 10/370V (M1, M2, M3, M4, M5, M6, M7, M8, M9, M10, M11, M12, M13, M14, M15, M16, M17, M18, M19, M20, M21, M22, M23, M24, M25, M26, M28)	M8 - DCG0721403BJSJAA
51	CAP050000370LA	CAPACITOR 5/370V (M27, M29, M30)	M9 - DCG0721403BJXAAA
61	0130M00038	TERMINAL BOARD	M10 - DCG0721403BJXBAB
71	0130M00146	TRANSFORMER 480V TO 230V, 150VA (M21, M22, M23, M24, M25, M26, M27, M28)	M11 - DCG0721403BJXFAA
71	0130M00148	TRANSFORMER 575V to 24V, 75VA (M29, M30)	M12 - DCG0721403BJXGAA
NS	20520901	CAPACITOR STRAP (QTY 2)	M13 - DCG0721403BJXUAA
NS	0259L00074	CONTROL HARNESS (M1, M2, M3, M4, M5, M6, M7, M8, M9, M10, M11, M12, M13, M14, M15, M16, M17, M18, M19, M20)	M14 - DCG0721403BJXXAA
NS	0259L00075	CONTROL HARNESS (M21, M22, M23, M24, M25, M26, M27, M28, M29, M30)	M15 - DCG0721403BJXZAB
NS	0259L00179	HARNESS, ECONOMIZER	M16 - DCG0721403BXDXAA
NS	0259L00054	WIRING HARNESS (M1, M2, M3, M4, M5, M6, M7, M8, M9, M10, M11, M12, M13, M14, M15, M16, M17, M18, M19, M20, M29, M30)	M17 - DCG0721403BXSXAA
NS	0259L00060	WIRING HARNESS (M21, M22, M23, M24, M25, M26, M27, M28)	M18 - DCG0721403BXXCAA
NS	0259L00069	WIRING HARNESS	M19 - DCG0721403BXXFAA
			M20 - DCG0721403BXXXAA
			M21 - DCG0721404BAXJAB
			M22 - DCG0721404BHXAAC
			M23 - DCG0721404BHXBAC
			M24 - DCG0721404BJXFAB
			M25 - DCG0721404BJXGAB
			M26 - DCG0721404BXSXAB
			M27 - DCG0721404BXXXAA
			M28 - DCG0721404BXXXAB
			M29 - DCG0721407BAXXAA
			M30 - DCG0721407BXXXAA

Accessory Parts List

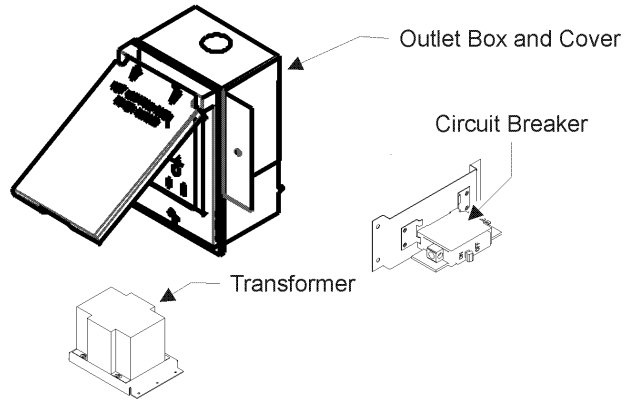
ACCESSORY PARTS LIST

NOTE: NOT ALL OPTIONS AVAILABLE FOR ALL PRODUCTS

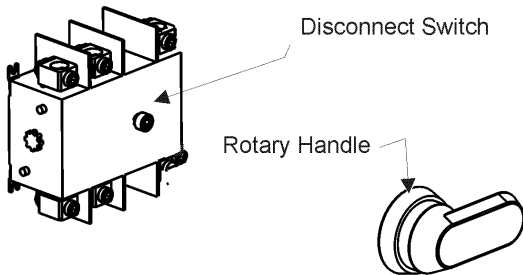
LOW AMBIENT KITS



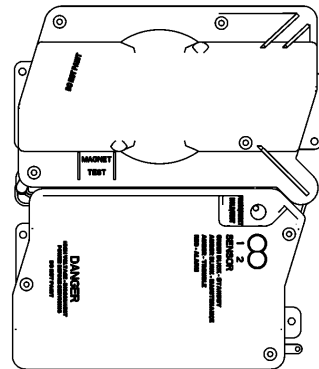
GFCI CONVENIENCE OUTLET



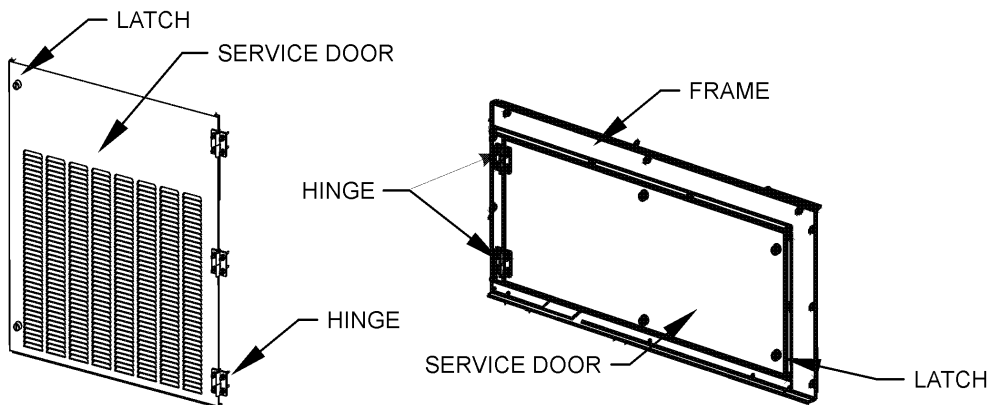
DISCONNECT MODULE (NON-FUSED)



SMOKE DETECTORS



HINGED DOOR ASSEMBLIES



Accessory Parts List

Ref. Part No:	Description:	Ref. Part No:	Description:
Image 1:		Expanded Model Nomenclature	
NS 0121L01381NG	BLOWER DOOR FRAME (M16)	M1 - DCG0721403BAXGAA	
NS 0121L01379NG	BLOWER SERVICE DOOR, BACK (M16)	M2 - DCG0721403BHXAAA	
NS 0121L01378NG	BLOWER SERVICE DOOR, FRONT (M16)	M3 - DCG0721403BHXBAA	
NS 0121L00316	BRACKET-CONV OUTLET MOUNT (M1, M2, M3, M4, M7, M8, M9, M10, M11, M12, M13, M19, M21, M22, M23, M24, M25)	M4 - DCG0721403BHXGAA	
NS 0130M00065	CIRCUIT BREAKER, CONVENIENCE OUTLET (M3, M10, M23)	M5 - DCG0721403BHXXAA	
NS 0121L00837NG	DISCONNECT COVER (M2, M3, M4, M5, M6, M7, M8, M9, M10, M11, M12, M13, M14, M15, M22, M23, M24, M25)	M6 - DCG0721403BHXZAA	
NS 0130L00012	GANG BOX-GFCI OUTLET (M1, M2, M3, M4, M7, M8, M9, M10, M11, M12, M13, M19, M21, M22, M23, M24, M25)	M7 - DCG0721403BJSFAA	
NS 0130L00039	HANDLE, ROTARY (M2, M3, M4, M5, M6, M7, M8, M9, M10, M11, M12, M13, M14, M15, M22, M23, M24, M25)	M8 - DCG0721403BJSJAA	
NS 0163M00307	HINGE, LEFT HAND (M16)	M9 - DCG0721403BJXAAA	
NS 0163M00308	HINGE, RIGHT HAND (M16)	M10 - DCG0721403BJXBAB	
NS 0163M00322	LATCH (M16)	M11 - DCG0721403BJXFAA	
NS 0121L01348NG	LOUVERED CP SERVICE DOOR (M16)	M12 - DCG0721403BJXGAA	
NS LAKT01	LOW AMBIENT KIT (M7, M11, M13, M18, M19, M24)	M13 - DCG0721403BJXUAA	
NS 0161G00012	POWER OUTLET BOX (M1, M2, M3, M4, M7, M8, M9, M10, M11, M12, M13, M19, M21, M22, M23, M24, M25)	M14 - DCG0721403BJXXAA	
NS 0130L00103	RECEPTACLE-GFCI OUTLET (M1, M2, M3, M4, M7, M8, M9, M10, M11, M12, M13, M19, M21, M22, M23, M24, M25)	M15 - DCG0721403BJXZAB	
NS 0130L00042	SHAFT, CUT (M2, M3, M4, M5, M6, M7, M8, M9, M10, M11, M12, M13, M14, M15, M22, M23, M24, M25)	M16 - DCG0721403BXDXAA	
NS D4120	SMOKE DETECTOR, PHOTO 4WIRE (M1, M4, M12, M13, M25)	M17 - DCG0721403BXSXAA	
NS D4S	SMOKE DETECTOR, SENSOR ONLY (M6, M8, M15, M21)	M18 - DCG0721403BXXCAA	
NS 0130L00046	SWITCH-DISCONNECT 60A (M2, M3, M4, M5, M6, M7, M8, M9, M10, M11, M12, M13, M14, M15, M22, M23, M24, M25)	M19 - DCG0721403BXXFAA	
NS 0130M00061	TRANSFORMER, CONVENIENCE OUTLET (M3, M10, M23)	M20 - DCG0721403BXXXAA	
		M21 - DCG0721404BAXJAB	
		M22 - DCG0721404BHXAAC	
		M23 - DCG0721404BHXBAC	
		M24 - DCG0721404BJXFAB	
		M25 - DCG0721404BJXGAB	
		M26 - DCG0721404BXSXAB	
		M27 - DCG0721404BXXXAA	
		M28 - DCG0721404BXXXAB	
		M29 - DCG0721407BAXXAA	
		M30 - DCG0721407BXXXAA	