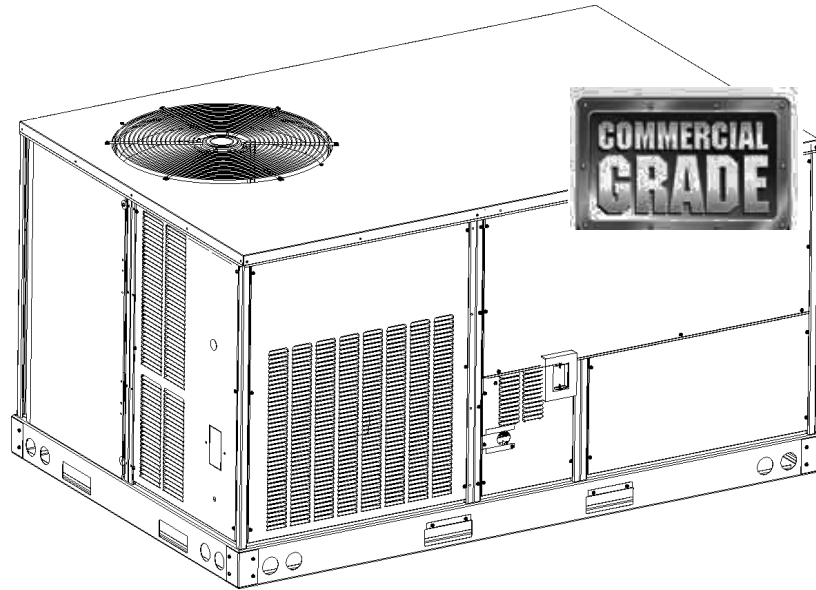


Commercial 5 Ton Package Gas Units

DCG0600903BAXAAA
DCG0600903BAXCAA
DCG0600903BHXBAA
DCG0600903BHXUAA
DCG0600903BJSFAA
DCG0600903BJSTAA
DCG0600903BJXAAA
DCG0600903BJXGAA
DCG0600903BJXNAA
DCG0600903BXXXAA
DCG0600904BJSAA
DCG0600904BJSTAA
DCG0600904BJXAAA
DCG0600904BXXMAB
DCG0600904BXXXAA
DCG0600904BXXXAB
DCG0601403BHSAAA
DCG0601403BHXAAA
DCG0601403BHXBAA
DCG0601403BJSAAA
DCG0601403BJXNAA
DCG0601403BXSXAA
DCG0601403BXXXAA
DCG0601404BAXVAB
DCG0601404BJXGAB
DCG0601404BXXXAA
DCG0601404BXXXAB
DCG0601407BAXXAA
DCG0601407BXSXAA
DCG0601407BXXXAA



This manual is to be used by qualified technicians only.

This manual replaces RP-D1005D.

Important Information

Index

Functional Parts List	3
Illustration and Parts	4 - 17

Views shown are for parts illustrations only, not servicing procedures

Rev. E: Added models DCG0600903BAXCAA, DCG0600903BHXUAA, DCG0600903BJSFAA, and DCG0600903BJXGAA.

Text Codes:

AR - As Required

NA - Not Available

NS - Not Shown

00000000 - See Note

QTY - Quantity Example (QTY 3) (If Quantity not shown, Quantity = 1)

M - Model Example (M1) (If M Code not shown, then part is used on all Models)

Expanded Model Nomenclature:

Example M1 - Model#1 M2 - Model#2 M3 - Model#3

Daikin Company, L.P. is not responsible for personal injury or property damage resulting from improper service. Review all service information before beginning repairs.

Warranty service must be performed by an authorized technician, using authorized factory parts. If service is required after the warranty expires, Daikin Company, L.P. also recommends contacting an authorized technician and using authorized factory parts.

Daikin Company, L.P. reserves the right to discontinue, or change at any time, specifications or designs without notice or without incurring obligations.

For assistance within the U.S.A. contact:

Consumer Affairs Department
Daikin North America, LLC
7401 Security Way
Houston, Texas 77040
855-770-5678-Telephone
713-863-2382-Facsimile

For assistance outside the U.S.A. contact:

International Division
Daikin North America, LLC
7401 Security Way
Houston, Texas 77040
713-861-2500-Telephone
713-863-2382-Facsimile

Functional Parts

Part No: **Description:**

Part No:	Description:	Expanded Model Nomenclature
0130M00025	24V RELAY	M1 - DCG0600903BAXAAA
B1368056	BELT DRIVE BLOWER WHEEL	M2 - DCG0600903BAXCAA
0131L00003	BELT DRIVE MOTOR 1 HP (M1, M2, M3, M4, M5, M6, M7, M8, M9, M10, M11, M12, M13, M14, M15, M16, M17, M18, M19, M20, M21, M22, M23, M24, M25, M26, M27)	M3 - DCG0600903BHXBAA
0131L00004	BELT DRIVE MOTOR 1.5 HP 575V (M28, M29, M30)	M4 - DCG0600903BHXUAA
ZP51K5ETF5130	COMPRESSOR 51000, 208/230/60/3 (M1, M2, M3, M4, M5, M6, M7, M8, M9, M10, M17, M18, M19, M20, M21, M22, M23)	M5 - DCG0600903BJSFAA
ZP51K5ETFD130	COMPRESSOR 51000, 460/60/3 (M11, M12, M13, M14, M15, M16, M24, M25, M26, M27)	M6 - DCG0600903BJSTAA
ZP51K5ETFE130	COMPRESSOR 51000, 575/60/3 (M28, M29, M30)	M7 - DCG0600903BJXAAA
0131M00429	COND MOTOR 1/4 HP, 1 SP,6 PL (M1, M2, M3, M4, M5, M6, M7, M8, M9, M10, M17, M18, M19, M20, M21, M22, M23)	M8 - DCG0600903BJXGAA
B13400269	COND MOTOR 380/460 50/60 CYCLE (M12, M15, M26)	M9 - DCG0600903BJXNAA
0131M00432	COND MOTOR 380/460/50/60 CYCLE (M11, M13, M14, M16, M24, M25, M27)	M10 - DCG0600903BXXXAA
0131M00098	COND MOTOR 575V (M28, M29, M30)	M11 - DCG0600904BJSAAAB
CONT3P025024V	CONTACTOR 25 AMP, 3P, 24V (M11, M12, M13, M14, M15, M16, M24, M25, M26, M27, M28, M29, M30)	M12 - DCG0600904BJSTAA
CONT3P030024V	CONTACTOR 30 AMP, 3P, 24V (M1, M2, M3, M4, M5, M6, M7, M8, M9, M10, M17, M18, M19, M20, M21, M22, M23)	M13 - DCG0600904BJXAAB
0130M00074	CUT-OUT SWITCH, HIGH PRESSURE	M14 - DCG0600904BXXMAB
0130M00087	CUT-OUT SWITCH, LOW PRESSURE	M15 - DCG0600904BXXXAA
0164L00010	FAN BELT, NOTCHED	M16 - DCG0600904BXXAB
0150G00001	FAN BLADE	M17 - DCG0601403BHSAAA
0151F00000P	GAS VALVE - WHITE-RODGERS 2-STAGE	M18 - DCG0601403BHXAAA
PCBAG123	IGNITION BOARD, DSI INTEGRATED	M19 - DCG0601403BHXBAA
20261709	IGNITOR	M20 - DCG0601403BJSAAA
10123532	MANUAL RESET LIMIT 350°F	M21 - DCG0601403BJXNAA
11112501	PRESSURE SWITCH	M22 - DCG0601403BXSXAA
20162903	PRIMARY LIMIT - BLUE (M1, M2, M3, M4, M5, M6, M7, M8, M9, M10, M11, M12, M13, M14, M15, M16)	M23 - DCG0601403BXXXAA
0130F00035	PRIMARY LIMIT - PURPLE 220° (M17, M18, M19, M20, M21, M22, M23, M24, M25, M26, M27, M28, M29, M30)	M24 - DCG0601404BAXVAB
20162905	PRIMARY LIMIT-YELLOW	M25 - DCG0601404BJXGAB
0130M00038	TERMINAL BOARD	M26 - DCG0601404BXXXAA
0130M00138	TRANSFORMER 208/230, 24V (M1, M2, M3, M4, M5, M6, M7, M8, M9, M10, M17, M18, M19, M20, M21, M22, M23)	M27 - DCG0601404BXXXAB
0130M00145	TRANSFORMER 480V to 24V, 75VA (M11, M12, M13, M14, M15, M16, M24, M25, M26, M27)	M28 - DCG0601407BAXXAA
0130M00147	TRANSFORMER 575V TO 230V, 150VA (M28, M29, M30)	M29 - DCG0601407BXSXAA
0130M00148	TRANSFORMER 575V to 24V, 75VA (M28, M29, M30)	M30 - DCG0601407BXXXAA

Top Panel/Tubing Assy

Image 1

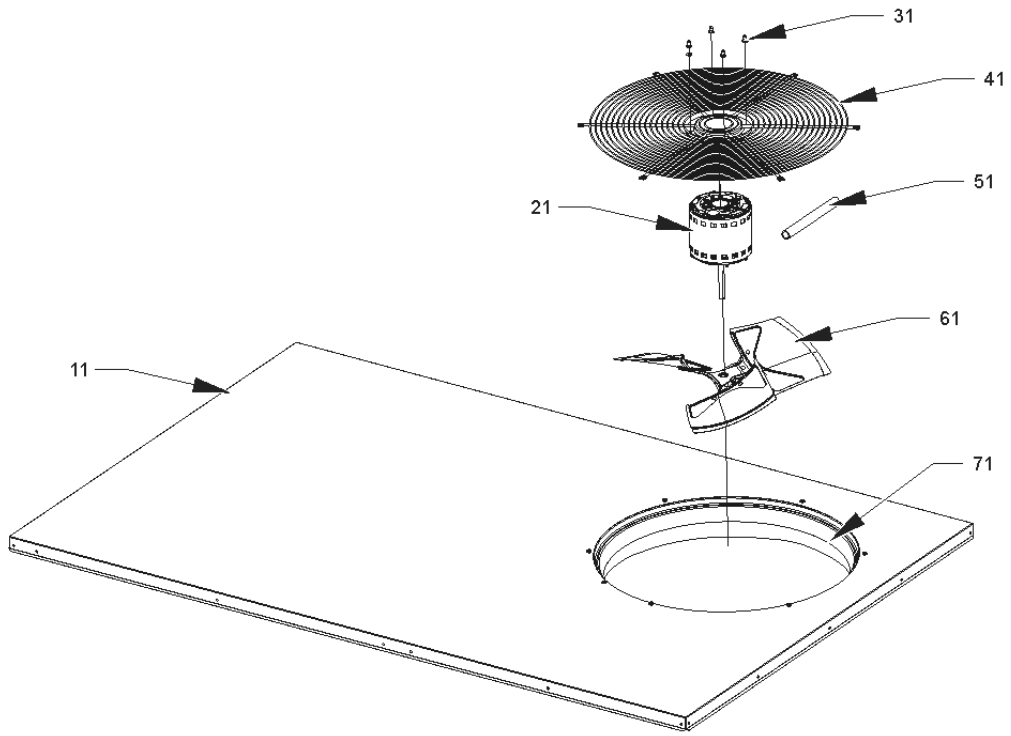
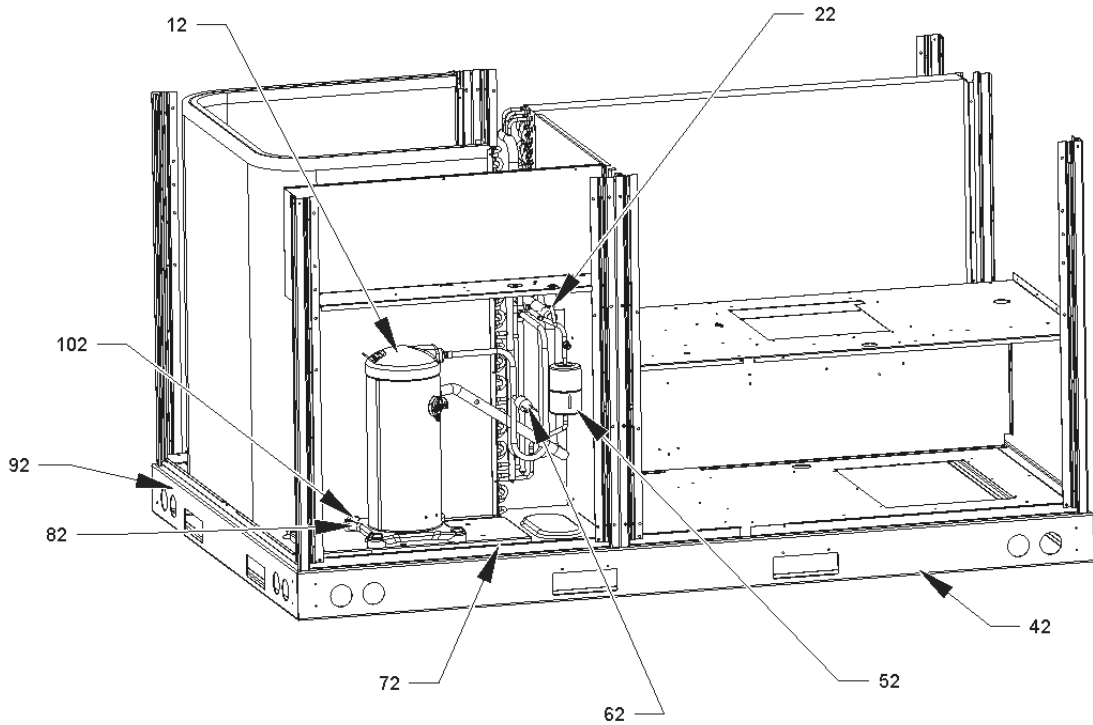


Image 2



Top Panel/Tubing Assy

Ref. Part

No: No: Description:

Ref. Part

No: No: Description:

Image 1:

11	0121L00235NG	TOP PANEL
21	0131M00429	COND MOTOR 1/4 HP, 1 SP,6 PL (M1, M2, M3, M4, M5, M6, M7, M8, M9, M10, M17, M18, M19, M20, M21, M22, M23)
21	B13400269	COND MOTOR 380/460 50/60 CYCLE (M12, M15, M26)
21	0131M00432	COND MOTOR 380/460/50/60 CYCLE (M11, M13, M14, M16, M24, M25, M27)
21	0131M00098	COND MOTOR 575V (M28, M29, M30)
31	0163M00006P	ACORN NUT 5/16 HEX BLACK (QTY 4)
41	0152G00003	FAN GRILLE
51	17788000083F	PVC CONDUIT 8.25"
61	0150G00001	FAN BLADE
71	0161L00000	VENTURI RING 22"

Image 2:

12	ZP51K5ETF5130	COMPRESSOR 51000, 208/230/60/3 (M1, M2, M3, M4, M5, M6, M7, M8, M9, M10, M17, M18, M19, M20, M21, M22, M23)
12	ZP51K5ETFD130	COMPRESSOR 51000, 460/60/3 (M11, M12, M13, M14, M15, M16, M24, M25, M26, M27)
12	ZP51K5ETFE130	COMPRESSOR 51000, 575/60/3 (M28, M29, M30)
22	0130M00087	CUT-OUT SWITCH, LOW PRESSURE
42	0121L00244RF	SIDE RAIL (QTY 2)
52	0162R00009	FILTER DRIER
62	0130M00074	CUT-OUT SWITCH, HIGH PRESSURE
72	0121L00310	COMPRESSOR MOUNTING PLATE
82	B1339533	COMPRESSOR GROMMET (QTY 4)
92	0121L00245	END RAIL (QTY 2)
102	M0221641	TF SHOULDER SCREW (QTY 4)
NS	0159L00028	COMPRESSOR SCROLL HARNESS

Expanded Model Nomenclature

M1 - DCG0600903BAXAAA
M2 - DCG0600903BAXCAA
M3 - DCG0600903BHXBAA
M4 - DCG0600903BHXUAA
M5 - DCG0600903BJSFAA
M6 - DCG0600903BJSTAA
M7 - DCG0600903BJXAAA
M8 - DCG0600903BJXGAA
M9 - DCG0600903BJXNAA
M10 - DCG0600903BXXAAA
M11 - DCG0600904BJSAB
M12 - DCG0600904BJSTAA
M13 - DCG0600904BJXAAB
M14 - DCG0600904BXXMAB
M15 - DCG0600904BXXAAA
M16 - DCG0600904BXXAB
M17 - DCG0601403BHSAAA
M18 - DCG0601403BHXAAA
M19 - DCG0601403BHXBAA
M20 - DCG0601403BJSAAA
M21 - DCG0601403BJXNAA
M22 - DCG0601403BXSAAA
M23 - DCG0601403BXXAAA
M24 - DCG0601404BAXVAB
M25 - DCG0601404BJXGAB
M26 - DCG0601404BXXAAA
M27 - DCG0601404BXXAB
M28 - DCG0601407BAXAAA
M29 - DCG0601407BXSAAA
M30 - DCG0601407BXXAAA

Cabinet Assy

Image 1

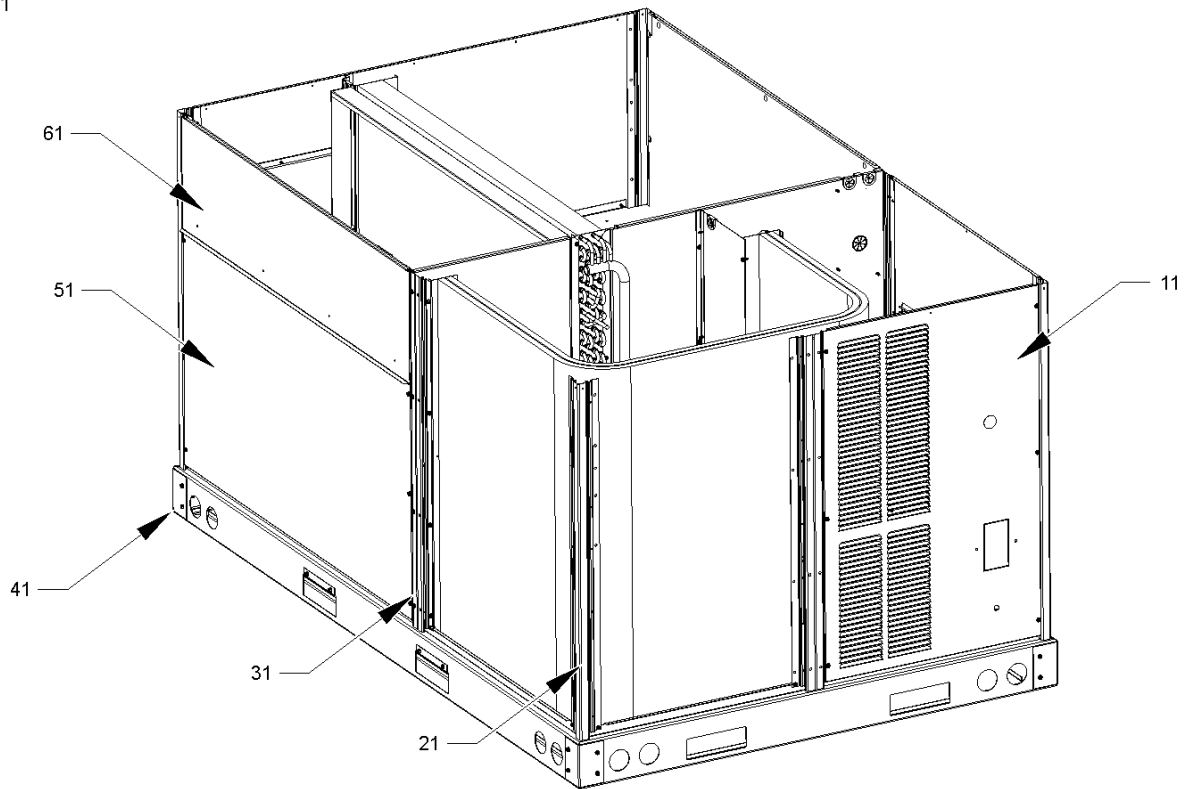
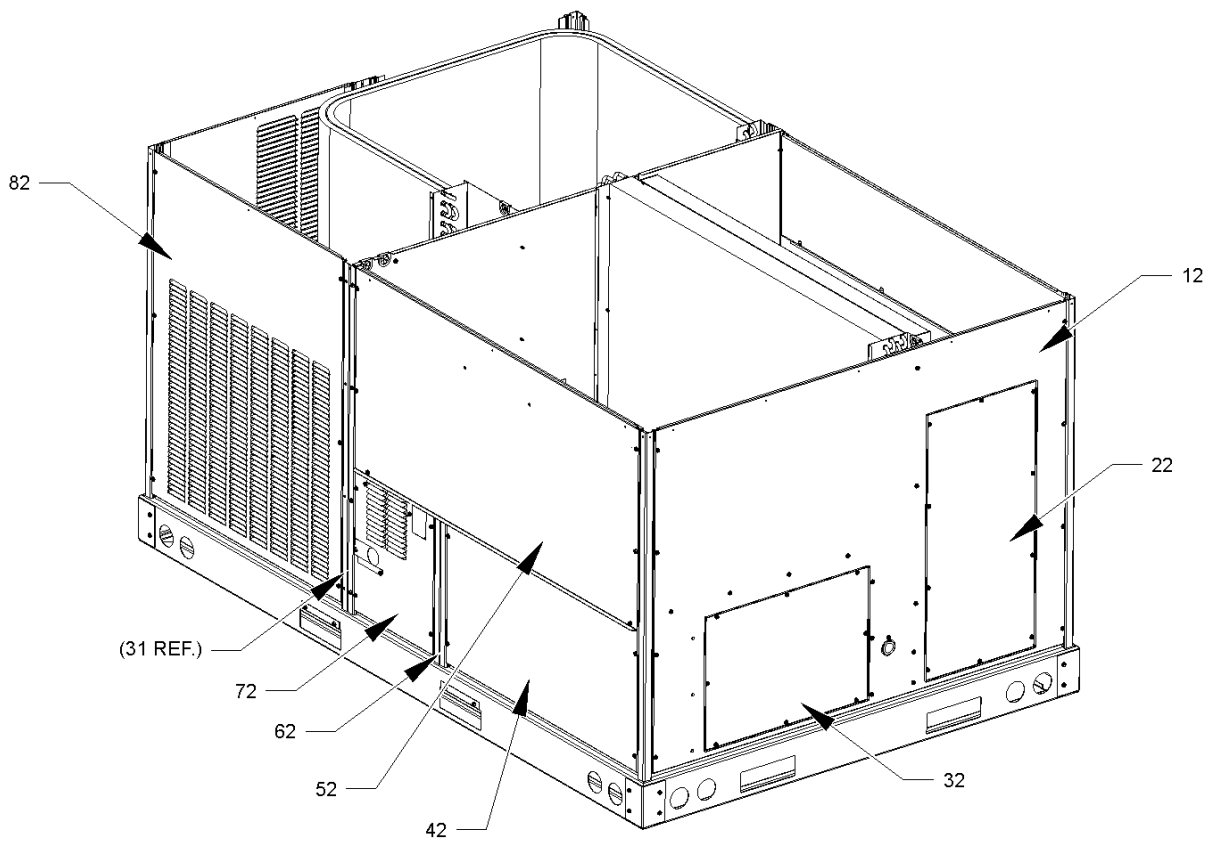


Image 2



Cabinet Assy

Ref. Part

No: No:

Description:

Ref. Part

No: No:

Description:

Image 1:

11	0121L00263NG	LOUVERED COMPRESSOR PANEL
21	0121L00237RFNG	CORNER POST (QTY 4)
31	0121L00233RFNG	POST-SIDE SUPPORT (QTY 3)
41	0121G00301	RAIL CORNER BRACKET (QTY 4)
51	0121L00976NG	ECONOMIZER DOOR
61	0270L00362NG	FILTER DOOR
NS	0164L00009	GASKET-RUBBER, CPOST (QTY 3)
NS	0164L00011	GASKET-RUBBER, SIDE POST (QTY 4)

Image 2:

12	0121L00236NG	DUCT PANEL
22	0121L00023NG	RETURN DUCT COVER
32	0121L00024NG	SUPPLY DUCT COVER
42	0121L00257NG	HEAT EXCHANGER DOOR
52	0121L00259NG	BLOWER DOOR
62	0121L00255RFNG	POST-BURNER DOOR
72	0121L00706NG	BURNER DOOR
82	0121L00262NG	LOUVERED CONTROL PANEL
NS	0121L00295NG	FLUE COLLAR
NS	0121L00689	RAIN SHIELD-DOOR

Expanded Model Nomenclature

M1 - DCG0600903BAXAAA
M2 - DCG0600903BAXCAA
M3 - DCG0600903BHXBAA
M4 - DCG0600903BHXUAA
M5 - DCG0600903BJSFAA
M6 - DCG0600903BJSTAA
M7 - DCG0600903BJXAAA
M8 - DCG0600903BJXGAA
M9 - DCG0600903BJXNAA
M10 - DCG0600903BXXXAA
M11 - DCG0600904BJSAA
M12 - DCG0600904BJSTAA
M13 - DCG0600904BJXAA
M14 - DCG0600904BXXMAB
M15 - DCG0600904BXXXAA
M16 - DCG0600904BXXXAB
M17 - DCG0601403BHSAAA
M18 - DCG0601403BHXAAA
M19 - DCG0601403BHXBAA
M20 - DCG0601403BJSAAA
M21 - DCG0601403BJXNAA
M22 - DCG0601403BXSXAA
M23 - DCG0601403BXXXAA
M24 - DCG0601404BAXVAB
M25 - DCG0601404BJXGAB
M26 - DCG0601404BXXXAA
M27 - DCG0601404BXXXAB
M28 - DCG0601407BAXXAA
M29 - DCG0601407BXSXAA
M30 - DCG0601407BXXXAA

Partition Assy

Image 1

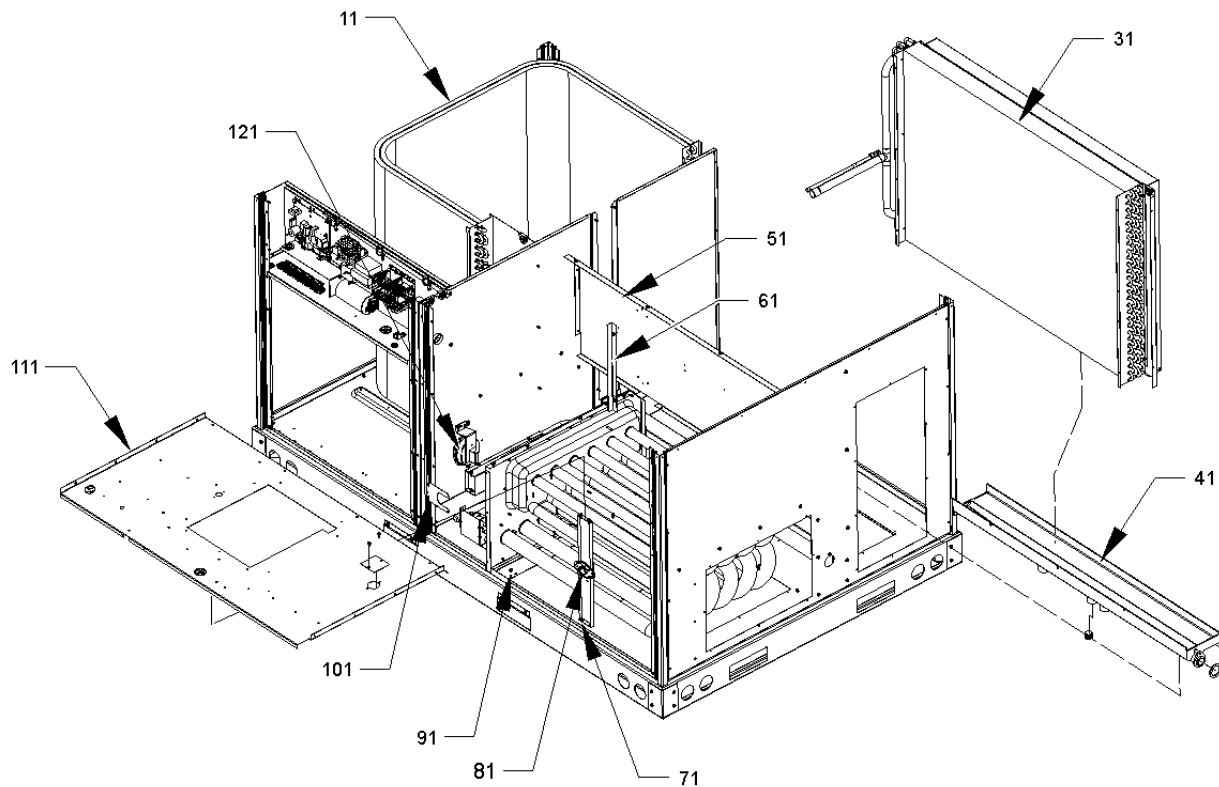
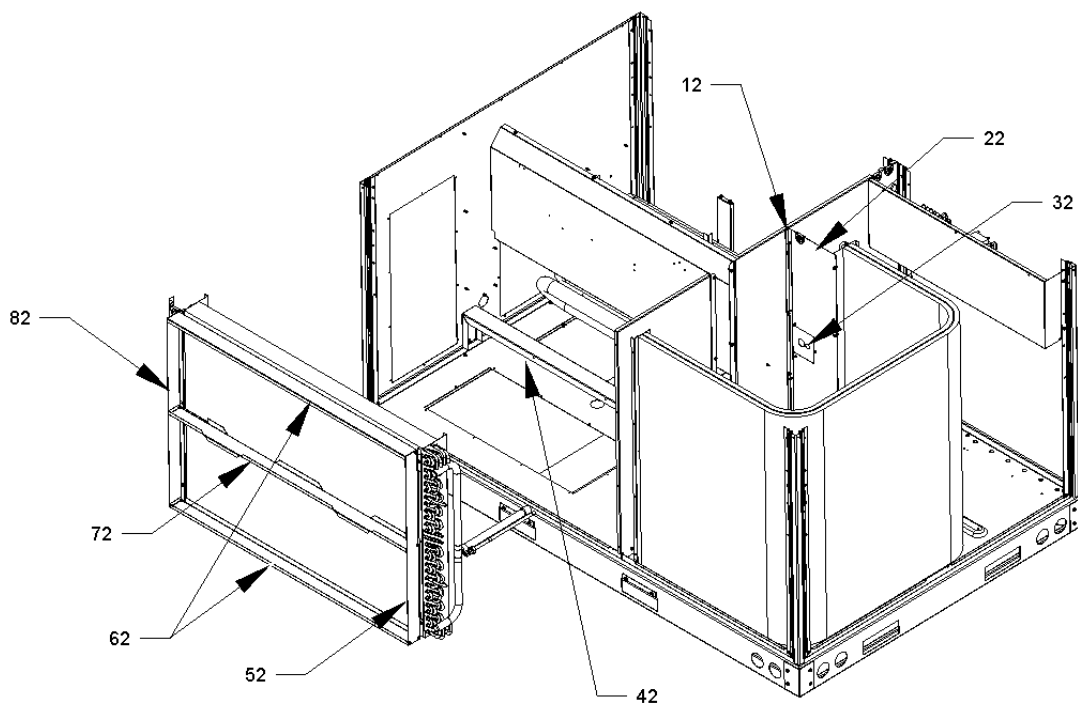


Image 2



Partition Assy

Ref. Part		Ref. Part
No: No:	Description:	No: No: Description:

Image 1:

11	0201L00141	TUBING ASSY, COND COIL
31	0202L00020	TUBING ASSY, EVAP COIL
41	0161L00005	DRAIN PAN
51	0121L00243	DECK SIDE CHANNEL
61	0121L00293	BACK ANGLE-HEAT EXCHANGER (QTY 2)
71	0121L00300	SUPPORT POST-DECK
81	20162903	PRIMARY LIMIT - BLUE (M1, M2, M3, M4, M5, M6, M7, M8, M9, M10, M11, M12, M13, M14, M15, M16)
81	0130F00035	PRIMARY LIMIT - PURPLE 220° (M17, M18, M19, M20, M21, M22, M23, M24, M25, M26, M27, M28, M29, M30)
91	0121L00266	HEAT PANEL CHANNEL (QTY 2)
101	0121L00299NG	GAS VALVE BRACKET
111	0121L01205	BLOWER DECK
121	11112501	PRESSURE SWITCH
NS	A3468601	PRESSURE SWITCH HOSE
NS	0121L00321	SMOKE DETECTOR COVER

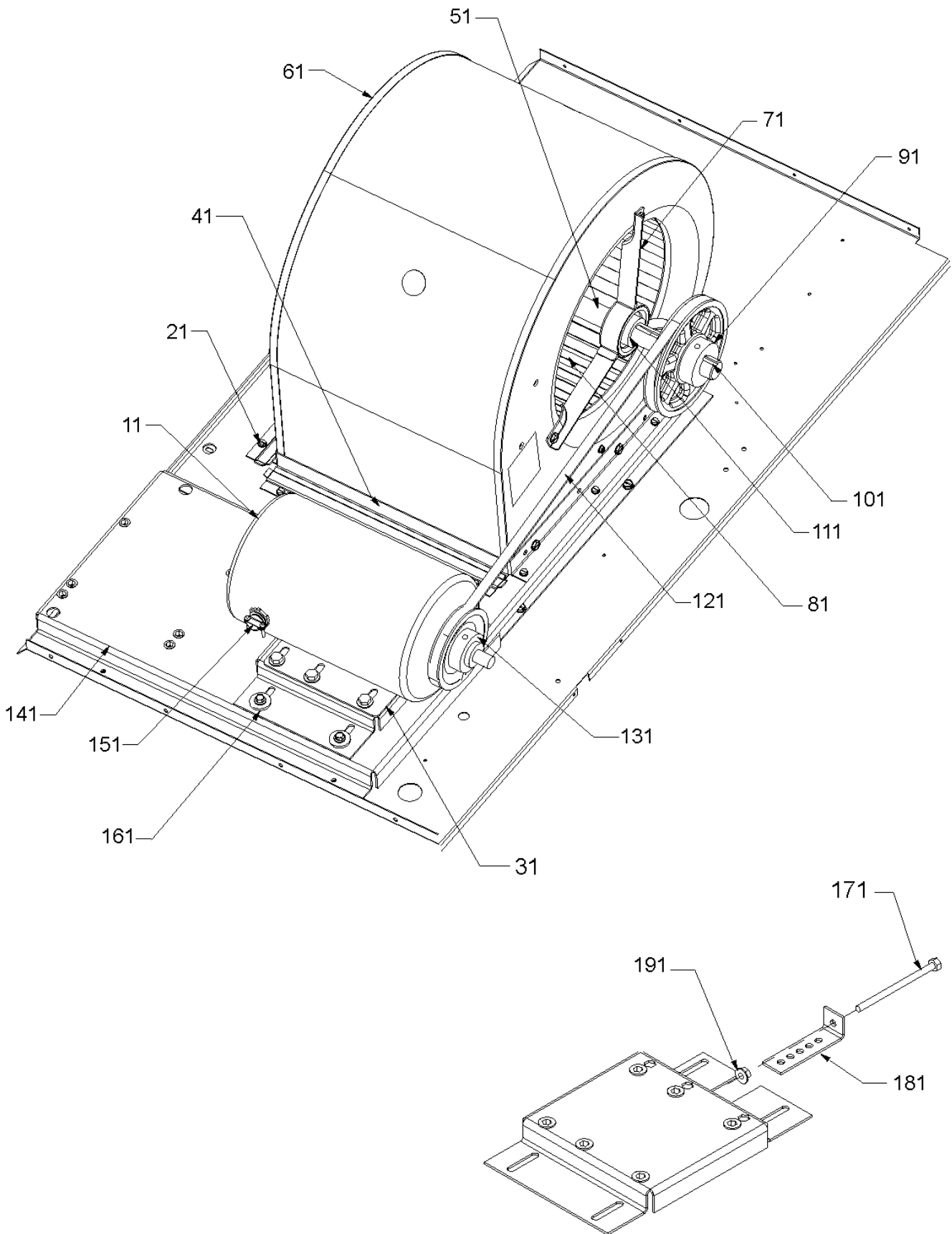
Image 2:

12	0121L00254	COND MOUNTING ANGLE
22	0121L00882	BLOCKOFF-CONDENSER
32	0121L00939	CONDENSER BLOCKOFF PLATE
42	0121L00238	DRAIN PAN SUPPORT
52	0121L00287	FILTER ANGLE-VERTICAL (RETURN SIDE)
62	0121L00932	FILTER ANGLE-HORIZONTAL (QTY 2)
72	0121L01255	ANGLE-FILTER CENTER
82	0121L00303	FILTER ANGLE-VERTICAL (HAIRPIN SIDE)
NS	0160L00008	FILTER 14 X 20 X 2 (QTY 4)

Expanded Model Nomenclature

M1 - DCG0600903BAXAAA
M2 - DCG0600903BAXCAA
M3 - DCG0600903BHXBAA
M4 - DCG0600903BHXUAA
M5 - DCG0600903BJSFAA
M6 - DCG0600903BJSTAA
M7 - DCG0600903BJXAAA
M8 - DCG0600903BJXGAA
M9 - DCG0600903BJXNAA
M10 - DCG0600903BXXXAA
M11 - DCG0600904BJSAB
M12 - DCG0600904BJSTAA
M13 - DCG0600904BJXAB
M14 - DCG0600904BXXMAB
M15 - DCG0600904BXXXAA
M16 - DCG0600904BXXXAB
M17 - DCG0601403BHSA
M18 - DCG0601403BHXAAA
M19 - DCG0601403BHXBAA
M20 - DCG0601403BJSAAA
M21 - DCG0601403BJXNAA
M22 - DCG0601403BXSAAA
M23 - DCG0601403BXXXAA
M24 - DCG0601404BAXVAB
M25 - DCG0601404BJXGAB
M26 - DCG0601404BXXXAA
M27 - DCG0601404BXXXAB
M28 - DCG0601407BAXXAA
M29 - DCG0601407BXSAAA
M30 - DCG0601407BXXXAA

Belt Drive Assy



Belt Drive Assy

Ref. Part		Ref. Part
No: No:	Description:	No: No: Description:

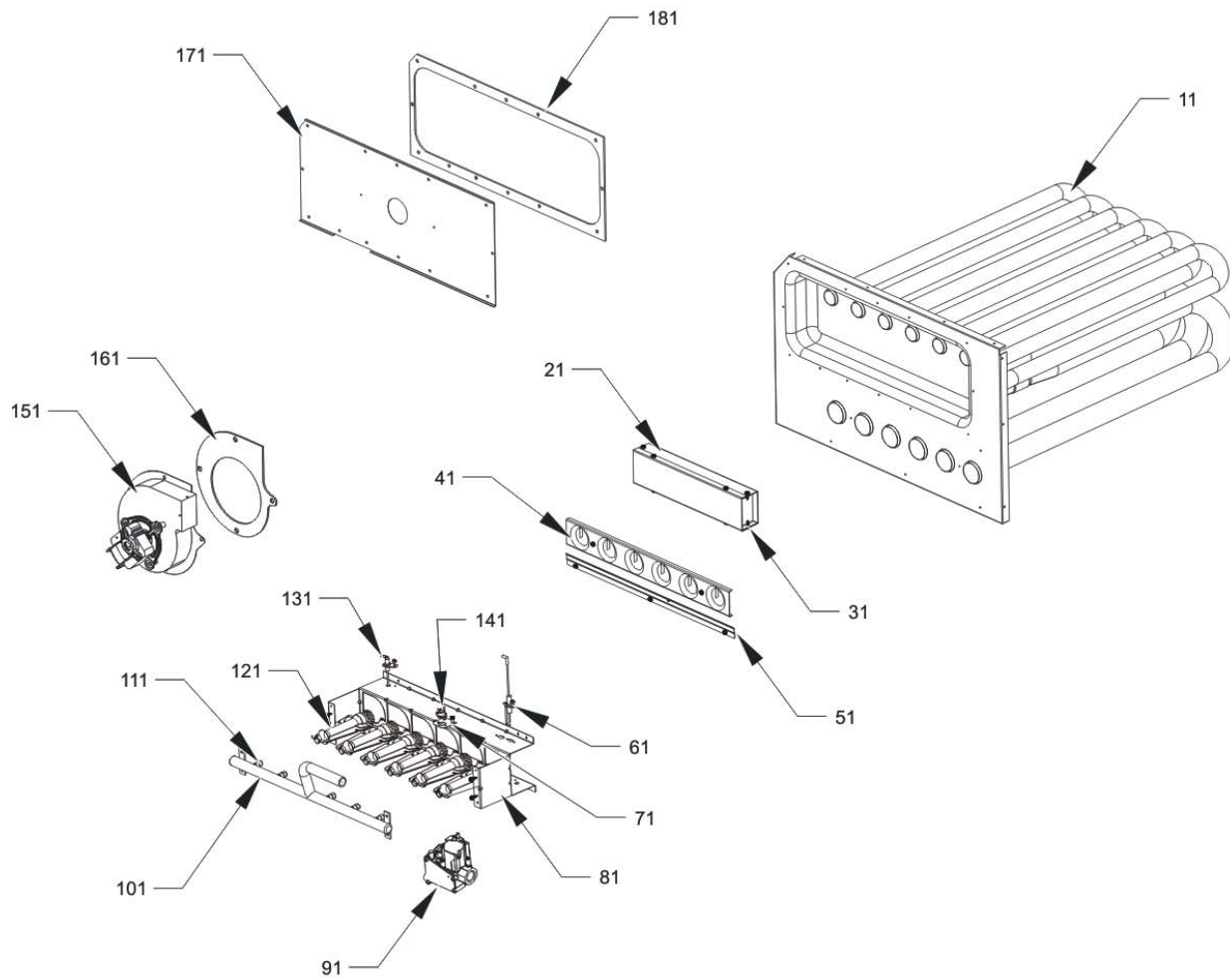
Image 1:

11	0131L00003	BELT DRIVE MOTOR 1 HP (M1, M2, M3, M4, M5, M6, M7, M8, M9, M10, M11, M12, M13, M14, M15, M16, M17, M18, M19, M20, M21, M22, M23, M24, M25, M26, M27)
11	0131L00004	BELT DRIVE MOTOR 1.5 HP 575V (M28, M29, M30)
21	0121L00297	BLOWER SIDE ANGLE (QTY 3)
31	0121L00899	MOTOR BASE
41	0121L00281	BLOWER MOUNTING ANGLE
51	0163L00005	BELT DRIVE BLOWER SHAFT
61	2539302F	BLOWER HOUSING 11 X 10
71	B3201300	MOUNTING BRACKET BEARING (QTY 2)
81	B1368056	BELT DRIVE BLOWER WHEEL
91	B3204303	FIXED SHEAVE AK61
101	B1398604	STEEL KEY (000158812) 2.0"
111	B1399500	BALL BEARING 1.00" (QTY 2)
121	0164L00010	FAN BELT, NOTCHED
131	B2120001	VARIABLE PITCH SHEAVE 1VL44 X 3/8"
141	0121L01203	BLOWER PLATE SUPPORT
151	B1393726	ELECT. CONNECTING BUSHING
161	B1393738	BOLT 1/4-20 X 3/4" (QTY 8)
171	0163M00045	BOLT 1/4-20 X 4"
181	3225000F	BELT TIGHTENER ANGLE
191	B1393023	NUT / LOCK .25-20
NS	1864703F	BLOWER CUT-OFF
NS	20162905	PRIMARY LIMIT-YELLOW
NS	B1398603	STEEL KEY (000158812) 4.5"

Expanded Model Nomenclature

M1 - DCG0600903BAXAAA
M2 - DCG0600903BAXCAA
M3 - DCG0600903BHXBAA
M4 - DCG0600903BHXUAA
M5 - DCG0600903BJSFAA
M6 - DCG0600903BJSTAA
M7 - DCG0600903BJXAAA
M8 - DCG0600903BJXGAA
M9 - DCG0600903BJXNAA
M10 - DCG0600903BXXXAA
M11 - DCG0600904BJSAA
M12 - DCG0600904BJSTAA
M13 - DCG0600904BJXAA
M14 - DCG0600904BXXMAB
M15 - DCG0600904BXXXAA
M16 - DCG0600904BXXXAB
M17 - DCG0601403BHSAAA
M18 - DCG0601403BHXAAA
M19 - DCG0601403BHXBAA
M20 - DCG0601403BJSAAA
M21 - DCG0601403BJXNAA
M22 - DCG0601403BXSXAA
M23 - DCG0601403BXXXAA
M24 - DCG0601404BAXVAB
M25 - DCG0601404BJXGAB
M26 - DCG0601404BXXXAA
M27 - DCG0601404BXXXAB
M28 - DCG0601407BAXXAA
M29 - DCG0601407BXSXAA
M30 - DCG0601407BXXXAA

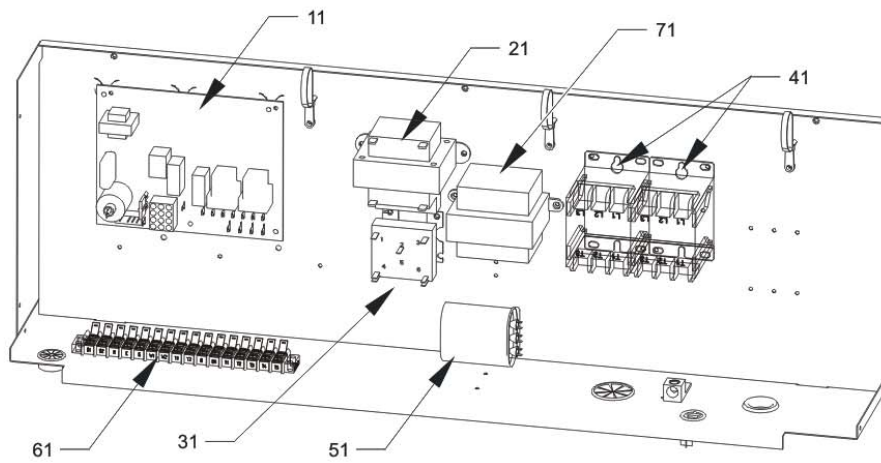
Heat Exchanger Assy



Heat Exchanger Assy

Ref. Part No: No:	Description:	Ref. Part No: No:	Description:
Image 1:		Expanded Model Nomenclature	
11	0270L00092	PART/TUBE ASSY 4B (M1, M2, M3, M4, M7, M8, M9, M10, M13, M14, M15, M16)	M1 - DCG0600903BAXAAA
11	0270L00105	PART/TUBE ASSY 4B (M5, M6, M11, M12)	M2 - DCG0600903BAXCAA
11	0270L00072	PART/TUBE ASSY 6B (M18, M19, M21, M23, M24, M25, M26, M27, M28, M30)	M3 - DCG0600903BHXBAA
11	0270L00104	PART/TUBE ASSY 6B (M17, M20, M22, M29)	M4 - DCG0600903BHXUAA
31	0121L00278	FLUE SIDE COVER	M5 - DCG0600903BJSFAA
41	11072203	ORIFICE SHIELD (M1, M2, M3, M4, M5, M6, M7, M8, M9, M10, M11, M12, M13, M14, M15, M16)	M6 - DCG0600903BJSTAA
41	11072205	ORIFICE SHIELD (M17, M18, M19, M20, M21, M22, M23, M24, M25, M26, M27, M28, M29, M30)	M7 - DCG0600903BJXAAA
51	0121L00267	BURNER SLIDE BRACKET	M8 - DCG0600903BJXGAA
61	20261709	IGNITOR	M9 - DCG0600903BJXNAA
71	0121L00053	FLAME ROLLOUT BRACKET	M10 - DCG0600903BXXAA
81	20190412	BURNER BRACKET 4B (M1, M2, M3, M4, M5, M6, M7, M8, M9, M10, M11, M12, M13, M14, M15, M16)	M11 - DCG0600904BJSAB
81	0121F00145	BURNER BRACKET 6B (M17, M18, M19, M20, M21, M22, M23, M24, M25, M26, M27, M28, M29, M30)	M12 - DCG0600904BJSTAA
91	0151F00000P	GAS VALVE - WHITE-RODGERS 2-STAGE	M13 - DCG0600904BJXAB
101	0163L00026	MANIFOLD - 4 BRNR (M1, M2, M3, M4, M5, M6, M7, M8, M9, M10, M11, M12, M13, M14, M15, M16)	M14 - DCG0600904BXXMAB
101	0163L00025	MANIFOLD - 6 BRNR (M17, M18, M19, M20, M21, M22, M23, M24, M25, M26, M27, M28, M29, M30)	M15 - DCG0600904BXXAAB
111	10716003	ORIFICE (QTY 4)	M16 - DCG0600904BXXAB
121	10735102	BECKETT BURNER (QTY 4)	M17 - DCG0601403BHSAAA
131	0130F00010	FLAME SENSOR	M18 - DCG0601403BHXAAA
141	10123532	MANUAL RESET LIMIT 350°F	M19 - DCG0601403BHXBAA
151	0131M00121	ID COMBUSTION BLOWER	M20 - DCG0601403BJSAAA
161	0154L00020	ID BLOWER GASKET	M21 - DCG0601403BJXNAA
171	0121L00241	ID BLOWER PLATE (M17, M18, M19, M20, M21, M22, M23, M24, M25, M26, M27, M28, M29, M30)	M22 - DCG0601403BXSXAA
171	0121L00284	ID BLOWER PLATE 4 BRNR (M1, M2, M3, M4, M5, M6, M7, M8, M9, M10, M11, M12, M13, M14, M15, M16)	M23 - DCG0601403BXXXAA
181	0154L00018	ID BLOWER PLATE GASKET 4 BRNR (M1, M2, M3, M4, M5, M6, M7, M8, M9, M10, M11, M12, M13, M14, M15, M16)	M24 - DCG0601404BAXVAB
181	0154L00017	ID BLOWER PLATE GASKET 6 BRNR (M17, M18, M19, M20, M21, M22, M23, M24, M25, M26, M27, M28, M29, M30)	M25 - DCG0601404BJXGAB
NS	0163L00072	SCREEN-FLUE	M26 - DCG0601404BXXXAA
			M27 - DCG0601404BXXXAB
			M28 - DCG0601407BAXXAA
			M29 - DCG0601407BXSXAA
			M30 - DCG0601407BXXXAA

Control Panel Assy



Control Panel Assy

Ref. Part No: No:	Description:	Ref. Part No: No:	Description:
<i>Image 1:</i>		Expanded Model Nomenclature	
11	PCBAG123	IGNITION BOARD, DSI INTEGRATED	M1 - DCG0600903BAXAAA
21	0130M00138	TRANSFORMER 208/230, 24V (M1, M2, M3, M4, M5, M6, M7, M8, M9, M10, M17, M18, M19, M20, M21, M22, M23)	M2 - DCG0600903BAXCAA
21	0130M00145	TRANSFORMER 480V to 24V, 75VA (M11, M12, M13, M14, M15, M16, M24, M25, M26, M27)	M3 - DCG0600903BHXBAA
21	0130M00148	TRANSFORMER 575V to 24V, 75VA (M28, M29, M30)	M4 - DCG0600903BHXUAA
31	0130M00025	24V RELAY	M5 - DCG0600903BJSFAA
41	CONT3P025024V	CONTACTOR 25 AMP, 3P, 24V (M11, M12, M13, M14, M15, M16, M24, M25, M26, M27, M28, M29, M30)	M6 - DCG0600903BJSTAA
41	CONT3P030024V	CONTACTOR 30 AMP, 3P, 24V (M1, M2, M3, M4, M5, M6, M7, M8, M9, M10, M17, M18, M19, M20, M21, M22, M23)	M7 - DCG0600903BJXAAA
51	CAP050000370LA	CAPACITOR 5/370V (M1, M2, M3, M4, M5, M6, M7, M8, M9, M10, M12, M15, M17, M18, M19, M20, M21, M22, M23, M26, M28, M29, M30)	M8 - DCG0600903BJXGAA
51	CAP075000370LA	CAPACITOR 7.5/370V (M11, M13, M14, M16, M24, M25, M27)	M9 - DCG0600903BJXNAA
61	0130M00038	TERMINAL BOARD	M10 - DCG0600903BXXAA
71	0130M00146	TRANSFORMER 480V TO 230V, 150VA (M11, M12, M13, M14, M15, M16, M24, M25, M26, M27)	M11 - DCG0600904BJSaab
71	0130M00147	TRANSFORMER 575V TO 230V, 150VA (M28, M29, M30)	M12 - DCG0600904BJSTAA
NS	20520901	CAPACITOR STRAP (QTY 4)	M13 - DCG0600904BJXAAB
NS	0259L00074	CONTROL HARNESS (M1, M2, M3, M4, M5, M6, M7, M8, M9, M10, M17, M18, M19, M20, M21, M22, M23)	M14 - DCG0600904BXXMAB
NS	0259L00075	CONTROL HARNESS (M11, M12, M13, M14, M15, M16, M24, M25, M26, M27, M28, M29, M30)	M15 - DCG0600904BXXXAA
NS	0259L00125	HARNESS, WIRING	M16 - DCG0600904BXXXAB
NS	0259L00054	WIRING HARNESS (M1, M2, M3, M4, M5, M6, M7, M8, M9, M10, M17, M18, M19, M20, M21, M22, M23, M28, M29, M30)	M17 - DCG0601403BHSAAA
NS	0259L00060	WIRING HARNESS (M11, M12, M13, M14, M15, M16, M24, M25, M26, M27)	M18 - DCG0601403BHXAAA
NS	0259L00065	WIRING HARNESS	M19 - DCG0601403BHXBAA
NS	0259L00069	WIRING HARNESS	M20 - DCG0601403BJSAAA
			M21 - DCG0601403BJXNAA
			M22 - DCG0601403BXSXAA
			M23 - DCG0601403BXXXAA
			M24 - DCG0601404BAXVAB
			M25 - DCG0601404BJXGAB
			M26 - DCG0601404BXXXAA
			M27 - DCG0601404BXXXAB
			M28 - DCG0601407BAXXAA
			M29 - DCG0601407BXSXAA
			M30 - DCG0601407BXXXAA

ACCESSORY PARTS LIST

Accessory Parts List

Ref. Part No:	No:	Description:	Ref. Part No:	No:	Description:
<i>Image 1:</i>			Expanded Model Nomenclature		
NS	0121L00332	BRACKET-SMOKE DETECTOR (M4, M8, M9, M21, M24, M25)	M1 -	DCG0600903BAXAAA	
NS	0130M00065	CIRCUIT BREAKER, CONVENIENCE OUTLET (M3, M6, M9, M12, M14, M19, M21)	M2 -	DCG0600903BAXCAA	
NS	0130L00010	COVER-GANG GFCI VERT OUTLET (M1, M4, M5, M7, M8, M11, M13, M17, M18, M20, M25)	M3 -	DCG0600903BHXBAA	
NS	0270L00581	DISCONNECT COVER ASSY (M3, M4, M5, M6, M7, M8, M9, M11, M12, M13, M17, M18, M19, M20, M21, M25)	M4 -	DCG0600903BHXUAA	
NS	0130L00012	GANG BOX-GFCI OUTLET (M1, M4, M5, M7, M8, M11, M13, M17, M18, M20, M25)	M5 -	DCG0600903BJSFAA	
NS	0130L00039	HANDLE, ROTARY (M3, M4, M5, M6, M7, M8, M9, M11, M12, M13, M17, M18, M19, M20, M21, M25)	M6 -	DCG0600903BJSTAA	
NS	LAKT01	LOW AMBIENT KIT (M2, M4, M5, M6, M12, M14, M24)	M7 -	DCG0600903BJXAAA	
NS	0130L00011	RECEPTACLE-GFCI OUTLET (M1, M4, M5, M7, M8, M11, M13, M17, M18, M20, M25)	M8 -	DCG0600903BJXGAA	
NS	D4120	SMOKE DETECTOR, PHOTO 4WIRE (M4, M6, M8, M9, M12, M21, M24, M25)	M9 -	DCG0600903BJXNAA	
NS	D4S	SMOKE DETECTOR, SENSOR ONLY (M6, M12)	M10 -	DCG0600903BXXXAA	
NS	0130L00046	SWITCH-DISCONNECT 60A (M3, M4, M5, M6, M7, M8, M9, M11, M12, M13, M17, M18, M19, M20, M21, M25)	M11 -	DCG0600904BJSAB	
NS	0130M00061	TRANSFORMER, CONVENIENCE OUTLET (M3, M6, M9, M12, M14, M19, M21)	M12 -	DCG0600904BJSTAA	
			M13 -	DCG0600904BJXAAB	
			M14 -	DCG0600904BXXMAB	
			M15 -	DCG0600904BXXXAA	
			M16 -	DCG0600904BXXXAB	
			M17 -	DCG0601403BHSA	
			M18 -	DCG0601403BHXAAA	
			M19 -	DCG0601403BHXBAA	
			M20 -	DCG0601403BJSAAA	
			M21 -	DCG0601403BJXNAA	
			M22 -	DCG0601403BXSAA	
			M23 -	DCG0601403BXXXAA	
			M24 -	DCG0601404BAXVAB	
			M25 -	DCG0601404BJXGAB	
			M26 -	DCG0601404BXXXAA	
			M27 -	DCG0601404BXXXAB	
			M28 -	DCG0601407BAXXAA	
			M29 -	DCG0601407BXSAA	
			M30 -	DCG0601407BXXXAA	