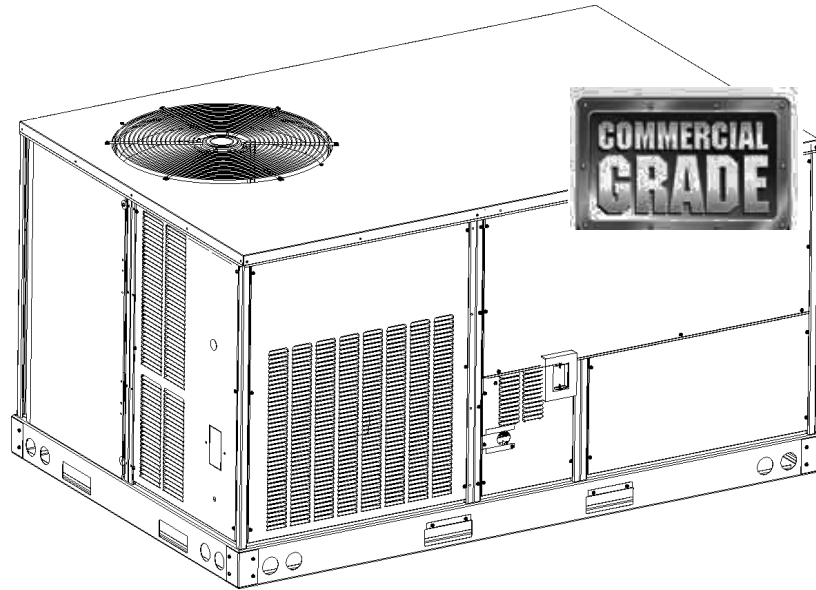


Commercial 5 Ton Package Gas Units

DCG0600903BAXAAB
DCG0600903BHXBAB
DCG0600903BJSTAB
DCG0600903BJXAAB
DCG0600903BJXNAB
DCG0600903BXXAAA
DCG0600903BXXXAB
DCG0600904BHXNAB
DCG0600904BJSAAAC
DCG0600904BJSMAB
DCG0600904BJSTAB
DCG0600904BJXAAC
DCG0600904BXSXAB
DCG0600904BXXCAC
DCG0600904BXXXAC
DCG0601403BAXXAA
DCG0601403BHSAAB
DCG0601403BHXAAB
DCG0601403BJSAAAB
DCG0601403BJXAAA
DCG0601403BJXNAB
DCG0601403BJXUAA
DCG0601403BXSFAA
DCG0601403BXSXAB
DCG0601404BAXJAB
DCG0601404BJXFAB
DCG0601404BXXAAB
DCG0601404BXXJAB
DCG0601407BAXAAA



This manual is to be used by qualified technicians only.

Important Information

Index

Functional Parts List	3
Illustration and Parts	4 - 17

Views shown are for parts illustrations only, not servicing procedures

Text Codes:

AR - As Required

NA - Not Available

NS - Not Shown

00000000 - See Note

QTY - Quantity Example (QTY 3) (If Quantity not shown, Quantity = 1)

M - Model Example (M1) (If M Code not shown, then part is used on all Models)

Expanded Model Nomenclature:

Example M1 - Model#1 M2 - Model#2 M3 - Model#3

Daikin Company, L.P. is not responsible for personal injury or property damage resulting from improper service. Review all service information before beginning repairs.

Warranty service must be performed by an authorized technician, using authorized factory parts. If service is required after the warranty expires, Daikin Company, L.P. also recommends contacting an authorized technician and using authorized factory parts.

Daikin Company, L.P. reserves the right to discontinue, or change at any time, specifications or designs without notice or without incurring obligations.

For assistance within the U.S.A. contact:

Consumer Affairs Department

Daikin North America, LLC

7401 Security Way

Houston, Texas 77040

855-770-5678-Telephone

713-863-2382-Facsimile

For assistance outside the U.S.A. contact:

International Division

Daikin North America, LLC

7401 Security Way

Houston, Texas 77040

713-861-2500-Telephone

713-863-2382-Facsimile

Functional Parts

Part No: **Description:**

Part No:	Description:	Expanded Model Nomenclature
0130M00025	24V RELAY	M1 - DCG0600903BAXAAB
B1368056	BELT DRIVE BLOWER WHEEL	M2 - DCG0600903BHXBAB
0131L00003	BELT DRIVE MOTOR 1 HP (M1, M2, M3, M4, M5, M6, M7, M8, M9, M10, M11, M12, M13, M14, M15, M16, M17, M18, M19, M20, M21, M22, M23, M24, M25, M26, M27, M28)	M3 - DCG0600903BJSTAB
0131L00004	BELT DRIVE MOTOR 1.5 HP 575V (M29)	M4 - DCG0600903BJXAAB
CAP050000370LA	CAPACITOR 5/370V (M1, M2, M3, M4, M5, M6, M7, M11, M16, M17, M18, M19, M20, M21, M22, M23, M24, M29)	M5 - DCG0600903BJXNAB
CAP075000370LA	CAPACITOR 7.5/370V (M8, M9, M10, M12, M13, M14, M15, M25, M26, M27, M28)	M6 - DCG0600903BXXAAA
ZP51K5ETF5130	COMPRESSOR 51000, 208/230/60/3 (M1, M2, M3, M4, M5, M6, M7, M16, M17, M18, M19, M20, M21, M22, M23, M24)	M7 - DCG0600903BXXAB
ZP51K5ETFD130	COMPRESSOR 51000, 460/60/3 (M8, M9, M10, M11, M12, M13, M14, M15, M25, M26, M27, M28)	M8 - DCG0600904BHXNAB
ZP51K5ETFE130	COMPRESSOR 51000, 575/60/3 (M29)	M9 - DCG0600904BJS AAC
0131M00429	COND MOTOR 1/4 HP, 1 SP.6 PL (M1, M2, M3, M4, M5, M6, M7, M16, M17, M18, M19, M20, M21, M22, M23, M24)	M10 - DCG0600904BJS MAB
B13400269	COND MOTOR 380/460 50/60 CYCLE (M11)	M11 - DCG0600904BJSTAB
0131M00432	COND MOTOR 380/460/50/60 CYCLE (M8, M9, M10, M12, M13, M14, M15, M25, M26, M27, M28)	M12 - DCG0600904BJXAAC
0131M00098	COND MOTOR 575V (M29)	M13 - DCG0600904BXS XAB
CONT3P025024V	CONTACTOR 25 AMP, 3P, 24V (M8, M9, M10, M11, M12, M13, M14, M15, M25, M26, M27, M28, M29)	M14 - DCG0600904BXXCAC
CONT3P030024V	CONTACTOR 30 AMP, 3P, 24V (M1, M2, M3, M4, M5, M6, M7, M16, M17, M18, M19, M20, M21, M22, M23, M24)	M15 - DCG0600904BXXAC
0130M00074	CUT-OUT SWITCH, HIGH PRESSURE	M16 - DCG0601403BAXXAA
0130M00087	CUT-OUT SWITCH, LOW PRESSURE	M17 - DCG0601403BHSAAB
0164L00010	FAN BELT, NOTCHED	M18 - DCG0601403BHXAAB
0150G00001	FAN BLADE	M19 - DCG0601403BJS AAB
0151F00000P	GAS VALVE - WHITE-RODGERS 2-STAGE	M20 - DCG0601403BJXAAA
PCBAG123	IGNITION BOARD, DSI INTEGRATED	M21 - DCG0601403BJXNAB
20261709	IGNITOR	M22 - DCG0601403BJXUAA
10123532	MANUAL RESET LIMIT 350°F	M23 - DCG0601403BXS FAA
11112501	PRESSURE SWITCH	M24 - DCG0601403BXS XAB
20162903	PRIMARY LIMIT - BLUE (M1, M2, M3, M4, M5, M6, M7, M8, M9, M10, M11, M12, M13, M14, M15)	M25 - DCG0601404BAXJAB
0130F00035	PRIMARY LIMIT - PURPLE 220° (M16, M17, M18, M19, M20, M21, M22, M23, M24, M25, M26, M27, M28, M29)	M26 - DCG0601404BJXFAB
20162905	PRIMARY LIMIT-YELLOW	M27 - DCG0601404BXXAAB
0130M00038	TERMINAL BOARD	M28 - DCG0601404BXXJAB
0130M00138	TRANSFORMER 208/230, 24V (M1, M2, M3, M4, M5, M6, M7, M16, M17, M18, M19, M20, M21, M22, M23, M24)	M29 - DCG0601407BAXAAA
0130M00146	TRANSFORMER 480V TO 230V, 150VA (M8, M9, M10, M11, M12, M13, M14, M15, M25, M26, M27, M28)	
0130M00145	TRANSFORMER 480V to 24V, 75VA (M8, M9, M10, M11, M12, M13, M14, M15, M25, M26, M27, M28)	
0130M00147	TRANSFORMER 575V TO 230V, 150VA (M29)	
0130M00148	TRANSFORMER 575V to 24V, 75VA (M29)	

Top Panel/Tubing Assy

Image 1

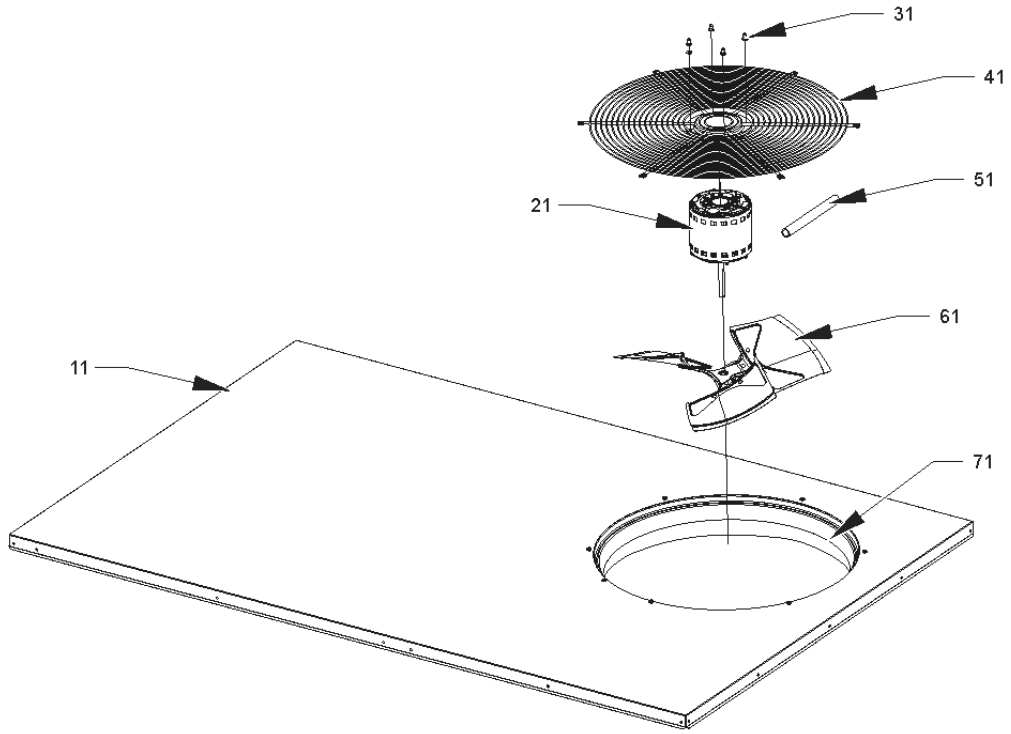
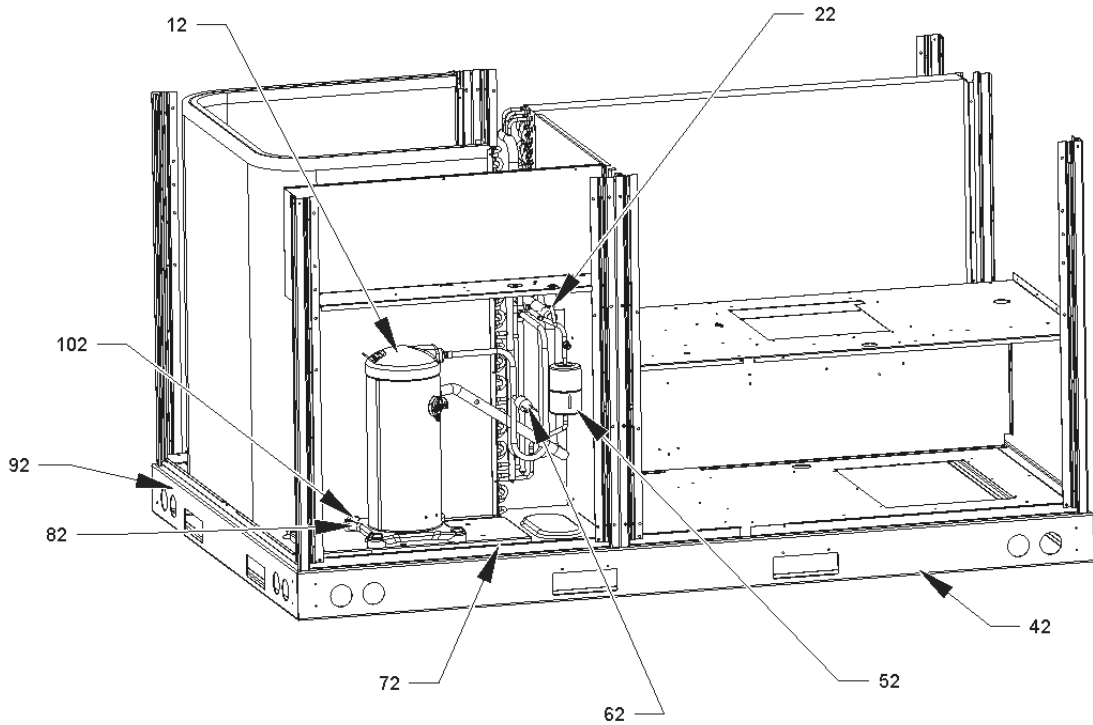


Image 2



Top Panel/Tubing Assy

Ref. Part		Ref. Part
No: No:	Description:	No: No: Description:

Image 1:

11	0121L00235NG	TOP PANEL
21	0131M00429	COND MOTOR 1/4 HP, 1 SP,6 PL (M1, M2, M3, M4, M5, M6, M7, M16, M17, M18, M19, M20, M21, M22, M23, M24)
21	B13400269	COND MOTOR 380/460 50/60 CYCLE (M11)
21	0131M00432	COND MOTOR 380/460/50/60 CYCLE (M8, M9, M10, M12, M13, M14, M15, M25, M26, M27, M28)
21	0131M00098	COND MOTOR 575V (M29)
31	0163M00006P	ACORN NUT 5/16 HEX BLACK (QTY 4)
41	0152G00003	FAN GRILLE
51	17788000083F	PVC CONDUIT 8.25"
61	0150G00001	FAN BLADE
71	0161L00000	VENTURI RING 22"

Image 2:

12	ZP51K5ETF5130	COMPRESSOR 51000, 208/230/60/3 (M1, M2, M3, M4, M5, M6, M7, M16, M17, M18, M19, M20, M21, M22, M23, M24)
12	ZP51K5ETFD130	COMPRESSOR 51000, 460/60/3 (M8, M9, M10, M11, M12, M13, M14, M15, M25, M26, M27, M28)
12	ZP51K5ETFE130	COMPRESSOR 51000, 575/60/3 (M29)
22	0130M00087	CUT-OUT SWITCH, LOW PRESSURE
42	0121L00244RF	SIDE RAIL (QTY 2)
52	0162R00009	FILTER DRIER
62	0130M00074	CUT-OUT SWITCH, HIGH PRESSURE
72	0121L00310	COMPRESSOR MOUNTING PLATE
82	B1339533	COMPRESSOR GROMMET (QTY 4)
92	0121L00245	END RAIL (QTY 2)
102	M0221641	TF SHOULDER SCREW (QTY 4)
NS	0159L00028	COMPRESSOR SCROLL HARNESS

Expanded Model Nomenclature

M1 - DCG0600903BAXAAB
M2 - DCG0600903BHXBAB
M3 - DCG0600903BJSTAB
M4 - DCG0600903BJXAAB
M5 - DCG0600903BJXNAB
M6 - DCG0600903BXXAAA
M7 - DCG0600903BXXAB
M8 - DCG0600904BHXNAB
M9 - DCG0600904BJS AAC
M10 - DCG0600904BJS MAB
M11 - DCG0600904BJSTAB
M12 - DCG0600904BJXAAC
M13 - DCG0600904BXS XAB
M14 - DCG0600904BXXCAC
M15 - DCG0600904BXXAC
M16 - DCG0601403BAXXAA
M17 - DCG0601403BHSAAB
M18 - DCG0601403BHXAAB
M19 - DCG0601403BJS AAB
M20 - DCG0601403BJXAAA
M21 - DCG0601403BJXNAB
M22 - DCG0601403BJXUAA
M23 - DCG0601403BXS FAA
M24 - DCG0601403BXS XAB
M25 - DCG0601404BAXJAB
M26 - DCG0601404BJXFAB
M27 - DCG0601404BXXAAB
M28 - DCG0601404BXXJAB
M29 - DCG0601407BAXAAA

Cabinet Assy

Image 1

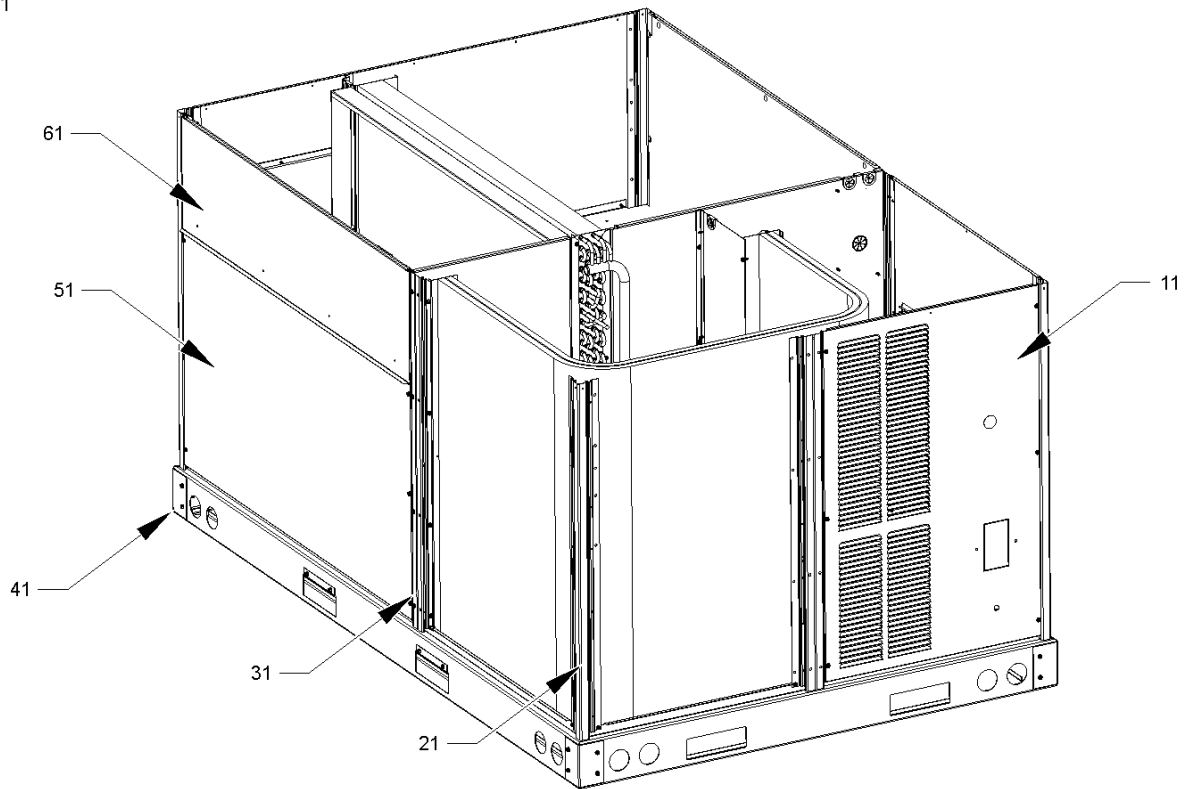
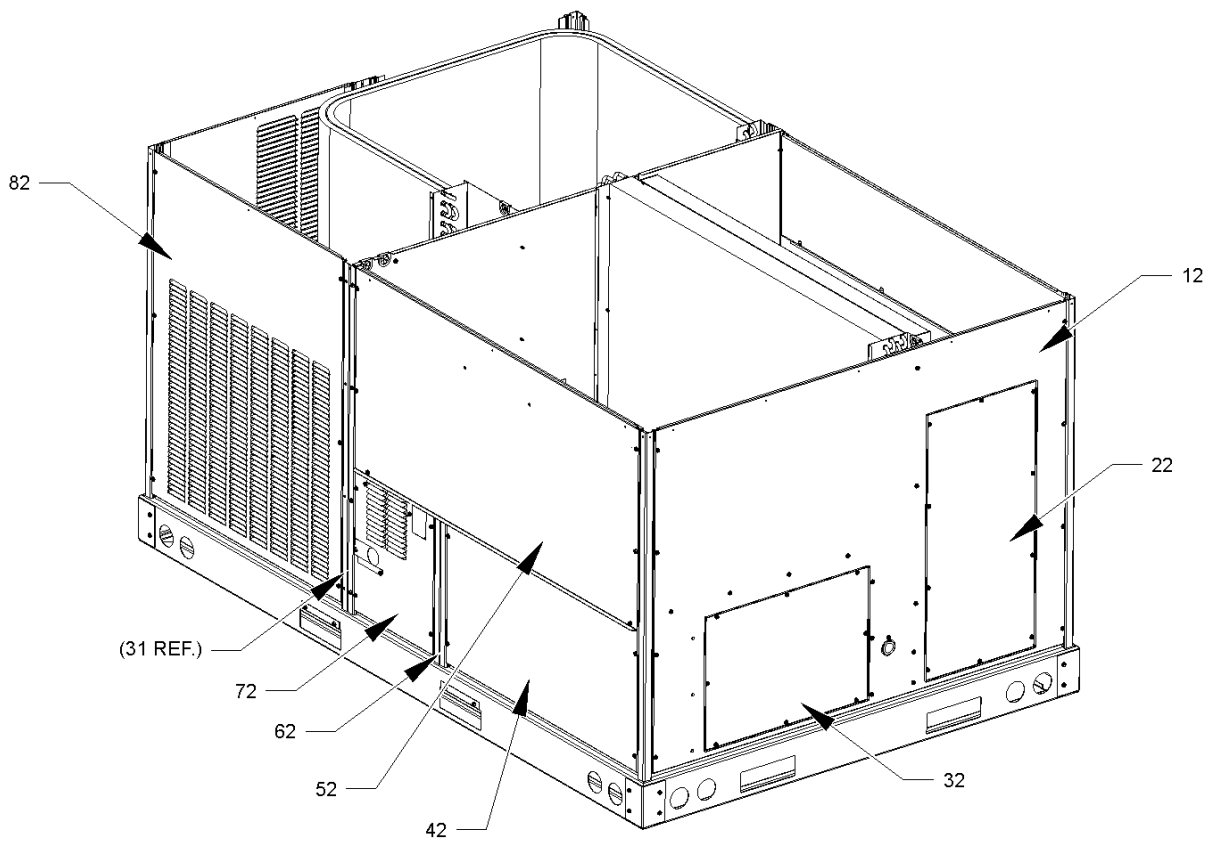


Image 2



Cabinet Assy

Ref. Part		Ref. Part	
No: No:	Description:	No: No:	Description:

Image 1:

11	0121L00263NG	LOUVERED COMPRESSOR PANEL
21	0121L00237RFNG	CORNER POST (QTY 3)
31	0121L00233RFNG	POST-SIDE SUPPORT (QTY 2)
41	0121G00301	RAIL CORNER BRACKET (QTY 4)
51	0121L00976NG	ECONOMIZER DOOR
61	0270L00362NG	FILTER DOOR
NS	0164L00009	GASKET-RUBBER, CPOST (QTY 3)
NS	0164L00011	GASKET-RUBBER, SIDE POST (QTY 4)

Image 2:

12	0121L00236NG	DUCT PANEL
22	0121L00023NG	RETURN DUCT COVER
32	0121L00024NG	SUPPLY DUCT COVER
42	0121L00257NG	HEAT EXCHANGER DOOR (M6, M8, M10, M13, M16, M20, M22, M23, M25, M26, M27, M28, M29)
42	0121L01108NG	HEAT EXCHANGER DOOR (M1, M2, M3, M4, M5, M7, M9, M11, M12, M14, M15, M17, M18, M19, M21, M24)
52	0121L00259NG	BLOWER DOOR (M6, M8, M10, M13, M16, M20, M22, M23, M25, M26, M27, M28, M29)
52	0121L01157NG	BLOWER DOOR (M1, M2, M3, M4, M5, M7, M9, M11, M12, M14, M15, M17, M18, M19, M21, M24)
62	0121L01110RFNG	BURNER POST (M1, M2, M3, M4, M5, M7, M9, M11, M12, M14, M15, M17, M18, M19, M21, M24)
62	0121L00255RFNG	POST-BURNER DOOR (M6, M8, M10, M13, M16, M20, M22, M23, M25, M26, M27, M28, M29)
72	0121L00706NG	BURNER DOOR (M6, M8, M10, M13, M16, M20, M22, M23, M25, M26, M27, M28, M29)
72	0121L01109NG	BURNER DOOR (M1, M2, M3, M4, M5, M7, M9, M11, M12, M14, M15, M17, M18, M19, M21, M24)
82	0121L00262NG	LOUVERED CONTROL PANEL (M6, M8, M10, M13, M16, M20, M22, M23, M25, M26, M27, M28, M29)
82	0121L01121NG	LOUVERED CONTROL PANEL (M1, M2, M3, M4, M5, M7, M9, M11, M12, M14, M15, M17, M18, M19, M21, M24)
NS	0121L00295NG	FLUE COLLAR (M6, M8, M10, M13, M16, M20, M22, M23, M25, M26, M27, M28, M29)
NS	0121L01175NG	FLUE COLLAR (M1, M2, M3, M4, M5, M7, M9, M11, M12, M14, M15, M17, M18, M19, M21, M24)
NS	0121L00689	RAIN SHIELD-DOOR

Expanded Model Nomenclature

M1 - DCG0600903BAXAAB
M2 - DCG0600903BHXBAB
M3 - DCG0600903BJSTAB
M4 - DCG0600903BJXAAB
M5 - DCG0600903BJXNAB
M6 - DCG0600903BXXAAA
M7 - DCG0600903BXXXAB
M8 - DCG0600904BHXNAB
M9 - DCG0600904BJS AAC
M10 - DCG0600904BJS MAB
M11 - DCG0600904BJSTAB
M12 - DCG0600904BJXAAC
M13 - DCG0600904BXS XAB
M14 - DCG0600904BXXCAC
M15 - DCG0600904BXX XAC
M16 - DCG0601403BAXXAA
M17 - DCG0601403BHSAAB
M18 - DCG0601403BHXAAB
M19 - DCG0601403BJS AAB
M20 - DCG0601403BJXAAA
M21 - DCG0601403BJXNAB
M22 - DCG0601403BJXUAA
M23 - DCG0601403BXS FAA
M24 - DCG0601403BXS XAB
M25 - DCG0601404BAXJAB
M26 - DCG0601404BJXFAB
M27 - DCG0601404BXXAAB
M28 - DCG0601404BXXJAB
M29 - DCG0601407BAXAAA

Partition Assy

Image 1

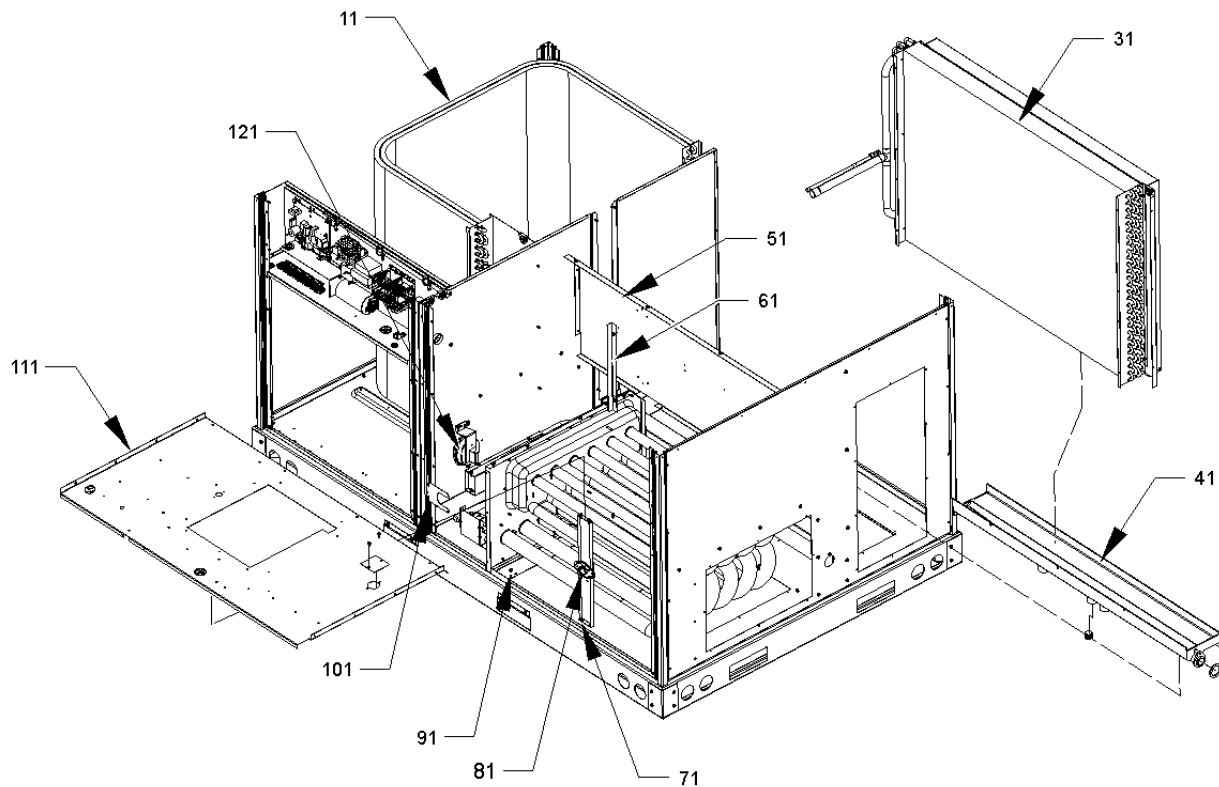
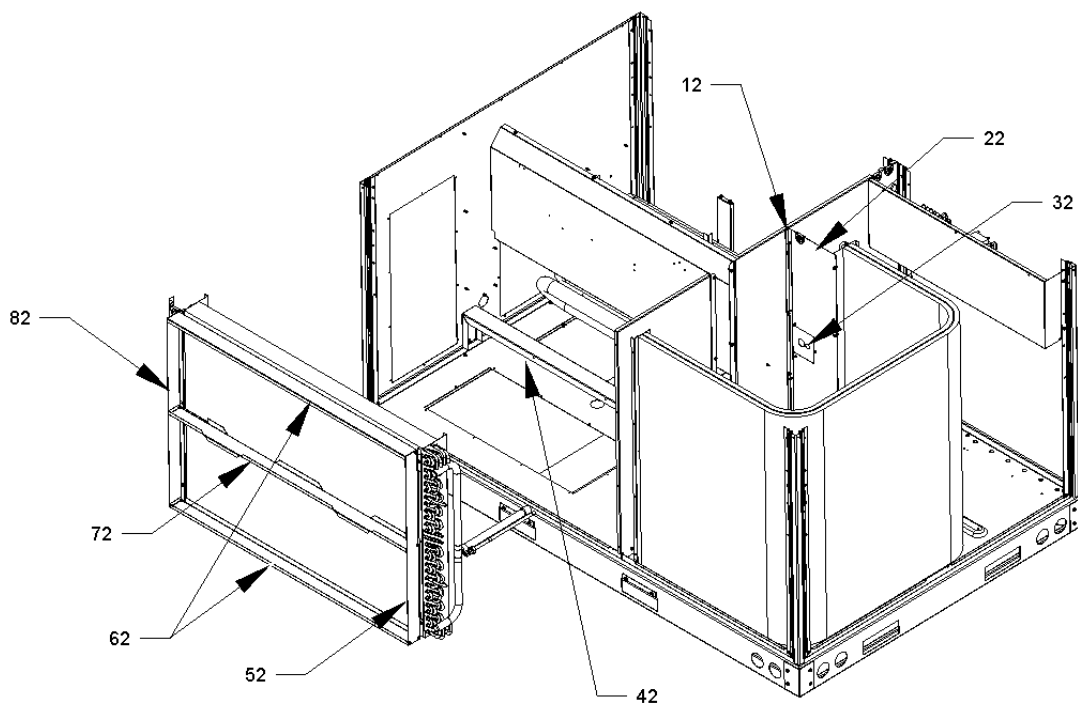


Image 2



Partition Assy

Ref. Part No: No:	Description:	Ref. Part No: No:	Description:
-------------------	--------------	-------------------	--------------

Image 1:

11	0201L00141	TUBING ASSY, COND COIL
31	0202L00020	TUBING ASSY, EVAP COIL
41	0161L00005	DRAIN PAN
51	0121L00243	DECK SIDE CHANNEL
61	0121L00293	BACK ANGLE-HEAT EXCHANGER (QTY 2)
71	0121L00300	SUPPORT POST-DECK
81	20162903	PRIMARY LIMIT - BLUE (M1, M2, M3, M4, M5, M6, M7, M8, M9, M10, M11, M12, M13, M14, M15)
81	0130F00035	PRIMARY LIMIT - PURPLE 220° (M16, M17, M18, M19, M20, M21, M22, M23, M24, M25, M26, M27, M28, M29)
91	0121L00266	HEAT PANEL CHANNEL (QTY 2)
101	0121L00299NG	GAS VALVE BRACKET (M6, M8, M10, M13, M16, M20, M22, M23, M25, M26, M27, M28, M29)
111	0121L01107	BLOWER DECK (M1, M2, M3, M4, M5, M7, M9, M11, M12, M14, M15, M17, M18, M19, M21, M24)
111	0121L01205	BLOWER DECK (M6, M8, M10, M13, M16, M20, M22, M23, M25, M26, M27, M28, M29)
121	11112501	PRESSURE SWITCH
NS	A3468601	PRESSURE SWITCH HOSE
NS	0121L00321	SMOKE DETECTOR COVER

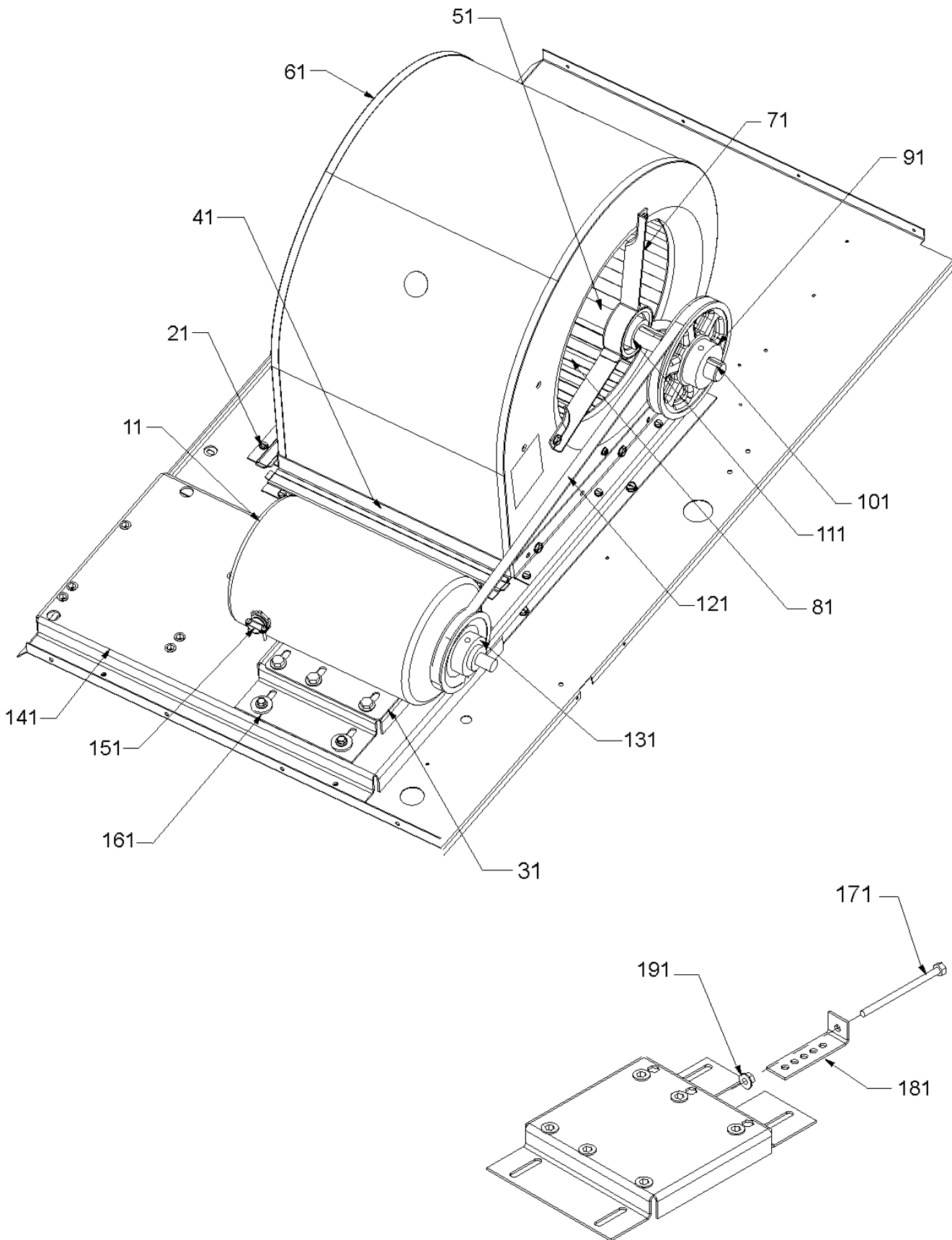
Image 2:

12	0121L00254	COND MOUNTING ANGLE
22	0121L00882	BLOCKOFF-CONDENSER
32	0121L00939	CONDENSER BLOCKOFF PLATE
42	0121L00238	DRAIN PAN SUPPORT
52	0121L00287	FILTER ANGLE-VERTICAL (RETURN SIDE)
62	0121L00932	FILTER ANGLE-HORIZONTAL (QTY 2)
72	0121L00298	FILTER ANGLE-HORIZONTAL (CENTER)
82	0121L00303	FILTER ANGLE-VERTICAL (HAIRPIN SIDE)
NS	0160L00008	FILTER 14 X 20 X 2 (QTY 4)

Expanded Model Nomenclature

M1 - DCG0600903BAXAAB
M2 - DCG0600903BHXBAB
M3 - DCG0600903BJSTAB
M4 - DCG0600903BJXAAB
M5 - DCG0600903BJXNAB
M6 - DCG0600903BXXAAA
M7 - DCG0600903BXXAB
M8 - DCG0600904BHXNAB
M9 - DCG0600904BJS AAC
M10 - DCG0600904BJS MAB
M11 - DCG0600904BJSTAB
M12 - DCG0600904BJX AAC
M13 - DCG0600904BXS XAB
M14 - DCG0600904BXXCAC
M15 - DCG0600904BXXAC
M16 - DCG0601403BAXXAA
M17 - DCG0601403BHSAAB
M18 - DCG0601403BHXAAB
M19 - DCG0601403BJS AAB
M20 - DCG0601403BJXAAA
M21 - DCG0601403BJXNAB
M22 - DCG0601403BJXUAA
M23 - DCG0601403BXS FAA
M24 - DCG0601403BXS XAB
M25 - DCG0601404BAXJAB
M26 - DCG0601404BJXFAB
M27 - DCG0601404BXXAAB
M28 - DCG0601404BXXJAB
M29 - DCG0601407BAXAAA

Belt Drive Assy



Belt Drive Assy

**Ref. Part
No: No:**

Description:

**Ref. Part
No: No:**

Description:

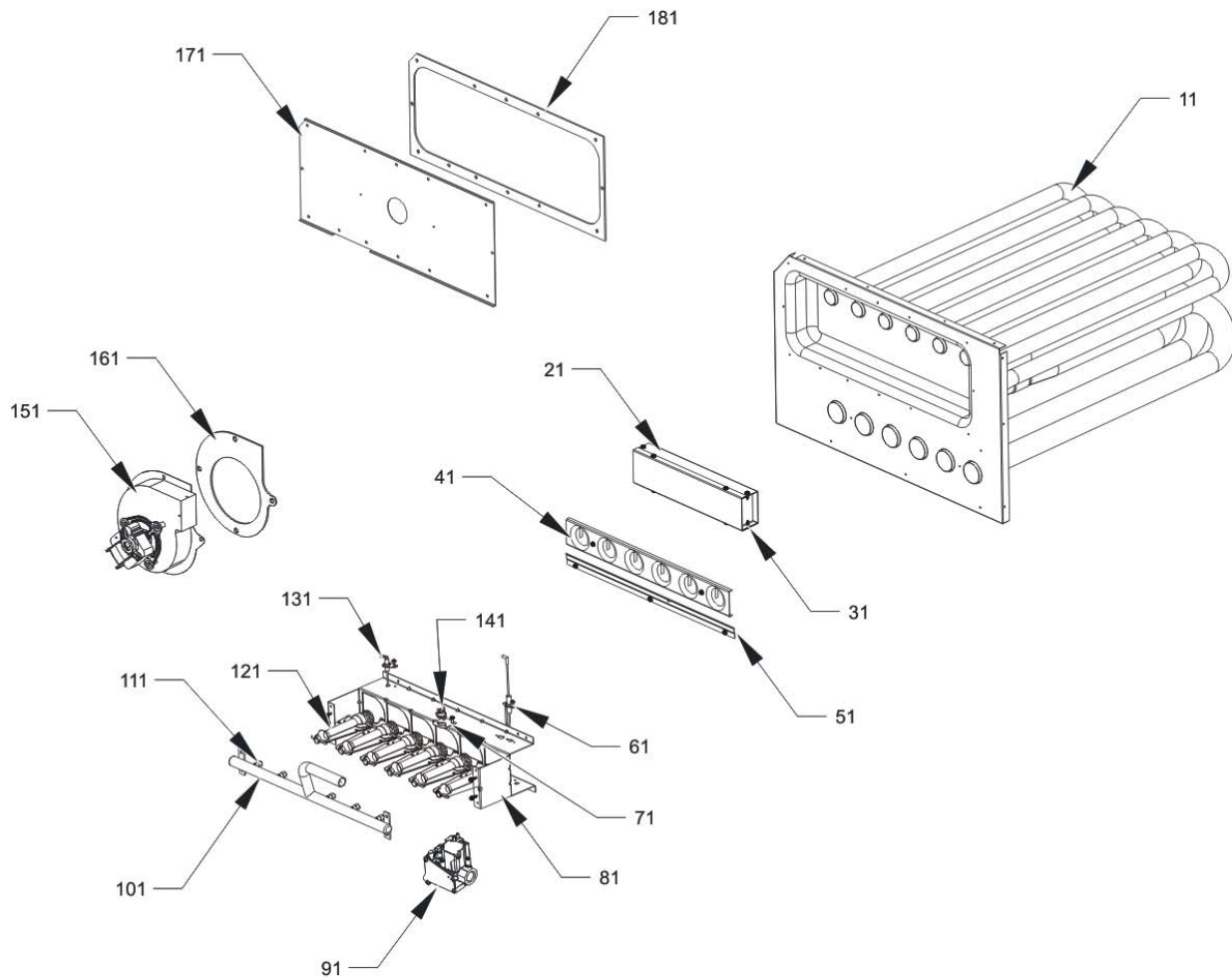
Image 1:

11	0131L00003	BELT DRIVE MOTOR 1 HP (M1, M2, M3, M4, M5, M6, M7, M8, M9, M10, M11, M12, M13, M14, M15, M16, M17, M18, M19, M20, M21, M22, M23, M24, M25, M26, M27, M28)
11	0131L00004	BELT DRIVE MOTOR 1.5 HP 575V (M29)
21	0121L00297	BLOWER SIDE ANGLE (QTY 3)
31	0121L00899	MOTOR BASE
41	0121L00281	BLOWER MOUNTING ANGLE
51	0163L00005	BELT DRIVE BLOWER SHAFT
61	2539302F	BLOWER HOUSING 11 X 10
71	B3201300	MOUNTING BRACKET BEARING (QTY 2)
81	B1368056	BELT DRIVE BLOWER WHEEL
91	B3204303	FIXED SHEAVE AK61
101	B1398604	STEEL KEY (000158812) 2.0"
111	B1399500	BALL BEARING 1.00" (QTY 2)
121	0164L00010	FAN BELT, NOTCHED
131	B2120001	VARIABLE PITCH SHEAVE 1VL44 X 3/8"
141	0121L01203	BLOWER PLATE SUPPORT
151	B1393726	ELECT. CONNECTING BUSHING
161	B1393738	BOLT 1/4-20 X 3/4" (QTY 8)
171	0163M00045	BOLT 1/4-20 X 4"
181	3225000F	BELT TIGHTENER ANGLE
191	B1393023	NUT / LOCK .25-20
NS	1864703F	BLOWER CUT-OFF
NS	20162905	PRIMARY LIMIT-YELLOW
NS	B1398603	STEEL KEY (000158812) 4.5"

Expanded Model Nomenclature

M1 - DCG0600903BAXAAB
M2 - DCG0600903BHXBAB
M3 - DCG0600903BJSTAB
M4 - DCG0600903BJXAAB
M5 - DCG0600903BJXNAB
M6 - DCG0600903BXXAAA
M7 - DCG0600903BXXAB
M8 - DCG0600904BHXNAB
M9 - DCG0600904BJS AAC
M10 - DCG0600904BJS MAB
M11 - DCG0600904BJSTAB
M12 - DCG0600904BJXAAC
M13 - DCG0600904BXS XAB
M14 - DCG0600904BXXCAC
M15 - DCG0600904BXXAC
M16 - DCG0601403BAXXAA
M17 - DCG0601403BHSAAB
M18 - DCG0601403BHXAAB
M19 - DCG0601403BJS AAB
M20 - DCG0601403BJXAAA
M21 - DCG0601403BJXNAB
M22 - DCG0601403BJXUAA
M23 - DCG0601403BXS FAA
M24 - DCG0601403BXS XAB
M25 - DCG0601404BAXJAB
M26 - DCG0601404BJXFAB
M27 - DCG0601404BXXAAB
M28 - DCG0601404BXXJAB
M29 - DCG0601407BAXAAA

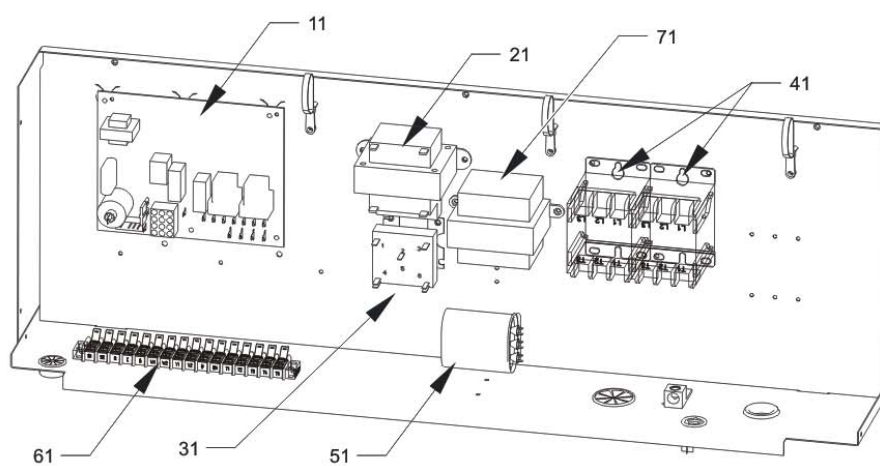
Heat Exchanger



Heat Exchanger

Ref. Part No: No:	Description:	Ref. Part No: No:	Description:
<i>Image 1:</i>		Expanded Model Nomenclature	
11	0270L00092 PART/TUBE ASSY 4B (M1, M2, M4, M5, M6, M7, M8, M12, M14, M15)	M1 -	DCG0600903BAXAAB
11	0270L00105 PART/TUBE ASSY 4B (M3, M9, M10, M11, M13)	M2 -	DCG0600903BHXBAB
11	0270L00072 PART/TUBE ASSY 6B (M16, M18, M20, M21, M22, M25, M26, M27, M28, M29)	M3 -	DCG0600903BJSTAB
11	0270L00104 PART/TUBE ASSY 6B (M17, M19, M23, M24)	M4 -	DCG0600903BJXAAB
31	0121L00278 FLUE SIDE COVER	M5 -	DCG0600903BJXNAB
41	11072203 ORIFICE SHIELD (M1, M2, M3, M4, M5, M6, M7, M8, M9, M10, M11, M12, M13, M14, M15)	M6 -	DCG0600903BXXAAA
41	11072205 ORIFICE SHIELD (M16, M17, M18, M19, M20, M21, M22, M23, M24, M25, M26, M27, M28, M29)	M7 -	DCG0600903BXXAB
51	0121L00267 BURNER SLIDE BRACKET	M8 -	DCG0600904BHXNAB
61	20261709 IGNITOR	M9 -	DCG0600904BJSAAAC
71	0121L00053 FLAME ROLLOUT BRACKET	M10 -	DCG0600904BJSMAAB
81	20190412 BURNER BRACKET 4B (M1, M2, M3, M4, M5, M6, M7, M8, M9, M10, M11, M12, M13, M14, M15)	M11 -	DCG0600904BJSTAB
81	0121F00145 BURNER BRACKET 6B (M16, M17, M18, M19, M20, M21, M22, M23, M24, M25, M26, M27, M28, M29)	M12 -	DCG0600904BJXAAC
91	0151F00000P GAS VALVE - WHITE-RODGERS 2-STAGE	M13 -	DCG0600904BXSAB
101	0163L00026 MANIFOLD - 4 BRNR (M1, M2, M3, M4, M5, M6, M7, M8, M9, M10, M11, M12, M13, M14, M15)	M14 -	DCG0600904BXXCAC
101	0163L00025 MANIFOLD - 6 BRNR (M16, M17, M18, M19, M20, M21, M22, M23, M24, M25, M26, M27, M28, M29)	M15 -	DCG0600904BXXAC
111	10716003 ORIFICE (QTY 4)	M16 -	DCG0601403BAXXAA
121	10735102 BECKETT BURNER (QTY 4)	M17 -	DCG0601403BHSAAB
131	0130F00010 FLAME SENSOR	M18 -	DCG0601403BHXAAB
141	10123532 MANUAL RESET LIMIT 350°F	M19 -	DCG0601403BJSAAAB
151	0131M00121 ID COMBUSTION BLOWER	M20 -	DCG0601403BJXAAA
161	0154L00020 ID BLOWER GASKET	M21 -	DCG0601403BJXNAB
171	0121L00241 ID BLOWER PLATE (M16, M17, M18, M19, M20, M21, M22, M23, M24, M25, M26, M27, M28, M29)	M22 -	DCG0601403BJXUAA
171	0121L00284 ID BLOWER PLATE 4 BRNR (M1, M2, M3, M4, M5, M6, M7, M8, M9, M10, M11, M12, M13, M14, M15)	M23 -	DCG0601403BXSFAA
181	0154L00018 ID BLOWER PLATE GASKET 4 BRNR (M1, M2, M3, M4, M5, M6, M7, M8, M9, M10, M11, M12, M13, M14, M15)	M24 -	DCG0601403BXSAB
181	0154L00017 ID BLOWER PLATE GASKET 6 BRNR (M16, M17, M18, M19, M20, M21, M22, M23, M24, M25, M26, M27, M28, M29)	M25 -	DCG0601404BAXJAB
NS	0163L00072 SCREEN-FLUE	M26 -	DCG0601404BJXFAB
		M27 -	DCG0601404BXXAAB
		M28 -	DCG0601404BXXJAB
		M29 -	DCG0601407BAXAAA

Control Panel Assy



Control Panel Assy

Ref. Part No:	No:	Description:	Ref. Part No:	No:	Description:
<i>Image 1:</i>			Expanded Model Nomenclature		
12	PCBAG123	IGNITION BOARD, DSI INTEGRATED	M1 -	DCG0600903BAXAAB	
21	0130M00138	TRANSFORMER 208/230, 24V (M1, M2, M3, M4, M5, M6, M7, M16, M17, M18, M19, M20, M21, M22, M23, M24)	M2 -	DCG0600903BHXBAB	
21	0130M00145	TRANSFORMER 480V to 24V, 75VA (M8, M9, M10, M11, M12, M13, M14, M15, M25, M26, M27, M28)	M3 -	DCG0600903BJSTAB	
21	0130M00148	TRANSFORMER 575V to 24V, 75VA (M29)	M4 -	DCG0600903BJXAAB	
31	0130M00025	24V RELAY	M5 -	DCG0600903BJXNAB	
42	CONT3P025024V	CONTACTOR 25 AMP, 3P, 24V (M8, M9, M10, M11, M12, M13, M14, M15, M25, M26, M27, M28, M29)	M6 -	DCG0600903BXXAAA	
42	CONT3P030024V	CONTACTOR 30 AMP, 3P, 24V (M1, M2, M3, M4, M5, M6, M7, M16, M17, M18, M19, M20, M21, M22, M23, M24)	M7 -	DCG0600903BXXAB	
52	CAP050000370LA	CAPACITOR 5/370V (M1, M2, M3, M4, M5, M6, M7, M11, M16, M17, M18, M19, M20, M21, M22, M23, M24, M29)	M8 -	DCG0600904BHXNAB	
52	CAP075000370LA	CAPACITOR 7.5/370V (M8, M9, M10, M12, M13, M14, M15, M25, M26, M27, M28)	M9 -	DCG0600904BJS AAC	
61	0130M00038	TERMINAL BOARD	M10 -	DCG0600904BJS MAB	
71	0130M00146	TRANSFORMER 480V TO 230V, 150VA (M8, M9, M10, M11, M12, M13, M14, M15, M25, M26, M27, M28)	M11 -	DCG0600904BJSTAB	
71	0130M00147	TRANSFORMER 575V TO 230V, 150VA (M29)	M12 -	DCG0600904BJXAAC	
NS	20520901	CAPACITOR STRAP	M13 -	DCG0600904BXS XAB	
NS	0259L00074	CONTROL HARNESS (M1, M2, M3, M4, M5, M6, M7, M16, M17, M18, M19, M20, M21, M22, M23, M24)	M14 -	DCG0600904BXXCAC	
NS	0259L00075	CONTROL HARNESS (M8, M9, M10, M11, M12, M13, M14, M15, M25, M26, M27, M28, M29)	M15 -	DCG0600904BXXAC	
NS	0259L00179	HARNESS, ECONOMIZER	M16 -	DCG0601403BAXXAA	
NS	0259L00125	HARNESS, WIRING	M17 -	DCG0601403BHSAAB	
NS	0259L00054	WIRING HARNESS (M1, M2, M3, M4, M5, M6, M7, M16, M17, M18, M19, M20, M21, M22, M23, M24, M29)	M18 -	DCG0601403BHXAAB	
NS	0259L00060	WIRING HARNESS (M8, M9, M10, M11, M12, M13, M14, M15, M25, M26, M27, M28)	M19 -	DCG0601403BJS AAB	
NS	0259L00065	WIRING HARNESS	M20 -	DCG0601403BJXAAA	
NS	0259L00069	WIRING HARNESS	M21 -	DCG0601403BJXNAB	
			M22 -	DCG0601403BJXUAA	
			M23 -	DCG0601403BXS FAA	
			M24 -	DCG0601403BXS XAB	
			M25 -	DCG0601404BAXJAB	
			M26 -	DCG0601404BJXFAB	
			M27 -	DCG0601404BXXAAB	
			M28 -	DCG0601404BXXJAB	
			M29 -	DCG0601407BAXAAA	

ACCESSORY PARTS LIST

Accessory Parts List

Ref. Part No:	Description:	Ref. Part No:	Description:
<i>Image 1:</i>		Expanded Model Nomenclature	
NS 0130M00065	CIRCUIT BREAKER, CONVENIENCE OUTLET (M2, M3, M5, M8, M10, M11, M21)	M1 - DCG0600903BAXAAB	
NS 0270L00545	CONVENIENCE OUTLET ASSEMBLY (M1, M4, M6, M9, M12, M17, M18, M19, M20, M22, M23, M25, M26, M27, M28, M29)	M2 - DCG0600903BHXBAB	
NS 0270L00546	CONVENIENCE OUTLET ASSEMBLY (M2, M3, M5, M8, M10, M11, M21)	M3 - DCG0600903BJSTAB	
NS DSC060A38YD01FI	DISCONNECT MODULE ASSY (M2, M3, M4, M5, M8, M9, M10, M11, M12, M17, M18, M19, M20, M21, M22, M26)	M4 - DCG0600903BJXAAB	
NS DNE036072BF1	DOWNFLOW ECONO-DAIKIN, 3-6 TON (M1, M3, M4, M5, M9, M10, M11, M12, M16, M19, M20, M21, M22, M25, M26, M29)	M5 - DCG0600903BJXNAB	
NS LAKT01FIAC	LOW AMBIENT KIT (M3, M10, M11, M14, M22, M23, M26)	M6 - DCG0600903BXXAAA	
NS SDRKT01FI5	SMOKE DETECTOR ASSEMBLY (M5, M8, M21, M22)	M7 - DCG0600903BXXAB	
NS SDSRKT01FI5	SMOKE DETECTOR ASSEMBLY (M3, M11, M25, M28)	M8 - DCG0600904BHXNAB	
NS 0130M00061	TRANSFORMER, CONVENIENCE OUTLET (M2, M3, M5, M8, M10, M11, M21)	M9 - DCG0600904BJS AAC	
		M10 - DCG0600904BJS MAB	
		M11 - DCG0600904BJSTAB	
		M12 - DCG0600904BJX AAC	
		M13 - DCG0600904BXS XAB	
		M14 - DCG0600904BXXCAC	
		M15 - DCG0600904BXXAC	
		M16 - DCG0601403BAXXAA	
		M17 - DCG0601403BHSAAB	
		M18 - DCG0601403BHXAAB	
		M19 - DCG0601403BJS AAB	
		M20 - DCG0601403BJXAAA	
		M21 - DCG0601403BJXNAB	
		M22 - DCG0601403BJXUAA	
		M23 - DCG0601403BXS FAA	
		M24 - DCG0601403BXS XAB	
		M25 - DCG0601404BAXJAB	
		M26 - DCG0601404BJXFAB	
		M27 - DCG0601404BXXAAB	
		M28 - DCG0601404BXXJAB	
		M29 - DCG0601407BAXAAA	