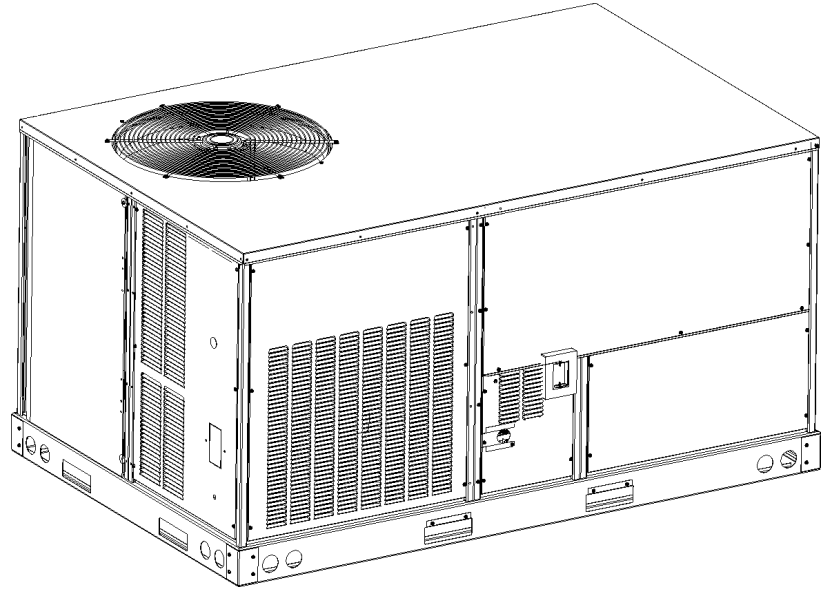


Commercial 4 Ton Direct Drive Package Gas Units

DCG0480901DAXCAA
DCG0480901DXXXAA
DCG0480901DXXXAB
DCG0480903DAXDAB
DCG0480903DAXXAB
DCG0480903DXDXAB
DCG0480903DXXAAB
DCG0480903DXXBAB
DCG0480903DXXGAB
DCG0480903DXXXAA
DCG0480903DXXXAB
DCG0481151DXXXAA
DCG0481151DXXXAB
DCG0481153DHDFAB
DCG0481153DHXBAA
DCG0481153DHXMAB
DCG0481153DJGAB
DCG0481153DJXMAB
DCG0481153DJXXAB
DCG0481153DVDXAB
DCG0481153DXXXAA
DCG0481153DXXXAB



This manual is to be used by qualified technicians only.

This manual replaces RP-D1002K.

© 2013 - 2016 **DAIKIN COMPANY, L.P.** ♦ 5151 San Felipe St., Suite 500 ♦ Houston, TX 77056

Important Information

Index

Functional Parts List	3
Illustration and Parts	4 - 15

Views shown are for parts illustrations only, not servicing procedures

Text Codes:

AR - As Required

NA - Not Available

NS - Not Shown

00000000 - See Note

QTY - Quantity Example (QTY 3) (If Quantity not shown, Quantity = 1)

M - Model Example (M1) (If M Code not shown, then part is used on all Models)

Expanded Model Nomenclature:

Example M1 - Model#1 M2 - Model#2 M3 - Model#3

Daikin Company, L.P. is not responsible for personal injury or property damage resulting from improper service. Review all service information before beginning repairs.

Warranty service must be performed by an authorized technician, using authorized factory parts. If service is required after the warranty expires, Daikin Company, L.P. also recommends contacting an authorized technician and using authorized factory parts.

Daikin Company, L.P. reserves the right to discontinue, or change at any time, specifications or designs without notice or without incurring obligations.

For assistance within the U.S.A. contact:

Homeowner Support
Daikin North America, LLC
19001 Kermier Road
Waller, Texas 77484
855-770-5678-Telephone
713-863-2382-Facsimile

For assistance outside the U.S.A. contact:

International Division
Daikin North America, LLC
19001 Kermier Road
Waller, Texas 77484
713-861-2500-Telephone
713-863-2382-Facsimile

Functional Parts

Part

No: Description:

Part No:	Description:	Expanded Model Nomenclature
B1370155	AUXILIARY LIMIT SWITCH 120°F (M1, M2, M3, M4, M5, M6, M7, M8, M9, M10, M11)	M1 - DCG0480901DAXCAA
20269903	AUXILIARY LIMIT, AUTO RESET (M1, M2, M3, M4, M5, M6, M7, M8, M9, M10, M11, M12, M13, M14, M15, M16, M18, M19, M20, M21, M22)	M2 - DCG0480901DXXXAA
10735102	BECKETT BURNER (QTY 4)	M3 - DCG0480901DXXXAB
D6723303	BLOWER WHEEL	M4 - DCG0480903DAXDAB
CAP150000370LA	CAPACITOR 15/370V	M5 - DCG0480903DAXXAB
CAP050000370LA	CAPACITOR 5/370V (M4, M5, M6, M7, M8, M9, M10, M11, M14, M15, M16, M17, M18, M19, M20, M21, M22)	M6 - DCG0480903DXDXAB
CAP050450440CT	CAPACITOR 5/45/440V/DUAL RD (M1, M2, M3, M12, M13)	M7 - DCG0480903DXXAAB
ZP39K5ETF5130	COMPRESSOR 39000, 200/230/60/3 (M4, M5, M6, M7, M8, M9, M10, M11, M14, M15, M16, M17, M18, M19, M20, M21, M22)	M8 - DCG0480903DXXBAB
ZP39K5EPFV130	COMPRESSOR 39000, 208/230/60/1 (M1, M2, M3, M12, M13)	M9 - DCG0480903DXXGAB
0131M00429	COND MOTOR 1/4 HP, 1 SP, 6 PL	M10 - DCG0480903DXXXAA
CONT3P025024V	CONTACTOR 25 AMP, 3P, 24V (M4, M5, M6, M7, M8, M9, M10, M11, M14, M15, M16, M17, M18, M19, M20, M21, M22)	M11 - DCG0480903DXXXAB
CONT1P030024V	CONTACTOR 30 AMP, 1P, 24V (M1, M2, M3, M12, M13)	M12 - DCG0481151DXXXAA
0130M00209	CUT-OUT SWITCH, HIGH PRESSURE	M13 - DCG0481151DXXXAB
0130L00007	CUT-OUT SWITCH, LOW PRESSURE	M14 - DCG0481153DHDFAB
0150G00004	FAN BLADE	M15 - DCG0481153DHXBAA
0130F00010	FLAME SENSOR	M16 - DCG0481153DHXMAB
0151F00000P	GAS VALVE - WHITE-RODGERS 2-STAGE	M17 - DCG0481153DJKGAB
PCBAG123	IGNITION BOARD, DSI INTEGRATED	M18 - DCG0481153DJXMAB
20261709	IGNITOR	M19 - DCG0481153DJXXAB
10123532	MANUAL RESET LIMIT 350°F	M20 - DCG0481153DVDXAB
11112501	PRESSURE SWITCH	M21 - DCG0481153DXXXAA
0130M00063	PRIMARY LIMIT - GOLD 140° (M17)	M22 - DCG0481153DXXXAB
0130F00037	PRIMARY LIMIT - GRAY 150° (M17)	
20162904	PRIMARY LIMIT-TEMPERATURE CONTROL (M12, M13, M14, M15, M16, M18, M19, M20, M21, M22)	
0130M00138	TRANSFORMER 208/230, 24V	

Top Panel And Tubing Assembly

IMAGE 1

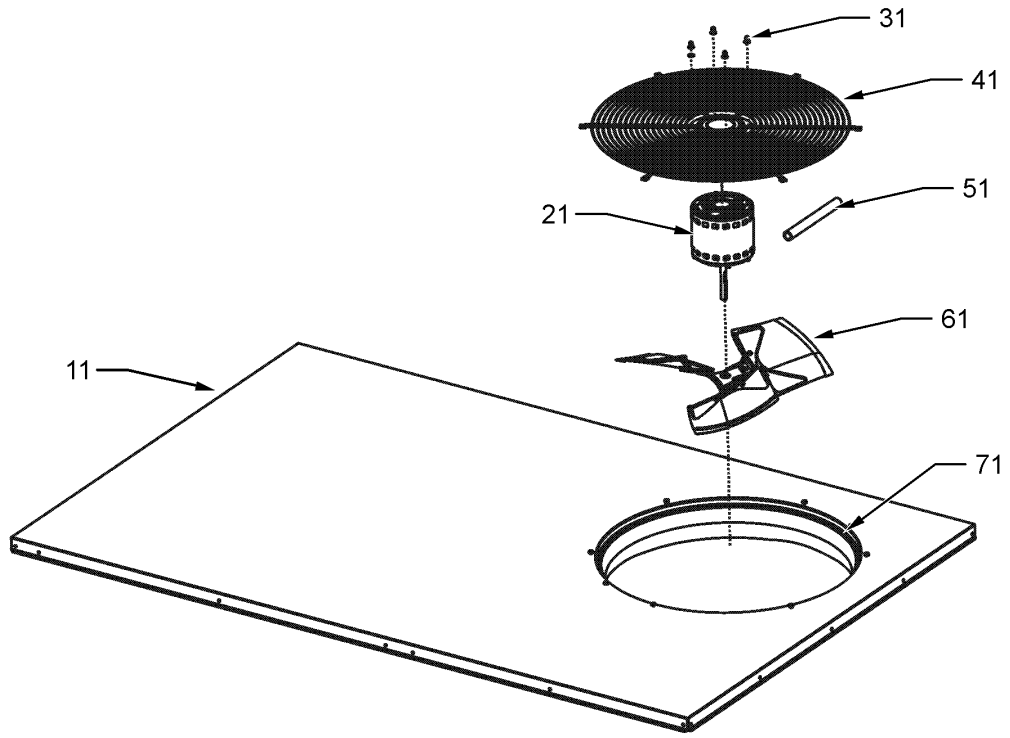
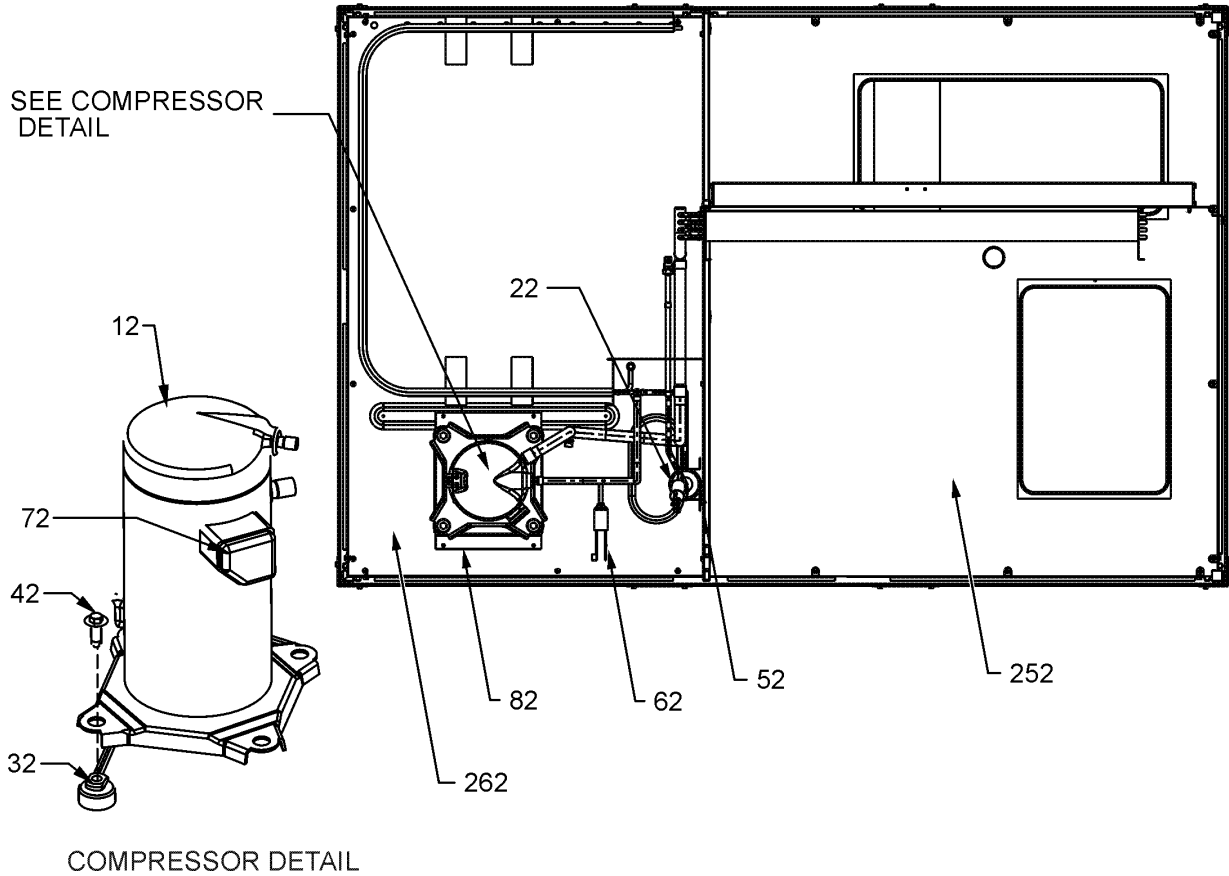


IMAGE 2



Top Panel And Tubing Assembly

Ref. Part No: No:	Description:	Ref. Part No: No:	Description:
-------------------	--------------	-------------------	--------------

Image 1:

11	0121L00235NG	TOP PANEL
21	0131M00429	COND MOTOR 1/4 HP, 1 SP,6 PL
31	0163M00006P	ACORN NUT 5/16 HEX BLACK (QTY 4)
41	0152G00003	FAN GRILLE
51	17788000083F	PVC CONDUIT 8.25"
61	0150G00004	FAN BLADE
71	0161L00000	VENTURI RING 22"
NS	0163M00004	SCREW #10X3/4", BLACK (QTY 8)
NS	0163M00005P	WASHER, BLACK (.50 OD .218ID) (QTY 4)

Image 2:

12	ZP39K5ETF5130	COMPRESSOR 39000, 200/230/60/3 (M4, M5, M6, M7, M8, M9, M10, M11, M14, M15, M16, M17, M18, M19, M20, M21, M22)
12	ZP39K5EPFV130	COMPRESSOR 39000, 208/230/60/1 (M1, M2, M3, M12, M13)
22	0130L00007	CUT-OUT SWITCH, LOW PRESSURE
32	B1339533	COMPRESSOR GROMMET (QTY 4)
42	M0221641	TF SHOULDER SCREW (QTY 4)
52	B1219225	SINGLE-FLOW FILTER DRIER, STEEL
62	0130M00209	CUT-OUT SWITCH, HIGH PRESSURE
72	0159L00027	COMPRESSOR SCROLL HARNESS (M1, M2, M3, M12, M13)
72	0159L00065	COMPRESSOR SCROLL HARNESS (M4, M5, M6, M7, M8, M9, M10, M11, M14, M15, M16, M17, M18, M19, M20, M21, M22)
82	0121L00310	COMPRESSOR MOUNTING PLATE
252	0121L00943	BASE PAN - INDOOR
262	0121L01307	BASE PAN - OUTDOOR
NS	0121L00055	BRACKET-FORK BOARD (QTY 4)
NS	0141L00003X	FORK BOARD (QTY 2)

Expanded Model Nomenclature

M1 - DCG0480901DAXCAA
M2 - DCG0480901DXXXAA
M3 - DCG0480901DXXXAB
M4 - DCG0480903DAXDAB
M5 - DCG0480903DAXXAB
M6 - DCG0480903DXDXAB
M7 - DCG0480903DXXAAB
M8 - DCG0480903DXXBAB
M9 - DCG0480903DXXGAB
M10 - DCG0480903DXXXAA
M11 - DCG0480903DXXXAB
M12 - DCG0481151DXXXAA
M13 - DCG0481151DXXXAB
M14 - DCG0481153DHDFAB
M15 - DCG0481153DHXBAA
M16 - DCG0481153DHXMAB
M17 - DCG0481153DJKGAB
M18 - DCG0481153DJXMAB
M19 - DCG0481153DJXXAB
M20 - DCG0481153DVDXAB
M21 - DCG0481153DXXXAA
M22 - DCG0481153DXXXAB

Cabinet Assembly

IMAGE 1

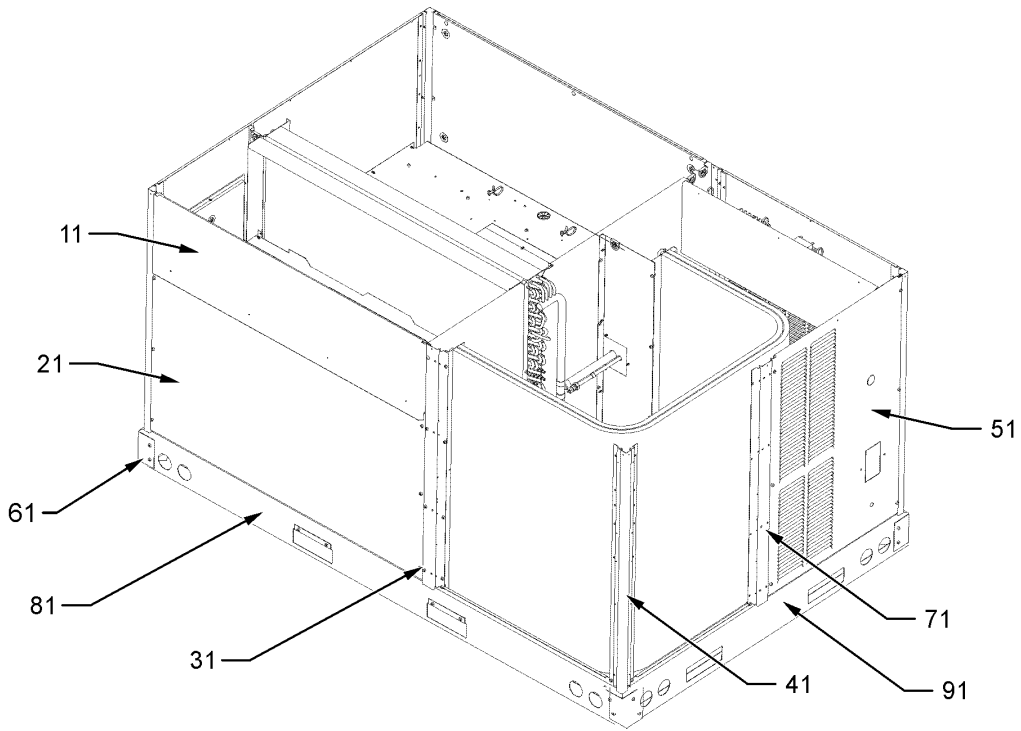
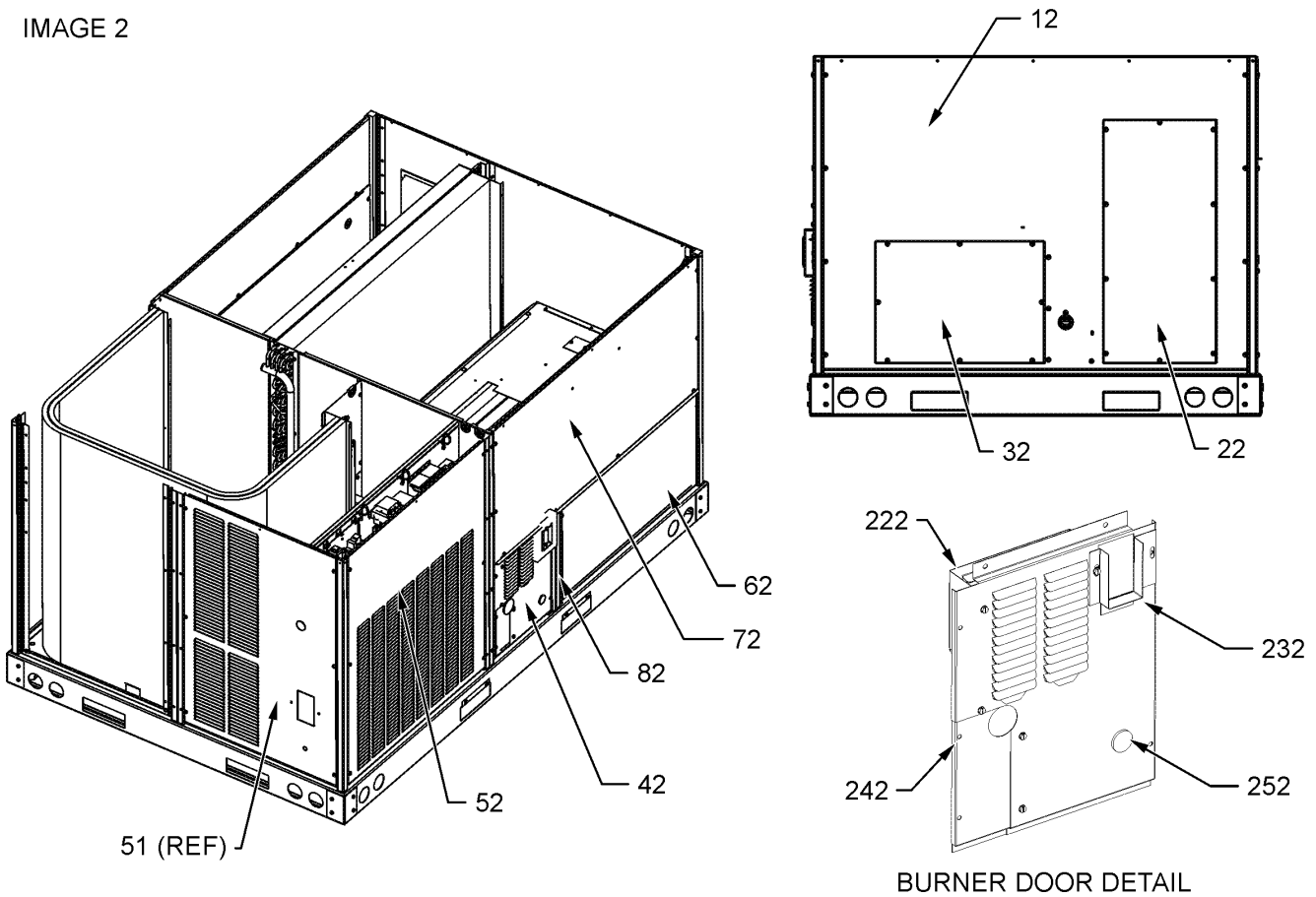


IMAGE 2



Cabinet Assembly

**Ref. Part
No: No:**

Description:

Image 1:

11	0270L00362NG	FILTER DOOR
21	0121L00976NG	ECONOMIZER DOOR
31	0121L00233RFNG	POST-SIDE SUPPORT (QTY 3)
31	0121L01374RFNG	POST-SIDE SUPPORT (M6, M14, M17, M20)
41	0121L00237RFNG	CORNER POST (QTY 4)
41	0121L01375RFNG	CORNER POST (M6, M14, M17, M20)
51	0121L00263NG	LOUVERED COMPRESSOR PANEL (M1, M2, M3, M4, M5, M6, M7, M8, M9, M10, M11, M12, M13, M20, M21, M22)
51	0121L00836NG	LOUVERED COMPRESSOR PANEL (M14, M15, M16, M17, M18, M19)
61	0121G00301	RAIL CORNER BRACKET (QTY 4)
71	0121L01159RFNG	POST-SIDE SUPPORT (M3, M4, M5, M7, M8, M9, M11, M13, M16, M18, M19, M22)
81	0121L00244RF	SIDE RAIL (QTY 2)
91	0121L00245	END RAIL (QTY 2)
NS	0121L00338	ECONOMIZER COVER (M20)
NS	0121L01309	ECONOMIZER COVER (M1, M4, M5, M17, M18, M19)
NS	0164L00009	GASKET-RUBBER, CPOST (QTY 3)
NS	0164L00011	GASKET-RUBBER, SIDE POST (QTY 4)

Image 2:

12	0121L00236NG	DUCT PANEL
22	0121L00023NG	RETURN DUCT COVER
32	0121L00024NG	SUPPLY DUCT COVER
42	0121L00706NG	BURNER DOOR (M1, M2, M10, M12, M15, M21)
42	0121L01438NG	BURNER DOOR (M3, M4, M5, M6, M7, M8, M9, M11, M13, M14, M16, M17, M18, M19, M20, M22)
52	0121L00262NG	LOUVERED CONTROL PANEL (M1, M2, M10, M12, M15, M21)
52	0121L01121NG	LOUVERED CONTROL PANEL (M3, M4, M5, M7, M8, M9, M11, M13, M16, M18, M19, M22)
52	0121L01327NG	LOUVERED CONTROL PANEL (M6, M14, M17, M20)
62	0121L00257NG	HEAT EXCHANGER DOOR (M1, M2, M10, M12, M15, M21)
62	0121L01108NG	HEAT EXCHANGER DOOR (M3, M4, M5, M6, M7, M8, M9, M11, M13, M14, M16, M17, M18, M19, M20, M22)
72	0121L00259NG	BLOWER DOOR (M1, M2, M10, M12, M15, M21)
72	0121L01157NG	BLOWER DOOR (M3, M4, M5, M6, M7, M8, M9, M11, M13, M14, M16, M17, M18, M19, M20, M22)
82	0121L01110RFNG	BURNER POST (M3, M4, M5, M6, M7, M8, M9, M11, M13, M14, M16, M17, M18, M19, M20, M22)
82	0121L00255RFNG	POST-BURNER DOOR (M1, M2, M10, M12, M15, M21)
222	0121L00689	RAIN SHIELD-DOOR (M1, M2, M10, M12, M15, M21)
222	0121L01439	RAIN SHIELD-DOOR (M3, M4, M5, M6, M7, M8, M9, M11, M13, M14, M16, M17, M18, M19, M20, M22)
232	0121L00295NG	FLUE COLLAR (M1, M2, M10, M12, M15, M21)
232	0121L01440NG	FLUE COLLAR (M3, M4, M5, M6, M7, M8, M9, M11, M13, M14, M16, M17, M18, M19, M20, M22)
242	0121L01441NG	BURNER DOOR PANEL (M3, M4, M5, M6, M7, M8, M9, M11, M13, M14, M16, M17, M18, M19, M20, M22)
252	B1392139	VIEW PORT BUSHING-BLOWER DOOR

**Ref. Part
No: No:**

Description:

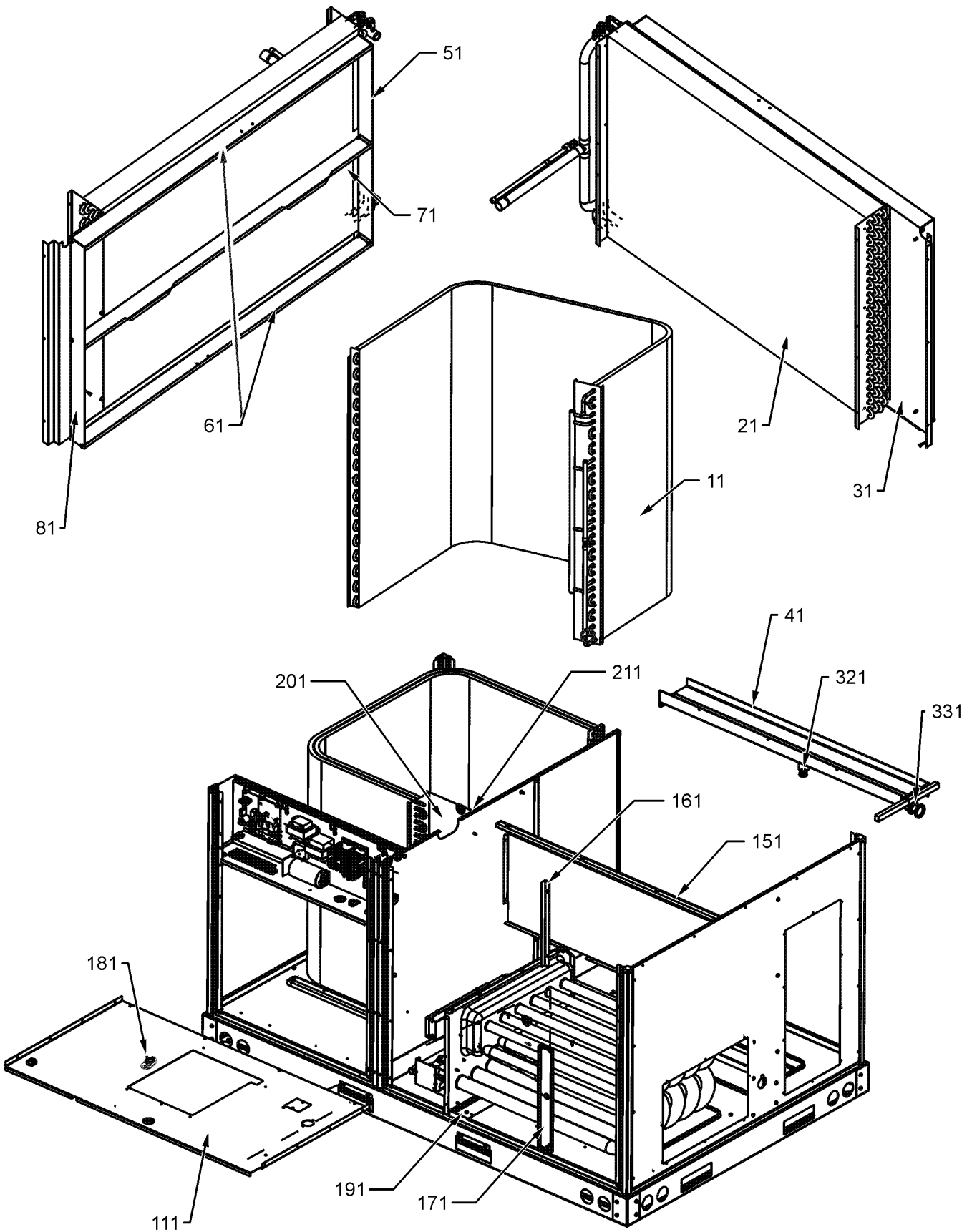
Image 2:

NS	0163L00072	FLUE SCREEN
NS	B1910012	GAS LINE GROMMET (M3, M4, M5, M6, M7, M8, M9, M11, M13, M14, M16, M17, M18, M19, M20, M22)

Expanded Model Nomenclature

M1 - DCG0480901DAXCAA
M2 - DCG0480901DXXXAA
M3 - DCG0480901DXXXAB
M4 - DCG0480903DAXDAB
M5 - DCG0480903DAXXAB
M6 - DCG0480903DXDXAB
M7 - DCG0480903DXXAAB
M8 - DCG0480903DXXBAB
M9 - DCG0480903DXXGAB
M10 - DCG0480903DXXXAA
M11 - DCG0480903DXXXAB
M12 - DCG0481151DXXXAA
M13 - DCG0481151DXXXAB
M14 - DCG0481153DHDFAB
M15 - DCG0481153DHXBAA
M16 - DCG0481153DHXMBAB
M17 - DCG0481153DJKGAB
M18 - DCG0481153DJXMAB
M19 - DCG0481153DJXXAB
M20 - DCG0481153DVDXAB
M21 - DCG0481153DXXXAA
M22 - DCG0481153DXXXAB

Partition, Evaporator and Condenser Assy



Partition, Evaporator and Condenser Assy

Ref. Part No: No:	Description:	Ref. Part No: No:	Description:
Image 1:		Expanded Model Nomenclature	
11	0201L00036 TUBING ASSY, COND COIL	M1 - DCG0480901DAXCAA	
21	0202L00029 TUBING ASSY, EVAP COIL	M2 - DCG0480901DXXXAA	
31	0121L00313 EVAP BLOCKOFF (M1, M2, M3, M5, M6, M7, M8, M10, M11, M12, M13, M14, M15, M16, M18, M19, M20, M21, M22)	M3 - DCG0480901DXXXAB	
31	0121L00336 EVAP BLOCKOFF (M4, M9, M17)	M4 - DCG0480903DAXDAB	
41	0161L00005 DRAIN PAN	M5 - DCG0480903DAXXAB	
51	0121L00287 FILTER ANGLE-VERTICAL (RETURN SIDE)	M6 - DCG0480903DXDXAB	
61	0121L00932 FILTER ANGLE-HORIZONTAL (QTY 2)	M7 - DCG0480903DXXAAB	
71	0121L01255 ANGLE-FILTER CENTER	M8 - DCG0480903DXXBAB	
81	0121L00303 FILTER ANGLE-VERTICAL (HAIRPIN SIDE)	M9 - DCG0480903DXXGAB	
111	0121L01205 BLOWER DECK (M1, M2, M10, M12, M15, M21)	M10 - DCG0480903DXXXAA	
111	0121L01442 BLOWER DECK (M3, M4, M5, M6, M7, M8, M9, M11, M13, M14, M16, M17, M18, M19, M20, M22)	M11 - DCG0480903DXXXAB	
151	0121L00243 DECK SIDE CHANNEL	M12 - DCG0481151DXXXAA	
161	0121L00293 BACK ANGLE-HEAT EXCHANGER (QTY 2)	M13 - DCG0481151DXXXAB	
171	0121L00300 SUPPORT POST-DECK	M14 - DCG0481153DHDFAB	
181	B1370155 AUXILIARY LIMIT SWITCH 120°F (M1, M2, M3, M4, M5, M6, M7, M8, M9, M10, M11)	M15 - DCG0481153DHXBAA	
181	0130M00063 PRIMARY LIMIT - GOLD 140° (M17)	M16 - DCG0481153DHXMAB	
181	20162904 PRIMARY LIMIT-TEMPERATURE CONTROL (M12, M13, M14, M15, M16, M18, M19, M20, M21, M22)	M17 - DCG0481153DJKGB	
191	0121L00266 HEAT PANEL CHANNEL (QTY 2)	M18 - DCG0481153DJXMAB	
201	0121L00311 COND BLOCK-OFF	M19 - DCG0481153DJXXAB	
211	0121L00254 COND MOUNTING ANGLE	M20 - DCG0481153DVDXAB	
321	0163L00071 DRAIN PLUG	M21 - DCG0481153DXXXAA	
331	0154L00009 DRAIN PAN GASKET	M22 - DCG0481153DXXXAB	
NS	0160L00173 AIR FILTER 14 X 20 X 2 (QTY 4)		
NS	0121L01377 BLOWER DECK SUPPORT (M6, M14, M17, M20)		
NS	0121L00939 CONDENSER BLOCKOFF PLATE		
NS	0121L00238 DRAIN PAN SUPPORT		
NS	0121L00321 SMOKE DETECTOR COVER		

Control Box and Blower Assembly

IMAGE 1

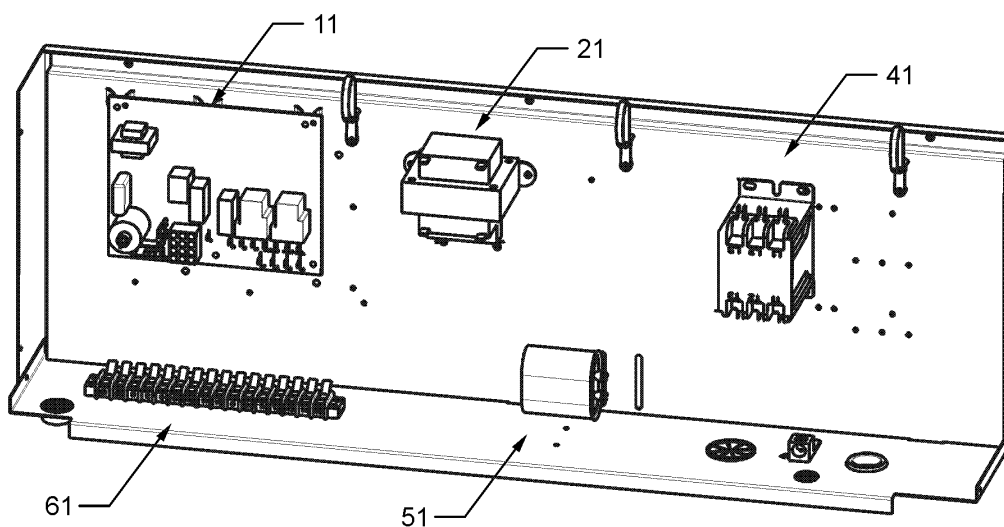
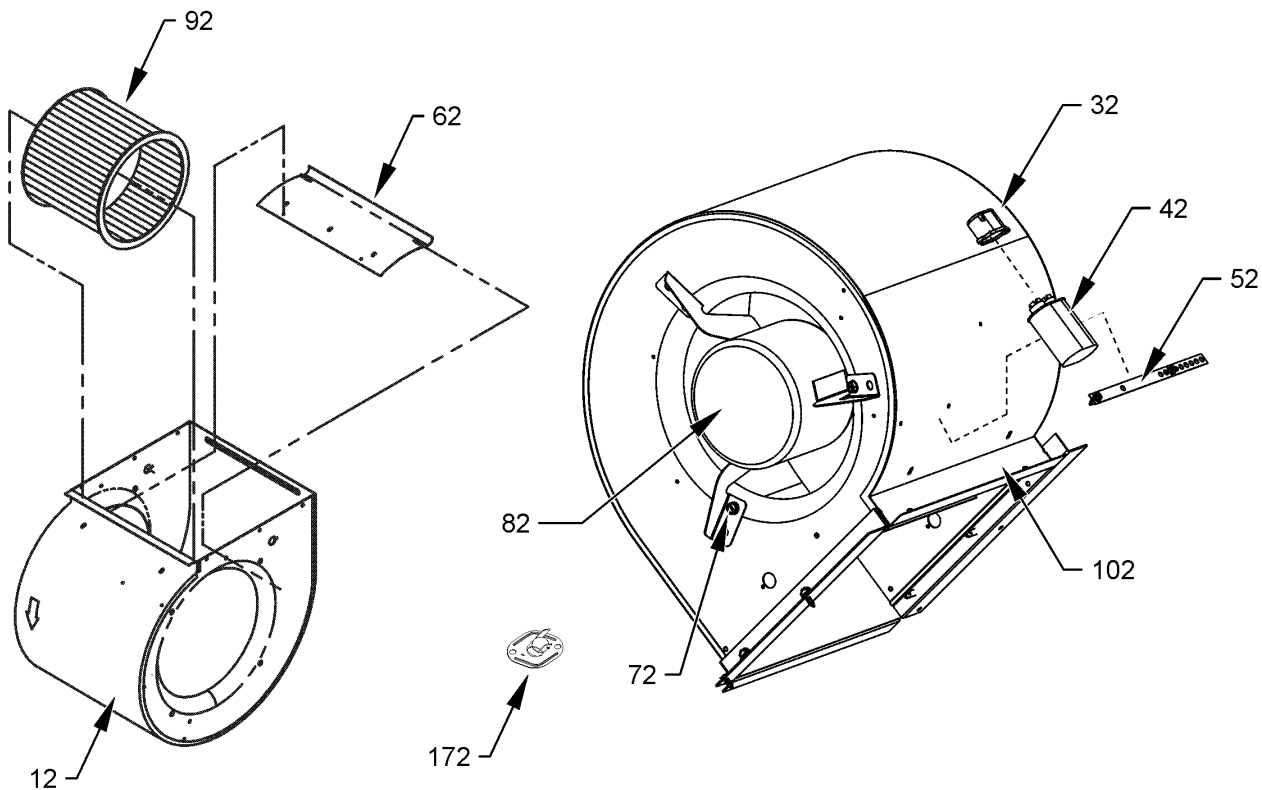


IMAGE 2



Control Box and Blower Assembly

Ref. Part

No: No: Description:

Image 1:

11	PCBAG123	IGNITION BOARD, DSI INTEGRATED
21	0130M00138	TRANSFORMER 208/230, 24V
41	CONT3P025024V	CONTACTOR 25 AMP, 3P, 24V (M4, M5, M6, M7, M8, M9, M10, M11, M14, M15, M16, M17, M18, M19, M20, M21, M22)
41	CONT1P030024V	CONTACTOR 30 AMP, 1P, 24V (M1, M2, M3, M12, M13)
51	CAP050000370LA	CAPACITOR 5/370V (M4, M5, M6, M7, M8, M9, M10, M11, M14, M15, M16, M17, M18, M19, M20, M21, M22)
51	CAP050450440CT	CAPACITOR 5/45/440V/DUAL RD (M1, M2, M3, M12, M13)
61	0130M00038	TERMINAL BOARD
NS	0259L00083	12-PIN GAS HARNESS
NS	0259L00084	CONTROL HARNESS
NS	0259L00179	HARNESS, ECONOMIZER
NS	0259L00079	WIRE HARNESS, EVAP MOTOR
NS	0259L00090	WIRE HARNESS-SMOKE DETECTOR (M4, M9, M17)
NS	0259L00054	WIRING HARNESS
NS	0259L00069	WIRING HARNESS

Image 2:

12	11185817	BLOWER HOUSING
32	B821700	CAPACITOR BOOT
42	CAP150000370LA	CAPACITOR 15/370V
52	20520901	CAPACITOR STRAP
62	C6121806	BLOWER CUT-OFF
72	M0250558	TC SCREW (QTY 3)
82	0131M00127	BLOWER MOTOR
92	D6723303	BLOWER WHEEL
102	0121L00308	BLOWER MOUNTING ANGLE
172	20269903	AUXILIARY LIMIT, AUTO RESET (M1, M2, M3, M4, M5, M6, M7, M8, M9, M10, M11, M12, M13, M14, M15, M16, M18, M19, M20, M21, M22)
172	0130F00037	PRIMARY LIMIT - GRAY 150° (M17)

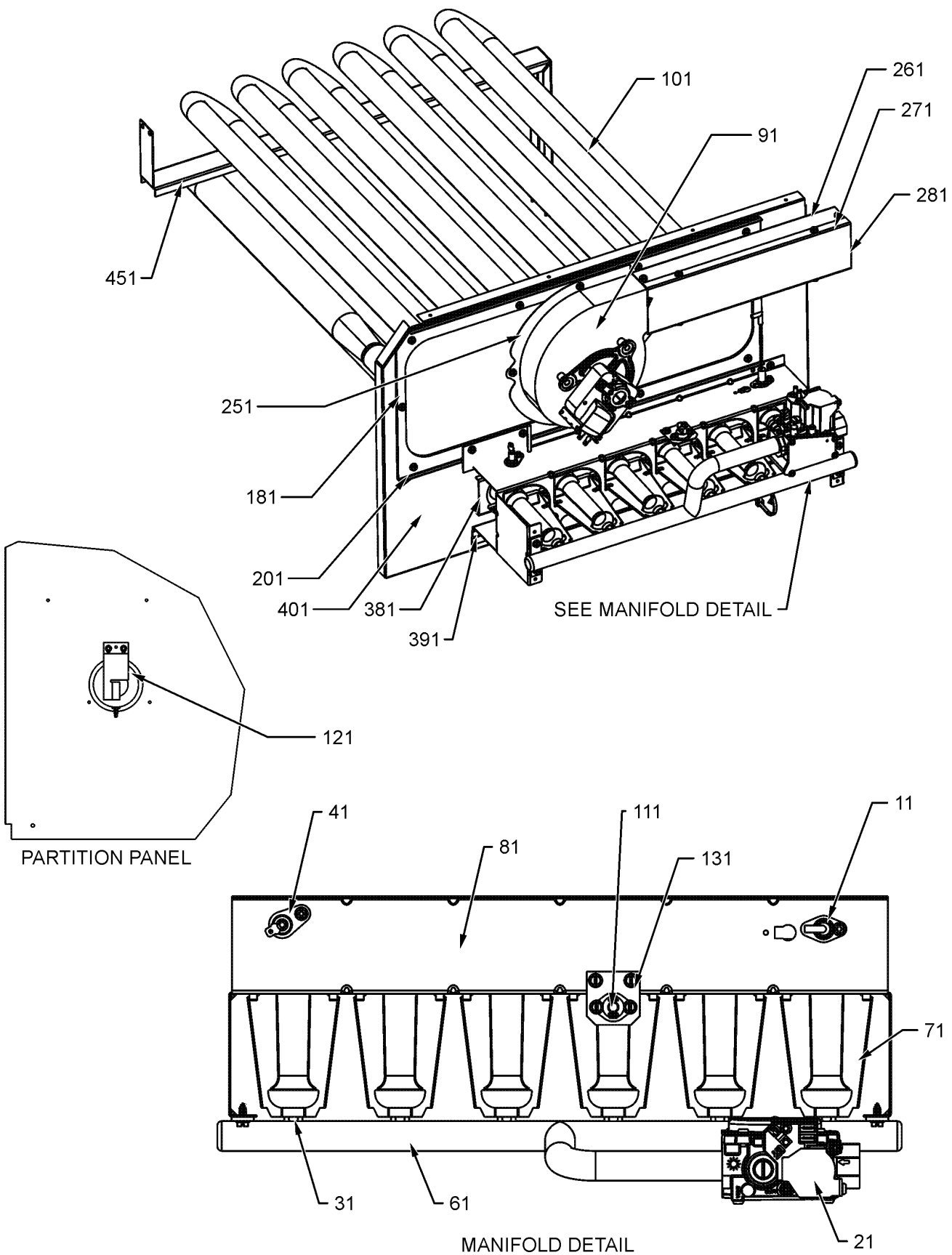
Ref. Part

No: No: Description:

Expanded Model Nomenclature

M1 - DCG0480901DAXCAA
M2 - DCG0480901DXXXAA
M3 - DCG0480901DXXXAB
M4 - DCG0480903DAXDAB
M5 - DCG0480903DAXXAB
M6 - DCG0480903DXDXAB
M7 - DCG0480903DXXAAB
M8 - DCG0480903DXXBAB
M9 - DCG0480903DXXGAB
M10 - DCG0480903DXXXAA
M11 - DCG0480903DXXXAB
M12 - DCG0481151DXXXAA
M13 - DCG0481151DXXXAB
M14 - DCG0481153DHDFAB
M15 - DCG0481153DHXBAA
M16 - DCG0481153DHXMAB
M17 - DCG0481153DJKGAB
M18 - DCG0481153DJXMAB
M19 - DCG0481153DJXXAB
M20 - DCG0481153DVDXAB
M21 - DCG0481153DXXXAA
M22 - DCG0481153DXXXAB

Heat Exchanger Assembly



Heat Exchanger Assembly

**Ref. Part
No: No:**

Description:

**Ref. Part
No: No:**

Description:

Image 1:

11	20261709	IGNITOR
21	0151F00000P	GAS VALVE - WHITE-RODGERS 2-STAGE
31	0163F00018	ORIFICE (QTY 4)
41	0130F00010	FLAME SENSOR
61	0163L00026	MANIFOLD - 4 BRNR (M1, M2, M3, M4, M5, M6, M7, M8, M9, M10, M11)
61	0163L00029	MANIFOLD - 5 BRNR (M12, M13, M14, M15, M16, M17, M18, M19, M20, M21, M22)
71	10735102	BECKETT BURNER (QTY 4)
81	20190412	BURNER BRACKET 4B (M1, M2, M3, M4, M5, M6, M7, M8, M9, M10, M11)
81	20190413	BURNER BRACKET 5B (M12, M13, M14, M15, M16, M17, M18, M19, M20, M21, M22)
91	0131M00121	ID COMBUSTION BLOWER
101	0270L00092	PART/TUBE ASSY 4B (M1, M2, M3, M4, M5, M6, M7, M8, M9, M10, M11)
101	0270L00110	PART/TUBE ASSY 5B (M12, M13, M14, M15, M16, M18, M19, M20, M21, M22)
101	0270L00111	PART/TUBE ASSY 5B (M17)
111	10123532	MANUAL RESET LIMIT 350°F
121	11112501	PRESSURE SWITCH
131	0121L00053	FLAME ROLLOUT BRACKET
181	0154L00018	ID BLOWER PLATE GASKET 4 BRNR (M1, M2, M3, M4, M5, M6, M7, M8, M9, M10, M11)
181	0154L00017	ID BLOWER PLATE GASKET 6 BRNR (M12, M13, M14, M15, M16, M17, M18, M19, M20, M21, M22)
201	0121L00284	ID BLOWER PLATE 4 BRNR (M1, M2, M3, M4, M5, M6, M7, M8, M9, M10, M11)
201	0121L00318	ID BLOWER PLATE 6 BRNR (M12, M13, M14, M15, M16, M18, M19, M20, M21, M22)
251	0154L00020	ID BLOWER GASKET
261	0121L00277	FLUE CHANNEL
271	0121L00278	FLUE SIDE COVER
281	0163L00072	SCREEEN-FLUE
381	11072203	ORIFICE SHIELD (M1, M2, M3, M4, M5, M6, M7, M8, M9, M10, M11)
381	11072204	ORIFICE SHIELD (M17)
391	0121L00267	BURNER SLIDE BRACKET
401	0121L00268	RETAINER-BURNER ASSY (M12, M13, M14, M15, M16, M17, M18, M19, M20, M21, M22)
451	0121L00325	BRACKET-HEAT EXCHANGER
NS	A3468601	PRESSURE SWITCH HOSE

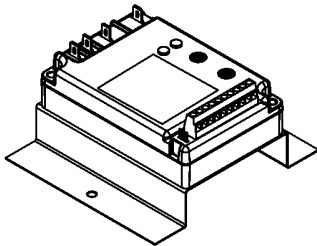
Expanded Model Nomenclature

M1 - DCG0480901DAXCAA
M2 - DCG0480901DXXXAA
M3 - DCG0480901DXXXAB
M4 - DCG0480903DAXDAB
M5 - DCG0480903DAXXAB
M6 - DCG0480903DXDXAB
M7 - DCG0480903DXXAAB
M8 - DCG0480903DXXBAB
M9 - DCG0480903DXXGAB
M10 - DCG0480903DXXXAA
M11 - DCG0480903DXXXAB
M12 - DCG0481151DXXXAA
M13 - DCG0481151DXXXAB
M14 - DCG0481153DHDFAB
M15 - DCG0481153DHXBAA
M16 - DCG0481153DHXMAB
M17 - DCG0481153DJKGB
M18 - DCG0481153DJXMAB
M19 - DCG0481153DJXXAB
M20 - DCG0481153DVDXAB
M21 - DCG0481153DXXXAA
M22 - DCG0481153DXXXAB

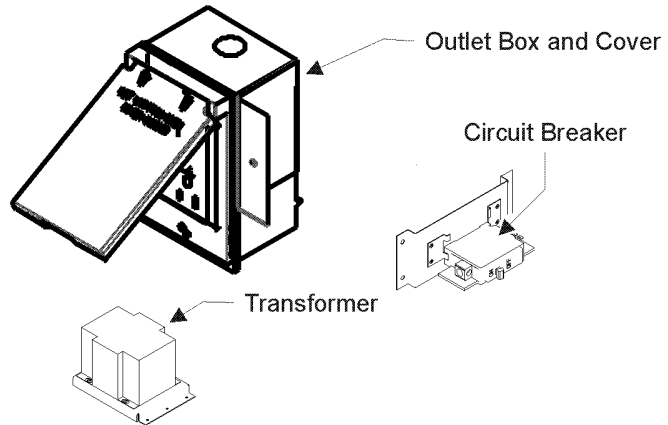
ACCESSORY PARTS LIST

NOTE: NOT ALL OPTIONS AVAILABLE FOR ALL PRODUCTS

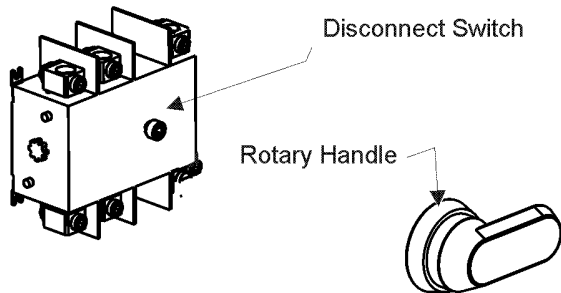
LOW AMBIENT KITS



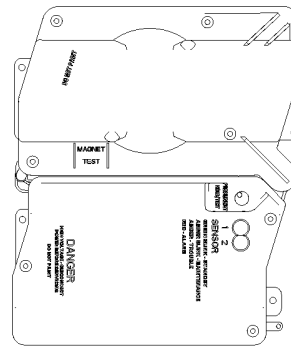
GFCI CONVENIENCE OUTLET



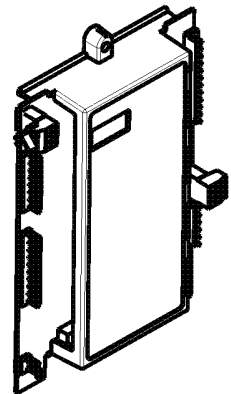
DISCONNECT MODULE (NON-FUSED)



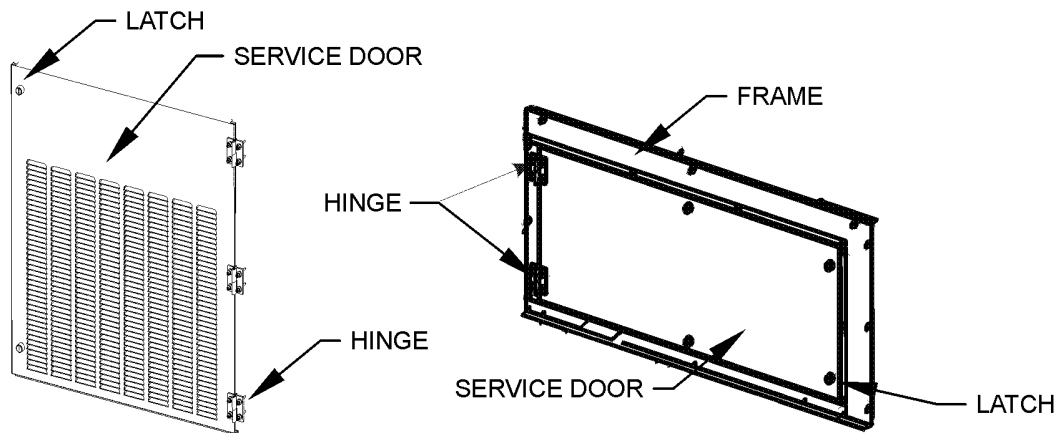
SMOKE DETECTORS



DDC CONTROL



HINGED DOOR ASSEMBLIES



Accessory Parts

Ref. Part No:	Description:	Ref. Part No:	Description:
Image 1:		Expanded Model Nomenclature	
NS 0121L01373NG	BLOWER DOOR FRAME (M6, M14, M17, M20)	M1 - DCG0480901DAXCAA	
NS 0121L01371NG	BLOWER SERVICE DOOR, BACK (M6, M14, M17, M20)	M2 - DCG0480901DXXXAA	
NS 0121L01370NG	BLOWER SERVICE DOOR, FRONT (M6, M14, M17, M20)	M3 - DCG0480901DXXXAB	
NS 0121L00316	BRACKET-CONV OUTLET MOUNT (M7, M8, M9, M14, M15, M16, M17, M18)	M4 - DCG0480903DAXDAB	
NS 0121L00332	BRACKET-SMOKE DETECTOR (M4, M9, M17)	M5 - DCG0480903DAXXAB	
NS 0130M00065	CIRCUIT BREAKER, CONVENIENCE OUTLET (M8, M15, M16, M18)	M6 - DCG0480903DXDXAB	
NS 0121L00837NG	DISCONNECT COVER (M14, M15, M16, M17, M18, M19)	M7 - DCG0480903DXXAAB	
NS 0130L00012	GANG BOX-GFCI OUTLET (M7, M8, M9, M14, M15, M16, M17, M18)	M8 - DCG0480903DXXBAB	
NS 0130L00039	HANDLE, ROTARY (M14, M15, M16, M17, M18, M19)	M9 - DCG0480903DXXGAB	
NS 0163M00307	HINGE, LEFT HAND (M6, M14, M17, M20)	M10 - DCG0480903DXXXAA	
NS 0163M00308	HINGE, RIGHT HAND (M6, M14, M17, M20)	M11 - DCG0480903DXXXAB	
NS 0163M00322	LATCH (M6, M14, M17, M20)	M12 - DCG0481151DXXXAA	
NS 0121L01327NG	LOUVERED CP SERVICE DOOR (M6, M14, M17, M20)	M13 - DCG0481151DXXXAB	
NS LAKT01	LOW AMBIENT KIT (M1, M14, M16, M18)	M14 - DCG0481153DHDFAB	
NS 0161G00012	POWER OUTLET BOX (M7, M8, M9, M14, M15, M16, M17, M18)	M15 - DCG0481153DHXBAA	
NS 0130L00103	RECEPTACLE-GFCI OUTLET (M7, M8, M9, M14, M15, M16, M17, M18)	M16 - DCG0481153DHXMAB	
NS 0130L00042	SHAFT, CUT (M14, M15, M16, M17, M18, M19)	M17 - DCG0481153DJKGAB	
NS 0130L00049	SHAFT, DISCONNECT (M14, M15, M16, M17, M18, M19)	M18 - DCG0481153DJXMAB	
NS D4120	SMOKE DETECTOR, PHOTO 4WIRE (M4, M9, M17)	M19 - DCG0481153DJXXAB	
NS 0130L00046	SWITCH-DISCONNECT 60A (M14, M15, M16, M17, M18, M19)	M20 - DCG0481153DVDXAB	
NS 0130M00061	TRANSFORMER, CONVENIENCE OUTLET (M8, M15, M16, M18)	M21 - DCG0481153DXXXAA	
		M22 - DCG0481153DXXXAB	