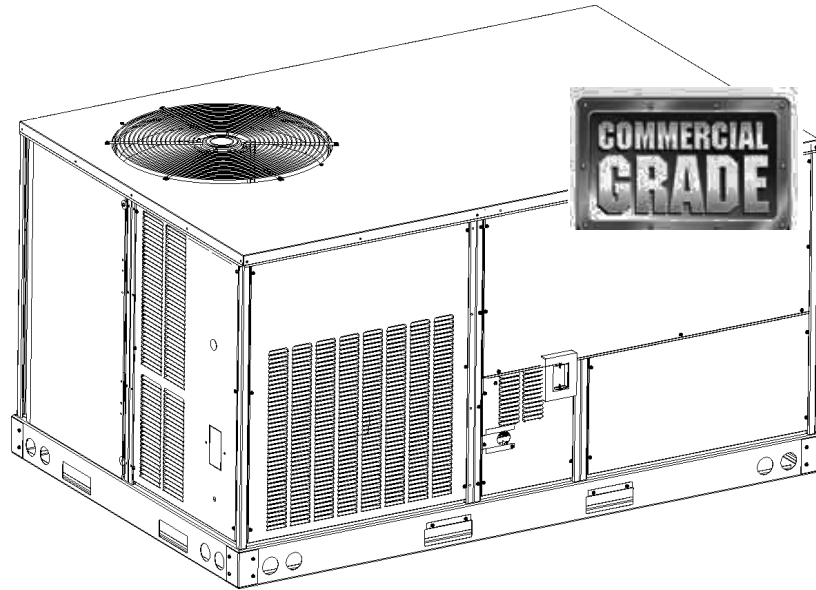


Commercial 4 Ton Package Gas Units

DCG0480903BAXGAA
DCG0480903BHXAAA
DCG0480903BHXBAA
DCG0480903BHXUAA
DCG0480903BJXAAA
DCG0480903BJXFAA
DCG0480903BXXXAA
DCG0480903BXXXAB
DCG0480904BAXMAB
DCG0480904BJXAAB
DCG0480904BJXAAC
DCG0480904BXXMAB
DCG0480904BXXXAA
DCG0480904BXXXAB
DCG0480904BXXXAC
DCG0481153BHXAAA
DCG0481153BJSAAA
DCG0481153BJXAAA
DCG0481153BXSXAA
DCG0481153BXSXAB
DCG0481153BXXXAA
DCG0481153BXXXAB
DCG0481154BJXGAB
DCG0481154BXXXAA
DCG0481154BXXXAB
DCG0481154BXXXAC
DCG0481157BASXAA
DCG0481157BAXXAA
DCG0481157BXXXAA
DCG0481157BXXXAB



This manual is to be used by qualified technicians only.

This manual replaces RP-D1003C.

Important Information

Index

Functional Parts List	3
Illustration and Parts	4 - 17

Views shown are for parts illustrations only, not servicing procedures

1-30-14: Updated limit locations

Rev. B: Added models: DCG0480903BAXG, DCG0480903BHXA, DCG0480903BHXB, DCG0480903BHXU, DCG0480903BJXF, DCG0480904BAXM, DCG0480904BJXA, DCG0480904BXXM, DCG0481153BHXA, DCG0481153BJSA, DCG0481153BJXA, DCG0481154BJXG, DCG0481157BASX, and DCG0481157BAXX

Rev. C: Added model DCG0480903BJXAAA.

Rev. D: Added models DCG0480904BJXAAC, DCG0481153BXSXAB, DCG0481154BXXXAC, DCG0481154BXXXAC, DCG0481153BXSXAB, and DCG0481157BXXXAB

Text Codes:

AR - As Required

NA - Not Available

NS - Not Shown

00000000 - See Note

QTY - Quantity Example (QTY 3) (If Quantity not shown, Quantity = 1)

M - Model Example (M1) (If M Code not shown, then part is used on all Models)

Expanded Model Nomenclature:

Example M1 - Model#1 M2 - Model#2 M3 - Model#3

Daikin Company, L.P. is not responsible for personal injury or property damage resulting from improper service. Review all service information before beginning repairs.

Warranty service must be performed by an authorized technician, using authorized factory parts. If service is required after the warranty expires, Daikin Company, L.P. also recommends contacting an authorized technician and using authorized factory parts.

Daikin Company, L.P. reserves the right to discontinue, or change at any time, specifications or designs without notice or without incurring obligations.

For assistance within the U.S.A. contact:

Consumer Affairs Department
Daikin North America, LLC
7401 Security Way
Houston, Texas 77040
855-770-5678-Telephone
713-863-2382-Facsimile

For assistance outside the U.S.A. contact:

International Division
Daikin North America, LLC
7401 Security Way
Houston, Texas 77040
713-861-2500-Telephone
713-863-2382-Facsimile

Functional Parts

Part

No: Description:

Part No:	Description:	Part No:	Description:
0130M00025	24V RELAY	0130M00147	TRANSFORMER 575V TO 230V, 150VA (M27, M28, M29, M30)
B1368056	BELT DRIVE BLOWER WHEEL	0130M00148	TRANSFORMER 575V to 24V, 75VA (M27, M28, M29, M30)
0131L00003	BELT DRIVE MOTOR 1 HP (M1, M2, M3, M4, M5, M6, M7, M8, M9, M10, M11, M12, M13, M14, M15, M16, M17, M18, M19, M20, M21, M22, M23, M24, M25, M26)	Expanded Model Nomenclature	
0131L00004	BELT DRIVE MOTOR 1.5 HP 575V (M27, M28, M29, M30)	M1 - DCG0480903BAXGAA	
CAP030000440LA	CAPACITOR 3/440V (M30)	M2 - DCG0480903BHXAAA	
CAP050000370LA	CAPACITOR 5/370V (M1, M2, M3, M4, M5, M6, M7, M8, M13, M16, M17, M18, M19, M20, M21, M22, M24, M27, M28, M29)	M3 - DCG0480903BHXBAA	
CAP075000370LA	CAPACITOR 7.5/370V (M9, M10, M11, M12, M14, M15, M23, M25, M26)	M4 - DCG0480903BHXUAA	
ZP39K5ETF5130	COMPRESSOR 39000, 200/230/60/3 (M1, M2, M3, M4, M5, M6, M7, M8, M16, M17, M18, M19, M20, M21, M22)	M5 - DCG0480903BJXAAA	
ZP39K5ETFD130	COMPRESSOR 39000, 460/60/3 (M9, M10, M11, M12, M13, M14, M15, M23, M24, M25, M26)	M6 - DCG0480903BJXFAA	
ZP39K5ETFE130	COMPRESSOR 39000, 575/60/3 (M27, M28, M29, M30)	M7 - DCG0480903BXXXAA	
0131M00429	COND MOTOR 1/4 HP, 1 SP,6 PL (M1, M2, M3, M4, M5, M6, M7, M8, M16, M17, M18, M19, M20, M21, M22)	M8 - DCG0480903BXXXAB	
B13400269	COND MOTOR 380/460 50/60 CYCLE (M13, M24)	M9 - DCG0480904BAXMAB	
0131M00432	COND MOTOR 380/460/50/60 CYCLE (M9, M10, M11, M12, M14, M15, M23, M25, M26)	M10 - DCG0480904BJXAAB	
0131M00431	COND MOTOR 575V (M30)	M11 - DCG0480904BJXAAC	
0131M00098	COND MOTOR 575V (M27, M28, M29)	M12 - DCG0480904BXXMAB	
CONT3P025024V	CONTACTOR 25 AMP, 3P, 24V (M9, M10, M11, M12, M13, M14, M15, M23, M24, M25, M26, M27, M28, M29, M30)	M13 - DCG0480904BXXXAA	
CONT3P030024V	CONTACTOR 30 AMP, 3P, 24V (M1, M2, M3, M4, M5, M6, M7, M8, M16, M17, M18, M19, M20, M21, M22)	M14 - DCG0480904BXXXAB	
0130M00209	CUT-OUT SWITCH, HIGH PRESSURE	M15 - DCG0480904BXXXAC	
0130L00007	CUT-OUT SWITCH, LOW PRESSURE	M16 - DCG0481153BHXAAA	
0164L00010	FAN BELT, NOTCHED	M17 - DCG0481153BJSAAA	
0150G00001	FAN BLADE	M18 - DCG0481153BJXAAA	
0130F00010	FLAME SENSOR	M19 - DCG0481153BXSXAA	
0151F00000P	GAS VALVE - WHITE-RODGERS 2-STAGE	M20 - DCG0481153BXSXAB	
PCBAG123	IGNITION BOARD, DSI INTEGRATED	M21 - DCG0481153BXXXAA	
20261709	IGNITOR	M22 - DCG0481153BXXXAB	
10123532	MANUAL RESET LIMIT 350°F	M23 - DCG0481154BJXGAB	
11112501	PRESSURE SWITCH	M24 - DCG0481154BXXXAA	
0130M00063	PRIMARY LIMIT - GOLD 140°	M25 - DCG0481154BXXXAB	
0130F00037	PRIMARY LIMIT - GRAY 150° (M16, M17, M18, M19, M20, M21, M22, M23, M24, M25, M26, M27, M28, M29, M30)	M26 - DCG0481154BXXXAC	
20162905	PRIMARY LIMIT-YELLOW (M1, M2, M3, M4, M5, M6, M7, M8, M9, M10, M11, M12, M13, M14, M15)	M27 - DCG0481157BASXAA	
0130M00038	TERMINAL BOARD	M28 - DCG0481157BAXXAA	
0130M00138	TRANSFORMER 208/230, 24V (M1, M2, M3, M4, M5, M6, M7, M8, M16, M17, M18, M19, M20, M21, M22)	M29 - DCG0481157BXXXAA	
0130M00146	TRANSFORMER 480V TO 230V, 150VA (M9, M10, M11, M12, M13, M14, M15, M23, M24, M25, M26)	M30 - DCG0481157BXXXAB	
0130M00145	TRANSFORMER 480V to 24V, 75VA (M9, M10, M11, M12, M13, M14, M15, M23, M24, M25, M26)		

Top Panel/Tubing Assy

Image 1

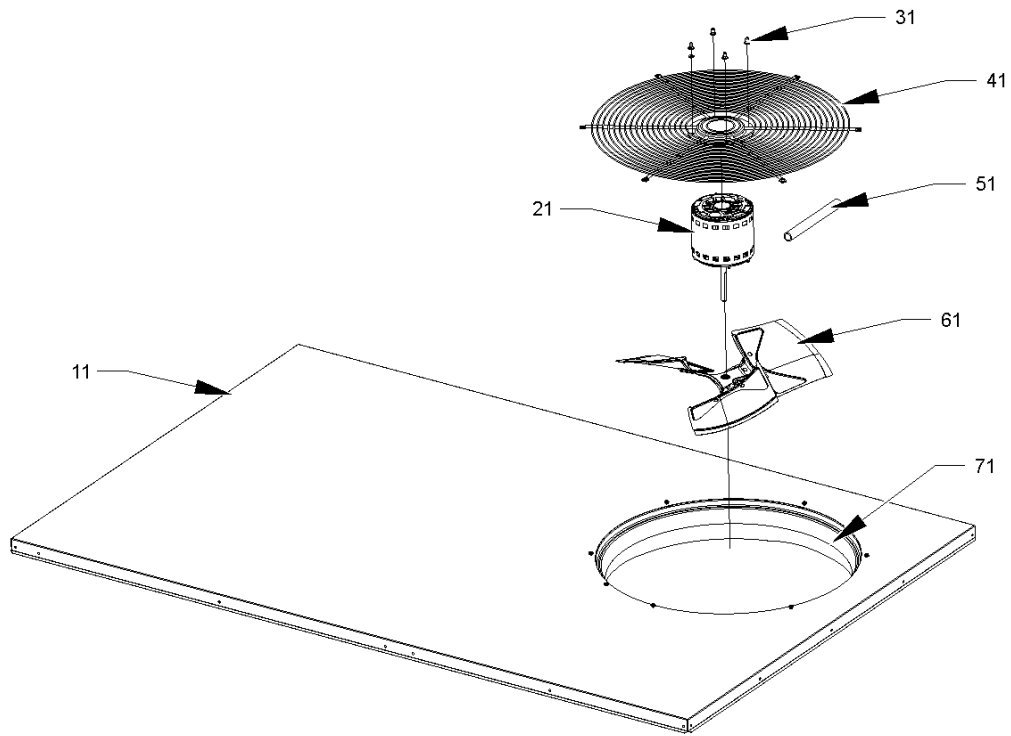
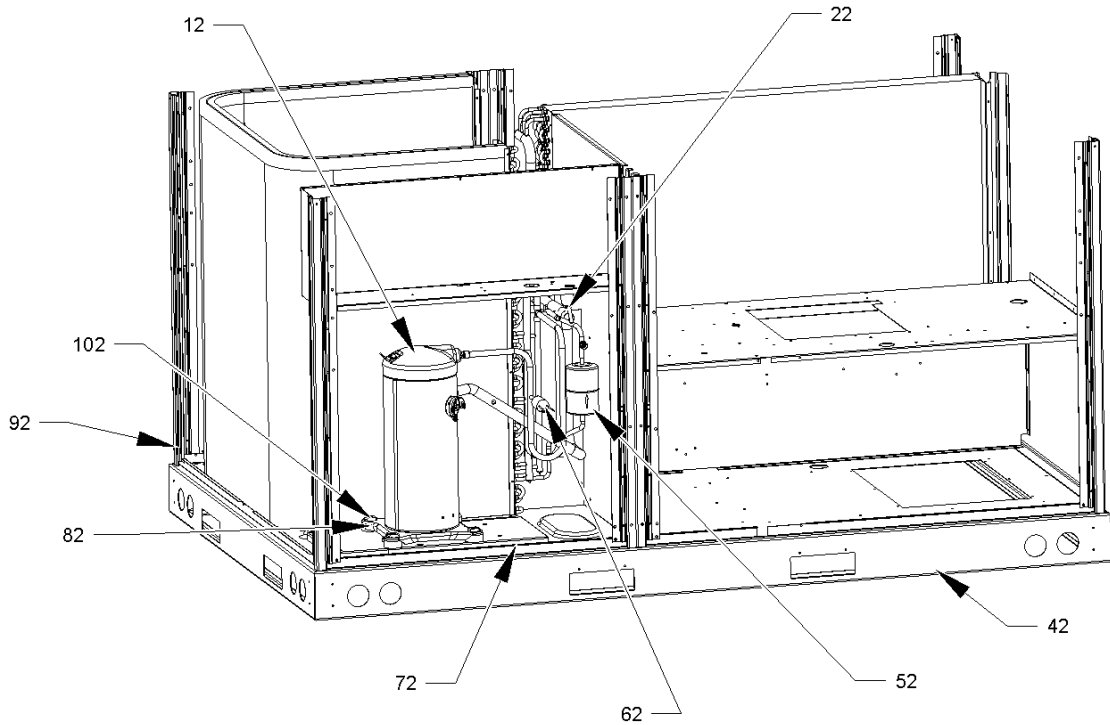


Image 2



Top Panel/Tubing Assy

**Ref. Part
No: No:**

Description:

**Ref. Part
No: No:**

Description:

Image 1:

11	0121L00235NG	TOP PANEL
21	0131M00429	COND MOTOR 1/4 HP, 1 SP,6 PL (M1, M2, M3, M4, M5, M6, M7, M8, M16, M17, M18, M19, M20, M21, M22)
21	B13400269	COND MOTOR 380/460 50/60 CYCLE (M13, M24)
21	0131M00432	COND MOTOR 380/460/50/60 CYCLE (M9, M10, M11, M12, M14, M15, M23, M25, M26)
21	0131M00098	COND MOTOR 575V (M27, M28, M29)
21	0131M00431	COND MOTOR 575V (M30)
31	0163M00006P	ACORN NUT 5/16 HEX BLACK (QTY 4)
41	0152G00003	FAN GRILLE
51	17788000083F	PVC CONDUIT 8.25"
61	0150G00001	FAN BLADE
71	0161L00000	VENTURI RING 22"

Image 2:

12	ZP39K5ETF5130	COMPRESSOR 39000, 200/230/60/3 (M1, M2, M3, M4, M5, M6, M7, M8, M16, M17, M18, M19, M20, M21, M22)
12	ZP39K5ETFD130	COMPRESSOR 39000, 460/60/3 (M9, M10, M11, M12, M13, M14, M15, M23, M24, M25, M26)
12	ZP39K5ETFE130	COMPRESSOR 39000, 575/60/3 (M27, M28, M29, M30)
22	0130L00007	CUT-OUT SWITCH, LOW PRESSURE
42	0121L00244RF	SIDE RAIL (QTY 2)
52	B1219225	SINGLE-FLOW FILTER DRIER, STEEL
62	0130M00209	CUT-OUT SWITCH, HIGH PRESSURE
72	0121L00310	COMPRESSOR MOUNTING PLATE
82	B1339533	COMPRESSOR GROMMET (QTY 4)
92	0121L00245	END RAIL (QTY 2)
102	M0221641	TF SHOULDER SCREW (QTY 4)
NS	0159L00028	COMPRESSOR SCROLL HARNESS

Expanded Model Nomenclature

M1 - DCG0480903BAXGAA
M2 - DCG0480903BHXAAA
M3 - DCG0480903BHXBAA
M4 - DCG0480903BHXUAA
M5 - DCG0480903BJXAAA
M6 - DCG0480903BJXFAA
M7 - DCG0480903BXXXAA
M8 - DCG0480903BXXXAB
M9 - DCG0480904BAXMAB
M10 - DCG0480904BJXAAB
M11 - DCG0480904BJXAAC
M12 - DCG0480904BXXMAB
M13 - DCG0480904BXXXAA
M14 - DCG0480904BXXXAB
M15 - DCG0480904BXXXAC
M16 - DCG0481153BHXAAA
M17 - DCG0481153BJSAAA
M18 - DCG0481153BJXAAA
M19 - DCG0481153BXSXAA
M20 - DCG0481153BXSXAB
M21 - DCG0481153BXXXAA
M22 - DCG0481153BXXXAB
M23 - DCG0481154BJXGAB
M24 - DCG0481154BXXXAA
M25 - DCG0481154BXXXAB
M26 - DCG0481154BXXXAC
M27 - DCG0481157BASXAA
M28 - DCG0481157BAXXAA
M29 - DCG0481157BXXXAA
M30 - DCG0481157BXXXAB

Cabinet Assy

Image 1

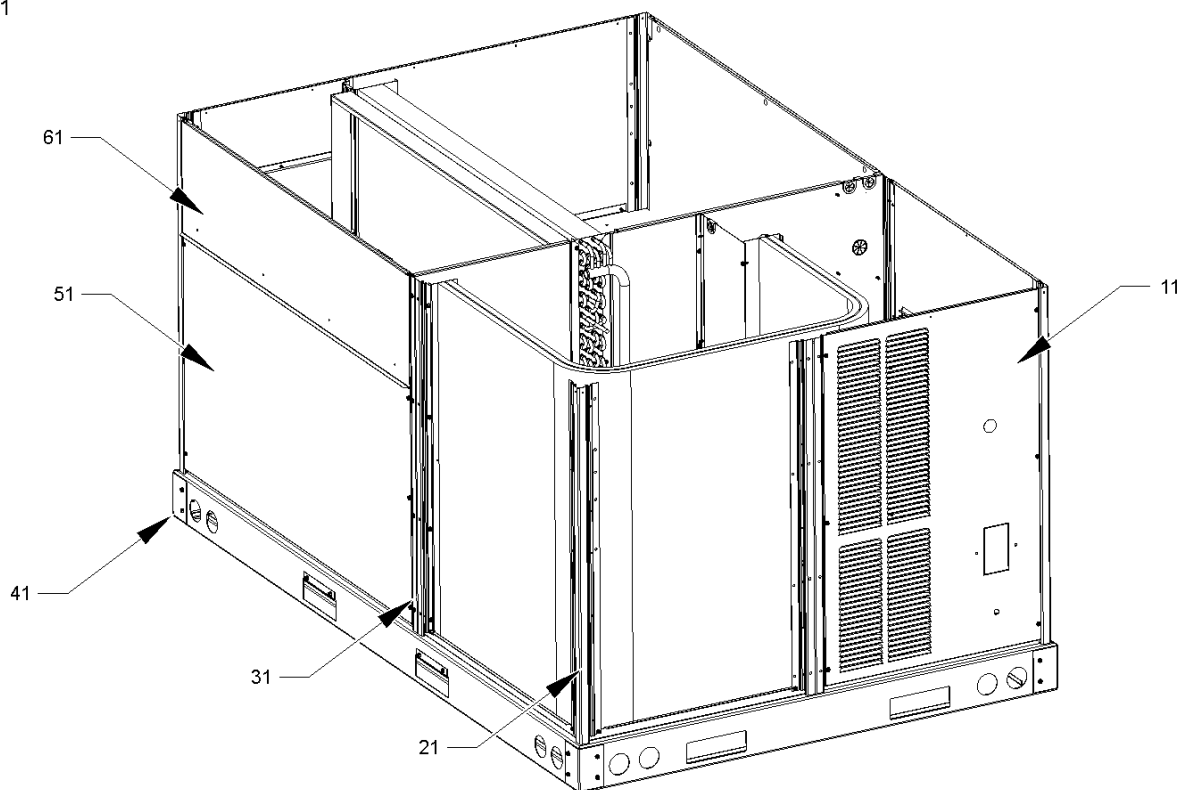
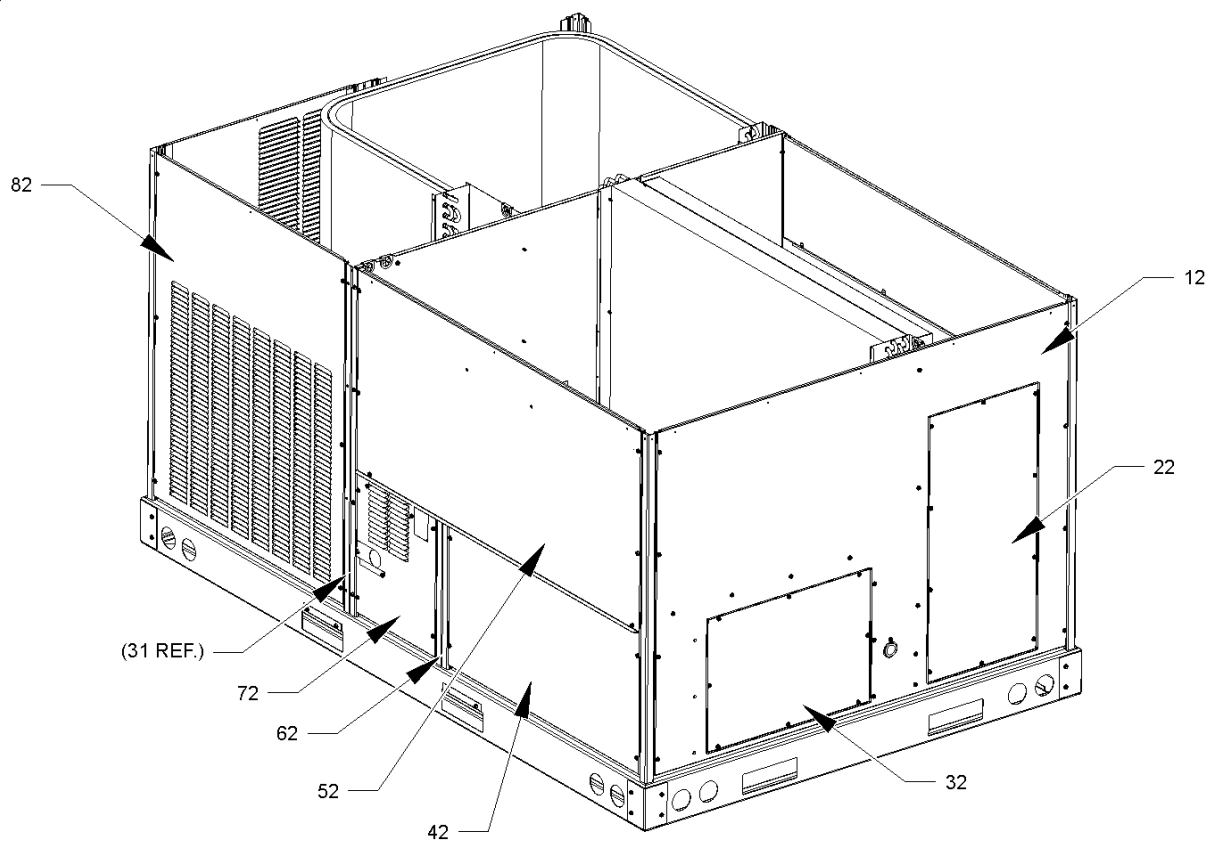


Image 2



Cabinet Assy

Ref. Part No: No:	Description:	Ref. Part No: No:	Description:
Image 1:		Expanded Model Nomenclature	
11	0121L00263NG LOUVERED COMPRESSOR PANEL	M1 - DCG0480903BAXGAA	
21	0121L00237RFNG CORNER POST (QTY 4)	M2 - DCG0480903BHXAAA	
31	0121L00233RFNG POST-SIDE SUPPORT (QTY 3)	M3 - DCG0480903BHXBAA	
41	0121G00301 RAIL CORNER BRACKET (QTY 4)	M4 - DCG0480903BHXUAA	
51	0121L00976NG ECONOMIZER DOOR	M5 - DCG0480903BJXAAA	
61	0270L00362NG FILTER DOOR	M6 - DCG0480903BJXFAA	
Image 2:		M7 - DCG0480903BXXXAA	
12	0121L00236NG DUCT PANEL	M8 - DCG0480903BXXXAB	
22	0121L00023NG RETURN DUCT COVER	M9 - DCG0480904BAXMAB	
32	0121L00024NG SUPPLY DUCT COVER	M10 - DCG0480904BJXAAB	
42	0121L00257NG HEAT EXCHANGER DOOR (M1, M2, M3, M4, M5, M6, M7, M9, M10, M12, M13, M14, M16, M17, M18, M19, M21, M23, M24, M25, M27, M28, M29)	M11 - DCG0480904BJXAAC	
42	0121L01108NG HEAT EXCHANGER DOOR (M8, M11, M15, M20, M22, M26, M30)	M12 - DCG0480904BXXMAB	
52	0121L00259NG BLOWER DOOR (M1, M2, M3, M4, M5, M6, M7, M9, M10, M12, M13, M14, M16, M17, M18, M19, M21, M23, M24, M25, M27, M28, M29)	M13 - DCG0480904BXXXAA	
52	0121L01157NG BLOWER DOOR (M8, M11, M15, M20, M22, M26, M30)	M14 - DCG0480904BXXXAB	
62	0121L01110RFNG BURNER POST (M8, M11, M15, M20, M22, M26, M30)	M15 - DCG0480904BXXXAC	
62	0121L00255RFNG POST-BURNER DOOR (M1, M2, M3, M4, M5, M6, M7, M9, M10, M12, M13, M14, M16, M17, M18, M19, M21, M23, M24, M25, M27, M28, M29)	M16 - DCG0481153BHXAAA	
72	0121L00706NG BURNER DOOR (M1, M2, M3, M4, M5, M6, M7, M9, M10, M12, M13, M14, M16, M17, M18, M19, M21, M23, M24, M25, M27, M28, M29)	M17 - DCG0481153BJSAAA	
72	0121L01109NG BURNER DOOR (M8, M11, M15, M20, M22, M26, M30)	M18 - DCG0481153BJXAAA	
82	0121L00262NG LOUVERED CONTROL PANEL (M1, M2, M3, M4, M5, M6, M7, M9, M10, M12, M13, M14, M16, M17, M18, M19, M21, M23, M24, M25, M27, M28, M29)	M19 - DCG0481153BXSAAA	
82	0121L01121NG LOUVERED CONTROL PANEL (M8, M11, M15, M20, M22, M26, M30)	M20 - DCG0481153BXSAB	
NS	0121L00295NG FLUE COLLAR (M1, M2, M3, M4, M5, M6, M7, M9, M10, M12, M13, M14, M16, M17, M18, M19, M21, M23, M24, M25, M27, M28, M29)	M21 - DCG0481153BXXXAA	
NS	0121L01175NG FLUE COLLAR (M8, M11, M15, M20, M22, M26, M30)	M22 - DCG0481153BXXXAB	
NS	0164L00009 GASKET-RUBBER, CPOST (QTY 3)	M23 - DCG0481154BJXGAB	
NS	0164L00011 GASKET-RUBBER, SIDE POST (QTY 4)	M24 - DCG0481154BXXXAA	
NS	0121L00689 RAIN SHIELD-DOOR COVER	M25 - DCG0481154BXXXAB	
NS	0121L00321 SMOKE DETECTOR COVER	M26 - DCG0481154BXXXAC	
		M27 - DCG0481157BASXAA	
		M28 - DCG0481157BAXXAA	
		M29 - DCG0481157BXXXAA	
		M30 - DCG0481157BXXXAB	

Partition Assy

Image 1

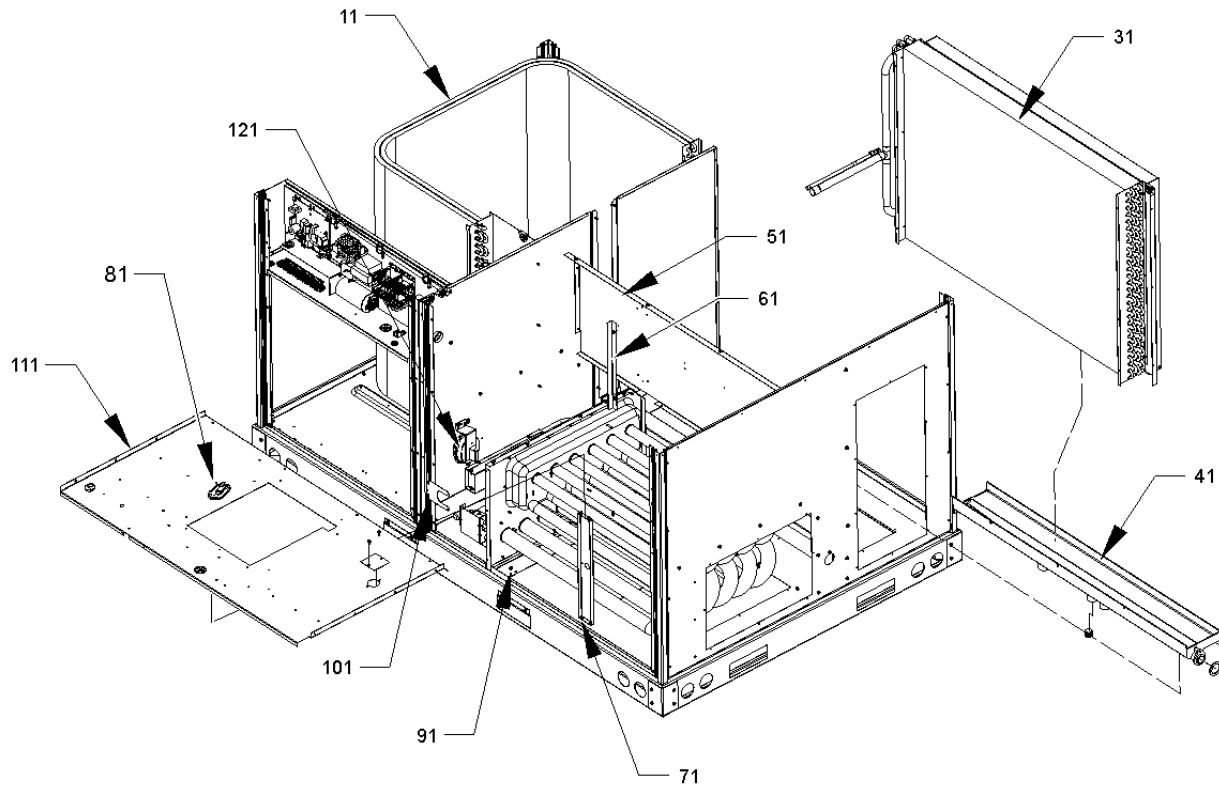
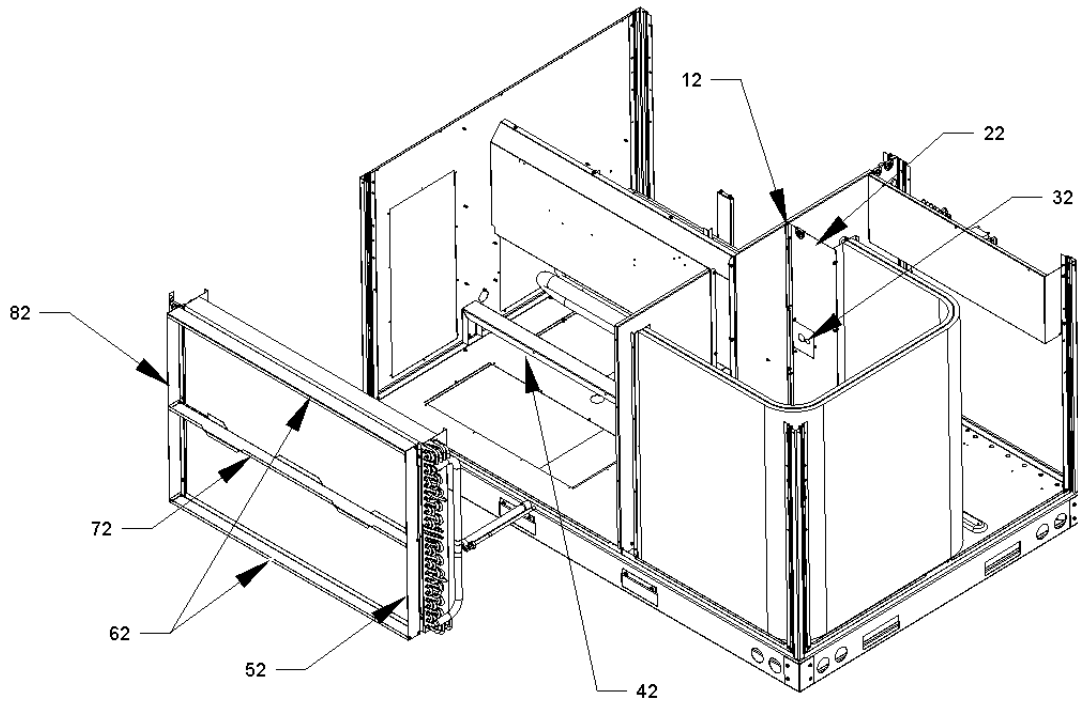


Image 2



Partition Assy

Ref. Part		Ref. Part	
No: No:	Description:	No: No:	Description:

Image 1:

11	0201L00036	TUBING ASSY, COND COIL
31	0202L00029	TUBING ASSY, EVAP COIL
41	0161L00005	DRAIN PAN
51	0121L00243	DECK SIDE CHANNEL
61	0121L00293	BACK ANGLE-HEAT EXCHANGER (QTY 2)
71	0121L00300	SUPPORT POST-DECK
81	0130M00063	PRIMARY LIMIT - GOLD 140°
91	0121L00266	HEAT PANEL CHANNEL (QTY 2)
101	0121L00299NG	GAS VALVE BRACKET (M1, M2, M3, M4, M5, M6, M7, M9, M10, M12, M13, M14, M16, M17, M18, M19, M21, M23, M24, M25, M27, M28, M29)
101	0121L01171NG	GAS VALVE BRACKET (M8, M11, M15, M20, M22, M26, M30)
111	0121L01107	BLOWER DECK (M8, M11, M15, M20, M22, M26, M30)
111	0121L01205	BLOWER DECK (M1, M2, M3, M4, M5, M6, M7, M9, M10, M12, M13, M14, M16, M17, M18, M19, M21, M23, M24, M25, M27, M28, M29)
121	11112501	PRESSURE SWITCH

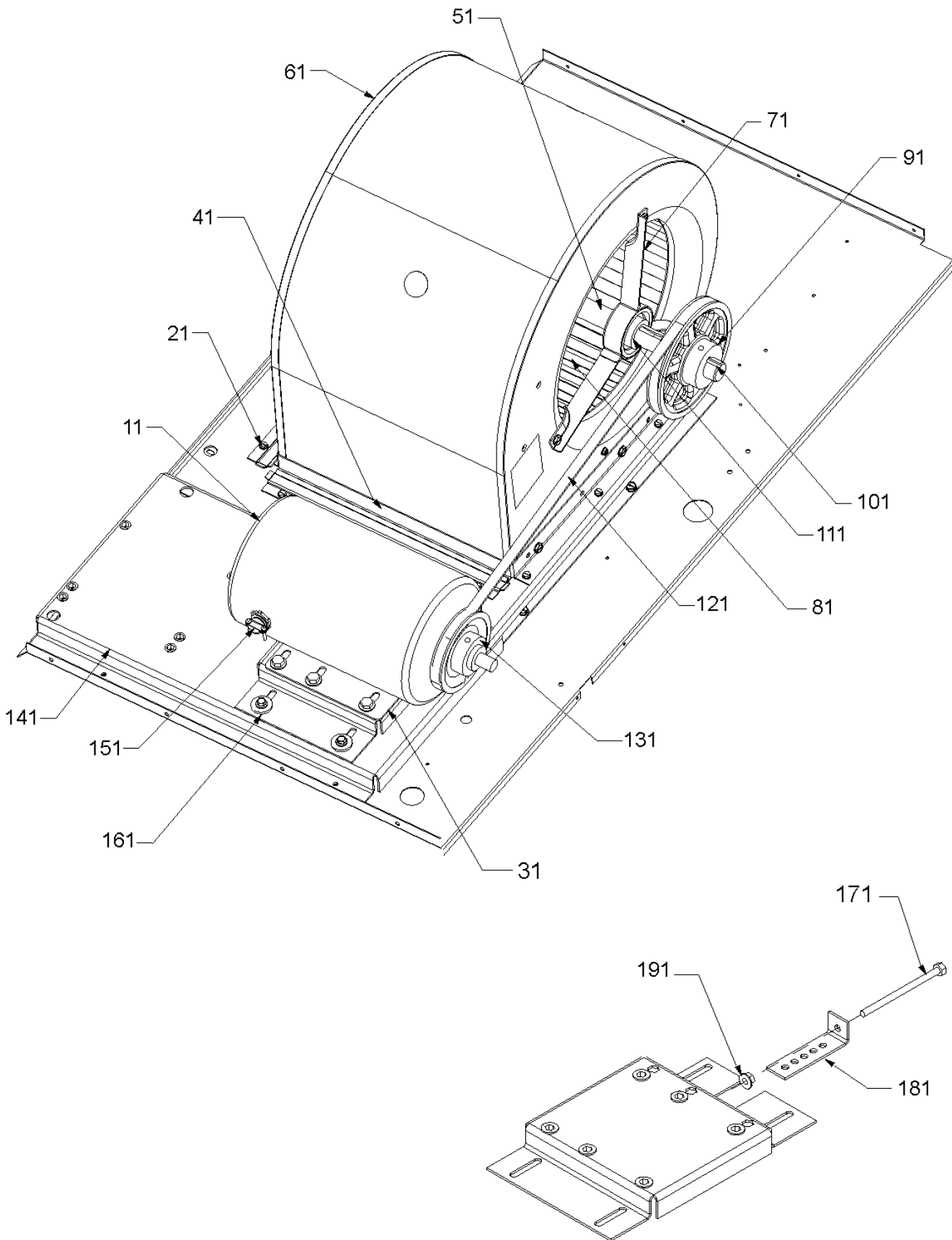
Image 2:

12	0121L00254	COND MOUNTING ANGLE
22	0121L00311	COND BLOCK-OFF
32	0121L00939	CONDENSER BLOCKOFF PLATE
42	0121L00238	DRAIN PAN SUPPORT
52	0121L00287	FILTER ANGLE-VERTICAL (RETURN SIDE)
62	0121L00932	FILTER ANGLE-HORIZONTAL (QTY 2)
72	0121L00298	FILTER ANGLE-HORIZONTAL (CENTER)
82	0121L00303	FILTER ANGLE-VERTICAL (HAIRPIN SIDE)
NS	0160L00008	FILTER 14 X 20 X 2 (QTY 4)

Expanded Model Nomenclature

M1 - DCG0480903BAXGAA
M2 - DCG0480903BHXAAA
M3 - DCG0480903BHXBAA
M4 - DCG0480903BHXUAA
M5 - DCG0480903BJXAAA
M6 - DCG0480903BJXFAA
M7 - DCG0480903BXXXAA
M8 - DCG0480903BXXXAB
M9 - DCG0480904BAXMAB
M10 - DCG0480904BJXAAB
M11 - DCG0480904BJXAAC
M12 - DCG0480904BXXMAB
M13 - DCG0480904BXXXAA
M14 - DCG0480904BXXXAB
M15 - DCG0480904BXXXAC
M16 - DCG0481153BHXAAA
M17 - DCG0481153BJSAAA
M18 - DCG0481153BJXAAA
M19 - DCG0481153BXSXAA
M20 - DCG0481153BXSXAB
M21 - DCG0481153BXXXAA
M22 - DCG0481153BXXXAB
M23 - DCG0481154BJXGAB
M24 - DCG0481154BXXXAA
M25 - DCG0481154BXXXAB
M26 - DCG0481154BXXXAC
M27 - DCG0481157BASXAA
M28 - DCG0481157BAXXAA
M29 - DCG0481157BXXXAA
M30 - DCG0481157BXXXAB

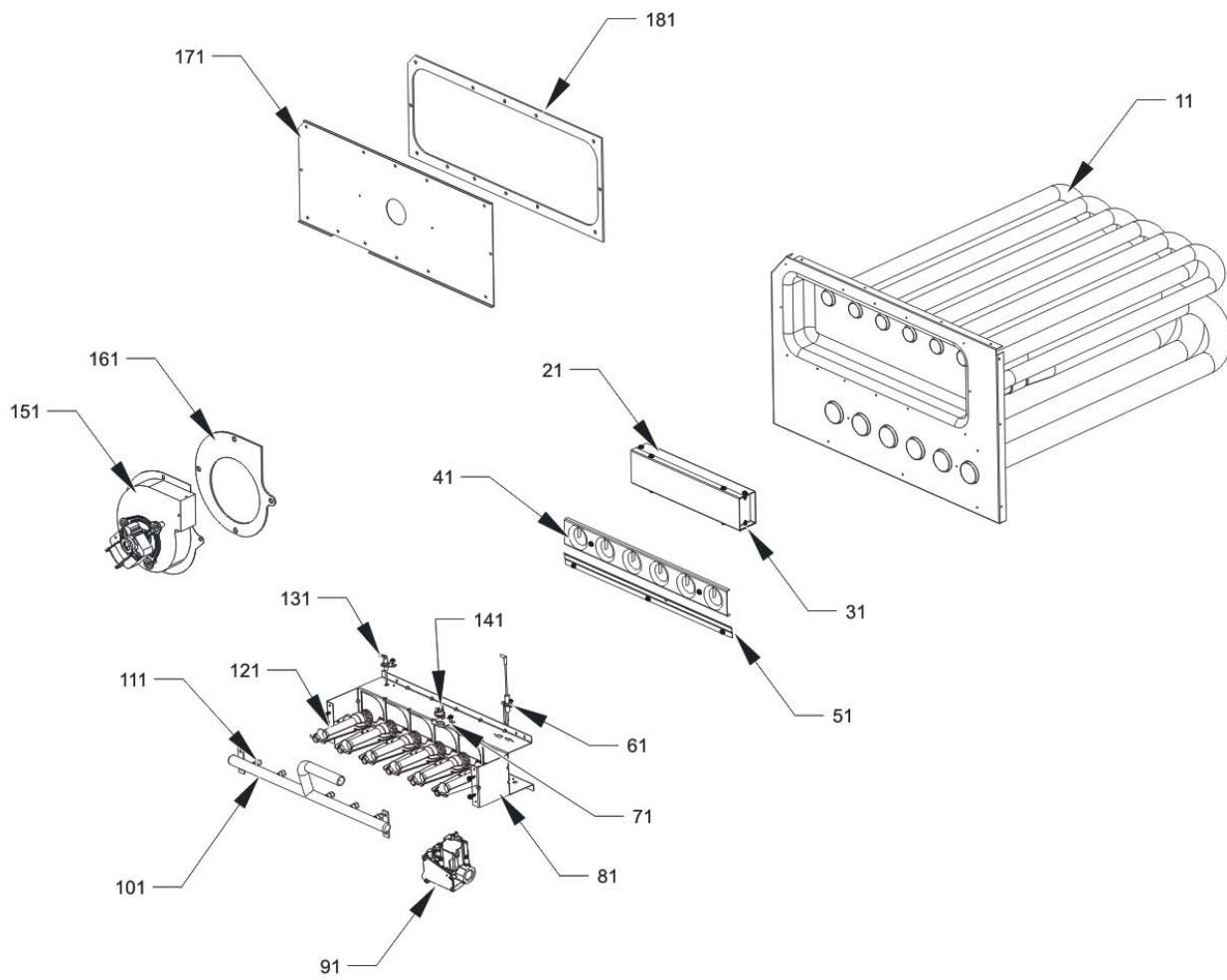
Belt Drive Assy



Belt Drive Assy

Ref. Part No: No:	Description:	Ref. Part No: No:	Description:
<i>Image 1:</i>		Expanded Model Nomenclature	
11	0131L00003 BELT DRIVE MOTOR 1 HP (M1, M2, M3, M4, M5, M6, M7, M8, M9, M10, M11, M12, M13, M14, M15, M16, M17, M18, M19, M20, M21, M22, M23, M24, M25, M26)	M1 - DCG0480903BAXGAA	
11	0131L00004 BELT DRIVE MOTOR 1.5 HP 575V (M27, M28, M29, M30)	M2 - DCG0480903BHXAAA	
21	0121L00297 BLOWER SIDE ANGLE (QTY 3)	M3 - DCG0480903BHXBAA	
31	0121L00899 MOTOR BASE	M4 - DCG0480903BHXUAA	
41	0121L00281 BLOWER MOUNTING ANGLE	M5 - DCG0480903BJXAAA	
51	0163L00005 BELT DRIVE BLOWER SHAFT	M6 - DCG0480903BJXFAA	
61	2539302F BLOWER HOUSING 11 X 10	M7 - DCG0480903BXXXAA	
71	B3201300 MOUNTING BRACKET BEARING (QTY 2)	M8 - DCG0480903BXXXAB	
81	B1368056 BELT DRIVE BLOWER WHEEL	M9 - DCG0480904BAXMAB	
91	B3204310 FIXED SHEAVE AK66	M10 - DCG0480904BJXAAB	
101	B1398604 STEEL KEY (000158812) 2.0"	M11 - DCG0480904BJXAAC	
111	B1399500 BALL BEARING 1.00" (QTY 2)	M12 - DCG0480904BXXMAB	
121	0164L00010 FAN BELT, NOTCHED	M13 - DCG0480904BXXXAA	
131	B2120001 VARIABLE PITCH SHEAVE 1VL44 X 3/8"	M14 - DCG0480904BXXXAB	
141	0121L01203 BLOWER PLATE SUPPORT	M15 - DCG0480904BXXXAC	
151	B1393726 ELECT. CONNECTING BUSHING	M16 - DCG0481153BHXAAA	
161	B1393738 BOLT 1/4-20 X 3/4" (QTY 8)	M17 - DCG0481153BJSAAA	
171	0163M00045 BOLT 1/4-20 X 4"	M18 - DCG0481153BJXAAA	
181	3225000F BELT TIGHTENER ANGLE	M19 - DCG0481153BXSXAA	
191	B1393023 NUT / LOCK .25-20	M20 - DCG0481153BXSXAB	
NS	1864703F BLOWER CUT-OFF	M21 - DCG0481153BXXXAA	
NS	0130F00037 PRIMARY LIMIT - GRAY 150° (M16, M17, M18, M19, M20, M21, M22, M23, M24, M25, M26, M27, M28, M29, M30)	M22 - DCG0481153BXXXAB	
NS	20162905 PRIMARY LIMIT-YELLOW (M1, M2, M3, M4, M5, M6, M7, M8, M9, M10, M11, M12, M13, M14, M15)	M23 - DCG0481154BJXGAB	
NS	B1398603 STEEL KEY (000158812) 4.5"	M24 - DCG0481154BXXXAA	
		M25 - DCG0481154BXXXAB	
		M26 - DCG0481154BXXXAC	
		M27 - DCG0481157BASXAA	
		M28 - DCG0481157BAXXAA	
		M29 - DCG0481157BXXXAA	
		M30 - DCG0481157BXXXAB	

Heat Exchanger



Heat Exchanger

**Ref. Part
No: No:**

Description:

**Ref. Part
No: No:**

Description:

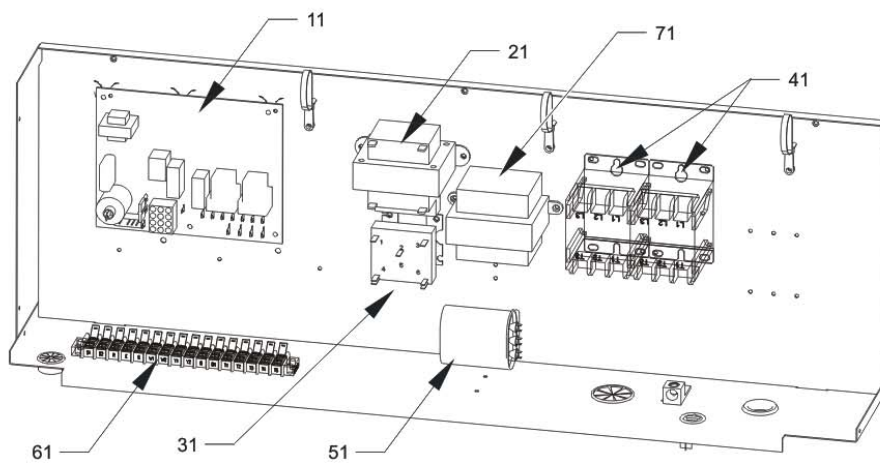
Image 1:

11	0270L00092	PART/TUBE ASSY 4B (M1, M2, M3, M4, M5, M6, M7, M8, M9, M10, M11, M12, M13, M14, M15)
11	0270L00110	PART/TUBE ASSY 5B (M16, M18, M21, M22, M23, M24, M25, M26, M28, M29, M30)
11	0270L00111	PART/TUBE ASSY 5B (M17, M19, M20, M27)
21	0121L00277	FLUE CHANNEL
31	0121L00278	FLUE SIDE COVER
41	11072203	ORIFICE SHIELD (M1, M2, M3, M4, M5, M6, M7, M8, M9, M10, M11, M12, M13, M14, M15)
41	11072204	ORIFICE SHIELD (M16, M17, M18, M19, M20, M21, M22, M23, M24, M25, M26, M27, M28, M29, M30)
51	0121L00267	BURNER SLIDE BRACKET
61	20261709	IGNITOR
71	0121L00053	FLAME ROLLOUT BRACKET
81	20190412	BURNER BRACKET 4B (M1, M2, M3, M4, M5, M6, M7, M8, M9, M10, M11, M12, M13, M14, M15)
81	20190413	BURNER BRACKET 5B (M16, M17, M18, M19, M20, M21, M22, M23, M24, M25, M26, M27, M28, M29, M30)
91	0151F00000P	GAS VALVE - WHITE-RODGERS 2-STAGE
101	0163L00026	MANIFOLD - 4 BRNR (M1, M2, M3, M4, M5, M6, M7, M8, M9, M10, M11, M12, M13, M14, M15)
101	0163L00029	MANIFOLD - 5 BRNR (M16, M17, M18, M19, M20, M21, M22, M23, M24, M25, M26, M27, M28, M29, M30)
111	10716003	ORIFICE (QTY 4)
121	10735102	BECKETT BURNER (QTY 4)
131	0130F00010	FLAME SENSOR
141	10123532	MANUAL RESET LIMIT 350°F
151	0131M00121	ID COMBUSTION BLOWER
161	0154L00020	ID BLOWER GASKET
171	0121L00284	ID BLOWER PLATE 4 BRNR (M1, M2, M3, M4, M5, M6, M7, M8, M9, M10, M11, M12, M13, M14, M15)
171	0121L00318	ID BLOWER PLATE 6 BRNR (M16, M17, M18, M19, M20, M21, M22, M23, M24, M25, M26, M27, M28, M29, M30)
181	0154L00018	ID BLOWER PLATE GASKET 4 BRNR (M1, M2, M3, M4, M5, M6, M7, M8, M9, M10, M11, M12, M13, M14, M15)
181	0154L00017	ID BLOWER PLATE GASKET 6 BRNR (M16, M17, M18, M19, M20, M21, M22, M23, M24, M25, M26, M27, M28, M29, M30)
NS	0163L00072	SCREEN-FLUE

Expanded Model Nomenclature

M1 - DCG0480903BAXGAA
M2 - DCG0480903BHXAAA
M3 - DCG0480903BHXBAA
M4 - DCG0480903BHXUAA
M5 - DCG0480903BJXAAA
M6 - DCG0480903BJXFAA
M7 - DCG0480903BXXXAA
M8 - DCG0480903BXXXAB
M9 - DCG0480904BAXMAB
M10 - DCG0480904BJXAAB
M11 - DCG0480904BJXAAC
M12 - DCG0480904BXXMAB
M13 - DCG0480904BXXXAA
M14 - DCG0480904BXXXAB
M15 - DCG0480904BXXXAC
M16 - DCG0481153BHXAAA
M17 - DCG0481153BJSAAA
M18 - DCG0481153BJXAAA
M19 - DCG0481153BXSAAA
M20 - DCG0481153BXSXAB
M21 - DCG0481153BXXXAA
M22 - DCG0481153BXXXAB
M23 - DCG0481154BJXGAB
M24 - DCG0481154BXXXAA
M25 - DCG0481154BXXXAB
M26 - DCG0481154BXXXAC
M27 - DCG0481157BASXAA
M28 - DCG0481157BAXXAA
M29 - DCG0481157BXXXAA
M30 - DCG0481157BXXXAB

Control Panel Assy



Control Panel Assy

Ref. Part

No: No: Description:

Ref. Part

No: No: Description:

Image 1:

11	PCBAG123	IGNITION BOARD, DSI INTEGRATED
21	0130M00138	TRANSFORMER 208/230, 24V (M1, M2, M3, M4, M5, M6, M7, M8, M16, M17, M18, M19, M20, M21, M22)
21	0130M00145	TRANSFORMER 480V to 24V, 75VA (M9, M10, M11, M12, M13, M14, M15, M23, M24, M25, M26)
21	0130M00148	TRANSFORMER 575V to 24V, 75VA (M27, M28, M29, M30)
31	0130M00025	24V RELAY
41	CONT3P025024V	CONTACTOR 25 AMP, 3P, 24V (M9, M10, M11, M12, M13, M14, M15, M23, M24, M25, M26, M27, M28, M29, M30)
41	CONT3P030024V	CONTACTOR 30 AMP, 3P, 24V (M1, M2, M3, M4, M5, M6, M7, M8, M16, M17, M18, M19, M20, M21, M22)
51	CAP030000440LA	CAPACITOR 3/440V (M30)
51	CAP050000370LA	CAPACITOR 5/370V (M1, M2, M3, M4, M5, M6, M7, M8, M13, M16, M17, M18, M19, M20, M21, M22, M24, M27, M28, M29)
51	CAP075000370LA	CAPACITOR 7.5/370V (M9, M10, M11, M12, M14, M15, M23, M25, M26)
61	0130M00038	TERMINAL BOARD
71	0130M00146	TRANSFORMER 480V TO 230V, 150VA (M9, M10, M11, M12, M13, M14, M15, M23, M24, M25, M26)
71	0130M00147	TRANSFORMER 575V TO 230V, 150VA (M27, M28, M29, M30)
NS	0259L00067	12-PIN MALE PLUG ASSY
NS	20520901	CAPACITOR STRAP
NS	0259L00074	CONTROL HARNESS (M1, M2, M3, M4, M5, M6, M7, M8, M16, M17, M18, M19, M20, M21, M22)
NS	0259L00075	CONTROL HARNESS (M9, M10, M11, M12, M13, M14, M15, M23, M24, M25, M26, M27, M28, M29, M30)
NS	0259L00179	HARNESS, ECONOMIZER
NS	0259L00090	WIRE HARNESS-SMOKE DETECTOR (M1, M4, M23)
NS	0259L00054	WIRING HARNESS (M1, M2, M3, M4, M5, M6, M7, M8, M16, M17, M18, M19, M20, M21, M22, M27, M28, M29, M30)
NS	0259L00060	WIRING HARNESS (M9, M10, M11, M12, M13, M14, M15, M23, M24, M25, M26)
NS	0259L00065	WIRING HARNESS
NS	0259L00069	WIRING HARNESS

Expanded Model Nomenclature

M1 - DCG0480903BAXGAA
M2 - DCG0480903BHXAAA
M3 - DCG0480903BHXBAA
M4 - DCG0480903BHXUAA
M5 - DCG0480903BJXAAA
M6 - DCG0480903BJXFAA
M7 - DCG0480903BXXXAA
M8 - DCG0480903BXXXAB
M9 - DCG0480904BAXMAB
M10 - DCG0480904BJXAAB
M11 - DCG0480904BJXAAC
M12 - DCG0480904BXXMAB
M13 - DCG0480904BXXXAA
M14 - DCG0480904BXXXAB
M15 - DCG0480904BXXXAC
M16 - DCG0481153BHXAAA
M17 - DCG0481153BJSAAA
M18 - DCG0481153BJXAAA
M19 - DCG0481153BXSXAA
M20 - DCG0481153BXSXAB
M21 - DCG0481153BXXXAA
M22 - DCG0481153BXXXAB
M23 - DCG0481154BJXGAB
M24 - DCG0481154BXXXAA
M25 - DCG0481154BXXXAB
M26 - DCG0481154BXXXAC
M27 - DCG0481157BASXAA
M28 - DCG0481157BAXXAA
M29 - DCG0481157BXXXAA
M30 - DCG0481157BXXXAB

ACCESSORY PARTS LIST

Accessory Parts

Ref. Part No:	No:	Description:	Ref. Part No:	No:	Description:
Image 1:					
NS	0130M00065	CIRCUIT BREAKER, CONVENIENCE OUTLET (M3, M9, M12)			
NS	0270L00545	CONVENIENCE OUTLET ASSEMBLY (M1, M2, M3, M4, M5, M6, M9, M10, M11, M12, M16, M17, M18, M23)			
NS	0270L00545	CONVENIENCE OUTLET ASSEMBLY (M1, M2, M4, M5, M6, M10, M11, M16, M17, M18, M23)			
NS	0270L00546	CONVENIENCE OUTLET ASSEMBLY (M3, M9, M12)			
NS	DSC060A38YD01FI	DISCONNECT MODULE ASSY (M2, M3, M4, M5, M6, M10, M11, M16, M17, M18, M23)			
NS	DNE036072BFI	DOWNFLOW ECONO-DAIKIN, 3-6 TON (M1, M5, M6, M9, M10, M11, M17, M18, M23, M27, M28)			
NS	LAKT01FIAC	LOW AMBIENT KIT (M4, M6, M9, M12)			
NS	SDRKT01FI4	SMOKE DETECTOR ASSEMBLY (M1, M4, M23)			
NS	0130M00061	TRANSFORMER, CONVENIENCE OUTLET (M3, M9, M12)			

Expanded Model Nomenclature

- M1 - DCG0480903BAXGAA
- M2 - DCG0480903BHXAAA
- M3 - DCG0480903BHXBAA
- M4 - DCG0480903BHXUAA
- M5 - DCG0480903BJXAAA
- M6 - DCG0480903BJXFAA
- M7 - DCG0480903BXXXAA
- M8 - DCG0480903BXXXAB
- M9 - DCG0480904BAXMAB
- M10 - DCG0480904BJXAAB
- M11 - DCG0480904BJXAAC
- M12 - DCG0480904BXXMAB
- M13 - DCG0480904BXXXAA
- M14 - DCG0480904BXXXAB
- M15 - DCG0480904BXXXAC
- M16 - DCG0481153BHXAAA
- M17 - DCG0481153BJSAAA
- M18 - DCG0481153BJXAAA
- M19 - DCG0481153BXSXAA
- M20 - DCG0481153BXSXAB
- M21 - DCG0481153BXXXAA
- M22 - DCG0481153BXXXAB
- M23 - DCG0481154BJXGAB
- M24 - DCG0481154BXXXAA
- M25 - DCG0481154BXXXAB
- M26 - DCG0481154BXXXAC
- M27 - DCG0481157BASXAA
- M28 - DCG0481157BAXXAA
- M29 - DCG0481157BXXXAA
- M30 - DCG0481157BXXXAB