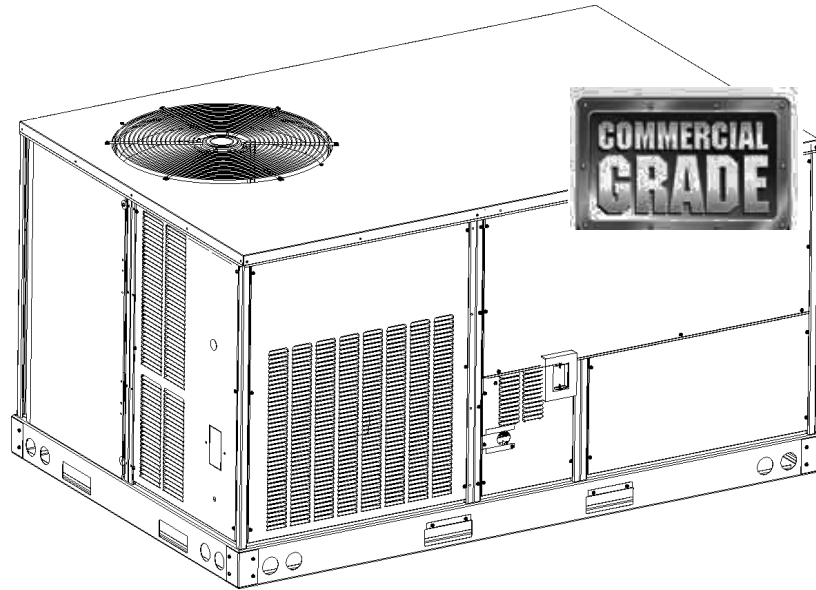


## Commercial 3 Ton Package Gas Units

DCG0360453BJXXAA  
DCG0360453BHXFAB  
DCG0360453BJXAAA  
DCG0360453BXSXAA  
DCG0360453BXXXAA  
DCG0360454BAXMAB  
DCG0360454BHSAAB  
DCG0360454BXXXAA  
DCG0360454BXXXAB  
DCG0360903BASAAA  
DCG0360903BHSAAB  
DCG0360903BHXXAA  
DCG0360903BJSAAA  
DCG0360903BJSJAA  
DCG0360903BJXAAA  
DCG0360903BJUAAA  
DCG0360903BXSXAA  
DCG0360903BXXXAA  
DCG0360904BAXXAB  
DCG0360904BJXFAB  
DCG0360904BXXJAB  
DCG0360904BXXXAA  
DCG0360904BXXXAB  
DCG0360907BAXXAA  
DCG0360907BXSXAA  
DCG0360907BXXXAA



This manual is to be used by qualified technicians only.

This manual replaces RP-D1001E.

© 2015 **DAIKIN COMPANY, L.P.** ♦ 5151 San Felipe St., Suite 500 ♦ Houston, TX 77056

# Important Information

---

## Index

Functional Parts List .....	3
Illustration and Parts .....	4 - 17

*Views shown are for parts illustrations only, not servicing procedures*

1-31-14: Updated limit drawing location

Rev. C: Added models: DCG0360454BHSA, DCG0360903BASA, DCG0360903BHXX, DCG0360903BJSA, DCG0360903BJSJ, DCG0360904BJXF, DCG0360904BXXJ

Rev. D: Added models DCG0360454BAXM, DCG0360907BAXX, DCG0360907BXSX.

Rev. E: Added models DCG0360453BJXA, DCG0360903BJXA

Rev. F: Added models DCG0360453BJXXAA, DCG0360453BHXFXXAA, DCG0360453BXSXXAA, DCG0360903BJXUAA, and DCG0360904BAXXAB.

### Text Codes:

AR - As Required

NA - Not Available

NS - Not Shown

00000000 - See Note

QTY - Quantity Example (QTY 3) (If Quantity not shown, Quantity = 1)

M - Model Example (M1) (If M Code not shown, then part is used on all Models)

### Expanded Model Nomenclature:

Example
M1 - Model#1
M2 - Model#2
M3 - Model#3

Daikin Company, L.P. is not responsible for personal injury or property damage resulting from improper service. Review all service information before beginning repairs.

Warranty service must be performed by an authorized technician, using authorized factory parts. If service is required after the warranty expires, Daikin Company, L.P. also recommends contacting an authorized technician and using authorized factory parts.

Daikin Company, L.P. reserves the right to discontinue, or change at any time, specifications or designs without notice or without incurring obligations.

For assistance within the U.S.A. contact:

Consumer Affairs Department  
Daikin North America, LLC  
7401 Security Way  
Houston, Texas 77040  
855-770-5678-Telephone  
713-863-2382-Facsimile

For assistance outside the U.S.A. contact:

International Division  
Daikin North America, LLC  
7401 Security Way  
Houston, Texas 77040  
713-861-2500-Telephone  
713-863-2382-Facsimile

# Functional Parts

## Part

### No: Description:

0130M00025	24V RELAY
B1370155	AUXILIARY LIMIT SWITCH 120°F (M10, M11, M12, M13, M14, M15, M16, M17, M18, M19, M20, M21, M22, M23, M24, M25, M26)
B1368056	BELT DRIVE BLOWER WHEEL
0131L00003	BELT DRIVE MOTOR 1 HP (M1, M2, M3, M4, M5, M6, M7, M8, M9, M10, M11, M12, M13, M14, M15, M16, M17, M18, M19, M20, M21, M22, M23)
0131L00004	BELT DRIVE MOTOR 1.5 HP 575V (M24, M25, M26)
CAP050000370LA	CAPACITOR 5/370V (M1, M2, M3, M4, M5, M8, M10, M11, M12, M13, M14, M15, M16, M17, M18, M22, M24, M25, M26)
CAP075000370LA	CAPACITOR 7.5/370V (M6, M7, M9, M19, M20, M21, M23)
ZP31K5ETFE130	COMPRESSOR 31100, 575/60/3 (M24, M25, M26)
ZP31K5ETF5130	COMPRESSOR 31200, 200/230/60/3 (M1, M2, M3, M4, M5, M10, M11, M12, M13, M14, M15, M16, M17, M18)
ZP31K5ETFD130	COMPRESSOR 31200, 460/60/3 (M6, M7, M8, M9, M19, M20, M21, M22, M23)
B13400269	COND MOTOR 380/460 50/60 CYCLE (M8, M22)
0131M00432	COND MOTOR 380/460/50/60 CYCLE (M6, M7, M9, M19, M20, M21, M23)
0131M00098	COND MOTOR 575V (M24, M25, M26)
CONT3P025024V	CONTACTOR 25 AMP, 3P, 24V (M6, M7, M8, M9, M19, M20, M21, M22, M23, M24, M25, M26)
CONT3P030024V	CONTACTOR 30 AMP, 3P, 24V (M1, M2, M3, M4, M5, M10, M11, M12, M13, M14, M15, M16, M17, M18)
0130M00055	CUT-OUT SWITCH, HIGH PRESSURE (M24, M25, M26)
0130M00209	CUT-OUT SWITCH, HIGH PRESSURE (M1, M2, M3, M4, M5, M6, M7, M8, M9, M10, M11, M12, M13, M14, M15, M16, M17, M18, M19, M20, M21, M22, M23)
0130L00007	CUT-OUT SWITCH, LOW PRESSURE
0164L00010	FAN BELT, NOTCHED
0150G00001	FAN BLADE
0130F00010	FLAME SENSOR
0151F00000P	GAS VALVE - WHITE-RODGERS 2-STAGE (M10, M11, M12, M13, M14, M15, M16, M17, M18, M19, M20, M21, M22, M23, M24, M25, M26)
PCBAG123	IGNITION BOARD, DSI INTEGRATED
20261709	IGNITOR
10123532	MANUAL RESET LIMIT 350°F
11112501	PRESSURE SWITCH
0130M00063	PRIMARY LIMIT - GOLD 140° (M1, M2, M3, M4, M5, M6, M7, M8, M9)
0130F00038	PRIMARY LIMIT - LT BLUE 120° (AUX) (M1, M2, M3, M4, M5, M6, M7, M8, M9)
20162905	PRIMARY LIMIT-YELLOW (M10, M11, M12, M13, M14, M15, M16, M17, M18, M19, M20, M21, M22, M23, M24, M25, M26)
0130M00038	TERMINAL BOARD
0130M00138	TRANSFORMER 208/230, 24V (M1, M2, M3, M4, M5, M10, M11, M12, M13, M14, M15, M16, M17, M18)
0130M00146	TRANSFORMER 480V TO 230V, 150VA (M6, M7, M8, M9, M19, M20, M21, M22, M23)
0130M00145	TRANSFORMER 480V to 24V, 75VA (M6, M7, M8, M9, M19, M20, M21, M22, M23)

0130M00147	TRANSFORMER 575V TO 230V, 150VA (M24, M25, M26)
0130M00148	TRANSFORMER 575V to 24V, 75VA (M24, M25, M26)

### Expanded Model Nomenclature

M1 - DCG0360453BHXXAA
M2 - DCG0360453BJXAAA
M3 - DCG0360453BJXXAA
M4 - DCG0360453BXSXAA
M5 - DCG0360453BXXXAA
M6 - DCG0360454BAXMAB
M7 - DCG0360454BHSAAB
M8 - DCG0360454BXXXAA
M9 - DCG0360454BXXXAB
M10 - DCG0360903BASAAA
M11 - DCG0360903BHSAAA
M12 - DCG0360903BHXXAA
M13 - DCG0360903BJSAAA
M14 - DCG0360903BJSJAA
M15 - DCG0360903BJXAAA
M16 - DCG0360903BJXUAA
M17 - DCG0360903BXSXAA
M18 - DCG0360903BXXXAA
M19 - DCG0360904BAXXAB
M20 - DCG0360904BJXFAB
M21 - DCG0360904BXXJAB
M22 - DCG0360904BXXXAA
M23 - DCG0360904BXXXAB
M24 - DCG0360907BAXXAA
M25 - DCG0360907BXSXAA
M26 - DCG0360907BXXXAA

# Top Panel/Tubing Assy

Image 1

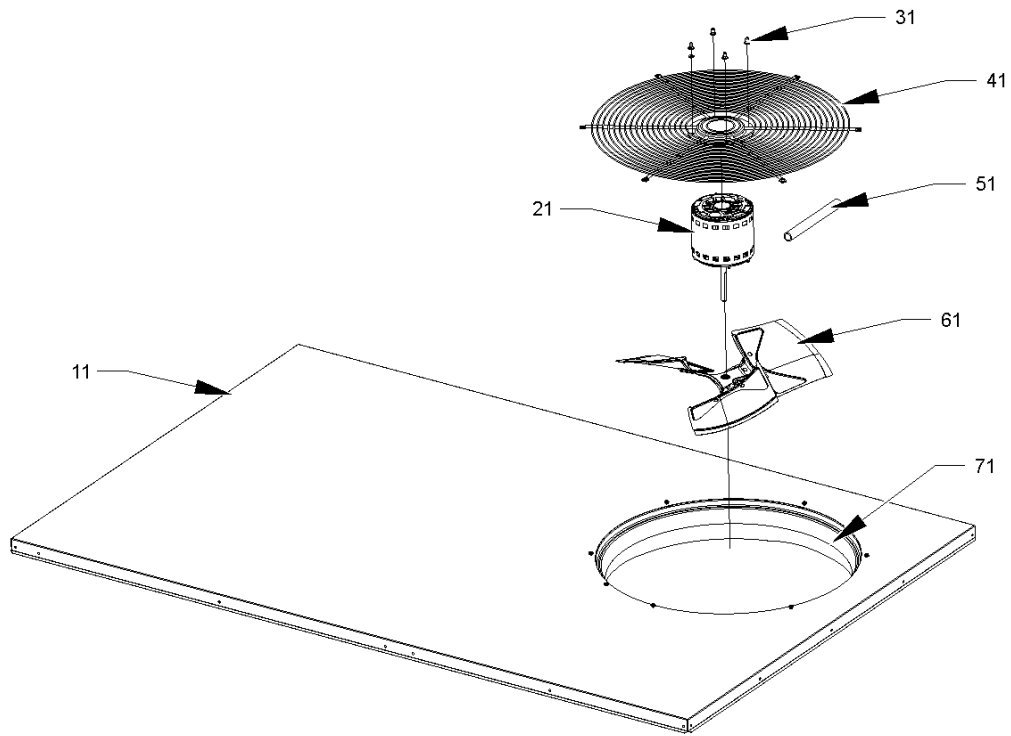
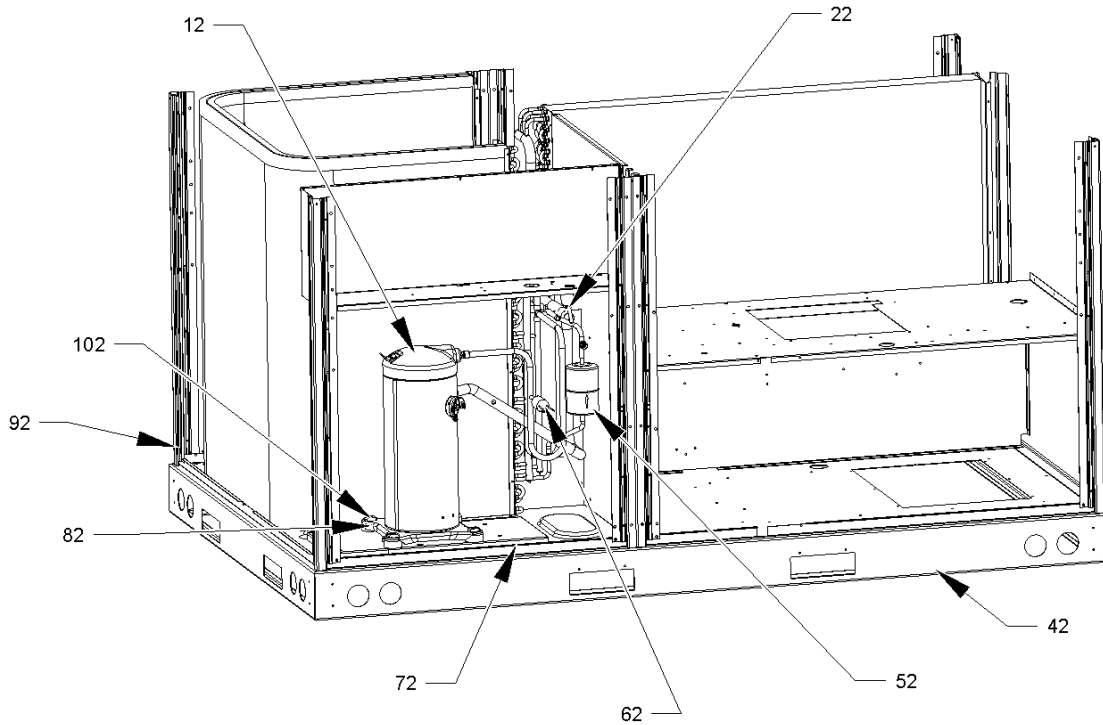


Image 2



# Top Panel/Tubing Assy

## Ref. Part

No: No: Description:

## Ref. Part

No: No: Description:

### Image 1:

11	0121L00235NG	TOP PANEL
21	0131M00429	COND MOTOR 1/4 HP, 1 SP,6 PL (M1, M2, M3, M4, M5, M10, M11, M12, M13, M14, M15, M16, M17, M18)
21	B13400269	COND MOTOR 380/460 50/60 CYCLE (M8, M22)
21	0131M00432	COND MOTOR 380/460/50/60 CYCLE (M6, M7, M9, M19, M20, M21, M23)
21	0131M00098	COND MOTOR 575V (M24, M25, M26)
41	0152G00003	FAN GRILLE
51	17788000083F	PVC CONDUIT 8.25"
61	0150G00001	FAN BLADE
71	0161L00000	VENTURI RING 22"
NS	0159L00028	COMPRESSOR SCROLL HARNESS

### Image 2:

12	ZP31K5ETFE130	COMPRESSOR 31100, 575/60/3 (M24, M25, M26)
12	ZP31K5ETF5130	COMPRESSOR 31200, 200/230/60/3 (M1, M2, M3, M4, M5, M10, M11, M12, M13, M14, M15, M16, M17, M18)
12	ZP31K5ETFD130	COMPRESSOR 31200, 460/60/3 (M6, M7, M8, M9, M19, M20, M21, M22, M23)
22	0130L00007	CUT-OUT SWITCH, LOW PRESSURE
42	0121L00244RF	SIDE RAIL (QTY 2)
52	B1219204	BI-FLOW FILTER DRIER (M24, M25, M26)
52	B1219225	SINGLE-FLOW FILTER DRIER, STEEL (M1, M2, M3, M4, M5, M6, M7, M8, M9, M10, M11, M12, M13, M14, M15, M16, M17, M18, M19, M20, M21, M22, M23)
62	0130M00055	CUT-OUT SWITCH, HIGH PRESSURE (M24, M25, M26)
62	0130M00209	CUT-OUT SWITCH, HIGH PRESSURE (M1, M2, M3, M4, M5, M6, M7, M8, M9, M10, M11, M12, M13, M14, M15, M16, M17, M18, M19, M20, M21, M22, M23)
72	0121L00310	COMPRESSOR MOUNTING PLATE
82	B1339533	COMPRESSOR GROMMET (QTY 4)
92	0121L00245	END RAIL (QTY 2)
102	M0221641	TF SHOULDER SCREW (QTY 4)

### Expanded Model Nomenclature

M1 - DCG0360453BHXFAA
M2 - DCG0360453BJXAAA
M3 - DCG0360453BJXXAA
M4 - DCG0360453BXSXAA
M5 - DCG0360453BXXXAA
M6 - DCG0360454BAXMAB
M7 - DCG0360454BHSAAB
M8 - DCG0360454BXXXAA
M9 - DCG0360454BXXXAB
M10 - DCG0360903BASAAA
M11 - DCG0360903BHSAAA
M12 - DCG0360903BHXXAA
M13 - DCG0360903BJSAAA
M14 - DCG0360903BJSJAA
M15 - DCG0360903BJXAAA
M16 - DCG0360903BJXUAA
M17 - DCG0360903BXSXAA
M18 - DCG0360903BXXXAA
M19 - DCG0360904BAXXAB
M20 - DCG0360904BJXFAB
M21 - DCG0360904BXXJAB
M22 - DCG0360904BXXXAA
M23 - DCG0360904BXXXAB
M24 - DCG0360907BAXXAA
M25 - DCG0360907BXSXAA
M26 - DCG0360907BXXXAA

# Cabinet Assy

Image 1

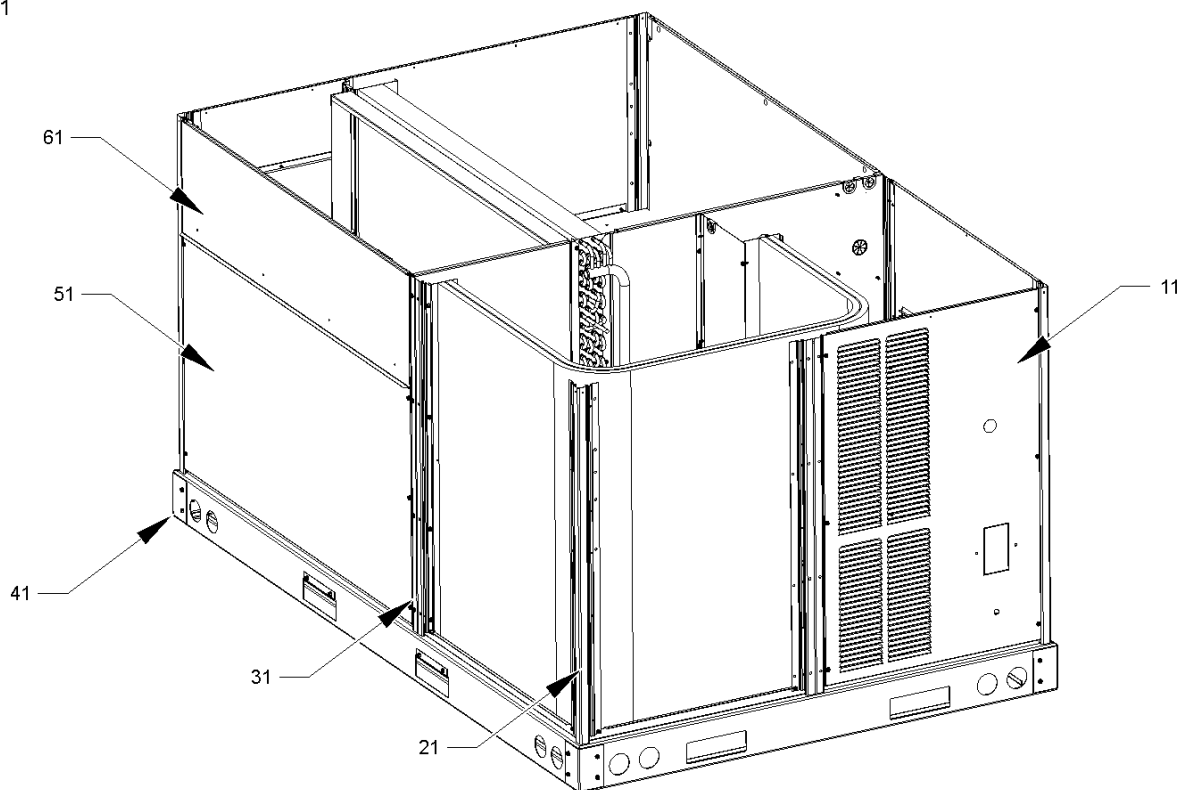
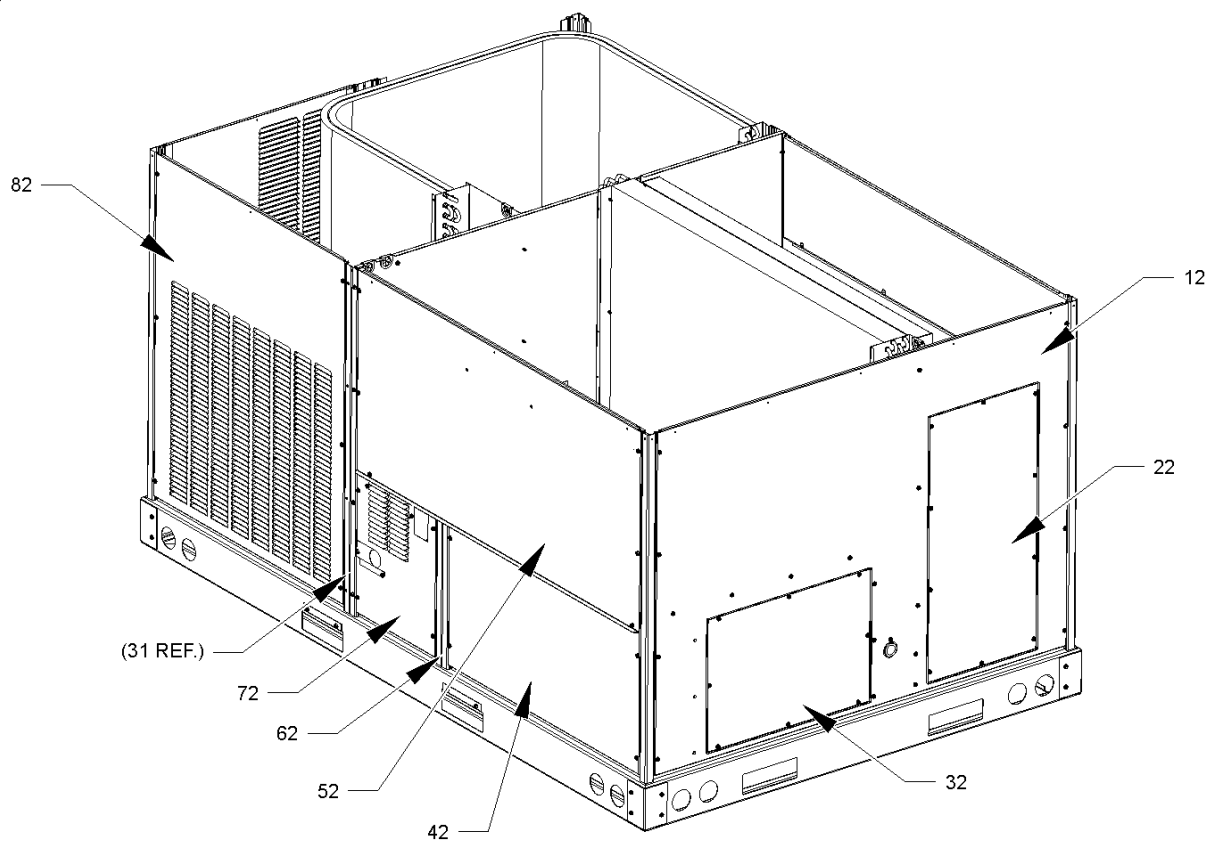


Image 2



# Cabinet Assy

Ref. Part No: No:	Description:	Ref. Part No: No:	Description:
-------------------	--------------	-------------------	--------------

**Image 1:**

11	0121L00263NG	LOUVERED COMPRESSOR PANEL
21	0121L00237RFNG	CORNER POST (QTY 4)
31	0121L00233RFNG	POST-SIDE SUPPORT (QTY 3)
41	0121G00301	RAIL CORNER BRACKET (QTY 4)
51	0121L00976NG	ECONOMIZER DOOR
61	0270L00362NG	FILTER DOOR
NS	0121L00295NG	FLUE COLLAR
NS	0121L00689	RAIN SHIELD-DOOR

**Image 2:**

12	0121L00236NG	DUCT PANEL
22	0121L00023NG	RETURN DUCT COVER
32	0121L00024NG	SUPPLY DUCT COVER
42	0121L00257NG	HEAT EXCHANGER DOOR
52	0121L00259NG	BLOWER DOOR
62	0121L00255RFNG	POST-BURNER DOOR
72	0121L00706NG	BURNER DOOR
82	0121L00262NG	LOUVERED CONTROL PANEL
NS	0164L00009	GASKET-RUBBER, CPOST (QTY 3)
NS	0164L00011	GASKET-RUBBER, SIDE POST (QTY 4)

**Expanded Model Nomenclature**

M1 - DCG0360453BHFAA
M2 - DCG0360453BJXAAA
M3 - DCG0360453BJXXAA
M4 - DCG0360453BXSXAA
M5 - DCG0360453BXXXAA
M6 - DCG0360454BAXMAB
M7 - DCG0360454BHSAAB
M8 - DCG0360454BXXXAA
M9 - DCG0360454BXXXAB
M10 - DCG0360903BASAAA
M11 - DCG0360903BHSAAA
M12 - DCG0360903BHXXAA
M13 - DCG0360903BJSAAA
M14 - DCG0360903BJSJAA
M15 - DCG0360903BJXAAA
M16 - DCG0360903BJJUAA
M17 - DCG0360903BXSXAA
M18 - DCG0360903BXXXAA
M19 - DCG0360904BAXXAB
M20 - DCG0360904BJXFAB
M21 - DCG0360904BXXJAB
M22 - DCG0360904BXXXAA
M23 - DCG0360904BXXXAB
M24 - DCG0360907BAXXAA
M25 - DCG0360907BXSXAA
M26 - DCG0360907BXXXAA

# Partition Assy

Image 1

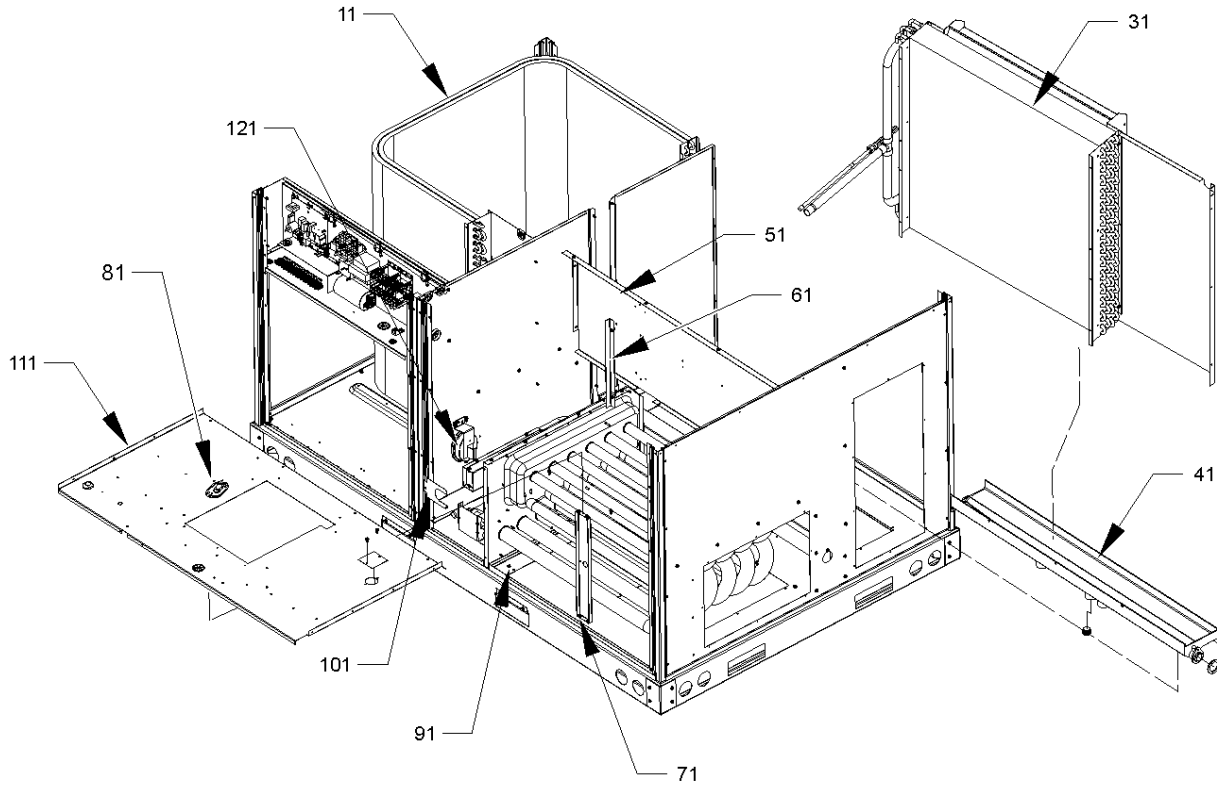
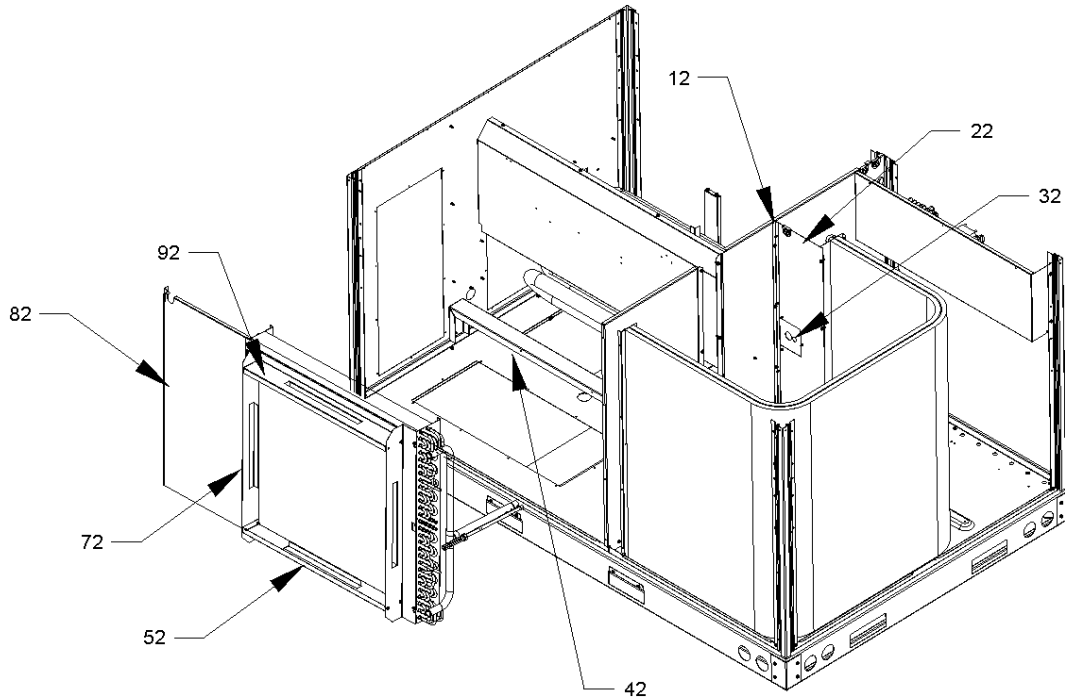


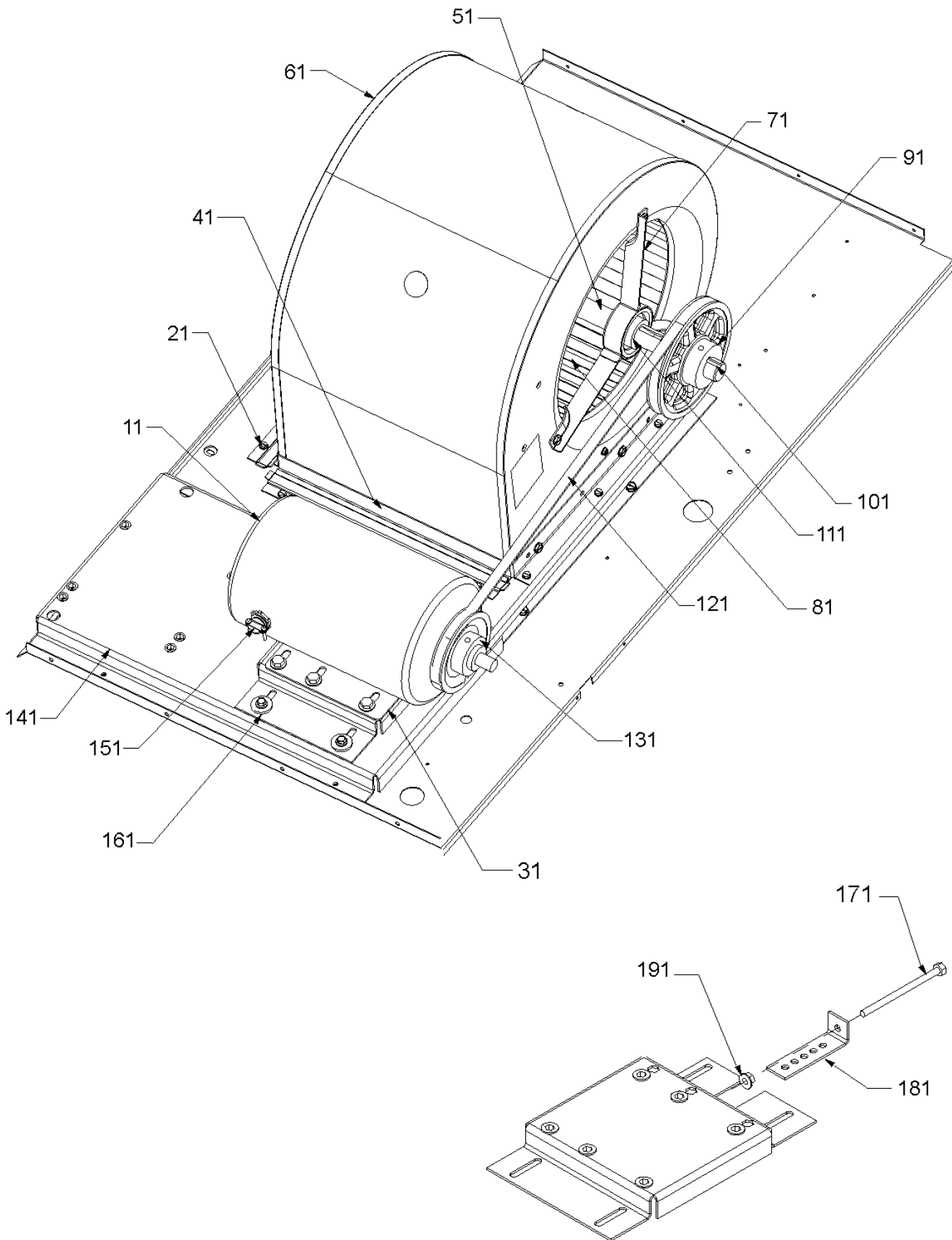
Image 2



# Partition Assy

Ref. Part No: No:	Description:	Ref. Part No: No:	Description:
<b>Image 1:</b>		<b>Expanded Model Nomenclature</b>	
11	0201L00036 TUBING ASSY, COND COIL (M1, M2, M3, M4, M5, M6, M7, M8, M9, M10, M11, M12, M13, M14, M15, M16, M17, M18, M19, M20, M21, M22, M23)	M1 - DCG0360453BHXF	M1 - DCG0360453BHXF
11	0201L00048 TUBING ASSY, COND COIL 575V (M24, M25, M26)	M2 - DCG0360453BJX	M2 - DCG0360453BJX
31	0202L00024 TUBING ASSY, EVAP COIL	M3 - DCG0360453BJX	M3 - DCG0360453BJX
41	0161L00005 DRAIN PAN	M4 - DCG0360453BXS	M4 - DCG0360453BXS
51	0270L00291 CHANNEL DECK SIDE ASSY (M1, M2, M3, M4, M5, M6, M7, M8, M9, M10, M11, M12, M13, M14, M15, M16, M17, M18, M19, M20, M21, M22, M23)	M5 - DCG0360453BXX	M5 - DCG0360453BXX
51	0121L00243 DECK SIDE CHANNEL (M24, M25, M26)	M6 - DCG0360454BAX	M6 - DCG0360454BAX
61	0121L00293 BACK ANGLE-HEAT EXCHANGER (QTY 2)	M7 - DCG0360454BHSA	M7 - DCG0360454BHSA
71	0121L00300 SUPPORT POST-DECK	M8 - DCG0360454BXXX	M8 - DCG0360454BXXX
81	B1370155 AUXILIARY LIMIT SWITCH 120°F (M10, M11, M12, M13, M14, M15, M16, M17, M18, M19, M20, M21, M22, M23, M24, M25, M26)	M9 - DCG0360454BXXX	M9 - DCG0360454BXXX
81	0130M00063 PRIMARY LIMIT - GOLD 140° (M1, M2, M3, M4, M5, M6, M7, M8, M9)	M10 - DCG0360903BAS	M10 - DCG0360903BAS
91	0121L00266 HEAT PANEL CHANNEL (QTY 2)	M11 - DCG0360903BHS	M11 - DCG0360903BHS
101	0121L00299NG GAS VALVE BRACKET	M12 - DCG0360903BHXX	M12 - DCG0360903BHXX
111	0270L00662 BLOWER DECK ASSY	M13 - DCG0360903BJS	M13 - DCG0360903BJS
111	0270L00292 DECK BLOWER ASSY (M1, M2, M3, M4, M5, M6, M7, M8, M9, M10, M11, M12, M13, M14, M15, M16, M17, M18, M19, M20, M21, M22, M23)	M14 - DCG0360903BJS	M14 - DCG0360903BJS
121	11112501 PRESSURE SWITCH	M15 - DCG0360903BJX	M15 - DCG0360903BJX
12	0121L00254 COND MOUNTING ANGLE	M16 - DCG0360903BJX	M16 - DCG0360903BJX
22	0121L00311 COND BLOCK-OFF (M1, M2, M3, M4, M5, M6, M7, M8, M9, M10, M11, M12, M13, M14, M15, M16, M17, M18, M19, M20, M21, M22, M23)	M17 - DCG0360903BXS	M17 - DCG0360903BXS
22	0121L00319 COND BLOCK-OFF (M24, M25, M26)	M18 - DCG0360903BXXX	M18 - DCG0360903BXXX
32	0121L00939 CONDENSER BLOCKOFF PLATE	M19 - DCG0360904BAX	M19 - DCG0360904BAX
42	0121L00238 DRAIN PAN SUPPORT	M20 - DCG0360904BJXF	M20 - DCG0360904BJXF
52	0121L00291 FILTER ANGLE-BOTTOM	M21 - DCG0360904BXX	M21 - DCG0360904BXX
72	0121L00292 FILTER ANGLE-VERTICAL (QTY 2)	M22 - DCG0360904BXXX	M22 - DCG0360904BXXX
82	0121L00289 EVAP BLOCK-OFF	M23 - DCG0360904BXXX	M23 - DCG0360904BXXX
92	0121L00290 FILTER ANGLE-TOP	M24 - DCG0360907BAX	M24 - DCG0360907BAX
NS	0160L00046 FILTER 24 X 24	M25 - DCG0360907BXS	M25 - DCG0360907BXS
		M26 - DCG0360907BXXX	M26 - DCG0360907BXXX

# Belt Drive Assy



# Belt Drive Assy

**Ref. Part  
No: No:**

**Description:**

**Ref. Part  
No: No:**

**Description:**

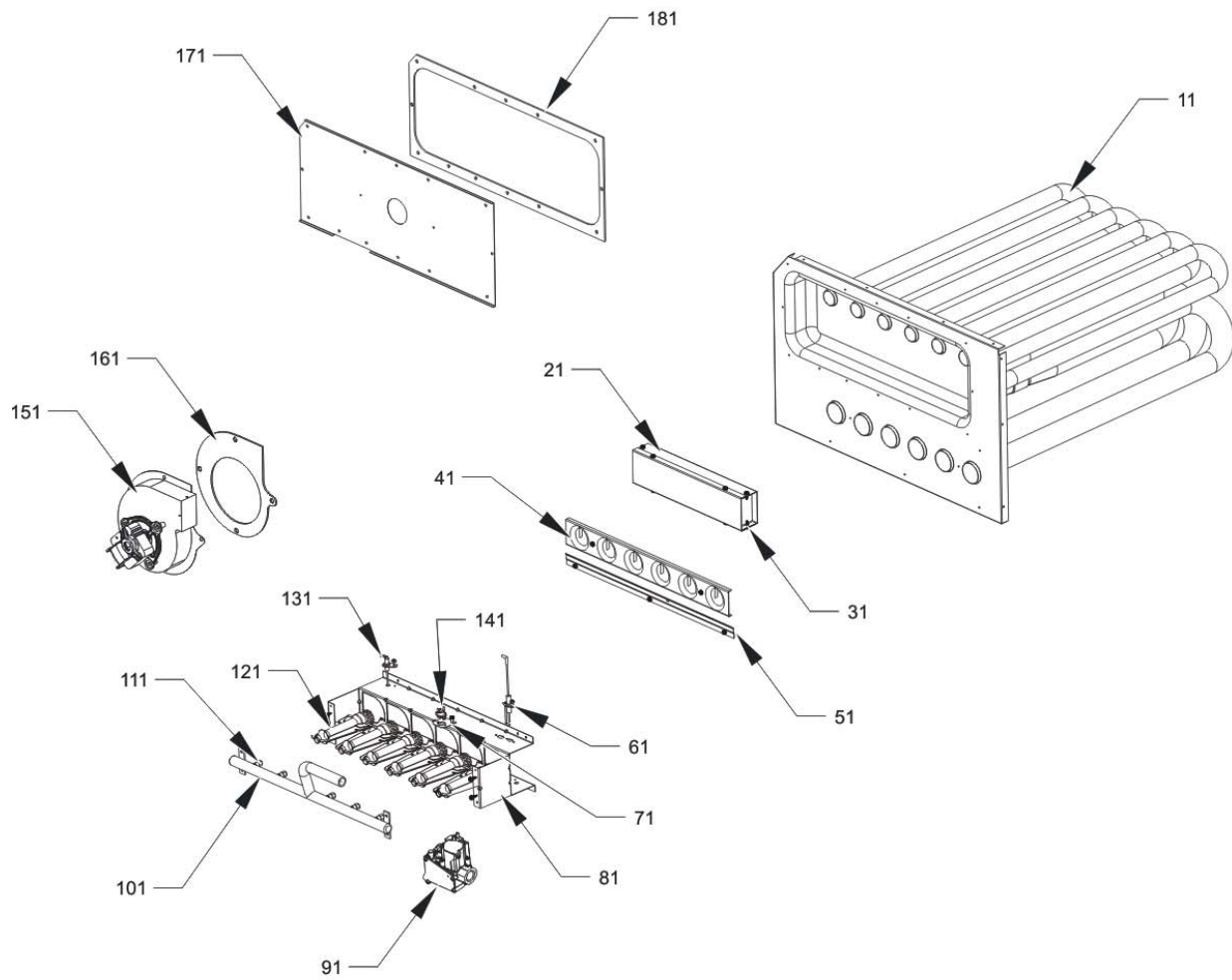
**Image 1:**

11	0131L00003	BELT DRIVE MOTOR 1 HP (M1, M2, M3, M4, M5, M6, M7, M8, M9, M10, M11, M12, M13, M14, M15, M16, M17, M18, M19, M20, M21, M22, M23)
11	0131L00004	BELT DRIVE MOTOR 1.5 HP 575V (M24, M25, M26)
21	0121L00297	BLOWER SIDE ANGLE (QTY 3)
31	0270L00365	MOUNTING PLATE ASSY
41	0121L00281	BLOWER MOUNTING ANGLE
51	0163L00005	BELT DRIVE BLOWER SHAFT
61	2539302F	BLOWER HOUSING 11 X 10
71	B3201300	MOUNTING BRACKET BEARING (QTY 2)
81	B1368056	BELT DRIVE BLOWER WHEEL
91	B2120011	FIXED SHEAVE
101	B1398604	STEEL KEY (000158812) 2.0"
111	B1399500	BALL BEARING 1.00" (QTY 2)
121	0164L00010	FAN BELT, NOTCHED
131	0163L00024	VARIABLE PITCH SHEAVE 1VL40 X 5/8"
151	B1393726	ELECT. CONNECTING BUSHING
161	B1393738	BOLT 1/4-20 X 3/4" (QTY 8)
171	0163M00045	BOLT 1/4-20 X 4"
181	3225000F	BELT TIGHTENER ANGLE
191	B1393023	NUT / LOCK .25-20
NS	1864703F	BLOWER CUT-OFF
NS	0130F00038	PRIMARY LIMIT - LT BLUE 120° (AUX) (M1, M2, M3, M4, M5, M6, M7, M8, M9)
NS	20162905	PRIMARY LIMIT-YELLOW (M10, M11, M12, M13, M14, M15, M16, M17, M18, M19, M20, M21, M22, M23, M24, M25, M26)
NS	B1398603	STEEL KEY (000158812) 4.5"

**Expanded Model Nomenclature**

M1 - DCG0360453BHXF AA
M2 - DCG0360453BJX AA
M3 - DCG0360453BJXX AA
M4 - DCG0360453BXSX AA
M5 - DCG0360453BXXX AA
M6 - DCG0360454BAXM AB
M7 - DCG0360454BHSA AB
M8 - DCG0360454BXXX AA
M9 - DCG0360454BXXX AB
M10 - DCG0360903BASAA
M11 - DCG0360903BHSA AA
M12 - DCG0360903BHXX AA
M13 - DCG0360903BJSAA
M14 - DCG0360903BJSJ AA
M15 - DCG0360903BJX AA
M16 - DCG0360903BJXU AA
M17 - DCG0360903BXSX AA
M18 - DCG0360903BXXX AA
M19 - DCG0360904BAXX AB
M20 - DCG0360904BJXF AB
M21 - DCG0360904BXXJ AB
M22 - DCG0360904BXXX AA
M23 - DCG0360904BXXX AB
M24 - DCG0360907BAXX AA
M25 - DCG0360907BXSX AA
M26 - DCG0360907BXXX AA

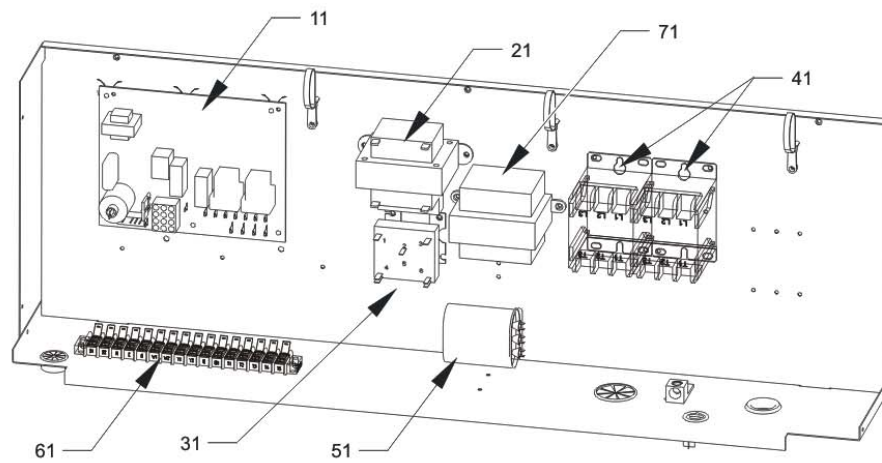
# Heat Exchanger



# Heat Exchanger

Ref. Part No:	No:	Description:	Ref. Part No:	No:	Description:
<i>Image 1:</i>			<b>Expanded Model Nomenclature</b>		
11	0270L00099	PART/TUBE ASSY 2B (M1, M2, M3, M5, M6, M8, M9)	M1 -	DCG0360453BHXFAA	
11	0270L00106	PART/TUBE ASSY 2B (M4, M7)	M2 -	DCG0360453BJXAAA	
11	0270L00092	PART/TUBE ASSY 4B (M12, M15, M16, M18, M19, M20, M21, M22, M23, M24, M26)	M3 -	DCG0360453BJXXAA	
11	0270L00105	PART/TUBE ASSY 4B (M10, M11, M13, M14, M17, M25)	M4 -	DCG0360453BXSXAA	
21	0121L00277	FLUE CHANNEL	M5 -	DCG0360453BXXXAA	
31	0121L00278	FLUE SIDE COVER	M6 -	DCG0360454BAXMAB	
41	11072201	ORIFICE SHIELD (M1, M2, M3, M4, M5, M6, M7, M8, M9)	M7 -	DCG0360454BHSAAB	
41	11072203	ORIFICE SHIELD (M10, M11, M12, M13, M14, M15, M16, M17, M18, M19, M20, M21, M22, M23, M24, M25, M26)	M8 -	DCG0360454BXXXAA	
51	0121L00267	BURNER SLIDE BRACKET	M9 -	DCG0360454BXXXAB	
61	20261709	IGNITOR	M10 -	DCG0360903BASAAA	
71	0121L00053	FLAME ROLLOUT BRACKET	M11 -	DCG0360903BHSAAA	
81	20190410	BURNER BRACKET 2B (M1, M2, M3, M4, M5, M6, M7, M8, M9)	M12 -	DCG0360903BHXXAA	
81	20190412	BURNER BRACKET 4B (M10, M11, M12, M13, M14, M15, M16, M17, M18, M19, M20, M21, M22, M23, M24, M25, M26)	M13 -	DCG0360903BJSAAA	
91	0151F00000P	GAS VALVE - WHITE-RODGERS 2-STAGE (M10, M11, M12, M13, M14, M15, M16, M17, M18, M19, M20, M21, M22, M23, M24, M25, M26)	M14 -	DCG0360903BJSJAA	
111	10716003	ORIFICE (QTY 2)	M15 -	DCG0360903BJXAAA	
121	10735102	BECKETT BURNER (QTY 2)	M16 -	DCG0360903BJXUAA	
131	0130F00010	FLAME SENSOR	M17 -	DCG0360903BXSXAA	
141	10123532	MANUAL RESET LIMIT 350°F	M18 -	DCG0360903BXXXAA	
151	0131M00121	ID COMBUSTION BLOWER	M19 -	DCG0360904BAXXAB	
161	0154L00020	ID BLOWER GASKET	M20 -	DCG0360904BJXFAB	
171	0121L00285	ID BLOWER PLATE 2 BRNR (M1, M2, M3, M4, M5, M6, M7, M8, M9)	M21 -	DCG0360904BXXJAB	
171	0121L00284	ID BLOWER PLATE 4 BRNR (M10, M11, M12, M13, M14, M15, M16, M17, M18, M19, M20, M21, M22, M23, M24, M25, M26)	M22 -	DCG0360904BXXXAA	
181	0154L00018	ID BLOWER PLATE GASKET 4 BRNR	M23 -	DCG0360904BXXXAB	
NS	0163L00072	SCREEN-FLUE	M24 -	DCG0360907BAXXAA	
NS	0130M00061	TRANSFORMER, CONVENIENCE OUTLET (M6)	M25 -	DCG0360907BXSXAA	
			M26 -	DCG0360907BXXXAA	

# Control Panel Assy



# Control Panel Assy

Ref. Part No: No:	Description:	Ref. Part No: No:	Description:
<i>Image 1:</i>		<b>Expanded Model Nomenclature</b>	
11	PCBAG123	IGNITION BOARD, DSI INTEGRATED	M1 - DCG0360453BHXFAA
21	0130M00138	TRANSFORMER 208/230, 24V (M1, M2, M3, M4, M5, M10, M11, M12, M13, M14, M15, M16, M17, M18)	M2 - DCG0360453BJXAAA
21	0130M00145	TRANSFORMER 480V to 24V, 75VA (M6, M7, M8, M9, M19, M20, M21, M22, M23)	M3 - DCG0360453BJXXAA
21	0130M00148	TRANSFORMER 575V to 24V, 75VA (M24, M25, M26)	M4 - DCG0360453BXSXAA
31	0130M00025	24V RELAY	M5 - DCG0360453BXXXAA
41	CONT3P025024V	CONTACTOR 25 AMP, 3P, 24V (M6, M7, M8, M9, M19, M20, M21, M22, M23, M24, M25, M26)	M6 - DCG0360454BAXMAB
41	CONT3P030024V	CONTACTOR 30 AMP, 3P, 24V (M1, M2, M3, M4, M5, M10, M11, M12, M13, M14, M15, M16, M17, M18)	M7 - DCG0360454BHSAAB
51	CAP050000370LA	CAPACITOR 5/370V (M1, M2, M3, M4, M5, M8, M10, M11, M12, M13, M14, M15, M16, M17, M18, M22, M24, M25, M26)	M8 - DCG0360454BXXXAA
51	CAP075000370LA	CAPACITOR 7.5/370V (M6, M7, M9, M19, M20, M21, M23)	M9 - DCG0360454BXXXAB
61	0130M00038	TERMINAL BOARD	M10 - DCG0360903BASAAA
71	0130M00146	TRANSFORMER 480V TO 230V, 150VA (M6, M7, M8, M9, M19, M20, M21, M22, M23)	M11 - DCG0360903BHSAAA
71	0130M00147	TRANSFORMER 575V TO 230V, 150VA (M24, M25, M26)	M12 - DCG0360903BHXXAA
NS	0259L00067	12-PIN MALE PLUG ASSY	M13 - DCG0360903BJSAAA
NS	20520901	CAPACITOR STRAP (QTY 4)	M14 - DCG0360903BJSJAA
NS	0259L00074	CONTROL HARNESS (M1, M2, M3, M4, M5, M10, M11, M12, M13, M14, M15, M16, M17, M18)	M15 - DCG0360903BJXAAA
NS	0259L00075	CONTROL HARNESS (M6, M7, M8, M9, M19, M20, M21, M22, M23, M24, M25, M26)	M16 - DCG0360903BJXUAA
NS	0259L00179	HARNESS, ECONOMIZER	M17 - DCG0360903BXSXAA
NS	0259L00092	HARNESS-SMOKE DETECTOR SENSOR (M14, M21)	M18 - DCG0360903BXXXAA
NS	0259L00090	WIRE HARNESS-SMOKE DETECTOR (M14, M21)	M19 - DCG0360904BAXXAB
NS	0259L00090	WIRE HARNESS-SMOKE DETECTOR (M16)	M20 - DCG0360904BJXFAB
NS	0259L00054	WIRING HARNESS (M1, M2, M3, M4, M5, M10, M11, M12, M13, M14, M15, M16, M17, M18, M24, M25, M26)	M21 - DCG0360904BXXJAB
NS	0259L00060	WIRING HARNESS (M6, M7, M8, M9, M19, M20, M21, M22, M23)	M22 - DCG0360904BXXXAA
NS	0259L00065	WIRING HARNESS	M23 - DCG0360904BXXXAB
NS	0259L00069	WIRING HARNESS (M10, M11, M12, M13, M14, M15, M16, M17, M18, M19, M20, M21, M22, M23, M24, M25, M26)	M24 - DCG0360907BAXXAA
			M25 - DCG0360907BXSXAA
			M26 - DCG0360907BXXXAA

# ACCESSORY PARTS LIST

# Accessory Parts List

Ref. Part No:	No:	Description:	Ref. Part No:	No:	Description:
<i>Image 1:</i>					
NS	0130M00065	CIRCUIT BREAKER, CONVENIENCE OUTLET (M6)			
NS	0270L00545	CONVENIENCE OUTLET ASSEMBLY (M1, M2, M7, M10, M11, M13, M14, M15, M16, M20, M21)			
NS	0270L00546	CONVENIENCE OUTLET ASSEMBLY (M6)			
NS	DSC060A38YD01FI	DISCONNECT MODULE ASSY (M1, M2, M3, M7, M11, M12, M13, M14, M15, M16, M20)			
NS	DNE036072BFI	DOWNFLOW ECONO-DAIKIN, 3-6 TON (M2, M3, M6, M10, M13, M14, M15, M16, M19, M20, M24)			
NS	LAKT01FIAC	LOW AMBIENT KIT (M1, M6, M16, M20)			
NS	SDRKT01FI3	SMOKE DETECTOR ASSEMBLY (M16)			
NS	SDSRKT01FI3	SMOKE DETECTOR ASSEMBLY (M14, M21)			

## Expanded Model Nomenclature

- M1 - DCG0360453BHXFAA
- M2 - DCG0360453BJXAAA
- M3 - DCG0360453BJXXAA
- M4 - DCG0360453BXSXAA
- M5 - DCG0360453BXXXAA
- M6 - DCG0360454BAXMAB
- M7 - DCG0360454BHSAAB
- M8 - DCG0360454BXXXAA
- M9 - DCG0360454BXXXAB
- M10 - DCG0360903BASAAA
- M11 - DCG0360903BHSAAB
- M12 - DCG0360903BHXXAA
- M13 - DCG0360903BJSAAA
- M14 - DCG0360903BJSJAA
- M15 - DCG0360903BJXAAA
- M16 - DCG0360903BJJUAA
- M17 - DCG0360903BXSXAA
- M18 - DCG0360903BXXXAA
- M19 - DCG0360904BAXXAB
- M20 - DCG0360904BJXFAB
- M21 - DCG0360904BXXJAB
- M22 - DCG0360904BXXXAA
- M23 - DCG0360904BXXXAB
- M24 - DCG0360907BAXXAA
- M25 - DCG0360907BXSXAA
- M26 - DCG0360907BXXXAA