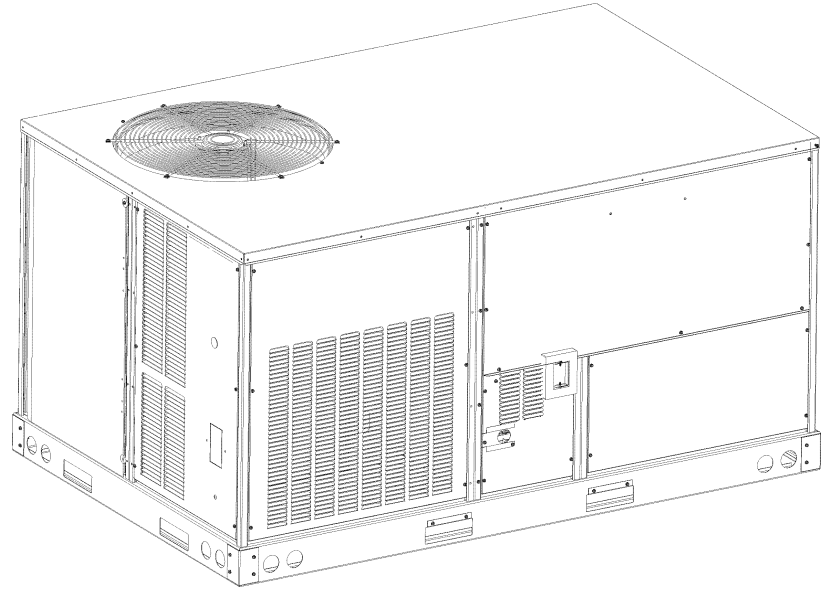


Commercial 3 Ton Package Gas Unit

DCG0360903BXDXAB
DCG0360453BXXAAB
DCG0360453BXXBAB
DCG0360453BXXXAB
DCG0360454BJXFAC
DCG0360454BWXBAC
DCG0360454BXXXAC
DCG0360903BAXXAB
DCG0360903BHXBAB
DCG0360903BHXBAB
DCG0360903BHXXAB
DCG0360903BJSFAB
DCG0360903BJXBAB
DCG0360903BJXGAB
DCG0360903BJXZAB
DCG0360903BXSXAB
DCG0360903BXXCAB
DCG0360903BXXDAB
DCG0360903BXXXAB
DCG0360904BAXXAC
DCG0360904BHSBAC
DCG0360904BHXFAC
DCG0360904BHXHAC
DCG0360904BXSXAC
DCG0360904BXXXAC
DCG0360907BASXAB
DCG0360907BAXAAB
DCG0360907BJSAB
DCG0360907BXDXAB
DCG0360907BXXXAB



This manual is to be used by qualified technicians only.

This manual replaces RP-D1085F.

Important Information

Index

Functional Parts List	3
Illustration and Parts	4 - 15

Views shown are for parts illustrations only, not servicing procedures

Text Codes:

AR - As Required

NA - Not Available

NS - Not Shown

00000000 - See Note

QTY - Quantity Example (QTY 3) (If Quantity not shown, Quantity = 1)

M - Model Example (M1) (If M Code not shown, then part is used on all Models)

Expanded Model Nomenclature:

Example M1 - Model#1 M2 - Model#2 M3 - Model#3

Daikin Company, L.P. is not responsible for personal injury or property damage resulting from improper service. Review all service information before beginning repairs.

Warranty service must be performed by an authorized technician, using authorized factory parts. If service is required after the warranty expires, Daikin Company, L.P. also recommends contacting an authorized technician and using authorized factory parts.

Daikin Company, L.P. reserves the right to discontinue, or change at any time, specifications or designs without notice or without incurring obligations.

For assistance within the U.S.A. contact:

Homeowner Support
Daikin North America, LLC
19001 Kermier Road
Waller, Texas 77484
855-770-5678-Telephone
713-863-2382-Facsimile

For assistance outside the U.S.A. contact:

International Division
Daikin North America, LLC
19001 Kermier Road
Waller, Texas 77484
713-861-2500-Telephone
713-863-2382-Facsimile

Functional Parts

Part

No: Description:

Part No:	Description:	Part No:	Description:
0130M00025	24V RELAY	0130M00146	TRANSFORMER 480V TO 230V, 150VA (M4, M5, M6, M20, M21, M22, M23, M24, M25)
B1370155	AUXILIARY LIMIT SWITCH 120°F (M7, M8, M9, M10, M11, M12, M13, M14, M15, M16, M17, M18, M19, M20, M21, M22, M23, M24, M25, M26, M27, M28, M29, M30)	0130M00145	TRANSFORMER 480V to 24V, 75VA (M4, M5, M6, M20, M21, M22, M23, M24, M25)
B1368056	BELT DRIVE BLOWER WHEEL	0130M00147	TRANSFORMER 575V TO 230V, 150VA (M26, M27, M28, M29, M30)
0131L00003	BELT DRIVE MOTOR 1 HP (M1, M2, M3, M4, M5, M6, M7, M8, M9, M10, M11, M12, M13, M14, M15, M16, M17, M18, M19, M20, M21, M22, M23, M24, M25)	0130M00148	TRANSFORMER 575V to 24V, 75VA (M26, M27, M28, M29, M30)
0131L00004	BELT DRIVE MOTOR 1.5 HP 575V (M26, M27, M28, M29, M30)		
CAP030000440LA	CAPACITOR 3/440V (M26, M27, M28, M29, M30)		
CAP050000370LA	CAPACITOR 5/370V (M1, M2, M3, M7, M8, M9, M10, M11, M12, M13, M14, M15, M16, M17, M18, M19)		
CAP075000370LA	CAPACITOR 7.5/370V (M4, M5, M6, M20, M21, M22, M23, M24, M25)		
ZP31K5ETFE130	COMPRESSOR 31100, 575/60/3 (M26, M27, M28, M29, M30)		
ZP31K5ETF5130	COMPRESSOR 31200, 200/230/60/3 (M1, M2, M3, M7, M8, M9, M10, M11, M12, M13, M14, M15, M16, M17, M18, M19)		
ZP31K5ETFD130	COMPRESSOR 31200, 460/60/3 (M4, M5, M6, M20, M21, M22, M23, M24, M25)		
0131M00429	COND MOTOR 1/4 HP, 1 SP, 6 PL (M1, M2, M3, M7, M8, M9, M10, M11, M12, M13, M14, M15, M16, M17, M18, M19)		
0131M00432	COND MOTOR 380/460/50/60 CYCLE (M4, M5, M6, M20, M21, M22, M23, M24, M25)		
0131M00431	COND MOTOR 575V (M26, M27, M28, M29, M30)		
CONT3P025024V	CONTACTOR 25 AMP, 3P, 24V (M4, M5, M6, M20, M21, M22, M23, M24, M25, M26, M27, M28, M29, M30)		
CONT3P030024V	CONTACTOR 30 AMP, 3P, 24V (M1, M2, M3, M7, M8, M9, M10, M11, M12, M13, M14, M15, M16, M17, M18, M19)		
0130M00209	CUT-OUT SWITCH, HIGH PRESSURE		
0130L00007	CUT-OUT SWITCH, LOW PRESSURE		
0164L00010	FAN BELT, NOTCHED		
0150G00004	FAN BLADE		
0130F00010	FLAME SENSOR		
0151F00000P	GAS VALVE - WHITE-RODGERS 2-STAGE (M7, M8, M9, M10, M11, M12, M13, M14, M15, M16, M17, M18, M19, M20, M21, M22, M23, M24, M25, M26, M27, M28, M29, M30)		
0151M00013	GAS VALVE (HW) SINGLE STAGE (M1, M2, M3, M4, M5, M6)		
PCBAG123	IGNITION BOARD, DSI INTEGRATED		
20261709	IGNITOR		
10123532	MANUAL RESET LIMIT 350°F		
11112501	PRESSURE SWITCH		
0130M00063	PRIMARY LIMIT - GOLD 140° (M1, M2, M3, M4, M5, M6)		
0130F00038	PRIMARY LIMIT - LT BLUE 120° (AUX) (M1, M2, M3, M4, M5, M6)		
20162905	PRIMARY LIMIT-YELLOW (M7, M8, M9, M10, M11, M12, M13, M14, M15, M16, M17, M18, M19, M20, M21, M22, M23, M24, M25, M26, M27, M28, M29, M30)		
0130M00038	TERMINAL BOARD		
0130M00138	TRANSFORMER 208/230, 24V (M1, M2, M3, M7, M8, M9, M10, M11, M12, M13, M14, M15, M16, M17, M18, M19)		

Expanded Model Nomenclature

M1 - DCG0360453BXXAAB
M2 - DCG0360453BXXBAB
M3 - DCG0360453BXXXAB
M4 - DCG0360454BJXFAC
M5 - DCG0360454BWXBAC
M6 - DCG0360454BXXXAC
M7 - DCG0360903BAXXAB
M8 - DCG0360903BHXBAB
M9 - DCG0360903BHXBAB
M10 - DCG0360903BHXXAB
M11 - DCG0360903BJSFAB
M12 - DCG0360903BJXBAB
M13 - DCG0360903BJXGAB
M14 - DCG0360903BJXZAB
M15 - DCG0360903BXDXAB
M16 - DCG0360903BXSXAB
M17 - DCG0360903BXXCAB
M18 - DCG0360903BXXDAB
M19 - DCG0360903BXXXAB
M20 - DCG0360904BAXXAC
M21 - DCG0360904BHXSAB
M22 - DCG0360904BHXFAC
M23 - DCG0360904BHXHAC
M24 - DCG0360904BXSXAC
M25 - DCG0360904BXXXAC
M26 - DCG0360907BASXAB
M27 - DCG0360907BAXAAB
M28 - DCG0360907BJSABAB
M29 - DCG0360907BXDXAB
M30 - DCG0360907BXXXAB

Top Panel/Tubing Assy

Image 1

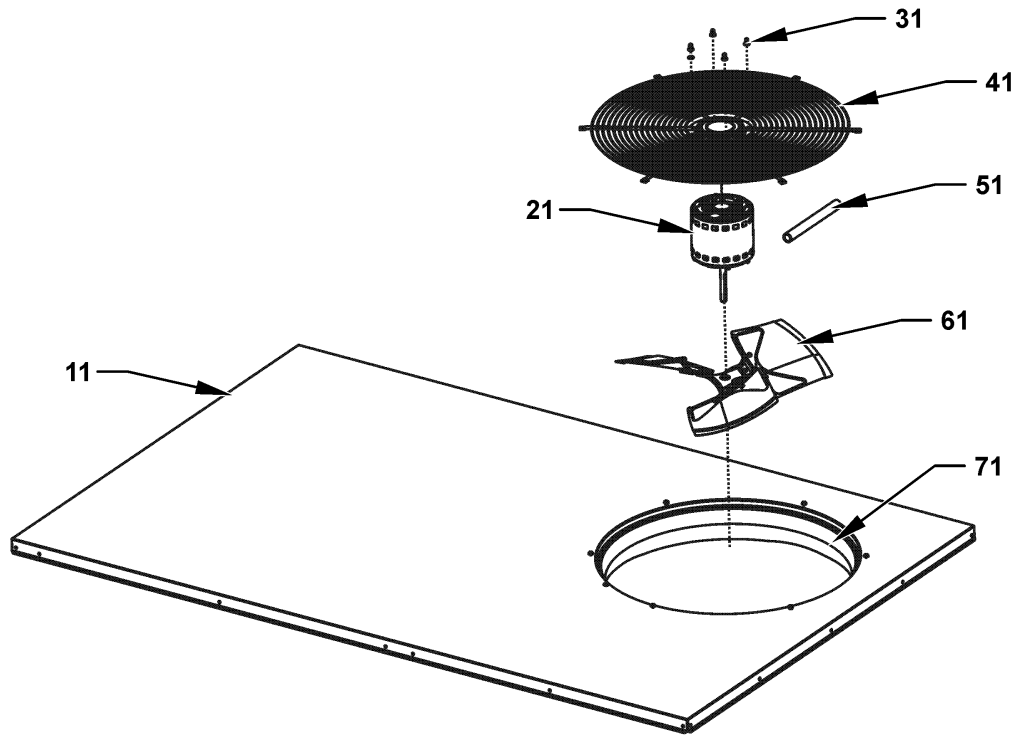
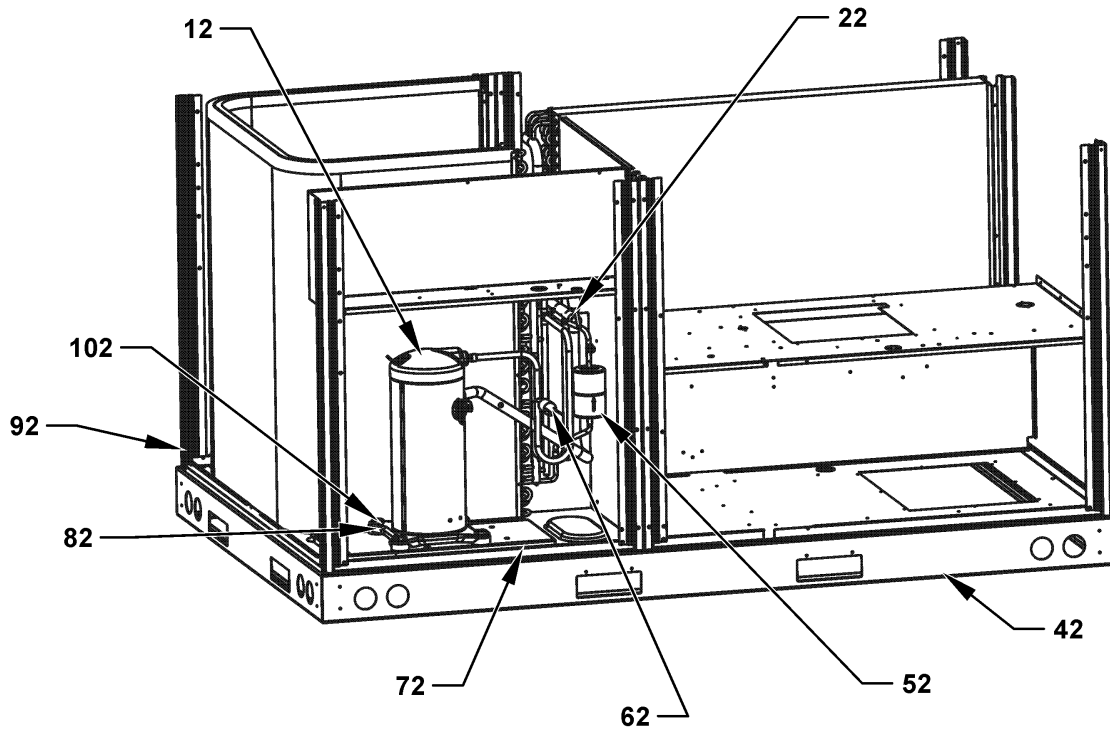


Image 2



Top Panel/Tubing Assy

Ref. Part No: No:	Description:	Ref. Part No: No:	Description:
Image 1:		Expanded Model Nomenclature	
11	0121L00235NG TOP PANEL	M1	- DCG0360453BXXAAB
21	0131M00429 COND MOTOR 1/4 HP, 1 SP,6 PL (M1, M2, M3, M7, M8, M9, M10, M11, M12, M13, M14, M15, M16, M17, M18, M19)	M2	- DCG0360453BXXBAB
21	0131M00432 COND MOTOR 380/460/50/60 CYCLE (M4, M5, M6, M20, M21, M22, M23, M24, M25)	M3	- DCG0360453BXXXAB
21	0131M00431 COND MOTOR 575V (M26, M27, M28, M29, M30)	M4	- DCG0360454BJXFAC
41	0152G00003 FAN GRILLE	M5	- DCG0360454BWXBAC
51	17788000083F PVC CONDUIT 8.25"	M6	- DCG0360454BXXXAC
61	0150G00004 FAN BLADE	M7	- DCG0360903BAXXAB
71	0161L00000 VENTURI RING 22"	M8	- DCG0360903BHXBAB
Image 2:		M9	- DCG0360903BHXBAB
12	ZP31K5ETFE130 COMPRESSOR 31100, 575/60/3 (M26, M27, M28, M29, M30)	M10	- DCG0360903BHXXAB
12	ZP31K5ETF5130 COMPRESSOR 31200, 200/230/60/3 (M1, M2, M3, M7, M8, M9, M10, M11, M12, M13, M14, M15, M16, M17, M18, M19)	M11	- DCG0360903BJSFAB
12	ZP31K5ETFD130 COMPRESSOR 31200, 460/60/3 (M4, M5, M6, M20, M21, M22, M23, M24, M25)	M12	- DCG0360903BJXBAB
22	0130L00007 CUT-OUT SWITCH, LOW PRESSURE	M13	- DCG0360903BJXGAB
42	0121L00244RF SIDE RAIL (QTY 2)	M14	- DCG0360903BJXZAB
52	B1219204 BI-FLOW FILTER DRIER (M26, M27, M28, M29, M30)	M15	- DCG0360903BXDXAB
52	B1219225 SINGLE-FLOW FILTER DRIER, STEEL (M1, M2, M3, M4, M5, M6, M7, M8, M9, M10, M11, M12, M13, M14, M15, M16, M17, M18, M19, M20, M21, M22, M23, M24, M25)	M16	- DCG0360903BXSXAB
62	0130M00209 CUT-OUT SWITCH, HIGH PRESSURE	M17	- DCG0360903BXXCAB
72	0121L00310 COMPRESSOR MOUNTING PLATE	M18	- DCG0360903BXXDAB
82	B1339533 COMPRESSOR GROMMET (QTY 4)	M19	- DCG0360903BXXXAB
92	0121L00245 END RAIL (QTY 2)	M20	- DCG0360904BAXXAC
102	M0221641 TF SHOULDER SCREW (QTY 4)	M21	- DCG0360904BHSBAC
NS	0159L00028 COMPRESSOR SCROLL HARNESS	M22	- DCG0360904BHXFAC
		M23	- DCG0360904BHXHAC
		M24	- DCG0360904BXSXAC
		M25	- DCG0360904BXXXAC
		M26	- DCG0360907BASXAB
		M27	- DCG0360907BAXAAB
		M28	- DCG0360907BJSAB
		M29	- DCG0360907BXDXAB
		M30	- DCG0360907BXXXAB

Cabinet Assy

Image 1

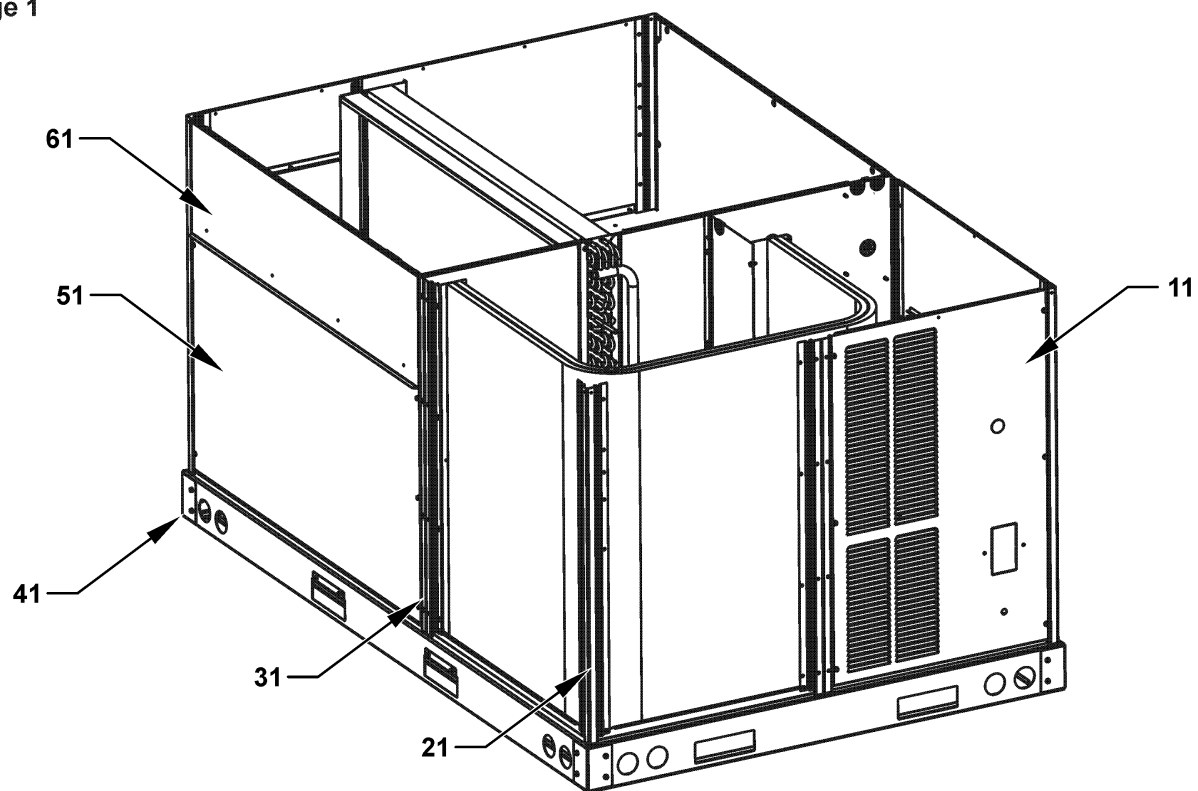
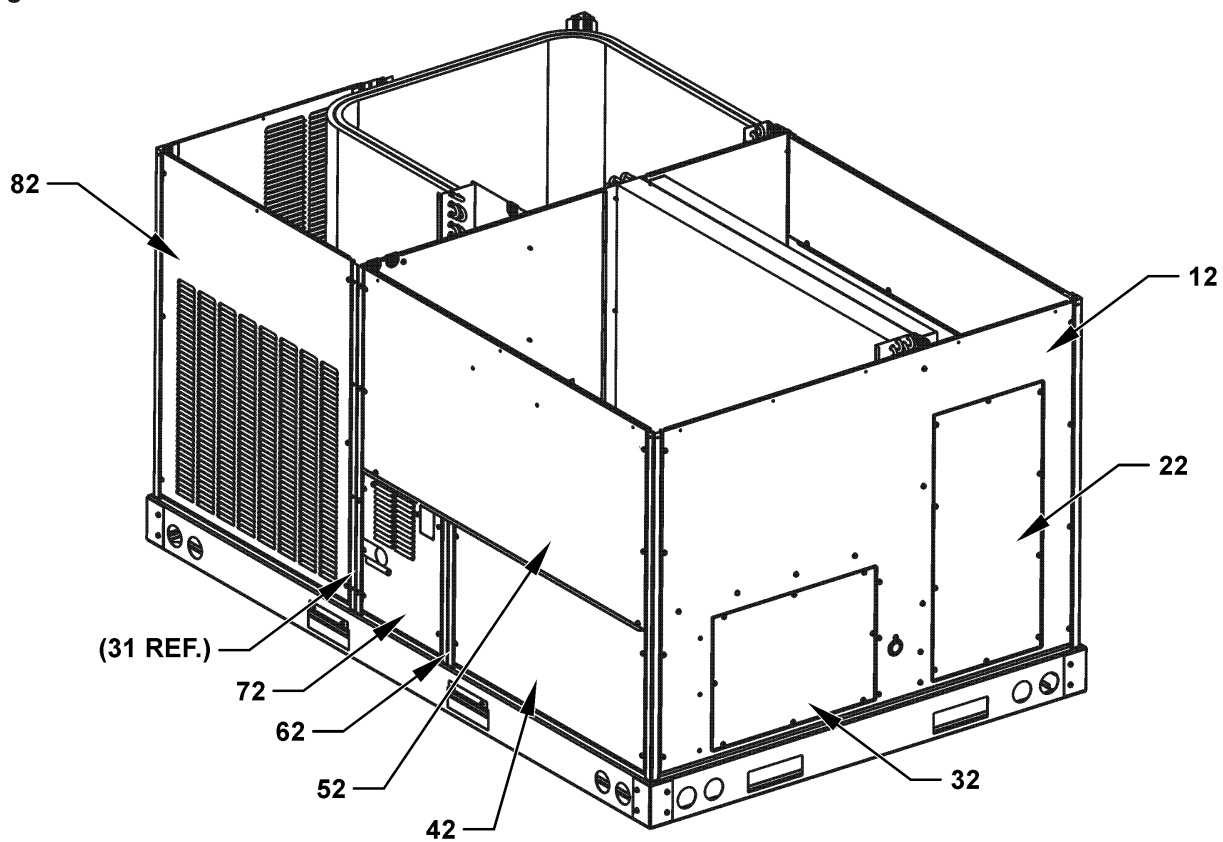


Image 2



Cabinet Assy

Ref. Part No: No:	Description:	Ref. Part No: No:	Description:
Image 1:		Expanded Model Nomenclature	
11	0121L00263NG LOUVERED COMPRESSOR PANEL (M1, M2, M3, M6, M7, M16, M17, M18, M19, M20, M24, M25, M26, M27, M30)	M1 - DCG0360453BXXAAB	
11	0121L01327NG LOUVERED COMPRESSOR PANEL (M15, M29)	M2 - DCG0360453BXXBAB	
11	0121L00836NG LOUVERED COMPRESSOR PANEL DISC (M4, M5, M8, M9, M10, M11, M12, M13, M14, M21, M22, M23, M28)	M3 - DCG0360453BXXXAB	
21	0121L01198RFNG CORNER POST (QTY 4)	M4 - DCG0360454BJXFAC	
21	0121L01375RFNG CORNER POST (M15, M29)	M5 - DCG0360454BWXBAC	
31	0121L00233RFNG POST-SIDE SUPPORT	M6 - DCG0360454BXXXAC	
31	0121L01374RFNG POST-SIDE SUPPORT (M15, M29)	M7 - DCG0360903BAXXAB	
31	0121L01159RFNG RF, Post-Side, Painted 3-5Ton	M8 - DCG0360903BHXBAB	
41	0121G00301 RAIL CORNER BRACKET (QTY 4)	M9 - DCG0360903BHXBAB	
51	0121L00976NG ECONOMIZER DOOR (M1, M2, M3, M5, M6, M8, M9, M10, M15, M16, M17, M18, M19, M21, M22, M23, M24, M25, M29, M30)	M10 - DCG0360903BHXXAB	
61	0270L00362NG FILTER DOOR	M11 - DCG0360903BJSFAB	
NS	0121L01309 ECONOMIZER COVER (M4, M7, M11, M12, M13, M14, M20, M26, M27, M28)	M12 - DCG0360903BJXBAB	
NS	0121L01440NG FLUE COLLAR	M13 - DCG0360903BJXGAB	
NS	0121L01439 RAIN SHIELD-DOOR	M14 - DCG0360903BJXZAB	
Image 2:		M15 - DCG0360903BXDXAB	
12	0121L00236NG DUCT PANEL	M16 - DCG0360903BXSXAB	
22	0121L00023NG RETURN DUCT COVER	M17 - DCG0360903BXXCAB	
32	0121L00024NG SUPPLY DUCT COVER	M18 - DCG0360903BXXDAB	
42	0121L01108NG HEAT EXCHANGER DOOR	M19 - DCG0360903BXXXAB	
52	0121L01157NG BLOWER DOOR	M20 - DCG0360904BAXXAC	
62	0121L01110RFNG BURNER POST	M21 - DCG0360904BHSBAB	
72	0121L01438NG BURNER DOOR, PNT 3-6 TON	M22 - DCG0360904BHXFAC	
82	0121L01121NG LOUVERED CONTROL PANEL	M23 - DCG0360904BHXHAC	
NS	0164L00009 GASKET-RUBBER, CPOST (QTY 3)	M24 - DCG0360904BXSXAC	
NS	0164L00011 GASKET-RUBBER, SIDE POST (QTY 3)	M25 - DCG0360904BXXXAC	
NS	0121L00321 SMOKE DETECTOR COVER	M26 - DCG0360907BASXAB	
		M27 - DCG0360907BAXAAB	
		M28 - DCG0360907BJSBAB	
		M29 - DCG0360907BXDXAB	
		M30 - DCG0360907BXXXAB	

Partition Assy

Image 1

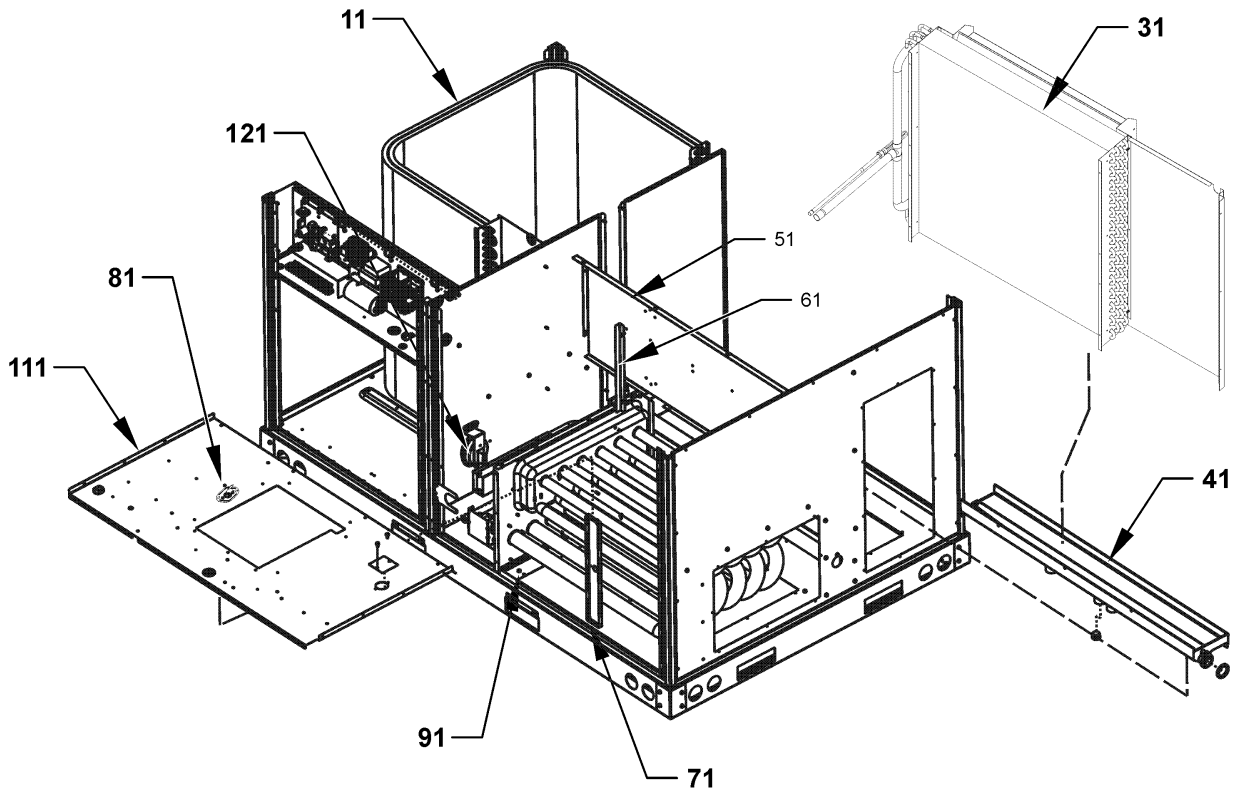
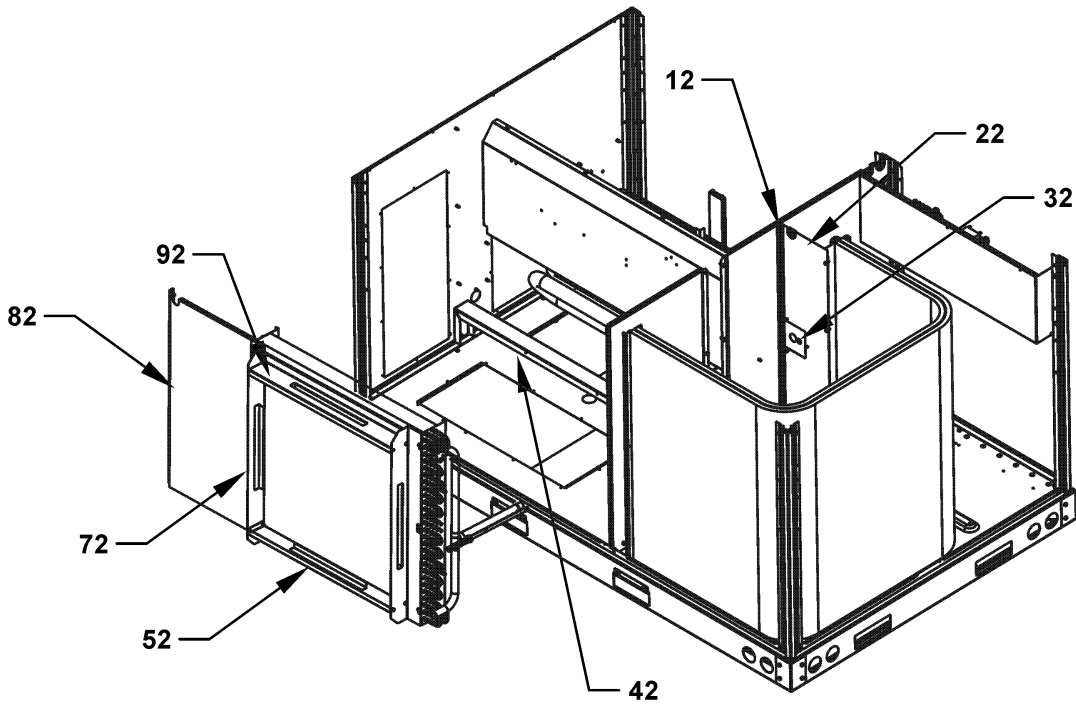


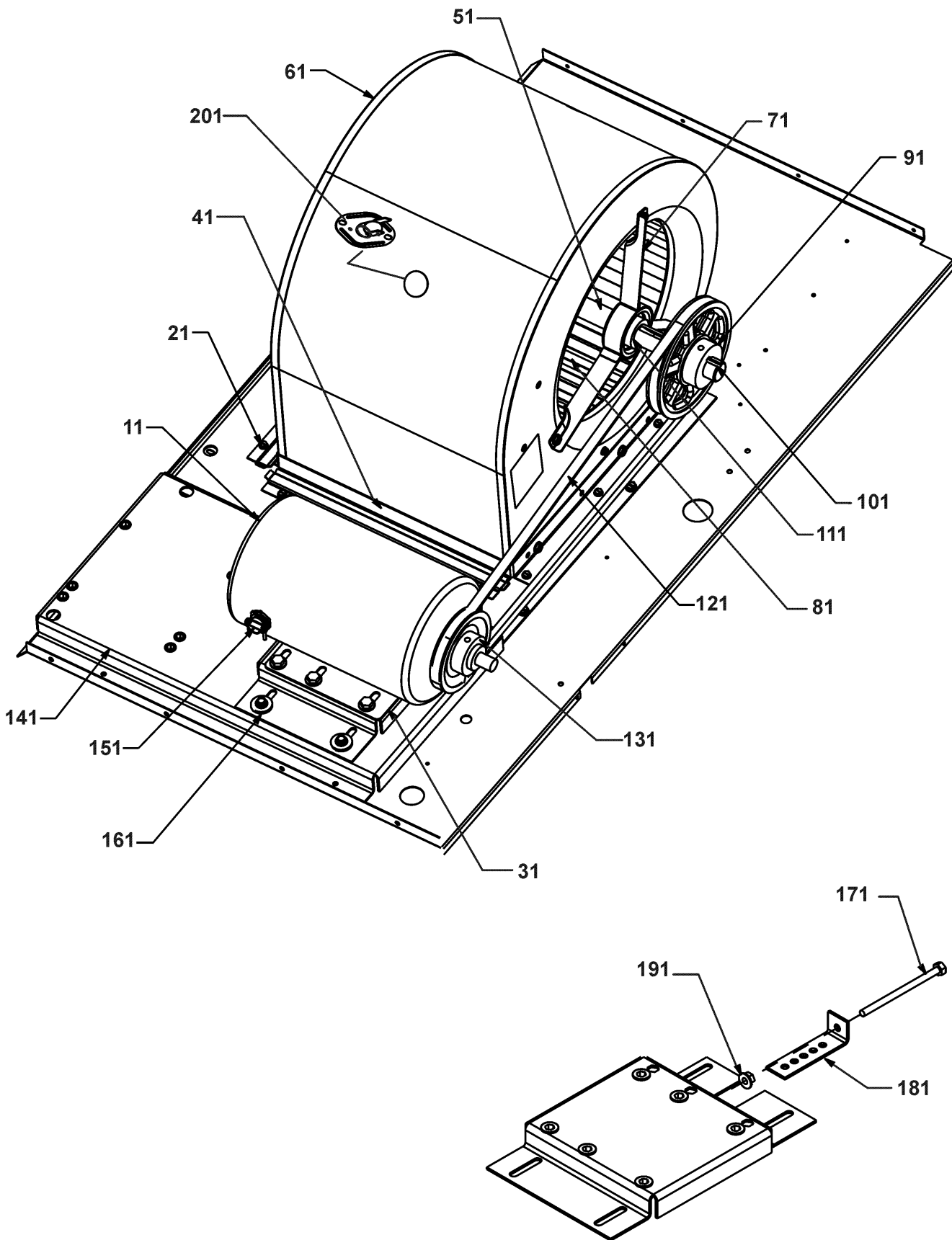
Image 2



Partition Assy

Ref. Part No: No:	Description:	Ref. Part No: No:	Description:
Image 1:		Expanded Model Nomenclature	
11	0201L00036 TUBING ASSY, COND COIL (M1, M2, M3, M4, M5, M6, M7, M8, M9, M10, M11, M12, M13, M14, M15, M16, M17, M18, M19, M20, M21, M22, M23, M24, M25)	M1 - DCG0360453BXXAAB	
11	0201L00048 TUBING ASSY, COND COIL 575V (M26, M27, M28, M29, M30)	M2 - DCG0360453BXXBAB	
31	0202L00024 TUBING ASSY, EVAP COIL	M3 - DCG0360453BXXXAB	
41	0161L00005 DRAIN PAN	M4 - DCG0360454BJXFAC	
51	0121L00243 DECK SIDE CHANNEL (M1, M2, M3, M4, M5, M6, M7, M8, M9, M10, M11, M12, M13, M14, M15, M16, M17, M18, M19, M20, M21, M22, M23, M24, M25)	M5 - DCG0360454BWXBAC	
61	0121L00293 BACK ANGLE-HEAT EXCHANGER (QTY 2)	M6 - DCG0360454BXXXAC	
71	0121L00300 SUPPORT POST-DECK	M7 - DCG0360903BAXXAB	
81	B1370155 AUXILIARY LIMIT SWITCH 120°F (M7, M8, M9, M10, M11, M12, M13, M14, M15, M16, M17, M18, M19, M20, M21, M22, M23, M24, M25, M26, M27, M28, M29, M30)	M8 - DCG0360903BHXBAB	
81	0130M00063 PRIMARY LIMIT - GOLD 140° (M1, M2, M3, M4, M5, M6)	M9 - DCG0360903BHXBAB	
91	0121L00266 HEAT PANEL CHANNEL (QTY 2)	M10 - DCG0360903BHXXAB	
111	0121L01442 BLOWER DECK	M11 - DCG0360903BJSFAB	
121	11112501 PRESSURE SWITCH	M12 - DCG0360903BJXBAB	
NS	0121L01377 BLOWER DECK SUPPORT (M15, M29)	M13 - DCG0360903BJXGAB	
NS	A3468601 PRESSURE SWITCH HOSE	M14 - DCG0360903BJXZAB	
Image 2:		M15 - DCG0360903BXDXAB	
12	0121L00254 COND MOUNTING ANGLE	M16 - DCG0360903BXSXAB	
22	0121L00311 COND BLOCK-OFF (M1, M2, M3, M4, M5, M6, M7, M8, M9, M10, M11, M12, M13, M14, M15, M16, M17, M18, M19, M20, M21, M22, M23, M24, M25)	M17 - DCG0360903BXXCAB	
22	0121L00319 COND BLOCK-OFF (M26, M27, M28, M29, M30)	M18 - DCG0360903BXXDAB	
32	0121L00939 CONDENSER BLOCKOFF PLATE	M19 - DCG0360903BXXXAB	
42	0121L00238 DRAIN PAN SUPPORT	M20 - DCG0360904BAXXAC	
52	0121L00291 FILTER ANGLE-BOTTOM	M21 - DCG0360904BHSBAC	
72	0121L00292 FILTER ANGLE-VERTICAL (QTY 2)	M22 - DCG0360904BHXFAC	
82	0121L00289 EVAP BLOCK-OFF (M1, M2, M3, M4, M5, M6, M7, M8, M9, M10, M11, M12, M15, M16, M17, M19, M20, M21, M22, M23, M24, M25, M26, M27, M28, M29, M30)	M23 - DCG0360904BHXHAC	
82	0121L00335 EVAP BLOCK-OFF (M13, M14, M18)	M24 - DCG0360904BXSXAC	
92	0121L00290 FILTER ANGLE-TOP	M25 - DCG0360904BXXXAC	
NS	0160L00138 Air Filter 24x24x2	M26 - DCG0360907BASXAB	
		M27 - DCG0360907BAXAAB	
		M28 - DCG0360907BJSAB	
		M29 - DCG0360907BXDXAB	
		M30 - DCG0360907BXXXAB	

Belt Drive Assy



Belt Drive Assy

Ref. Part No: No:	Description:	Ref. Part No: No:	Description:
Image 1:		Expanded Model Nomenclature	
11	0131L00003	BELT DRIVE MOTOR 1 HP (M1, M2, M3, M4, M5, M6, M7, M8, M9, M10, M11, M12, M13, M14, M15, M16, M17, M18, M19, M20, M21, M22, M23, M24, M25)	M1 - DCG0360453BXXAAB M2 - DCG0360453BXXBAB M3 - DCG0360453BXXXAB M4 - DCG0360454BJXFAC M5 - DCG0360454BWXBAC M6 - DCG0360454BXXXAC M7 - DCG0360903BAXXAB M8 - DCG0360903BHXBAB M9 - DCG0360903BHXBAB M10 - DCG0360903BHXXAB M11 - DCG0360903BJSFAB M12 - DCG0360903BJXBAB M13 - DCG0360903BJXGAB M14 - DCG0360903BJXZAB M15 - DCG0360903BXDXAB M16 - DCG0360903BXSXAB M17 - DCG0360903BXXCAB M18 - DCG0360903BXXDAB M19 - DCG0360903BXXXAB M20 - DCG0360904BAXXAC M21 - DCG0360904BHSBAC M22 - DCG0360904BHXFAC M23 - DCG0360904BHXHAC M24 - DCG0360904BXSXAC M25 - DCG0360904BXXXAC M26 - DCG0360907BASXAB M27 - DCG0360907BAXAAB M28 - DCG0360907BJSAAAB M29 - DCG0360907BXDXAB M30 - DCG0360907BXXXAB
11	0131L00004	BELT DRIVE MOTOR 1.5 HP 575V (M26, M27, M28, M29, M30)	
21	0121L00297	BLOWER SIDE ANGLE (QTY 3)	
31	0270L00365	MOUNTING PLATE ASSY	
41	0121L00281	BLOWER MOUNTING ANGLE	
51	0163L00005	BELT DRIVE BLOWER SHAFT	
61	2539302F	BLOWER HOUSING 11 X 10	
71	B3201300	MOUNTING BRACKET BEARING (QTY 2)	
81	B1368056	BELT DRIVE BLOWER WHEEL	
91	B2120011	FIXED SHEAVE	
101	B1398604	STEEL KEY (000158812) 2.0"	
111	B1399500	BALL BEARING 1.00" (QTY 2)	
121	0164L00010	FAN BELT, NOTCHED	
131	0163L00024	VARIABLE PITCH SHEAVE 1VL40 X 5/8"	
151	B1393726	ELECT. CONNECTING BUSHING	
161	B1393738	BOLT 1/4-20 X 3/4" (QTY 8)	
171	0163M00045	BOLT 1/4-20 X 4"	
181	3225000F	BELT TIGHTENER ANGLE	
191	B1393023	NUT / LOCK .25-20	
201	0130F00038	PRIMARY LIMIT - LT BLUE 120° (AUX) (M1, M2, M3, M4, M5, M6)	
201	20162905	PRIMARY LIMIT-YELLOW (M7, M8, M9, M10, M11, M12, M13, M14, M15, M16, M17, M18, M19, M20, M21, M22, M23, M24, M25, M26, M27, M28, M29, M30)	
NS	1864703F	BLOWER CUT-OFF	
NS	B1398603	STEEL KEY (000158812) 4.5"	

Heat Exchanger and Control Panel Assy

Image 1

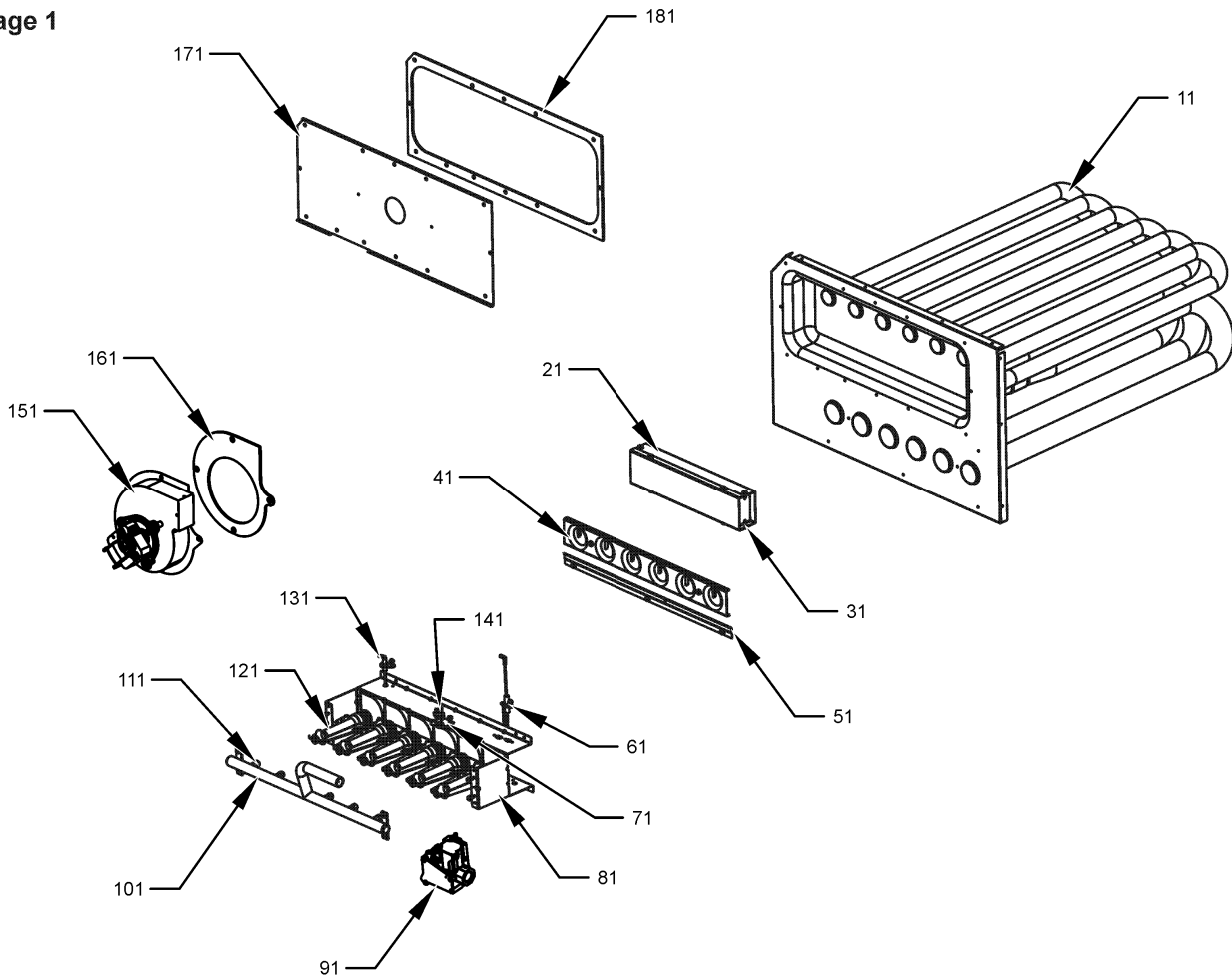
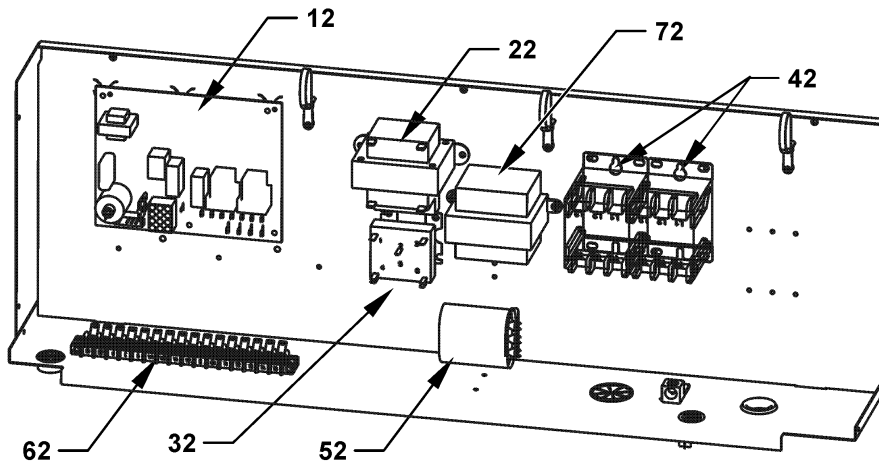


Image 2



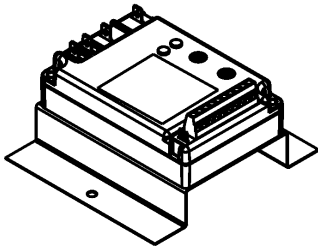
Heat Exchanger and Control Panel Assy

Ref. Part No: No:	Description:	Ref. Part No: No:	Description:
Image 1:		Image 2:	
11	0270L00099 PART/TUBE ASSY 2B (M1, M2, M3, M4, M5, M6)	72	0130M00146 TRANSFORMER 480V TO 230V, 150VA (M4, M5, M6, M20, M21, M22, M23, M24, M25)
11	0270L00092 PART/TUBE ASSY 4B (M7, M8, M9, M10, M12, M13, M14, M15, M17, M18, M19, M20, M22, M23, M25, M27, M29, M30)	72	0130M00147 TRANSFORMER 575V TO 230V, 150VA (M26, M27, M28, M29, M30)
11	0270L00105 PART/TUBE ASSY 4B (M11, M16, M21, M24, M26, M28)	NS	0259L00067 12-PIN MALE PLUG ASSY
21	0121L00277 FLUE CHANNEL	NS	20520901 CAPACITOR STRAP
31	0121L00278 FLUE SIDE COVER	NS	0259L00074 CONTROL HARNESS (M1, M2, M3, M7, M8, M9, M10, M11, M12, M13, M14, M15, M16, M17, M18, M19)
41	11072201 ORIFICE SHIELD (M1, M2, M3, M4, M5, M6)	NS	0259L00075 CONTROL HARNESS (M4, M5, M6, M20, M21, M22, M23, M24, M25, M26, M27, M28, M29, M30)
41	11072203 ORIFICE SHIELD (M7, M8, M9, M10, M11, M12, M13, M14, M15, M16, M17, M18, M19, M20, M21, M22, M23, M24, M25, M26, M27, M28, M29, M30)	NS	0259L00179 HARNESS, ECONOMIZER
51	0121L00267 BURNER SLIDE BRACKET	NS	0259L00054 WIRING HARNESS (M1, M2, M3, M7, M8, M9, M10, M11, M12, M13, M14, M15, M16, M17, M18, M19, M26, M27, M28, M29, M30)
61	20261709 IGNITOR	NS	0259L00060 WIRING HARNESS (M4, M5, M6, M20, M21, M22, M23, M24, M25)
71	0121L00053 FLAME ROLLOUT BRACKET	NS	0259L00065 WIRING HARNESS
81	20190410 BURNER BRACKET 2B (M1, M2, M3, M4, M5, M6)	NS	0259L00069 WIRING HARNESS (M7, M8, M9, M10, M11, M12, M13, M14, M15, M16, M17, M18, M19, M20, M21, M22, M23, M24, M25, M26, M27, M28, M29, M30)
81	20190412 BURNER BRACKET 4B (M7, M8, M9, M10, M11, M12, M13, M14, M15, M16, M17, M18, M19, M20, M21, M22, M23, M24, M25, M26, M27, M28, M29, M30)		
91	0151F00000P GAS VALVE - WHITE-RODGERS 2-STAGE (M7, M8, M9, M10, M11, M12, M13, M14, M15, M16, M17, M18, M19, M20, M21, M22, M23, M24, M25, M26, M27, M28, M29, M30)		
91	0151M00013 GAS VALVE (HW) SINGLE STAGE (M1, M2, M3, M4, M5, M6)		
101	0163L00027 MANIFOLD - 2 BRNR (M1, M2, M3, M4, M5, M6)		
101	0163L00026 MANIFOLD - 4 BRNR (M7, M8, M9, M10, M11, M12, M13, M14, M15, M16, M17, M18, M19, M20, M21, M22, M23, M24, M25, M26, M27, M28, M29, M30)		
111	0163F00018 ORIFICE (QTY 2)		
121	10735102 BECKETT BURNER (QTY 2)		
131	0130F00010 FLAME SENSOR		
141	10123532 MANUAL RESET LIMIT 350°F		
151	0131M00121 ID COMBUSTION BLOWER		
161	0154L00020 ID BLOWER GASKET		
171	0121L00285 ID BLOWER PLATE 2 BRNR (M1, M2, M3, M4, M5, M6)		
171	0121L00284 ID BLOWER PLATE 4 BRNR (M7, M8, M9, M10, M11, M12, M13, M14, M15, M16, M17, M18, M19, M20, M21, M22, M23, M24, M25, M26, M27, M28, M29, M30)		
181	0154L00018 ID BLOWER PLATE GASKET 4 BRNR		
NS	0163L00072 SCREEN-FLUE		
Image 2:		Expanded Model Nomenclature	
12	PCBAG123 IGNITION BOARD, DSI INTEGRATED	M1	- DCG0360453BXXAAB
22	0130M00138 TRANSFORMER 208/230, 24V (M1, M2, M3, M7, M8, M9, M10, M11, M12, M13, M14, M15, M16, M17, M18, M19)	M2	- DCG0360453BXXBAB
22	0130M00145 TRANSFORMER 480V to 24V, 75VA (M4, M5, M6, M20, M21, M22, M23, M24, M25)	M3	- DCG0360453BXXAB
22	0130M00148 TRANSFORMER 575V to 24V, 75VA (M26, M27, M28, M29, M30)	M4	- DCG0360454BJXFAC
32	0130M00025 24V RELAY	M5	- DCG0360454BWXBAC
42	CONT3P025024V CONTACTOR 25 AMP, 3P, 24V (M4, M5, M6, M20, M21, M22, M23, M24, M25, M26, M27, M28, M29, M30)	M6	- DCG0360454BXXXAC
42	CONT3P030024V CONTACTOR 30 AMP, 3P, 24V (M1, M2, M3, M7, M8, M9, M10, M11, M12, M13, M14, M15, M16, M17, M18, M19)	M7	- DCG0360903BAXXAB
52	CAP030000440LA CAPACITOR 3/440V (M26, M27, M28, M29, M30)	M8	- DCG0360903BHXBAB
52	CAP050000370LA CAPACITOR 5/370V (M1, M2, M3, M7, M8, M9, M10, M11, M12, M13, M14, M15, M16, M17, M18, M19)	M9	- DCG0360903BHXBAB
52	CAP075000370LA CAPACITOR 7.5/370V (M4, M5, M6, M20, M21, M22, M23, M24, M25)	M10	- DCG0360903BHXXAB
62	0130M00038 TERMINAL BOARD	M11	- DCG0360903BJSFAB
		M12	- DCG0360903BJXBAB
		M13	- DCG0360903BJXGAB
		M14	- DCG0360903BJXZAB
		M15	- DCG0360903BXDXAB
		M16	- DCG0360903BXSXAB
		M17	- DCG0360903BXXCAB
		M18	- DCG0360903BXXDAB
		M19	- DCG0360903BXXXAB
		M20	- DCG0360904BAXXAC
		M21	- DCG0360904BHSBAC
		M22	- DCG0360904BHXFAC
		M23	- DCG0360904BHXHAC
		M24	- DCG0360904BXSXAC
		M25	- DCG0360904BXXXAC
		M26	- DCG0360907BASXAB
		M27	- DCG0360907BAXAAB
		M28	- DCG0360907BJSABAB
		M29	- DCG0360907BXDXAB
		M30	- DCG0360907BXXXAB

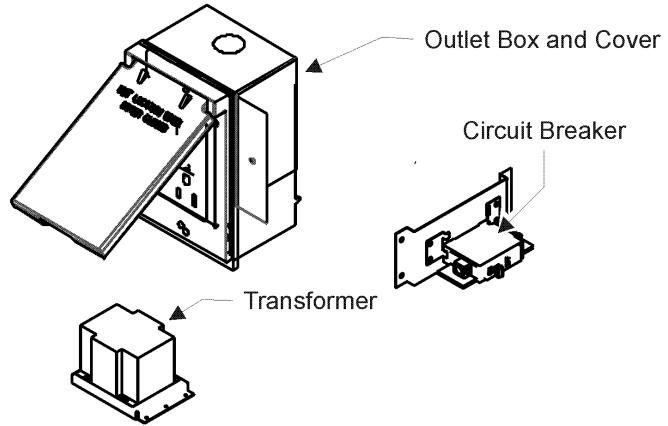
ACCESSORY PARTS LIST

NOTE: NOT ALL OPTIONS AVAILABLE FOR ALL PRODUCTS

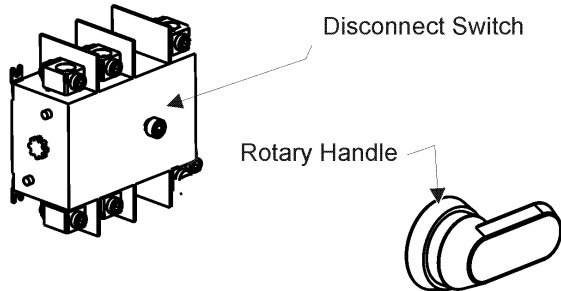
LOW AMBIENT KITS



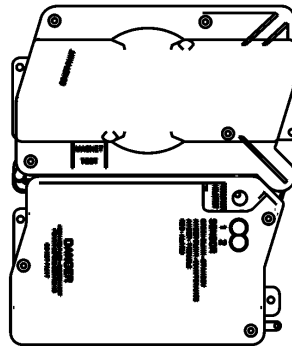
GFCI CONVENIENCE OUTLET



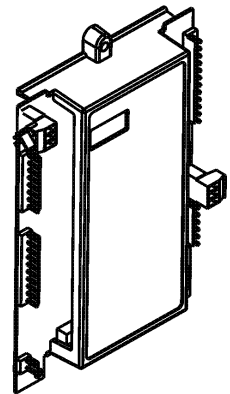
DISCONNECT MODULE (NON-FUSED)



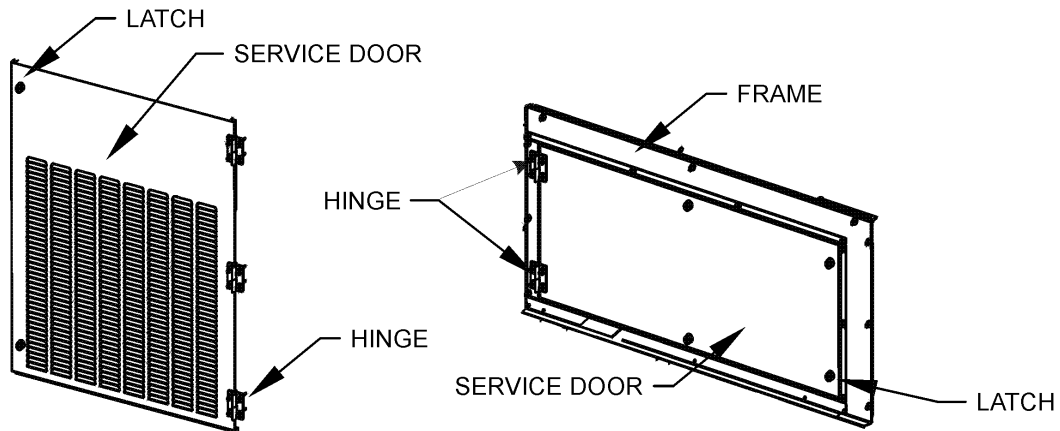
SMOKE DETECTORS



DDC CONTROL



HINGED DOOR ASSEMBLIES



Accessory Parts List

Ref. Part No: No:	Description:	Ref. Part No: No:	Description:
<i>Image 1:</i>		Expanded Model Nomenclature	
NS 0121L01373NG	BLOWER DOOR FRAME (M15, M29)	M1 - DCG0360453BXXAAB	
NS 0121L01371NG	BLOWER SERVICE DOOR, BACK (M15, M29)	M2 - DCG0360453BXXBAB	
NS 0121L01370NG	BLOWER SERVICE DOOR, FRONT (M15, M29)	M3 - DCG0360453BXXXAB	
NS 0121L00316	BRACKET-CONV OUTLET MOUNT (M1, M2, M4, M5, M8, M9, M11, M12, M13, M21, M22, M23, M27, M28)	M4 - DCG0360454BJXFAC	
NS 0121L00332	BRACKET-SMOKE DETECTOR (M14, M23)	M5 - DCG0360454BWXBAC	
NS 0130M00065	CIRCUIT BREAKER, CONVENIENCE OUTLET (M2, M5, M8, M9, M12, M21)	M6 - DCG0360454BXXXAC	
NS 0121L00837NG	DISCONNECT COVER (M4, M5, M8, M9, M10, M11, M12, M13, M14, M21, M22, M23, M28)	M7 - DCG0360903BAXXAB	
NS 0130L00012	GANG BOX-GFCI OUTLET (M1, M2, M4, M5, M8, M9, M11, M12, M13, M21, M22, M23, M27, M28)	M8 - DCG0360903BHXBAB	
NS 0130L00039	HANDLE, ROTARY (M4, M5, M8, M9, M10, M11, M12, M13, M14, M21, M22, M23, M28)	M9 - DCG0360903BHXBAB	
NS 0163M00307	HINGE, LEFT HAND (M15, M29)	M10 - DCG0360903BHXAB	
NS 0163M00308	HINGE, RIGHT HAND (M15, M29)	M11 - DCG0360903BJSFAB	
NS 0163M00322	LATCH (M15, M29)	M12 - DCG0360903BJXBAB	
NS 0121L01327NG	LOUVERED CP SERVICE DOOR (M15, M29)	M13 - DCG0360903BJXGAB	
NS LAKT01	LOW AMBIENT KIT (M4, M9, M11, M17, M22)	M14 - DCG0360903BJXZAB	
NS 0161G00012	POWER OUTLET BOX (M1, M2, M4, M5, M8, M9, M11, M12, M13, M21, M22, M23, M27, M28)	M15 - DCG0360903BXDXAB	
NS 0130L00103	RECEPTACLE-GFCI OUTLET (M1, M2, M4, M5, M8, M9, M11, M12, M13, M21, M22, M23, M27, M28)	M16 - DCG0360903BXSAB	
NS 0130L00042	SHAFT, CUT (M4, M5, M8, M9, M10, M11, M12, M13, M14, M21, M22, M23, M28)	M17 - DCG0360903BXXCAB	
NS 0130L00049	SHAFT, DISCONNECT (M4, M5, M8, M9, M10, M11, M12, M13, M14, M21, M22, M23, M28)	M18 - DCG0360903BXXDAB	
NS D4120	SMOKE DETECTOR, PHOTO 4WIRE (M14, M23)	M19 - DCG0360903BXXXAB	
NS D4S	SMOKE DETECTOR, SENSOR ONLY (M14)	M20 - DCG0360904BAXXAC	
NS 0130L00046	SWITCH-DISCONNECT 60A (M4, M5, M8, M9, M10, M11, M12, M13, M14, M21, M22, M23, M28)	M21 - DCG0360904BHSBAC	
NS 0130M00061	TRANSFORMER, CONVENIENCE OUTLET (M2, M5, M8, M9, M12, M21)	M22 - DCG0360904BHXFAC	
		M23 - DCG0360904BHXHAC	
		M24 - DCG0360904BXSAC	
		M25 - DCG0360904BXXXAC	
		M26 - DCG0360907BASXAB	
		M27 - DCG0360907BAXAAB	
		M28 - DCG0360907BJSAB	
		M29 - DCG0360907BXDXAB	
		M30 - DCG0360907BXXXAB	