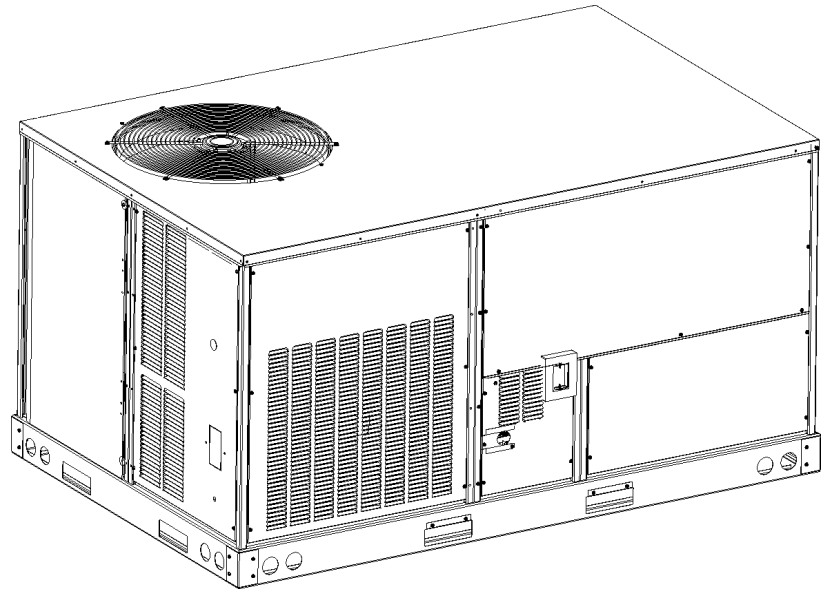


Commercial 3 Ton Direct Drive Package Gas Units

DCG0360451DAXCAA
DCG0360451DXXXAA
DCG0360451DXXXAB
DCG0360453DAXXAA
DCG0360453DXSXAB
DCG0360453DXXAAB
DCG0360453DXXGAB
DCG0360453DXXXAA
DCG0360453DXXXAB
DCG0360901DHSAAA
DCG0360901DXSAAA
DCG0360901DXSXAA
DCG0360901DXXAAA
DCG0360901DXXHAA
DCG0360901DXXXAA
DCG0360901DXXXAB
DCG0360903DJSNAB
DCG0360903DXDXAB
DCG0360903DXSXAB
DCG0360903DXSZAA
DCG0360903DXXBAB
DCG0360903DXXXAA
DCG0360903DXXXAB



This manual is to be used by qualified technicians only.

This manual replaces RP-D1000J.

© 2013 - 2016 **DAIKIN COMPANY, L.P.** ♦ 5151 San Felipe St., Suite 500 ♦ Houston, TX 77056

Important Information

Index

Functional Parts List	3
Illustration and Parts	4 - 15

Views shown are for parts illustrations only, not servicing procedures

Text Codes:

AR - As Required

NA - Not Available

NS - Not Shown

00000000 - See Note

QTY - Quantity Example (QTY 3) (If Quantity not shown, Quantity = 1)

M - Model Example (M1) (If M Code not shown, then part is used on all Models)

Expanded Model Nomenclature:

Example M1 - Model#1 M2 - Model#2 M3 - Model#3

Daikin Company, L.P. is not responsible for personal injury or property damage resulting from improper service. Review all service information before beginning repairs.

Warranty service must be performed by an authorized technician, using authorized factory parts. If service is required after the warranty expires, Daikin Company, L.P. also recommends contacting an authorized technician and using authorized factory parts.

Daikin Company, L.P. reserves the right to discontinue, or change at any time, specifications or designs without notice or without incurring obligations.

For assistance within the U.S.A. contact:

Homeowner Support
Daikin North America, LLC
19001 Kermier Road
Waller, Texas 77484
855-770-5678-Telephone
713-863-2382-Facsimile

For assistance outside the U.S.A. contact:

International Division
Daikin North America, LLC
19001 Kermier Road
Waller, Texas 77484
713-861-2500-Telephone
713-863-2382-Facsimile

Functional Parts

Part

No: Description:

Part No:	Description:	Expanded Model Nomenclature
B1370155	AUXILIARY LIMIT SWITCH 120°F (M10, M11, M12, M13, M14, M15, M16, M17, M18, M19, M20, M21, M22, M23)	M1 - DCG0360451DAXCAA M2 - DCG0360451DXXXAA
20269903	AUXILIARY LIMIT, AUTO RESET (M10, M11, M12, M13, M14, M15, M16, M17, M18, M19, M20, M21, M22, M23)	M3 - DCG0360451DXXXAB M4 - DCG0360453DAXXAA
10735102	BECKETT BURNER (QTY 2)	M5 - DCG0360453DXSXAB
0131M00126	BLOWER MOTOR	M6 - DCG0360453DXXAAB
D6723303	BLOWER WHEEL	M7 - DCG0360453DXXGAB
CAP100000370LA	CAPACITOR 10/370V	M8 - DCG0360453DXXXAA
CAP050000370LA	CAPACITOR 5/370V (M4, M5, M6, M7, M8, M9, M17, M18, M19, M20, M21, M22, M23)	M9 - DCG0360453DXXXAB
CAP050450440CT	CAPACITOR 5/45/440V/DUAL RD (M1, M2, M3, M10, M11, M12, M13, M14, M15, M16)	M10 - DCG0360901DHSAAA
ZP31K5EPFV130	COMPRESSOR 31100, 208/230/60/1 (M1, M2, M3, M10, M11, M12, M13, M14, M15, M16)	M11 - DCG0360901DXSAAA
ZP31K5ETF5130	COMPRESSOR 31200, 200/230/60/3 (M4, M5, M6, M7, M8, M9, M17, M18, M19, M20, M21, M22, M23)	M12 - DCG0360901DXSXAA
0131M00429	COND MOTOR 1/4 HP, 1 SP, 6 PL	M13 - DCG0360901DXXAAA
CONT3P025024V	CONTACTOR 25 AMP, 3P, 24V (M4, M5, M6, M7, M8, M9, M17, M18, M19, M20, M21, M22, M23)	M14 - DCG0360901DXXHAA
CONT1P030024V	CONTACTOR 30 AMP, 1P, 24V (M1, M2, M3, M10, M11, M12, M13, M14, M15, M16)	M15 - DCG0360901DXXXAA
0130M00209	CUT-OUT SWITCH, HIGH PRESSURE	M16 - DCG0360901DXXXAB
0130L00007	CUT-OUT SWITCH, LOW PRESSURE	M17 - DCG0360903DJSNAB
0150G00004	FAN BLADE	M18 - DCG0360903DXDXAB
0130F00010	FLAME SENSOR	M19 - DCG0360903DXSXAB
0151F00000P	GAS VALVE - WHITE-RODGERS 2-STAGE (M10, M11, M12, M13, M14, M15, M16, M17, M18, M19, M20, M21, M22, M23)	M20 - DCG0360903DXSZAA
0151M00013	GAS VALVE (HW) SINGLE STAGE (M1, M2, M3, M4, M5, M6, M7, M8, M9)	M21 - DCG0360903DXXBAB
PCBAG123	IGNITION BOARD, DSI INTEGRATED	M22 - DCG0360903DXXXAA
20261709	IGNITOR	M23 - DCG0360903DXXXAB
0130M00064	LIMIT (M1, M2, M3, M4, M5, M6, M7, M8, M9)	
10123532	MANUAL RESET LIMIT 350°F	
11112501	PRESSURE SWITCH	
0130M00063	PRIMARY LIMIT - GOLD 140° (M1, M2, M3, M4, M5, M6, M7, M8, M9)	
0130M00138	TRANSFORMER 208/230, 24V	

Top Panel and Tubing Assembly

IMAGE 1

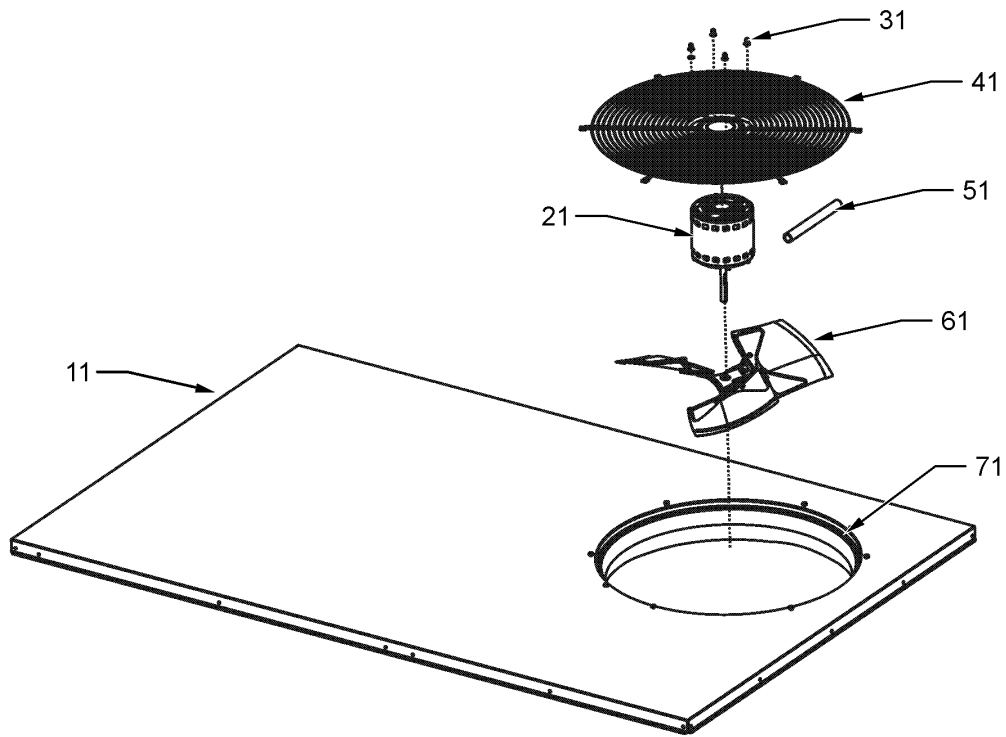
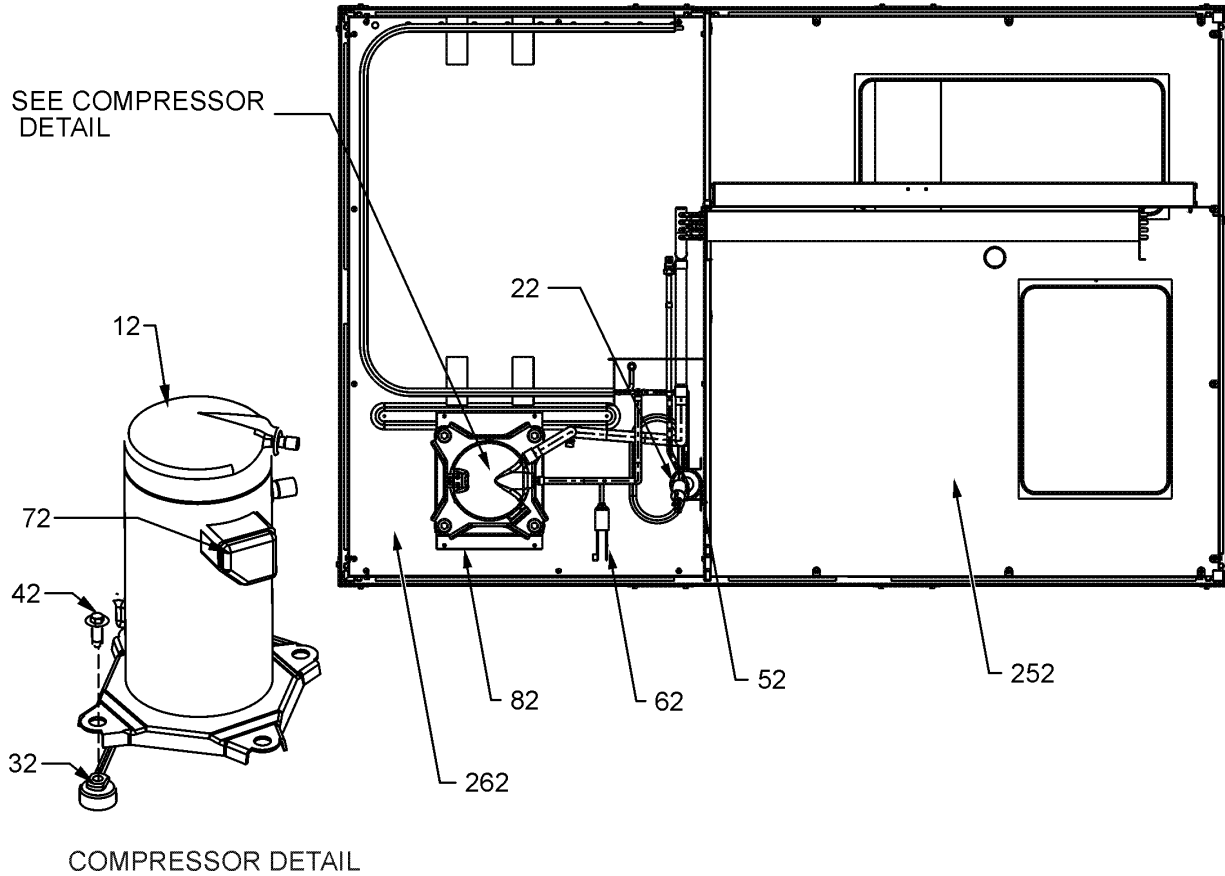


IMAGE 2



Top Panel and Tubing Assembly

Ref. Part No: No:	Description:	Ref. Part No: No:	Description:
-------------------	--------------	-------------------	--------------

Image 1:

11	0121L00235NG	TOP PANEL
21	0131M00429	COND MOTOR 1/4 HP, 1 SP,6 PL
31	0163M00006P	ACORN NUT 5/16 HEX BLACK (QTY 4)
41	0152G00003	FAN GRILLE
51	17788000083F	PVC CONDUIT 8.25"
61	0150G00004	FAN BLADE
71	0161L00000	VENTURI RING 22"
NS	0163M00004	SCREW #10X3/4", BLACK (QTY 18)
NS	0163M00005P	WASHER, BLACK (.50 OD .218ID) (QTY 4)

Image 2:

12	ZP31K5EPFV130	COMPRESSOR 31100, 208/230/60/1 (M1, M2, M3, M10, M11, M12, M13, M14, M15, M16)
12	ZP31K5ETF5130	COMPRESSOR 31200, 200/230/60/3 (M4, M5, M6, M7, M8, M9, M17, M18, M19, M20, M21, M22, M23)
22	0130L00007	CUT-OUT SWITCH, LOW PRESSURE
32	B1339533	COMPRESSOR GROMMET (QTY 4)
42	M0221641	TF SHOULDER SCREW (QTY 4)
52	B1219225	SINGLE-FLOW FILTER DRIER, STEEL
62	0130M00209	CUT-OUT SWITCH, HIGH PRESSURE
72	0159L00027	COMPRESSOR SCROLL HARNESS (M1, M2, M3, M10, M11, M12, M13, M14, M15, M16)
72	0159L00065	COMPRESSOR SCROLL HARNESS (M4, M5, M6, M7, M8, M9, M17, M18, M19, M20, M21, M22, M23)
82	0121L00310	COMPRESSOR MOUNTING PLATE
252	0121L00943	BASE PAN - INDOOR
262	0121L01307	BASE PAN - OUTDOOR

Expanded Model Nomenclature

M1 - DCG0360451DAXCAA
M2 - DCG0360451DXXXAA
M3 - DCG0360451DXXXAB
M4 - DCG0360453DAXXAA
M5 - DCG0360453DXSXAB
M6 - DCG0360453DXXAAB
M7 - DCG0360453DXXGAB
M8 - DCG0360453DXXXAA
M9 - DCG0360453DXXXAB
M10 - DCG0360901DHSAAA
M11 - DCG0360901DXSAAA
M12 - DCG0360901DXSXAA
M13 - DCG0360901DXXAAA
M14 - DCG0360901DXXHAA
M15 - DCG0360901DXXXAA
M16 - DCG0360901DXXXAB
M17 - DCG0360903DJSNAB
M18 - DCG0360903DXDXAB
M19 - DCG0360903DXSXAB
M20 - DCG0360903DXSZAA
M21 - DCG0360903DXXBAB
M22 - DCG0360903DXXXAA
M23 - DCG0360903DXXXAB

Cabinet Assembly

IMAGE 1

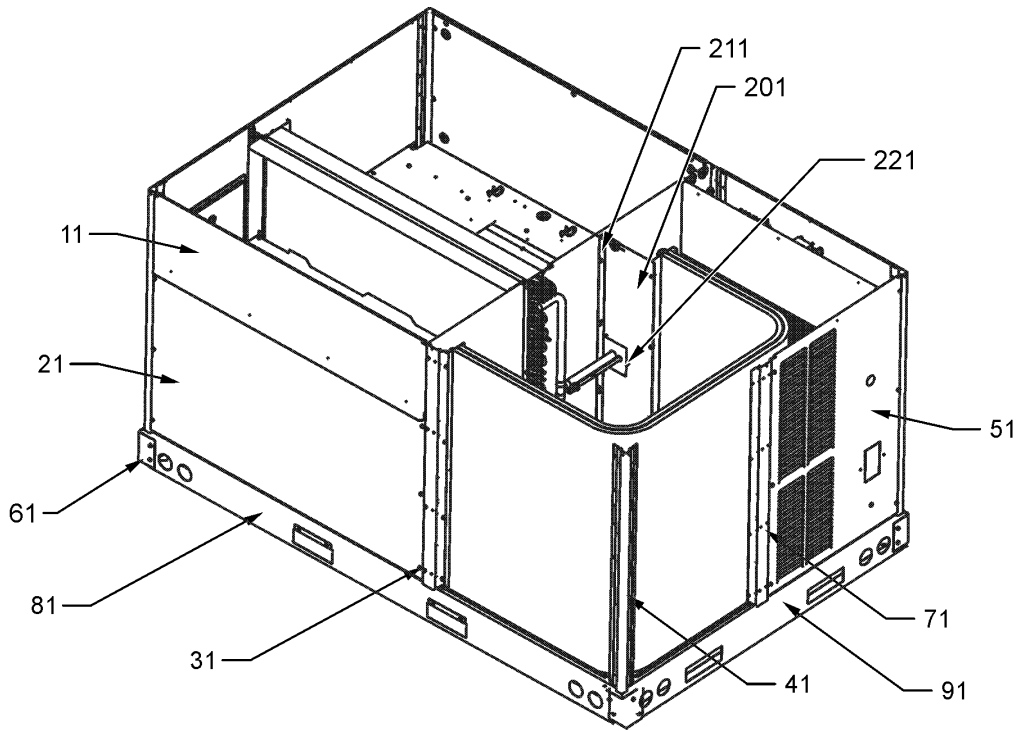
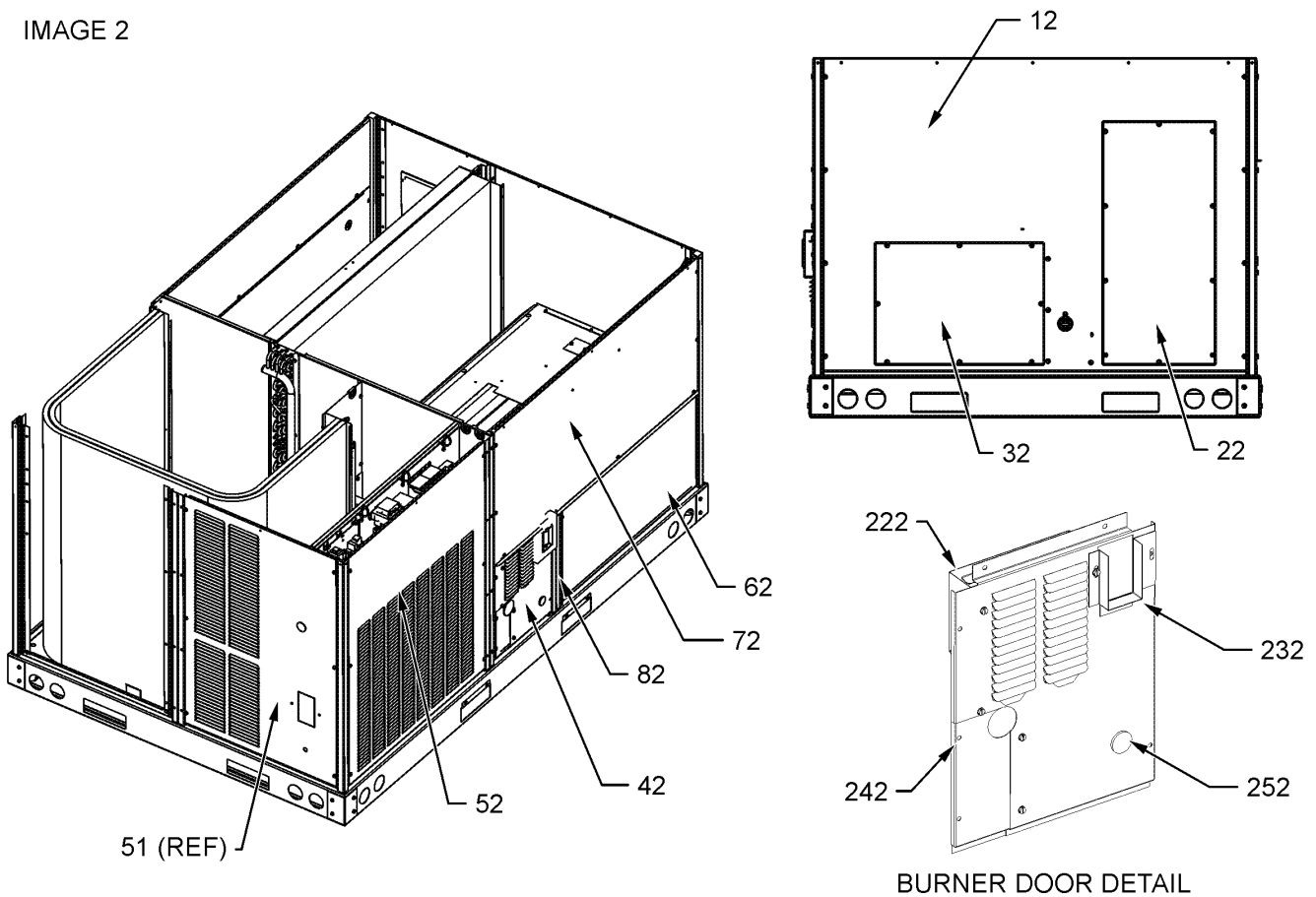


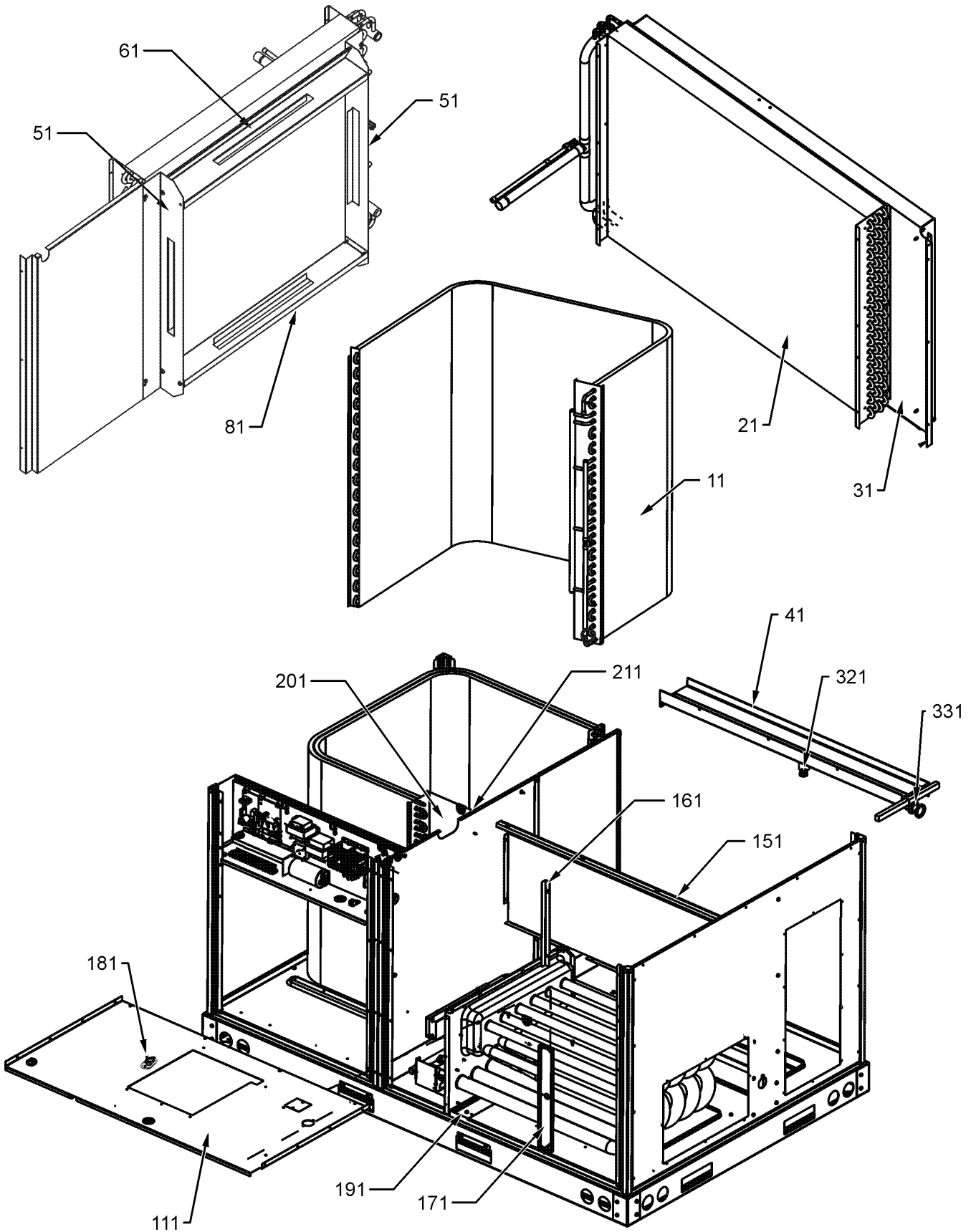
IMAGE 2



Cabinet Assembly

Ref. Part No: No:	Description:	Ref. Part No: No:	Description:																							
Image 1:		Image 2:																								
11	0270L00362NG FILTER DOOR	242	0121L01441NG BURNER DOOR PANEL (M3, M5, M6, M7, M9, M16, M17, M18, M19, M21, M23)																							
21	0121L00976NG ECONOMIZER DOOR (M2, M3, M5, M6, M7, M8, M9, M10, M11, M12, M13, M14, M15, M16, M18, M19, M20, M21, M22, M23)	252	B1392139 VIEW PORT BUSHING-BLOWER DOOR																							
31	0121L00233RFNG POST-SIDE SUPPORT (QTY 3)	NS	0141L00003X FORK BOARD (QTY 2)																							
31	0121L01374RFNG POST-SIDE SUPPORT (M18)	NS	0121L00055 FORK BOARD BRACKET (QTY 4)																							
41	0121L00237RFNG CORNER POST (QTY 4)	NS	B1910012 GAS LINE GROMMET																							
41	0121L01375RFNG CORNER POST (M18)	Expanded Model Nomenclature																								
51	0121L00263NG LOUVERED COMPRESSOR PANEL (M1, M2, M3, M4, M5, M6, M7, M8, M9, M11, M12, M13, M14, M15, M16, M18, M19, M20, M21, M22, M23)	<table border="1"> <tr><td>M1 - DCG0360451DAXCAA</td></tr> <tr><td>M2 - DCG0360451DXXXAA</td></tr> <tr><td>M3 - DCG0360451DXXXAB</td></tr> <tr><td>M4 - DCG0360453DAXXAA</td></tr> <tr><td>M5 - DCG0360453DXSXAB</td></tr> <tr><td>M6 - DCG0360453DXXAAB</td></tr> <tr><td>M7 - DCG0360453DXXGAB</td></tr> <tr><td>M8 - DCG0360453DXXXAA</td></tr> <tr><td>M9 - DCG0360453DXXXAB</td></tr> <tr><td>M10 - DCG0360901DHSAAA</td></tr> <tr><td>M11 - DCG0360901DXSAAA</td></tr> <tr><td>M12 - DCG0360901DXSXAA</td></tr> <tr><td>M13 - DCG0360901DXXAAA</td></tr> <tr><td>M14 - DCG0360901DXXHAA</td></tr> <tr><td>M15 - DCG0360901DXXXAA</td></tr> <tr><td>M16 - DCG0360901DXXXAB</td></tr> <tr><td>M17 - DCG0360903DJSNAB</td></tr> <tr><td>M18 - DCG0360903DXDXAB</td></tr> <tr><td>M19 - DCG0360903DXSXAB</td></tr> <tr><td>M20 - DCG0360903DXSZAA</td></tr> <tr><td>M21 - DCG0360903DXXBAB</td></tr> <tr><td>M22 - DCG0360903DXXXAA</td></tr> <tr><td>M23 - DCG0360903DXXXAB</td></tr> </table>		M1 - DCG0360451DAXCAA	M2 - DCG0360451DXXXAA	M3 - DCG0360451DXXXAB	M4 - DCG0360453DAXXAA	M5 - DCG0360453DXSXAB	M6 - DCG0360453DXXAAB	M7 - DCG0360453DXXGAB	M8 - DCG0360453DXXXAA	M9 - DCG0360453DXXXAB	M10 - DCG0360901DHSAAA	M11 - DCG0360901DXSAAA	M12 - DCG0360901DXSXAA	M13 - DCG0360901DXXAAA	M14 - DCG0360901DXXHAA	M15 - DCG0360901DXXXAA	M16 - DCG0360901DXXXAB	M17 - DCG0360903DJSNAB	M18 - DCG0360903DXDXAB	M19 - DCG0360903DXSXAB	M20 - DCG0360903DXSZAA	M21 - DCG0360903DXXBAB	M22 - DCG0360903DXXXAA	M23 - DCG0360903DXXXAB
M1 - DCG0360451DAXCAA																										
M2 - DCG0360451DXXXAA																										
M3 - DCG0360451DXXXAB																										
M4 - DCG0360453DAXXAA																										
M5 - DCG0360453DXSXAB																										
M6 - DCG0360453DXXAAB																										
M7 - DCG0360453DXXGAB																										
M8 - DCG0360453DXXXAA																										
M9 - DCG0360453DXXXAB																										
M10 - DCG0360901DHSAAA																										
M11 - DCG0360901DXSAAA																										
M12 - DCG0360901DXSXAA																										
M13 - DCG0360901DXXAAA																										
M14 - DCG0360901DXXHAA																										
M15 - DCG0360901DXXXAA																										
M16 - DCG0360901DXXXAB																										
M17 - DCG0360903DJSNAB																										
M18 - DCG0360903DXDXAB																										
M19 - DCG0360903DXSXAB																										
M20 - DCG0360903DXSZAA																										
M21 - DCG0360903DXXBAB																										
M22 - DCG0360903DXXXAA																										
M23 - DCG0360903DXXXAB																										
51	0121L00836NG LOUVERED COMPRESSOR PANEL (M10, M17)																									
61	0121G00301 RAIL CORNER BRACKET (QTY 4)																									
71	0121L00233RFNG POST-SIDE SUPPORT (QTY 3)																									
71	0121L01159RFNG RF, Post-Side, Painted 3-5Ton (M3, M5, M6, M7, M9, M16, M17, M18, M19, M21, M23)																									
81	0121L00244RF SIDE RAIL (QTY 2)																									
91	0121L00245 END RAIL (QTY 2)																									
201	0121L00311 COND BLOCK-OFF																									
211	0121L00254 COND MOUNTING ANGLE																									
221	0121L00939 CONDENSER BLOCKOFF PLATE																									
NS	0121L01309 ECONOMIZER COVER (M1, M4, M17)																									
NS	0164L00009 GASKET-RUBBER, CPOST (QTY 3)																									
NS	0164L00011 GASKET-RUBBER, SIDE POST (QTY 4)																									
Image 2:																										
12	0121L00236NG DUCT PANEL																									
22	0121L00023NG RETURN DUCT COVER																									
32	0121L00024NG SUPPLY DUCT COVER																									
42	0121L00706NG BURNER DOOR (M1, M2, M4, M8, M10, M11, M12, M13, M14, M15, M20, M22)																									
42	0121L01438NG BURNER DOOR (M3, M5, M6, M7, M9, M16, M17, M18, M19, M21, M23)																									
52	0121L00262NG LOUVERED CONTROL PANEL (M1, M2, M4, M8, M10, M11, M12, M13, M14, M15, M20, M22)																									
52	0121L01121NG LOUVERED CONTROL PANEL (M3, M5, M6, M7, M9, M16, M17, M19, M21, M23)																									
52	0121L01327NG LOUVERED CONTROL PANEL (M18)																									
62	0121L00257NG HEAT EXCHANGER DOOR (M1, M2, M4, M8, M10, M11, M12, M13, M14, M15, M20, M22)																									
62	0121L01108NG HEAT EXCHANGER DOOR (M3, M5, M6, M7, M9, M16, M17, M18, M19, M21, M23)																									
72	0121L00259NG BLOWER DOOR (M1, M2, M4, M8, M10, M11, M12, M13, M14, M15, M20, M22)																									
72	0121L01157NG BLOWER DOOR (M3, M5, M6, M7, M9, M16, M17, M18, M19, M21, M23)																									
82	0121L01110RFNG BURNER POST (M3, M5, M6, M7, M9, M16, M17, M18, M19, M21, M23)																									
82	0121L00255RFNG POST-BURNER DOOR (M1, M2, M4, M8, M10, M11, M12, M13, M14, M15, M20, M22)																									
222	0121L00689 RAIN SHIELD DOOR (M1, M2, M4, M8, M10, M11, M12, M13, M14, M15, M20, M22)																									
222	0121L01439 RAIN SHIELD DOOR (M3, M5, M6, M7, M9, M16, M17, M18, M19, M21, M23)																									
232	0121L00295NG FLUE COLLAR (M1, M2, M4, M8, M10, M11, M12, M13, M14, M15, M20, M22)																									
232	0121L01440NG FLUE COLLAR (M3, M5, M6, M7, M9, M16, M17, M18, M19, M21, M23)																									

Partition, Condenser & Evaporator Assy



Partition, Condenser & Evaporator Assy

Ref. Part No: No:	Description:	Ref. Part No: No:	Description:
Image 1:		Expanded Model Nomenclature	
11	0201L00036 TUBING ASSY, COND COIL	M1	- DCG0360451DAXCAA
21	0202L00024 TUBING ASSY, EVAP COIL	M2	- DCG0360451DXXXAA
31	0121L00289 EVAP BLOCK-OFF (M1, M2, M3, M4, M5, M6, M8, M9, M10, M11, M12, M13, M14, M15, M16, M18, M19, M21, M22, M23)	M3	- DCG0360451DXXXAB
31	0121L00335 EVAP BLOCK-OFF (M7, M17, M20)	M4	- DCG0360453DAXXAA
41	0161L00005 DRAIN PAN	M5	- DCG0360453DXSXAB
51	0121L00292 FILTER ANGLE-VERTICAL (QTY 2)	M6	- DCG0360453DXXAAB
61	0121L00290 FILTER ANGLE-TOP	M7	- DCG0360453DXXGAB
81	0121L00291 FILTER ANGLE-BOTTOM	M8	- DCG0360453DXXXAA
111	0121L01205 BLOWER DECK (M1, M2, M4, M8, M10, M11, M12, M13, M14, M15, M20, M22)	M9	- DCG0360453DXXXAB
111	0121L01442 BLOWER DECK (M3, M5, M6, M7, M9, M16, M17, M18, M19, M21, M23)	M10	- DCG0360901DHSAAA
151	0121L00243 DECK SIDE CHANNEL	M11	- DCG0360901DXSAAA
161	0121L00293 BACK ANGLE-HEAT EXCHANGER (QTY 2)	M12	- DCG0360901DXSXAA
171	0121L00300 SUPPORT POST-DECK	M13	- DCG0360901DXXAAA
181	B1370155 AUXILIARY LIMIT SWITCH 120°F (M10, M11, M12, M13, M14, M15, M16, M17, M18, M19, M20, M21, M22, M23)	M14	- DCG0360901DXXHAA
181	0130M00063 PRIMARY LIMIT - GOLD 140° (M1, M2, M3, M4, M5, M6, M7, M8, M9)	M15	- DCG0360901DXXXAA
191	0121L00266 HEAT PANEL CHANNEL (QTY 2)	M16	- DCG0360901DXXXAB
201	0121L00311 COND BLOCK-OFF	M17	- DCG0360903DJSNAB
211	0121L00254 COND MOUNTING ANGLE	M18	- DCG0360903DXDXAB
321	0163L00071 DRAIN PLUG	M19	- DCG0360903DXSXAB
331	0154L00009 DRAIN PAN GASKET	M20	- DCG0360903DXSZAA
NS	0160L00138 Air Filter 24x24x2	M21	- DCG0360903DXXBAB
NS	0121L01377 BLOWER DECK SUPPORT (M18)	M22	- DCG0360903DXXXAA
NS	0121L00939 CONDENSER BLOCKOFF PLATE	M23	- DCG0360903DXXXAB
NS	0121L00238 DRAIN PAN SUPPORT		
NS	0121L00299NG GAS VALVE BRACKET (M1, M2, M4, M8, M10, M11, M12, M13, M14, M15, M20, M22)		
NS	0121L00813 GAS VALVE BRACKET (M3, M5, M6, M7, M9, M16, M17, M18, M19, M21, M23)		
NS	0121L00321 SMOKE DETECTOR COVER		

Blower and Control Box Assembly

IMAGE 1

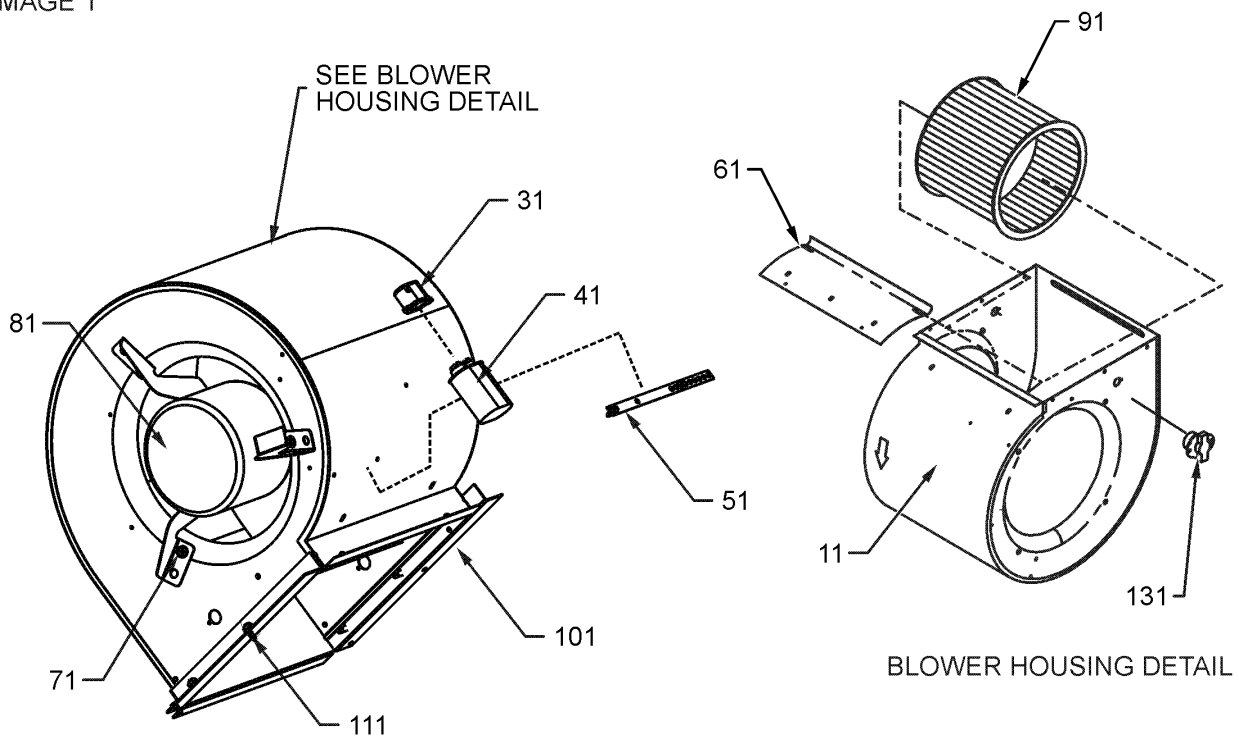
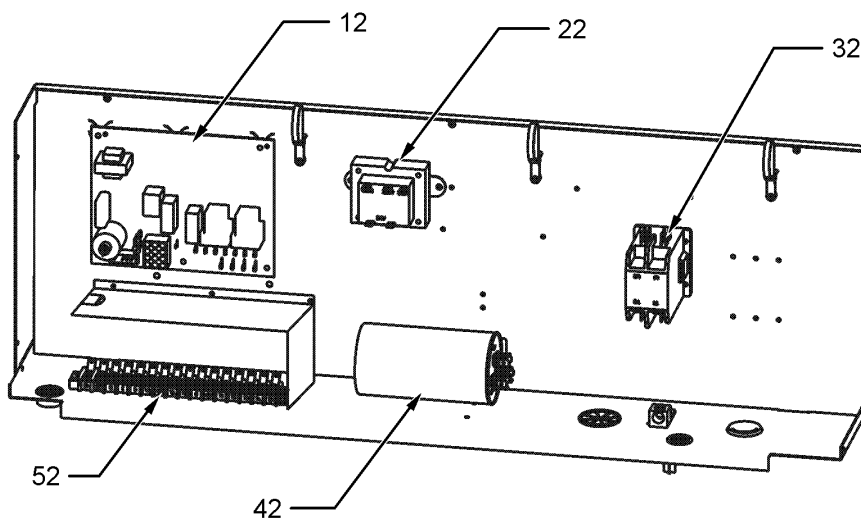


IMAGE 2



Blower and Control Box Assembly

Ref. Part

No: No: Description:

Ref. Part

No: No: Description:

Image 1:

11	11185817	BLOWER HOUSING
31	B821700	CAPACITOR BOOT
41	CAP100000370LA	CAPACITOR 10/370V
51	20520901	CAPACITOR STRAP (QTY 4)
61	C6121806	BLOWER CUT-OFF
71	M0250558	TC SCREW (QTY 3)
81	0131M00126	BLOWER MOTOR
91	D6723303	BLOWER WHEEL
101	0121L00308	BLOWER MOUNTING ANGLE
111	M0221817	SMALL SCREW (QTY 6)
131	20269903	AUXILIARY LIMIT, AUTO RESET (M10, M11, M12, M13, M14, M15, M16, M17, M18, M19, M20, M21, M22, M23)
131	0130M00064	LIMIT (M1, M2, M3, M4, M5, M6, M7, M8, M9)

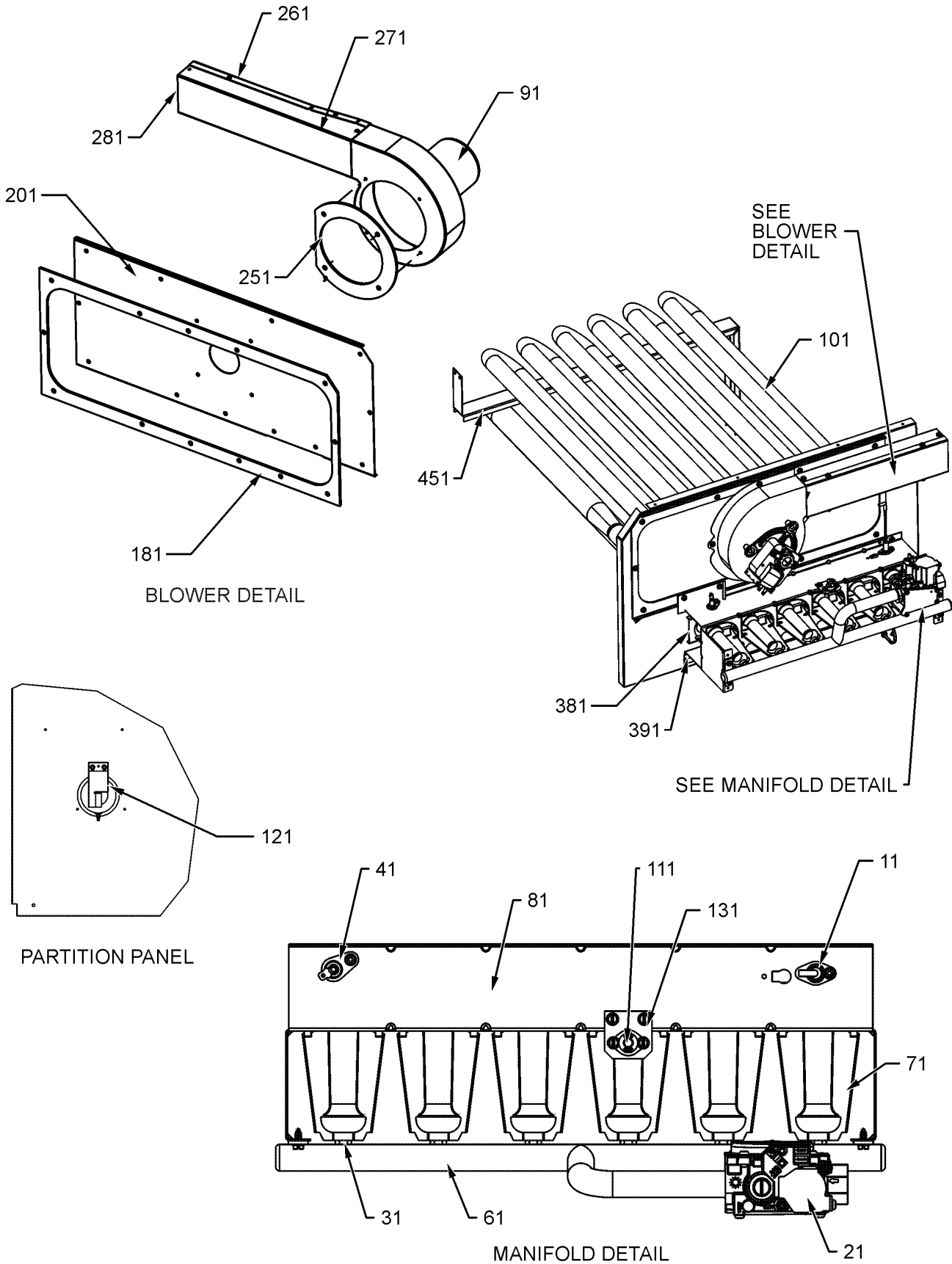
Image 2:

12	PCBAG123	IGNITION BOARD, DSI INTEGRATED
22	0130M00138	TRANSFORMER 208/230, 24V
32	CONT3P025024V	CONTACTOR 25 AMP, 3P, 24V (M4, M5, M6, M7, M8, M9, M17, M18, M19, M20, M21, M22, M23)
32	CONT1P030024V	CONTACTOR 30 AMP, 1P, 24V (M1, M2, M3, M10, M11, M12, M13, M14, M15, M16)
42	CAP050000370LA	CAPACITOR 5/370V (M4, M5, M6, M7, M8, M9, M17, M18, M19, M20, M21, M22, M23)
42	CAP050450440CT	CAPACITOR 5/45/440V/DUAL RD (M1, M2, M3, M10, M11, M12, M13, M14, M15, M16)
52	0130M00038	TERMINAL BOARD
NS	0259L00083	12-PIN GAS HARNESS
NS	20520901	CAPACITOR STRAP (QTY 4)
NS	0259L00084	CONTROL HARNESS
NS	0259L00179	HARNESS, ECONOMIZER
NS	0259L00092	HARNESS-SMOKE DETECTOR SENSOR (M20)
NS	0259L00079	WIRE HARNESS, EVAP MOTOR
NS	0259L00090	WIRE HARNESS-SMOKE DETECTOR (M7, M14, M17, M20)
NS	0259L00054	WIRING HARNESS
NS	0259L00069	WIRING HARNESS (M10, M11, M12, M13, M14, M15, M16, M17, M18, M19, M20, M21, M22, M23)

Expanded Model Nomenclature

M1 - DCG0360451DAXCAA
M2 - DCG0360451DXXXAA
M3 - DCG0360451DXXXAB
M4 - DCG0360453DAXXAA
M5 - DCG0360453DXSXAB
M6 - DCG0360453DXXAAB
M7 - DCG0360453DXXGAB
M8 - DCG0360453DXXXAA
M9 - DCG0360453DXXXAB
M10 - DCG0360901DHSAAA
M11 - DCG0360901DXSAAA
M12 - DCG0360901DXSXAA
M13 - DCG0360901DXXAAA
M14 - DCG0360901DXXHAA
M15 - DCG0360901DXXXAA
M16 - DCG0360901DXXXAB
M17 - DCG0360903DJSNAB
M18 - DCG0360903DXDXAB
M19 - DCG0360903DXSXAB
M20 - DCG0360903DXSZAA
M21 - DCG0360903DXXBAB
M22 - DCG0360903DXXXAA
M23 - DCG0360903DXXXAB

Heat Exchanger Assembly



Heat Exchanger Assembly

**Ref. Part
No: No:**

Description:

**Ref. Part
No: No:**

Description:

Image 1:

11	20261709	IGNITOR
21	0151F00000P	GAS VALVE - WHITE-RODGERS 2-STAGE (M10, M11, M12, M13, M14, M15, M16, M17, M18, M19, M20, M21, M22, M23)
21	0151M00013	GAS VALVE (HW) SINGLE STAGE (M1, M2, M3, M4, M5, M6, M7, M8, M9)
31	0163F00018	ORIFICE (QTY 2)
41	0130F00010	FLAME SENSOR
61	0163L00027	MANIFOLD - 2 BRNR (M1, M2, M3, M4, M5, M6, M7, M8, M9)
61	0163L00026	MANIFOLD - 4 BRNR (M10, M11, M12, M13, M14, M15, M16, M17, M18, M19, M20, M21, M22, M23)
71	10735102	BECKETT BURNER (QTY 2)
81	20190410	BURNER BRACKET 2B (M1, M2, M3, M4, M5, M6, M7, M8, M9)
81	20190412	BURNER BRACKET 4B (M10, M11, M12, M13, M14, M15, M16, M17, M18, M19, M20, M21, M22, M23)
91	0131M00121	ID COMBUSTION BLOWER
101	0270L00099	PART/TUBE ASSY 2B (M1, M2, M3, M4, M6, M7, M8, M9)
101	0270L00106	PART/TUBE ASSY 2B (M5)
101	0270L00092	PART/TUBE ASSY 4B (M13, M14, M15, M16, M18, M21, M22, M23)
101	0270L00105	PART/TUBE ASSY 4B (M10, M11, M12, M17, M19, M20)
111	10123532	MANUAL RESET LIMIT 350°F
121	11112501	PRESSURE SWITCH
131	0121L00053	FLAME ROLLOUT BRACKET
181	0154L00018	ID BLOWER PLATE GASKET 4 BRNR
201	0121L00285	ID BLOWER PLATE 2 BRNR (M1, M2, M3, M4, M5, M6, M7, M8, M9)
201	0121L00284	ID BLOWER PLATE 4 BRNR (M10, M11, M12, M13, M14, M15, M16, M17, M18, M19, M20, M21, M22, M23)
251	0154L00020	ID BLOWER GASKET
261	0121L00277	FLUE CHANNEL
271	0121L00278	FLUE SIDE COVER
281	0163L00072	SCREEEN-FLUE
381	11072201	ORIFICE SHIELD (M1, M2, M3, M4, M5, M6, M7, M8, M9)
381	11072203	ORIFICE SHIELD (M10, M11, M12, M13, M14, M15, M16, M17, M18, M19, M20, M21, M22, M23)
391	0121L00267	BURNER SLIDE BRACKET
451	0121L00325	BRACKET-HEAT EXCHANGER
NS	A3468601	PRESSURE SWITCH HOSE

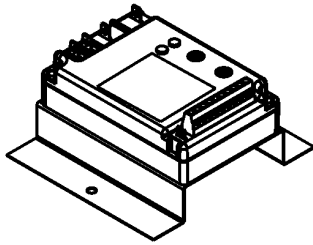
Expanded Model Nomenclature

M1 - DCG0360451DAXCAA
M2 - DCG0360451DXXXAA
M3 - DCG0360451DXXXAB
M4 - DCG0360453DAXXAA
M5 - DCG0360453DXSXAB
M6 - DCG0360453DXXAAB
M7 - DCG0360453DXXGAB
M8 - DCG0360453DXXXAA
M9 - DCG0360453DXXXAB
M10 - DCG0360901DHSAAA
M11 - DCG0360901DXSAAA
M12 - DCG0360901DXSXAA
M13 - DCG0360901DXXAAA
M14 - DCG0360901DXXHAA
M15 - DCG0360901DXXXAA
M16 - DCG0360901DXXXAB
M17 - DCG0360903DJSNAB
M18 - DCG0360903DXDXAB
M19 - DCG0360903DXSXAB
M20 - DCG0360903DXSZAA
M21 - DCG0360903DXXBAB
M22 - DCG0360903DXXXAA
M23 - DCG0360903DXXXAB

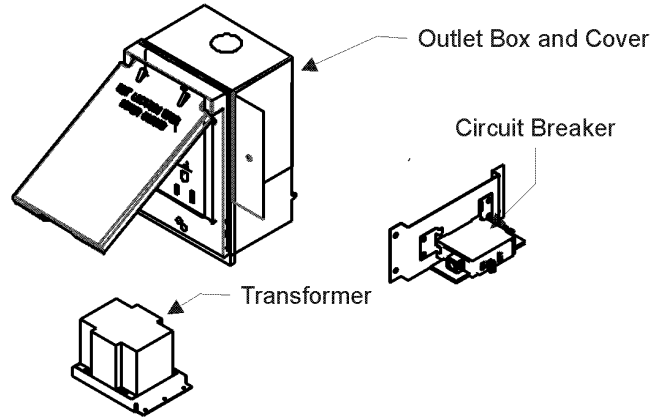
ACCESSORY PARTS LIST

NOTE: NOT ALL OPTIONS AVAILABLE FOR ALL PRODUCTS

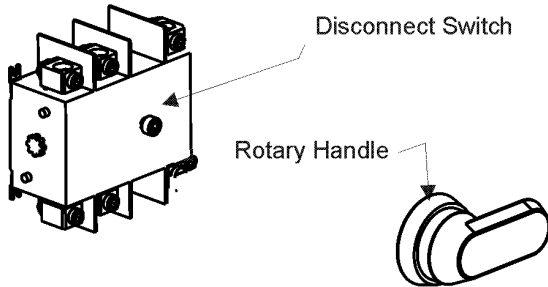
1 LOW AMBIENT KITS



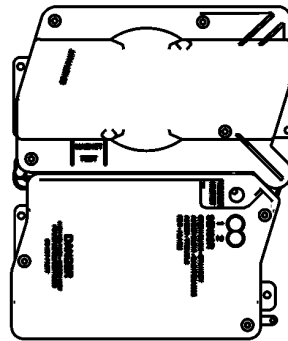
2 GFCI CONVENIENCE OUTLET



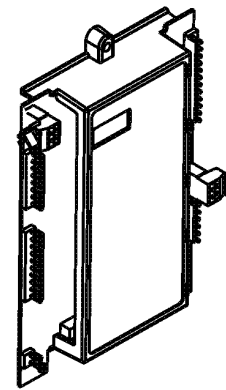
3 DISCONNECT MODULE (NON-FUSED)



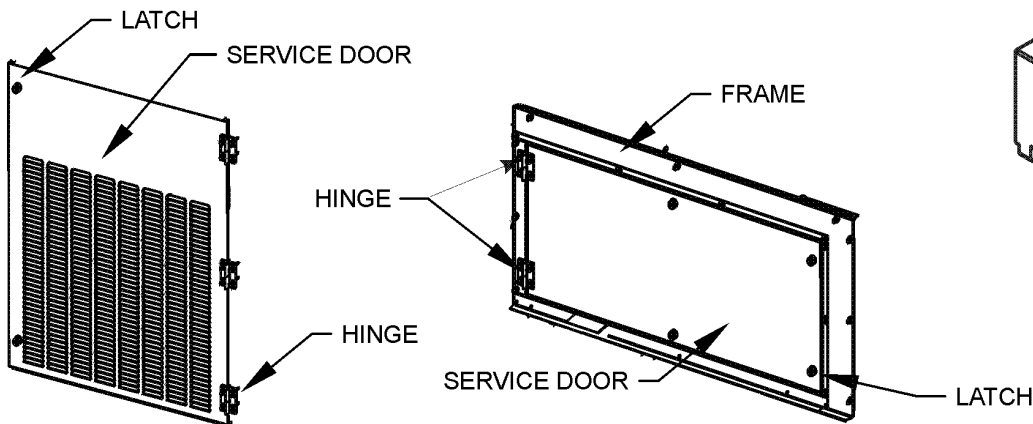
4 SMOKE DETECTORS



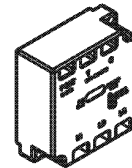
5 DDC CONTROL



6 HINGED DOOR ASSEMBLIES



7 PHASE MONITOR



Accessory Parts

Ref. Part

No: No:

Description:

Ref. Part

No: No:

Description:

Image 1:

NS	0121L01373NG	BLOWER DOOR FRAME (M18)
NS	0121L01371NG	BLOWER SERVICE DOOR, BACK (M18)
NS	0121L01370NG	BLOWER SERVICE DOOR, FRONT (M18)
NS	0121L00316	BRACKET-CONV OUTLET MOUNT (M6, M7, M10, M11, M13, M14, M17, M21)
NS	0121L00332	BRACKET-SMOKE DETECTOR (M7, M14, M17, M20)
NS	0130M00065	CIRCUIT BREAKER, CONVENIENCE OUTLET (M17, M21)
NS	0121L00837NG	DISCONNECT COVER (M10, M17)
NS	0130L00012	GANG BOX-GFCI OUTLET (M6, M7, M10, M11, M13, M14, M17, M21)
NS	0130L00039	HANDLE, ROTARY (M10, M17)
NS	0163M00307	HINGE, LEFT HAND (M18)
NS	0163M00308	HINGE, RIGHT HAND (M18)
NS	0163M00322	LATCH (M18)
NS	0121L01327NG	LOUVERED CP SERVICE DOOR (M18)
NS	LAKT01	LOW AMBIENT KIT (M1)
NS	0161G00012	POWER OUTLET BOX (M6, M7, M10, M11, M13, M14, M17, M21)
NS	0130L00103	RECEPTACLE-GFCI OUTLET (M6, M7, M10, M11, M13, M14, M17, M21)
NS	0130L00042	SHAFT, CUT (M10, M17)
NS	0130L00049	SHAFT, DISCONNECT (M10, M17)
NS	D4120	SMOKE DETECTOR, PHOTO 4WIRE (M7, M14, M17)
NS	D4S	SMOKE DETECTOR, SENSOR ONLY (M20)
NS	0130L00046	SWITCH-DISCONNECT 60A (M10, M17)
NS	0130M00061	TRANSFORMER, CONVENIENCE OUTLET (M17, M21)

Expanded Model Nomenclature

M1 - DCG0360451DAXCAA
M2 - DCG0360451DXXXAA
M3 - DCG0360451DXXXAB
M4 - DCG0360453DAXXAA
M5 - DCG0360453DXSXAB
M6 - DCG0360453DXXAAB
M7 - DCG0360453DXXGAB
M8 - DCG0360453DXXXAA
M9 - DCG0360453DXXXAB
M10 - DCG0360901DHSAAA
M11 - DCG0360901DXSAAA
M12 - DCG0360901DXSXAA
M13 - DCG0360901DXXAAA
M14 - DCG0360901DXXHAA
M15 - DCG0360901DXXXAA
M16 - DCG0360901DXXXAB
M17 - DCG0360903DJSNAB
M18 - DCG0360903DXDXAB
M19 - DCG0360903DXSXAB
M20 - DCG0360903DXSZAA
M21 - DCG0360903DXXBAB
M22 - DCG0360903DXXXAA
M23 - DCG0360903DXXXAB