

Commercial 25 Ton Package Cooling Units

DCC3000464BAXNAB
DCC3000603BHXAAB
DCC3000604BJXXAB
DCC300XXX3BXXXAA
DCC300XXX3BXXXAB
DCC300XXX3BXXXAC
DCC300XXX4BFXXAB
DCC300XXX4BXXDAB
DCC300XXX4BXXXAA
DCC300XXX4BXXXAB
DCC300XXX4BXXXAC
DCC300XXX7BXXXAA
DCC300XXX7BXXXAB



This manual is to be used by qualified technicians only.

This manual replaces RP-D1065F.

© 2015 - 2018 **DAIKIN COMPANY, L.P.** ♦ 5151 San Felipe St., Suite 500 ♦ Houston, TX 77056

Important Information

Index

Functional Parts List	3
Illustration and Parts	4 - 19

Views shown are for parts illustrations only, not servicing procedures

Text Codes:

AR - As Required

NA - Not Available

NS - Not Shown

00000000 - See Note

QTY - Quantity Example (QTY 3) (If Quantity not shown, Quantity = 1)

M - Model Example (M1) (If M Code not shown, then part is used on all Models)

Expanded Model Nomenclature:

Example M1 - Model#1 M2 - Model#2 M3 - Model#3

Daikin Company, L.P. is not responsible for personal injury or property damage resulting from improper service. Review all service information before beginning repairs.

Warranty service must be performed by an authorized technician, using authorized factory parts. If service is required after the warranty expires, Daikin Company, L.P. also recommends contacting an authorized technician and using authorized factory parts.

Daikin Company, L.P. reserves the right to discontinue, or change at any time, specifications or designs without notice or without incurring obligations.

For assistance within the U.S.A. contact:

Equipment Support
Daikin North America, LLC
19001 Kermier Road
Waller, Texas 77484
855-770-5678-Telephone
713-863-2382-Facsimile

For assistance outside the U.S.A. contact:

International Division
Daikin North America, LLC
19001 Kermier Road
Waller, Texas 77484
713-861-2500-Telephone
713-863-2382-Facsimile

Functional Parts

Part

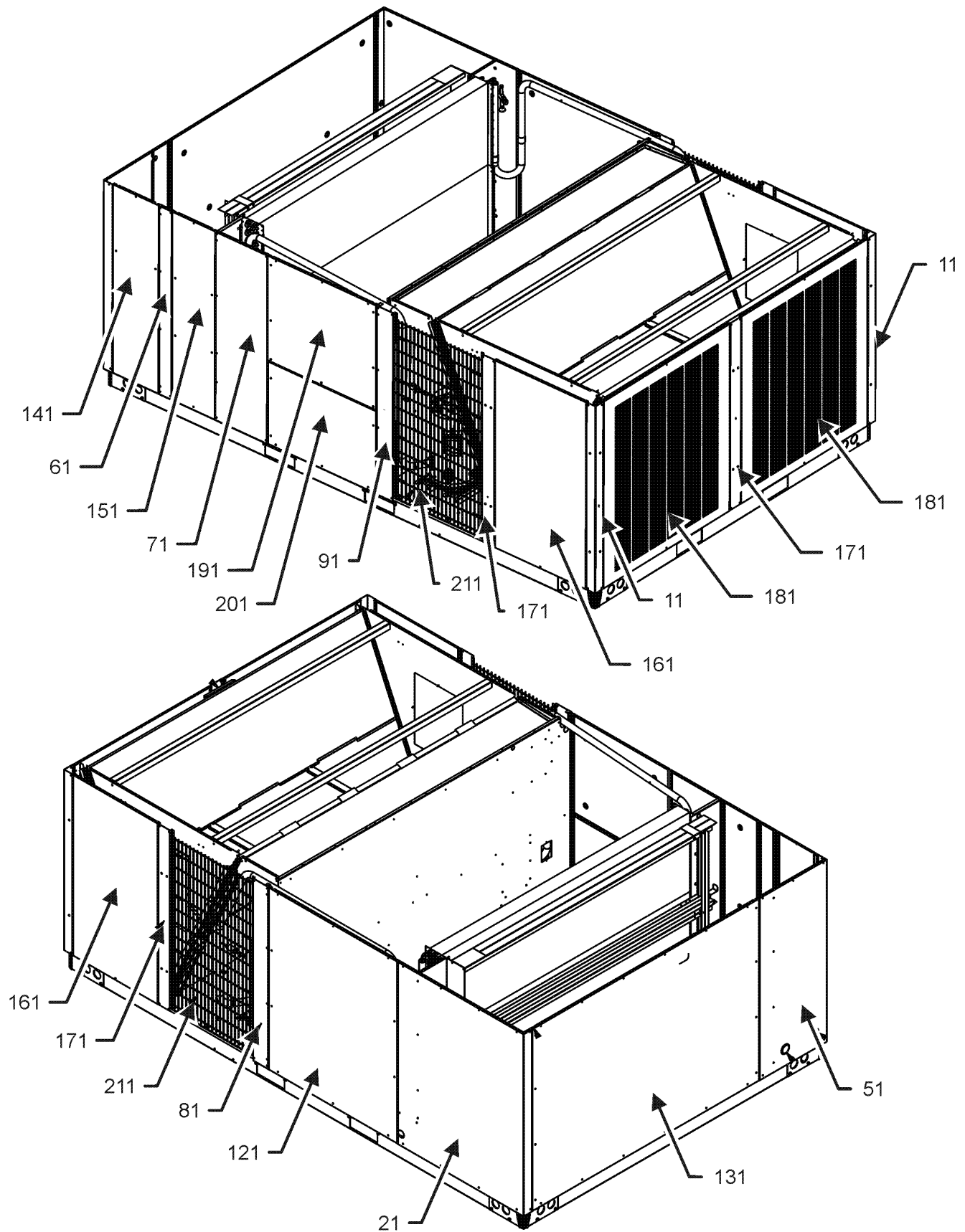
No: Description:

0271L00027	150-15R BD 1.44 TWIN BLOWER
0130M00242	24V RELAY (QTY 2)
0130M00249	AUXILLARY SWITCH (QTY 2)
ZP137KCETFE155	COMP, 136,000, 575/60/3 (M9, M10)
ZP137KCETF5250	COMP, 137000, 200/230/60/3 (M1, M2, M3, M12)
ZP137KCETFD155	COMPRESSOR 135,000, 460/60/3 (M4, M5, M6, M7, M8, M11, M13)
CONT3P030024V	CONTACTOR 30 AMP, 3P, 24V (QTY 3)
CONT3P050024V	CONTACTOR 50 AMP, 3P, 24V (M1, M2, M3, M12)
0130L00020	CRANK CASE HEATER, 90W, 240V (M1, M2, M3, M12)
0130L00021	CRANK CASE HEATER, 90W, 480V (M4, M5, M6, M7, M8, M11, M13)
0130L00022	CRANK CASE HEATER, 90W, 575V (M9, M10)
0130M00074	CUT-OUT SWITCH, HIGH PRESSURE (QTY
0130L00112	DUCT TEMP SENSOR-OE230G (M4)
PCBFM103	ELECTRONIC BLOWER TIME DELAY
0164L00013	FAN BELT-NOTCHED
0130M00247	FUSE BLOCK
0130M00246	FUSE BLOCK
0130L00101	FUSE, J CLASS (QTY 3)
0130L00102	FUSE, J CLASS (QTY 3)
0130M00087	LOW PRESSURE SWITCH (QTY 2)
0131L00051	MOTOR, 7.5 HP BD 230,460V (M1, M2, M3, M4, M5, M6, M7, M8, M11, M12, M13)
0131L00050	MOTOR, 7.5 HP BELT DRIVE (M9, M10)
PCBCG100	PCB, CONTROL, HP, GAS (M4)
10135604	RELAY (M2, M3, M4, M5, M7, M8, M10, M11, M12, M13)
0130M00264	RELAY, THERMISTOR (M2, M3, M4, M5, M7, M8, M10, M11, M12, M13)
0130M00144	TRANSFORMER (M1, M2, M3, M12)
0130M00145	TRANSFORMER 480V to 24V, 75VA (M4, M5, M6, M7, M8, M11, M13)
0130M00148	TRANSFORMER 575V to 24V, 75VA (M9, M10)
0210L00470	TXV WELDMENT (QTY 2)

Expanded Model Nomenclature

M1 - DCC300XXX3BXXXAA
M2 - DCC300XXX3BXXXAB
M3 - DCC300XXX3BXXXAC
M4 - DCC300XXX4BFXXAB
M5 - DCC300XXX4BXXDAB
M6 - DCC300XXX4BXXXAA
M7 - DCC300XXX4BXXXAB
M8 - DCC300XXX4BXXXAC
M9 - DCC300XXX7BXXXAA
M10 - DCC300XXX7BXXXAB
M11 - DCC3000464BAXNAB
M12 - DCC3000603BHXAAB
M13 - DCC3000604BJXXAB

Cabinet Assembly



Cabinet Assembly

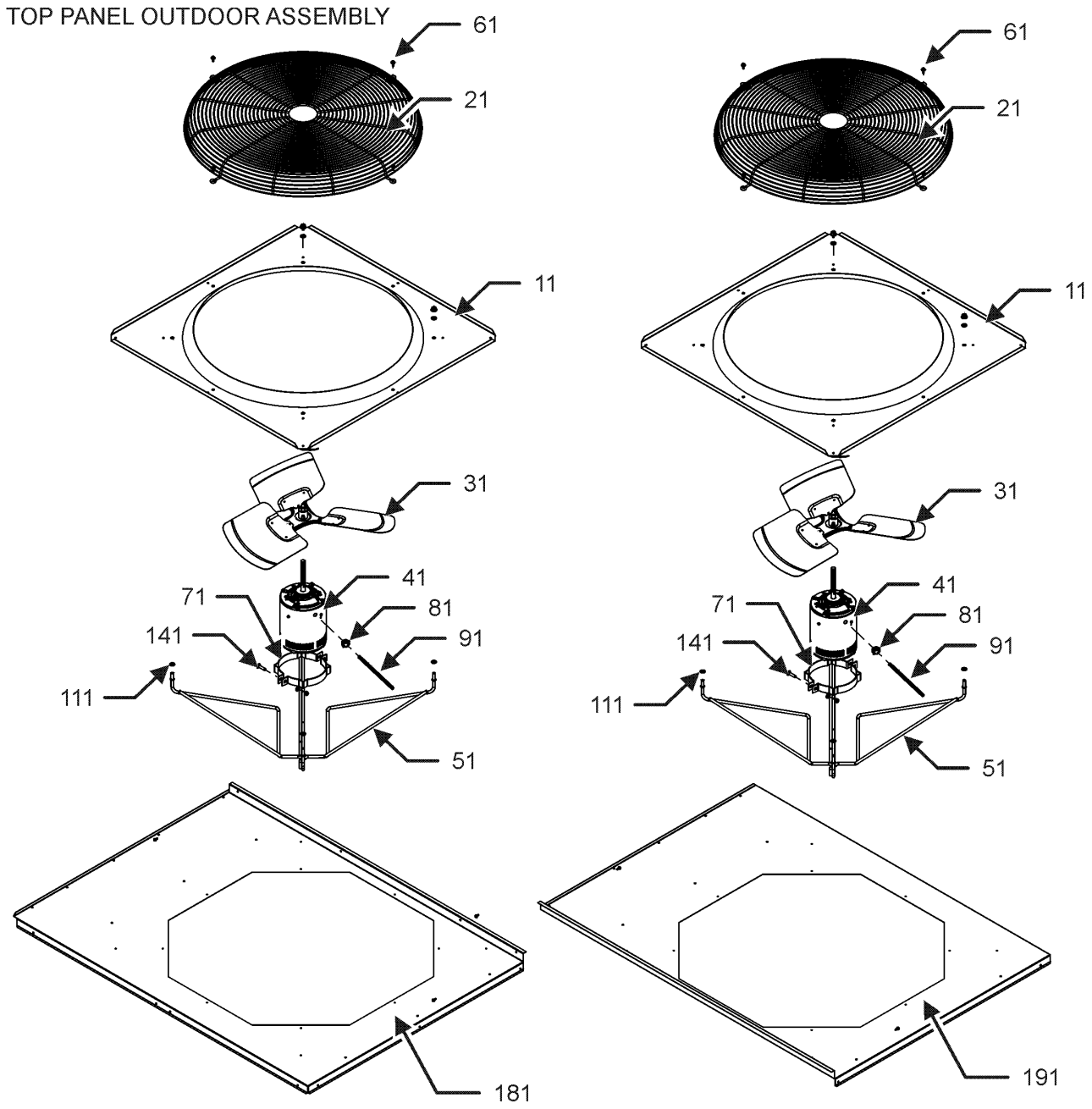
Ref. Part No:	No:	Description:	Ref. Part No:	No:	Description:
<i>Image 1:</i>					
11	0121L00742NG	CORNER POST (M12)			
11	0121L01143NG	POST, CORNER (QTY 2)			
21	0121L00681NG	PAINTED EVAP PANEL			
51	0121L00679NG	CONTROL CORNER PANEL (M1, M2, M3, M4, M5, M6, M7, M8, M9, M10, M11)			
51	0121L00800NG	DUCT PANEL (M12, M13)			
61	0121L02048NG	CONTROL/FILTER POST			
71	0121L00710NG	POST/BLOWER DOOR			
81	0121L00903NG	POST PARTITION-EVAP SIDE			
91	0121L00906NG	POST-PARTITION, (COOL) HT			
121	0121L00685NG	BLOWER DOOR-EVAP SIDE			
131	0121L00688NG	ACCESSORY PANEL			
141	0121L00687NG	CONTROL DOOR			
151	0121L00686NG	FILTER DOOR			
161	0121L00907NG	PANEL-COND SIDE (QTY 2)			
171	0121L01144NG	POST, COND PANEL (QTY 3)			
181	0121L01174NG	PANEL, LOUVER END PNT (QTY 2)			
191	0121L00713NG	BLOWER DOOR-GAS SIDE			
201	0121L00708NG	DOOR-ELECTRIC HEAT			
211	0152L00000	GRILLE-CONDENSER (QTY 2)			
NS	M0204317	SCREW-MACHINE (QTY 16)			
NS	0121L00476NG	TURNBUCKLE DOOR (QTY 16)			

Expanded Model Nomenclature

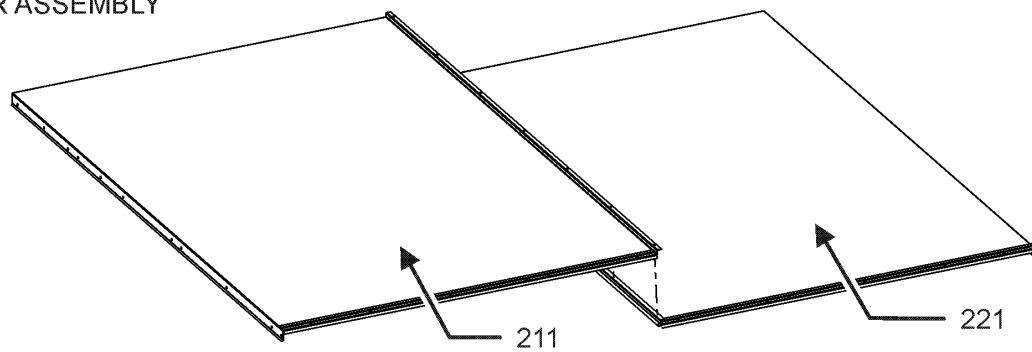
M1 - DCC300XXX3BXXXAA
M2 - DCC300XXX3BXXXAB
M3 - DCC300XXX3BXXXAC
M4 - DCC300XXX4BFXXAB
M5 - DCC300XXX4BXXDAB
M6 - DCC300XXX4BXXXAA
M7 - DCC300XXX4BXXXAB
M8 - DCC300XXX4BXXXAC
M9 - DCC300XXX7BXXXAA
M10 - DCC300XX7BXXXAB
M11 - DCC3000464BAXNAB
M12 - DCC3000603BHXAAB
M13 - DCC3000604BJXXAB

Top Panel Assembly

TOP PANEL OUTDOOR ASSEMBLY



TOP PANEL INDOOR ASSEMBLY



Top Panel Assembly

Ref. Part No: No:	Description:	Ref. Part No: No:	Description:
-------------------	--------------	-------------------	--------------

Image 1:

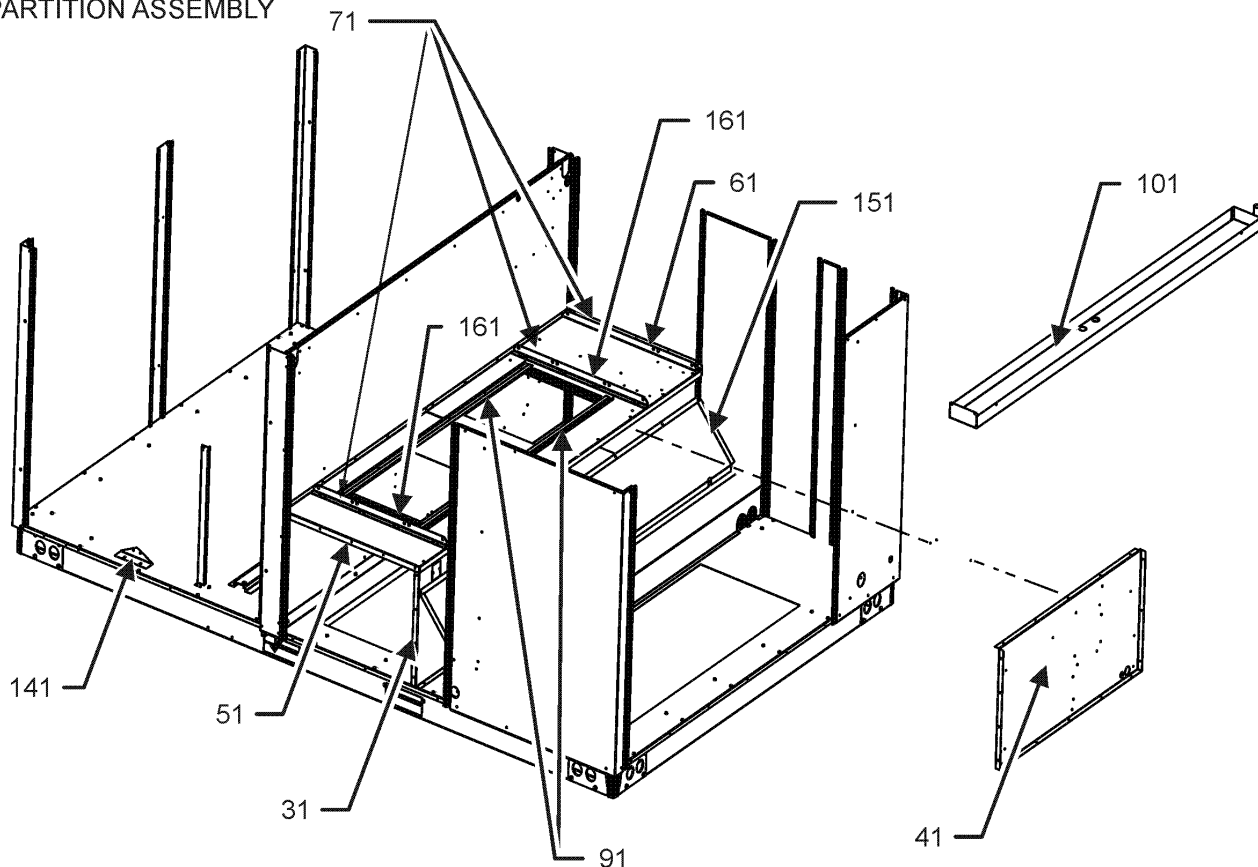
11	0121L01151NG	FAN PANEL 30" (QTY 2)
21	0152L00003	FAN GRILLE (QTY 2)
31	0150M00044	FAN BLADE (QTY 2)
41	0131M00697	MOTOR, COND (M1, M2, M3, M4, M5, M6, M7, M8, M11, M12, M13)
41	0131M00721	MOTOR, COND 575 V (M9, M10)
51	0163L00080	MOTOR MOUNT (QTY 2)
61	0163M00097	WASHERED SCREW (QTY 2)
71	0163L00082	MOTOR CLAMP BAND (QTY 2)
81	B1393726	ELECT. CONNECTING BUSHING (QTY 2)
91	0259L00219	POWER HARNESS, CM PIGTAIL (QTY 2)
111	B1392912	FLAT WASHER 3/8 ID X 7/8 OD (QTY 16)
141	0163M00275	CARRIAGE BOLT (QTY 2)
181	0121L01081NG	TOP, FAN C1
191	0121L01094NG	TOP, FAN C2
211	0121L00693NG	TOP-CONTROL SIDE
221	0121L00694NG	TOP PANEL ASSY

Expanded Model Nomenclature

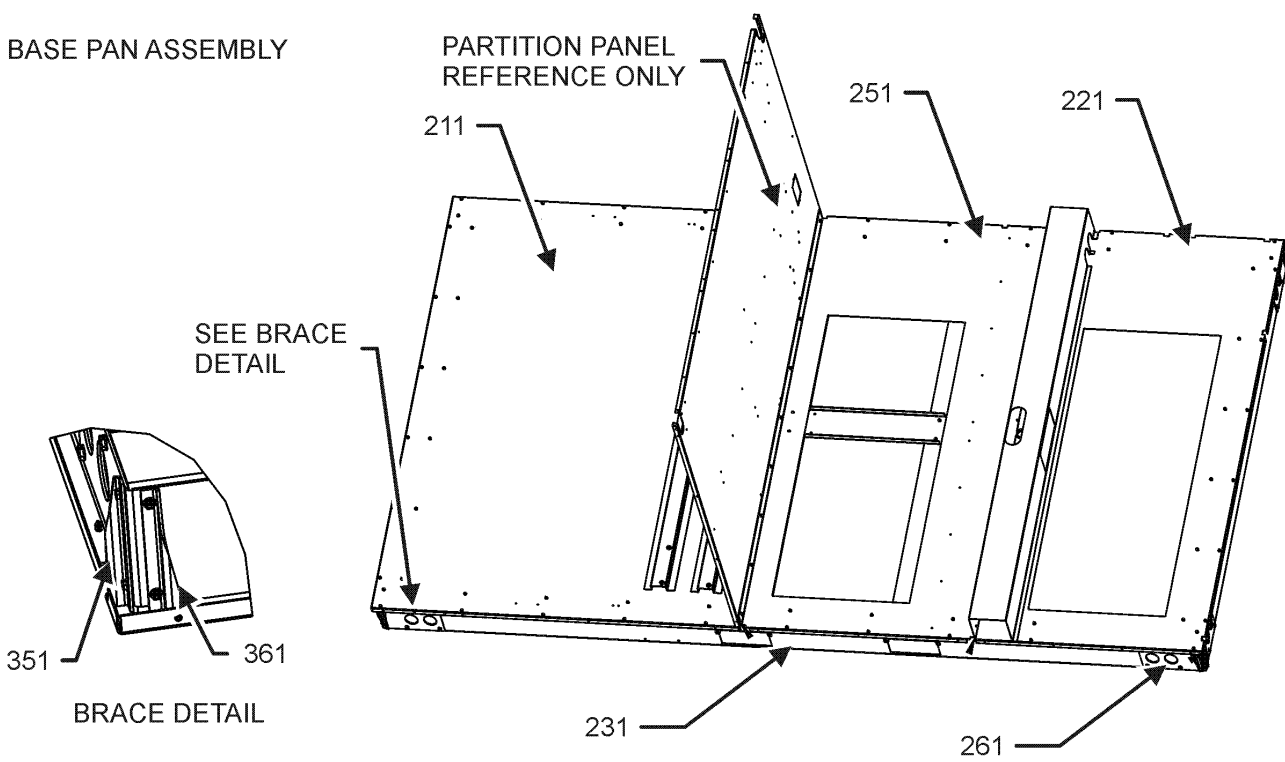
M1 - DCC300XXX3BXXXAA
M2 - DCC300XXX3BXXXAB
M3 - DCC300XXX3BXXXAC
M4 - DCC300XXX4BFXXAB
M5 - DCC300XXX4BXXDAB
M6 - DCC300XXX4BXXXAA
M7 - DCC300XXX4BXXXAB
M8 - DCC300XXX4BXXXAC
M9 - DCC300XXX7BXXXAA
M10 - DCC300XX7BXXXAB
M11 - DCC3000464BAXNAB
M12 - DCC3000603BHXAAB
M13 - DCC3000604BJXXAB

Partition and Base Pan Assembly

PARTITION ASSEMBLY



BASE PAN ASSEMBLY



Partition and Base Pan Assembly

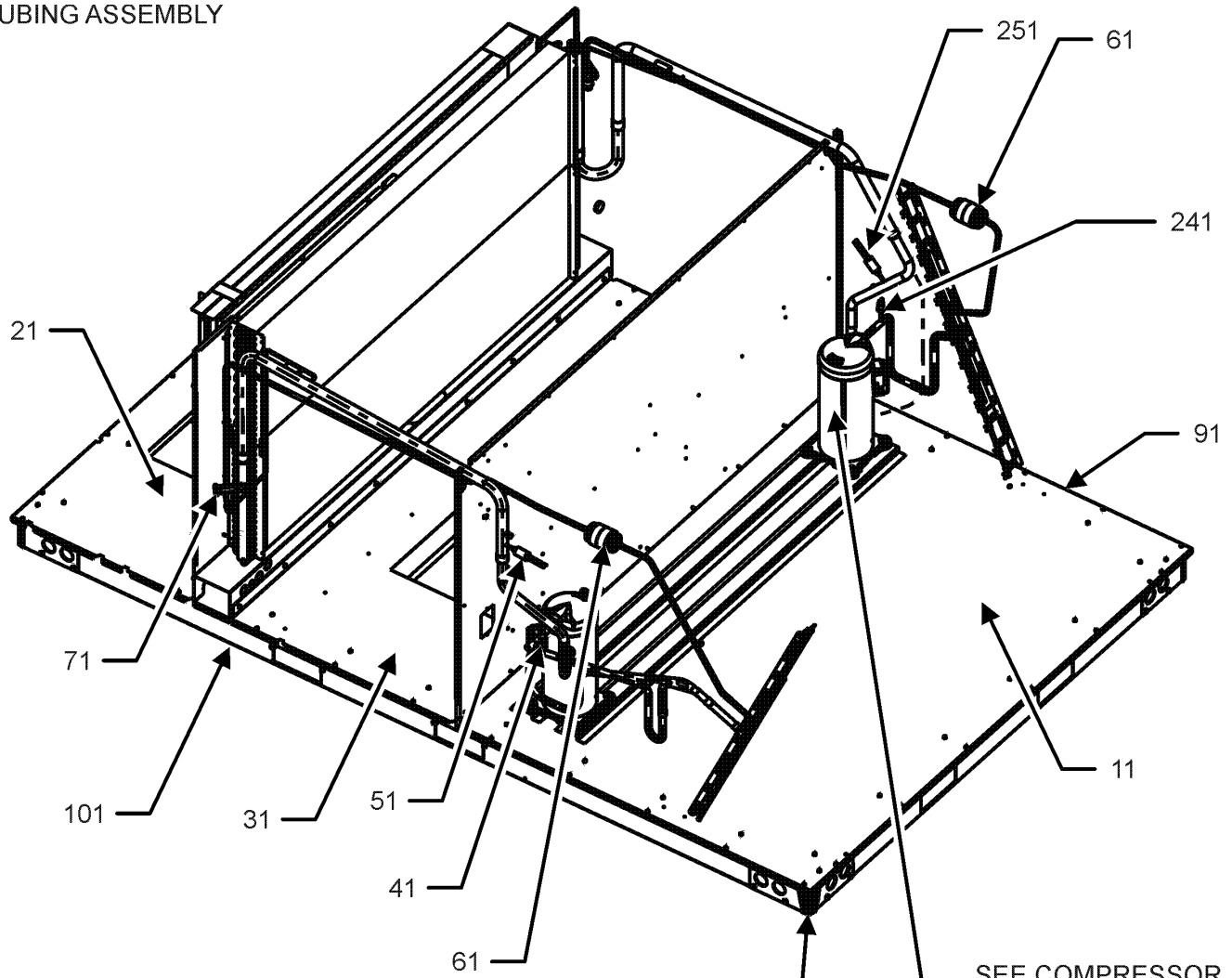
Ref. Part No: No:	Description:	Ref. Part No: No:	Description:
<i>Image 1:</i>			
31	0121L01163		DECK, SIDE DUCT END
41	0121L01162		DECK, SIDE HEAT END
51	0121L01160		BLOWER DECK, EVAP SIDE
61	0121L01161		BLOWER DECK, MOTOR SIDE
71	0121L01431		ANGLE, MOTOR MOUNT (QTY 3)
91	0121L00478		BLOWER DECK RAIL (QTY 2)
101	0270L00612DG		WELDMENT-DRAIN PAN
141	0121L00913		BRACKET-COND/BASEPAN (QTY 2)
151	0121L01158		SHIELD, BLOWOFF
161	0121L00481		BLOWER RAIL (QTY 2)
211	0121L00902		BASEPAN-OUTDOORS
221	0121L00947		BASE PAN-RETURN
231	0121L00720		SIDE RAIL
251	0121L00948		BASE PAN-SUPPLY
261	0121L00723		BASE RAIL CORNER BRACE (QTY 4)
351	0121L00616		RAIL BRACE ANGLE, RIGHT (QTY 4)
361	0121L00617		RAIL BRACE ANGLE, LEFT (QTY 4)
NS	0121L00723		BASE RAIL CORNER BRACE (QTY 4)
NS	0121L00722		BASE RAIL, ACCESSORY END
NS	0121L00721		BASE RAIL, CONDENSER END (QTY 2)
NS	0121L00625		COMPRESSOR RAIL BRACKET (QTY 4)
NS	0121L00719		CONTROL SIDE BASE RAIL
NS	0141L00029		FORK BOARD (QTY 2)
NS	0121L00724		FORK BOARD BRACKET (QTY 4)
NS	0121L00605		FORK BOARD PLATE
NS	0121L00321		SMOKE DETECTOR COVER

Expanded Model Nomenclature

M1 - DCC300XXX3BXXXAA
M2 - DCC300XXX3BXXXAB
M3 - DCC300XXX3BXXXAC
M4 - DCC300XXX4BFXAB
M5 - DCC300XXX4BXXDAB
M6 - DCC300XXX4BXXXAA
M7 - DCC300XXX4BXXXAB
M8 - DCC300XXX4BXXXAC
M9 - DCC300XXX7BXXXAA
M10 - DCC300XXX7BXXXAB
M11 - DCC3000464BAXNAB
M12 - DCC3000603BHXAAB
M13 - DCC3000604BJXXAB

Tubing and Compressor Assembly

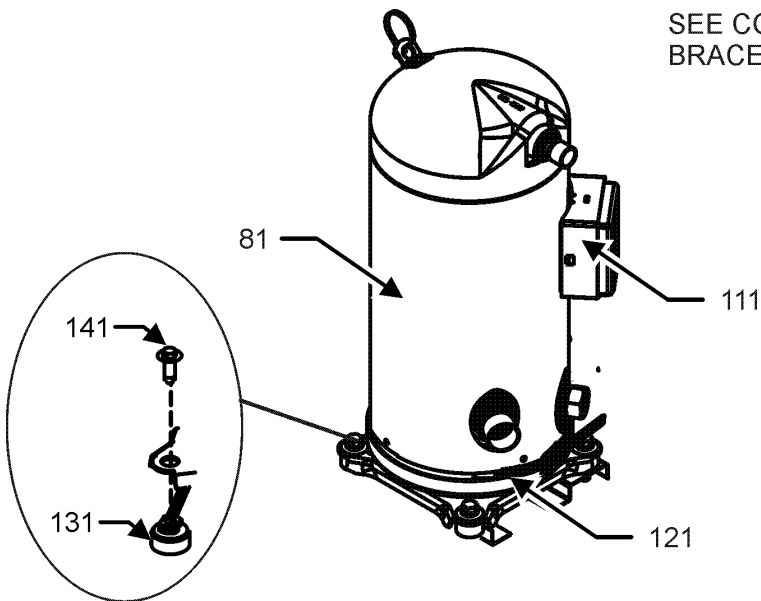
TUBING ASSEMBLY



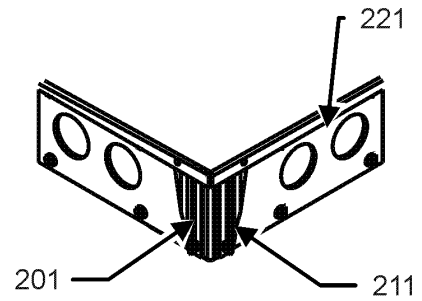
COMPRESSOR ASSEMBLY

SEE CORNER BRACE DETAIL

SEE COMPRESSOR DETAIL



COMPRESSOR DETAIL



CORNER BRACE DETAIL

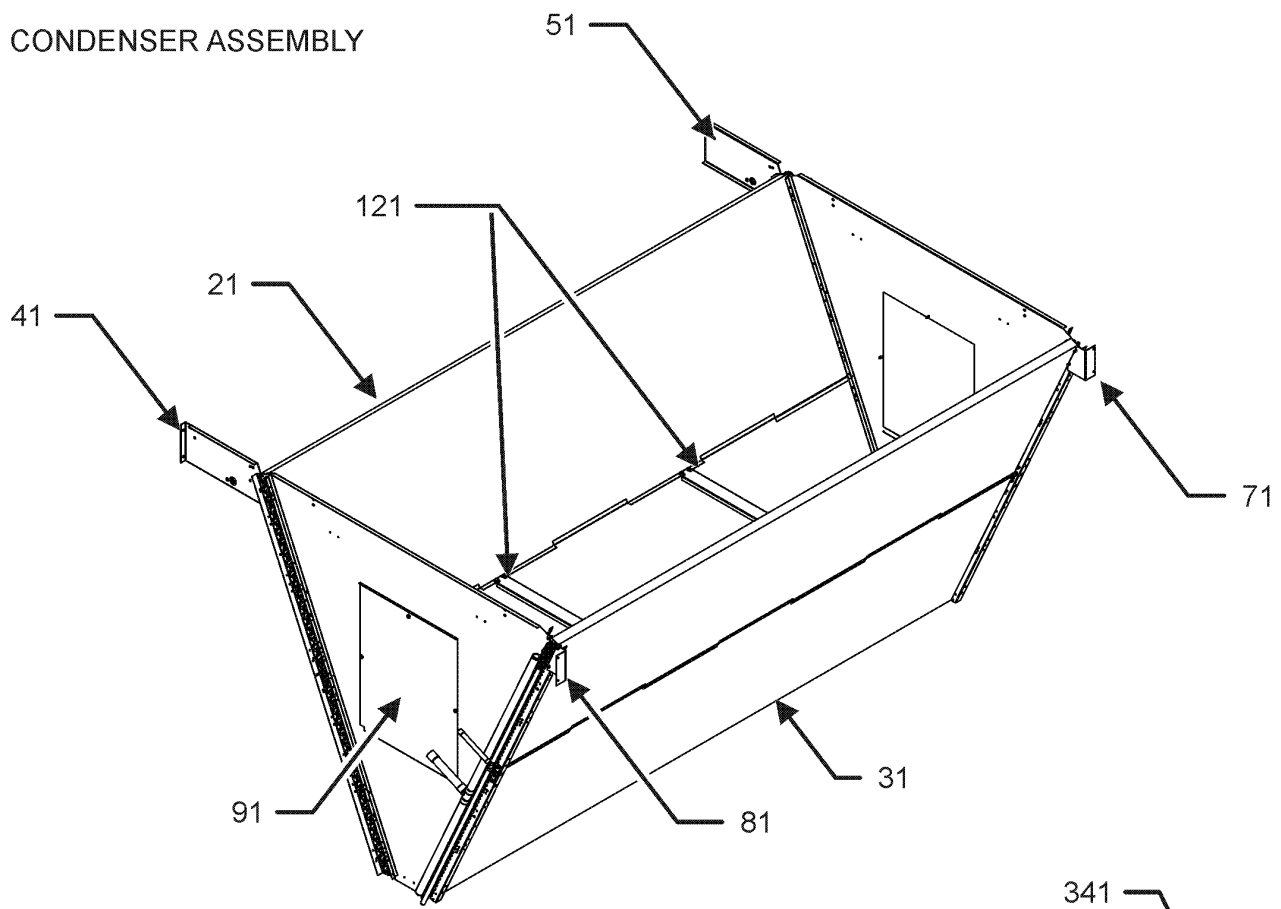
Tubing and Compressor Assembly

Ref. Part No: No:	Description:	Ref. Part No: No:	Description:
Image 1:			
11	0121L00902		BASEPAN-OUTDOOR
21	0121L00947		BASEPAN-RETURN
31	0121L00948		BASEPAN-SUPPLY
41	0130M00074		CUT-OUT SWITCH, HIGH PRESSURE
51	0130M00087		CUT-OUT SWITCH, LOW PRESSURE
61	0162L00025		FILTER DRIER
71	0210L00470		TXV WELDMENT (QTY 2)
81	ZP137KCETFE155		COMP, 136,000, 575/60/3 (M9, M10)
81	ZP137KCETF5250		COMP, 137000, 200/230/60/3 (M1, M2, M3, M12)
81	ZP137KCETFD155		COMPRESSOR 135,000, 460/60/3 (M4, M5, M6, M7, M8, M11, M13)
91	0121L00720		SIDE RAIL
101	0121L00719		CONTROL SIDE BASE RAIL
111	0159L00063		HARNESS, COMP SCROLL (M4, M5, M6, M7, M8, M9, M10, M11, M13)
111	0159L00064		HARNESS, COMP SCROLL (M4, M5, M6, M7, M8, M9, M10, M11, M13)
111	0159L00061		HARNESS-COMPRESSOR (M1, M2, M3, M12)
111	0159L00062		HARNESS-COMPRESSOR (M1, M2, M3, M12)
121	0130L00020		CRANK CASE HEATER, 90W, 240V (M1, M2, M3, M12)
121	0130L00021		CRANK CASE HEATER, 90W, 480V (M4, M5, M6, M7, M8, M11, M13)
121	0130L00022		CRANK CASE HEATER, 90W, 575V (M9, M10)
131	0164M00018		COMPRESSOR GROMMET (QTY 8)
141	B1393740		COMPRESSOR BOLT & SLEEVE (QTY 8)
201	0121L00616		RAIL BRACE ANGLE, RIGHT (QTY 4)
211	0121L00617		RAIL BRACE ANGLE, LEFT (QTY 4)
221	0121L00723		BASE RAIL CORNER BRACE (QTY 4)
241	0130M00074		HIGH PRESSURE SWITCH
251	0130M00087		CUT-OUT SWITCH, LOW PRESSURE
NS	0163M00175		CAP WITH O-RING (QTY 6)

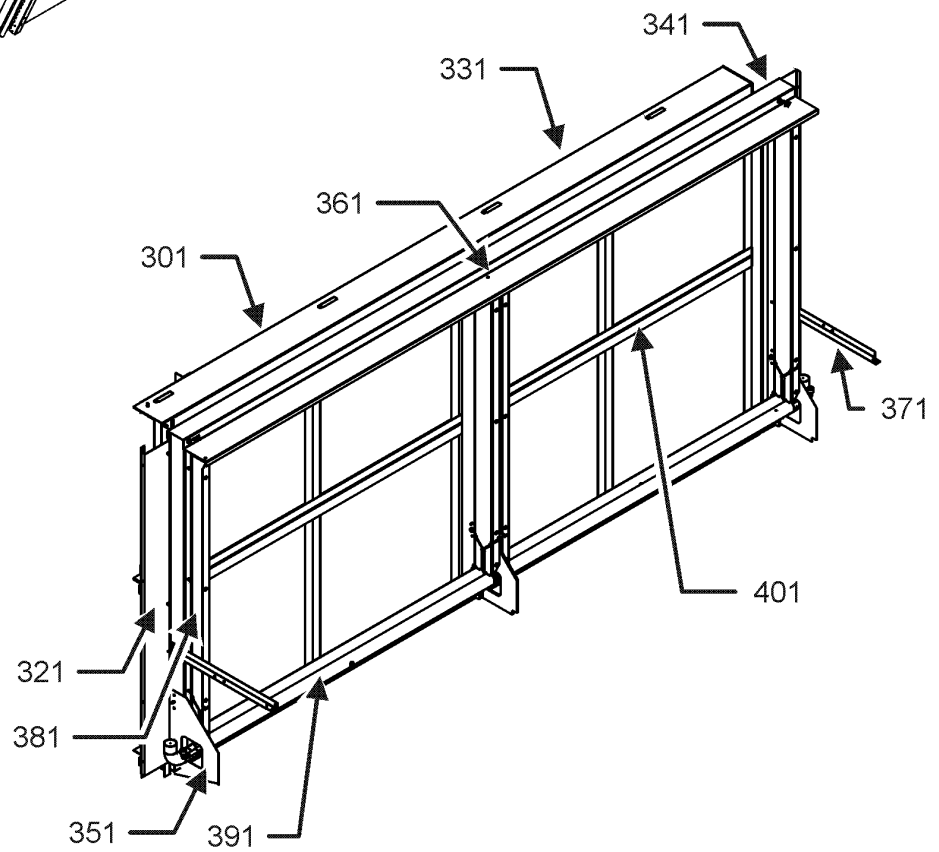
Expanded Model Nomenclature

M1 - DCC300XXX3BXXXAA
M2 - DCC300XXX3BXXXAB
M3 - DCC300XXX3BXXXAC
M4 - DCC300XXX4BFXXAB
M5 - DCC300XXX4BXXDAB
M6 - DCC300XXX4BXXXAA
M7 - DCC300XXX4BXXXAB
M8 - DCC300XXX4BXXXAC
M9 - DCC300XXX7BXXXAA
M10 - DCC300XXX7BXXXAB
M11 - DCC3000464BAXNAB
M12 - DCC3000603BHXAAB
M13 - DCC3000604BJXXAB

Condenser Assembly



EVAPORATOR ASSEMBLY



Condenser Assembly

Ref. Part No: No:	Description:	Ref. Part No: No:	Description:
-------------------	--------------	-------------------	--------------

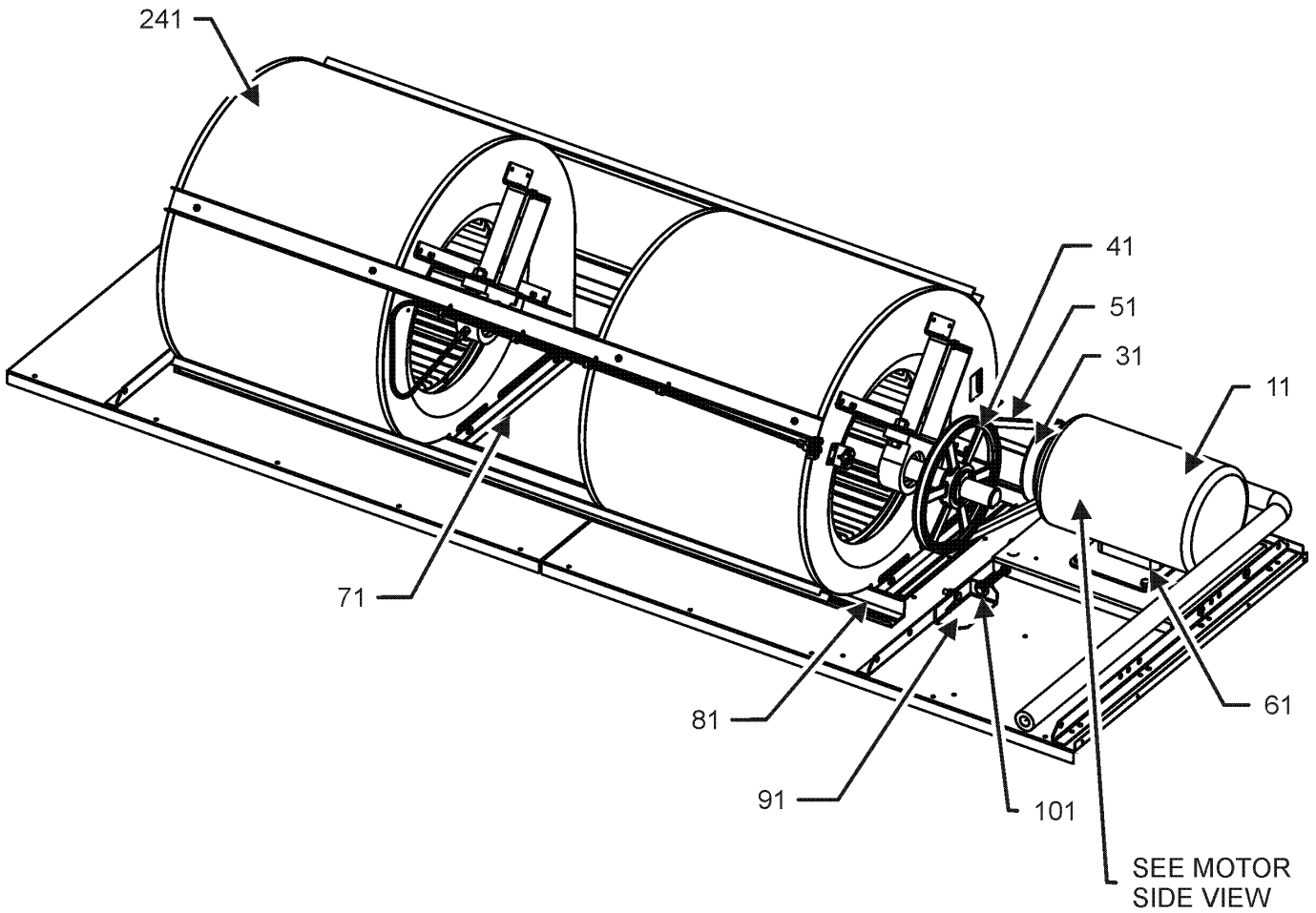
Image 1:

21	0201L00151	CONDENSER COIL ASSY C1
31	0201L00152	CONDENSER COIL ASSY C2
41	0121L01154	BRACKET, CONDENSER END C1
51	0121L01156	BRACKET, CONDENSER END C2
71	0121L01153	BRACKET, COND/POST C2
81	0121L01155	BRACKET, COND/POST C1
91	0121L00910	COVER-COIL CLEANING (QTY 2)
121	0121L00901	BRACE-COND COILS (QTY 2)
301	0202L00102	EVAP COIL ASSY C1
321	0121L01086	EVAP BLOCKOFF, RIGHT
331	0202L00103	EVAP COIL ASSY C2
341	0121L01085	EVAP BLOCKOFF, LEFT
351	0121L01133	END SUPPORT PLATE (QTY 2)
361	0121L01188	TOP FILTER RACK
371	0121L02259	SUPPORT BRACKET, EVAP-RH (QTY 2)
381	0121L01184	ANGLE, FILTER RACK
391	0121L01187	BOTTOM FILTER RACK
401	0270L00614	CENTER FILTER RACK
NS	0160L00136	Air Filter 20x20x2 (QTY 8)
NS	0121L01178	ANGLED FILTER SLIDER (QTY 4)
NS	0121L01139	BOTTOM BLOCKOFF, FILTER RACK
NS	0121L01137	FILTER PULL (QTY 2)
NS	0121L00632	FILTER SUPPORT ANGLE
NS	0121L01089	MIDDLE EVAP BLOCKOFF, LEFT
NS	0121L01088	MIDDLE EVAP BLOCKOFF, RIGHT

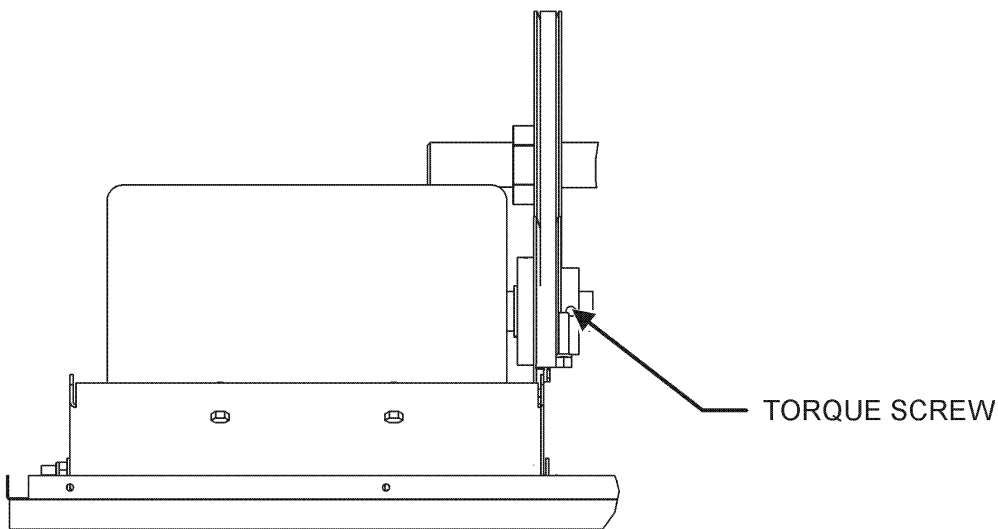
Expanded Model Nomenclature

M1 - DCC300XXX3BXXXAA
M2 - DCC300XXX3BXXXAB
M3 - DCC300XXX3BXXXAC
M4 - DCC300XXX4BFXAB
M5 - DCC300XXX4BXXDAB
M6 - DCC300XXX4BXXXAA
M7 - DCC300XXX4BXXXAB
M8 - DCC300XXX4BXXXAC
M9 - DCC300XXX7BXXXAA
M10 - DCC300XXX7BXXXAB
M11 - DCC3000464BAXNAB
M12 - DCC3000603BHXAAB
M13 - DCC3000604BJXXAB

Blower Assembly



MOTOR SIDE VIEW



Blower Assembly

Ref. Part No: No:	Description:	Ref. Part No: No:	Description:
-------------------	--------------	-------------------	--------------

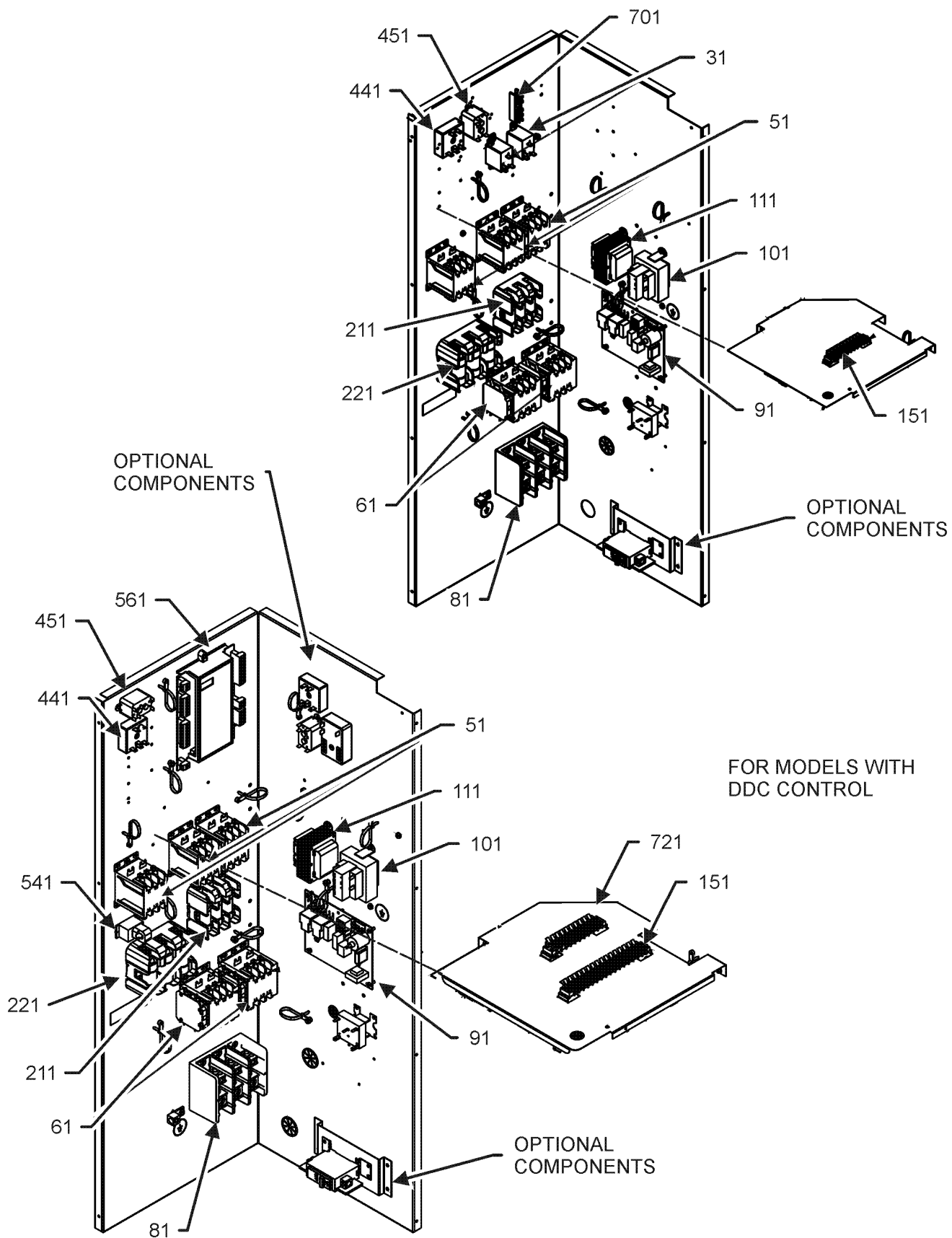
Image 1:

11	0131L00051	MOTOR, 7.5 HP BD 230,460V (M1, M2, M3, M4, M5, M6, M7, M8, M11, M12, M13)
11	0131L00050	MOTOR, 7.5 HP BELT DRIVE (M9, M10)
31	0163L00052	VARIABLE PITCH SHEAVE
41	0163L00141	SHEAVE, FIXED BK110H
51	0164L00013	FAN BELT-NOTCHED
61	0121L01430	BASE, MOTOR
71	0121L00482	BLOWER SIDE ANGLE (QTY 4)
81	0121L00479	BLOWER RAIL (QTY 2)
91	0121L01429	BRACKET, DRIVE SCREW
101	0163M00351	BOLT, 3/8-16-6
241	0271L00027	150-15R BD 1.44 TWIN BLOWER

Expanded Model Nomenclature

M1 - DCC300XXX3BXXXAA
M2 - DCC300XXX3BXXXAB
M3 - DCC300XXX3BXXXAC
M4 - DCC300XXX4BFXXAB
M5 - DCC300XXX4BXXDAB
M6 - DCC300XXX4BXXXAA
M7 - DCC300XXX4BXXXAB
M8 - DCC300XXX4BXXXAC
M9 - DCC300XXX7BXXXAA
M10 - DCC300XX7BXXXAB
M11 - DCC3000464BAXNAB
M12 - DCC3000603BHXAAB
M13 - DCC3000604BJXXAB

Control Box Assembly



Control Box Assembly

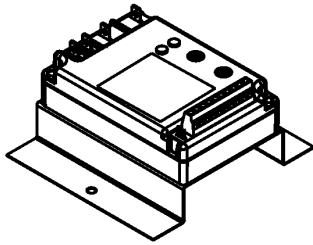
Ref. Part No: No:	Description:	Ref. Part No: No:	Description:													
Image 1:		Image 1:														
31	0130M00242 24V RELAY (QTY 2)	NS	0259L00210 HARN, PWR, PB TO CC1 (M1, M2, M3, M12)													
51	CONT3P030024V CONTACTOR 30 AMP, 3P, 24V (QTY 3)	NS	0259L00221 HARN, PWR, PB TO CC1 (M4, M5, M6, M7, M8, M9, M10, M11, M13)													
51	CONT3P050024V CONTACTOR 50 AMP, 3P, 24V (M1, M2, M3, M12)															
61	0130M00249 AUXILLARY SWITCH (QTY 2)	NS	0259L00211 HARN, PWR, PB TO CC2 (M1, M2, M3, M12)													
81	0130M00042 POWER BLOCK	NS	0259L00220 HARN, PWR, PB TO CC2 (M4, M5, M6, M7, M8, M9, M10, M11, M13)													
91	PCBFM103 ELECTRONIC BLOWER TIME DELAY															
101	0130M00144 TRANSFORMER (M1, M2, M3, M12)	NS	0259L00199 HARN, PWR, PB TO FB													
101	0130M00145 TRANSFORMER 480V to 24V, 75VA (M4, M5, M6, M7, M8, M11, M13)	NS	0259L00237 HARN,CNTL,COOL,SUBASSY 1, HT P (M1, M6, M9)													
		NS	0259L00285 HARN,CNTL,COOL,SUBASSY 1, HT P (M2, M3, M4, M5, M7, M8, M10, M11, M12, M13)													
111	0130M00148 TRANSFORMER 575V to 24V, 75VA (M9, M10)															
151	0130M00240 TERMINAL BOARD (M1, M2, M3, M5, M6, M7, M8, M9, M10, M11, M12, M13)	NS	0259L00238 HARN,CNTL,COOL,SUBASSY 2,ECON													
		NS	0259L00247 HARNESS, CC_CMC (M2, M3, M4, M5, M7, M8, M10, M11, M12, M13)													
151	0130M00275 TERMINAL BOARD (M4)															
211	0130M00246 FUSE BLOCK	NS	0130L00108 OD Air Temp Sensor (M4)													
221	0130M00247 FUSE BLOCK	NS	0130L00107 ROOM SENSOR (M4)													
441	0130M00264 RELAY, THERMISTOR (M2, M3, M4, M5, M7, M8, M10, M11, M12, M13)	NS	0259L00090 WIRE HARNESS-SMOKE DETECTOR (M5, M11)													
		Expanded Model Nomenclature														
451	10135604 RELAY (M2, M3, M4, M5, M7, M8, M10, M11, M12, M13)	<table border="1"> <tr><td>M1 - DCC300XXX3BXXXAA</td></tr> <tr><td>M2 - DCC300XXX3BXXXAB</td></tr> <tr><td>M3 - DCC300XXX3BXXXAC</td></tr> <tr><td>M4 - DCC300XXX4BFXXAB</td></tr> <tr><td>M5 - DCC300XXX4BXXDAB</td></tr> <tr><td>M6 - DCC300XXX4BXXXAA</td></tr> <tr><td>M7 - DCC300XXX4BXXXAB</td></tr> <tr><td>M8 - DCC300XXX4BXXXAC</td></tr> <tr><td>M9 - DCC300XXX7BXXXAA</td></tr> <tr><td>M10 - DCC300XXX7BXXXAB</td></tr> <tr><td>M11 - DCC3000464BAXNAB</td></tr> <tr><td>M12 - DCC3000603BHXAAB</td></tr> <tr><td>M13 - DCC3000604BJXXAB</td></tr> </table>		M1 - DCC300XXX3BXXXAA	M2 - DCC300XXX3BXXXAB	M3 - DCC300XXX3BXXXAC	M4 - DCC300XXX4BFXXAB	M5 - DCC300XXX4BXXDAB	M6 - DCC300XXX4BXXXAA	M7 - DCC300XXX4BXXXAB	M8 - DCC300XXX4BXXXAC	M9 - DCC300XXX7BXXXAA	M10 - DCC300XXX7BXXXAB	M11 - DCC3000464BAXNAB	M12 - DCC3000603BHXAAB	M13 - DCC3000604BJXXAB
M1 - DCC300XXX3BXXXAA																
M2 - DCC300XXX3BXXXAB																
M3 - DCC300XXX3BXXXAC																
M4 - DCC300XXX4BFXXAB																
M5 - DCC300XXX4BXXDAB																
M6 - DCC300XXX4BXXXAA																
M7 - DCC300XXX4BXXXAB																
M8 - DCC300XXX4BXXXAC																
M9 - DCC300XXX7BXXXAA																
M10 - DCC300XXX7BXXXAB																
M11 - DCC3000464BAXNAB																
M12 - DCC3000603BHXAAB																
M13 - DCC3000604BJXXAB																
541	0259L00368 CURRENT SWITCH WITH TERMS (M4)															
561	PCBCG100 PCB, CONTROL, HP, GAS (M4)															
701	802007090 TERMINAL BOARD (M1, M2, M3, M5, M6, M7, M8, M9, M10, M11, M12, M13)															
721	0130M00274 TERMINAL BOARD (M4)															
NS	0130L00112 DUCT TEMP SENSOR-OE230G (M4)															
NS	0130L00101 FUSE, J CLASS (QTY 3)															
NS	0130L00102 FUSE, J CLASS (QTY 3)															
NS	0259L00248 HARN, BC_CCR, 1 SPD EM (M2, M3, M4, M5, M7, M8, M10, M11, M12, M13)															
NS	0259L00450 HARN, CC_CMC (M4)															
NS	0259L00451 HARN, CH, C1 (M4)															
NS	0259L00452 HARN, CH, C2 (M4)															
NS	0259L00212 HARN, CH/LPS/HPS, C1 (M1, M6, M9)															
NS	0259L00278 HARN, CH/LPS/HPS, C1 (M2, M3, M4, M5, M7, M8, M10, M11, M12, M13)															
NS	0259L00213 HARN, CH/LPS/HPS, C2 (M1, M6, M9)															
NS	0259L00279 HARN, CH/LPS/HPS, C2 (M2, M3, M4, M5, M7, M8, M10, M11, M12, M13)															
NS	0259L00207 HARN, CNTL, BR_CCR, 1SPD EM (M1, M6, M9)															
NS	0259L00208 HARN, CNTL, COOL (M1, M6, M9)															
NS	0259L00284 HARN, CNTL, COOL (M2, M3, M4, M5, M7, M8, M10, M11, M12, M13)															
NS	0259L00202 HARN, CNTL,CC_CM (M1, M6, M9)															
NS	0259L00463 HARN, COMP1-CCH-HPS-LPS (M4)															
NS	0259L00462 HARN, COMP2-CCH-HPS-LPS (M4)															
NS	0259L00455 HARN, DDC 10 PIN CONN (M4)															
NS	0259L00458 HARN, DDC 12 PIN CONN 1SPD (M4)															
NS	0259L00453 HARN, DDC 2 PIN CONN (M4)															
NS	0259L00454 HARN, DDC 6 PIN CONN (M4)															
NS	0259L00457 HARN, DDC 8 PIN CONN (M4)															
NS	0259L00235 HARN, IGN, SUB-ASSY 5															
NS	0259L00456 HARN, PWR CNTL TR1 (M4)															
NS	0259L00219 HARN, PWR, CM PIGTAIL (QTY 4)															
NS	0259L00218 HARN, PWR, CM, C1															
NS	0259L00217 HARN, PWR, CM, C2															
NS	0259L00215 HARN, PWR, CMC INTERCONN (M1, M6, M9)															
NS	0259L00196 HARN, PWR, EM, 1 SPD															
NS	0259L00222 HARN, PWR, FB TO EM_CM, 1 SPD															

Accessory Parts List

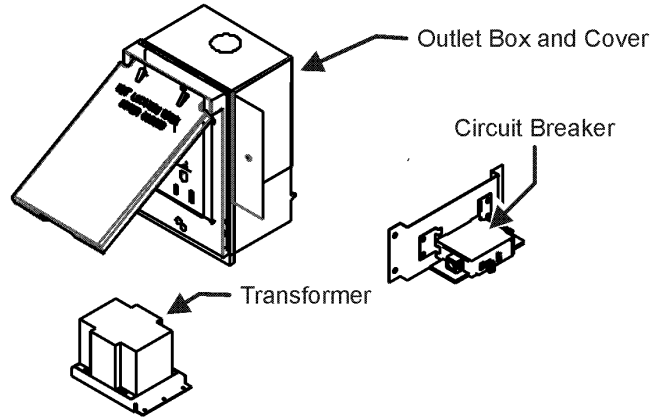
ACCESSORY PARTS LIST

NOTE: NOT ALL OPTIONS AVAILABLE FOR ALL PRODUCTS

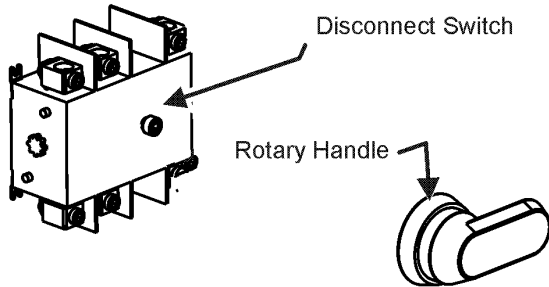
1 LOW AMBIENT KITS



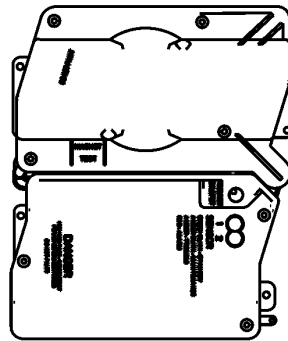
2 GFCI CONVENIENCE OUTLET



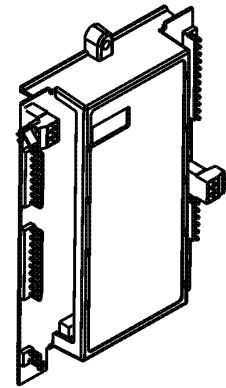
3 DISCONNECT MODULE (NON-FUSED)



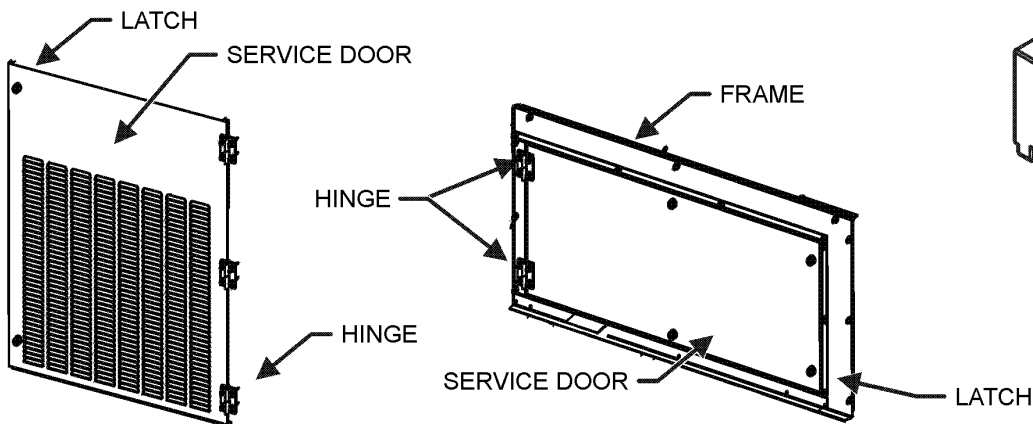
4 SMOKE DETECTORS



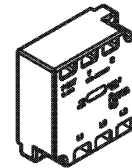
5 DDC CONTROL



6 HINGED DOOR ASSEMBLIES



7 PHASE MONITOR



Accessory Parts List

Ref. Part No: No:	Description:	Ref. Part No: No:	Description:
<i>Image 1:</i>			
NS 1036611B	15-25T DFLOW ECON, DDC (M11, M13)		
NS 10366D11B	15-25T DFLOW ECON, DDC (M4)		
NS 0121L00316	BRACKET-CONV OUTLET MOUNT (M11, M12)		
NS 0121L00855	BRACKET-DISCONNECT SWITCH (M12, M13)		
NS 0121L01053	BRACKET-SMOKE DETECTOR (M5, M11)		
NS 0130M00065	CIRCUIT BREAKER, CONVENIENCE OUTLET (M11)		
NS 0121L00839NG	DISCONNECT COVER (M12, M13)		
NS EHK4-46	ELECTRIC HEATER KIT (M11)		
NS EHK4-60	ELECTRIC HEATER KIT (M13)		
NS 0130L00012	GANG BOX-GFCI OUTLET (M11, M12)		
NS 0130L00039	HANDLE, ROTARY (M12, M13)		
NS 0161G00012	POWER OUTLET BOX (M11, M12)		
NS 0130L00103	RECEPTACLE-GFCI OUTLET (M11, M12)		
NS 0130L00043	SHAFT, CUT (M12)		
NS 0130L00058	SHAFT, CUT (M13)		
NS 0130L00049	SHAFT, DISCONNECT (M12, M13)		
NS D4120	SMOKE DETECTOR, PHOTO 4WIRE (M5, M11)		
NS 0130L00027	SWITCH-DISCONNECT 100A (M13)		
NS 0130L00033	SWITCH-DISCONNECT 200A (M12)		
NS 0130M00061	TRANSFORMER, CONVENIENCE OUTLET (M11)		

Expanded Model Nomenclature

M1 - DCC300XXX3BXXXAA
M2 - DCC300XXX3BXXXAB
M3 - DCC300XXX3BXXXAC
M4 - DCC300XXX4BFXXAB
M5 - DCC300XXX4BXXDAB
M6 - DCC300XXX4BXXXAA
M7 - DCC300XXX4BXXXAB
M8 - DCC300XXX4BXXXAC
M9 - DCC300XXX7BXXXAA
M10 - DCC300XXX7BXXXAB
M11 - DCC3000464BAXNAB
M12 - DCC3000603BHXAAB
M13 - DCC3000604BJXXAB