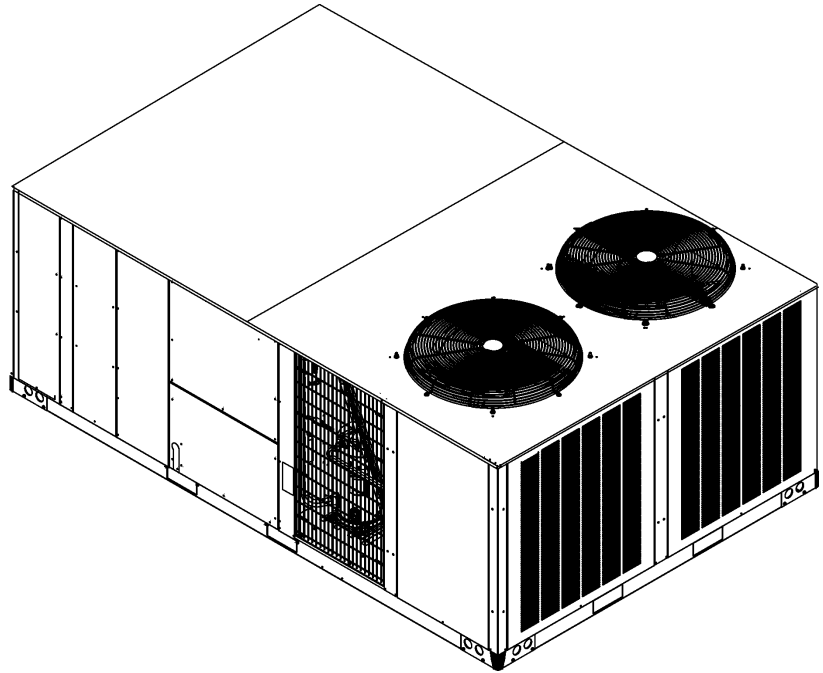

Commercial 25 Ton High Static Package Cooling Units

DCC3000314HXXXAB



This manual is to be used by qualified technicians only.

© 2017 **DAIKIN COMPANY, L.P.** ♦ 5151 San Felipe St., Suite 500 ♦ Houston, TX 77056

Important Information

Index

Functional Parts List	3
Illustration and Parts	4 - 19

Views shown are for parts illustrations only, not servicing procedures

Text Codes:

AR - As Required

NA - Not Available

NS - Not Shown

00000000 - See Note

QTY - Quantity Example (QTY 3) (If Quantity not shown, Quantity = 1)

M - Model Example (M1) (If M Code not shown, then part is used on all Models)

Expanded Model Nomenclature:

Example M1 - Model#1 M2 - Model#2 M3 - Model#3

Daikin Company, L.P. is not responsible for personal injury or property damage resulting from improper service. Review all service information before beginning repairs.

Warranty service must be performed by an authorized technician, using authorized factory parts. If service is required after the warranty expires, Daikin Company, L.P. also recommends contacting an authorized technician and using authorized factory parts.

Daikin Company, L.P. reserves the right to discontinue, or change at any time, specifications or designs without notice or without incurring obligations.

For assistance within the U.S.A. contact:

Equipment Support
Daikin North America, LLC
19001 Kermier Road
Waller, Texas 77484
855-770-5678-Telephone
713-863-2382-Facsimile

For assistance outside the U.S.A. contact:

International Division
Daikin North America, LLC
19001 Kermier Road
Waller, Texas 77484
713-861-2500-Telephone
713-863-2382-Facsimile

Functional Parts

Part

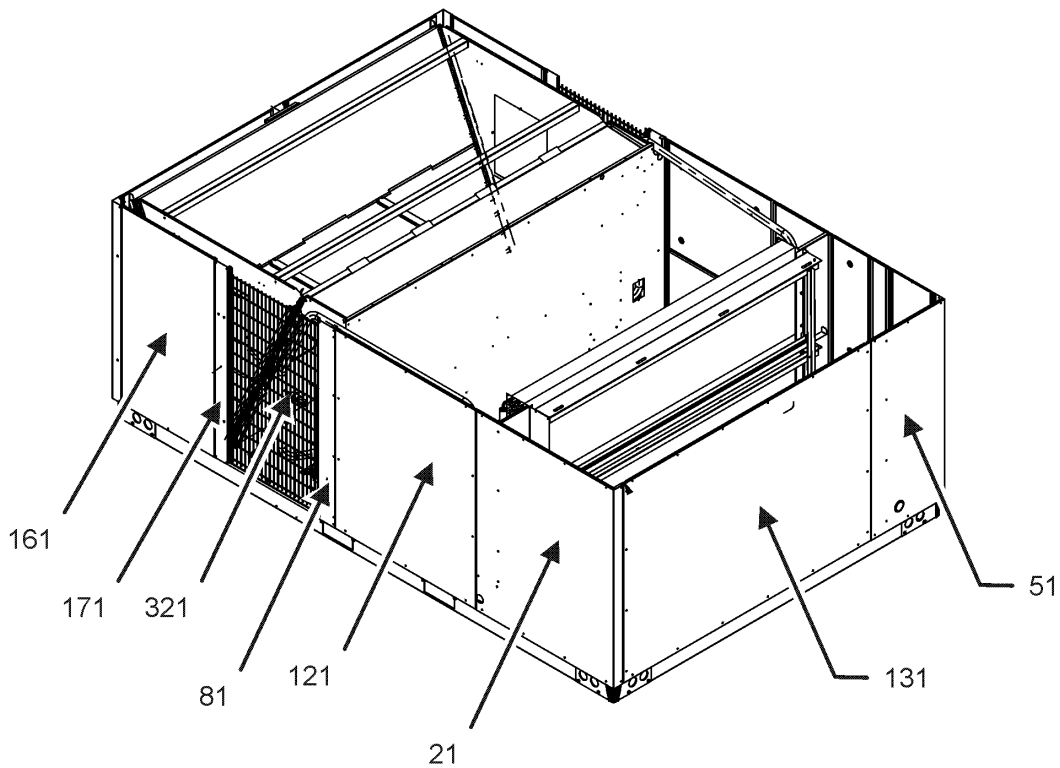
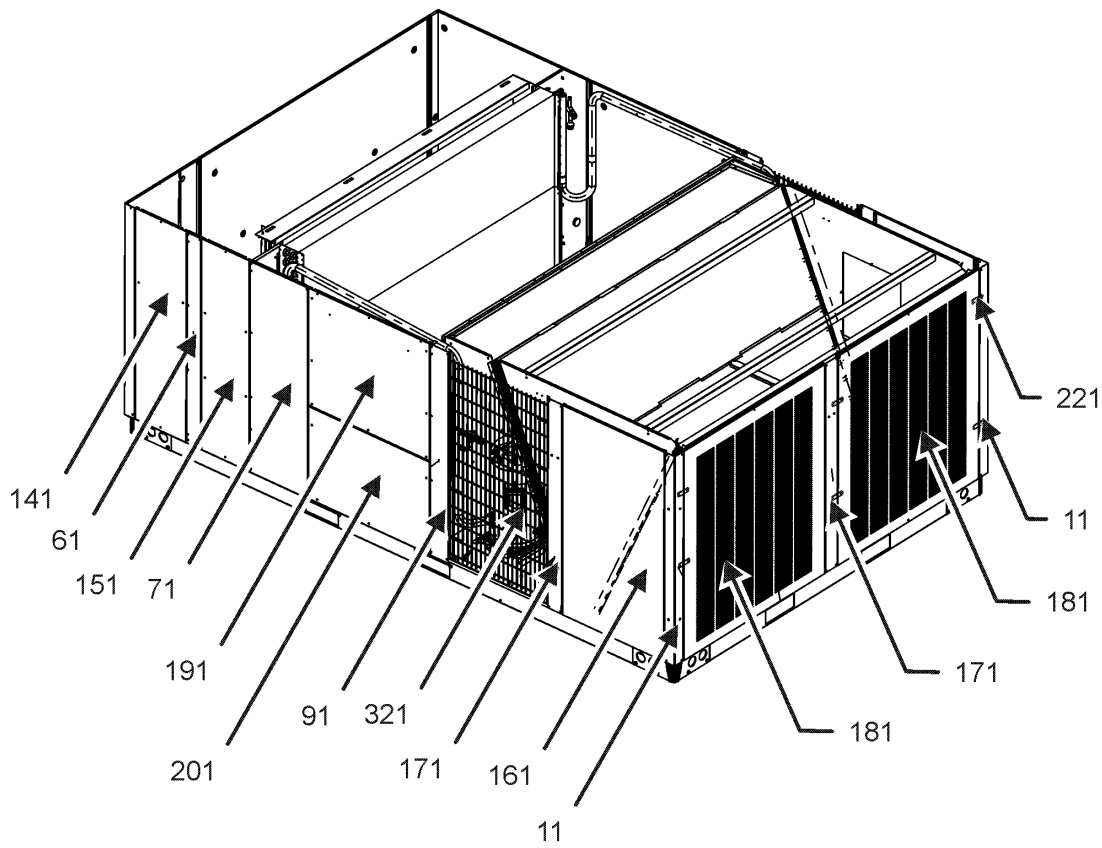
No: Description:

0271L00027	150-15R BD 1.44 TWIN BLOWER
0130M00242	24V RELAY (QTY 2)
0130M00249	AUXILLARY SWITCH (QTY 2)
ZP137KCETFD155	COMPRESSOR 135,000, 460/60/3 (QTY 2)
CONT3P030024V	CONTACTOR 30 AMP, 3P, 24V (QTY 5)
0130L00021	CRANK CASE HEATER, 90W, 480V (QTY 2)
0130M00074	CUT-OUT SWITCH, HIGH PRESSURE (QTY
0130M00042	DISTRIB. BLOCK, 7.5-25 TON
PCBFM103	ELECTRONIC BLOWER TIME DELAY
0164L00008	FAN BELT, NOTCHED
0121L00053	FLAME ROLLOUT BRACKET
0130M00087	LOW PRESSURE SWITCH (QTY 2)
0131L00051	MOTOR, 7.5 HP BD 230,460V
10135604	RELAY
0130M00264	RELAY, THERMISTOR
802007090	TERMINAL BOARD
0130M00240	TERMINAL BOARD
0130M00145	TRANSFORMER 480V to 24V, 75VA

Expanded Model Nomenclature

M1 - DCC3000314HXXXAB

Cabinet Assembly



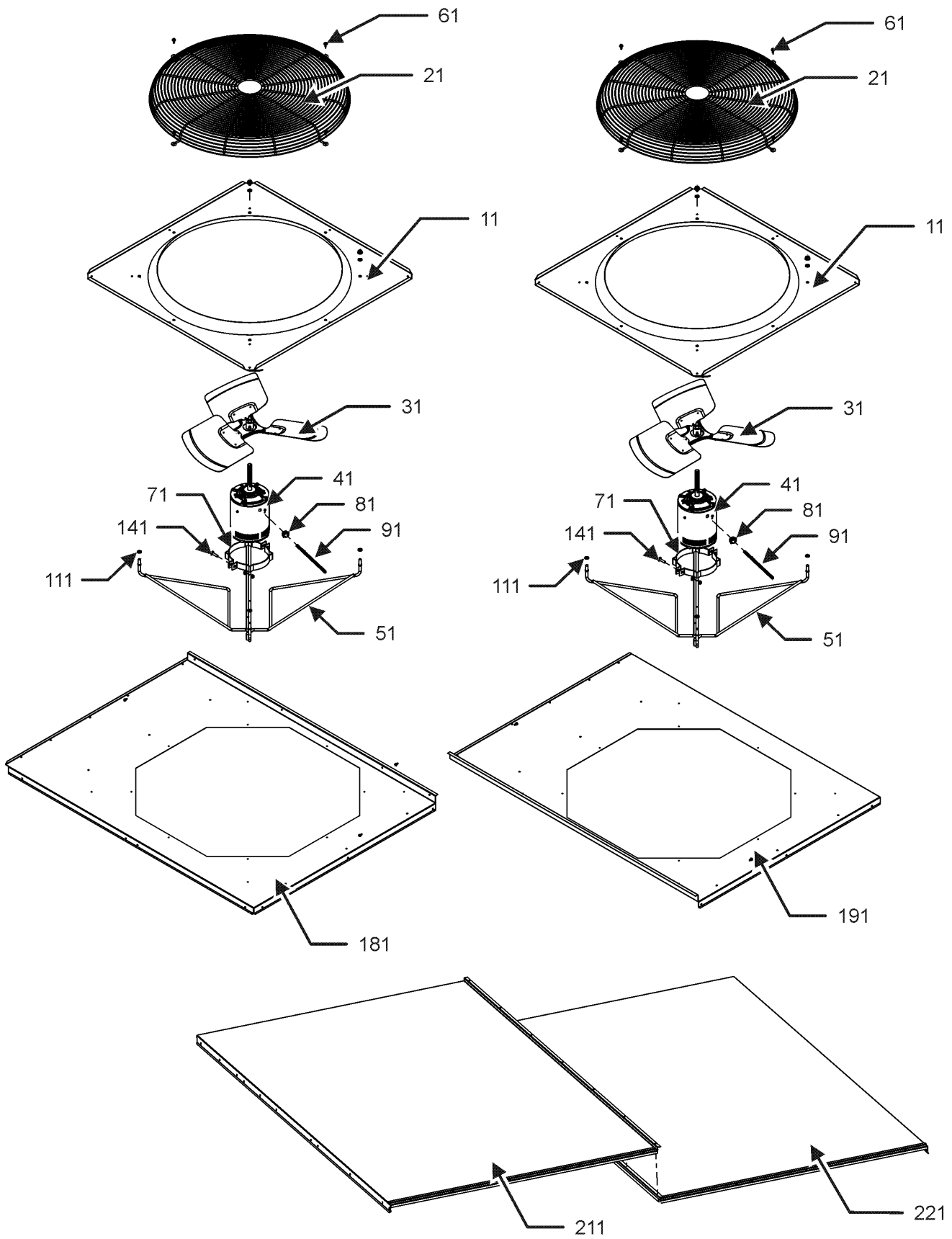
Cabinet Assembly

Ref. Part No: No:	Description:	Ref. Part No: No:	Description:
<i>Image 1:</i>			
11	0121L01143NG	POST, CORNER (QTY 2)	
21	0121L00681NG	EVAPORATOR PANEL	
51	0121L00679NG	CONTROL CORNER PANEL	
61	0121L02048NG	CONTROL/FILTER POST	
71	0121L00710NG	POST/BLOWER DOOR	
81	0121L00903NG	POST PARTITION-EVAP SIDE	
91	0121L00906NG	POST-PARTITION, (COOL) HT	
121	0121L00685NG	BLOWER DOOR-EVAP SIDE	
131	0121L00688NG	ACCESSORY PANEL	
141	0121L00687NG	CONTROL DOOR	
151	0121L00686NG	FILTER DOOR	
161	0121L00907NG	PANEL-COND SIDE (QTY 2)	
171	0121L01144NG	POST, COND PANEL (QTY 3)	
181	0121L01174NG	LOUVER PANEL (QTY 2)	
191	0121L00713NG	BLOWER DOOR-GAS SIDE	
201	0121L00708NG	DOOR-ELECTRIC HEAT	
221	0121L00476NG	TURNBUCKLE DOOR (QTY 16)	
321	0152L00000	GRILLE-CONDENSER (QTY 2)	
NS	M0204317	SCREW-MACHINE (QTY 16)	

Expanded Model Nomenclature

M1 - DCC3000314HXXXAB

Top Panel Assembly



Top Panel Assembly

Ref. Part No: No:	Description:	Ref. Part No: No:	Description:
-------------------	--------------	-------------------	--------------

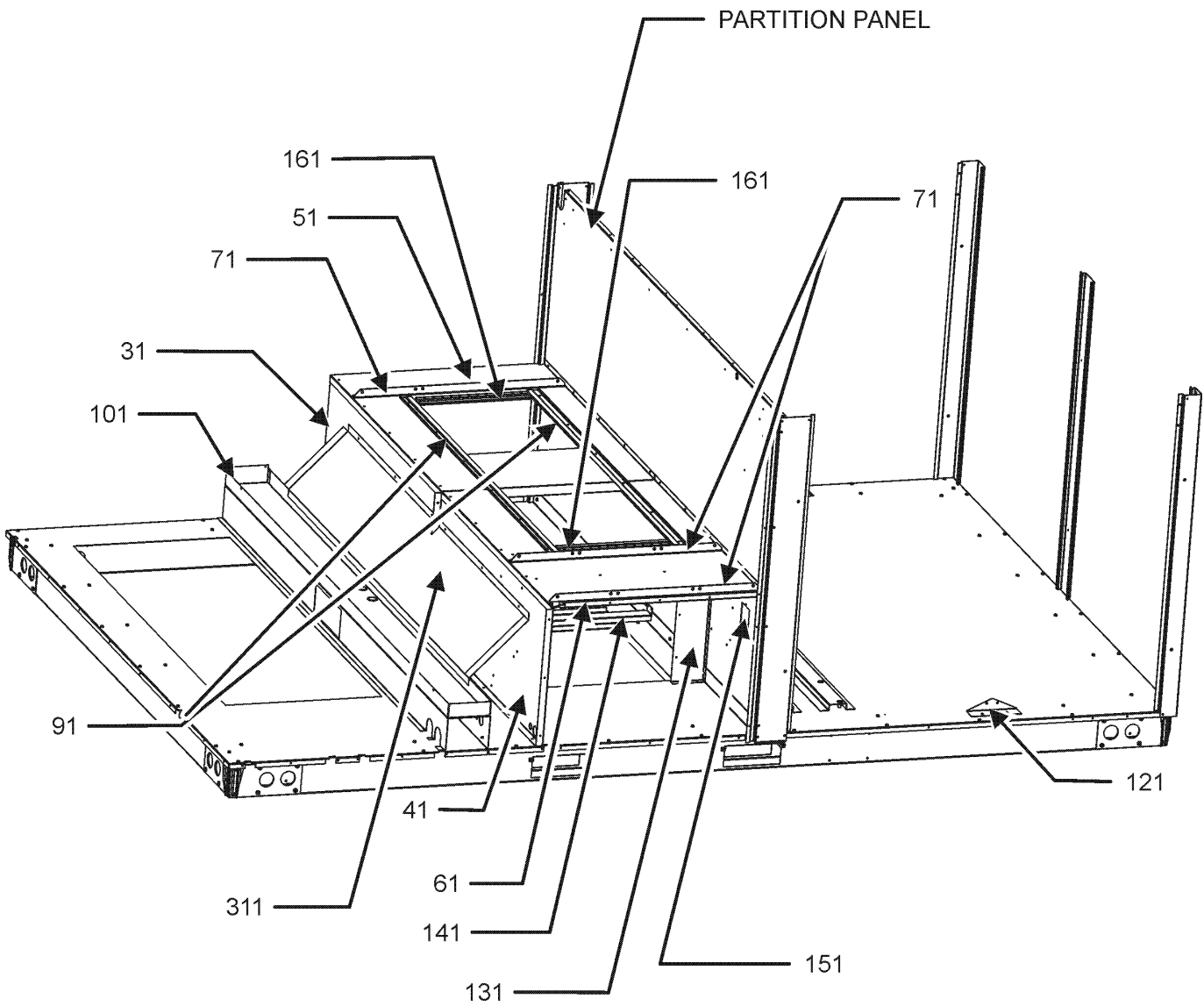
Image 1:

11	0121L01151NG	FAN PANEL 30" (QTY 2)
21	0152L00003	FAN GRILLE (QTY 2)
31	0150M00044	FAN BLADE (QTY 2)
41	0131M00697	MOTOR, COND (QTY 2)
51	0163L00080	MOTOR MOUNT (QTY 2)
61	0163M00097	WASHERED SCREW (QTY 8)
71	0163L00082	MOTOR CLAMP BAND (QTY 2)
81	B1393726	ELECT. CONNECTING BUSHING (QTY 2)
91	0259L00219	POWER HARNESS, CM PIGTAIL (QTY 2)
111	B1392912	FLAT WASHER 3/8 ID X 7/8 OD (QTY 16)
141	0163M00275	CARRIAGE BOLT (QTY 4)
181	0121L01081NG	TOP, FAN C1
191	0121L01094NG	TOP, FAN C2
211	0121L00693NG	TOP-CONTROL SIDE
221	0121L00694NG	TOP PANEL ASSY

Expanded Model Nomenclature

M1 - DCC3000314HXXXAB

Partition Assembly



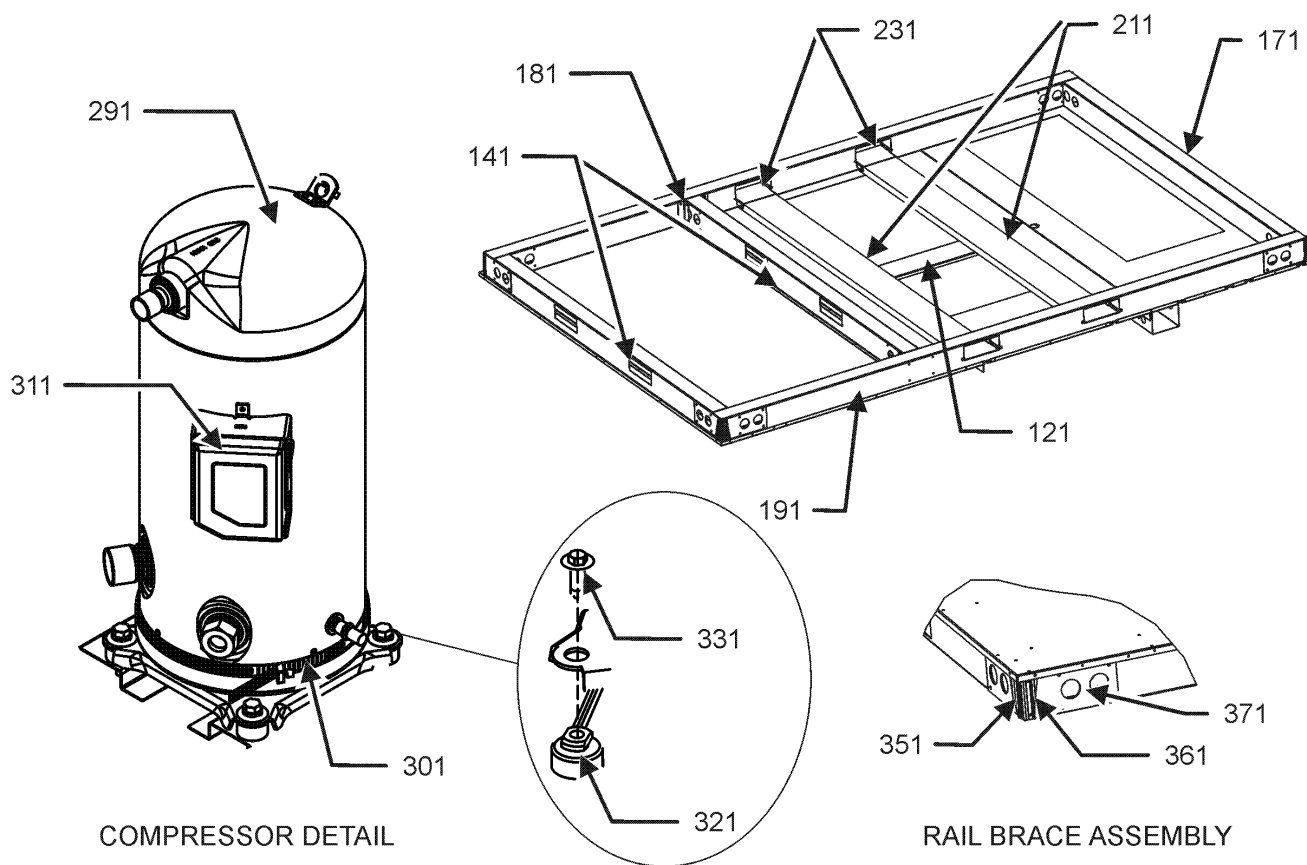
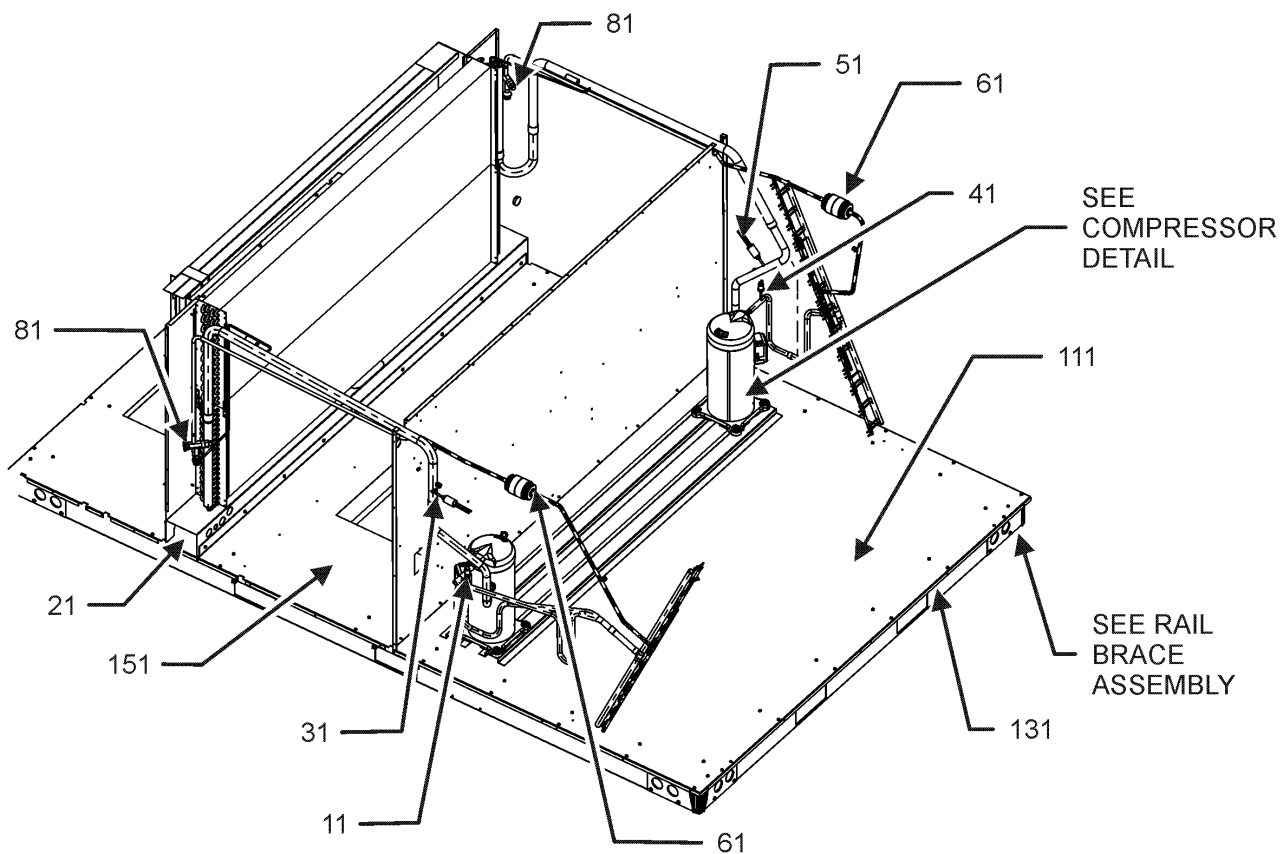
Partition Assembly

Ref. Part No: No:	Description:	Ref. Part No: No:	Description:
<i>Image 1:</i>			
31	0121L01163		DECK SIDE, DUCT END
41	0121L01162		DECK SIDE, HT END
51	0121L01160		BLOWER DECK, EVAP SIDE
61	0121L01161		BLOWER DECK, MOTOR SIDE
71	0121L01431		MOTOR MOUNT ANGLE (QTY 3)
91	0121L00478		BLOWER DECK RAIL (QTY 2)
101	0270L00612DG		WELDMENT-DRAIN PAN
121	0121L00913		BRACKET-COND/BASEPAN (QTY 2)
131	0121L00591		ELECTRIC HEAT MOUNTING PLATE
141	0121L00592		ELECTRIC HEAT SUPPORT
151	0121L00593		FLUE HOLE COVER
161	0121L00481		BLOWER RAIL (QTY 2)
311	0121L01158		SHIELD-BLOWOFF
NS	0121L00321		SMOKE DETECTOR COVER

Expanded Model Nomenclature

M1 - DCC3000314HXXXAB

Basepan, Compressor and Tubing Assembly



Basepan, Compressor and Tubing Assembly

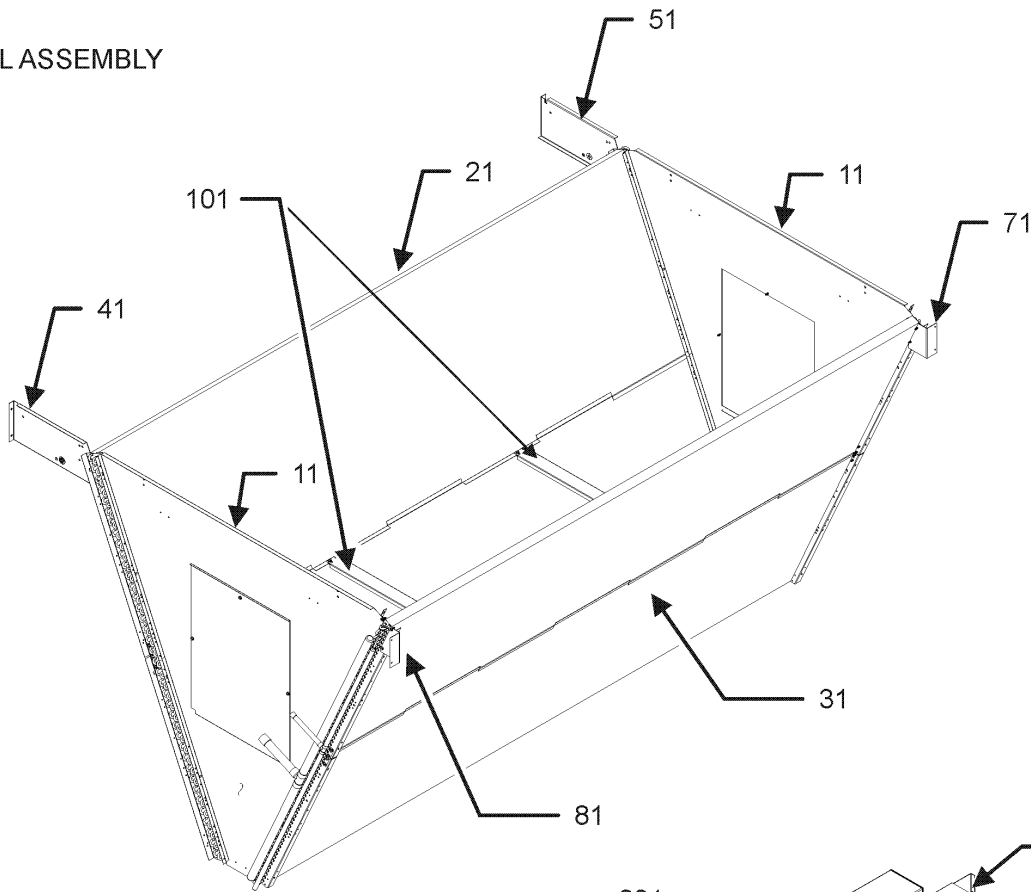
Ref. Part No: No:	Description:	Ref. Part No: No:	Description:
<i>Image 1:</i>			
11	0130M00074		CUT-OUT SWITCH, HIGH PRESSURE
21	0270L00189		BASEPAN WELDMENT, RETURN SIDE
31	0130M00087		CUT-OUT SWITCH, LOW PRESSURE
41	0130M00074		HIGH PRESSURE SWITCH
51	0130M00087		CUT-OUT SWITCH, LOW PRESSURE
61	0162L00025		FILTER DRIER (QTY 2)
81	0210L00470		TXV WELDMENT (QTY 2)
111	0270L00336		BASEPAN WELD, OUTDOOR
121	0121L00605		FORK BOARD PLATE
131	0121L00720		SIDE RAIL
141	0121L00721		BASE RAIL, CONDENSER END (QTY 2)
151	0121L00948		BASE PAN-SUPPLY
171	0121L00722		BASE RAIL, ACCESSORY END
181	0121L00625		COMPRESSOR RAIL BRACKET (QTY 4)
191	0121L00719		CONTROL SIDE BASE RAIL
211	0141L00029		FORK BOARD (QTY 2)
231	0121L00724		FORK BOARD BRACKET (QTY 4)
291	ZP137KCETFD155		COMPRESSOR 135,000, 460/60/3 (QTY 2)
301	0130L00021		CRANK CASE HEATER, 90W, 480V (QTY 2)
311	0159L00063		COMPRESSOR SCROLL HARNESS
311	0159L00064		COMPRESSOR SCROLL HARNESS
321	0164M00018		COMPRESSOR GROMMET (QTY 8)
331	B1393740		COMPRESSOR BOLT & SLEEVE (QTY 8)
351	0121L00616		RAIL BRACE ANGLE, RIGHT (QTY 4)
361	0121L00617		RAIL BRACE ANGLE, LEFT (QTY 4)
371	0121L00723		BASE RAIL CORNER BRACE (QTY 4)
NS	0163M00175		CAP WITH O-RING (QTY 6)

Expanded Model Nomenclature

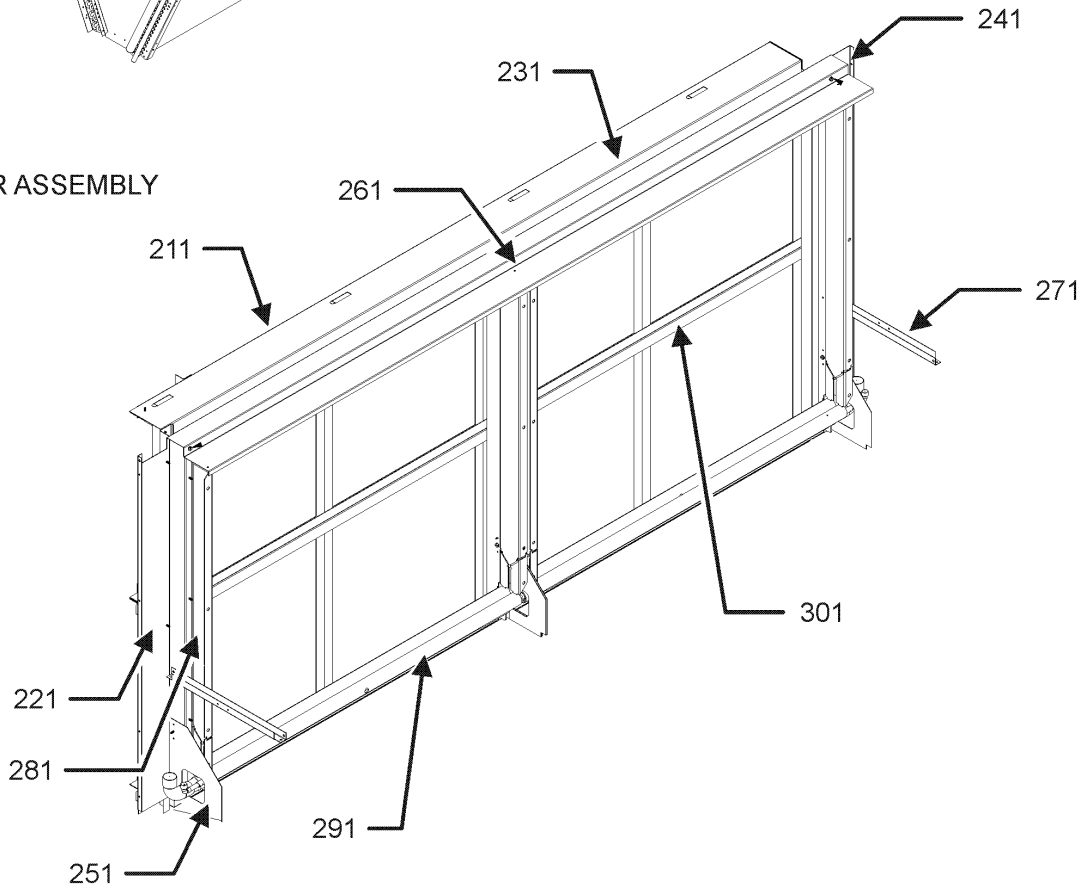
M1 - DCC3000314HXXXAB

Condenser and Evaporator Assembly

COIL ASSEMBLY



EVAPORATOR ASSEMBLY



Condenser and Evaporator Assembly

Ref. Part No: No:	Description:	Ref. Part No: No:	Description:
-------------------	--------------	-------------------	--------------

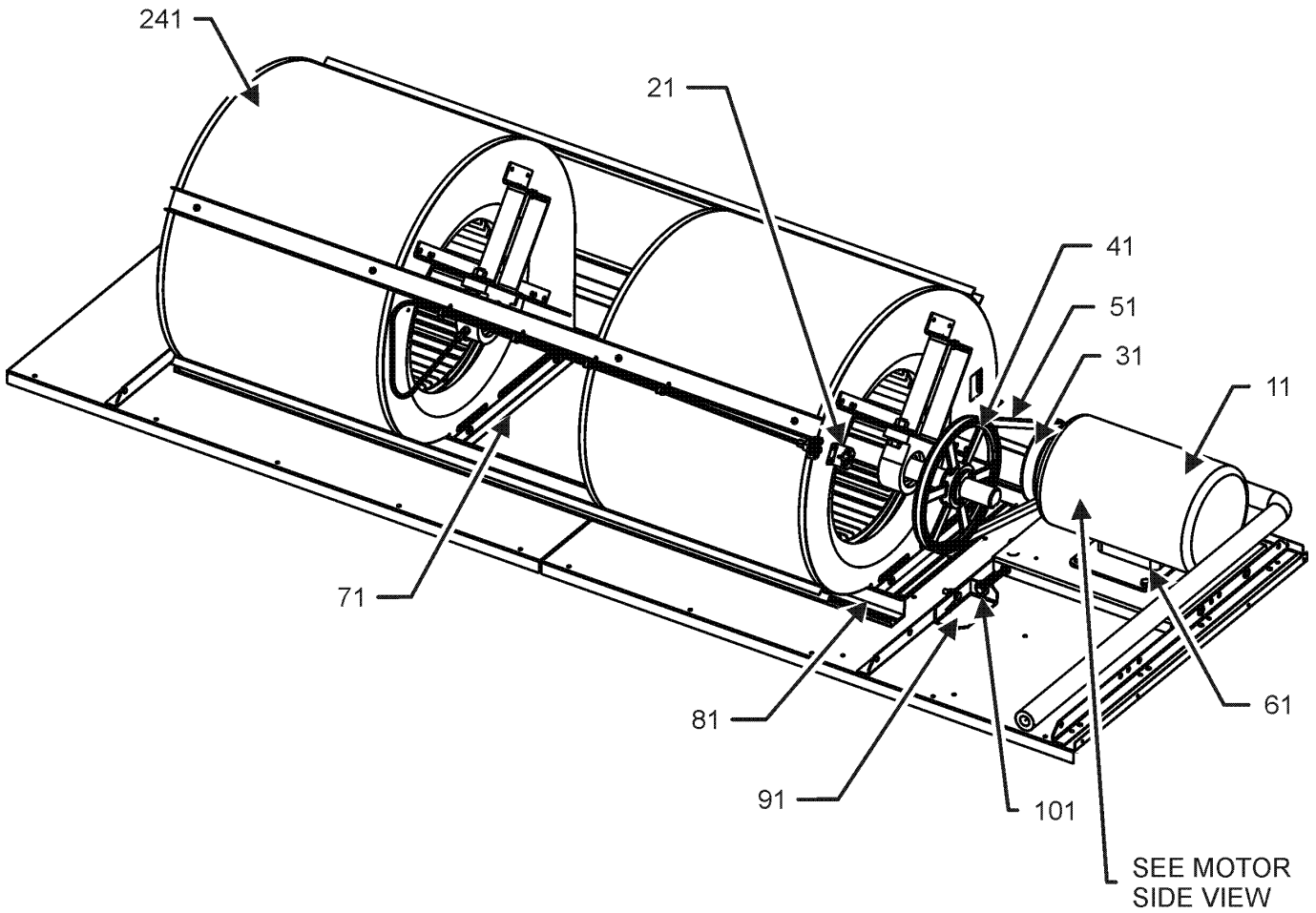
Image 1:

11	0121L00854	END COVER-CONDENSER (QTY 2)
21	0201L00151	CONDENSER COIL ASSY C1
31	0201L00152	CONDENSER COIL ASSY C2
41	0121L01154	BRACKET-CONDENSER END
51	0121L01156	BRACKET-CONDENSER END
71	0121L01153	BRACKET-COND/POST
81	0121L01155	BRACKET-COND/POST
101	0121L00901	COND COILS BRACE (QTY 2)
211	0202L00102	EVAP COIL ASSY C1
221	0121L01086	EVAP BLOCKOFF, RIGHT
231	0202L00103	EVAP COIL ASSY C2
241	0121L01085	EVAP BLOCKOFF, LEFT
251	0121L01133	END SUPPORT PLATE (QTY 2)
261	0121L01188	TOP FILTER RACK
271	0121L01164	EVAP COIL SUPPORT BRACKET (QTY 2)
281	0121L01184	ANGLE, FILTER RACK
291	0121L01187	BOTTOM FILTER RACK
301	0270L00614	CENTER FILTER RACK
NS	0160L00136	Air Filter 20x20x2 (QTY 8)
NS	0121L01178	ANGLED FILTER SLIDER (QTY 4)
NS	0121L01139	BOTTOM BLOCKOFF, FILTER RACK
NS	0121L01137	FILTER PULL (QTY 2)
NS	0121L00632	FILTER SUPPORT ANGLE
NS	0121L01089	MIDDLE EVAP BLOCKOFF, LEFT
NS	0121L01088	MIDDLE EVAP BLOCKOFF, RIGHT

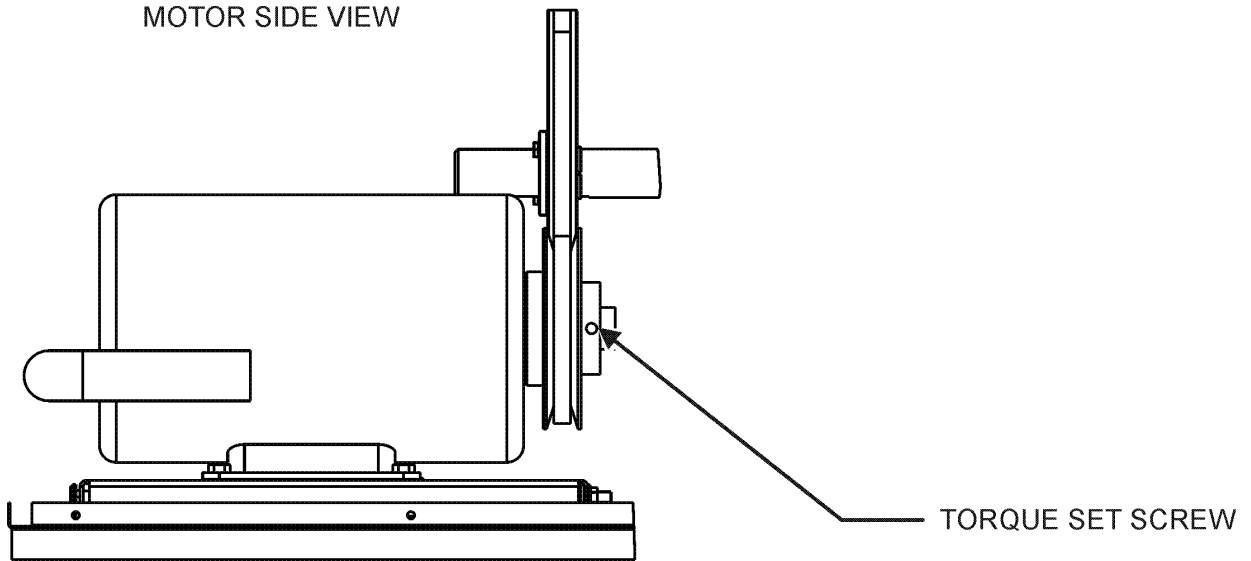
Expanded Model Nomenclature

M1 - DCC3000314HXXXAB

Blower Assembly



MOTOR SIDE VIEW



Blower Assembly

Ref. Part No: No:	Description:	Ref. Part No: No:	Description:
----------------------	--------------	----------------------	--------------

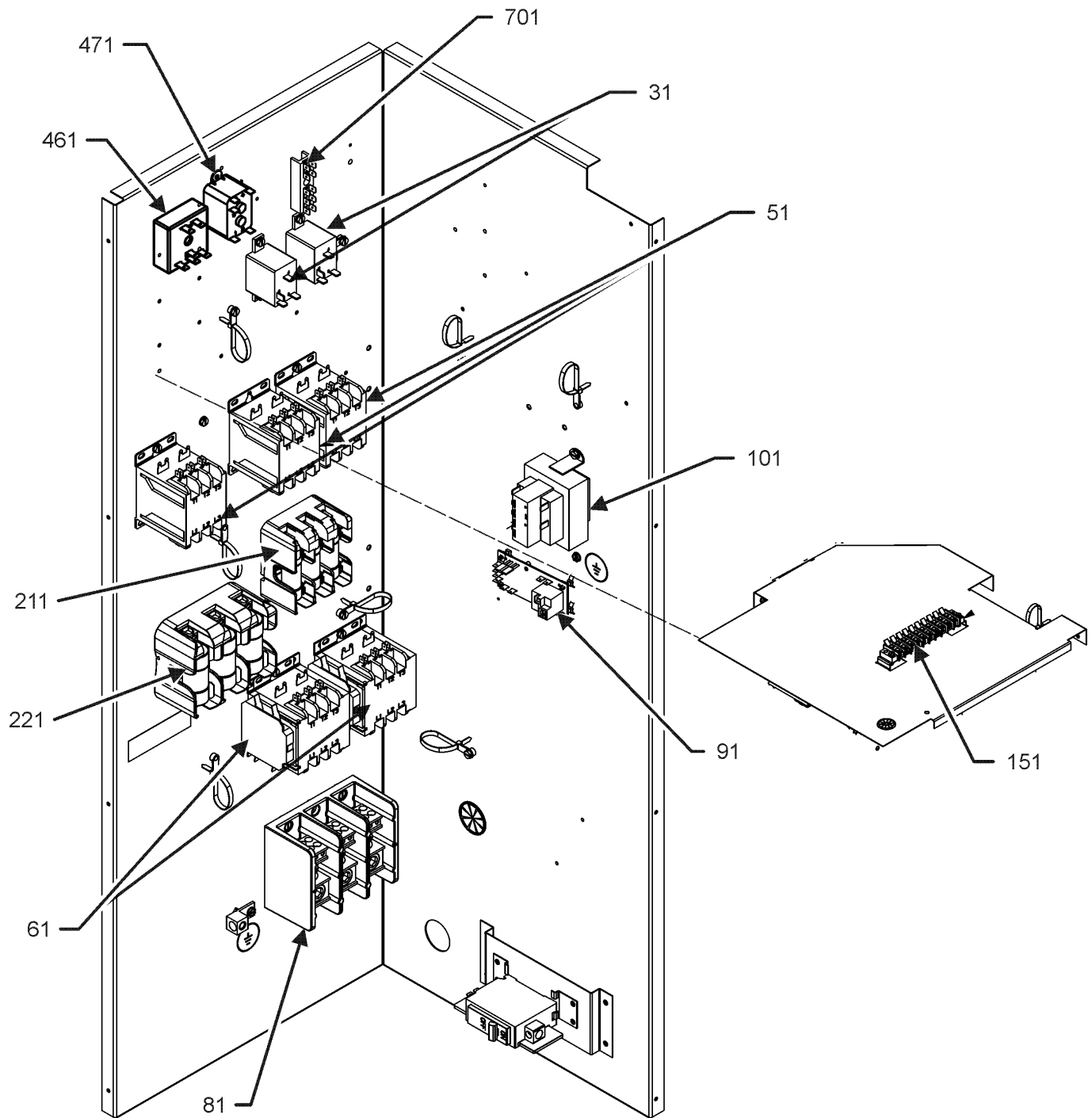
Image 1:

11	0131L00051	MOTOR, 7.5 HP BD 230,460V
21	0121L00053	FLAME ROLLOUT BRACKET
31	0163L00052	VARIABLE PITCH SHEAVE
41	0163L00151	SHEAVE, FIXED BK85H
51	0164L00008	FAN BELT, NOTCHED
61	0121L01430	BASE, MOTOR
71	0121L00482	BLOWER SIDE ANGLE (QTY 4)
81	0121L00479	BLOWER RAIL (QTY 2)
91	0121L01429	BRACKET, DRIVE SCREW
101	0163M00351	BOLT, 3/8-16-6
241	0271L00027	150-15R BD 1.44 TWIN BLOWER

Expanded Model Nomenclature

M1 - DCC3000314HXXXAB

Control Assembly



Control Assembly

Ref. Part No:	No:	Description:	Ref. Part No:	No:	Description:
Image 1:					
31	0130M00242	24V RELAY (QTY 2)			
51	CONT3P030024V	CONTACTOR 30 AMP, 3P, 24V (QTY 5)			
61	0130M00249	AUXILLARY SWITCH (QTY 2)			
81	0130M00042	DISTRIB. BLOCK, 7.5-25 TON			
91	PCBFM103	ELECTRONIC BLOWER TIME DELAY			
101	0130M00145	TRANSFORMER 480V to 24V, 75VA			
151	0130M00240	TERMINAL BOARD			
211	0130M00246	FUSE BLOCK			
221	0130M00247	FUSE BLOCK			
461	0130M00264	RELAY, THERMISTOR			
471	10135604	RELAY			
701	802007090	TERMINAL BOARD			
NS	0130L00101	FUSE, J CLASS (QTY 3)			
NS	0130L00102	FUSE, J CLASS (QTY 3)			
NS	0259L00248	HARN, BC_CCR, 1 SPD EM			
NS	0259L00278	HARN, CH/LPS/HPS, C1			
NS	0259L00279	HARN, CH/LPS/HPS, C2			
NS	0259L00284	HARN, CNTL, COOL			
NS	0259L00235	HARN, IGN, SUB-ASSY 5			
NS	0259L00219	HARN, PWR, CM PIGTAIL (QTY 4)			
NS	0259L00218	HARN, PWR, CM, C1			
NS	0259L00217	HARN, PWR, CM, C2			
NS	0259L00196	HARN, PWR, EM, 1 SPD			
NS	0259L00222	HARN, PWR, FB TO EM_CM, 1 SPD			
NS	0259L00221	HARN, PWR, PB TO CC1			
NS	0259L00220	HARN, PWR, PB TO CC2			
NS	0259L00199	HARN, PWR, PB TO FB			
NS	0259L00285	HARN,CNTL,COOL,SUBASSY 1, HT P			
NS	0259L00238	HARN,CNTL,COOL,SUBASSY 2,ECON			
NS	0259L00247	HARNESS, CC_CMC			
NS	0130M00042	POWER BLOCK			
NS	0259L00196	POWER HARNESS , EM, 1 SPD			
NS	0259L00199	POWER HARNESS, PB TO FB			

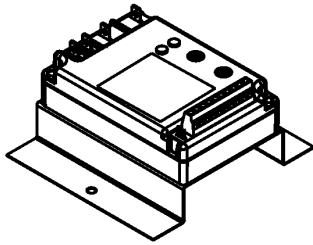
Expanded Model Nomenclature

M1 - DCC3000314HXXXAB

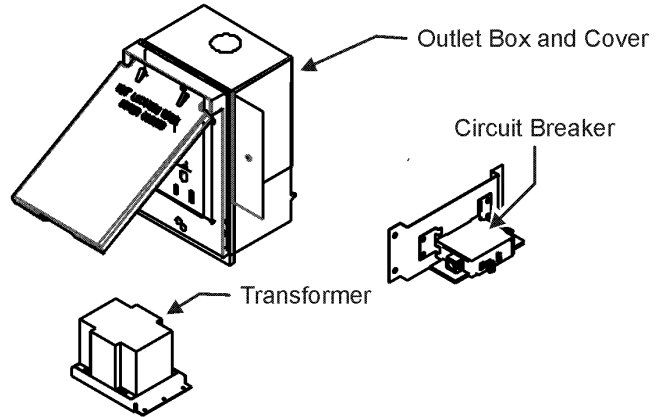
ACCESSORY PARTS LIST

NOTE: NOT ALL OPTIONS AVAILABLE FOR ALL PRODUCTS

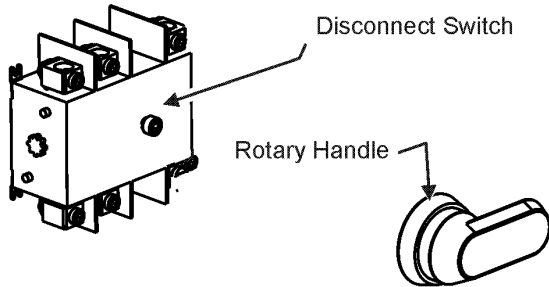
1 LOW AMBIENT KITS



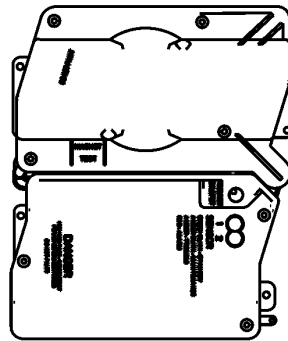
2 GFCI CONVENIENCE OUTLET



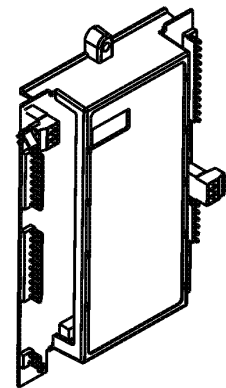
3 DISCONNECT MODULE (NON-FUSED)



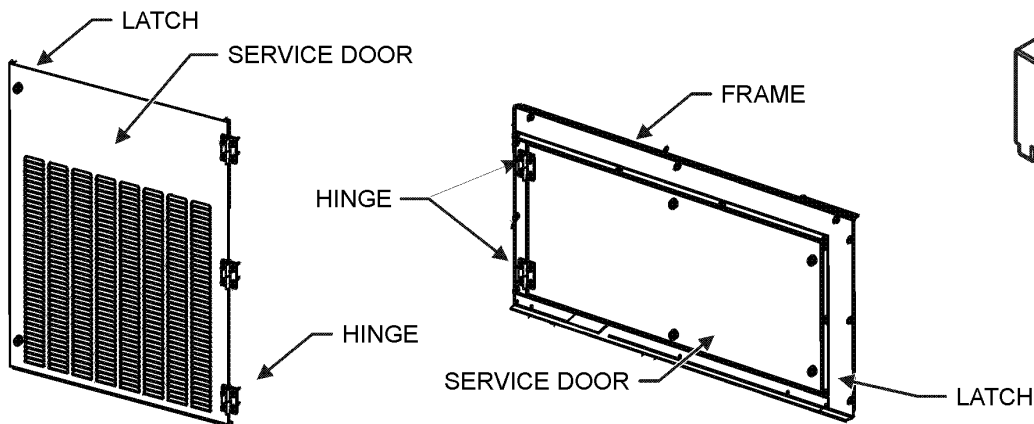
4 SMOKE DETECTORS



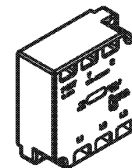
5 DDC CONTROL



6 HINGED DOOR ASSEMBLIES



7 PHASE MONITOR



Accessory Parts List

Ref. Part No: No:	Description:	Ref. Part No: No:	Description:
----------------------	--------------	----------------------	--------------

Image 1:

NS EHK4-31 ELECTRIC HEATER KIT

Expanded Model Nomenclature

M1 - DCC3000314HXXXAB