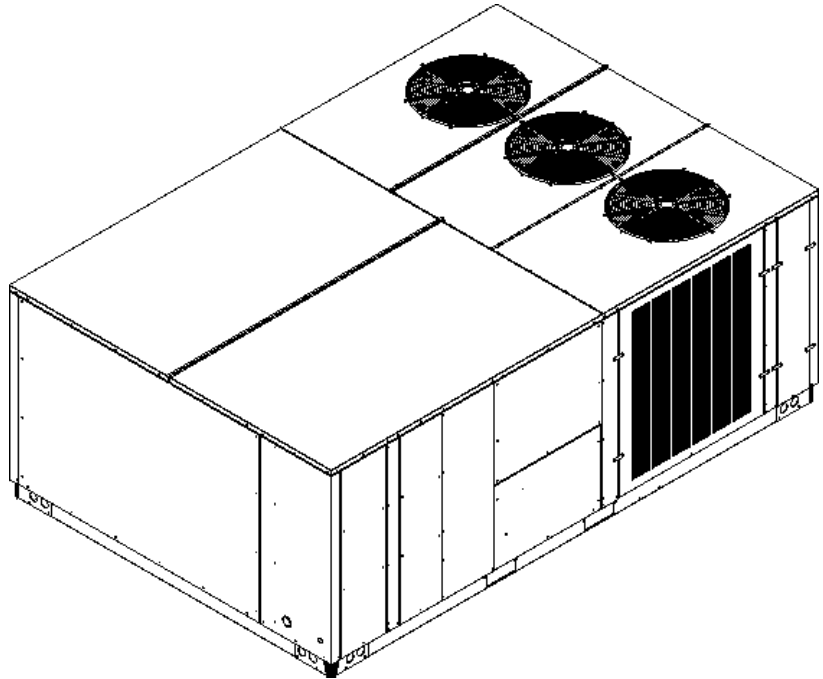


DCC 20 Ton 2-Speed Package Cooling Unit

DCC240XXX3VXXXAA
DCC240XXX3VXXXBA
DCC240XXX4VXXXAA
DCC240XXX4VXXXAB
DCC240XXX4VXXXBA
DCC240XXX7VXXXAA
DCC240XXX7VXXXAB
DCC240XXX7VXXXBA



This manual is to be used by qualified technicians only.

This manual replaces RP-D1041B.

© 2013-2014, 2016 **DAIKIN COMPANY, L.P.** ♦ 5151 San Felipe St., Suite 500 ♦ Houston, TX 77056

Important Information

Index

Functional Parts List	3
Illustration and Parts	4 - 19

Views shown are for parts illustrations only, not servicing procedures

Text Codes:

AR - As Required

NA - Not Available

NS - Not Shown

00000000 - See Note

QTY - Quantity Example (QTY 3) (If Quantity not shown, Quantity = 1)

M - Model Example (M1) (If M Code not shown, then part is used on all Models)

Expanded Model Nomenclature:

Example M1 - Model#1 M2 - Model#2 M3 - Model#3

Daikin Company, L.P. is not responsible for personal injury or property damage resulting from improper service. Review all service information before beginning repairs.

Warranty service must be performed by an authorized technician, using authorized factory parts. If service is required after the warranty expires, Daikin Company, L.P. also recommends contacting an authorized technician and using authorized factory parts.

Daikin Company, L.P. reserves the right to discontinue, or change at any time, specifications or designs without notice or without incurring obligations.

For assistance within the U.S.A. contact:

Consumer Affairs Department

Daikin North America, LLC

7401 Security Way

Houston, Texas 77040

855-770-5678-Telephone

713-863-2382-Facsimile

For assistance outside the U.S.A. contact:

International Division

Daikin North America, LLC

7401 Security Way

Houston, Texas 77040

713-861-2500-Telephone

713-863-2382-Facsimile

Functional Parts

Part

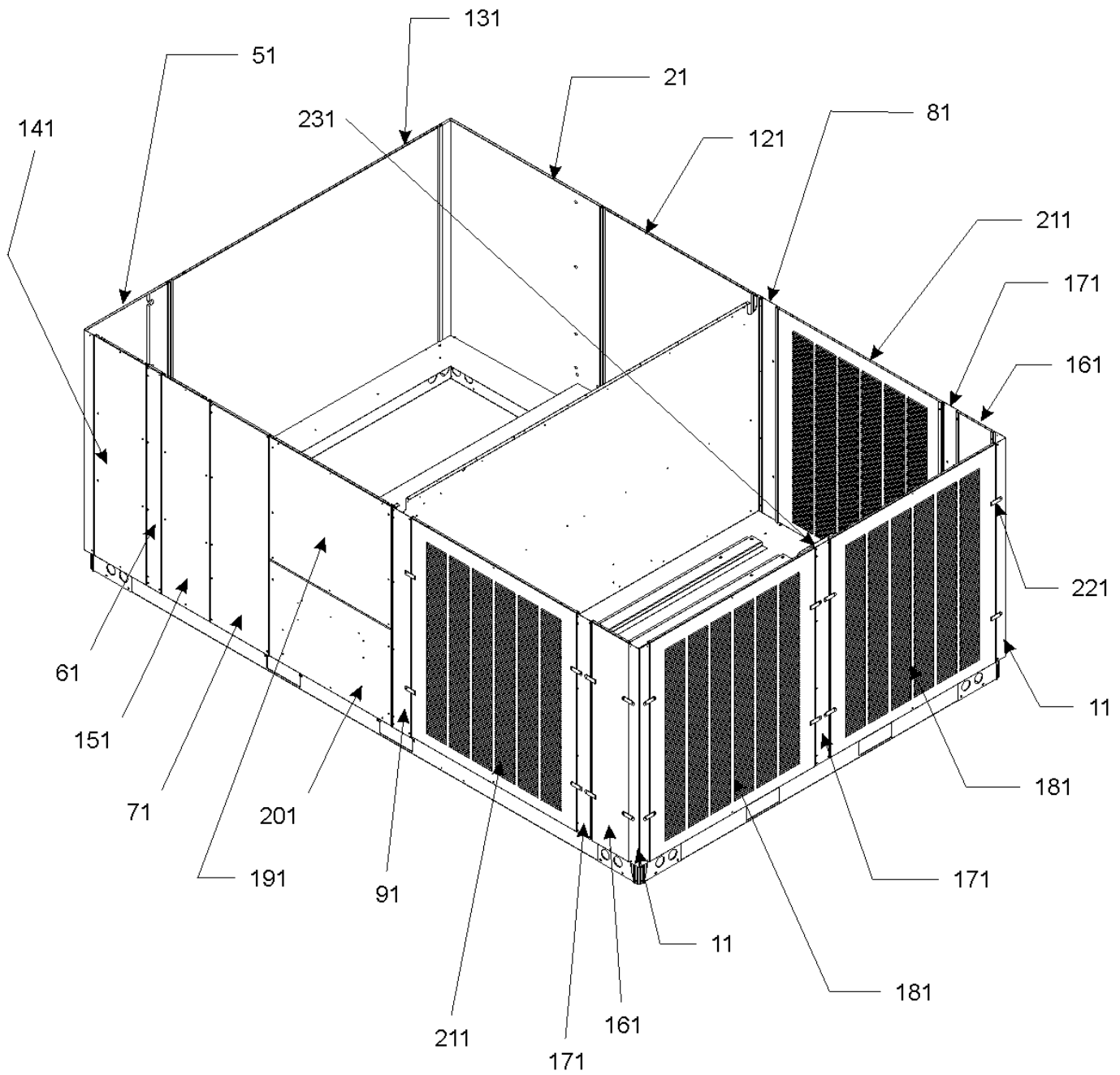
No: Description:

0271L00027	150-12R BD 1.18 TWIN BLOWER
0130M00025	24V RELAY (QTY 2)
CAP100000370LA	CAPACITOR 10/370V (M1, M2, M4, M5)
CAP050000370LA	CAPACITOR 5/370V (M3, M6)
CAP050000440LA	CAPACITOR 5/440V (M7, M8)
ZP122KCETFD155	COMP, 124000, 460/60/3 (M5)
ZP122KCETFE155	COMP, 124000, 575/60/3 (M8)
ZP122KCETF5250	COMP, 124000, 200/230/60/3 (M2)
ZP120KCETFE155	COMPRESSOR 121,000, 575/60/3 (M6, M7)
ZP120KCETF5250	COMPRESSOR 123,000, 200/230/60/3 (M1)
ZP120KCETFD155	COMPRESSOR 123,000, 460/60/3 (M3, M4)
0131M00430	COND MOTOR 1/3 HP, 1 SP, 6 PL (M1, M2)
B13400249	COND MOTOR 1/3 HP, 460V (M3)
0131M00179	COND MOTOR 1/3 HP, 6 PL, 575V (M6)
0131M00500	COND MOTOR 1/3 HP, OD, LAK (M7, M8)
0131M00433	COND MOTOR 460/60 1/3 HP (M4, M5)
CONT3P030024V	CONTACTOR 30 AMP, 3P, 24V (QTY 2)
CONT3P050024V	CONTACTOR 50 AMP, 3P, 24V (M1, M2)
0130L00019	CRANK CASE HEATER, 70W, 575V (M8)
0130L00020	CRANK CASE HEATER, 90W, 240V (M1)
0130L00021	CRANK CASE HEATER, 90W, 480V (M3, M4)
0130L00022	CRANK CASE HEATER, 90W, 575V (M6, M7)
0130L00017	CRANK CASE HEATER-70W 240V (M2)
0130L00018	CRANK CASE HEATER-70W, 480V (M5)
0130M00074	CUT-OUT SWITCH, HIGH PRESSURE
0130M00087	CUT-OUT SWITCH, LOW PRESSURE
PCBFM103	ELECTRONIC BLOWER TIME DELAY
0131L00025	MOTOR, 5 HP BELT DRIVE 230V (M1, M2)
0131L00031	MOTOR, 5 HP BELT DRIVE 460 V (M3, M4, M5)
0131L00028	MOTOR, 5 HP BELT DRIVE 575 V (M6, M7, M8)
0164L00005	NOTCHED FAN BELT BX46
10135604	RELAY (QTY 2)
0130M00242	RELAY, 24V (QTY 2)
0130M00038	TERMINAL BOARD
0130M00144	TRANSFORMER (M1, M2)
0130M00145	TRANSFORMER 480V to 24V, 75VA (M3, M4, M5)
0130M00148	TRANSFORMER 575V to 24V, 75VA (M6, M7, M8)
0151L00011	VALVE, TXV R-410A (QTY 8)

Expanded Model Nomenclature

M1 - DCC240XXX3VXXXAA
M2 - DCC240XXX3VXXXBA
M3 - DCC240XXX4VXXXAA
M4 - DCC240XXX4VXXXAB
M5 - DCC240XXX4VXXXBA
M6 - DCC240XXX7VXXXAA
M7 - DCC240XXX7VXXXAB
M8 - DCC240XXX7VXXXBA

Cabinet Assembly



Cabinet Assembly

Ref. Part No: No:	Description:	Ref. Part No: No:	Description:
-------------------	--------------	-------------------	--------------

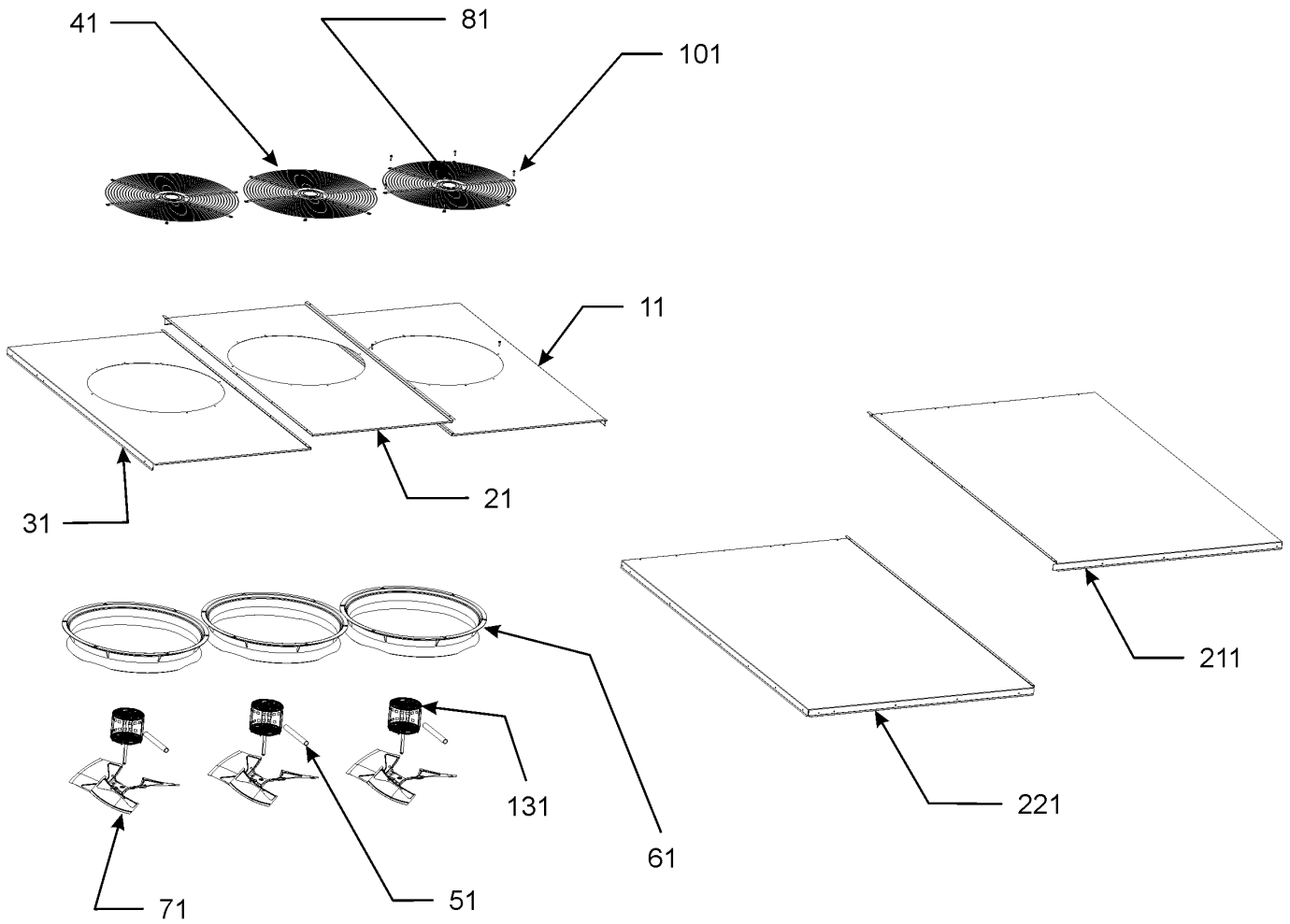
Image 1:

11	0121L01143NG	POST, CORNER (QTY 2)
21	0121L00681NG	EVAPORATOR PANEL
51	0121L00679NG	CONTROL CORNER PANEL
61	0121L00673NG	CONTROL/FILTER POST
71	0121L00710NG	POST/BLOWER DOOR
81	0121L00903NG	POST PARTITION-EVAP SIDE
91	0121L00906NG	POST-PARTITION, (COOL) HT
121	0121L00685NG	BLOWER DOOR-EVAP SIDE
131	0121L00688NG	ACCESSORY PANEL
141	0121L00687NG	CONTROL DOOR
151	0121L00686NG	FILTER DOOR
161	0121L00907NG	PANEL-COND SIDE (QTY 2)
171	0121L01144NG	POST, COND PANEL (QTY 3)
181	0121L01174NG	LOUVER PANEL (QTY 2)
191	0121L00713NG	BLOWER DOOR-GAS SIDE
201	0121L00708NG	DOOR-ELECTRIC HEAT
211	0152L00000	GRILLE-CONDENSER (QTY 2)
221	0121L00476NG	TURNBUCKLE DOOR (QTY 16)
231	0121L00580	CONDENSER POST BRACKET, CENTER
NS	M0204317	SCREW-MACHINE (QTY 16)

Expanded Model Nomenclature

M1 - DCC240XXX3VXXXAA
M2 - DCC240XXX3VXXXBA
M3 - DCC240XXX4VXXXAA
M4 - DCC240XXX4VXXXAB
M5 - DCC240XXX4VXXXBA
M6 - DCC240XXX7VXXXAA
M7 - DCC240XXX7VXXXAB
M8 - DCC240XXX7VXXXBA

Top Panel Assembly



Top Panel Assembly

Ref. Part No: No:	Description:	Ref. Part No: No:	Description:
-------------------	--------------	-------------------	--------------

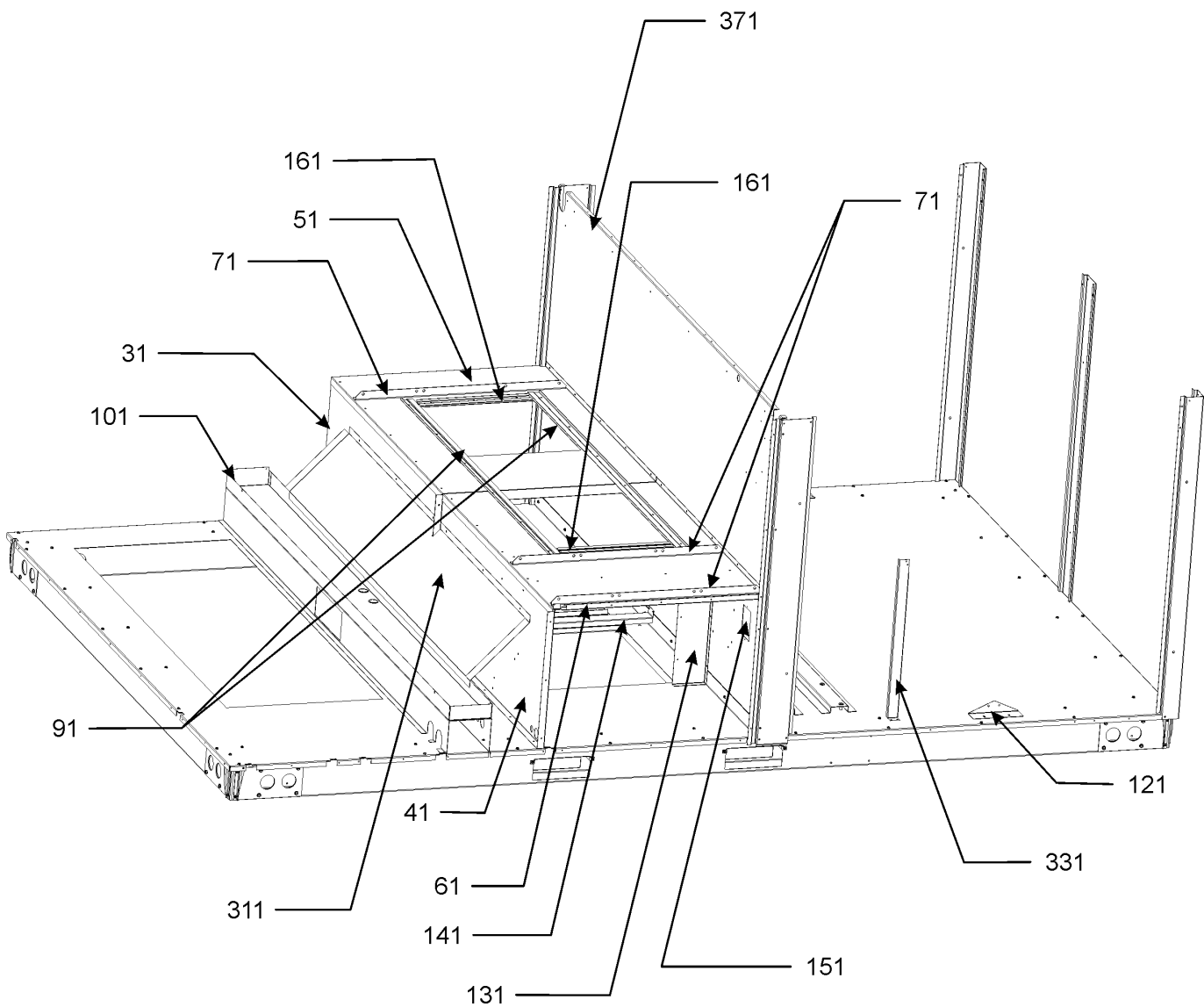
Image 1:

11	0121L01038NG	TOP-FAN,CONTROL SIDE
21	0121L01039NG	TOP-FAN, CENTER
31	0121L01040NG	TOP-FAN, EVAP SIDE
41	0152G00003	FAN GRILLE (QTY 3)
51	17788000083F	PVC CONDUIT 8.25" (QTY 3)
61	0161L00000	VENTURI RING 22" (QTY 3)
71	10625733	FAN BLADE 22" ALUM CCW (QTY 3)
81	0163M00006P	ACORN NUT 5/16 HEX BLACK (QTY 12)
101	0163M00004	SCREW #10X3/4", BLACK (QTY 24)
131	0131M00430	COND MOTOR 1/3 HP, 1 SP, 6 PL (M1, M2)
131	B13400249	COND MOTOR 1/3 HP, 460V (M3)
131	0131M00179	COND MOTOR 1/3 HP, 6 PL, 575V (M6)
131	0131M00500	COND MOTOR 1/3 HP, OD, LAK (M7, M8)
131	0131M00433	COND MOTOR 460/60 1/3 HP (M4, M5)
211	0121L00693NG	TOP-CONTROL SIDE
221	0121L00694NG	TOP PANEL ASSY
NS	0163M00005P	WASHER BLACK (.50 OD .218ID) (QTY 12)

Expanded Model Nomenclature

- M1 - DCC240XXX3VXXXAA
- M2 - DCC240XXX3VXXXBA
- M3 - DCC240XXX4VXXXAA
- M4 - DCC240XXX4VXXXAB
- M5 - DCC240XXX4VXXXBA
- M6 - DCC240XXX7VXXXAA
- M7 - DCC240XXX7VXXXAB
- M8 - DCC240XXX7VXXXBA

Partition Assembly



Partition Assembly

Ref. Part No: No:	Description:	Ref. Part No: No:	Description:
-------------------	--------------	-------------------	--------------

Image 1:

31	0121L01163	DECK, SIDE DUCT END
41	0121L01162	DECK, SIDE HEAT END
51	0121L01160	BLOWER DECK, EVAP SIDE
61	0121L01161	BLOWER DECK, MOTOR SIDE
71	0121L00714	MOTOR MOUNT ANGLE (QTY 3)
91	0121L00478	BLOWER DECK RAIL (QTY 2)
101	0121L01130	DRAIN PAN, EVAPORATOR
121	0121L00913	BRACKET-COND/BASEPAN (QTY 2)
131	0121L00591	ELECTRIC HEAT MOUNTING PLATE
141	0121L00592	ELECTRIC HEAT SUPPORT
151	0121L00593	FLUE HOLE COVER
161	0121L00481	BLOWER RAIL (QTY 2)
311	0121L01158	SHIELD-BLOWOFF
331	0121L00901	BRACE-COND COILS (QTY 2)
371	0121L00825	PARTITION PANEL

Expanded Model Nomenclature

M1 - DCC240XXX3VXXXAA
M2 - DCC240XXX3VXXXBA
M3 - DCC240XXX4VXXXAA
M4 - DCC240XXX4VXXXAB
M5 - DCC240XXX4VXXXBA
M6 - DCC240XXX7VXXXAA
M7 - DCC240XXX7VXXXAB
M8 - DCC240XXX7VXXXBA

Basepan / Compressor / Tubing Assembly

Image 1

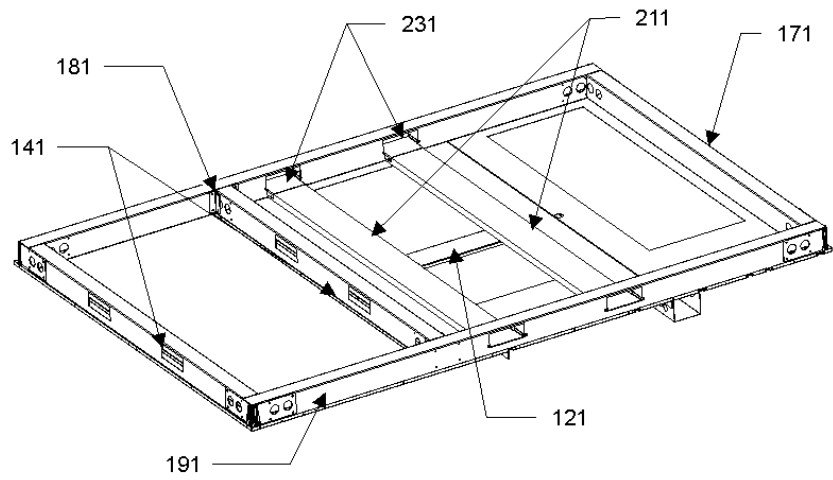
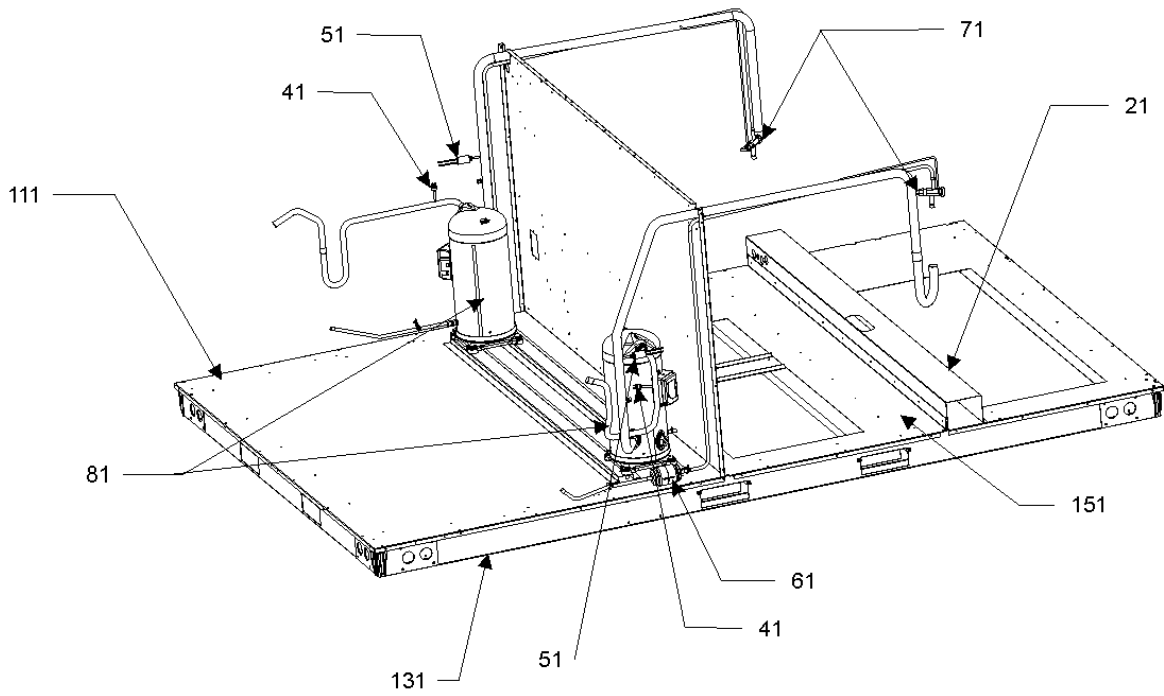


Image 2

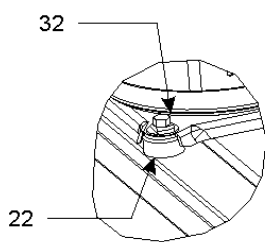
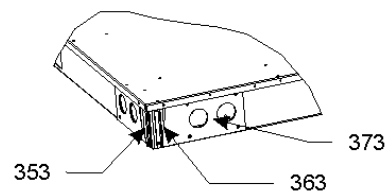


Image 3



Basepan / Compressor / Tubing Assembly

Ref. Part No: No:	Description:	Ref. Part No: No:	Description:
-------------------	--------------	-------------------	--------------

Image 1:

21	0270L00189	BASEPAN WELDMENT, RETURN SIDE
41	0130M00074	CUT-OUT SWITCH, HIGH PRESSURE
51	0130M00087	CUT-OUT SWITCH, LOW PRESSURE
61	0151M00012	BI-FLOW FILTER DRIER
71	0151L00011	VALVE, TXV R-410A (QTY 8)
81	ZP122KCETFD155	COMP, 124000, 460/60/3 (M5)
81	ZP122KCETFE155	COMP, 124000, 575/60/3 (M8)
81	ZP122KCETF5250	COMP,124000, 200/230/60/3 (M2)
81	ZP120KCETFE155	COMPRESSOR 121,000, 575/60/3 (M6, M7)
81	ZP120KCETF5250	COMPRESSOR 123,000, 200/230/60/3 (M1)
81	ZP120KCETFD155	COMPRESSOR 123,000, 460/60/3 (M3, M4)
111	0270L00336	BASEPAN WELD, OUTDOOR
121	0121L00605	FORK BOARD PLATE
131	0121L00720	SIDE RAIL
141	0121L00721	BASE RAIL, CONDENSER END (QTY 2)
151	0121L00948	BASE PAN-SUPPLY
171	0121L00722	BASE RAIL, ACCESSORY END
181	0121L00625	COMPRESSOR RAIL BRACKET (QTY 4)
191	0121L00719	CONTROL SIDE BASE RAIL
211	0141L00029	FORK BOARD (QTY 2)
231	0121L00724	FORK BOARD BRACKET (QTY 4)
NS	0163M00175	CAP WITH O-RING (QTY 4)
NS	0159L00044	COMPRESSOR SCROLL HARNESS (M3, M4, M5, M6, M7, M8)
NS	0159L00045	COMPRESSOR SCROLL HARNESS (M3, M4, M5, M6, M7, M8)
NS	0159L00048	COMPRESSOR SCROLL HARNESS (M1, M2)
NS	0159L00049	COMPRESSOR SCROLL HARNESS (M1, M2)
NS	0130L00019	CRANK CASE HEATER, 70W, 575V (M8)
NS	0130L00020	CRANK CASE HEATER, 90W, 240V (M1)
NS	0130L00021	CRANK CASE HEATER, 90W, 480V (M3, M4)
NS	0130L00022	CRANK CASE HEATER, 90W, 575V (M6, M7)
NS	0130L00017	CRANK CASE HEATER-70W 240V (M2)
NS	0130L00018	CRANK CASE HEATER-70W, 480V (M5)

Image 2:

22	0164M00018	COMPRESSOR GROMMET (QTY 8)
32	B1393740	COMPRESSOR BOLT & SLEEVE (QTY 8)

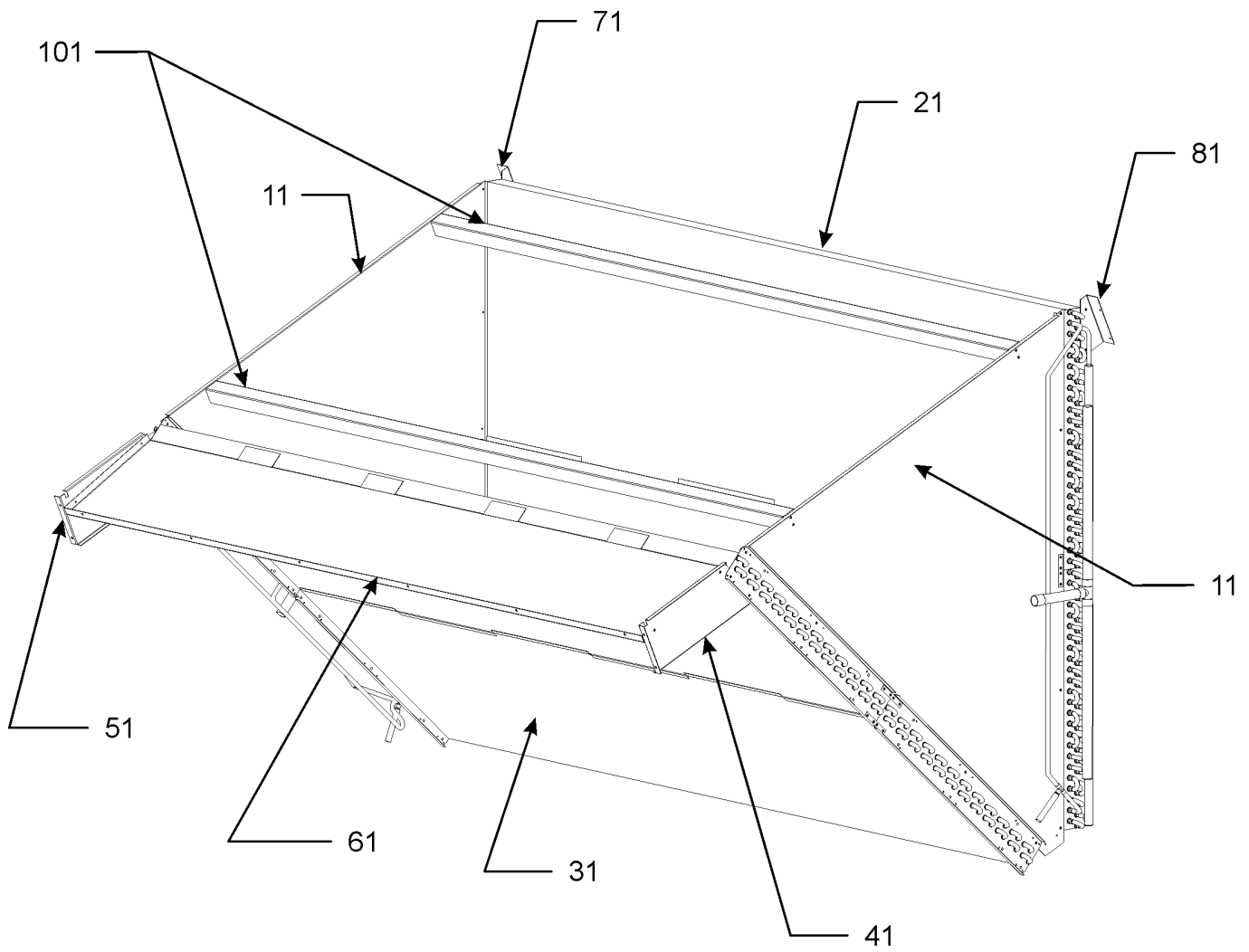
Image 3:

353	0121L00616	RAIL BRACE ANGLE, RIGHT (QTY 4)
363	0121L00617	RAIL BRACE ANGLE, LEFT (QTY 4)
373	0121L00723	BASE RAIL CORNER BRACE (QTY 4)

Expanded Model Nomenclature

M1 - DCC240XXX3VXXXAA
M2 - DCC240XXX3VXXXBA
M3 - DCC240XXX4VXXXAA
M4 - DCC240XXX4VXXXAB
M5 - DCC240XXX4VXXXBA
M6 - DCC240XXX7VXXXAA
M7 - DCC240XXX7VXXXAB
M8 - DCC240XXX7VXXXBA

Condenser Assembly



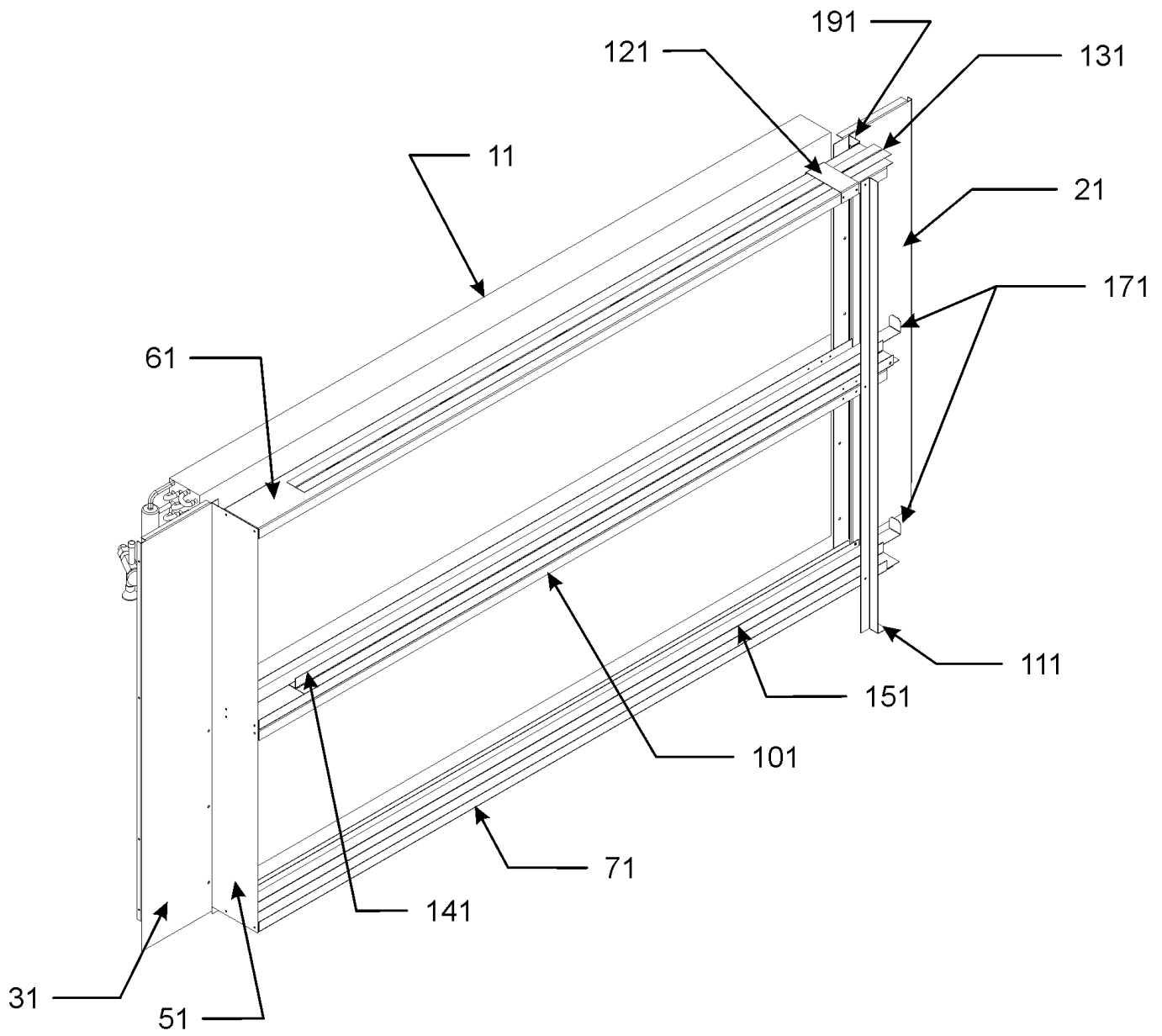
Condenser Assembly

Ref. Part No:	No:	Description:	Ref. Part No:	No:	Description:
<i>Image 1:</i>					
11	0121L00854	END COVER-CONDENSER (QTY 2)			
21	0201L00151	CONDENSER COIL ASSY C1			
31	0201L00152	CONDENSER COIL ASSY C2			
41	0121L01154	BRACKET, CONDENSER END C1			
51	0121L01156	BRACKET, CONDENSER END C2			
61	0121L00572	CONDENSER BLOCKOFF, INSIDE TOP			
71	0121L01155	BRACKET, COND/POST C1			
81	0121L01153	BRACKET, COND/POST C2			
101	0121L01037	ANGLE, TOP BRACE (QTY 2)			

Expanded Model Nomenclature

- M1 - DCC240XXX3VXXXAA
- M2 - DCC240XXX3VXXXBA
- M3 - DCC240XXX4VXXXAA
- M4 - DCC240XXX4VXXXAB
- M5 - DCC240XXX4VXXXBA
- M6 - DCC240XXX7VXXXAA
- M7 - DCC240XXX7VXXXAB
- M8 - DCC240XXX7VXXXBA

Evaporator Assembly



Evaporator Assembly

Ref. Part No:	No:	Description:	Ref. Part No:	No:	Description:
<i>Image 1:</i>					
11	0202L00047	EVAPORATOR COIL ASSY (QTY 2)			
21	0121L00698	EVAPORATOR BLOCKOFF PANEL			
31	0121L00848	PANEL-EVAPORATOR, SMOKE DET			
51	0121L00933	ANGLE-FILTER, LEFT VERTICAL			
61	0121L01180	ANGLE FILTER, TOP (M1, M2, M4, M5, M6, M7, M8)			
61	0121L00629	TOP FILTER RACK (M3)			
71	0121L01179	ANGLED-FILTER BOTTOM (M1, M2, M4, M5, M6, M7, M8)			
71	0121L00701	BOTTOM FILTER RACK (M3)			
101	0270L00230	CENTER FILTER RACK (M3)			
101	0270L00658	CENTER FILTER RACK (M1, M2, M4, M5, M6, M7, M8)			
111	0121L00632	FILTER SUPPORT ANGLE			
121	0121L00634	TOP ANGLE BRACKET			
131	0270L00271	WELDMENT-TOP SLIDER (M3)			
141	0270L00232	CENTER SLIDER (M3)			
151	0270L00233	BOTTOM SLIDER (M3)			
171	0121L00640	FILTER PULL (QTY 2)			
191	0121L00702	RIGHT SIDE BLOCKOFF, FILTER RACK (M3)			
NS	0121L00703	BOTTOM BLOCKOFF, FILTER RACK			
NS	0160L00137	FILTER, 20 X 25 X 2, STANDARD (QTY 6)			

Expanded Model Nomenclature

M1 - DCC240XXX3VXXXAA
M2 - DCC240XXX3VXXXBA
M3 - DCC240XXX4VXXXAA
M4 - DCC240XXX4VXXXAB
M5 - DCC240XXX4VXXXBA
M6 - DCC240XXX7VXXXAA
M7 - DCC240XXX7VXXXAB
M8 - DCC240XXX7VXXXBA

Blower Assembly

Image 1

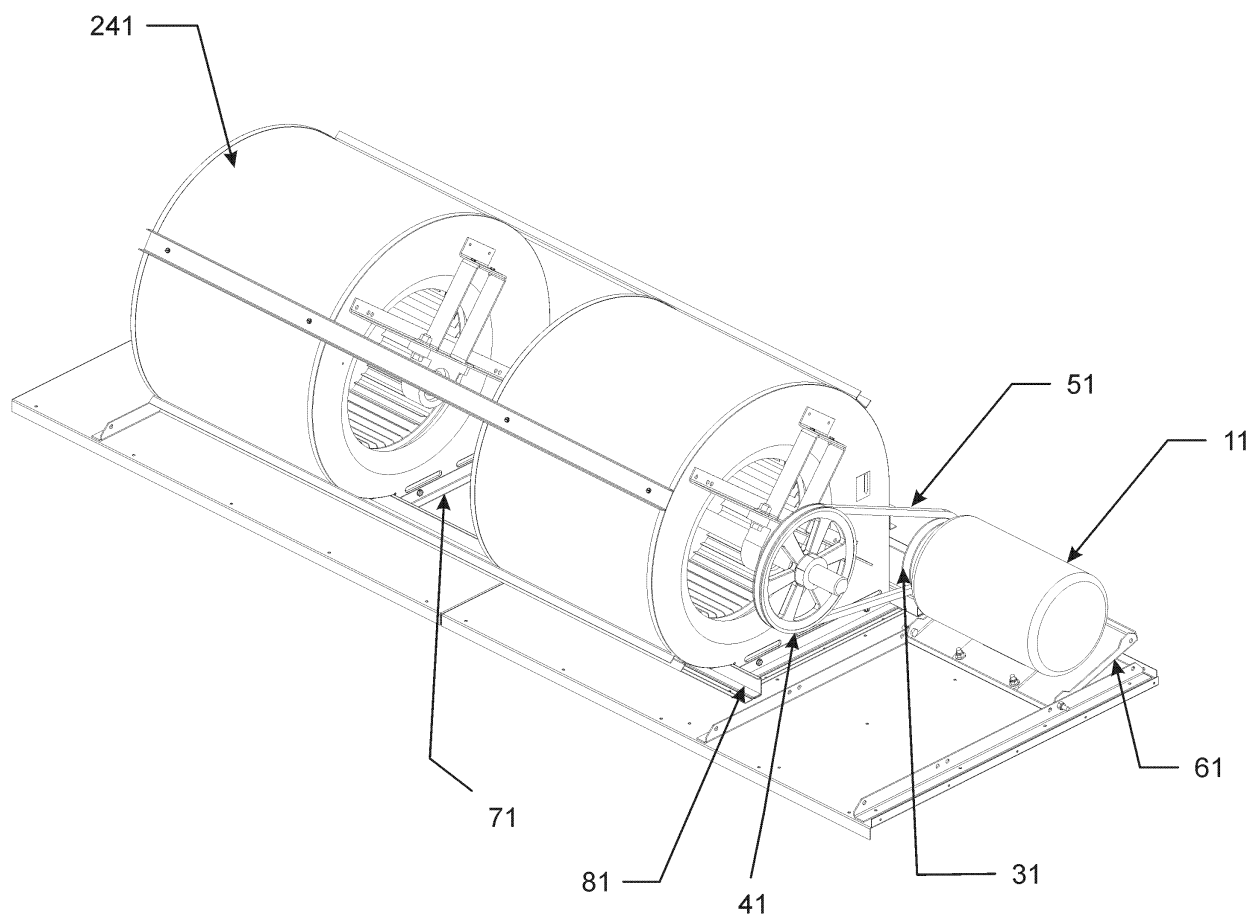
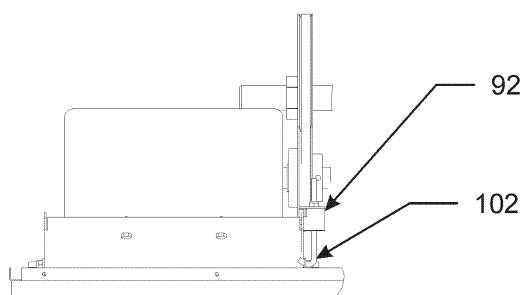


Image 2



Blower Assembly

Ref. Part No: No:	Description:	Ref. Part No: No:	Description:
-------------------	--------------	-------------------	--------------

Image 1:

11	0131L00025	MOTOR, 5 HP BELT DRIVE 230V (M1, M2)
11	0131L00031	MOTOR, 5 HP BELT DRIVE 460 V (M3, M4, M5)
11	0131L00028	MOTOR, 5 HP BELT DRIVE 575 V (M6, M7, M8)
31	0163L00052	SHEAVE-VARIABLE PITCH
41	0163L00036	FIXED SHEAVE
51	0164L00005	NOTCHED FAN BELT BX46
61	0121L01049	MOTOR BASE PLATE
71	0121L00482	BLOWER SIDE ANGLE (QTY 4)
81	0121L00479	BLOWER RAIL (QTY 2)
241	0271L00027	150-12R BD 1.18 TWIN BLOWER

Image 2:

92	0121L00557	MOTOR ADJUST BRACKET
102	0163L00034	HOOKED BOLT

Expanded Model Nomenclature

M1 - DCC240XXX3VXXXAA
M2 - DCC240XXX3VXXXBA
M3 - DCC240XXX4VXXXAA
M4 - DCC240XXX4VXXXAB
M5 - DCC240XXX4VXXXBA
M6 - DCC240XXX7VXXXAA
M7 - DCC240XXX7VXXXAB
M8 - DCC240XXX7VXXXBA

Control Assembly

Image 1

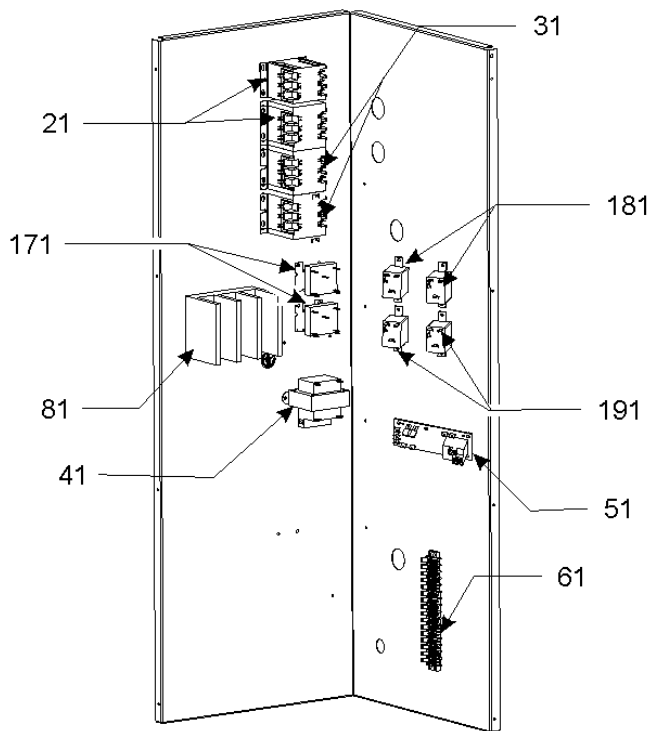


Image 2

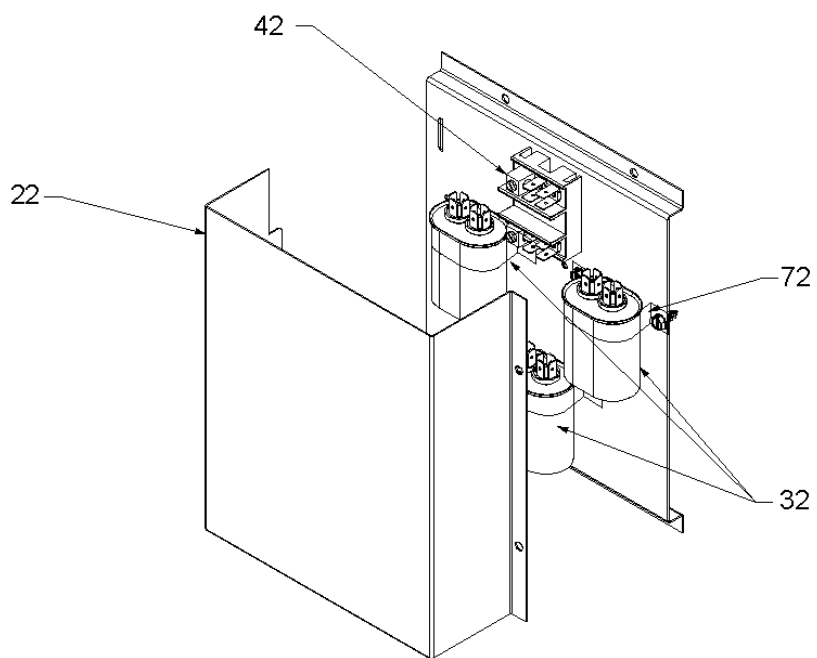
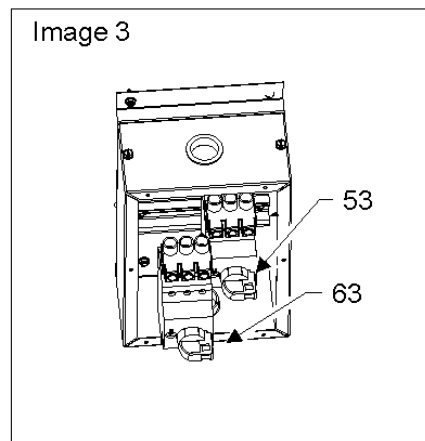


Image 3



Control Assembly

Ref. Part No: No:	Description:	Ref. Part No: No:	Description:
-------------------	--------------	-------------------	--------------

Image 1:

21	CONT3P030024V	CONTACTOR 30 AMP, 3P, 24V (QTY 2)
21	CONT3P050024V	CONTACTOR 50 AMP, 3P, 24V (M1, M2)
31	CONT3P030024V	CONTACTOR 30 AMP, 3P, 24V (QTY 2)
41	0130M00144	TRANSFORMER (M1, M2)
41	0130M00145	TRANSFORMER 480V to 24V, 75VA (M3, M4, M5)
41	0130M00148	TRANSFORMER 575V to 24V, 75VA (M6, M7, M8)
51	PCBFM103	ELECTRONIC BLOWER TIME DELAY
61	0130M00038	TERMINAL BOARD
81	0130M00042	BLOCK, DISTRIB. 7.5-25 TON
171	0130M00025	24V RELAY (QTY 2)
181	0130M00242	RELAY, 24V (QTY 2)
191	10135604	RELAY (QTY 2)
NS	0259L00185	BLOWER RELAY HARNESS
NS	0259L00186	BLOWER RELAY HARNESS
NS	0159L00052	HARNESS JUMPER LONG
NS	0259L00164	HARNESS, ECONOMIZER AC
NS	0259L00107	HARNESS, E-HEAT
NS	0159L00051	HARNESS, JUMPER SHORT
NS	0259L00187	ISO RELAY HARNESS
NS	0259L00171	TRANSFORMER HARNESS
NS	0259L00184	TRANSFORMER HARNESS

Image 2:

22	0121L00586	CAPACITOR COVER
32	CAP100000370LA	CAPACITOR 10/370V (M1, M2, M4, M5)
32	CAP050000370LA	CAPACITOR 5/370V (M3, M6)
32	CAP050000440LA	CAPACITOR 5/440V (M7, M8)
42	B1368250	TERMINAL BLOCK (HIGH VOLTAGE)
72	20520901	CAPACITOR STRAP (QTY 3)

Image 3:

53	0130L00083	ROTARY MANUAL MOTOR PROTECTOR (M6, M7, M8)
53	0130L00084	ROTARY MANUAL MOTOR PROTECTOR (M3, M4, M5)
53	0130L00085	ROTARY MANUAL MOTOR PROTECTOR (M1, M2)
63	0130L00082	ROTARY MANUAL MOTOR PROTECTOR (M3, M4, M5, M6, M7, M8)
63	0130L00084	ROTARY MANUAL MOTOR PROTECTOR (M3, M4, M5)
NS	0259L00190	CIRCUIT BREAKER HARNESS
NS	0259L00181	HARNESS-BELT DRIVE 2 SP MOTOR

Expanded Model Nomenclature

M1 - DCC240XXX3VXXXAA
M2 - DCC240XXX3VXXXBA
M3 - DCC240XXX4VXXXAA
M4 - DCC240XXX4VXXXAB
M5 - DCC240XXX4VXXXBA
M6 - DCC240XXX7VXXXAA
M7 - DCC240XXX7VXXXAB
M8 - DCC240XXX7VXXXBA