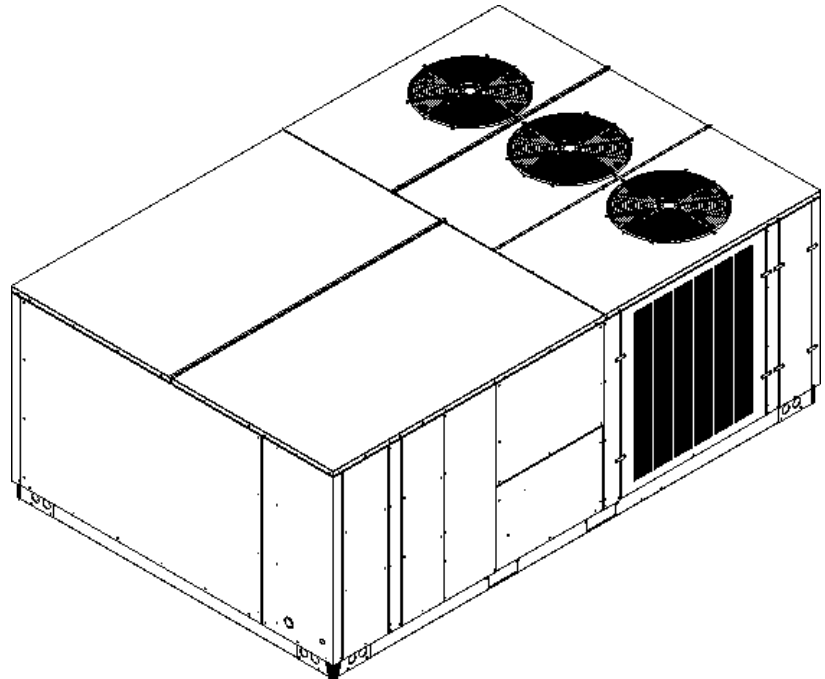


## Commercial 20 Ton Package Cooling Units

DCC2400313BAXCAA  
DCC2400313BAXCAB  
DCC2400313BHXAAB  
DCC2400604BJXFAB  
DCC2400604BJXFAC  
DCC2400604BXXBAB  
DCC2400604BXXBAC  
DCC240XXX3BBXXAB  
DCC240XXX3BHXXAA  
DCC240XXX3BHXXAB  
DCC240XXX3BXXQAA  
DCC240XXX3BXXQAB  
DCC240XXX3BXXXAA  
DCC240XXX3BXXXAB  
DCC240XXX4BBXXAC  
DCC240XXX4BHXAAB  
DCC240XXX4BHXAAC  
DCC240XXX4BHXXAB  
DCC240XXX4BHXXAC  
DCC240XXX4BXXAAB  
DCC240XXX4BXXAAC  
DCC240XXX4BXXXAA  
DCC240XXX4BXXXAB  
DCC240XXX4BXXXAC  
DCC240XXX4BXXYAC  
DCC240XXX4BXXZAB  
DCC240XXX7BBXXAC  
DCC240XXX7BXXXAA  
DCC240XXX7BXXXAB  
DCC240XXX7BXXXAC



This manual is to be used by qualified technicians only.

This manual replaces RP-D1027K.

© 2013 - 2016 **DAIKIN COMPANY, L.P.** ♦ 5151 San Felipe St., Suite 500 ♦ Houston, TX 77056

# Important Information

---

## Index

Functional Parts List .....	3
Illustration and Parts .....	4 - 19

*Views shown are for parts illustrations only, not servicing procedures.*

### Text Codes:

AR - As Required

NA - Not Available

NS - Not Shown

00000000 - See Note

QTY - Quantity Example (QTY 3) (If Quantity not shown, Quantity = 1)

M - Model Example (M1) (If M Code not shown, then part is used on all Models)

### Expanded Model Nomenclature:

Example
M1 - Model#1
M2 - Model#2
M3 - Model#3

Daikin Company, L.P. is not responsible for personal injury or property damage resulting from improper service. Review all service information before beginning repairs.

Warranty service must be performed by an authorized technician, using authorized factory parts. If service is required after the warranty expires, Daikin Company, L.P. also recommends contacting an authorized technician and using authorized factory parts.

Daikin Company, L.P. reserves the right to discontinue, or change at any time, specifications or designs without notice or without incurring obligations.

For assistance within the U.S.A. contact:

Homeowner Support  
Daikin North America, LLC  
19001 Kermier Road  
Waller, Texas 77484  
855-770-5678-Telephone  
713-863-2382-Facsimile

For assistance outside the U.S.A. contact:

International Division  
Daikin North America, LLC  
19001 Kermier Road  
Waller, Texas 77484  
713-861-2500-Telephone  
713-863-2382-Facsimile

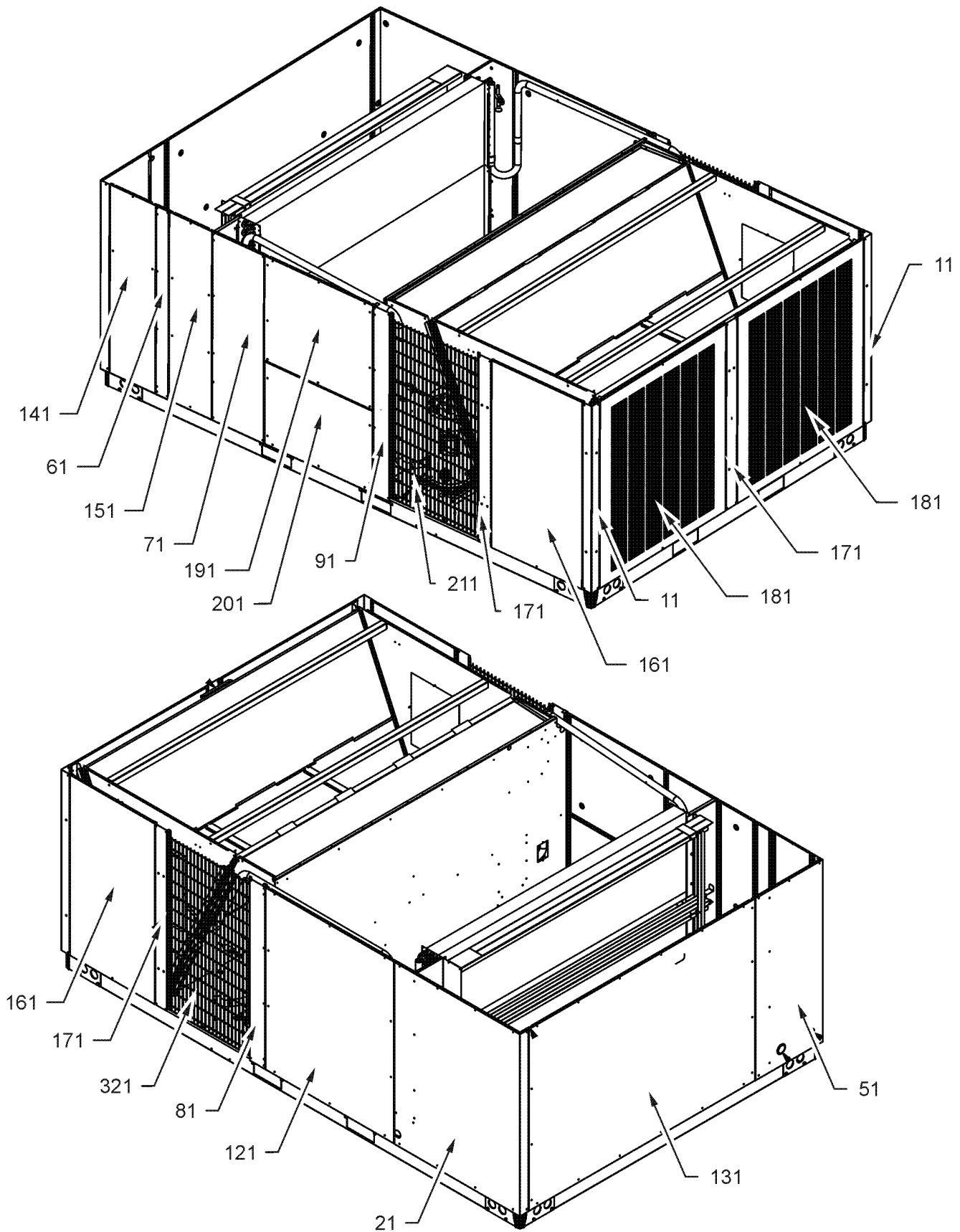
# Functional Parts

## Part

### No: Description:

Part No:	Description:	Part No:	Description:																														
0271L00027	150-15R BD 1.44 TWIN BLOWER	0130M00275	TERMINAL BOARD (M1, M8, M20)																														
0130M00025	24V RELAY (QTY 2)	0130M00144	TRANSFORMER (M1, M2, M3, M4, M5, M6, M7, M24, M25, M26)																														
0130M00249	AUXILLARY SWITCH (M1, M8, M20)	0130M00145	TRANSFORMER 480V to 24V, 75VA (M8, M9, M10, M11, M12, M13, M14, M15, M16, M17, M18, M19, M27, M28, M29, M30)																														
0130M00042	BLOCK, POWER	0130M00148	TRANSFORMER 575V to 24V, 75VA (M20, M21, M22, M23)																														
CAP100000370LA	CAPACITOR 10/370V (M1, M2, M3, M4, M5, M6, M7, M8, M9, M10, M11, M12, M13, M14, M16, M17, M18, M19, M24, M25, M26, M27, M28, M29, M30)	<b>Expanded Model Nomenclature</b>																															
CAP050000370LA	CAPACITOR 5/370V (M15, M21)	<table border="1"> <tbody> <tr><td>M1 - DCC240XXX3BBXXAB</td></tr> <tr><td>M2 - DCC240XXX3BHXXAA</td></tr> <tr><td>M3 - DCC240XXX3BHXXAB</td></tr> <tr><td>M4 - DCC240XXX3BXXQAA</td></tr> <tr><td>M5 - DCC240XXX3BXXQAB</td></tr> <tr><td>M6 - DCC240XXX3BXXXAA</td></tr> <tr><td>M7 - DCC240XXX3BXXXAB</td></tr> <tr><td>M8 - DCC240XXX4BBXXAC</td></tr> <tr><td>M9 - DCC240XXX4BHXAAB</td></tr> <tr><td>M10 - DCC240XXX4BHXAAC</td></tr> <tr><td>M11 - DCC240XXX4BHXXAB</td></tr> <tr><td>M12 - DCC240XXX4BHXXAC</td></tr> <tr><td>M13 - DCC240XXX4BXXAAB</td></tr> <tr><td>M14 - DCC240XXX4BXXAAC</td></tr> <tr><td>M15 - DCC240XXX4BXXXAA</td></tr> <tr><td>M16 - DCC240XXX4BXXXAB</td></tr> <tr><td>M17 - DCC240XXX4BXXXAC</td></tr> <tr><td>M18 - DCC240XXX4BXXYAC</td></tr> <tr><td>M19 - DCC240XXX4BXXZAB</td></tr> <tr><td>M20 - DCC240XXX7BBXXAC</td></tr> <tr><td>M21 - DCC240XXX7BXXXAA</td></tr> <tr><td>M22 - DCC240XXX7BXXXAB</td></tr> <tr><td>M23 - DCC240XXX7BXXXAC</td></tr> <tr><td>M24 - DCC2400313BAXCAA</td></tr> <tr><td>M25 - DCC2400313BAXCAB</td></tr> <tr><td>M26 - DCC2400313BHXAAB</td></tr> <tr><td>M27 - DCC2400604BJXFAB</td></tr> <tr><td>M28 - DCC2400604BJXFAC</td></tr> <tr><td>M29 - DCC2400604BXXBAB</td></tr> <tr><td>M30 - DCC2400604BXXBAC</td></tr> </tbody> </table>		M1 - DCC240XXX3BBXXAB	M2 - DCC240XXX3BHXXAA	M3 - DCC240XXX3BHXXAB	M4 - DCC240XXX3BXXQAA	M5 - DCC240XXX3BXXQAB	M6 - DCC240XXX3BXXXAA	M7 - DCC240XXX3BXXXAB	M8 - DCC240XXX4BBXXAC	M9 - DCC240XXX4BHXAAB	M10 - DCC240XXX4BHXAAC	M11 - DCC240XXX4BHXXAB	M12 - DCC240XXX4BHXXAC	M13 - DCC240XXX4BXXAAB	M14 - DCC240XXX4BXXAAC	M15 - DCC240XXX4BXXXAA	M16 - DCC240XXX4BXXXAB	M17 - DCC240XXX4BXXXAC	M18 - DCC240XXX4BXXYAC	M19 - DCC240XXX4BXXZAB	M20 - DCC240XXX7BBXXAC	M21 - DCC240XXX7BXXXAA	M22 - DCC240XXX7BXXXAB	M23 - DCC240XXX7BXXXAC	M24 - DCC2400313BAXCAA	M25 - DCC2400313BAXCAB	M26 - DCC2400313BHXAAB	M27 - DCC2400604BJXFAB	M28 - DCC2400604BJXFAC	M29 - DCC2400604BXXBAB	M30 - DCC2400604BXXBAC
M1 - DCC240XXX3BBXXAB																																	
M2 - DCC240XXX3BHXXAA																																	
M3 - DCC240XXX3BHXXAB																																	
M4 - DCC240XXX3BXXQAA																																	
M5 - DCC240XXX3BXXQAB																																	
M6 - DCC240XXX3BXXXAA																																	
M7 - DCC240XXX3BXXXAB																																	
M8 - DCC240XXX4BBXXAC																																	
M9 - DCC240XXX4BHXAAB																																	
M10 - DCC240XXX4BHXAAC																																	
M11 - DCC240XXX4BHXXAB																																	
M12 - DCC240XXX4BHXXAC																																	
M13 - DCC240XXX4BXXAAB																																	
M14 - DCC240XXX4BXXAAC																																	
M15 - DCC240XXX4BXXXAA																																	
M16 - DCC240XXX4BXXXAB																																	
M17 - DCC240XXX4BXXXAC																																	
M18 - DCC240XXX4BXXYAC																																	
M19 - DCC240XXX4BXXZAB																																	
M20 - DCC240XXX7BBXXAC																																	
M21 - DCC240XXX7BXXXAA																																	
M22 - DCC240XXX7BXXXAB																																	
M23 - DCC240XXX7BXXXAC																																	
M24 - DCC2400313BAXCAA																																	
M25 - DCC2400313BAXCAB																																	
M26 - DCC2400313BHXAAB																																	
M27 - DCC2400604BJXFAB																																	
M28 - DCC2400604BJXFAC																																	
M29 - DCC2400604BXXBAB																																	
M30 - DCC2400604BXXBAC																																	
CAP050000440LA	CAPACITOR 5/440V (M20, M22, M23)																																
ZP122KCETFD155	COMP, 124000, 460/60/3 (M8, M10, M12, M14, M17, M18, M28, M30)																																
ZP122KCETFE155	COMP, 124000, 575/60/3 (M20, M23)																																
ZP122KCETF5250	COMP, 124000, 200/230/60/3 (M1, M3, M5, M7, M25, M26)																																
ZP120KCETFE155	COMPRESSOR 121,000, 575/60/3 (M21, M22)																																
ZP120KCETF5250	COMPRESSOR 123,000, 200/230/60/3 (M2, M4, M6, M24)																																
ZP120KCETFD155	COMPRESSOR 123,000, 460/60/3 (M9, M11, M13, M15, M16, M19, M27, M29)																																
0131M00430	COND MOTOR 1/3 HP, 1 SP, 6 PL (M1, M2, M3, M4, M5, M6, M7, M24, M25, M26)																																
B13400249	COND MOTOR 1/3 HP, 460V (M15)																																
0131M00179	COND MOTOR 1/3 HP, 6 PL, 575V (M21)																																
0131M00500	COND MOTOR 1/3 HP, OD, LAK (M20, M22, M23)																																
0131M00433	COND MOTOR 460/60 1/3 HP (M8, M9, M10, M11, M12, M13, M14, M16, M17, M18, M19, M27, M28, M29, M30)																																
0131M00274	COND MOTOR 5.0 HP (M1, M2, M3, M4, M5, M6, M7, M8, M9, M10, M11, M12, M13, M14, M15, M16, M17, M18, M19, M24, M25, M26, M27, M28, M29, M30)																																
CONT3P030024V	CONTACTOR 30 AMP, 3P, 24V																																
CONT3P050024V	CONTACTOR 50 AMP, 3P, 24V (M1, M2, M3, M4, M5, M6, M7, M24, M25, M26)																																
0130L00019	CRANK CASE HEATER, 70W, 575V (M20, M23)																																
0130L00020	CRANK CASE HEATER, 90W, 240V (M2, M4, M6, M24)																																
0130L00021	CRANK CASE HEATER, 90W, 480V (M9, M11, M13, M15, M16, M19, M27, M29)																																
0130L00022	CRANK CASE HEATER, 90W, 575V (M21, M22)																																
0130L00017	CRANK CASE HEATER-70W 240V (M1, M3, M5, M7, M25, M26)																																
0130L00018	CRANK CASE HEATER-70W, 480V (M8, M10, M12, M14, M17, M18, M28, M30)																																
0130M00074	CUT-OUT SWITCH, HIGH PRESSURE (QTY 2)																																
0130M00087	CUT-OUT SWITCH, LOW PRESSURE (QTY 2)																																
PCBCG100	DDC Controller (M1, M8, M20)																																
0130L00112	DUCT TEMPERATURESENSOR-OE230-G (M1, M8, M20)																																
PCBFM103	ELECTRONIC BLOWER TIME DELAY																																
10625733	FAN BLADE 22" ALUM CCW (QTY 3)																																
0131L00007	MOTOR-5 HP BELT DRIVE 575V 3P (M20, M21, M22, M23)																																
0164L00005	NOTCHED FAN BELT BX46																																
0130L00108	OUTDOOR AIRTEMP SENSOR-OE250-G (M1, M8, M20)																																
0130M00242	RELAY, 24V (QTY 2)																																
0130M00038	TERMINAL BOARD																																
0130M00274	TERMINAL BOARD (M1, M8, M20)																																

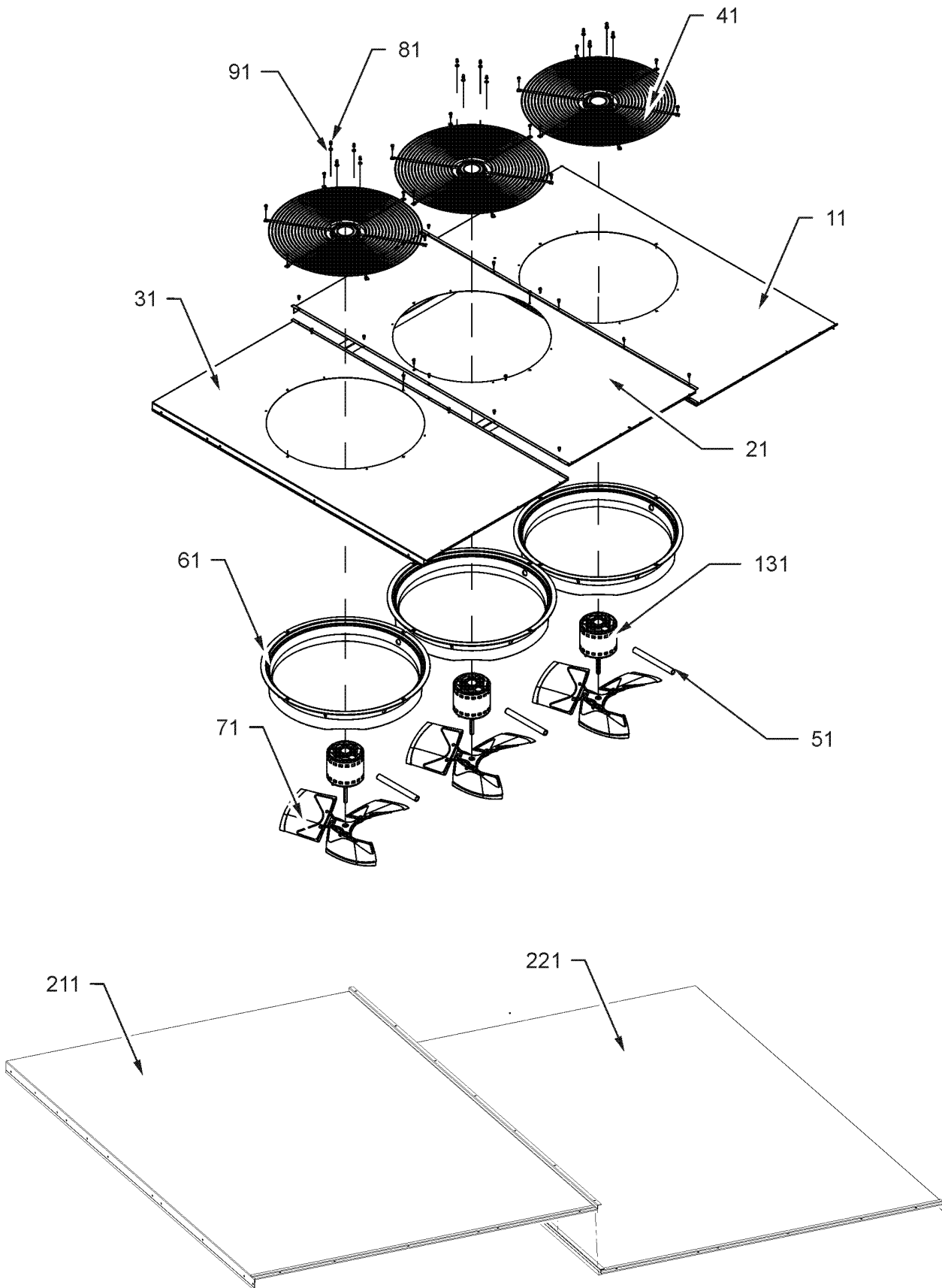
# Cabinet Assembly



# Cabinet Assembly

Ref. Part No:	Description:	Ref. Part No:	Description:
<b>Image 1:</b>		<b>Expanded Model Nomenclature</b>	
11	0121L00742NG CORNER POST (M4, M5, M29, M30)	M1	- DCC240XXX3BBXXAB
11	0121L01143NG POST, CORNER (QTY 2)	M2	- DCC240XXX3BHXXAA
21	0121L00681NG PAINTED EVAP PANEL	M3	- DCC240XXX3BHXXAB
51	0121L00679NG CONTROL CORNER PANEL (M1, M4, M5, M6, M7, M8, M13, M14, M15, M16, M17, M18, M19, M20, M21, M22, M23, M24, M25, M29, M30)	M4	- DCC240XXX3BXXQAA
51	0121L00800NG DUCT PANEL (M2, M3, M9, M10, M11, M12, M26, M27, M28)	M5	- DCC240XXX3BXXQAB
61	0121L00673NG CONTROL/FILTER POST	M6	- DCC240XXX3BXXXAA
71	0121L00710NG POST/BLOWER DOOR	M7	- DCC240XXX3BXXXAB
81	0121L00903NG POST PARTITION-EVAP SIDE	M8	- DCC240XXX4BXXAC
91	0121L00906NG POST-PARTITION, (COOL) HT	M9	- DCC240XXX4BHXAAB
121	0121L00685NG BLOWER DOOR-EVAP SIDE	M10	- DCC240XXX4BHXAAC
131	0121L00688NG ACCESSORY PANEL	M11	- DCC240XXX4BHXXAB
141	0121L00687NG CONTROL DOOR	M12	- DCC240XXX4BHXXAC
151	0121L00686NG FILTER DOOR	M13	- DCC240XXX4BXXAAB
161	0121L00907NG PANEL-COND SIDE (QTY 2)	M14	- DCC240XXX4BXXAAC
171	0121L01144NG POST, COND PANEL (QTY 3)	M15	- DCC240XXX4BXXXAA
181	0121L01174NG PANEL, LOUVER END PNT (QTY 2)	M16	- DCC240XXX4BXXXAB
191	0121L00713NG BLOWER DOOR-GAS SIDE	M17	- DCC240XXX4BXXXAC
201	0121L00708NG DOOR-ELECTRIC HEAT	M18	- DCC240XXX4BXXYAC
211	0152L00000 GRILLE-CONDENSER (QTY 2)	M19	- DCC240XXX4BXXZAB
NS	M0204317 SCREW-MACHINE (QTY 16)	M20	- DCC240XXX7BBXXAC
NS	0121L00476NG TURNBUCKLE DOOR (QTY 16)	M21	- DCC240XXX7BXXXAA
		M22	- DCC240XXX7BXXXAB
		M23	- DCC240XXX7BXXXAC
		M24	- DCC2400313BAXCAA
		M25	- DCC2400313BAXCAB
		M26	- DCC2400313BHXAAB
		M27	- DCC2400604BJXFAB
		M28	- DCC2400604BJXFAC
		M29	- DCC2400604BXXBAB
		M30	- DCC2400604BXXBAC

# Top Panel Assembly



# Top Panel Assembly

Ref. Part No:	Part No:	Description:	Ref. Part No:	Part No:	Description:
---------------	----------	--------------	---------------	----------	--------------

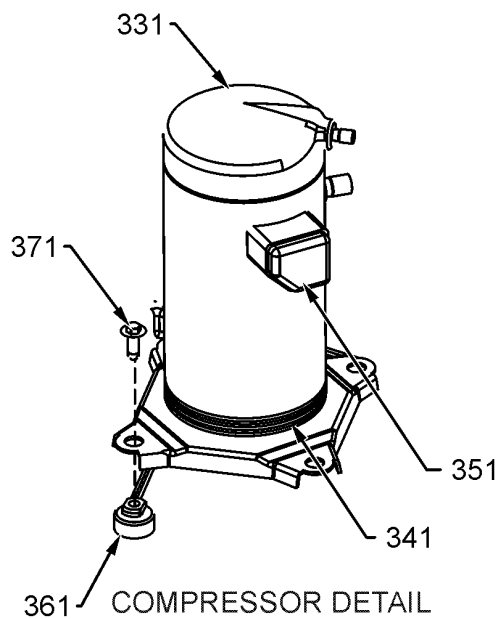
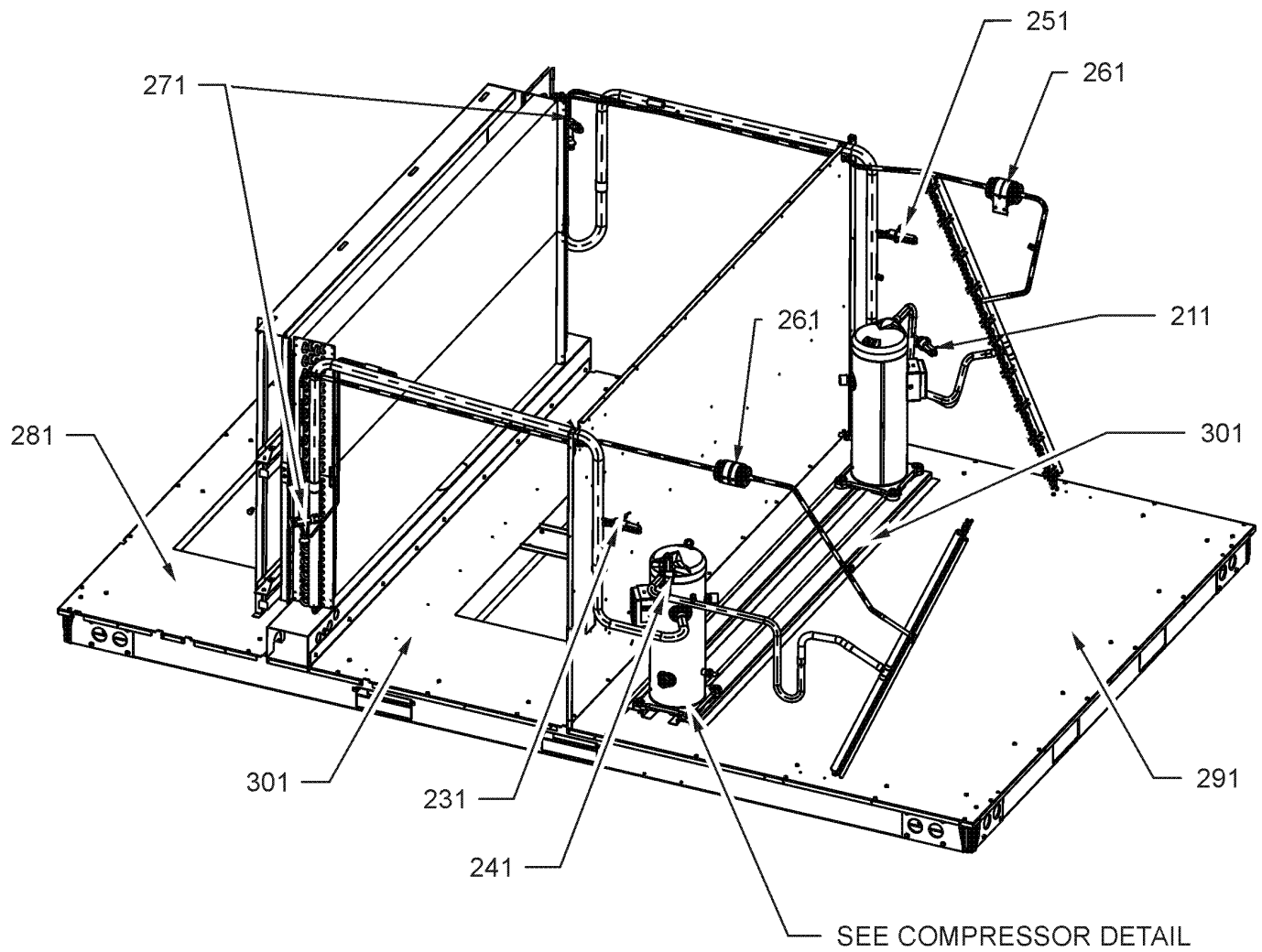
**Image 1:**

11	0121L01038NG	TOP-FAN,CONTROL SIDE
21	0121L01039NG	TOP-FAN, CENTER
31	0121L01040NG	TOP-FAN, EVAP SIDE
41	0152G00003	FAN GRILLE (QTY 3)
51	17788000083F	PVC CONDUIT 8.25" (QTY 3)
61	0161L00000	VENTURI RING 22" (QTY 3)
71	10625733	FAN BLADE 22" ALUM CCW (QTY 3)
81	0163M00006P	ACORN NUT 5/16 HEX BLACK (QTY 12)
91	0163M00005P	WASHER, BLACK (.50 OD .218ID) (QTY 12)
131	0131M00430	COND MOTOR 1/3 HP, 1 SP, 6 PL (M1, M2, M3, M4, M5, M6, M7, M24, M25, M26)
131	B13400249	COND MOTOR 1/3 HP, 460V (M15)
131	0131M00179	COND MOTOR 1/3 HP, 6 PL, 575V (M21)
131	0131M00500	COND MOTOR 1/3 HP, OD, LAK (M20, M22, M23)
131	0131M00433	COND MOTOR 460/60 1/3 HP (M8, M9, M10, M11, M12, M13, M14, M16, M17, M18, M19, M27, M28, M29, M30)
211	0121L00693NG	TOP-CONTROL SIDE
221	0121L00694NG	TOP PANEL ASSY
NS	0163M00004	SCREW #10X3/4", BLACK (QTY 24)

**Expanded Model Nomenclature**

M1 - DCC240XXX3BBXXAB
M2 - DCC240XXX3BHXXAA
M3 - DCC240XXX3BHXXAB
M4 - DCC240XXX3BXXQAA
M5 - DCC240XXX3BXXQAB
M6 - DCC240XXX3BXXXAA
M7 - DCC240XXX3BXXXAB
M8 - DCC240XXX4BBXXAC
M9 - DCC240XXX4BHXAAB
M10 - DCC240XXX4BHXAAC
M11 - DCC240XXX4BHXXAB
M12 - DCC240XXX4BHXXAC
M13 - DCC240XXX4BXXAAB
M14 - DCC240XXX4BXXAAC
M15 - DCC240XXX4BXXXAA
M16 - DCC240XXX4BXXXAB
M17 - DCC240XXX4BXXXAC
M18 - DCC240XXX4BXXYAC
M19 - DCC240XXX4BXXZAB
M20 - DCC240XXX7BBXXAC
M21 - DCC240XXX7BXXXAA
M22 - DCC240XXX7BXXXAB
M23 - DCC240XXX7BXXXAC
M24 - DCC2400313BAXCAA
M25 - DCC2400313BAXCAB
M26 - DCC2400313BHXAAB
M27 - DCC2400604BJXFAB
M28 - DCC2400604BJXFAC
M29 - DCC2400604BXXBAB
M30 - DCC2400604BXXBAC

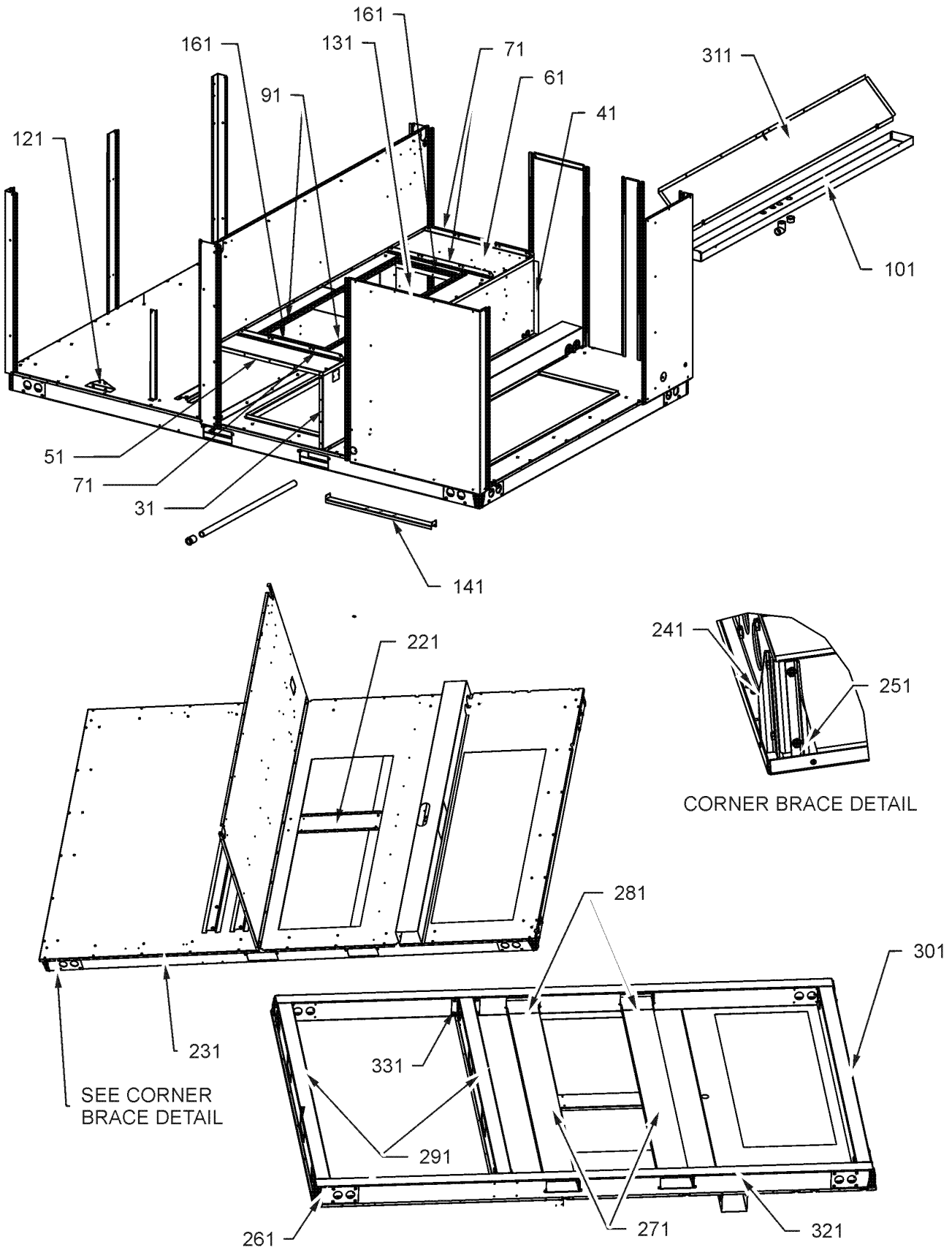
# Tubing and Compressor Assembly



# Tubing and Compressor Assembly

Ref. Part No: No:	Description:	Ref. Part No: No:	Description:
<b>Image 1:</b>		<b>Expanded Model Nomenclature</b>	
211	0130M00074 CUT-OUT SWITCH, HIGH PRESSURE	M1	- DCC240XXX3BBXXAB
231	0130M00087 CUT-OUT SWITCH, LOW PRESSURE	M2	- DCC240XXX3BHXXAA
241	0130M00074 CUT-OUT SWITCH, HIGH PRESSURE	M3	- DCC240XXX3BHXXAB
251	0130M00087 CUT-OUT SWITCH, LOW PRESSURE	M4	- DCC240XXX3BXXQAA
261	0151M00012 BI-FLOW FILTER DRIER (QTY 2)	M5	- DCC240XXX3BXXQAB
271	0151L00011 VALVE, TXV R-410A (QTY 2)	M6	- DCC240XXX3BXXXAA
281	0270L00189 BASEPAN WELDMENT, RETURN SIDE	M7	- DCC240XXX3BXXXAB
291	0270L00336 BASEPAN WELD, OUTDOOR	M8	- DCC240XXX4BXXAC
301	0121L00948 BASE PAN-SUPPLY	M9	- DCC240XXX4BHXAAB
321	0121L00647 MTG RAIL-COMPRESSOR (QTY 2)	M10	- DCC240XXX4BHXAAC
331	ZP122KCETFD155 COMP, 124000, 460/60/3 (M8, M10, M12, M14, M17, M18, M28, M30)	M11	- DCC240XXX4BHXXAB
331	ZP122KCETFE155 COMP, 124000, 575/60/3 (M20, M23)	M12	- DCC240XXX4BHXXAC
331	ZP122KCETF5250 COMP, 124000, 200/230/60/3 (M1, M3, M5, M7, M25, M26)	M13	- DCC240XXX4BXXAAB
331	ZP120KCETFE155 COMPRESSOR 121,000, 575/60/3 (M21, M22)	M14	- DCC240XXX4BXXAAC
331	ZP120KCETF5250 COMPRESSOR 123,000, 200/230/60/3 (M2, M4, M6, M24)	M15	- DCC240XXX4BXXXAA
331	ZP120KCETFD155 COMPRESSOR 123,000, 460/60/3 (M9, M11, M13, M15, M16, M19, M27, M29)	M16	- DCC240XXX4BXXXAB
341	0130L00019 CRANK CASE HEATER, 70W, 575V (M20, M23)	M17	- DCC240XXX4BXXXAC
341	0130L00020 CRANK CASE HEATER, 90W, 240V (M2, M4, M6, M24)	M18	- DCC240XXX4BXXYAC
341	0130L00021 CRANK CASE HEATER, 90W, 480V (M9, M11, M13, M15, M16, M19, M27, M29)	M19	- DCC240XXX4BXXZAB
341	0130L00022 CRANK CASE HEATER, 90W, 575V (M21, M22)	M20	- DCC240XXX7BBXXAC
341	0130L00017 CRANK CASE HEATER-70W 240V (M1, M3, M5, M7, M25, M26)	M21	- DCC240XXX7BXXXAA
341	0130L00018 CRANK CASE HEATER-70W, 480V (M8, M10, M12, M14, M17, M18, M28, M30)	M22	- DCC240XXX7BXXXAB
351	0159L00044 COMPRESSOR SCROLL HARNESS (M8, M9, M10, M11, M12, M13, M14, M15, M16, M17, M18, M19, M20, M21, M22, M23, M27, M28, M29, M30)	M23	- DCC240XXX7BXXXAC
351	0159L00045 COMPRESSOR SCROLL HARNESS (M8, M9, M10, M11, M12, M13, M14, M15, M16, M17, M18, M19, M20, M21, M22, M23, M27, M28, M29, M30)	M24	- DCC2400313BAXCAA
351	0159L00048 COMPRESSOR SCROLL HARNESS (M1, M2, M3, M4, M5, M6, M7, M24, M25, M26)	M25	- DCC2400313BAXCAB
351	0159L00049 COMPRESSOR SCROLL HARNESS (M1, M2, M3, M4, M5, M6, M7, M24, M25, M26)	M26	- DCC2400313BHXAAB
NS	0163M00175 CAP WITH O-RING (QTY 4)	M27	- DCC2400604BJXFAB
<b>Image 2:</b>		M28	- DCC2400604BJXFAC
362	0164M00018 COMPRESSOR GROMMET (QTY 8)	M29	- DCC2400604BXXBAB
372	B1393740 COMPRESSOR BOLT & SLEEVE (QTY 8)	M30	- DCC2400604BXXBAC

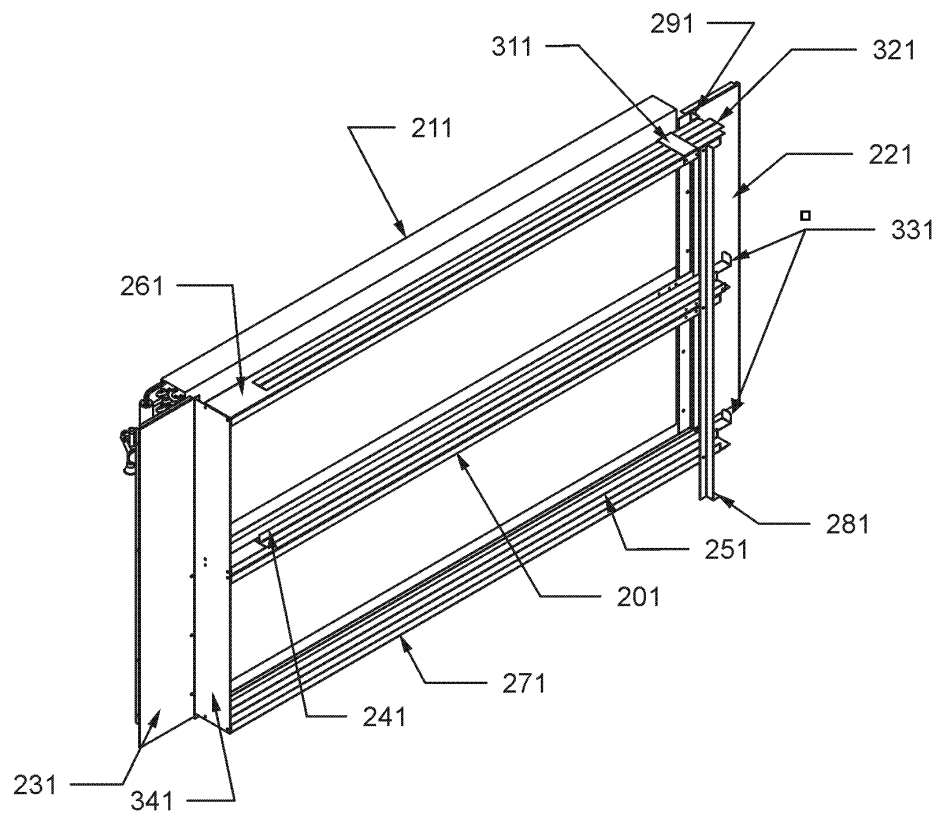
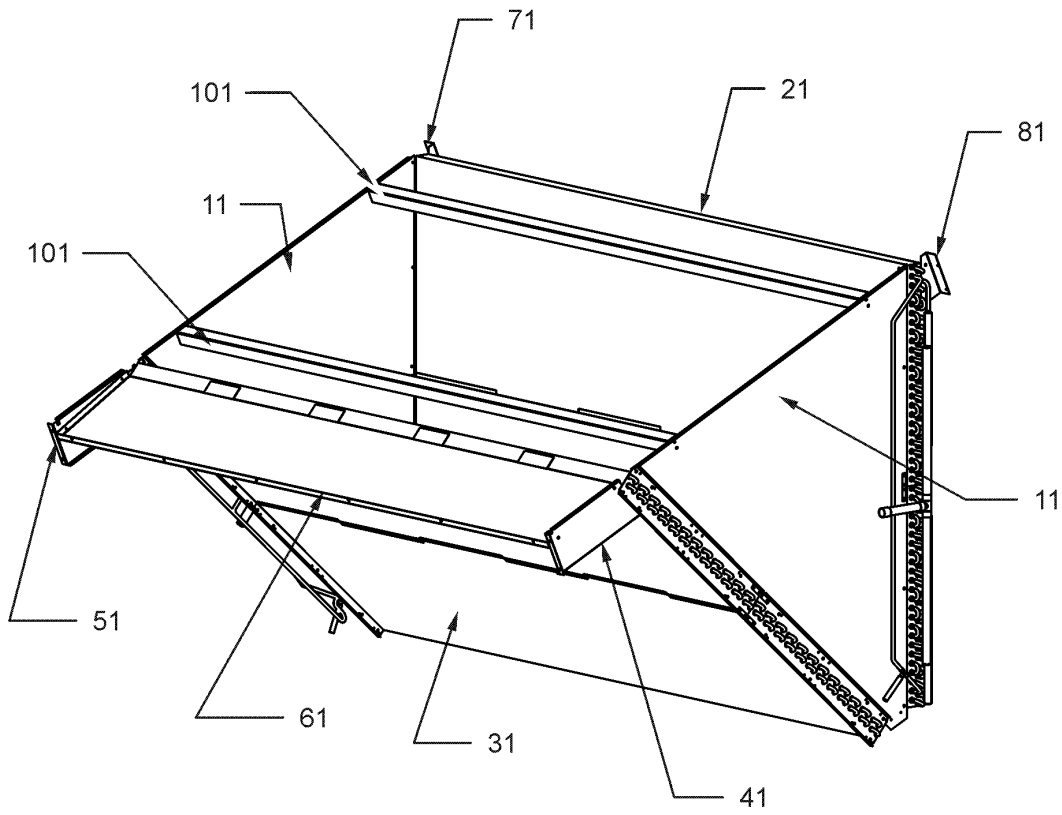
# Partition and Base Pan Assembly



# Partition and Base Pan Assembly

Ref. Part No: No:	Description:	Ref. Part No: No:	Description:
<b>Image 1:</b>		<b>Expanded Model Nomenclature</b>	
31	0121L01163 DECK, SIDE DUCT END	M1	- DCC240XXX3BBXXAB
41	0121L01162 DECK, SIDE HEAT END	M2	- DCC240XXX3BHXXAA
51	0121L01160 BLOWER DECK, EVAP SIDE	M3	- DCC240XXX3BHXXAB
61	0121L01161 BLOWER DECK, MOTOR SIDE	M4	- DCC240XXX3BXXQAA
71	0121L00714 MOTOR MOUNT ANGLE (QTY 3)	M5	- DCC240XXX3BXXQAB
91	0121L00478 BLOWER DECK RAIL (QTY 2)	M6	- DCC240XXX3BXXXAA
101	0270L00612DG WELDMENT-DRAIN PAN	M7	- DCC240XXX3BXXAB
121	0121L00913 BRACKET-COND/BASEPAN (QTY 2)	M8	- DCC240XXX4BXXAC
131	0121L00591 ELECTRIC HEAT MOUNTING PLATE	M9	- DCC240XXX4BHXAAB
141	0121L00592 ELECTRIC HEAT SUPPORT	M10	- DCC240XXX4BHXAAC
161	0121L00481 BLOWER RAIL (QTY 2)	M11	- DCC240XXX4BHXXAB
221	0121L00605 FORK BOARD PLATE	M12	- DCC240XXX4BHXXAC
231	0121L00720 SIDE RAIL	M13	- DCC240XXX4BXXAAB
241	0121L00616 RAIL BRACE ANGLE, RIGHT (QTY 4)	M14	- DCC240XXX4BXXAAC
251	0121L00617 RAIL BRACE ANGLE, LEFT (QTY 4)	M15	- DCC240XXX4BXXXAA
261	0121L00723 BASE RAIL CORNER BRACE (QTY 4)	M16	- DCC240XXX4BXXXAB
271	0141L00029 FORK BOARD (QTY 2)	M17	- DCC240XXX4BXXXAC
281	0121L00724 FORK BOARD BRACKET (QTY 4)	M18	- DCC240XXX4BXXYAC
291	0121L00721 BASE RAIL, CONDENSER END (QTY 2)	M19	- DCC240XXX4BXXZAB
301	0121L00722 BASE RAIL, ACCESSORY END	M20	- DCC240XXX7BBXXAC
311	0121L01158 SHIELD, BLOWOFF	M21	- DCC240XXX7BXXXAA
321	0121L00719 CONTROL SIDE BASE RAIL	M22	- DCC240XXX7BXXXAB
331	0121L00625 COMPRESSOR RAIL BRACKET (QTY 4)	M23	- DCC240XXX7BXXXAC
NS	0121L00593 FLUE HOLE COVER	M24	- DCC2400313BAXCAA
NS	0164G00004 GROMMET-HORSESHOE 1.75 (QTY 2)	M25	- DCC2400313BAXCAB
NS	0121L00321 SMOKE DETECTOR COVER	M26	- DCC2400313BHXAAB
		M27	- DCC2400604BJXFAB
		M28	- DCC2400604BJXFAC
		M29	- DCC2400604BXXBAB
		M30	- DCC2400604BXXBAC

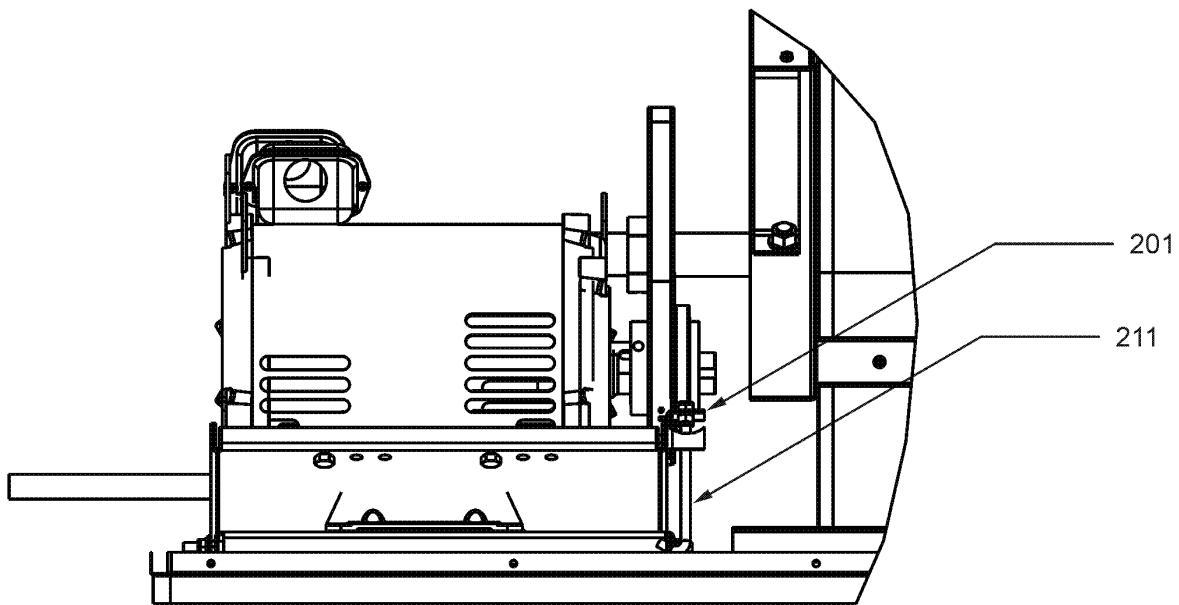
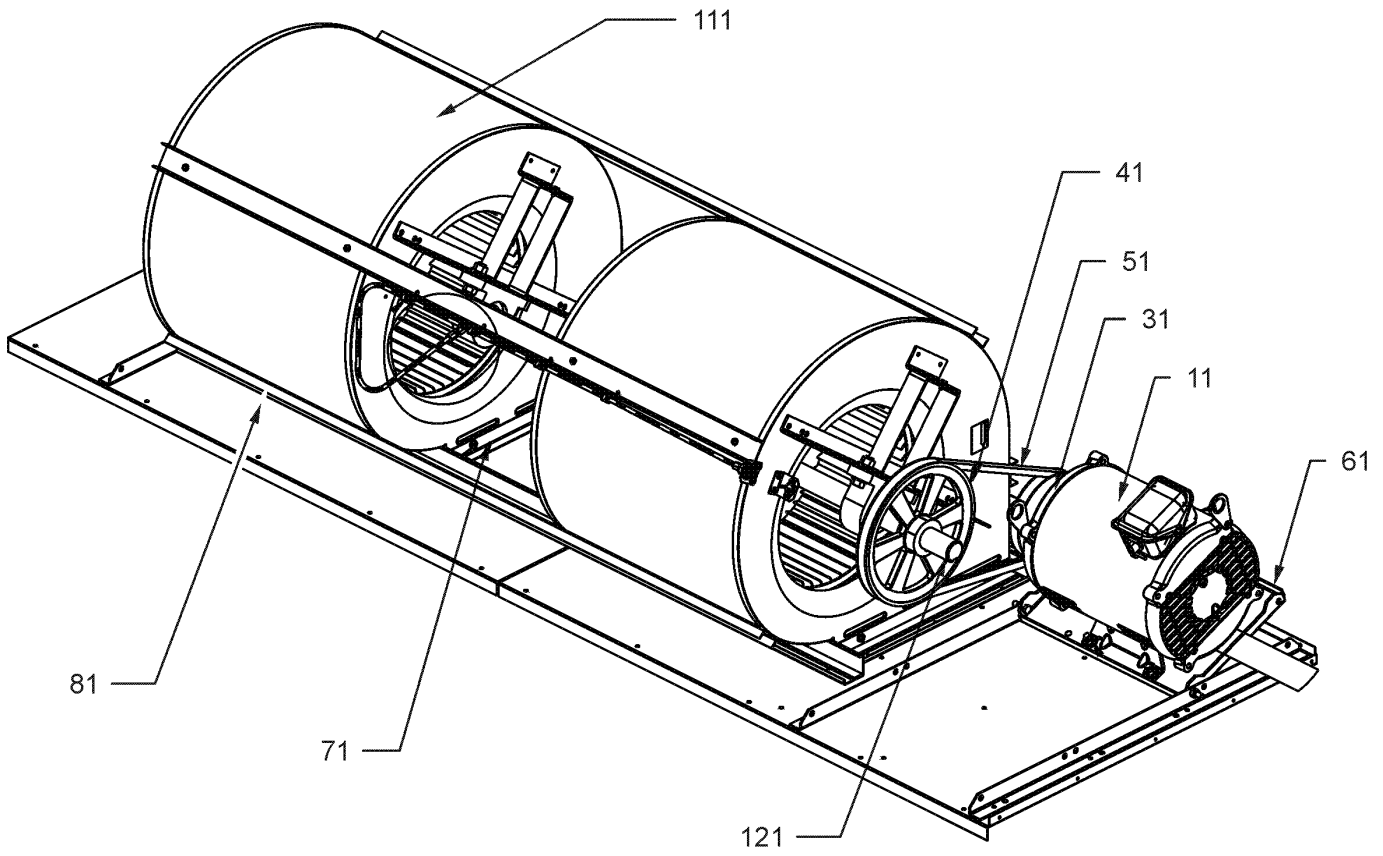
# Condenser and Evaporator Assembly



# Condenser and Evaporator Assembly

Ref. Part No: No:	Description:	Ref. Part No: No:	Description:
<b>Image 1:</b>		<b>Expanded Model Nomenclature</b>	
21	0201L00151	CONDENSER COIL ASSY C1	M1 - DCC240XXX3BBXXAB
31	0201L00152	CONDENSER COIL ASSY C2	M2 - DCC240XXX3BHXXAA
41	0121L01154	BRACKET, CONDENSER END C1	M3 - DCC240XXX3BHXXAB
51	0121L01156	BRACKET, CONDENSER END C2	M4 - DCC240XXX3BXXQAA
61	0121L00572	CONDENSER BLOCKOFF, INSIDE TOP	M5 - DCC240XXX3BXXQAB
71	0121L01153	BRACKET, COND/POST C2	M6 - DCC240XXX3BXXXAA
81	0121L01155	BRACKET, COND/POST C1	M7 - DCC240XXX3BXXXAB
101	0121L01037	ANGLE, TOP BRACE (QTY 2)	M8 - DCC240XXX4BBXXAC
201	0270L00230	CENTER FILTER RACK (M15)	M9 - DCC240XXX4BHXAAB
201	0270L00658	CENTER FILTER RACK (M1, M2, M3, M4, M5, M6, M7, M8, M9, M10, M11, M12, M13, M14, M16, M17, M18, M19, M20, M21, M22, M23, M24, M25, M26, M27, M28, M29, M30)	M10 - DCC240XXX4BHXAAC
211	0202L00047	EVAPORATOR COIL ASSY (QTY 2)	M11 - DCC240XXX4BHXXAB
221	0121L00698	EVAPORATOR BLOCKOFF PANEL	M12 - DCC240XXX4BHXXAC
231	0121L00848	PANEL-EVAPORATOR, SMOKE DET	M13 - DCC240XXX4BXXAAB
241	0121L00633	CENTER SLIDER (M15)	M14 - DCC240XXX4BXXAAC
251	0121L00627	BOTTOM SLIDER (M15)	M15 - DCC240XXX4BXXXAA
261	0121L00629	TOP FILTER RACK (M15)	M16 - DCC240XXX4BXXXAB
261	0121L01180	TOP FILTER RACK (M1, M2, M3, M4, M5, M6, M7, M8, M9, M10, M11, M12, M13, M14, M16, M17, M18, M19, M20, M21, M22, M23, M24, M25, M26, M27, M28, M29, M30)	M17 - DCC240XXX4BXXXAC
271	0121L00701	BOTTOM FILTER RACK (M15)	M18 - DCC240XXX4BXXYAC
271	0121L01179	BOTTOM FILTER RACK (M1, M2, M3, M4, M5, M6, M7, M8, M9, M10, M11, M12, M13, M14, M16, M17, M18, M19, M20, M21, M22, M23, M24, M25, M26, M27, M28, M29, M30)	M19 - DCC240XXX4BXXZAB
281	0121L00632	FILTER SUPPORT ANGLE	M20 - DCC240XXX7BBXXAC
291	0121L00702	RIGHT SIDE BLOCKOFF, FILTER RACK (M15)	M21 - DCC240XXX7BXXXAA
291	0121L01508	RIGHT SIDE BLOCKOFF, FILTER RACK (M1, M2, M3, M4, M5, M6, M7, M8, M9, M10, M11, M12, M13, M14, M16, M17, M18, M19, M20, M21, M22, M23, M24, M25, M26, M27, M28, M29, M30)	M22 - DCC240XXX7BXXXAB
311	0121L00634	TOP ANGLE BRACKET	M23 - DCC240XXX7BXXXAC
321	0121L00633	TOP SLIDER (M15)	M24 - DCC2400313BAXCAA
331	0121L00640	FILTER PULL (QTY 2)	M25 - DCC2400313BAXCAB
341	0121L00933	ANGLE-FILTER, LEFT VERTICAL	M26 - DCC2400313BHXAAB
NS	0160L00137	Air Filter 20x25x2 (QTY 6)	M27 - DCC2400604BJXFAB
NS	0121L00703	BOTTOM BLOCKOFF, FILTER RACK	M28 - DCC2400604BJXFAC
NS	FRK180300	FILTER RACK ASSY (M1, M2, M3, M4, M5, M6, M7, M8, M9, M10, M11, M12, M13, M14, M16, M17, M18, M19, M20, M21, M22, M23, M24, M25, M26, M27, M28, M29, M30)	M29 - DCC2400604BXXBAB
			M30 - DCC2400604BXXBAC

# Blower Assembly



# Blower Assembly

Ref. Part No: No:	Description:	Ref. Part No: No:	Description:
-------------------	--------------	-------------------	--------------

**Image 1:**

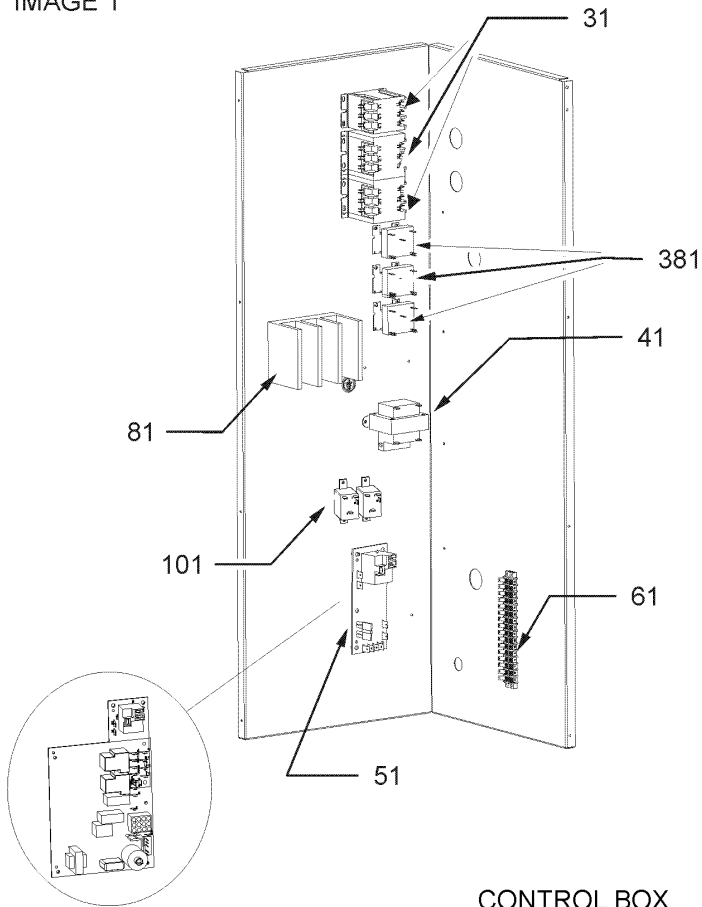
11	0131M00274	COND MOTOR 5.0 HP (M1, M2, M3, M4, M5, M6, M7, M8, M9, M10, M11, M12, M13, M14, M15, M16, M17, M18, M19, M24, M25, M26, M27, M28, M29, M30)
11	0131L00007	MOTOR-5 HP BELT DRIVE 575V 3P (M20, M21, M22, M23)
31	0163L00037	VARIABLE PITCH SHEAVE
41	0163L00036	FIXED SHEAVE
51	0164L00005	NOTCHED FAN BELT BX46
61	0121L00555	MOTOR BASE PLATE
71	0121L00482	BLOWER SIDE ANGLE (QTY 4)
81	0121L00479	BLOWER RAIL (QTY 2)
111	0271L00027	150-15R BD 1.44 TWIN BLOWER
201	0121L00557	MOTOR ADJUST BRACKET
211	0163L00034	HOKED BOLT

**Expanded Model Nomenclature**

M1 - DCC240XXX3BBXXAB
M2 - DCC240XXX3BHXXAA
M3 - DCC240XXX3BHXXAB
M4 - DCC240XXX3BXXQAA
M5 - DCC240XXX3BXXQAB
M6 - DCC240XXX3BXXXAA
M7 - DCC240XXX3BXXXAB
M8 - DCC240XXX4BBXXAC
M9 - DCC240XXX4BHXAAB
M10 - DCC240XXX4BHXAAC
M11 - DCC240XXX4BHXXAB
M12 - DCC240XXX4BHXXAC
M13 - DCC240XXX4BXXAAB
M14 - DCC240XXX4BXXAAC
M15 - DCC240XXX4BXXXAA
M16 - DCC240XXX4BXXXAB
M17 - DCC240XXX4BXXXAC
M18 - DCC240XXX4BXXYAC
M19 - DCC240XXX4BXXZAB
M20 - DCC240XXX7BBXXAC
M21 - DCC240XXX7BXXXAA
M22 - DCC240XXX7BXXXAB
M23 - DCC240XXX7BXXXAC
M24 - DCC2400313BAXCAA
M25 - DCC2400313BAXCAB
M26 - DCC2400313BHXAAB
M27 - DCC2400604BJXFAB
M28 - DCC2400604BJXFAC
M29 - DCC2400604BXXBAB
M30 - DCC2400604BXXBAC

# Control Panel Assembly

IMAGE 1



CONTROL BOX FOR MODELS WITH DDC CONTROL

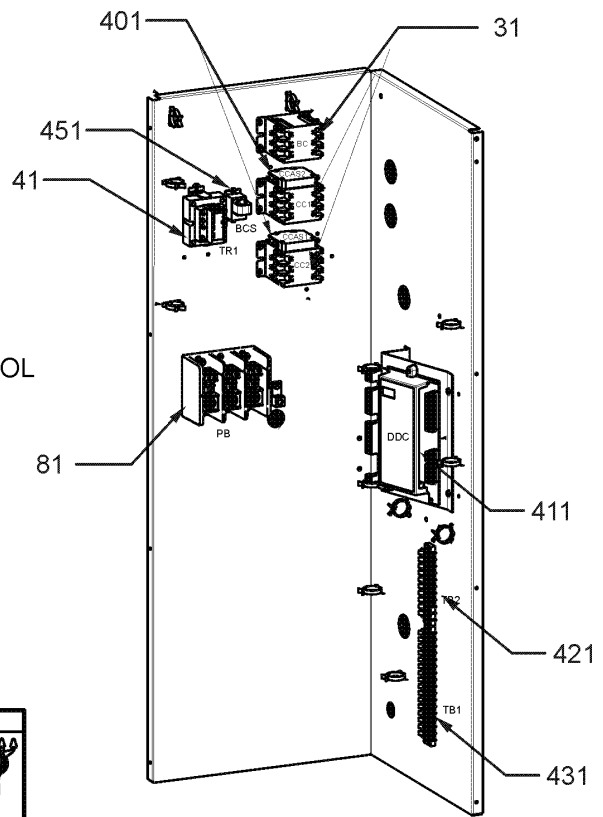
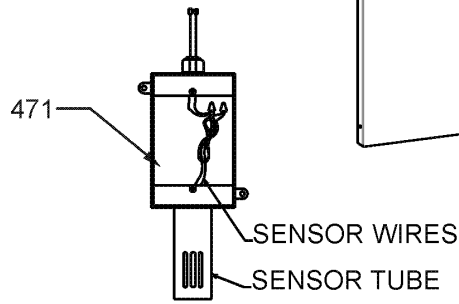
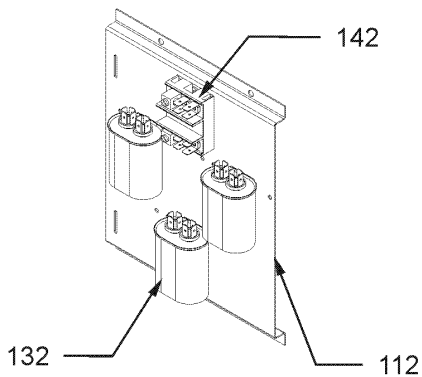


IMAGE 2



FRONT VIEW

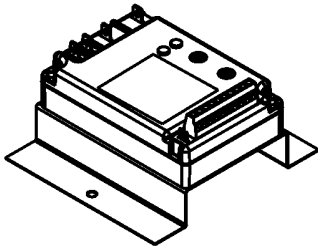
# Control Panel Assembly

Ref. Part No: No:	Description:	Ref. Part No: No:	Description:
<b>Image 1:</b>		<b>Expanded Model Nomenclature</b>	
31	CONT3P030024V CONTACTOR 30 AMP, 3P, 24V	M1 - DCC240XXX3BBXXAB	
31	CONT3P050024V CONTACTOR 50 AMP, 3P, 24V (M1, M2, M3, M4, M5, M6, M7, M24, M25, M26)	M2 - DCC240XXX3BHXXAA	
41	0130M00144 TRANSFORMER (M1, M2, M3, M4, M5, M6, M7, M24, M25, M26)	M3 - DCC240XXX3BHXXAB	
41	0130M00145 TRANSFORMER 480V to 24V, 75VA (M8, M9, M10, M11, M12, M13, M14, M15, M16, M17, M18, M19, M27, M28, M29, M30)	M4 - DCC240XXX3BXXQAA	
41	0130M00148 TRANSFORMER 575V to 24V, 75VA (M20, M21, M22, M23)	M5 - DCC240XXX3BXXQAB	
51	PCBFM103 ELECTRONIC BLOWER TIME DELAY	M6 - DCC240XXX3BXXXAA	
61	0130M00038 TERMINAL BOARD	M7 - DCC240XXX3BXXAB	
81	0130M00042 BLOCK, POWER	M8 - DCC240XXX4BBXXAC	
101	0130M00242 RELAY, 24V (QTY 2)	M9 - DCC240XXX4BHXAAB	
381	0130M00025 24V RELAY (QTY 2)	M10 - DCC240XXX4BHXAAC	
401	0130M00249 AUXILLARY SWITCH (M1, M8, M20)	M11 - DCC240XXX4BHXXAB	
411	PCBCG100 DDC Controller (M1, M8, M20)	M12 - DCC240XXX4BHXXAC	
421	0130M00274 TERMINAL BOARD (M1, M8, M20)	M13 - DCC240XXX4BXXAAB	
431	0130M00275 TERMINAL BOARD (M1, M8, M20)	M14 - DCC240XXX4BXXAAC	
451	0259L00368 CURRENT SWITCH WITH TERMS (M1, M8, M20)	M15 - DCC240XXX4BXXXAA	
471	0130L00108 OUTDOOR AIRTEMP SENSOR-OE250-G (M1, M8, M20)	M16 - DCC240XXX4BXXXAB	
NS	0259L00118 CONDENSER FAN HARNESS, LONG	M17 - DCC240XXX4BXXXAC	
NS	0259L00117 CONDENSER FAN HARNESS, MEDIUM	M18 - DCC240XXX4BXXYAC	
NS	0259L00116 CONDENSER FAN HARNESS, SHORT	M19 - DCC240XXX4BXXZAB	
NS	0130L00112 DUCT TEMPERATURESENSOR-OE230-G (M1, M8, M20)	M20 - DCC240XXX7BBXXAC	
NS	0259L00398 HARN, COMP1-CCH-HPS-LPS (M1, M8, M20)	M21 - DCC240XXX7BXXXAA	
NS	0259L00397 HARN, COMP2-CCH-HPS-LPS (M1, M8, M20)	M22 - DCC240XXX7BXXXAB	
NS	0259L00392 HARN, DCC 10 PIN CONN (M1, M8, M20)	M23 - DCC240XXX7BXXXAC	
NS	0259L00432 HARN, DDC 12 PIN CONN (M1, M8, M20)	M24 - DCC2400313BAXCAA	
NS	0259L00389 HARN, DDC 2 PIN CONN (M1, M8, M20)	M25 - DCC2400313BAXCAB	
NS	0259L00390 HARN, DDC 6 PIN CONN (M1, M8, M20)	M26 - DCC2400313BHXAAB	
NS	0259L00391 HARN, DDC 8 PIN CONN (M1, M8, M20)	M27 - DCC2400604BJXFAB	
NS	0259L00396 HARN, PWR, PB-CC1,CC2 (M1, M8, M20)	M28 - DCC2400604BJXFAC	
NS	0259L00395 HARN, TR1 PWR CNTL (M1, M8, M20)	M29 - DCC2400604BXXBAB	
NS	0159L00052 HARNESS JUMPER LONG	M30 - DCC2400604BXXBAC	
NS	0259L00106 HARNESS, CONTROL AC		
NS	0259L00164 HARNESS, ECONOMIZER AC		
NS	0259L00107 HARNESS, E-HEAT		
NS	0159L00051 HARNESS, JUMPER SHORT		
NS	0259L00101 MOTOR HARNESS-BELT DRIVE (M1, M8, M20)		
<b>Image 2:</b>			
112	0121L00585 CAPACITOR MOUNTING PLATE		
132	CAP100000370LA CAPACITOR 10/370V (M1, M2, M3, M4, M5, M6, M7, M8, M9, M10, M11, M12, M13, M14, M16, M17, M18, M19, M24, M25, M26, M27, M28, M29, M30)		
132	CAP050000370LA CAPACITOR 5/370V (M15, M21)		
132	CAP050000440LA CAPACITOR 5/440V (M20, M22, M23)		
142	B1368250 TERMINAL BLOCK (HIGH VOLTAGE)		
NS	0121L00586 CAPACITOR COVER		
NS	20520901 CAPACITOR STRAP (QTY 3)		

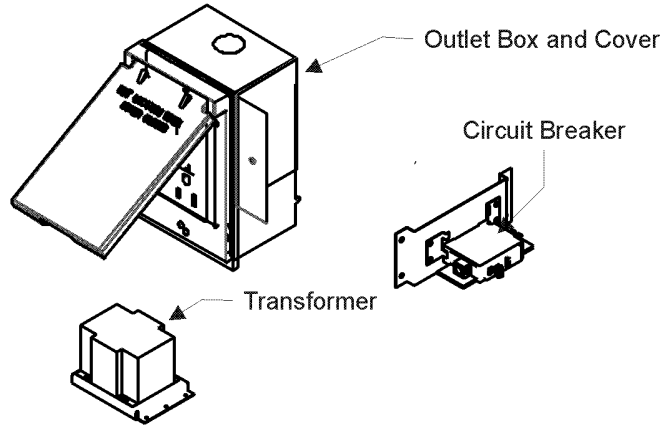
# ACCESSORY PARTS LIST

NOTE: NOT ALL OPTIONS AVAILABLE FOR ALL PRODUCTS

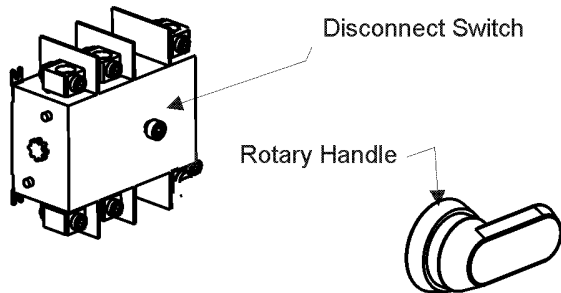
## LOW AMBIENT KITS



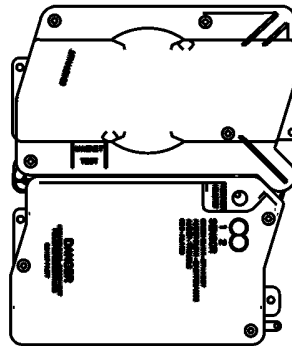
## GFCI CONVENIENCE OUTLET



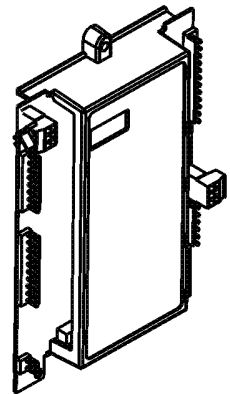
## DISCONNECT MODULE (NON-FUSED)



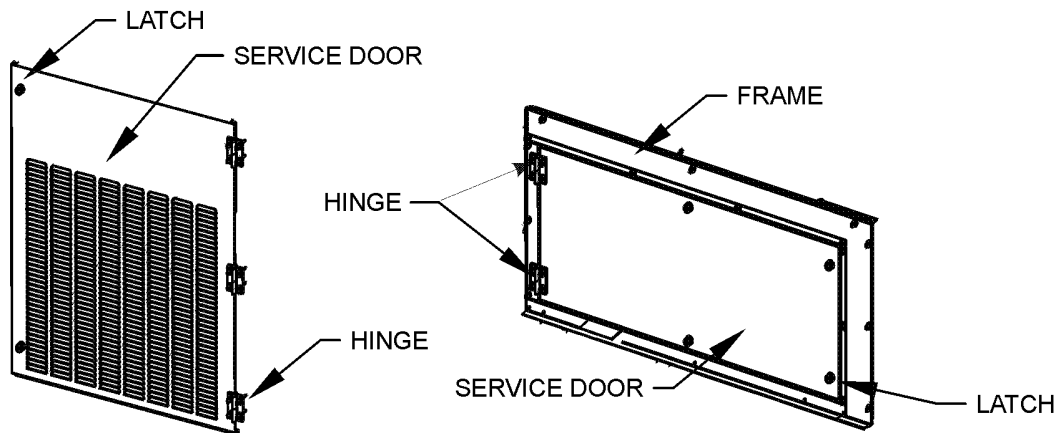
## SMOKE DETECTORS



## DDC CONTROL



## HINGED DOOR ASSEMBLIES



# Accessory Part List

Ref. Part No:	No:	Description:	Ref. Part No:	No:	Description:
<i>Image 1:</i>			<b>Expanded Model Nomenclature</b>		
NS	0121L00316	BRACKET-CONV OUTLET MOUNT (M4, M5, M9, M10, M13, M14, M26, M27, M28, M29, M30)	M1	-	DCC240XXX3BBXXAB
NS	0121L00838	BRACKET-DISCONNECT SWITCH (M2, M3)	M2	-	DCC240XXX3BHXXAA
NS	0121L00855	BRACKET-DISCONNECT SWITCH (M9, M10, M11, M12, M26, M27, M28)	M3	-	DCC240XXX3BHXXAB
NS	0121L01053	BRACKET-SMOKE DETECTOR (M18, M19)	M4	-	DCC240XXX3BXXQAA
NS	0130M00065	CIRCUIT BREAKER, CONVENIENCE OUTLET (M4, M5, M29, M30)	M5	-	DCC240XXX3BXXQAB
NS	0121L00839NG	DISCONNECT COVER (M2, M3, M9, M10, M11, M12, M26, M27, M28)	M6	-	DCC240XXX3BXXAA
NS	0130L00012	GANG BOX-GFCI OUTLET (M4, M5, M9, M10, M13, M14, M26, M27, M28, M29, M30)	M7	-	DCC240XXX3BXXAB
NS	0130L00039	HANDLE, ROTARY (M9, M10, M11, M12, M26, M27, M28)	M8	-	DCC240XXX4BXXAC
NS	0130L00038	HANDLE, ROTARY 250A (M2, M3)	M9	-	DCC240XXX4BHXAAB
NS	LAKT03	LOW AMBIENT KIT (M4, M5, M18, M24, M25, M27, M28)	M10	-	DCC240XXX4BHXAAC
NS	0161G00012	POWER OUTLET BOX (M4, M5, M9, M10, M13, M14, M26, M27, M28, M29, M30)	M11	-	DCC240XXX4BHXXAB
NS	0130L00103	RECEPTACLE-GFCI OUTLET (M4, M5, M9, M10, M13, M14, M26, M27, M28, M29, M30)	M12	-	DCC240XXX4BHXXAC
NS	0130L00043	SHAFT, CUT (M9, M10, M11, M12, M26)	M13	-	DCC240XXX4BXXAAB
NS	0130L00058	SHAFT, CUT (M27, M28)	M14	-	DCC240XXX4BXXAAC
NS	0130L00060	SHAFT, CUT (M2, M3)	M15	-	DCC240XXX4BXXXAA
NS	0130L00048	SHAFT, DISCONNECT (M2, M3)	M16	-	DCC240XXX4BXXXAB
NS	0130L00049	SHAFT, DISCONNECT (M9, M10, M11, M12, M26, M27, M28)	M17	-	DCC240XXX4BXXXAC
NS	D4120	SMOKE DETECTOR, PHOTO 4WIRE (M18, M19)	M18	-	DCC240XXX4BXXYAC
NS	D4S	SMOKE DETECTOR, SENSOR ONLY (M18, M19)	M19	-	DCC240XXX4BXXZAB
NS	0130L00027	SWITCH-DISCONNECT 100A (M27, M28)	M20	-	DCC240XXX7BBXXAC
NS	0130L00033	SWITCH-DISCONNECT 200A (M9, M10, M11, M12, M26)	M21	-	DCC240XXX7BXXXAA
NS	0130L00030	SWITCH-DISCONNECT 250A (M2, M3)	M22	-	DCC240XXX7BXXXAB
NS	0130M00061	TRANSFORMER, CONVENIENCE OUTLET (M4, M5, M29, M30)	M23	-	DCC240XXX7BXXXAC
			M24	-	DCC2400313BAXCAA
			M25	-	DCC2400313BAXCAB
			M26	-	DCC2400313BHXAAB
			M27	-	DCC2400604BJXFAB
			M28	-	DCC2400604BJXFAC
			M29	-	DCC2400604BXXBAB
			M30	-	DCC2400604BXXBAC