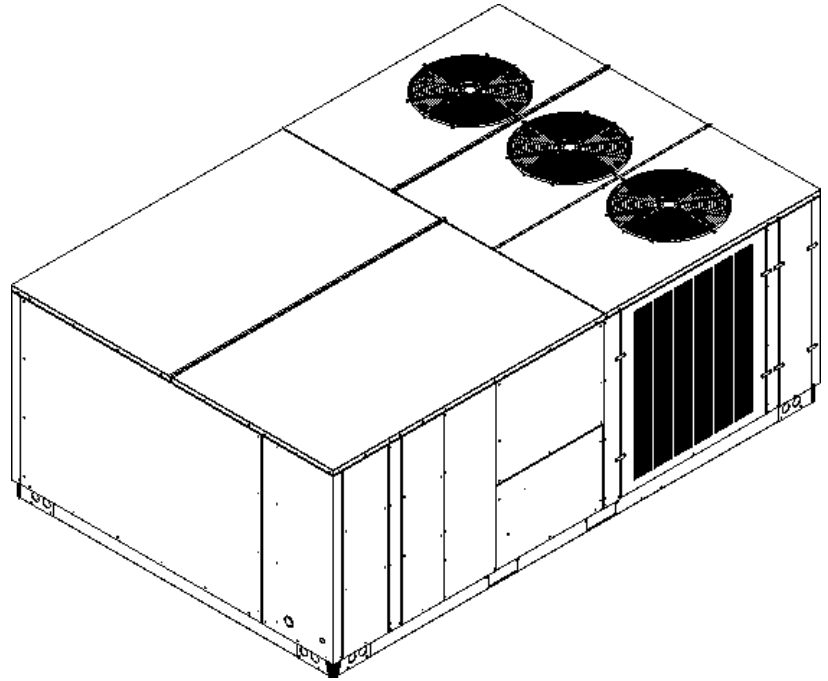


Commercial 15 & 20 Ton Package Cooling Units (EXPORT)

DCC180XXX5BXXXAB
DCC180XXX6BXXXAA
DCC180XXX6BXXXAC
DCC240XXX5BXXXAB
DCC240XXX6BXXXAA
DCC240XXX6BXXXAB



This manual is to be used by qualified technicians only.

This manual replaces RP-D1052C.

© 2017 - 2018 **DAIKIN COMPANY, L.P.** ◇ 5151 San Felipe St., Suite 500 ◇ Houston, TX 77056

Important Information

Index

Functional Parts List	3
Illustration and Parts	4 - 17

Views shown are for parts illustrations only, not servicing procedures.

Text Codes:

AR - As Required

NA - Not Available

NS - Not Shown

00000000 - See Note

QTY - Quantity Example (QTY 3) (If Quantity not shown, Quantity = 1)

M - Model Example (M1) (If M Code not shown, then part is used on all Models)

Expanded Model Nomenclature:

Example
M1 - Model#1
M2 - Model#2
M3 - Model#3

Daikin Company, L.P. is not responsible for personal injury or property damage resulting from improper service. Review all service information before beginning repairs.

Warranty service must be performed by an authorized technician, using authorized factory parts. If service is required after the warranty expires, Daikin Company, L.P. also recommends contacting an authorized technician and using authorized factory parts.

Daikin Company, L.P. reserves the right to discontinue, or change at any time, specifications or designs without notice or without incurring obligations.

For assistance within the U.S.A. contact:

Equipment Support
Daikin North America, LLC
19001 Kermier Road
Waller, Texas 77484
855-770-5678-Telephone
713-863-2382-Facsimile

For assistance outside the U.S.A. contact:

International Division
Daikin North America, LLC
19001 Kermier Road
Waller, Texas 77484
713-861-2500-Telephone
713-863-2382-Facsimile

Functional Parts

Part

No: Description:

0271L00026	*150-12R BD 1.18 TWIN BLOWER (M1, M2, M3)
0271L00027	*150-15R BD 1.44 TWIN BLOWER (M4, M5, M6)
0130M00025	24V RELAY (QTY 2)
0130M00242	24V RELAY (QTY 2)
0130M00042	BLOCK, POWER
CAP075000370LAE	CAP, 7.5 MFD/370V/OVAL (M3)
CAP075000370LA	CAPACITOR 7.5/370V (M1, M2, M4, M5, M6)
ZP103KCETFD155	COMPRESSOR 105,000, 460/60/3 (M1)
ZP137KCETFD155	COMPRESSOR 135,000, 460/60/3 (M4)
ZP83KCETF7130	COMPRESSOR, COPELAND (M2, M3)
0131M00274	COND MOTOR 5.0 HP
0231L00042	COND MOTOR, 1/3 HP, 460V (QTY 3)
CONT3P030024V	CONTACTOR 30 AMP, 3P, 24V (QTY 3)
ZP120KCETF7250	COPELAND COMP. 120000 380/3/60 (M5, M6)
0130L00021	CRANK CASE HEATER, 90W, 480V (M1, M4, M5, M6)
0130L00018	CRANK CASE HEATER-70W, 480V (M2, M3)
0130M00074	CUT-OUT SWITCH, HIGH PRESSURE (M1, M2, M4, M5)
0130M00087	CUT-OUT SWITCH, LOW PRESSURE (QTY 2)
PCBFM103	ELECTRONIC BLOWER TIME DELAY
0164L00006	FAN BELT, NOTCHED (M4, M5, M6)
0164L00004	FAN BELT-NOTCHED (M1, M2, M3)
10625733	FAN BLADE 22" ALUM CCW (QTY 3)
0130M00412	HIGH PRESSURE SWITCH (M3, M6)
0130L00105	PHASE MONITOR (M6)
B1368250	TERMINAL BLOCK (HIGH VOLTAGE)
0130M00038	TERMINAL BOARD
0130M00081	TRANSFORMER 380V, 75VA, RESETT

Expanded Model Nomenclature

M1 - DCC180XXX5BXXXAB
M2 - DCC180XXX6BXXXAA
M3 - DCC180XXX6BXXXAC
M4 - DCC240XXX5BXXXAB
M5 - DCC240XXX6BXXXAA
M6 - DCC240XXX6BXXXAB

CABINET ASSEMBLY

Ref. Part No:	Ref. Part No:	Description:	Description:
---------------	---------------	--------------	--------------

Image 1:

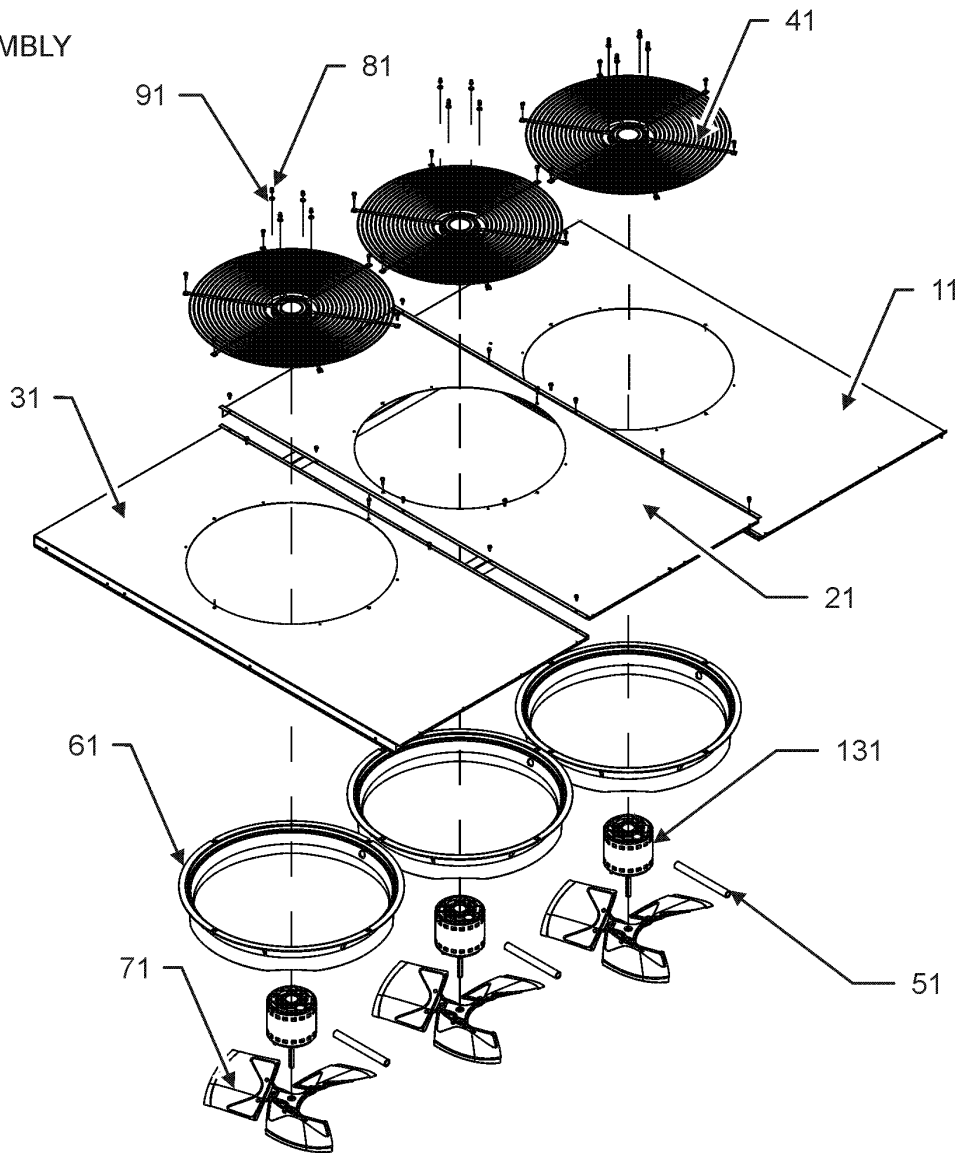
11	0121L01143NG	POST, CORNER (QTY 2)
21	0121L00681NG	PAINTED EVAP PANEL
51	0121L00679NG	CONTROL CORNER PANEL
61	0121L02048NG	PNT, POST-CONTROL /FILTER
71	0121L00710NG	POST/BLOWER DOOR
81	0121L00903NG	POST PARTITION-EVAP SIDE
91	0121L00906NG	POST-PARTITION, (COOL) HT
121	0121L00685NG	BLOWER DOOR-EVAP SIDE
131	0121L00688NG	ACCESSORY PANEL
141	0121L00687NG	CONTROL DOOR
151	0121L00686NG	FILTER DOOR
161	0121L00907NG	PANEL-COND SIDE (QTY 2)
171	0121L01144NG	POST, COND PANEL (QTY 3)
181	0121L01174NG	PANEL, LOUVER END PNT (QTY 2)
191	0121L00713NG	BLOWER DOOR-GAS SIDE
201	0121L00708NG	DOOR-ELECTRIC HEAT
211	0152L00000	GRILLE-CONDENSER (QTY 2)
NS	M0204317	SCREW-MACHINE (QTY 16)
NS	0121L00476NG	TURNBUCKLE DOOR (QTY 16)

Expanded Model Nomenclature

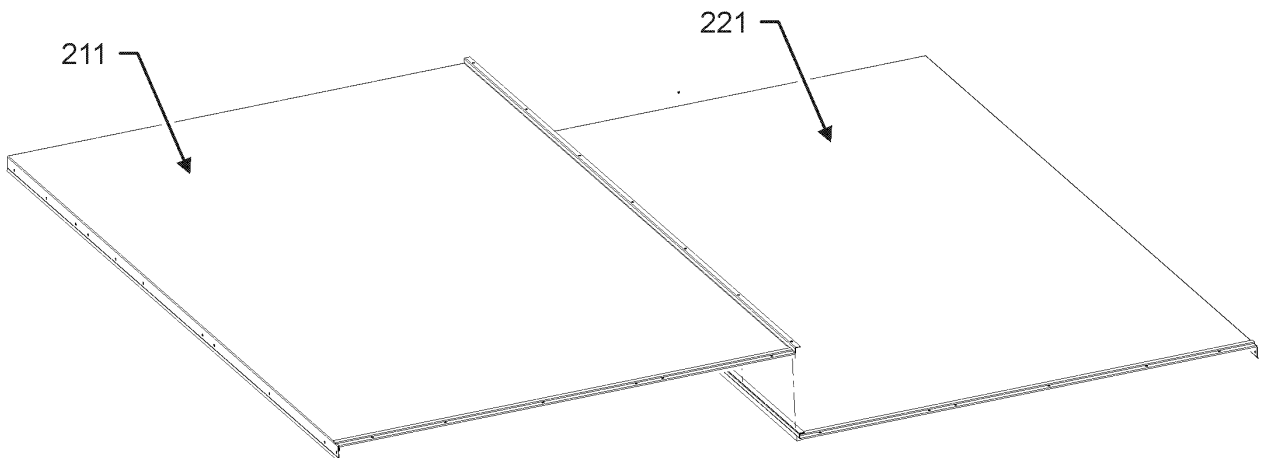
M1 - DCC180XXX5BXXXAB
M2 - DCC180XXX6BXXXAA
M3 - DCC180XXX6BXXXAC
M4 - DCC240XXX5BXXXAB
M5 - DCC240XXX6BXXXAA
M6 - DCC240XXX6BXXXAB

TOP PANEL ASSEMBLY

OUTDOOR ASSEMBLY



INDOOR ASSEMBLY



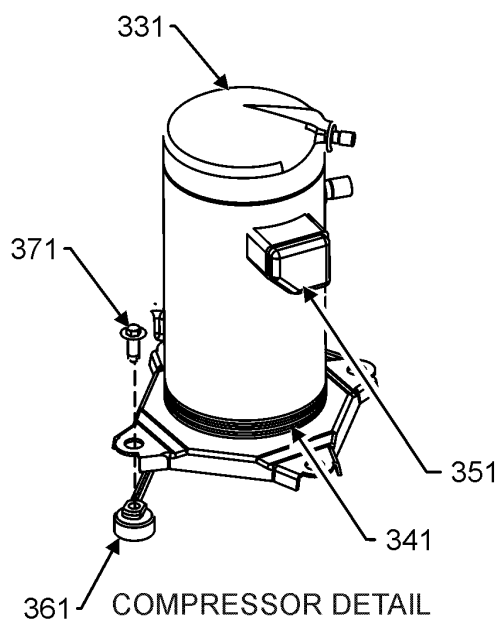
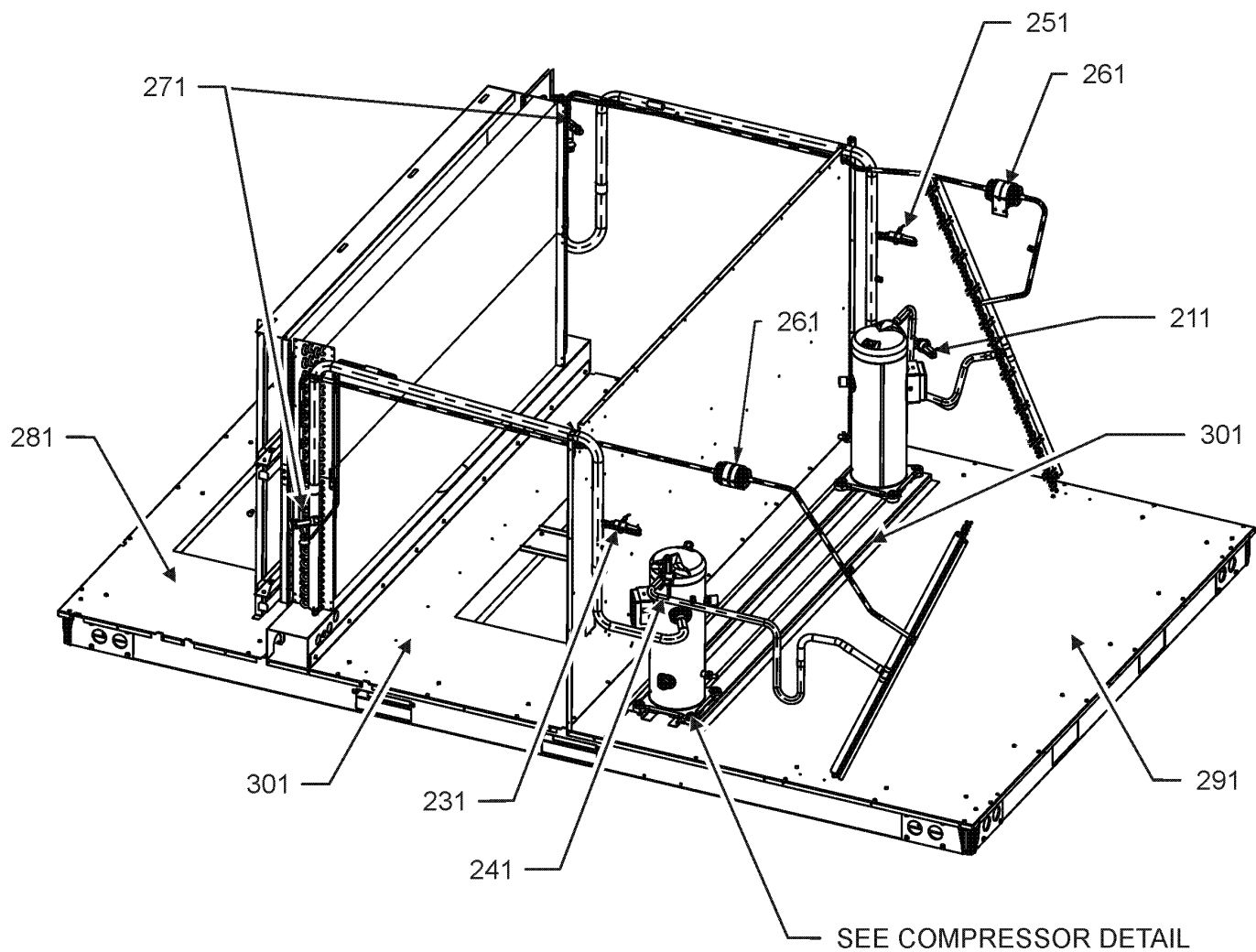
TOP PANEL ASSEMBLY

Ref. Part No:	No:	Description:	Ref. Part No:	No:	Description:
<i>Image 1:</i>					
11	0121L01038NG	TOP-FAN,CONTROL SIDE			
21	0121L01039NG	TOP-FAN, CENTER			
31	0121L01040NG	TOP-FAN, EVAP SIDE			
41	0152G00003	FAN GRILLE (QTY 3)			
51	17788000083F	PVC CONDUIT 8.25" (QTY 3)			
61	0161L00000	VENTURI RING 22" (QTY 3)			
71	10625733	FAN BLADE 22" ALUM CCW (QTY 3)			
81	0163M00006P	ACORN NUT 5/16 HEX BLACK (QTY 12)			
91	0163M00005P	WASHER, BLACK (.50 OD .218ID) (QTY 12)			
131	0231L00042	COND MOTOR, 1/3 HP, 460V (QTY 3)			
211	0121L00693NG	TOP-CONTROL SIDE			
221	0121L00694NG	TOP PANEL ASSY			
NS	0163M00004	SCREW #10X3/4", BLACK (QTY 2)			

Expanded Model Nomenclature

- M1 - DCC180XXX5BXXXAB
- M2 - DCC180XXX6BXXXAA
- M3 - DCC180XXX6BXXXAC
- M4 - DCC240XXX5BXXXAB
- M5 - DCC240XXX6BXXXAA
- M6 - DCC240XXX6BXXXAB

TUBING AND COMPRESSOR ASSEMBLY



TUBING AND COMPRESSOR ASSEMBLY

Ref. Part No: No:	Description:	Ref. Part No: No:	Description:
-------------------	--------------	-------------------	--------------

Image 1:

211	0130M00074	CUT-OUT SWITCH, HIGH PRESSURE (M1, M2, M4, M5)
211	0130M00412	HIGH PRESSURE SWITCH (M3, M6)
231	0130M00087	CUT-OUT SWITCH, LOW PRESSURE
241	0130M00074	CUT-OUT SWITCH, HIGH PRESSURE (M1, M2, M4, M5)
241	0130M00412	HIGH PRESSURE SWITCH (M3, M6)
251	0130M00087	CUT-OUT SWITCH, LOW PRESSURE
261	0151M00012	BI-FLOW FILTER DRIER (M1, M2, M3, M4)
261	0162L00025	FILTER DRIER (M5, M6)
271	0151L00011	VALVE, TXV R-410A (QTY 2)
281	0270L00189	BASEPAN WELDMENT, RETURN SIDE
291	0270L00336	BASEPAN WELD, OUTDOOR
301	0121L00948	BASE PAN-SUPPLY
321	0121L00647	MTG RAIL-COMPRESSOR (QTY 2)
331	ZP103KCETFD155	COMPRESSOR 105,000, 460/60/3 (M1)
331	ZP137KCETFD155	COMPRESSOR 135,000, 460/60/3 (M4)
331	ZP83KCETF7130	COMPRESSOR, COPELAND (M2, M3)
331	ZP120KCETF7250	COPELAND COMP. 120000 380/3/60 (M5, M6)
341	0130L00021	CRANK CASE HEATER, 90W, 480V (M1, M4, M5, M6)
341	0130L00018	CRANK CASE HEATER-70W, 480V (M2, M3)
NS	0163M00175	CAP WITH O-RING (QTY 4)

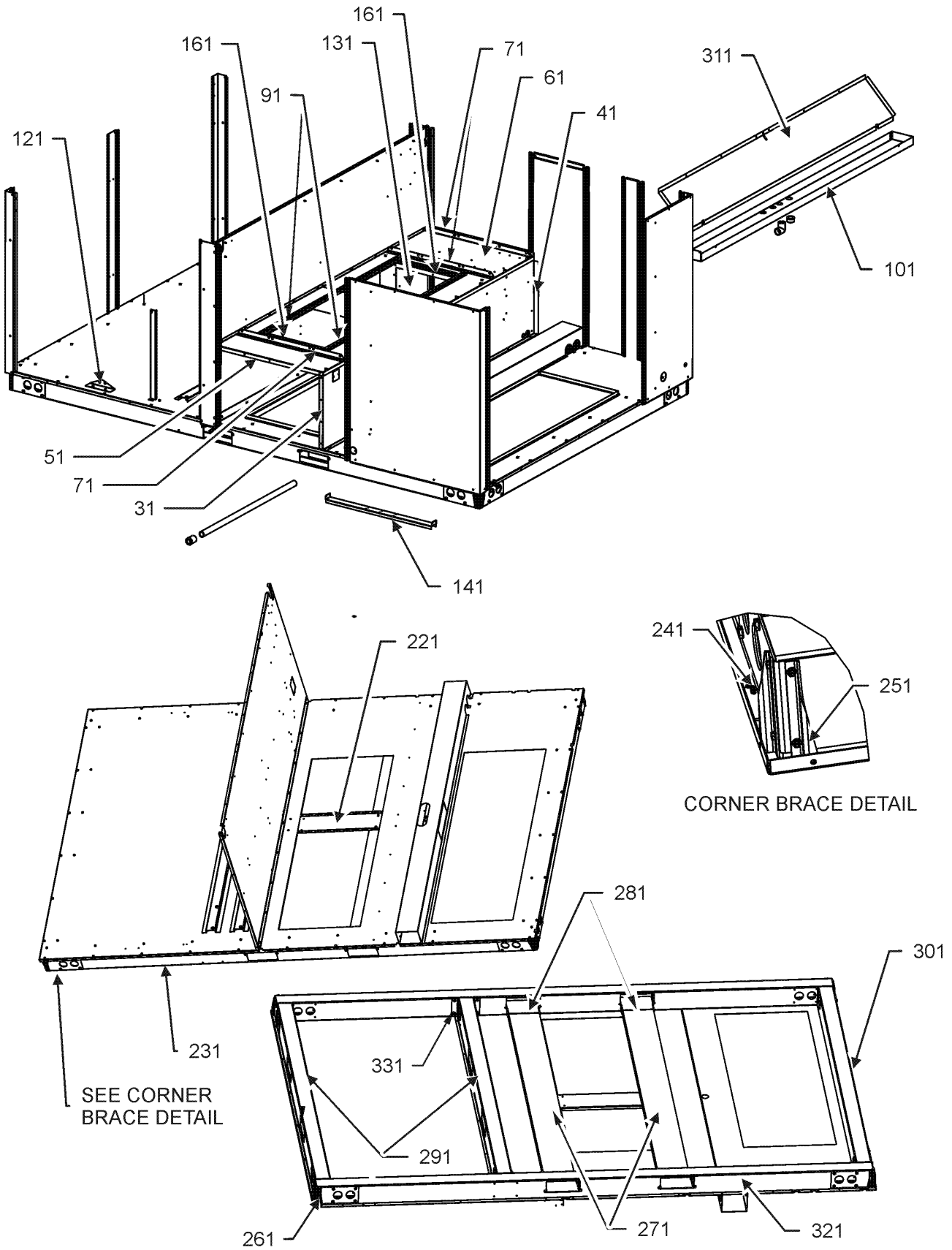
Image 2:

362	0164M00018	COMPRESSOR GROMMET (QTY 8)
372	B1393740	COMPRESSOR BOLT & SLEEVE (QTY 8)

Expanded Model Nomenclature

M1 - DCC180XXX5BXXXAB
M2 - DCC180XXX6BXXXAA
M3 - DCC180XXX6BXXXAC
M4 - DCC240XXX5BXXXAB
M5 - DCC240XXX6BXXXAA
M6 - DCC240XXX6BXXXAB

PARTITION AND BASEPAN ASSEMBLY



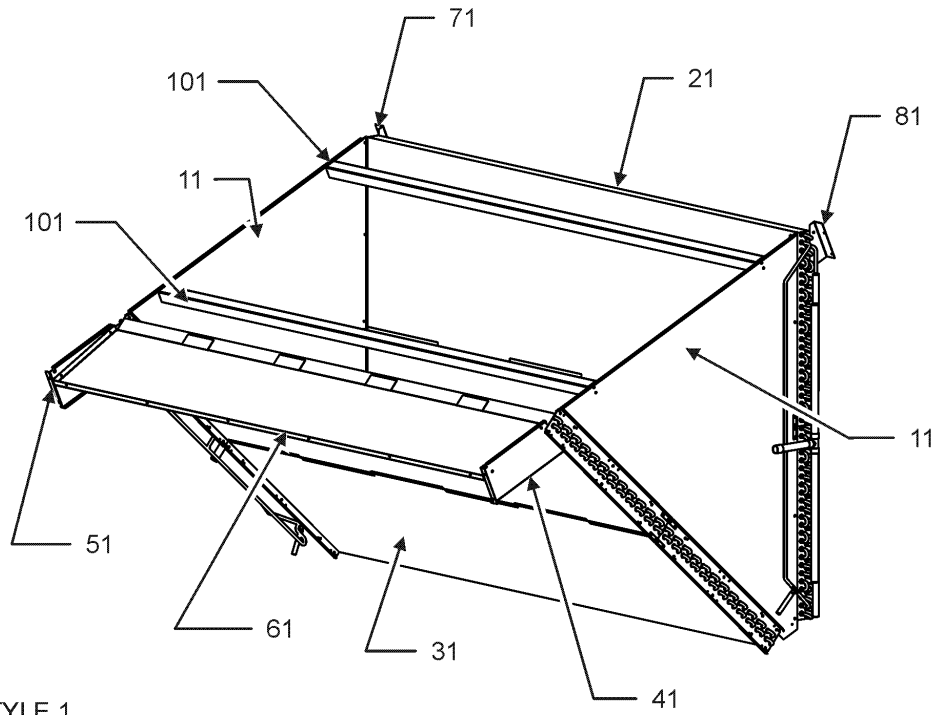
PARTITION AND BASEPAN ASSEMBLY

Ref. Part No:	Part No:	Description:	Ref. Part No:	Part No:	Description:
<i>Image 1:</i>					
31	0121L01163	DECK, SIDE DUCT END			
41	0121L01162	DECK, SIDE HEAT END			
51	0121L00652	BLOWER DECK, EVAP SIDE (M1, M2, M3)			
51	0121L01160	BLOWER DECK, EVAP SIDE (M4, M5, M6)			
61	0121L00653	BLOWER DECK, MOTOR SIDE (M1, M2, M3)			
61	0121L01161	BLOWER DECK, MOTOR SIDE (M4, M5, M6)			
71	0121L01431	MOTOR MOUNT ANGLE (QTY 3)			
91	0121L00478	BLOWER DECK RAIL (QTY 2)			
101	0270L00612DG	WELDMENT-DRAIN PAN			
121	0121L00913	BRACKET-COND/BASEPAN (QTY 2)			
131	0121L00591	ELECTRIC HEAT MOUNTING PLATE			
141	0121L00592	ELECTRIC HEAT SUPPORT			
161	0121L00481	BLOWER RAIL (QTY 2)			
221	0121L00605	FORK BOARD PLATE			
231	0121L00720	SIDE RAIL			
241	0121L00616	RAIL BRACE ANGLE, RIGHT (QTY 4)			
251	0121L00617	RAIL BRACE ANGLE, LEFT (QTY 4)			
261	0121L00723	BASE RAIL CORNER BRACE (QTY 4)			
271	0141L00029	FORK BOARD (QTY 2)			
281	0121L00724	FORK BOARD BRACKET (QTY 4)			
291	0121L00721	BASE RAIL, CONDENSER END (QTY 2)			
301	0121L00722	BASE RAIL, ACCESSORY END			
311	0121L01158	SHIELD, BLOWOFF			
321	0121L00719	CONTROL SIDE BASE RAIL			
331	0121L00625	COMPRESSOR RAIL BRACKET (QTY 4)			
NS	0121L00593	FLUE HOLE COVER			
NS	0164G00004	GROMMET-HORSESHOE 1.75 (QTY 2)			
NS	0121L00321	SMOKE DETECTOR COVER			

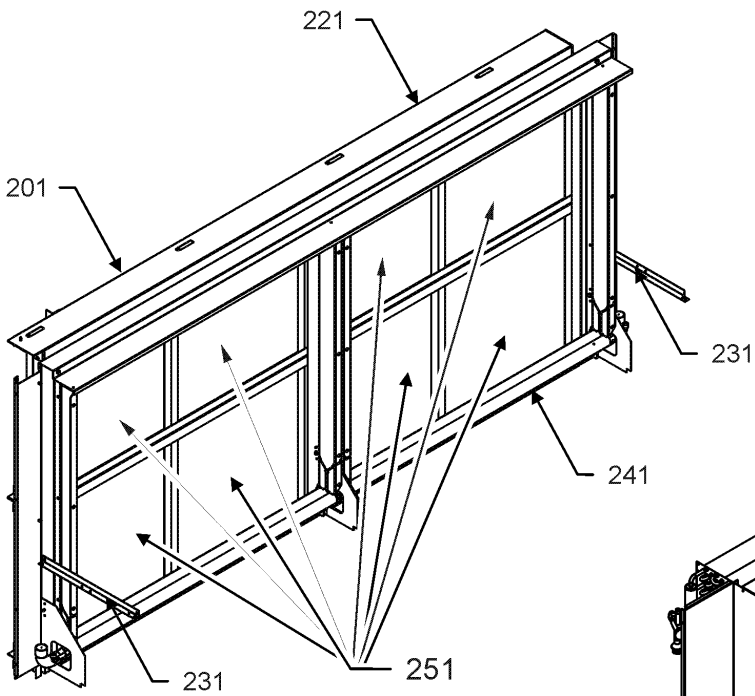
Expanded Model Nomenclature

M1 - DCC180XXX5BXXXAB
M2 - DCC180XXX6BXXXAA
M3 - DCC180XXX6BXXXAC
M4 - DCC240XXX5BXXXAB
M5 - DCC240XXX6BXXXAA
M6 - DCC240XXX6BXXXAB

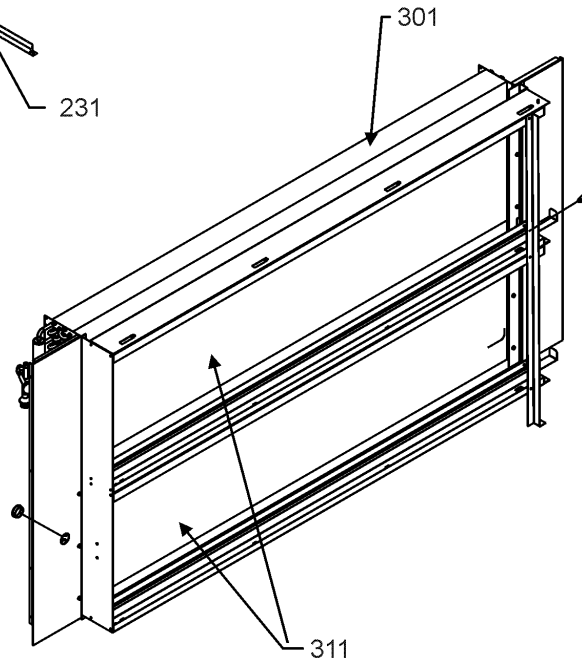
CONDENSER AND EVAPORATOR ASSEMBLY



EVAPORATOR ASSY STYLE 1



EVAPORATOR ASSY STYLE 2



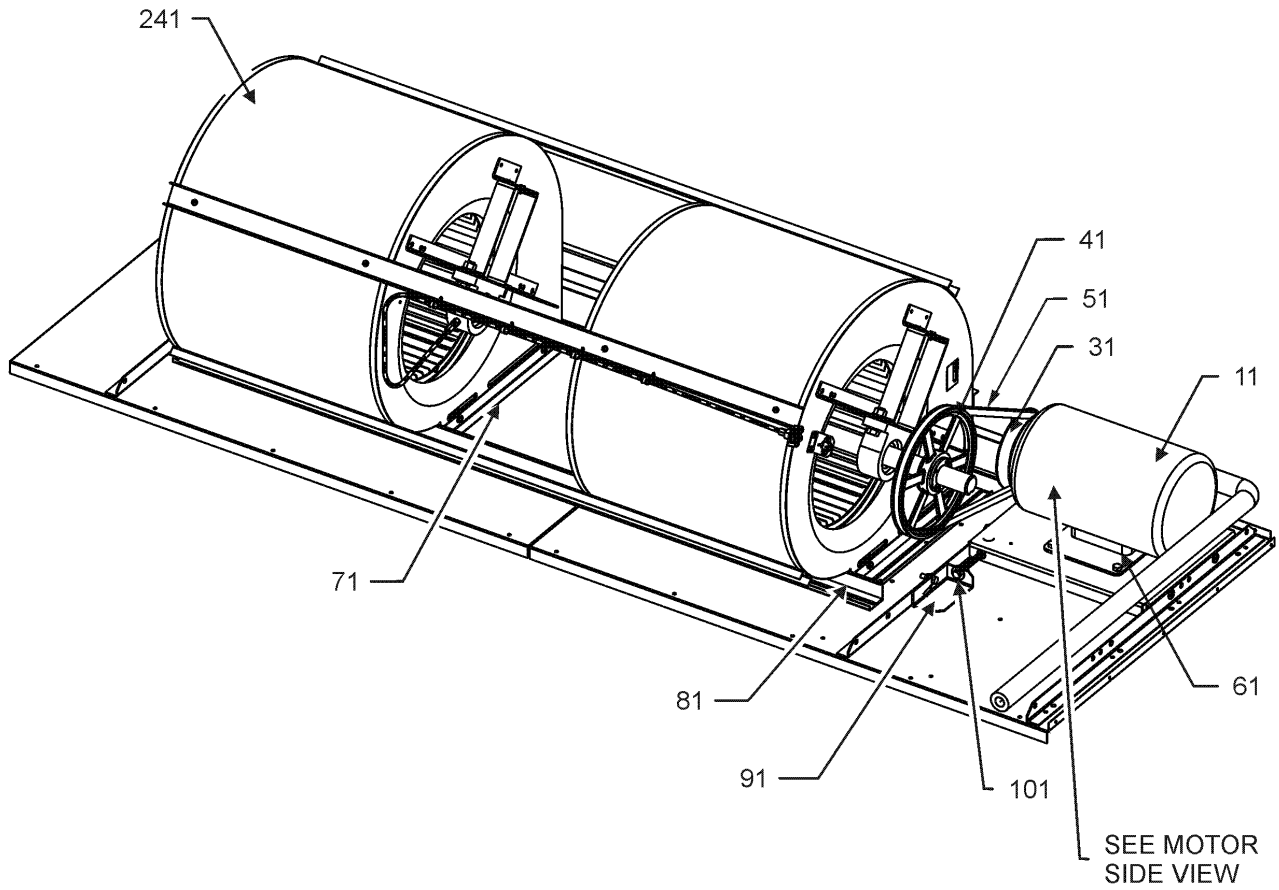
CONDENSER AND EVAPORATOR ASSEMBLY

Ref. Part No:	Description:	Ref. Part No:	Description:
<i>Image 1:</i>			
21	0201L00151		CONDENSER COIL ASSY C1 (M1, M4)
21	0201L00229		CONDENSER COIL ASSY C1 (M2, M3)
21	0201L00281		Condenser coil assy C1 (M5, M6)
31	0201L00152		CONDENSER COIL ASSY C2 (M1, M4)
31	0201L00230		CONDENSER COIL ASSY C2 (M2, M3)
31	0201L00282		Condenser coil assy C2 (M5, M6)
41	0121L01154		BRACKET, CONDENSER END C1
51	0121L01156		BRACKET, CONDENSER END C2
61	0121L00572		CONDENSER BLOCKOFF, INSIDE TOP
71	0121L01153		BRACKET, COND/POST C2
81	0121L01155		BRACKET, COND/POST C1
101	0121L01037		ANGLE, TOP BRACE (QTY 2)
201	0202L00097		EVAP COIL ASSY C1 (M5, M6)
221	0202L00098		EVAP COIL ASSY C2 (M5, M6)
231	0121L01164		SUPPORT BRKT, EVAP COIL (M5, M6)
251	0160L00136		Air Filter 20x20x2 (M5, M6)
301	0202L00047		EVAPORATOR COIL ASSY (M1, M2, M3, M4)
311	0160L00137		Air Filter 20x25x2 (M1, M2, M3, M4)

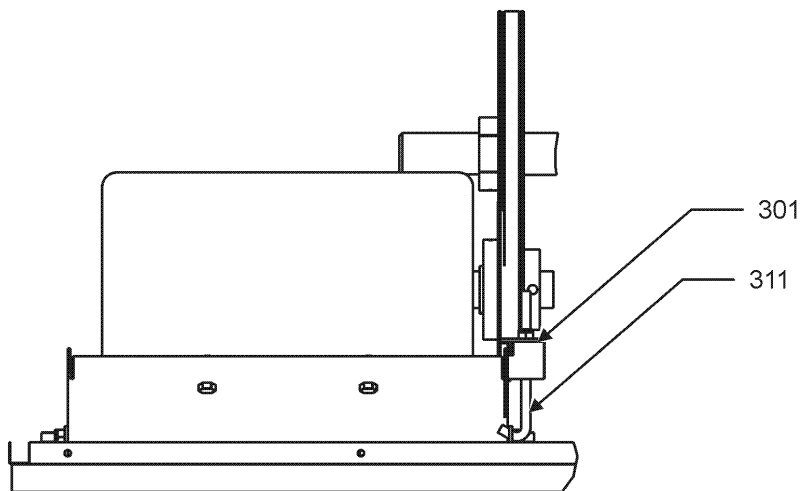
Expanded Model Nomenclature

M1 - DCC180XXX5BXXXAB
M2 - DCC180XXX6BXXXAA
M3 - DCC180XXX6BXXXAC
M4 - DCC240XXX5BXXXAB
M5 - DCC240XXX6BXXXAA
M6 - DCC240XXX6BXXXAB

BLOWER ASSEMBLY



MOTOR SIDE VIEW



BLOWER ASSEMBLY

Ref. Part No:	Ref. Part No:	Description:	Description:
---------------	---------------	--------------	--------------

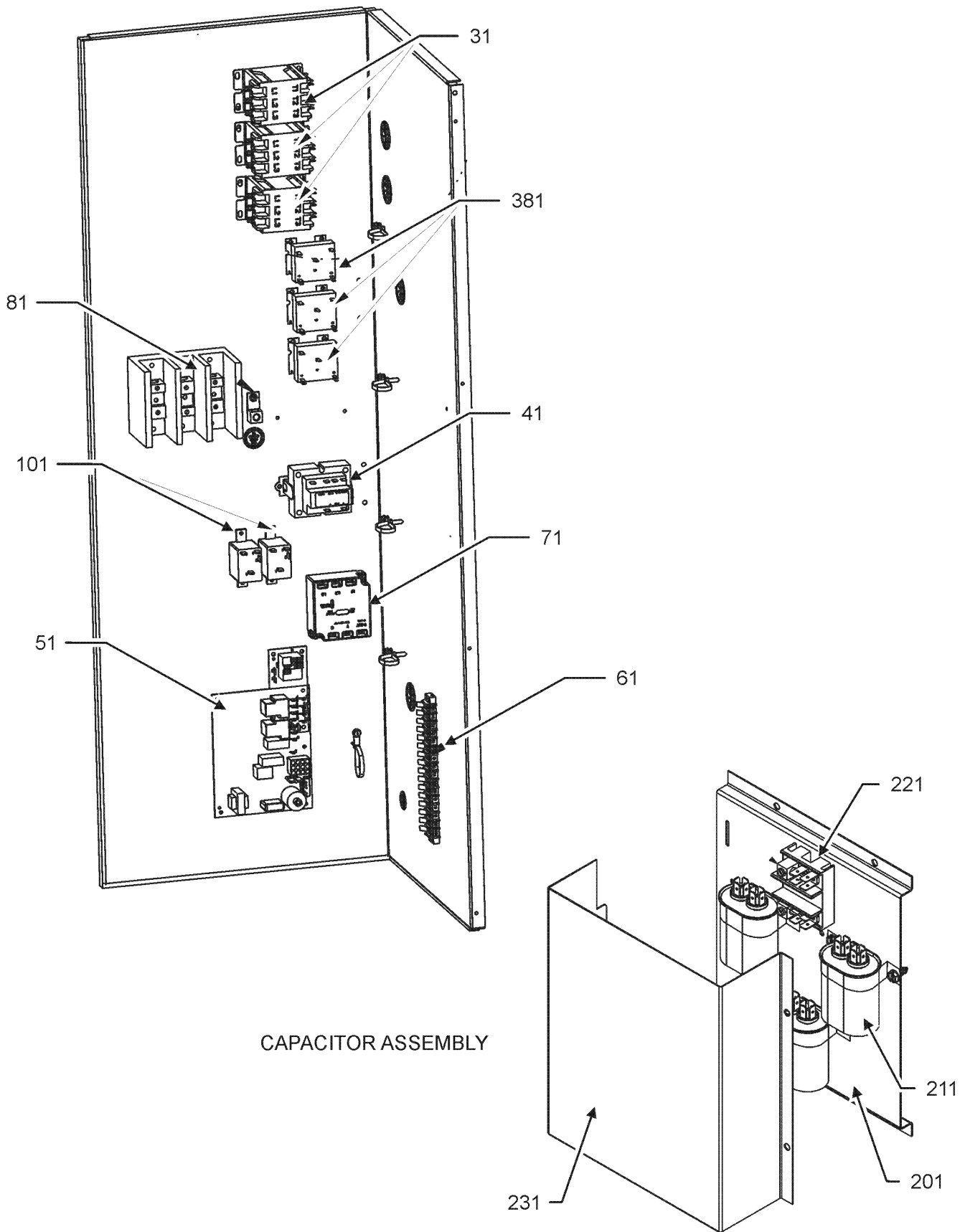
Image 1:

11	0131M00274	COND MOTOR 5.0 HP
31	0163L00035	VARIABLE PITCH SHEAVE (M2, M3)
31	0163L00037	VARIABLE PITCH SHEAVE (M1, M4, M5, M6)
41	0163L00139	SHEAVE, FIXED BK100H (M2, M3, M4, M5, M6)
41	0163L00140	SHEAVE, FIXED BK90H (M1)
51	0164L00006	FAN BELT, NOTCHED (M4, M5, M6)
51	0164L00004	FAN BELT-NOTCHED (M1, M2, M3)
61	0121L00555	MOTOR BASE PLATE (M2, M3)
71	0121L00482	BLOWER SIDE ANGLE (QTY 4)
81	0121L00479	BLOWER RAIL (M4, M5, M6)
81	0121L00654	BLOWER RAIL (M1, M2, M3)
91	0121L01429	BRACKET, DRIVE SCREW (M1, M4, M5, M6)
101	0163M00351	BOLT, 3/8-16-6 (M1, M4, M5, M6)
241	0271L00026	*150-12R BD 1.18 TWIN BLOWER (M1, M2, M3)
241	0271L00027	*150-15R BD 1.44 TWIN BLOWER (M4, M5, M6)
301	0121L00557	MOTOR ADJUST BRACKET (M2, M3)
311	0163L00034	HOOKED BOLT (M2, M3)

Expanded Model Nomenclature

M1 - DCC180XXX5BXXXAB
M2 - DCC180XXX6BXXXAA
M3 - DCC180XXX6BXXXAC
M4 - DCC240XXX5BXXXAB
M5 - DCC240XXX6BXXXAA
M6 - DCC240XXX6BXXXAB

CONTROL ASSEMBLY



CONTROL ASSEMBLY

Ref. Part No: No:	Description:	Ref. Part No: No:	Description:
-------------------	--------------	-------------------	--------------

Image 1:

31	CONT3P030024V	CONTACTOR 30 AMP, 3P, 24V (QTY 3)
41	0130M00081	TRANSFORMER 380V, 75VA, RESETT
51	PCBFM103	ELECTRONIC BLOWER TIME DELAY
61	0130M00038	TERMINAL BOARD
71	0130L00105	PHASE MONITOR (M6)
81	0130M00042	BLOCK, POWER
101	0130M00242	24V RELAY (QTY 2)
381	0130M00025	24V RELAY (QTY 2)
NS	0259L00118	CONDENSER FAN HARNESS, LONG
NS	0259L00117	CONDENSER FAN HARNESS, MEDIUM
NS	0259L00116	CONDENSER FAN HARNESS, SHORT
NS	0159L00052	HARNESS JUMPER LONG
NS	0259L00106	HARNESS, CONTROL AC
NS	0259L00164	HARNESS, ECONOMIZER AC
NS	0259L00107	HARNESS, E-HEAT
NS	0159L00051	HARNESS, JUMPER SHORT
NS	0259L00101	MOTOR HARNESS-BELT DRIVE
NS	0259L00427	WIRE HARNESS ASSY (M6)
NS	0259L00428	WIRE HARNESS ASSY (M6)

Image 2:

202	0121L00585	CAPACITOR MOUNTING PLATE
212	CAP075000370LAE	CAP, 7.5 MFD/370V/OVAL (M3)
212	CAP075000370LA	CAPACITOR 7.5/370V (M1, M2, M4, M5, M6)
222	B1368250	TERMINAL BLOCK (HIGH VOLTAGE)
232	0121L00586	CAPACITOR COVER
NS	20520901	CAPACITOR STRAP (QTY 3)

Expanded Model Nomenclature

M1 - DCC180XXX5BXXXAB
M2 - DCC180XXX6BXXXAA
M3 - DCC180XXX6BXXXAC
M4 - DCC240XXX5BXXXAB
M5 - DCC240XXX6BXXXAA
M6 - DCC240XXX6BXXXAB