
Commercial 20 Ton High Static 2-Speed Package Cooling Unit

DCC2400463WHMLBA

DCC240XXX4WXXXBA



This manual is to be used by qualified technicians only.

This manual replaces RP-D1224.

Important Information

Index

Functional Parts List	3
Illustration and Parts	4 - 19

Views shown are for parts illustrations only, not servicing procedures

Text Codes:

AR - As Required

NA - Not Available

NS - Not Shown

00000000 - See Note

QTY - Quantity Example (QTY 3) (If Quantity not shown, Quantity = 1)

M - Model Example (M1) (If M Code not shown, then part is used on all Models)

Expanded Model Nomenclature:

Example M1 - Model#1 M2 - Model#2 M3 - Model#3

Daikin Company, L.P. is not responsible for personal injury or property damage resulting from improper service. Review all service information before beginning repairs.

Warranty service must be performed by an authorized technician, using authorized factory parts. If service is required after the warranty expires, Daikin Company, L.P. also recommends contacting an authorized technician and using authorized factory parts.

Daikin Company, L.P. reserves the right to discontinue, or change at any time, specifications or designs without notice or without incurring obligations.

For assistance within the U.S.A. contact:

Equipment Support
Daikin North America, LLC
19001 Kermier Road
Waller, Texas 77484
855-770-5678-Telephone
713-863-2382-Facsimile

For assistance outside the U.S.A. contact:

International Division
Daikin North America, LLC
19001 Kermier Road
Waller, Texas 77484
713-861-2500-Telephone
713-863-2382-Facsimile

Functional Parts

Part

No: Description:

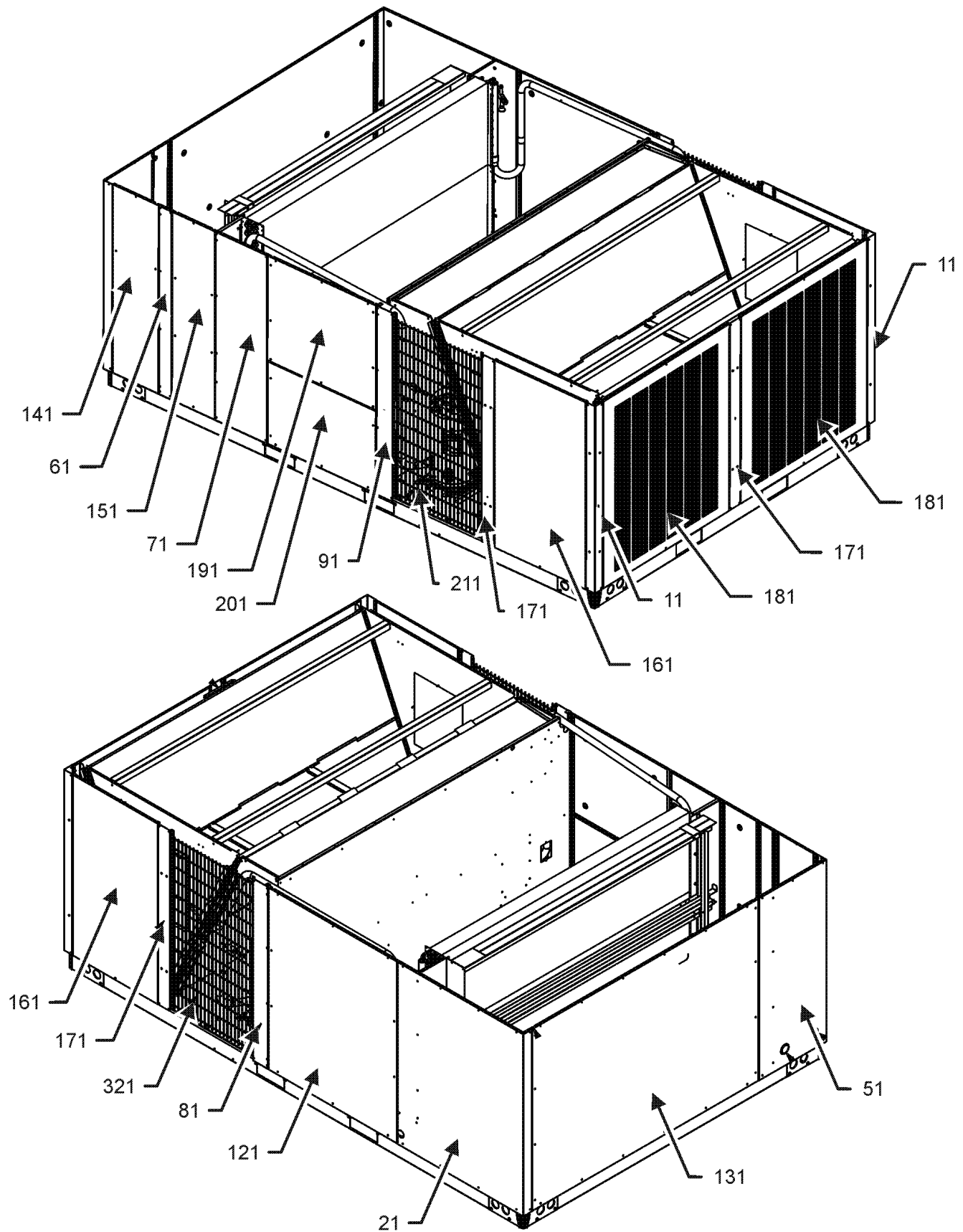
0271L00027	150-12R BD 1.18 TWIN BLOWER
0130M00242	24V RELAY (QTY 2)
0130M00025	24V RELAY (QTY 2)
CAP100000370LA	CAPACITOR 10/370V (QTY 3)
ZP122KCETFD155	COMP, 124000, 460/60/3 (M1)
ZP122KCETF5250	COMP, 124000, 200/230/60/3 (M2)
CONT3P030024V	CONTACTOR 30 AMP, 3P, 24V (QTY 2)
0130L00017	CRANK CASE HEATER-70W 240V (M2)
0130L00018	CRANK CASE HEATER-70W, 480V (M1)
0130M00074	CUT-OUT SWITCH, HIGH PRESSURE
0130M00087	CUT-OUT SWITCH, LOW PRESSURE
0164L00006	FAN BELT-NOTCHED
10625733	FAN BLADE 22" ALUM CCW (QTY 3)
0131M00774	MOTOR, 1/3 HP, OD (M1)
0131L00117	MOTOR, 7.5 H.P. (M2)
0131L00118	MOTOR, 7.5 HP (M1)
PCBFM103	PCB, TIME DELAY, EBTDR
10135604	RELAY (QTY 2)
0130M00038	TERMINAL BOARD
0130M00594	TRANSFORMER (M2)
0130M00595	TRANSFORMER, 75VA, 480V TO 24V (M1)

Expanded Model Nomenclature

M1 - DCC240XXX4WXXXBA

M2 - DCC2400463WHMLBA

Cabinet Assembly



Cabinet Assembly

Ref. Part No:	Part No:	Description:	Ref. Part No:	Part No:	Description:
---------------	----------	--------------	---------------	----------	--------------

Image 1:

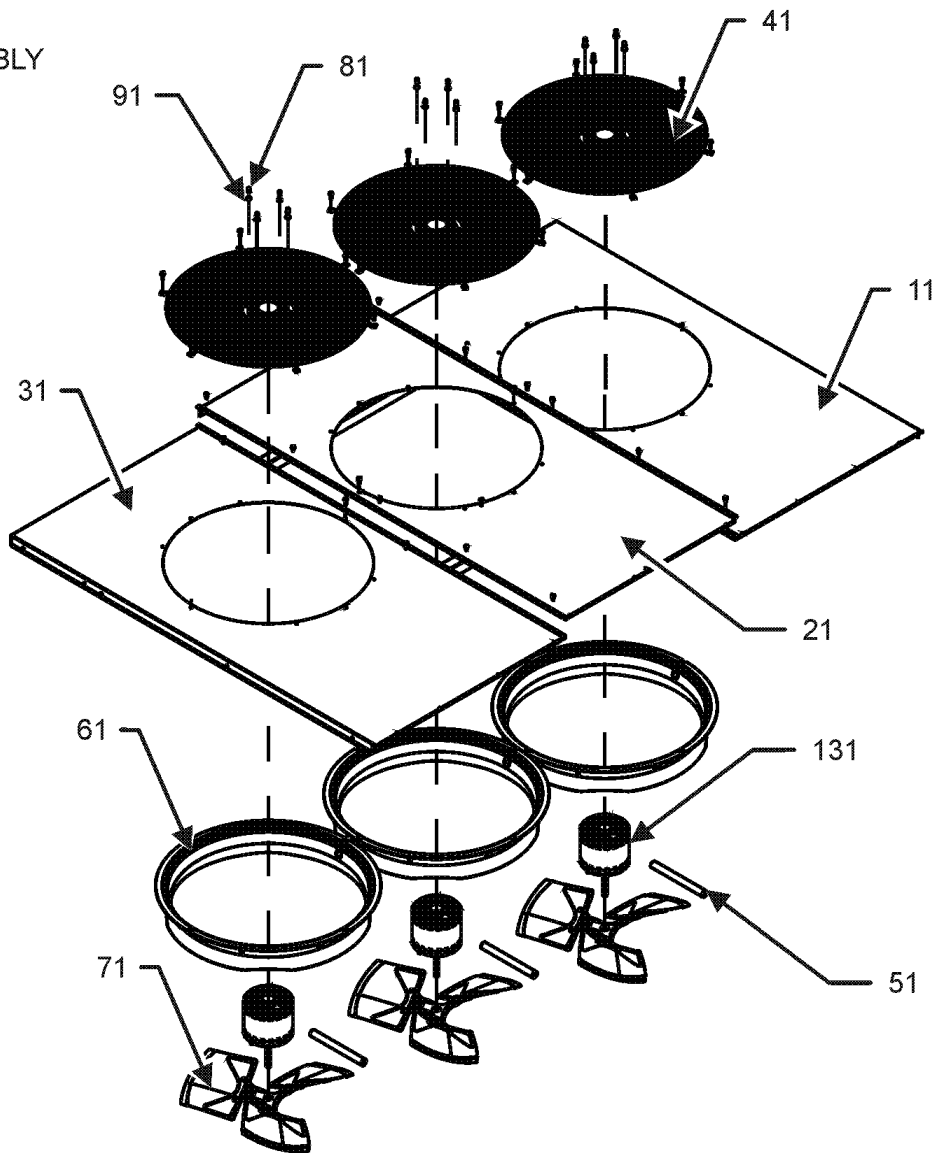
11	0121L01143NG	POST, CORNER (QTY 2)
21	0121L00681NG	PAINTED EVAP PANEL
51	0121L00679NG	CONTROL CORNER PANEL (M1)
51	0121L01473NG	PAINTED CONTROL CORNER (M2)
61	0121L02048NG	PNT, POST-CONTROL /FILTER
71	0121L01479NG	BLOWER DOOR POST (M2)
71	0121L00710NG	POST/BLOWER DOOR (M1)
81	0121L00903NG	POST PARTITION-EVAP SIDE
91	0121L01480NG	POST- PARTITION, (COOL) HT (M2)
91	0121L00906NG	POST-PARTITION, (COOL) HT (M1)
121	0121L00685NG	BLOWER DOOR-EVAP SIDE
131	0121L00688NG	ACCESSORY PANEL
141	0121L00687NG	CONTROL DOOR (M1)
141	0121L01603NG	CONTROL DOOR (M2)
151	0121L00686NG	FILTER DOOR (M1)
151	0121L01601NG	FILTER DOOR (M2)
161	0121L00907NG	PANEL-COND SIDE (QTY 2)
171	0121L01144NG	POST, COND PANEL (QTY 3)
181	0121L01174NG	PANEL, LOUVER END PNT (QTY 2)
191	0121L00713NG	BLOWER DOOR-GAS SIDE
201	0121L00708NG	DOOR-ELECTRIC HEAT
211	0152L00000	GRILLE-CONDENSER (QTY 2)
NS	M0204317	SCREW-MACHINE (QTY 16)
NS	0121L00476NG	TURNBUCKLE DOOR (QTY 16)

Expanded Model Nomenclature

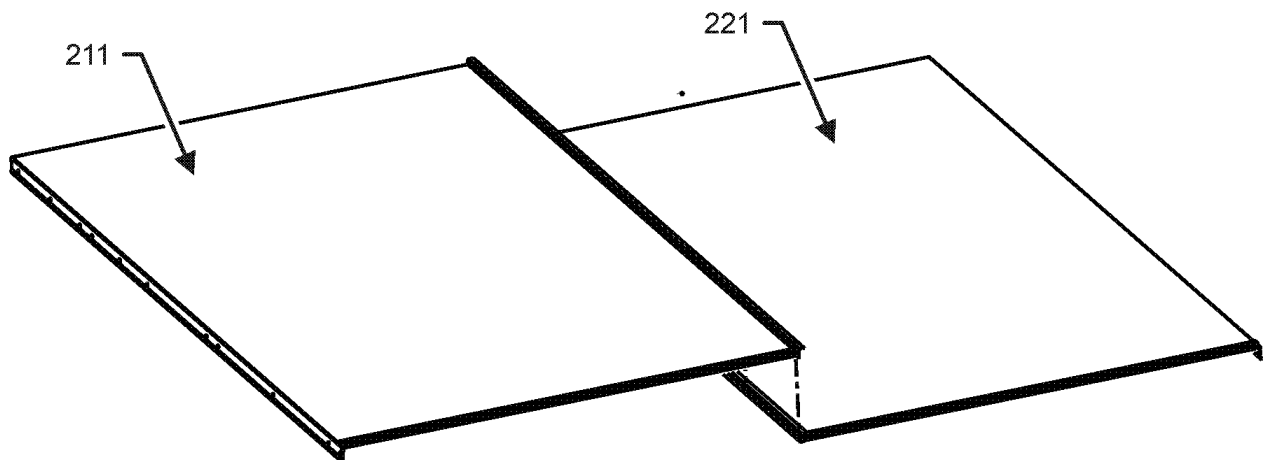
M1 - DCC240XXX4WXXXBA
M2 - DCC2400463WHMLBA

Top Panel Assembly

TOP PANEL OUTDOOR ASSEMBLY



TOP PANEL INDOOR ASSEMBLY



Top Panel Assembly

Ref. Part No:	No:	Description:	Ref. Part No:	No:	Description:
---------------	-----	--------------	---------------	-----	--------------

Image 1:

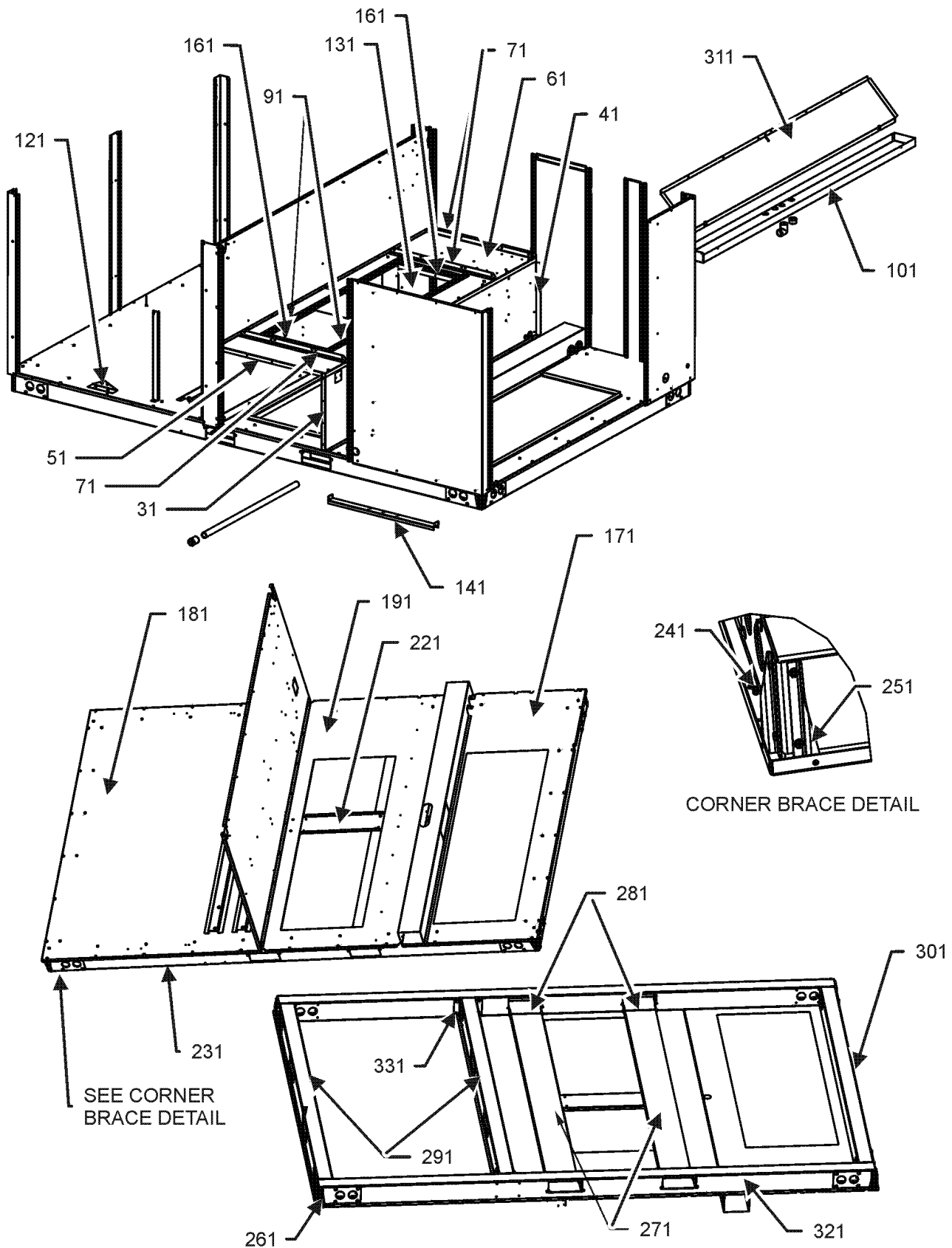
11	0121L01038NG	TOP-FAN,CONTROL SIDE
21	0121L01039NG	TOP-FAN, CENTER
31	0121L01040NG	TOP-FAN, EVAP SIDE
41	0152G00003	FAN GRILLE (QTY 3)
51	17788000083F	PVC CONDUIT 8.25" (QTY 3)
61	0161L00000	VENTURI RING 22" (QTY 3)
71	10625733	FAN BLADE 22" ALUM CCW (QTY 3)
81	0163M00006P	ACORN NUT 5/16 HEX BLACK (QTY 12)
91	0163M00005P	WASHER, BLACK (.50 OD .218ID) (QTY 12)
131	0131M00774	MOTOR, 1/3 HP, OD (M1)
131	0131L00064	MOTOR, COND, 1/3 HP, 208/230V (M2)
211	0121L00693NG	TOP-CONTROL SIDE
221	0121L00694NG	TOP PANEL ASSY
NS	0163M00004	SCREW #10X3/4", BLACK (QTY 24)
NS	0163M00005P	WASHER BLACK (.50 OD .218ID) (QTY 12)

Expanded Model Nomenclature

M1 - DCC240XXX4WXXXBA

M2 - DCC2400463WHMLBA

Partition Assembly



Partition Assembly

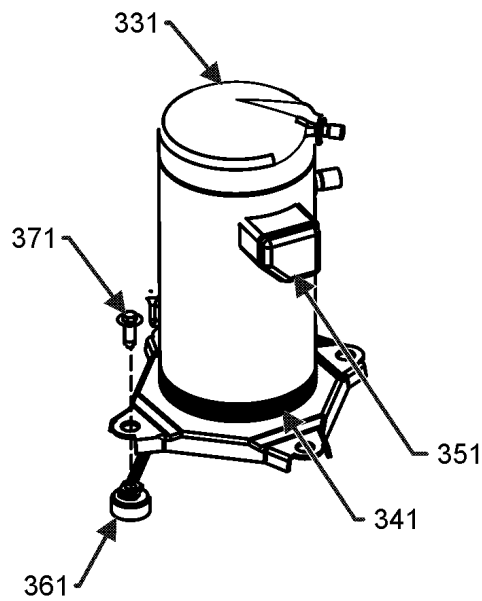
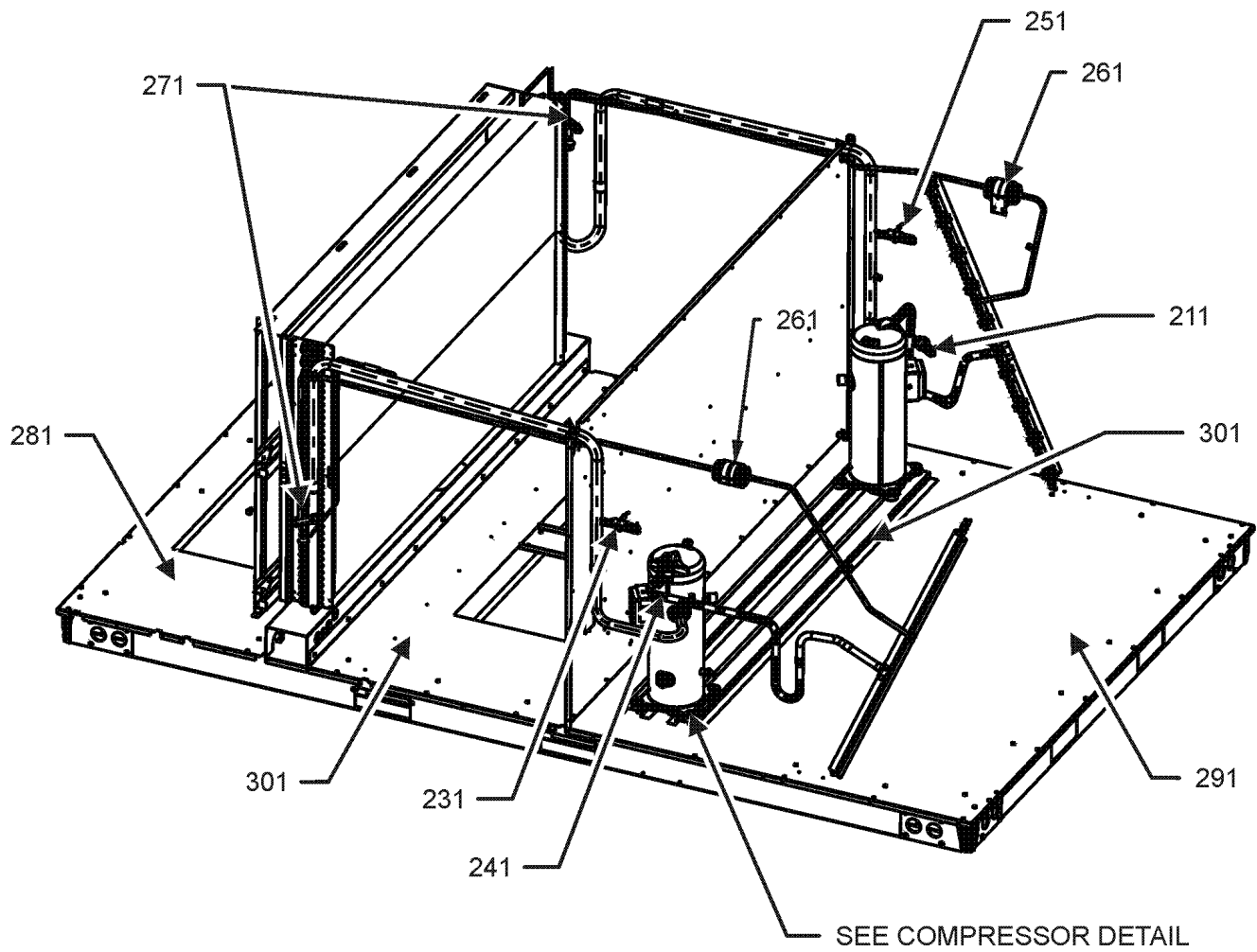
Ref. Part No:	Ref. Part No:	Description:	Description:
Image 1:			
31	0121L01163	DECK, SIDE DUCT END	
41	0121L01162	DECK, SIDE HEAT END	
51	0121L01160	BLOWER DECK, EVAP SIDE	
61	0121L01161	BLOWER DECK, MOTOR SIDE	
71	0121L01431	ANGLE, MOTOR MOUNT (QTY 3)	
91	0121L00478	BLOWER DECK RAIL (QTY 2)	
101	0121L01130	DRAIN PAN, EVAPORATOR	
121	0121L00913	BRACKET-COND/BASEPAN (QTY 2)	
131	0121L00591	ELECTRIC HEAT MOUNTING PLATE	
141	0121L00592	ELECTRIC HEAT SUPPORT	
161	0121L00481	BLOWER RAIL (QTY 2)	
171	0121L00947	BASEPAN, RETURN SIDE	
181	0121L00902	BASEPAN, OUTDOOR	
191	0121L00948	BASE PAN-SUPPLY	
221	0121L00605	FORK BOARD PLATE	
231	0121L00720	SIDE RAIL	
241	0121L00616	RAIL BRACE ANGLE, RIGHT (QTY 4)	
251	0121L00617	RAIL BRACE ANGLE, LEFT (QTY 4)	
261	0121L00723	BASE RAIL CORNER BRACE (QTY 4)	
271	0141L00029	FORK BOARD (QTY 2)	
281	0121L00724	FORK BOARD BRACKET (QTY 4)	
291	0121L00721	BASE RAIL, CONDENSER END (QTY 2)	
301	0121L00722	BASE RAIL, ACCESSORY END	
311	0121L01158	SHIELD, BLOWOFF	
321	0121L00719	CONTROL SIDE BASE RAIL	
331	0121L00625	COMPRESSOR RAIL BRACKET (QTY 4)	
NS	0121L00593	FLUE HOLE COVER	
NS	0164G00004	GROMMET-HORSESHOE 1.75 (QTY 2)	
NS	0121L00321	SMOKE DETECTOR COVER	

Expanded Model Nomenclature

M1 - DCC240XXX4WXXXBA

M2 - DCC2400463WHMLBA

Basepan / Compressor / Tubing Assembly



COMPRESSOR DETAIL

TUBING ASSEMBLY MAY DIFFER FROM WHAT IS SHOWN

FOR HOT GAS REHEAT TUBING ASSEMBLY SEE ACCESSORY PAGES

Basepan / Compressor / Tubing Assembly

Ref. Part No:	Ref. Part No:	Description:	Description:
Image 1:			
211	0130M00074	CUT-OUT SWITCH, HIGH PRESSURE	
231	0130M00087	CUT-OUT SWITCH, LOW PRESSURE	
241	0130M00074	CUT-OUT SWITCH, HIGH PRESSURE	
251	0130M00087	CUT-OUT SWITCH, LOW PRESSURE	
261	0151M00012	BI-FLOW FILTER DRIER	
271	0151L00011	VALVE, TXV R-410A (QTY 2)	
281	0270L00189	BASEPAN WELDMENT, RETURN SIDE	
291	0270L00336	BASEPAN WELD, OUTDOOR	
301	0121L00948	BASE PAN-SUPPLY	
321	0121L00647	MTG RAIL-COMPRESSOR (QTY 2)	
331	ZP122KCETFD155	COMP, 124000, 460/60/3 (M1)	
331	ZP122KCETF5250	COMP, 124000, 200/230/60/3 (M2)	
341	0130L00017	CRANK CASE HEATER-70W 240V (M2)	
341	0130L00018	CRANK CASE HEATER-70W, 480V (M1)	
351	0159L00072	Harness, comp scroll (M1)	
351	0159L00073	Harness, comp scroll (M1)	
351	0159L00048	HARNES-COMPRESSOR (M2)	
351	0159L00049	HARNES-COMPRESSOR (M2)	
361	0164M00018	COMPRESSOR GROMMET (QTY 8)	
371	B1393740	COMPRESSOR BOLT & SLEEVE (QTY 8)	
NS	0163M00175	CAP WITH O-RING (QTY 4)	

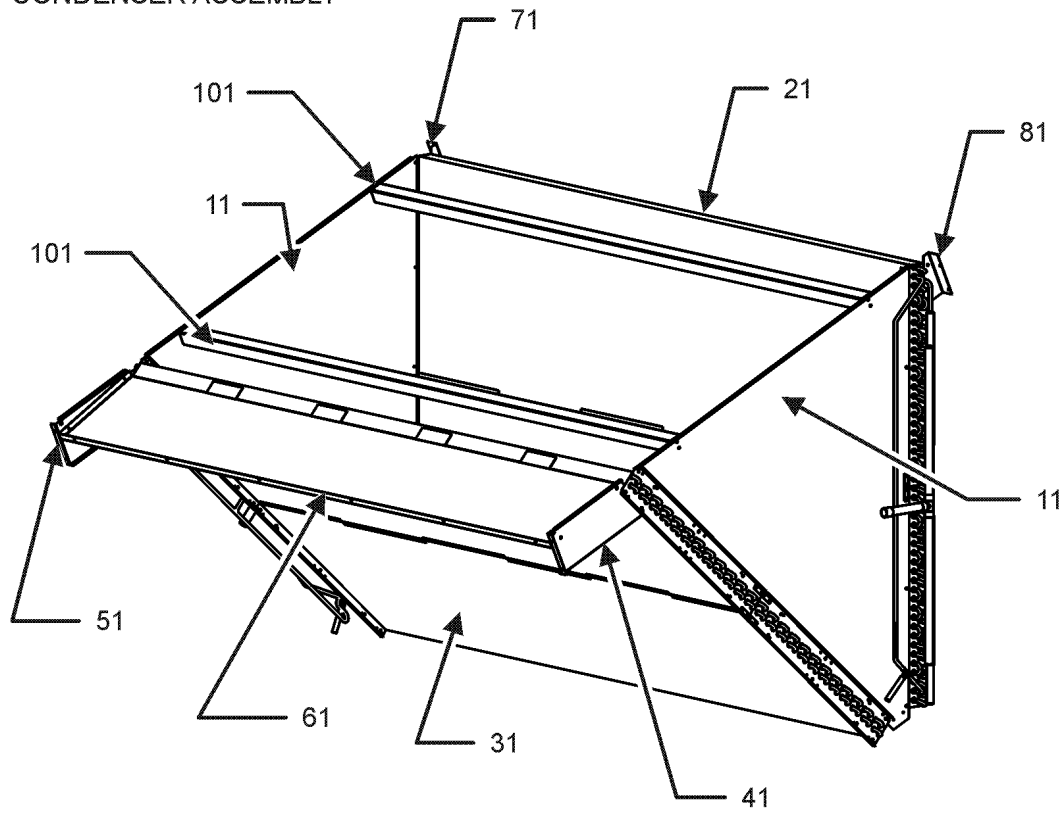
Expanded Model Nomenclature

M1 - DCC240XXX4WXXXBA

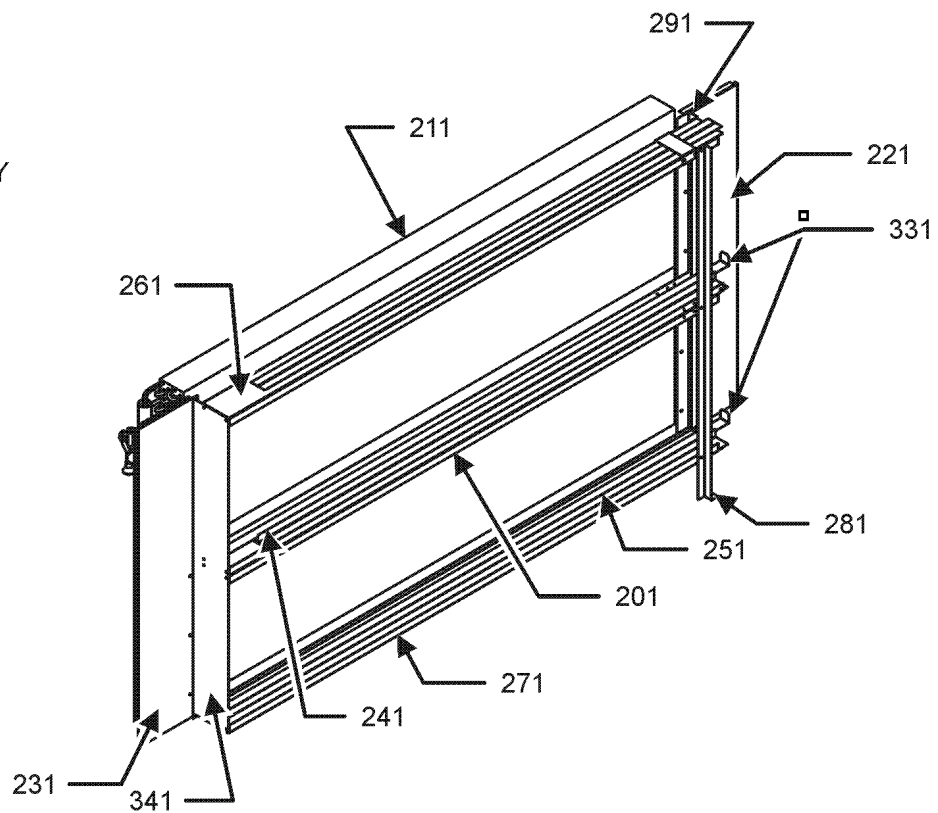
M2 - DCC2400463WHMLBA

Condenser and Evaporator Assembly

CONDENSER ASSEMBLY



EVAPORATOR ASSEMBLY



Condenser and Evaporator Assembly

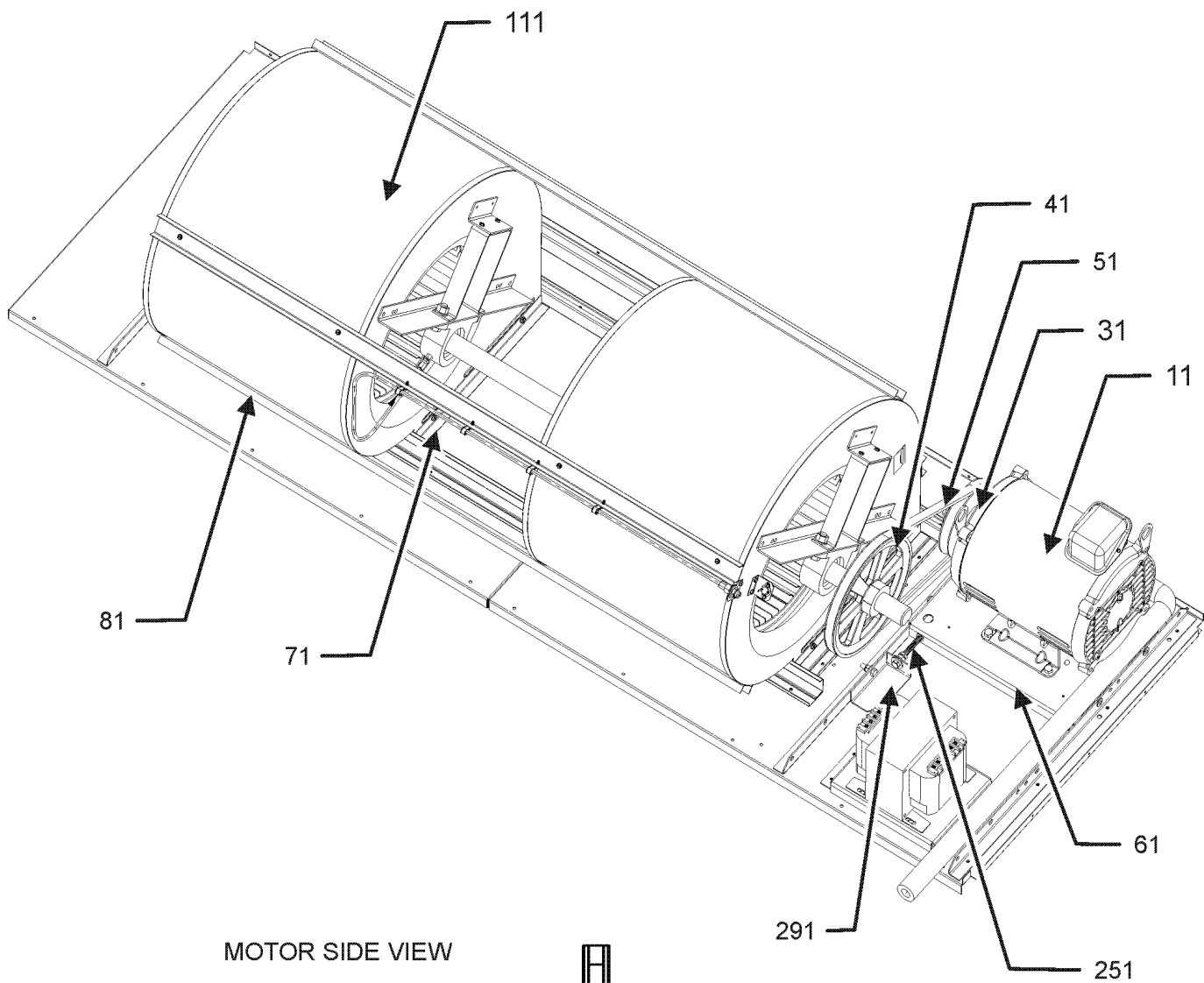
Ref. Part No:	Ref. Part No:	Description:	Description:
Image 1:			
11	0121L00854	END COVER-CONDENSER (QTY 2)	
21	0201L00151	CONDENSER COIL ASSY C1	
31	0201L00152	CONDENSER COIL ASSY C2	
41	0121L01154	BRACKET, CONDENSER END C1	
51	0121L01156	BRACKET, CONDENSER END C2	
61	0121L00572	CONDENSER BLOCKOFF, INSIDE TOP	
71	0121L01153	BRACKET, COND/POST C2	
81	0121L01155	BRACKET, COND/POST C1	
101	0121L01037	ANGLE, TOP BRACE (QTY 2)	
201	0270L00658	CENTER FILTER RACK	
211	0202L00047	EVAPORATOR COIL ASSY (QTY 2)	
221	0121L00698	EVAPORATOR BLOCKOFF PANEL	
231	0121L00848	PANEL-EVAPORATOR, SMOKE DET	
241	0121L01178	ANGELED FILTER SLIDER (QTY 4)	
251	0121L00703	BLOCKOFF - BOTTOM	
261	0121L01180	TOP FILTER RACK	
271	0121L01179	BOTTOM FILTER RACK	
281	0121L00632	FILTER SUPPORT ANGLE	
291	0121L01508	RIGHT SIDE BLOCKOFF, FILTER RACK	
331	0121L00640	FILTER PULL (QTY 2)	
341	0121L00933	ANGLE-FILTER, LEFT VERTICAL	
NS	0160L00137	Air Filter 20x25x2 (QTY 6)	
NS	0121L00703	BOTTOM BLOCKOFF, FILTER RACK	

Expanded Model Nomenclature

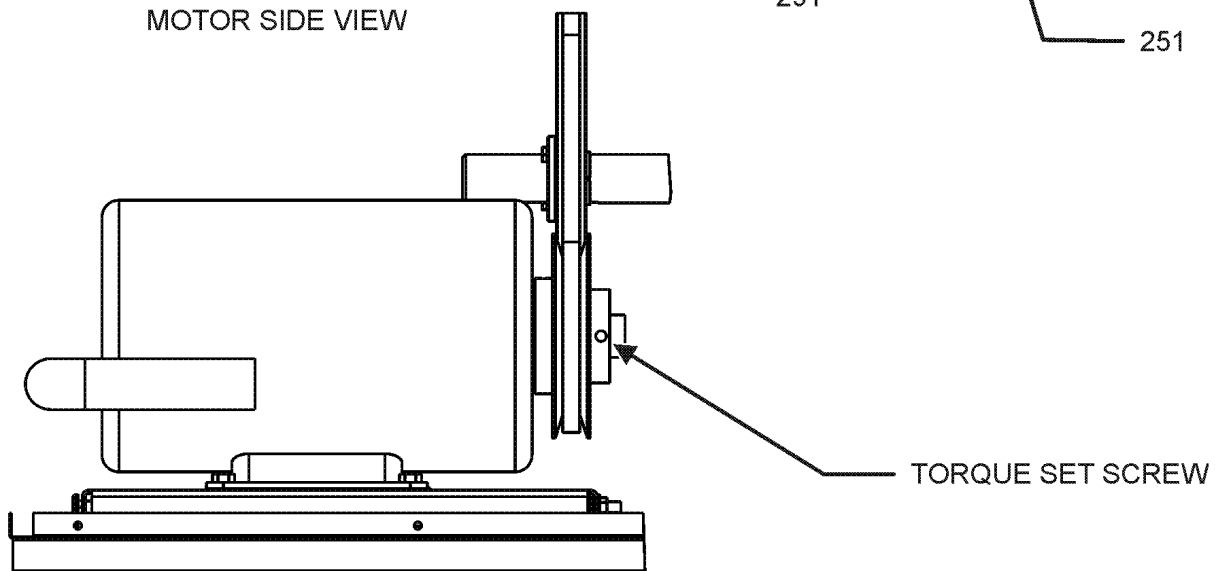
M1 - DCC240XXX4WXXXBA

M2 - DCC2400463WHMLBA

Blower Assembly



MOTOR SIDE VIEW



Blower Assembly

Ref. Part No:	No:	Description:	Ref. Part No:	No:	Description:
---------------	-----	--------------	---------------	-----	--------------

Image 1:

11	0131L00117	MOTOR, 7.5 H.P. (M2)
11	0131L00118	MOTOR, 7.5 HP (M1)
31	0163L00052	SHEAVE-VARIABLE PITCH
41	0163L00151	SHEAVE, FIXED BK85H
51	0164L00006	FAN BELT-NOTCHED
61	0121L01430	MOTOR BASE
71	0121L00482	BLOWER SIDE ANGLE (QTY 4)
81	0121L00479	BLOWER RAIL (QTY 2)
111	0271L00027	150-12R BD 1.18 TWIN BLOWER
251	0163M00351	BOLT, 3/8-16-6
291	0121L01429	BRACKET, DRIVE SCREW
NS	0163M00352	3/8-16 JAM NUT
NS	0163M00084	HEX LOCKNUT, NYLON INSERT
NS	0163M00085	WASHER (QTY 4)
NS	B1392923	WASHER / FLAT (QTY 3)

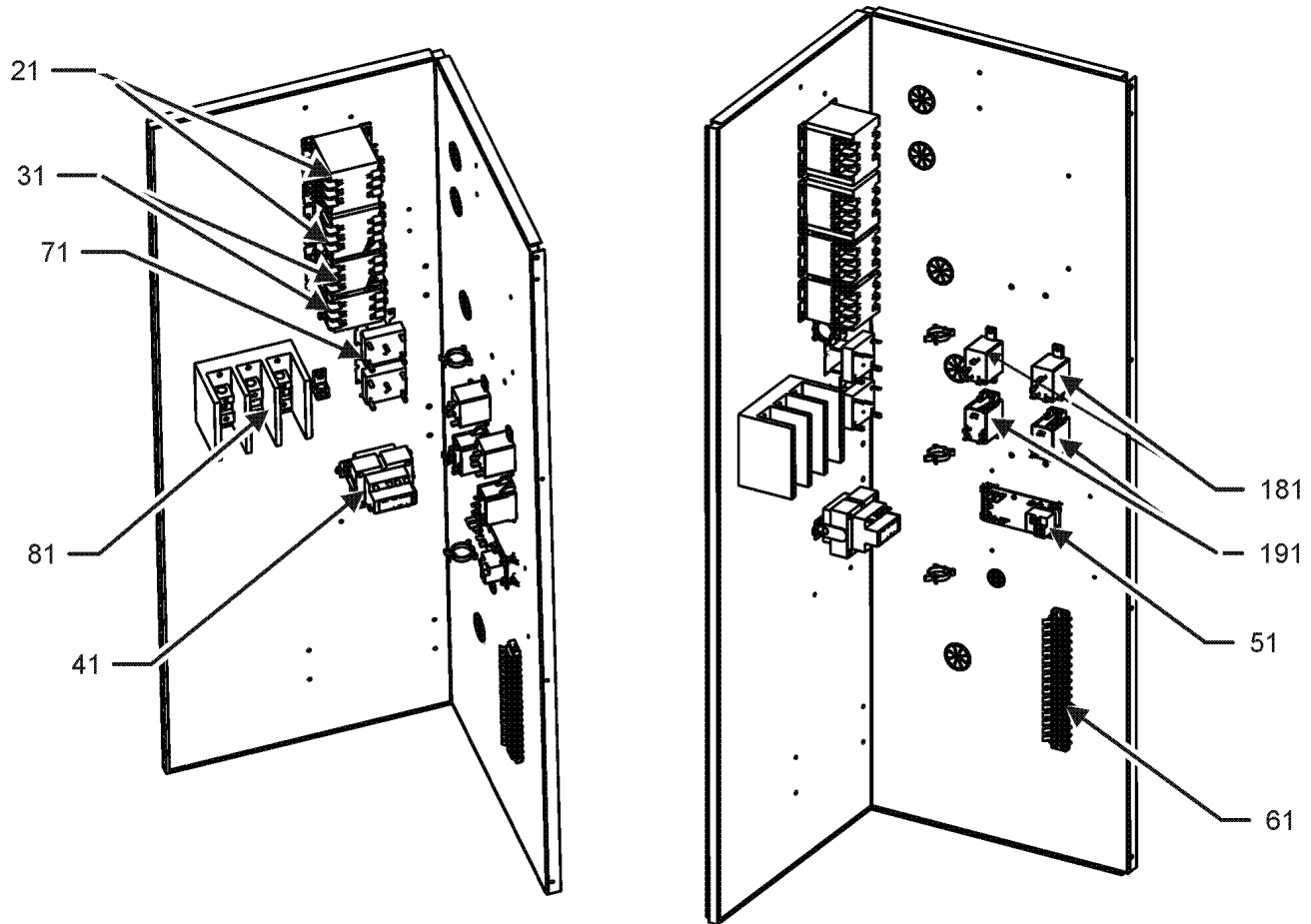
Expanded Model Nomenclature

M1 - DCC240XXX4WXXXBA

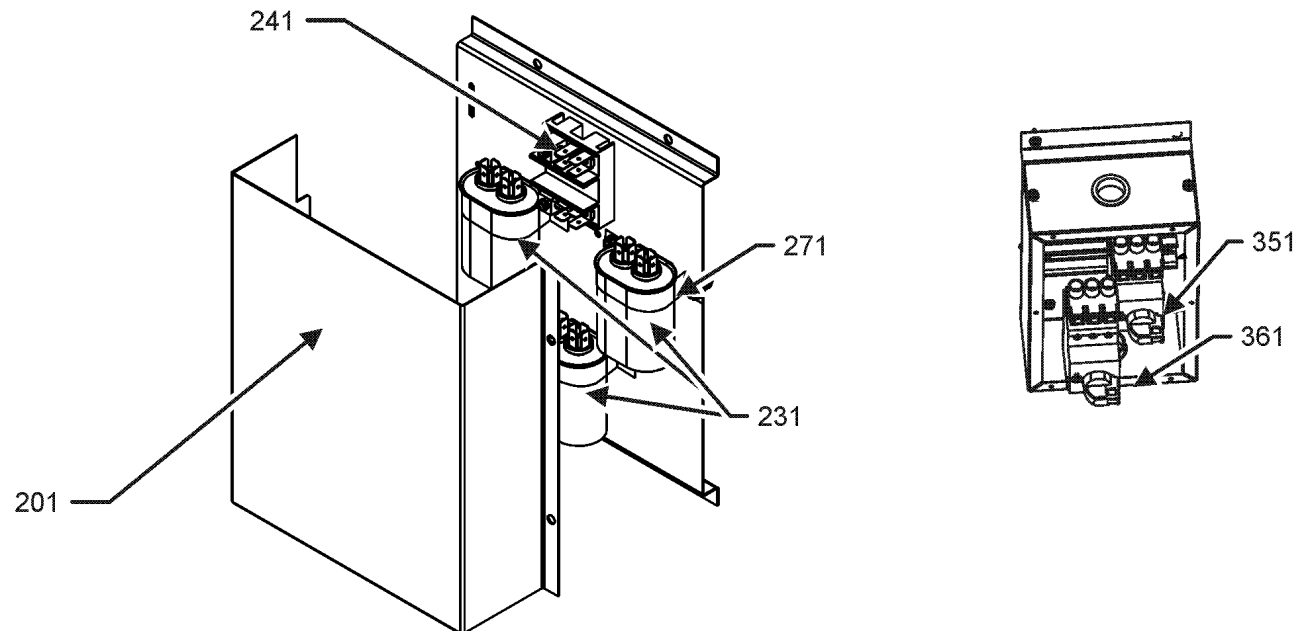
M2 - DCC2400463WHMLBA

Control Panel Assembly

CONTROL PANEL ASSEMBLY



CAPACITOR ASSEMBLY



Control Panel Assembly

Ref. Part No:	Ref. Part No:	Description:	Description:
---------------	---------------	--------------	--------------

Image 1:

21	CONT3P030024V	CONT, 3 POLE, 30 AMP, 24 VAC (QTY 2)
31	CONT3P030024V	CONT, 3 POLE, 30 AMP, 24 VAC (QTY 2)
41	0130M00594	TRANSFORMER (M2)
41	0130M00595	TRANSFORMER, 75VA, 480V TO 24V (M1)
51	PCBFM103	PCB, TIME DELAY, EBTDR
61	0130M00038	TERMINAL BOARD
81	0130M00042	BLOCK, DISTRIB. 7.5-25 TON
171	0130M00025	24V RELAY (QTY 2)
181	0130M00242	24V RELAY (QTY 2)
191	10135604	RELAY (QTY 2)
201	0121L00586	CAPACITOR COVER
231	CAP100000370LA	CAPACITOR 10/370V (QTY 3)
241	B1368250	TERMINAL BLOCK (HIGH VOLTAGE)
271	20520901	CAPACITOR STRAP (QTY 3)
351	0130L00084	ROTARY MANUAL MOTOR PROTECTOR (M1)
351	0130L00085	ROTARY MANUAL MOTOR PROTECTOR (M2)
361	0130L00083	ROTARY MANUAL MOTOR PROTECTOR (M1)
361	0130L00086	ROTARY MANUAL MOTOR PROTECTOR (M2)
NS	0259L00185	BLOWER RELAY HARNESS
NS	0259L00186	BLOWER RELAY HARNESS
NS	0259L00190	CIRCUIT BREAKER HARNESS
NS	0259L00118	CONDENSER FAN HARNESS, LONG
NS	0259L00117	CONDENSER FAN HARNESS, MEDIUM
NS	0259L00116	CONDENSER FAN HARNESS, SHORT
NS	0259L00183	CRANK CASE HEATER WIRE HARNESS
NS	0159L00052	HARNESS JUMPER LONG
NS	0259L00164	HARNESS, ECONOMIZER AC
NS	0259L00107	HARNESS, E-HEAT
NS	0159L00051	HARNESS, JUMPER SHORT
NS	0259L00181	HARNESS-BELT DRIVE 2 SP MOTOR
NS	0259L00187	ISO RELAY HARNESS
NS	0130L00105	PHASE MONITOR (M2)
NS	0259L00170	TERMINAL BOARD HARNESS
NS	0259L00171	TRANSFORMER HARNESS
NS	0259L00184	TRANSFORMER HARNESS
NS	0259L00428	WIRE ASSY (M2)
NS	0259L00447	WIRE ASSY (M2)
NS	0259L00169	WIRE HARNESS ASSY
NS	0259L00175	WIRE HARNESS ASSY
NS	0259L00176	WIRE HARNESS ASSY

Expanded Model Nomenclature

M1 - DCC240XXX4WXXXBA

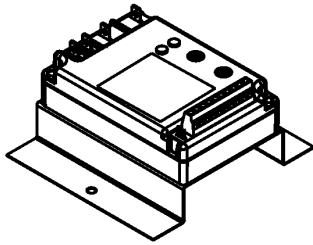
M2 - DCC2400463WHMLBA

Accessory Parts

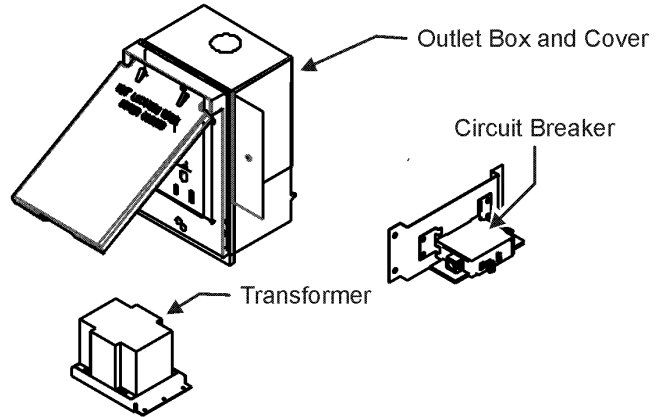
ACCESSORY PARTS LIST

NOTE: NOT ALL OPTIONS AVAILABLE FOR ALL PRODUCTS

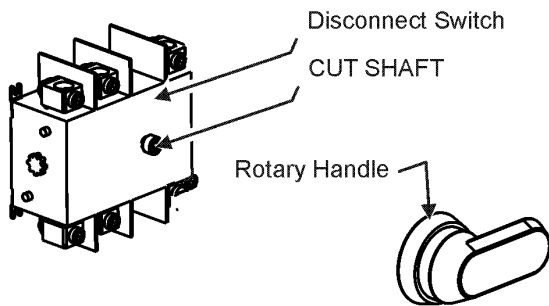
1 LOW AMBIENT KITS



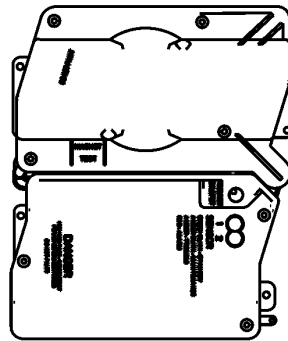
2 GFCI CONVENIENCE OUTLET



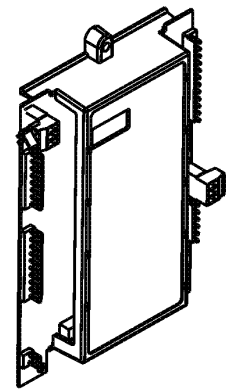
3 DISCONNECT MODULE (NON-FUSED)



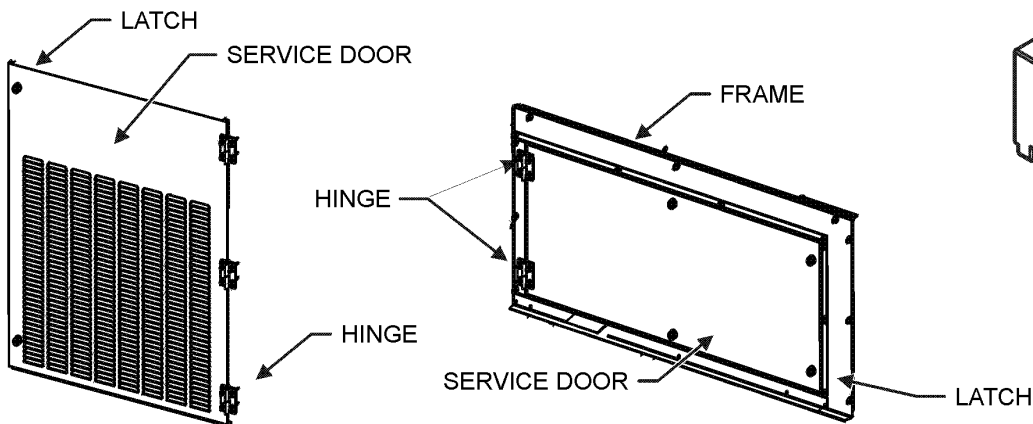
4 SMOKE DETECTORS



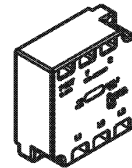
5 DDC CONTROL



6 HINGED DOOR ASSEMBLIES



7 PHASE MONITOR



Accessory Parts

Ref. Part No:	Part No:	Description:	Ref. Part No:	Part No:	Description:
Image 1:					
NS	0121L00316	BRACKET-CONV OUTLET MOUNT (M2)			
NS	0121L00855	BRACKET-DISCONNECT SWITCH (M2)			
NS	0121L01053	BRACKET-SMOKE DETECTOR (M2)			
NS	0121L01603NG	CONTROL DOOR (M2)			
NS	0121L00839NG	DISCONNECT COVER (M2)			
NS	0121L01601NG	FILTER DOOR (M2)			
NS	0130L00012	GANG BOX-GFCI OUTLET (M2)			
NS	0130L00039	HANDLE, ROTARY (M2)			
NS	0163M00307	HINGE, LEFT HAND (M2)			
NS	0163M00360	LATCH (M2)			
NS	0130M00059	LOW AMBIENT KIT (M2)			
NS	0121L01486NG	PNT, SERVICE DOOR BACK BLOWER (M2)			
NS	0121L01484NG	PNT, SERVICE DOOR FRAME BLOWER (M2)			
NS	0121L01485NG	PNT, SERVICE DOOR FRONT BLOWER (M2)			
NS	0161G00012	POWER OUTLET BOX (M2)			
NS	0130L00103	RECEPTACLE-GFCI OUTLET (M2)			
NS	0130L00043	SHAFT, CUT (M2)			
NS	0130L00049	SHAFT, DISCONNECT (M2)			
NS	D4120	SMOKE DETECTOR, PHOTO 4WIRE (M2)			
NS	D4S	SMOKE DETECTOR, SENSOR ONLY (M2)			
NS	0130L00033	SWITCH-DISCONNECT 200A (M2)			

Expanded Model Nomenclature

M1 - DCC240XXX4WXXXBA

M2 - DCC2400463WHMLBA