

Commercial 20 Ton Package Cooling Units

DCC2400604BHXAAC
DCC240XXX3BXXXAC
DCC240XXX4BXXXAD
DCC240XXX4BXXZAC



This manual is to be used by qualified technicians only.

This manual replaces RP-D1169A.

© 2017 - 2018 **DAIKIN COMPANY, L.P.** ♦ 5151 San Felipe St., Suite 500 ♦ Houston, TX 77056

Important Information

Index

Functional Parts List	3
Illustration and Parts	4 - 19

Views shown are for parts illustrations only, not servicing procedures

Text Codes:

AR - As Required

NA - Not Available

NS - Not Shown

00000000 - See Note

QTY - Quantity Example (QTY 3) (If Quantity not shown, Quantity = 1)

M - Model Example (M1) (If M Code not shown, then part is used on all Models)

Expanded Model Nomenclature:

Example M1 - Model#1 M2 - Model#2 M3 - Model#3

Daikin Company, L.P. is not responsible for personal injury or property damage resulting from improper service. Review all service information before beginning repairs.

Warranty service must be performed by an authorized technician, using authorized factory parts. If service is required after the warranty expires, Daikin Company, L.P. also recommends contacting an authorized technician and using authorized factory parts.

Daikin Company, L.P. reserves the right to discontinue, or change at any time, specifications or designs without notice or without incurring obligations.

For assistance within the U.S.A. contact:

Equipment Support
Daikin North America, LLC
19001 Kermier Road
Waller, Texas 77484
855-770-5678-Telephone
713-863-2382-Facsimile

For assistance outside the U.S.A. contact:

International Division
Daikin North America, LLC
19001 Kermier Road
Waller, Texas 77484
713-861-2500-Telephone
713-863-2382-Facsimile

Functional Parts

Part

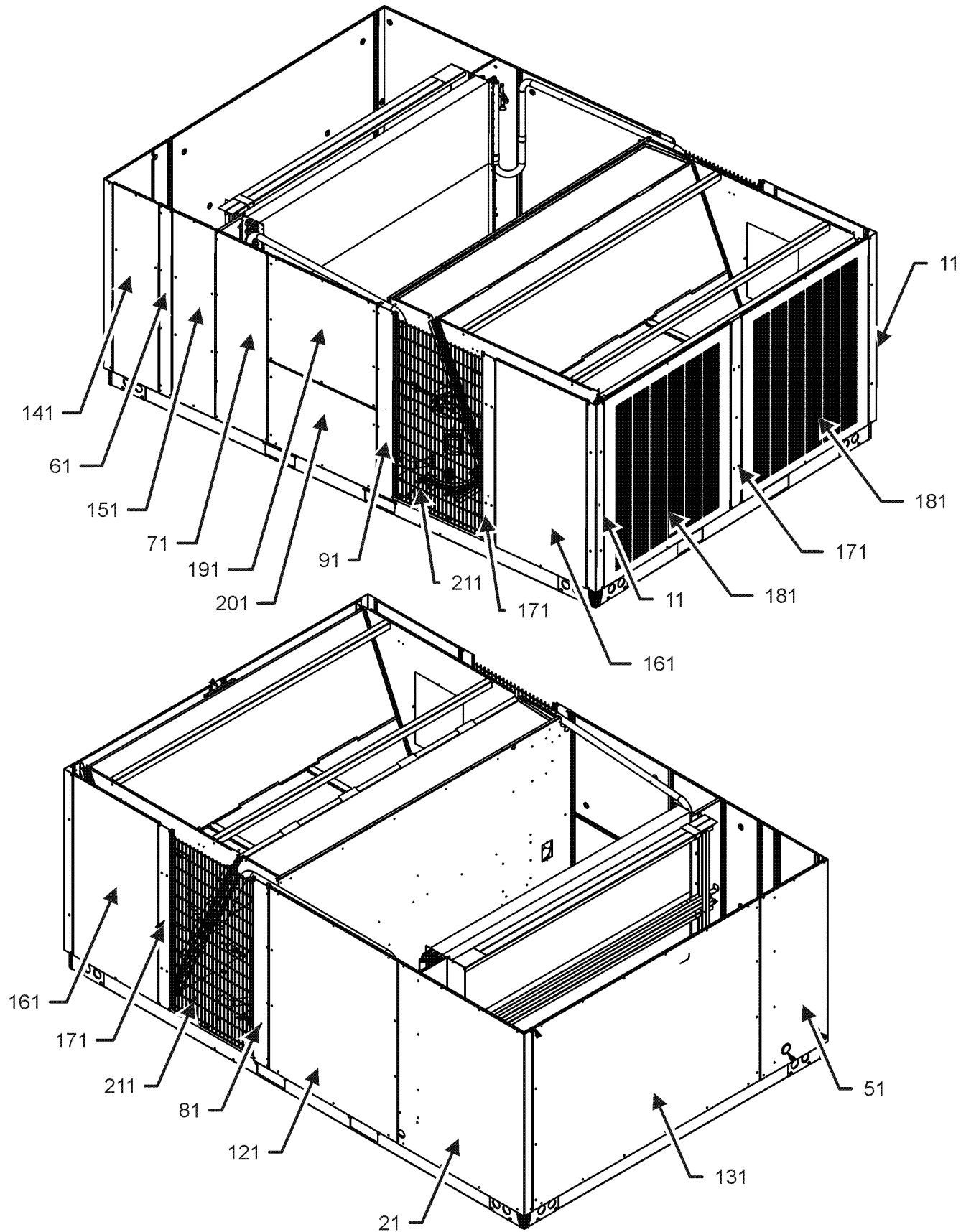
No: Description:

0271L00027	150-15R BD 1.44 TWIN BLOWER
0130M00025	24V RELAY (QTY 2)
0130M00042	BLOCK, POWER
CAP100000370LA	CAPACITOR 10/370V (QTY 3)
ZP122KCETFD155	COMP, 124000, 460/60/3 (M2, M3, M4)
ZP122KCETF5250	COMP, 124000, 200/230/60/3 (M1)
0131M00430	COND MOTOR 1/3 HP, 1 SP, 6 PL (M1)
0131M00274	COND MOTOR 5.0 HP
CONT3P030024V	CONTACTOR 30 AMP, 3P, 24V
CONT3P050024V	CONTACTOR 50 AMP, 3P, 24V (M1)
0130L00017	CRANK CASE HEATER-70W 240V (M1)
0130L00018	CRANK CASE HEATER-70W, 480V (M2, M3, M4)
0130M00074	CUT-OUT SWITCH, HIGH PRESSURE (QTY 2)
0130M00087	CUT-OUT SWITCH, LOW PRESSURE (QTY 2)
PCBFM103	ELECTRONIC BLOWER TIME DELAY
0164L00006	FAN BELT, NOTCHED
10625733	FAN BLADE 22" ALUM CCW (QTY 3)
0131M00774	MOTOR, 1/3 HP, OD (M2, M3, M4)
0130M00242	RELAY, 24V (QTY 2)
0130M00038	TERMINAL BOARD
0130M00144	TRANSFORMER (M1)
0130M00145	TRANSFORMER 480V to 24V, 75VA (M2, M3, M4)

Expanded Model Nomenclature

M1 - DCC240XXX3BXXXAC
M2 - DCC240XXX4BXXXAD
M3 - DCC240XXX4BXXZAC
M4 - DCC2400604BHXAAC

Cabinet Assembly



Cabinet Assembly

Ref. Part No: No:	Description:	Ref. Part No: No:	Description:
-------------------	--------------	-------------------	--------------

Image 1:

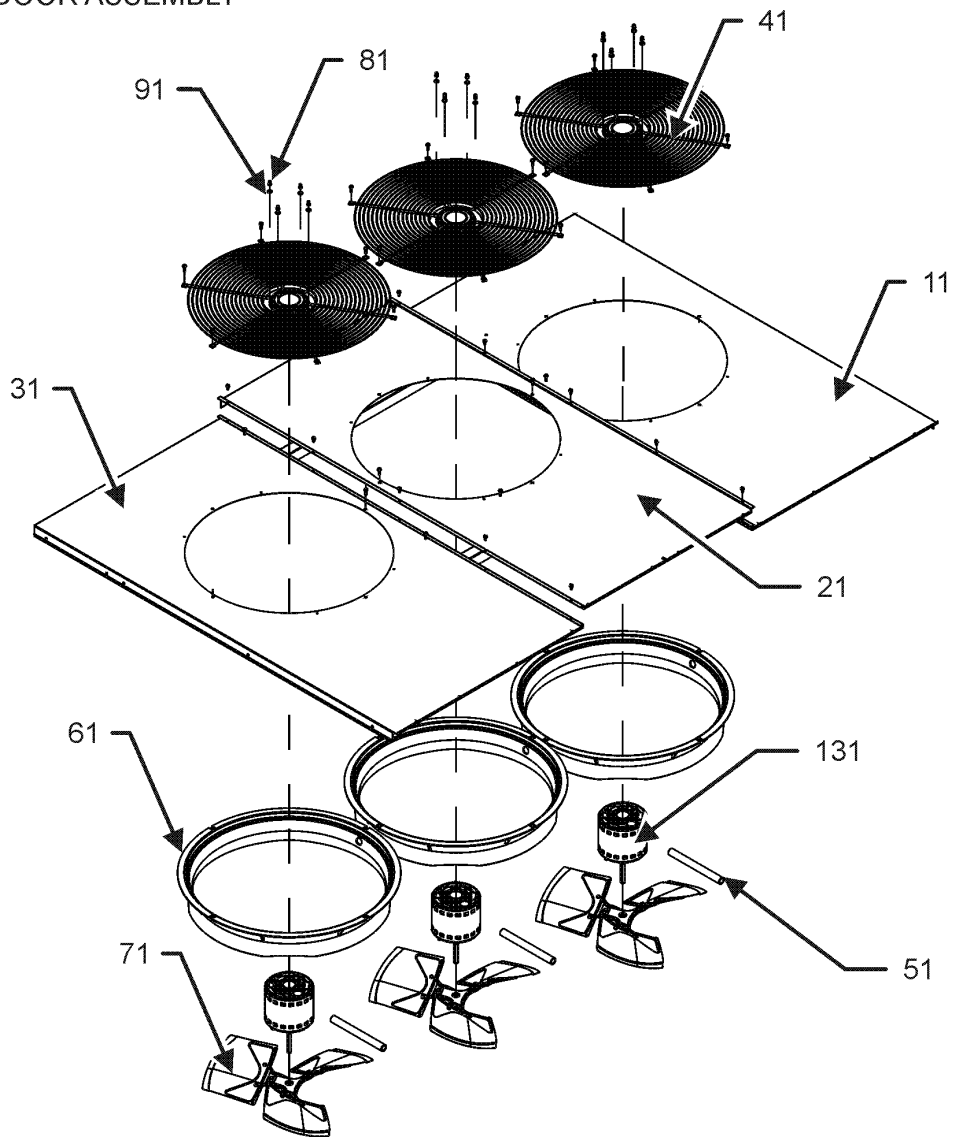
11	0121L01143NG	POST, CORNER (QTY 2)
21	0121L00681NG	PAINTED EVAP PANEL
51	0121L00679NG	CONTROL CORNER PANEL (M1, M2, M3)
51	0121L00800NG	DUCT PANEL (M4)
61	0121L02048NG	PNT, POST-CONTROL /FILTER
71	0121L00710NG	POST/BLOWER DOOR
81	0121L00903NG	POST PARTITION-EVAP SIDE
91	0121L00906NG	POST-PARTITION, (COOL) HT
121	0121L00685NG	BLOWER DOOR-EVAP SIDE
131	0121L00688NG	ACCESSORY PANEL
141	0121L00687NG	CONTROL DOOR
151	0121L00686NG	FILTER DOOR
161	0121L00907NG	PANEL-COND SIDE (QTY 2)
171	0121L01144NG	POST, COND PANEL (QTY 3)
181	0121L01174NG	PANEL, LOUVER END PNT (QTY 2)
191	0121L00713NG	BLOWER DOOR-GAS SIDE
201	0121L00708NG	DOOR-ELECTRIC HEAT
211	0152L00000	GRILLE-CONDENSER (QTY 2)
NS	M0204317	SCREW-MACHINE (QTY 16)
NS	0121L00476NG	TURNBUCKLE DOOR (QTY 16)

Expanded Model Nomenclature

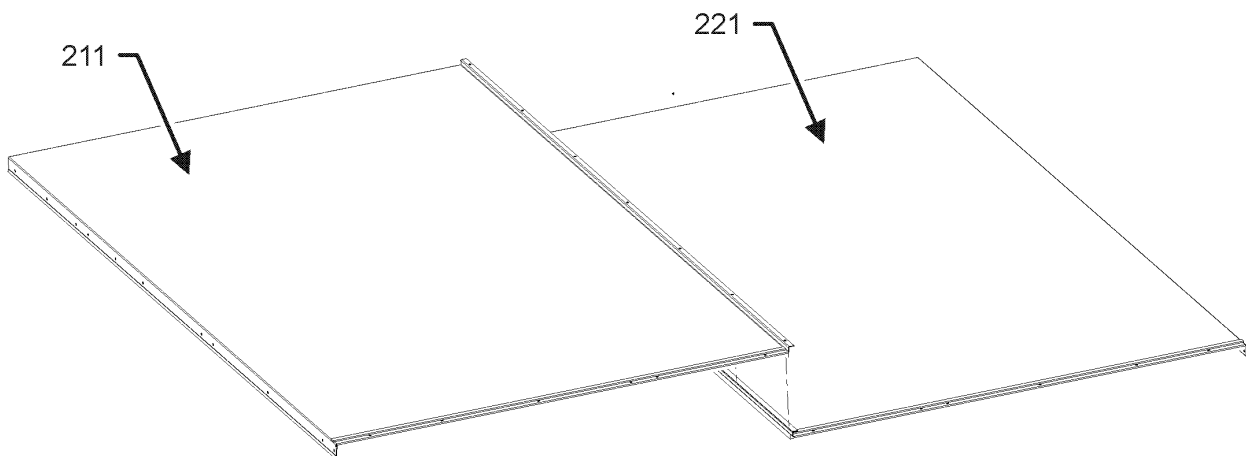
M1 - DCC240XXX3BXXXAC
M2 - DCC240XXX4BXXXAD
M3 - DCC240XXX4BXXZAC
M4 - DCC2400604BHXAAC

Top Panel Assembly

TOP PANEL OUTDOOR ASSEMBLY



TOP PANEL INDOOR ASSEMBLY



Top Panel Assembly

Ref. Part No: No:	Description:	Ref. Part No: No:	Description:
-------------------	--------------	-------------------	--------------

Image 1:

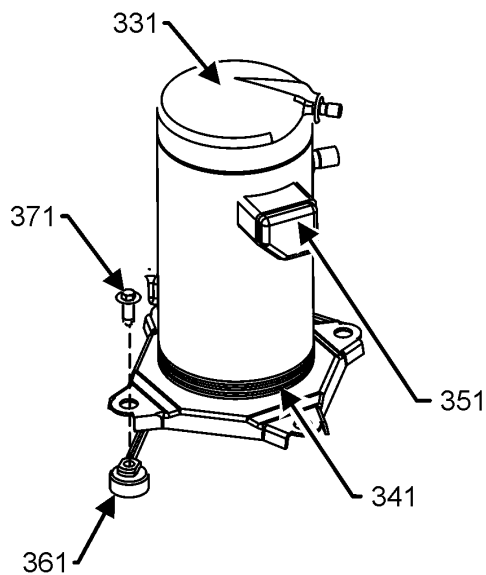
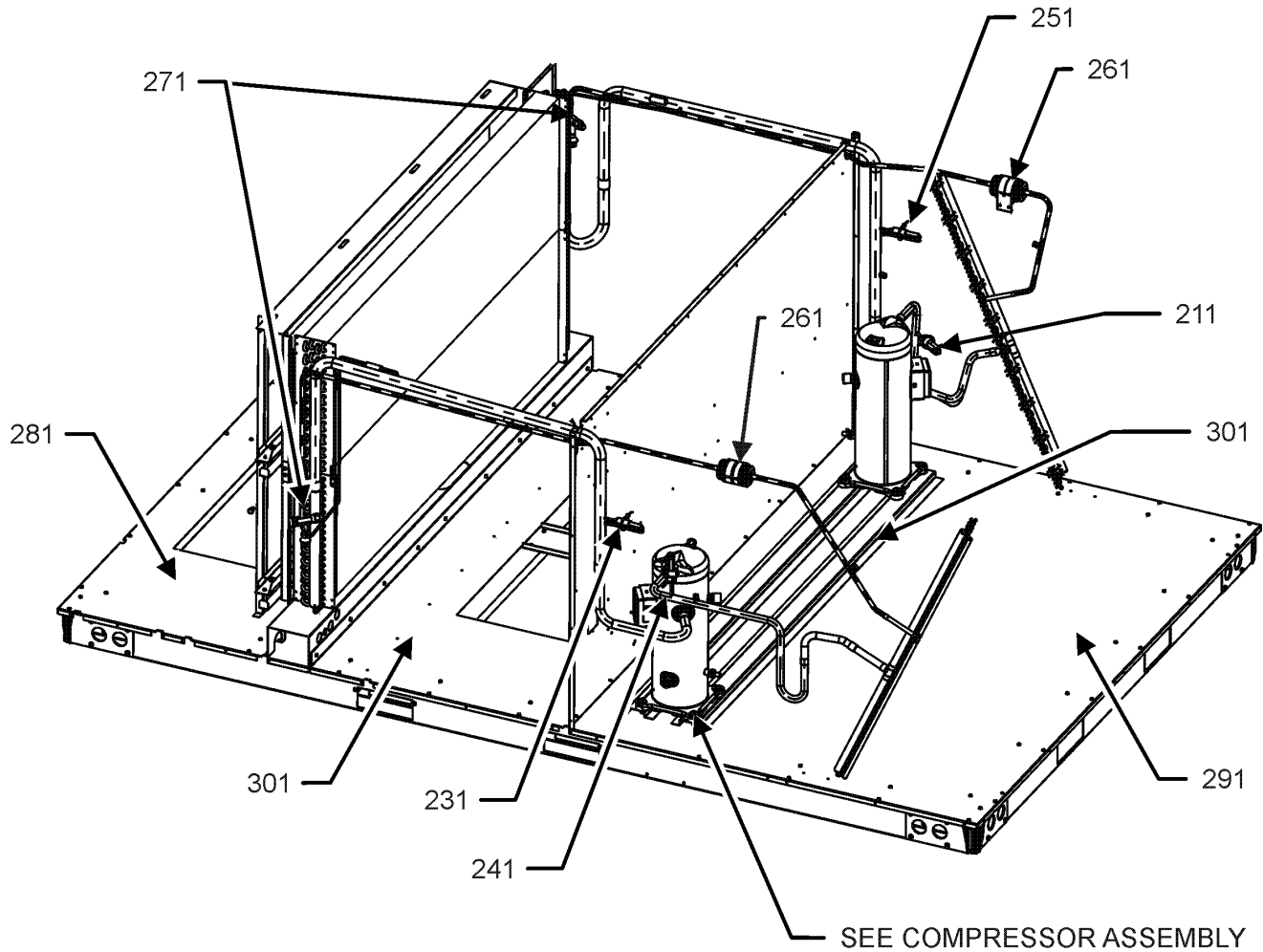
11	0121L01038NG	TOP-FAN,CONTROL SIDE
21	0121L01039NG	TOP-FAN, CENTER
31	0121L01040NG	TOP-FAN, EVAP SIDE
41	0152G00003	FAN GRILLE (QTY 3)
51	17788000083F	PVC CONDUIT 8.25" (QTY 3)
61	0161L00000	VENTURI RING 22" (QTY 3)
71	10625733	FAN BLADE 22" ALUM CCW (QTY 3)
81	0163M00006P	ACORN NUT 5/16 HEX BLACK (QTY 12)
91	0163M00005P	WASHER, BLACK (.50 OD .218ID) (QTY 12)
131	0131M00430	COND MOTOR 1/3 HP, 1 SP, 6 PL (M1)
131	0131M00774	MOTOR, 1/3 HP, OD (M2, M3, M4)
211	0121L00693NG	TOP-CONTROL SIDE
221	0121L00694NG	TOP PANEL ASSY
NS	0163M00004	SCREW #10X3/4", BLACK (QTY 24)

Expanded Model Nomenclature

M1 - DCC240XXX3BXXXAC
M2 - DCC240XXX4BXXXAD
M3 - DCC240XXX4BXXZAC
M4 - DCC2400604BHXAAC

Tubing and Compressor Assembly

TUBING ASSEMBLY



COMPRESSOR ASSEMBLY

Tubing and Compressor Assembly

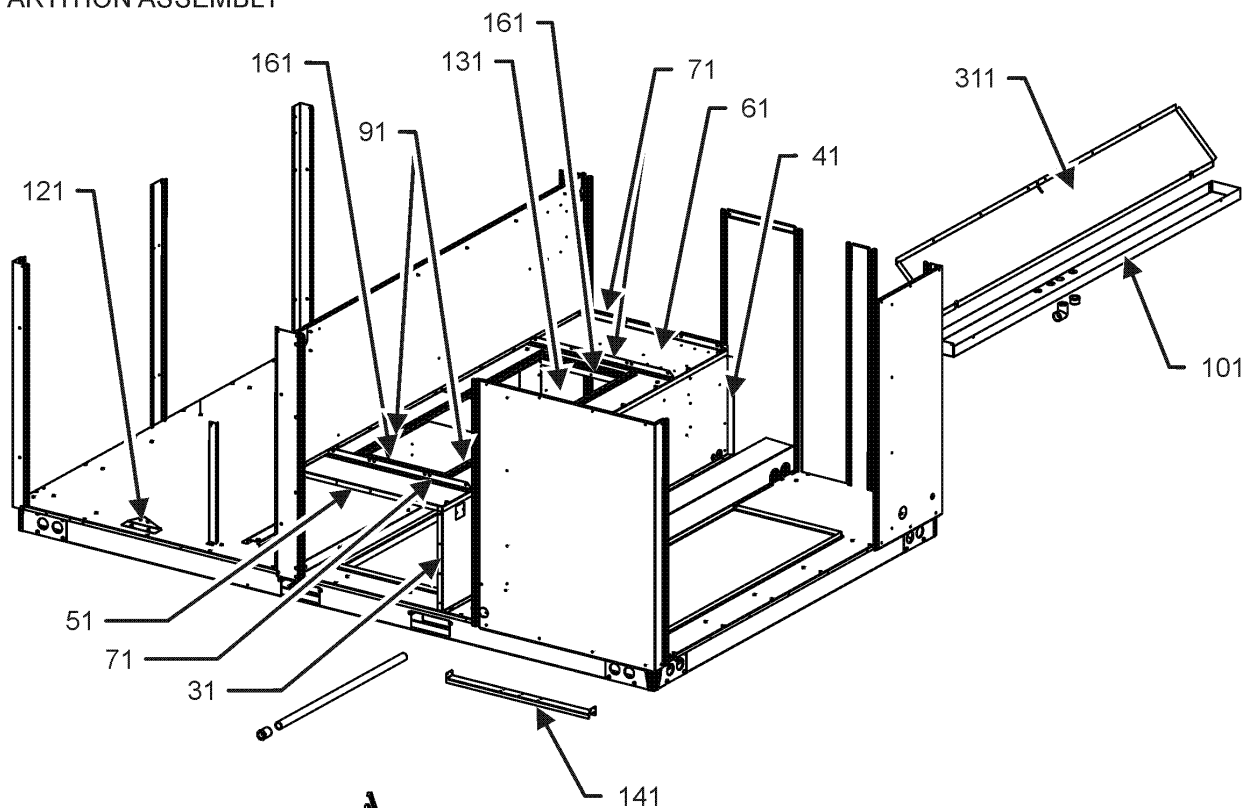
Ref. Part No:	No:	Description:	Ref. Part No:	No:	Description:
<i>Image 1:</i>					
211	0130M00074	CUT-OUT SWITCH, HIGH PRESSURE			
231	0130M00087	CUT-OUT SWITCH, LOW PRESSURE			
241	0130M00074	CUT-OUT SWITCH, HIGH PRESSURE			
251	0130M00087	CUT-OUT SWITCH, LOW PRESSURE			
261	0151M00012	BI-FLOW FILTER DRIER			
271	0151L00011	VALVE, TXV R-410A (QTY 2)			
281	0270L00189	BASEPAN WELDMENT, RETURN SIDE			
291	0270L00336	BASEPAN WELD, OUTDOOR			
301	0121L00948	BASE PAN-SUPPLY			
321	0121L00647	MTG RAIL-COMPRESSOR (QTY 2)			
331	ZP122KCETFD155	COMP, 124000, 460/60/3 (M2, M3, M4)			
331	ZP122KCETF5250	COMP, 124000, 200/230/60/3 (M1)			
341	0130L00017	CRANK CASE HEATER-70W 240V (M1)			
341	0130L00018	CRANK CASE HEATER-70W, 480V (M2, M3, M4)			
351	0159L00048	COMPRESSOR SCROLL HARNESS (M1)			
351	0159L00049	COMPRESSOR SCROLL HARNESS (M1)			
351	0159L00072	Harness, comp scroll (M2, M3, M4)			
351	0159L00073	Harness, comp scroll (M2, M3, M4)			
361	0164M00018	COMPRESSOR GROMMET (QTY 8)			
371	B1393740	COMPRESSOR BOLT & SLEEVE (QTY 8)			
NS	0163M00175	CAP WITH O-RING (QTY 4)			

Expanded Model Nomenclature

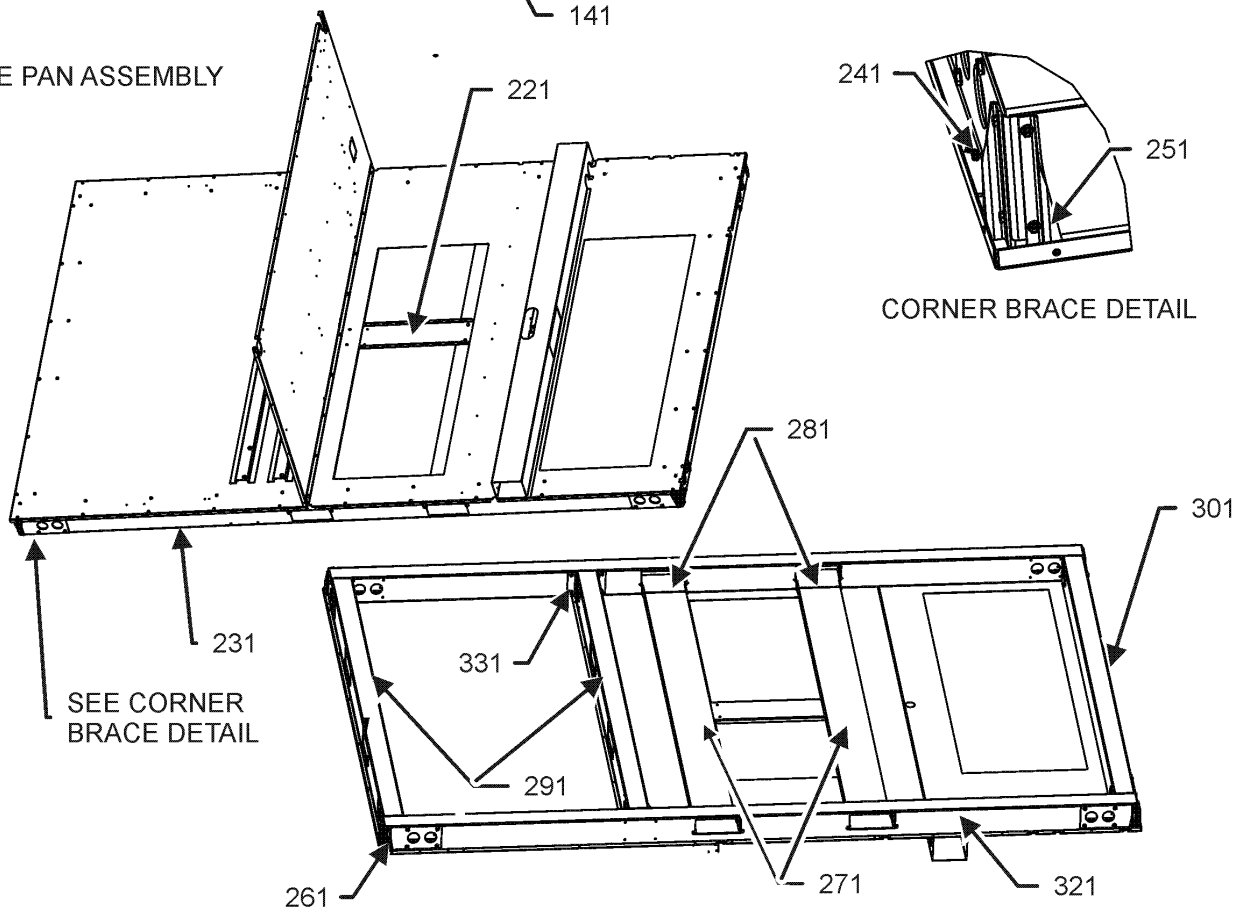
- M1 - DCC240XXX3BXXXAC
- M2 - DCC240XXX4BXXXAD
- M3 - DCC240XXX4BXXZAC
- M4 - DCC2400604BHXAAC

Partition and Base Pan Assembly

PARTITION ASSEMBLY



BASE PAN ASSEMBLY



Partition and Base Pan Assembly

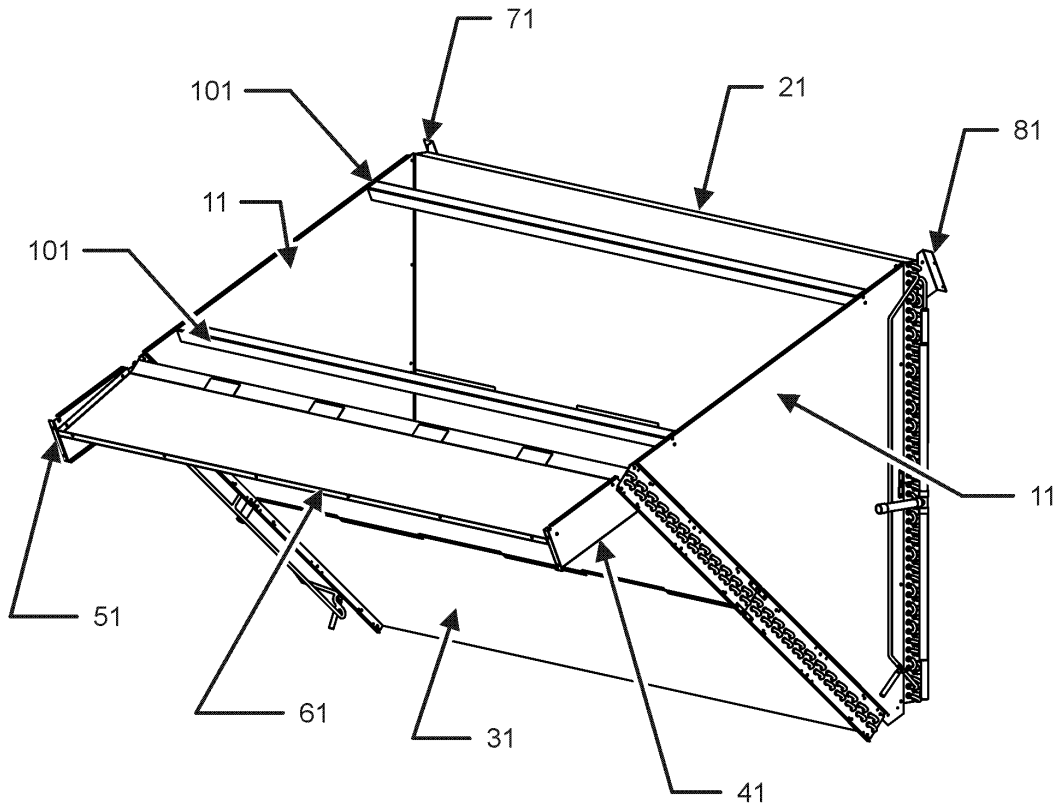
Ref. Part No: No:	Description:	Ref. Part No: No:	Description:
<i>Image 1:</i>			
31	0121L01163		DECK, SIDE DUCT END
41	0121L01162		DECK, SIDE HEAT END
51	0121L01160		BLOWER DECK, EVAP SIDE
61	0121L01161		BLOWER DECK, MOTOR SIDE
71	0121L01431		ANGLE, MOTOR MOUNT (QTY 3)
91	0121L00478		BLOWER DECK RAIL (QTY 2)
101	0270L00612DG		WELDMENT-DRAIN PAN
121	0121L00913		BRACKET-COND/BASEPAN (QTY 2)
131	0121L00591		ELECTRIC HEAT MOUNTING PLATE
141	0121L00592		ELECTRIC HEAT SUPPORT
161	0121L00481		BLOWER RAIL (QTY 2)
221	0121L00605		FORK BOARD PLATE
231	0121L00720		SIDE RAIL
241	0121L00616		RAIL BRACE ANGLE, RIGHT (QTY 4)
251	0121L00617		RAIL BRACE ANGLE, LEFT (QTY 4)
261	0121L00723		BASE RAIL CORNER BRACE (QTY 4)
271	0141L00029		FORK BOARD (QTY 2)
281	0121L00724		FORK BOARD BRACKET (QTY 4)
291	0121L00721		BASE RAIL, CONDENSER END (QTY 2)
301	0121L00722		BASE RAIL, ACCESSORY END
311	0121L01158		SHIELD, BLOWOFF
321	0121L00719		CONTROL SIDE BASE RAIL
331	0121L00625		COMPRESSOR RAIL BRACKET (QTY 4)
NS	0121L00593		FLUE HOLE COVER
NS	0164G00004		GROMMET-HORSESHOE 1.75 (QTY 2)
NS	0121L00321		SMOKE DETECTOR COVER

Expanded Model Nomenclature

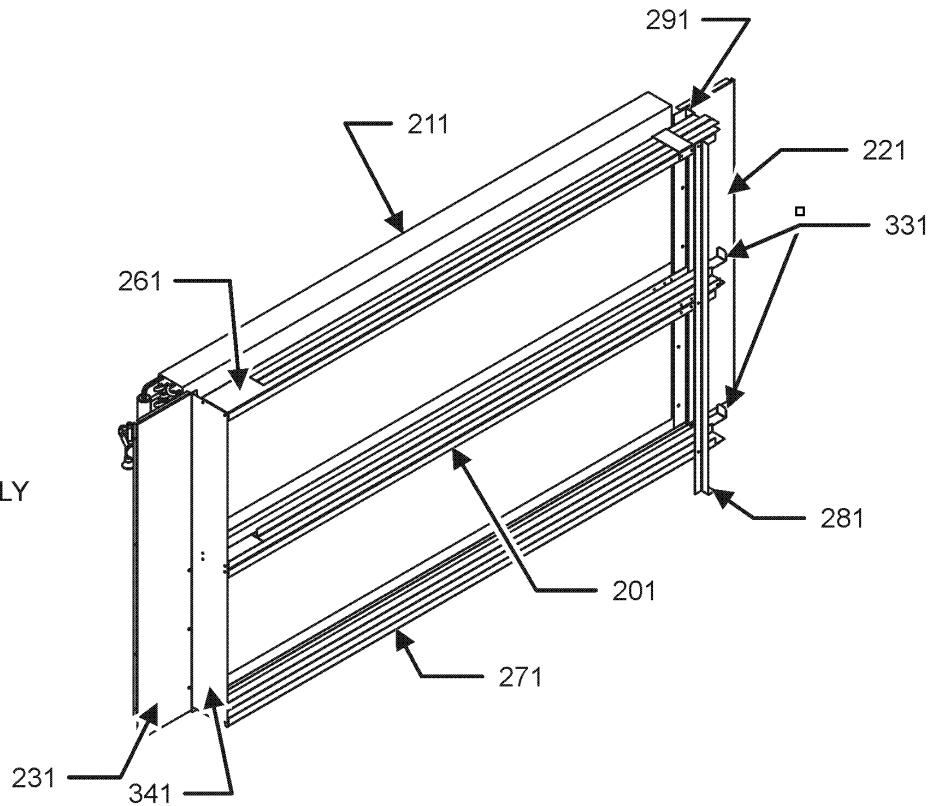
M1 - DCC240XXX3BXXXAC
M2 - DCC240XXX4BXXXAD
M3 - DCC240XXX4BXXZAC
M4 - DCC2400604BHXAAC

Condenser and Evaporator Assembly

CONDENSER ASSEMBLY



EVAPORATOR ASSEMBLY



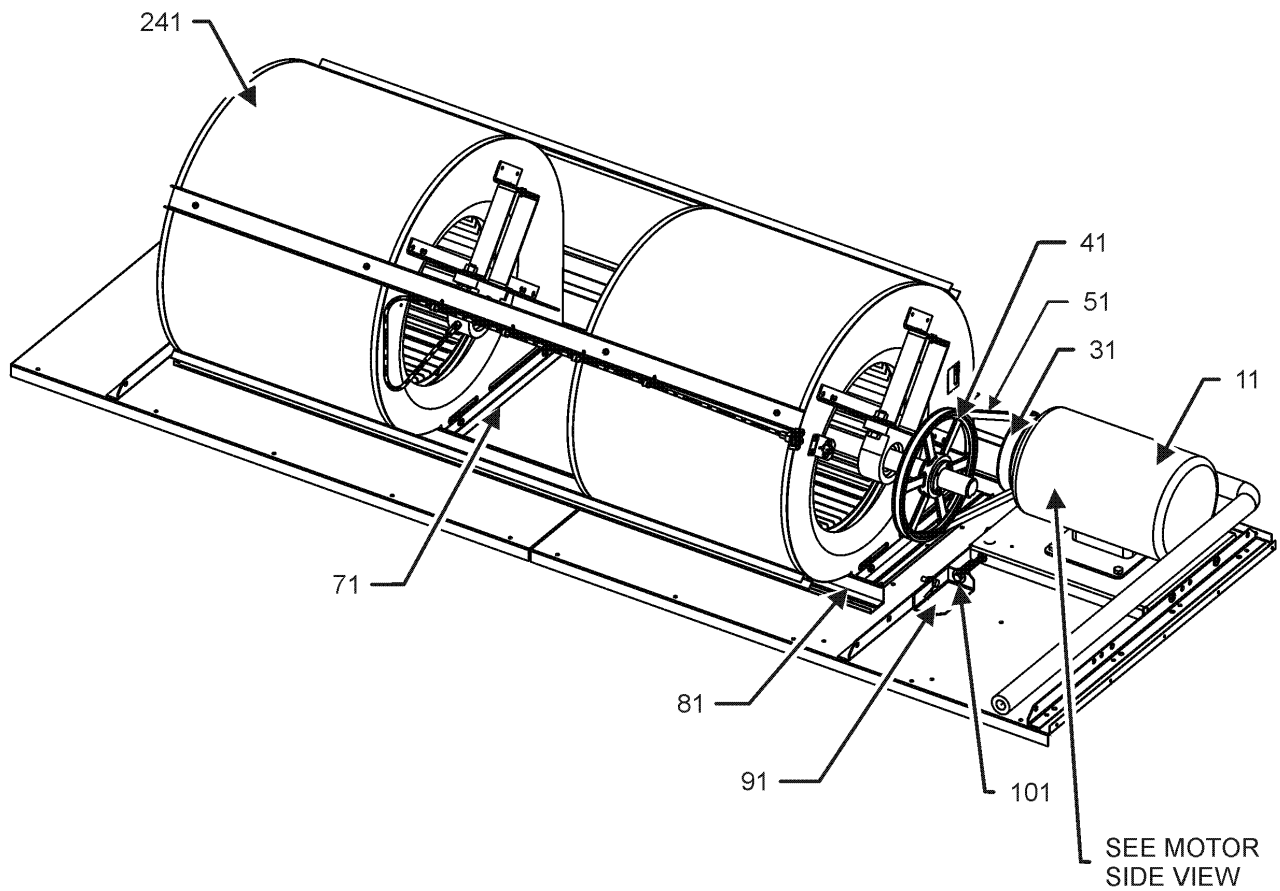
Condenser and Evaporator Assembly

Ref. Part No:	No:	Description:	Ref. Part No:	No:	Description:
<i>Image 1:</i>					
21	0201L00151	CONDENSER COIL ASSY C1			
31	0201L00152	CONDENSER COIL ASSY C2			
41	0121L01154	BRACKET, CONDENSER END C1			
51	0121L01156	BRACKET, CONDENSER END C2			
61	0121L00572	CONDENSER BLOCKOFF, INSIDE TOP			
71	0121L01153	BRACKET, COND/POST C2			
81	0121L01155	BRACKET, COND/POST C1			
101	0121L01037	ANGLE, TOP BRACE (QTY 2)			
201	0270L00658	CENTER FILTER RACK			
211	0202L00047	EVAPORATOR COIL ASSY (QTY 2)			
221	0121L00698	EVAPORATOR BLOCKOFF PANEL			
231	0121L00848	PANEL-EVAPORATOR, SMOKE DET			
261	0121L01180	TOP FILTER RACK			
271	0121L01179	BOTTOM FILTER RACK			
281	0121L00632	FILTER SUPPORT ANGLE			
291	0121L01508	RIGHT SIDE BLOCKOFF, FILTER RACK			
331	0121L00640	FILTER PULL (QTY 2)			
341	0121L00933	ANGLE-FILTER, LEFT VERTICAL			
NS	0160L00137	Air Filter 20x25x2 (QTY 6)			
NS	0121L00703	BOTTOM BLOCKOFF, FILTER RACK			

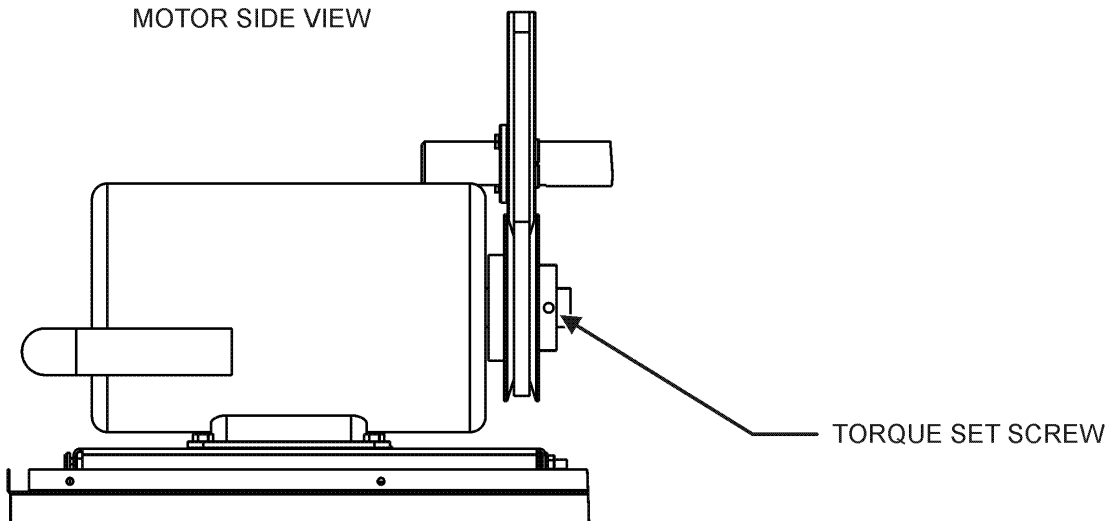
Expanded Model Nomenclature

M1 - DCC240XXX3BXXXAC
M2 - DCC240XXX4BXXXAD
M3 - DCC240XXX4BXXZAC
M4 - DCC2400604BHXAAC

Blower Assembly



MOTOR SIDE VIEW



Blower Assembly

Ref. Part No:	No:	Description:	Ref. Part No:	No:	Description:
---------------	-----	--------------	---------------	-----	--------------

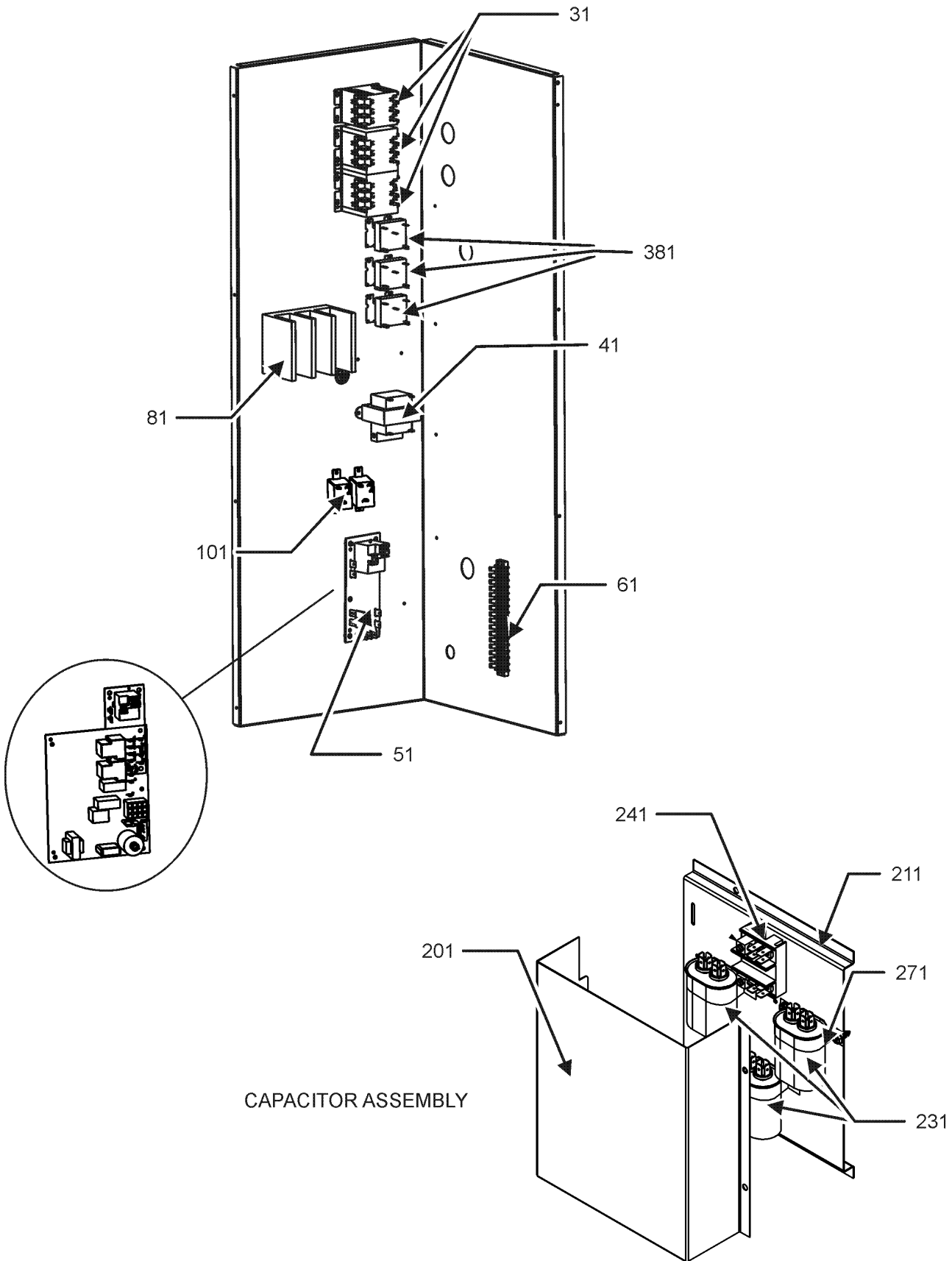
Image 1:

11	0131M00274	COND MOTOR 5.0 HP
31	0163L00037	VARIABLE PITCH SHEAVE
41	0163L00139	SHEAVE, FIXED BK100H
51	0164L00006	FAN BELT, NOTCHED
71	0121L00482	BLOWER SIDE ANGLE (QTY 4)
81	0121L00479	BLOWER RAIL (QTY 2)
91	0121L01429	BRACKET, DRIVE SCREW
101	0163M00351	BOLT, 3/8-16-6
241	0271L00027	150-15R BD 1.44 TWIN BLOWER

Expanded Model Nomenclature

M1 - DCC240XXX3BXXXAC
M2 - DCC240XXX4BXXXAD
M3 - DCC240XXX4BXXZAC
M4 - DCC2400604BHXAAC

Control Panel Assembly



Control Panel Assembly

Ref. Part No: No:	Description:	Ref. Part No: No:	Description:
-------------------	--------------	-------------------	--------------

Image 1:

31	CONT3P030024V	CONTACTOR 30 AMP, 3P, 24V
31	CONT3P050024V	CONTACTOR 50 AMP, 3P, 24V (M1)
41	0130M00144	TRANSFORMER (M1)
41	0130M00145	TRANSFORMER 480V to 24V, 75VA (M2, M3, M4)
51	PCBFM103	ELECTRONIC BLOWER TIME DELAY
61	0130M00038	TERMINAL BOARD
81	0130M00042	BLOCK, POWER
101	0130M00242	RELAY, 24V (QTY 2)
201	0121L00586	CAPACITOR COVER
211	0121L00585	CAPACITOR MOUNTING PLATE
231	CAP100000370LA	CAPACITOR 10/370V (QTY 3)
241	B1368250	TERMINAL BLOCK (HIGH VOLTAGE)
271	20520901	CAPACITOR STRAP (QTY 3)
381	0130M00025	24V RELAY (QTY 2)
NS	0259L00118	CONDENSER FAN HARNESS, LONG
NS	0259L00117	CONDENSER FAN HARNESS, MEDIUM
NS	0259L00116	CONDENSER FAN HARNESS, SHORT
NS	0159L00052	HARNESS JUMPER LONG
NS	0259L00106	HARNESS, CONTROL AC
NS	0259L00164	HARNESS, ECONOMIZER AC
NS	0259L00107	HARNESS, E-HEAT
NS	0159L00051	HARNESS, JUMPER SHORT
NS	0259L00101	MOTOR HARNESS-BELT DRIVE

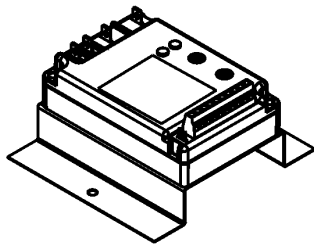
Expanded Model Nomenclature

M1 - DCC240XXX3BXXXAC
M2 - DCC240XXX4BXXXAD
M3 - DCC240XXX4BXXZAC
M4 - DCC2400604BHXAAC

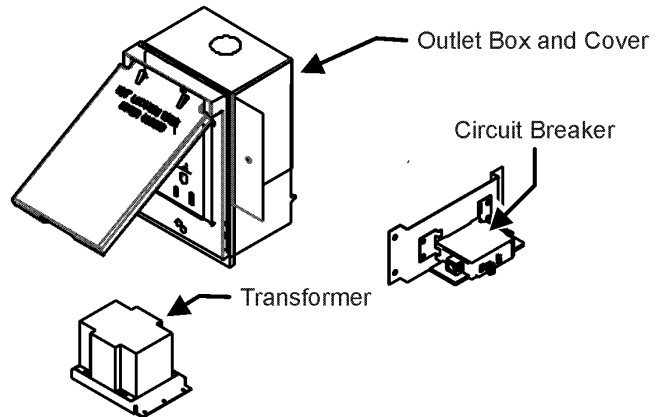
ACCESSORY PARTS LIST

NOTE: NOT ALL OPTIONS AVAILABLE FOR ALL PRODUCTS

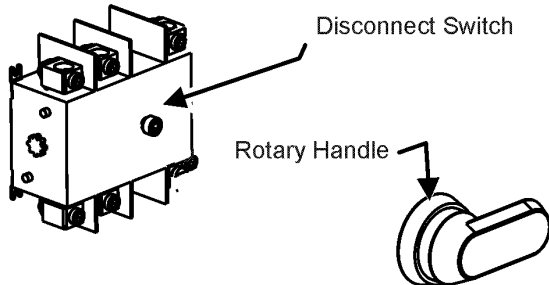
1 LOW AMBIENT KITS



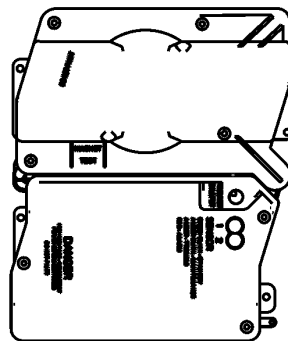
2 GFCI CONVENIENCE OUTLET



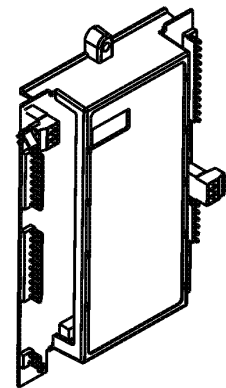
3 DISCONNECT MODULE (NON-FUSED)



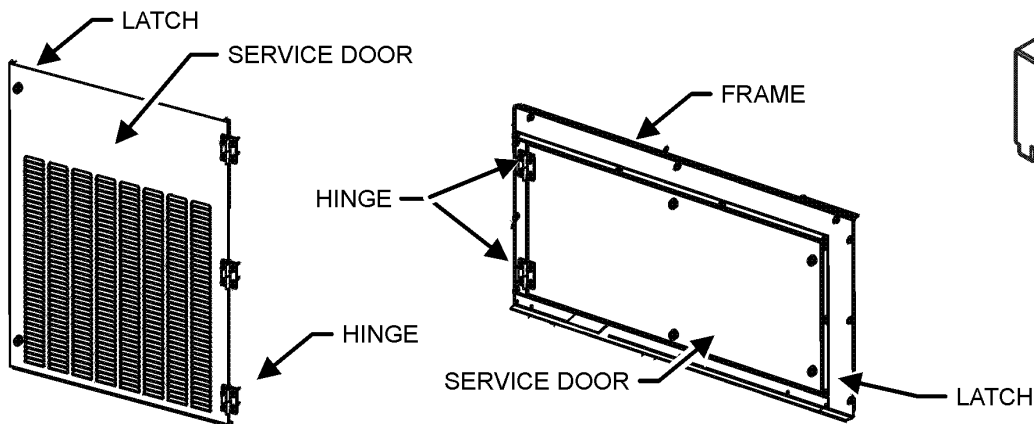
4 SMOKE DETECTORS



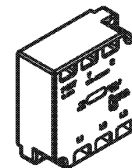
5 DDC CONTROL



6 HINGED DOOR ASSEMBLIES



7 PHASE MONITOR



Accessory Part List

Ref. Part No:	No:	Description:	Ref. Part No:	No:	Description:
<i>Image 1:</i>					
NS	0121L00316	BRACKET-CONV OUTLET MOUNT (M4)			
NS	0121L00855	BRACKET-DISCONNECT SWITCH (M4)			
NS	0121L01053	BRACKET-SMOKE DETECTOR (M3)			
NS	0121L00839NG	DISCONNECT COVER (M4)			
NS	EHK4-60	ELECTRIC HEATER KIT (M4)			
NS	0130L00012	GANG BOX-GFCI OUTLET (M4)			
NS	0130L00039	HANDLE, ROTARY (M4)			
NS	0161G00012	POWER OUTLET BOX (M4)			
NS	0130L00103	RECEPTACLE-GFCI OUTLET (M4)			
NS	0130L00058	SHAFT, CUT (M4)			
NS	0130L00049	SHAFT, DISCONNECT (M4)			
NS	D4120	SMOKE DETECTOR, PHOTO 4WIRE (M3)			
NS	D4S	SMOKE DETECTOR, SENSOR ONLY (M3)			
NS	0130L00027	SWITCH-DISCONNECT 100A (M4)			

Expanded Model Nomenclature

- M1 - DCC240XXX3BXXXAC
- M2 - DCC240XXX4BXXXAD
- M3 - DCC240XXX4BXXZAC
- M4 - DCC2400604BHXAAC