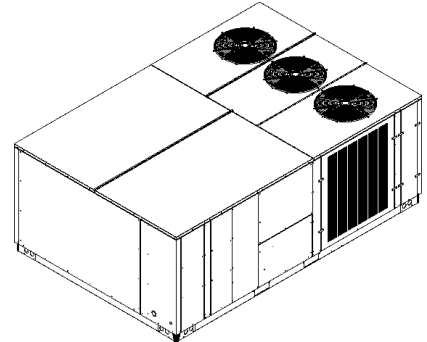


Commercial 15 Ton 2-Speed Package Cooling Units

DCC1800313VXDPAA
DCC1800463VWXBAA
DCC180XXX3VXXXAA
DCC180XXX4VVDLAB
DCC180XXX4VXXBAB
DCC180XXX4VXXXAA
DCC180XXX4VXXXAB
DCC180XXX4VXXZAB
DCC180XXX7VXXXAA
DCC180XXX7VXXXAB



This manual is to be used by qualified technicians only.

This manual replaces RP-D1040E.

Important Information

Index

Functional Parts List	3
Illustration and Parts	4 - 17

Views shown are for parts illustrations only, not servicing procedures

Text Codes:

AR - As Required

NA - Not Available

NS - Not Shown

00000000 - See Note

QTY - Quantity Example (QTY 3) (If Quantity not shown, Quantity = 1)

M - Model Example (M1) (If M Code not shown, then part is used on all Models)

Expanded Model Nomenclature:

Example M1 - Model#1 M2 - Model#2 M3 - Model#3

Daikin Company, L.P. is not responsible for personal injury or property damage resulting from improper service. Review all service information before beginning repairs.

Warranty service must be performed by an authorized technician, using authorized factory parts. If service is required after the warranty expires, Daikin Company, L.P. also recommends contacting an authorized technician and using authorized factory parts.

Daikin Company, L.P. reserves the right to discontinue, or change at any time, specifications or designs without notice or without incurring obligations.

For assistance within the U.S.A. contact:

Equipment Support
Daikin North America, LLC
19001 Kermier Road
Waller, Texas 77484
855-770-5678-Telephone
713-863-2382-Facsimile

For assistance outside the U.S.A. contact:

International Division
Daikin North America, LLC
19001 Kermier Road
Waller, Texas 77484
713-861-2500-Telephone
713-863-2382-Facsimile

Functional Parts

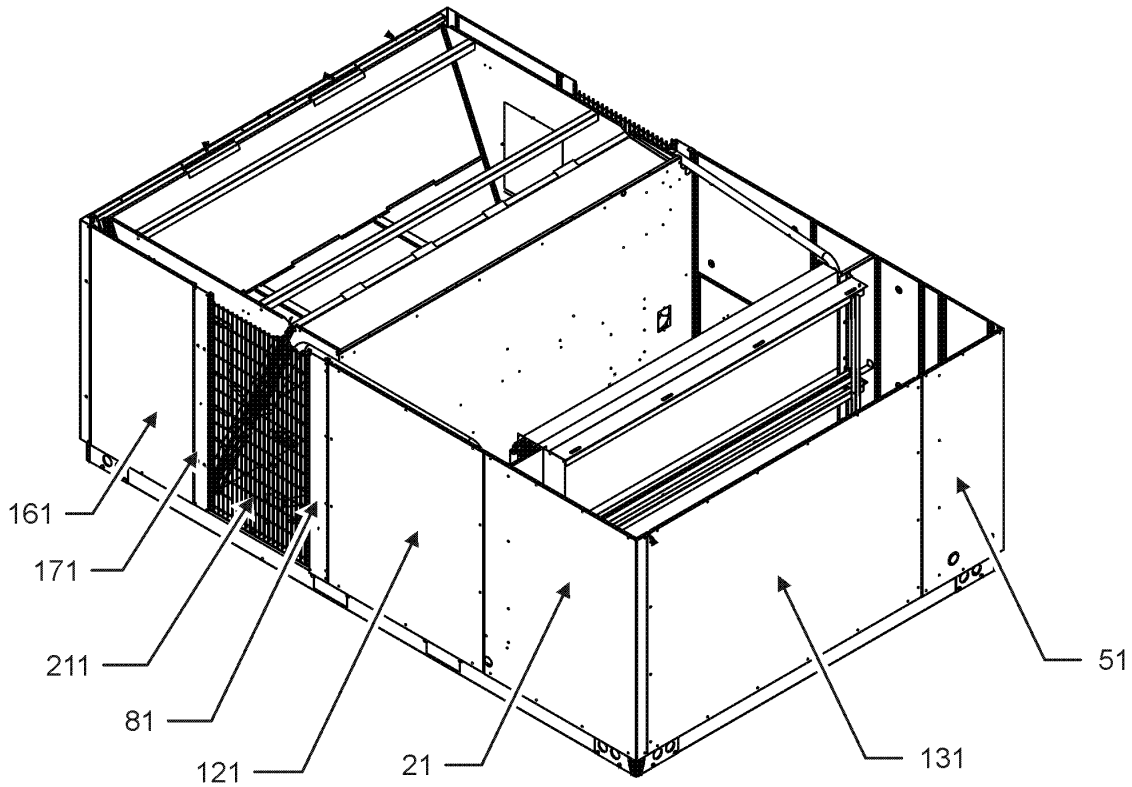
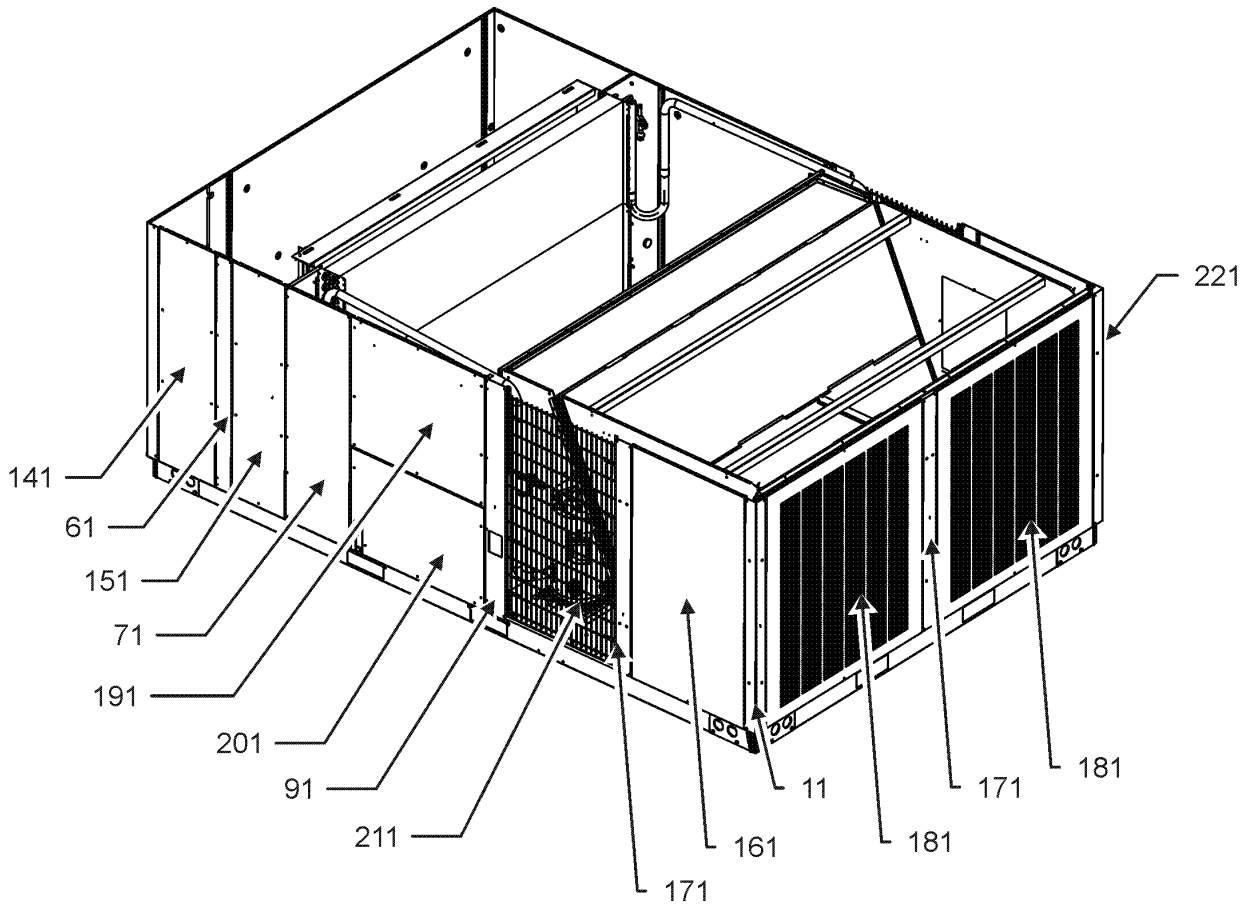
Part No: **Description:**

0271L00026	150-12R BD 1.18 TWIN BLOWER
0130M00242	24V RELAY (M1, M2, M3, M4, M5, M6, M9, M10)
0130M00025	24V RELAY (M1, M2, M3, M4, M5, M6, M9, M10)
CAP100000370LA	CAPACITOR 10/370V (M1, M2, M3, M5, M6, M9, M10)
CAP050000370LA	CAPACITOR 5/370V (M4, M7)
CAP050000440LA	CAPACITOR 5/440V (M8)
ZP83KCETF5250	COMPRESSOR 83000, 200/230/60/3 (M1, M9, M10)
ZP83KCETFD130	COMPRESSOR 83000, 460/60/3 (M2, M3, M4, M5, M6)
ZP83KCETFE130	COMPRESSOR 83000, 575/60/3 (M7, M8)
B13400249	COND MOTOR 1/3 HP, 460V (M4)
1778800083F	Conduit Pvc (QTY 3)
CONT3P030024V	CONTACTOR 30 AMP, 3P, 24V (M2, M3, M4, M5, M6, M7, M8)
CONT3P040024V	CONTACTOR 40 AMP, 3P, 24V (M1, M9, M10)
0130L00019	CRANK CASE HEATER, 70W, 575V (M7, M8)
0130L00017	CRANK CASE HEATER-70W 240V (M1, M9, M10)
0130L00018	CRANK CASE HEATER-70W, 480V (M2, M3, M4, M5, M6)
0164L00004	FAN BELT-NOTCHED
10625733	FAN BLADE 22" ALUM CCW (QTY 3)
0130M00074	HIGH PRESSURE SWITCH
0130M00087	LOW PRESSURE SWITCH
0131M00179	MOTOR, 1/3 HP, 6 PL, 575V (M7)
0131L00024	MOTOR, 3 HP BELT DRIVE 230V (M1, M9, M10)
0131L00030	MOTOR, 3 HP BELT DRIVE 460 V (M2, M3, M4, M5, M6)
0131L00027	MOTOR, 3 HP BELT DRIVE 575 V (M7, M8)
0131L00065	Motor, Cond, 1/3 HP, 460V (M2)
0131M00907	MOTOR, HP, 1/3, OD (M2, M3, M5, M6)
0131M00908	MOTOR, HP, 1/3, OD, LAK (M8)
0131M00906	MOTOR, HP, 1/3, SP, 1, PL, 6 (M1, M9, M10)
PCBFM103	PCB, TIME DELAY, EBTDR (M1, M2, M3, M4, M5, M6, M9, M10)
10135604	RELAY (M1, M2, M3, M4, M5, M6, M9, M10)
0130M00038	TERMINAL BOARD (M1, M2, M3, M4, M5, M6, M9, M10)
0130L00205	TRANSFORMER (M1, M9, M10)
0130L00206	TRANSFORMER (M2, M3, M5, M6)
0130L00207	TRANSFORMER (M8)
0130M00595	TRANSFORMER, 75VA, 480V TO 24V (M4)
0130M00598	TRANSFORMER, 75VA, 575V TO 24V (M7)
0151L00011	VALVE, TXV R-410A (QTY 8)

Expanded Model Nomenclature

M1 - DCC180XXX3VXXXAA
M2 - DCC180XXX4VVDLAB
M3 - DCC180XXX4VXXBAB
M4 - DCC180XXX4VXXXAA
M5 - DCC180XXX4VXXXAB
M6 - DCC180XXX4VXXZAB
M7 - DCC180XXX7VXXXAA
M8 - DCC180XXX7VXXXAB
M9 - DCC1800313VXDPAA
M10 - DCC1800463VWXBAA

Cabinet Assembly



Cabinet Assembly

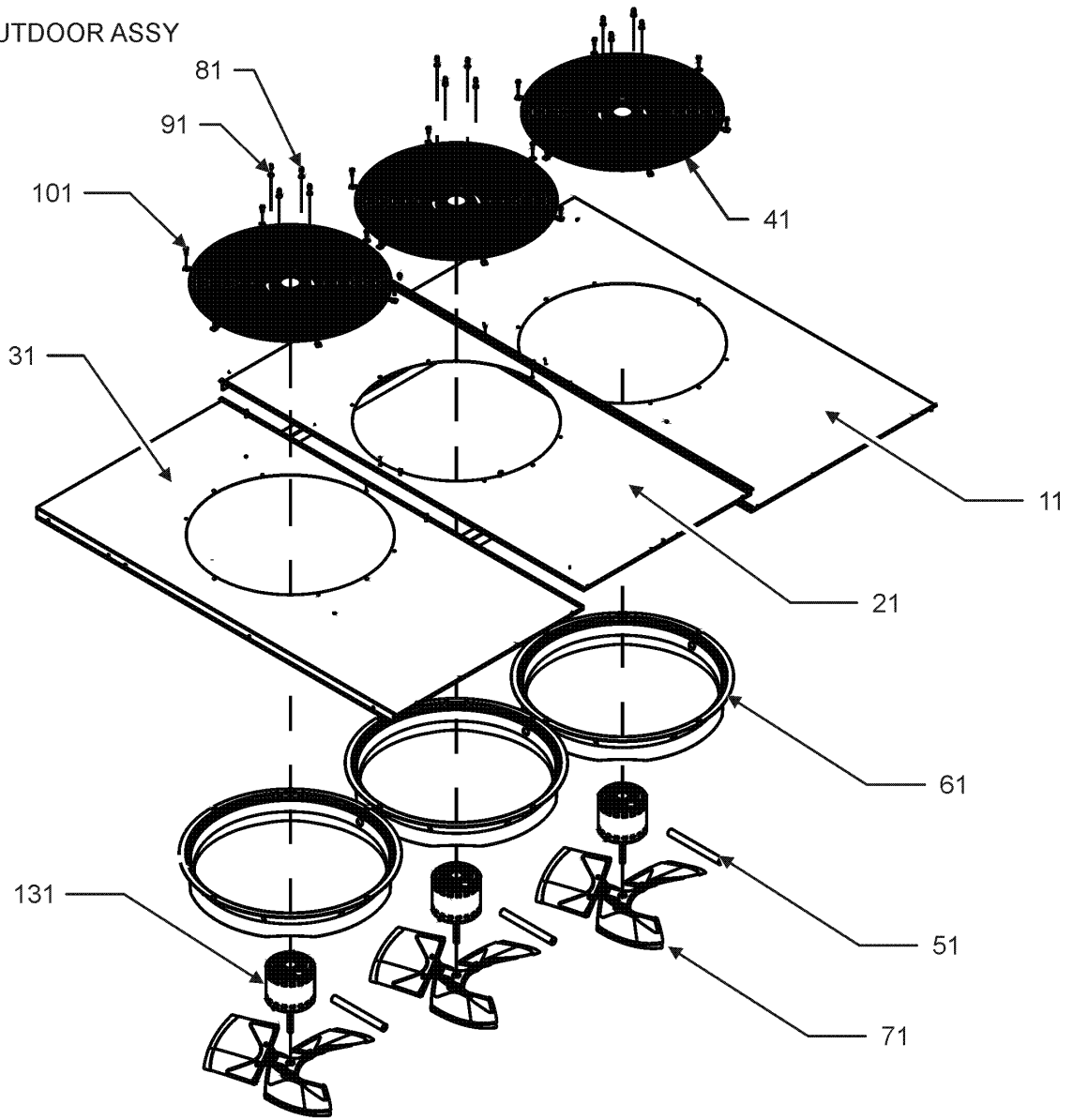
Ref. Part No:	Part No:	Description:	Ref. Part No:	Part No:	Description:
Image 1:					
11	0121L01143NG	CORNER POST (QTY 2)			
21	0121L00681NG	EVAP PANEL			
51	0121L00679NG	CONTROL CORNER PANEL (M1, M3, M4, M5, M6, M7, M8, M10)			
51	0121L01902NG	CONTROL COVER PANEL (M2, M9)			
61	0121L02048NG	CONTROL/FILTER POST (M1, M3, M4, M5, M6, M7, M8, M10)			
61	0121L01937NG	PNT. POST-CONTROL.FILTER (M2, M9)			
71	0121L00710NG	BLOWER DOOR POST (M1, M3, M4, M5, M6, M7, M8, M10)			
71	0121L01479NG	BLOWER DOOR POST (M2, M9)			
81	0121L00903NG	POST-PARTITION, EVAP SIDE			
91	0121L01480NG	POST- PARTITION, (COOL) HT (M2, M9)			
91	0121L00906NG	POST-PARTITION, (COOL) HT (M1, M3, M4, M5, M6, M7, M8, M10)			
121	0121L00685NG	BLOWER DOOR, EVAP SIDE			
131	0121L00688NG	ACCESSORY PANEL			
141	0121L01603NG	CONTROL DOOR (M2, M9)			
141	0121L00687NG	PNT, DOOR-CONTROL (M1, M3, M4, M5, M6, M7, M8, M10)			
151	0121L00686NG	FILTER DOOR (M1, M3, M4, M5, M6, M7, M8, M10)			
151	0121L01601NG	FILTER DOOR (M2, M9)			
161	0121L00907NG	PANEL-CONDENSER SIDE (QTY 2)			
171	0121L01144NG	POST, COND PANEL (QTY 3)			
181	0121L01174NG	PANEL-LOUVER, END (QTY 2)			
191	0121L00713NG	BLOWER DOOR GAS			
201	0121L00708NG	DOOR-ELECTRIC HEAT			
211	0152L00000	GRILLE-CONDENSER (QTY 2)			
221	0121L00476NG	PNT, TURNBUCKLE, DOOR (QTY 16)			
NS	M0204317	SCREW-MACH (QTY 16)			

Expanded Model Nomenclature

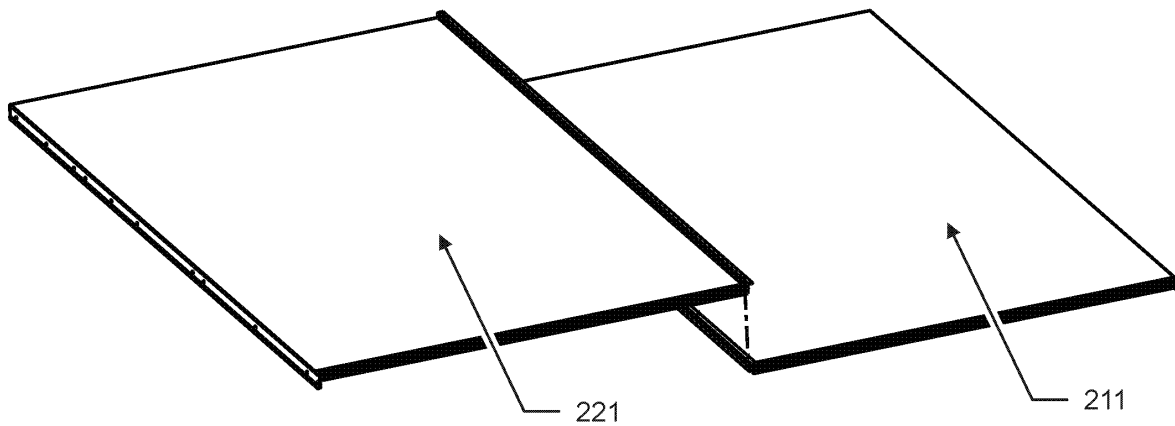
- M1 - DCC180XXX3VXXXAA
- M2 - DCC180XXX4VVDLAB
- M3 - DCC180XXX4VXXBAB
- M4 - DCC180XXX4VXXXAA
- M5 - DCC180XXX4VXXXAB
- M6 - DCC180XXX4VXXZAB
- M7 - DCC180XXX7VXXXAA
- M8 - DCC180XXX7VXXXAB
- M9 - DCC1800313VXDPAA
- M10 - DCC1800463VWXBAA

Top Panel Indoor/Outdoor Assembly

TOP PANEL OUTDOOR ASSY



TOP PANEL INDOOR ASSY



Top Panel Indoor/Outdoor Assembly

Ref. Part No:	Ref. Part No:	Description:	Description:
---------------	---------------	--------------	--------------

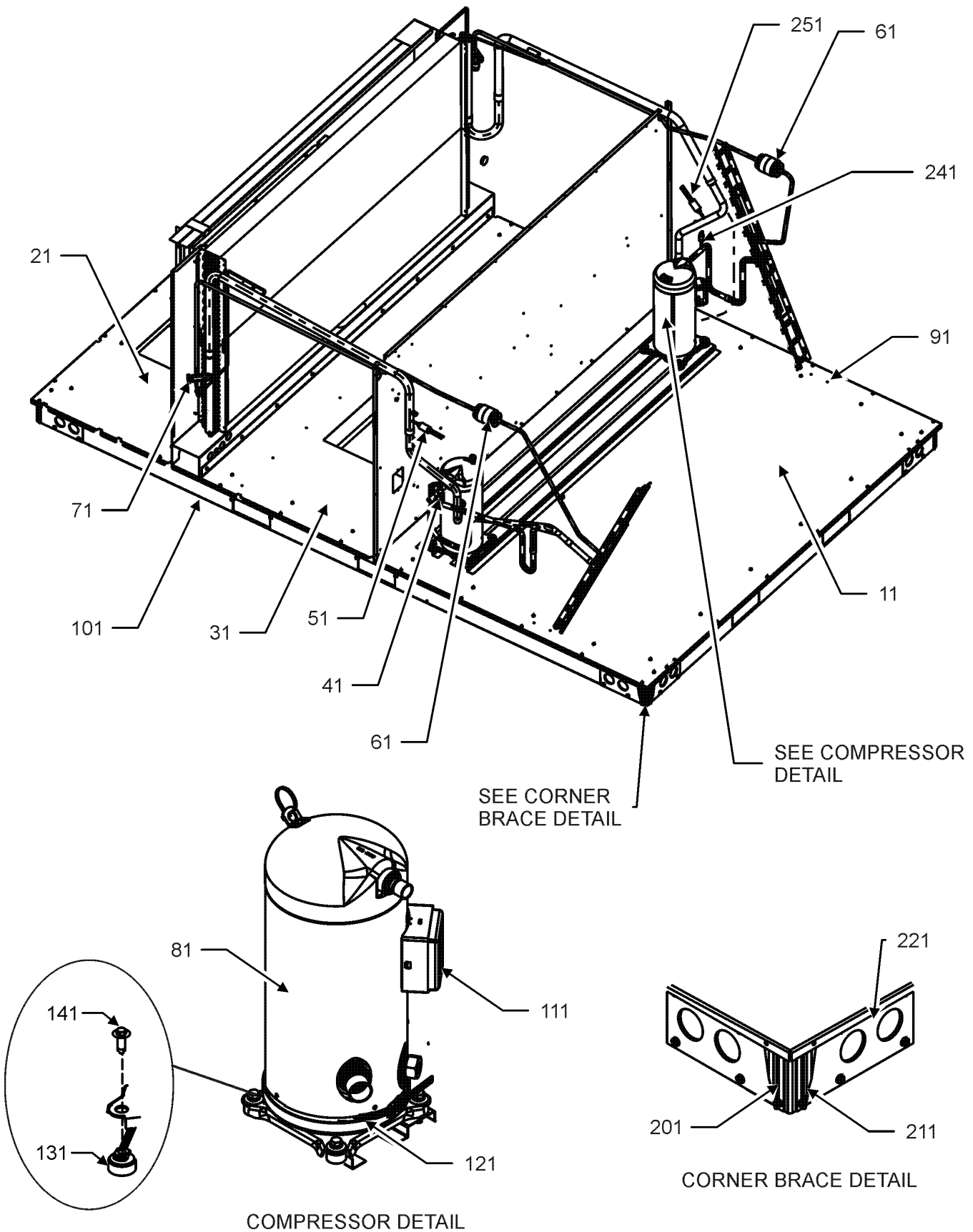
Image 1:

11	0121L01038NG	PNT, TOP-FAN, CONTROL SIDE
21	0121L01039NG	PNT, TOP-FAN, CENTER
31	0121L01040NG	PNT, TOP-FAN, EVAP SIDE
41	0152G00003	FAN GRILLE (M1, M3, M4, M5, M6, M7, M8, M9, M10)
41	0152G00000	FAN GRILLE, RAISED (M2)
51	17788000083F	Conduit Pvc (QTY 3)
51	17788000083F	PVC CONDUIT 8.25" (QTY 3)
61	0161L00000	VENTURI RING 22" (QTY 3)
71	10625733	FAN BLADE 22" ALUM CCW (QTY 3)
81	0163M00006P	ACORN NUT 5/16 HEX BLACK (QTY 12)
91	0163M00005P	WASHER BLACK (.50 OD .218ID) (QTY 12)
101	0163M00004	SCREW #10X3/4", BLACK (QTY 24)
131	B13400249	COND MOTOR 1/3 HP, 460V (M4)
131	0131M00179	MOTOR, 1/3 HP, 6 PL, 575V (M7)
131	0131L00065	Motor, Cond, 1/3 HP, 460V (M2)
131	0131M00907	MOTOR, HP, 1/3, OD (M2, M3, M5, M6)
131	0131M00908	MOTOR, HP, 1/3, OD, LAK (M8)
131	0131M00906	MOTOR, HP, 1/3, SP, 1, PL, 6 (M1, M9, M10)
211	0121L00693NG	TOP, CONTROL SIDE
221	0121L00694NG	TOP, EVAP SIDE
NS	M0272803	WASHER-LOCK (QTY 3)

Expanded Model Nomenclature

M1 - DCC180XXX3VXXXAA
M2 - DCC180XXX4VVDLAB
M3 - DCC180XXX4VXXBAB
M4 - DCC180XXX4VXXXAA
M5 - DCC180XXX4VXXXAB
M6 - DCC180XXX4VXXZAB
M7 - DCC180XXX7VXXXAA
M8 - DCC180XXX7VXXXAB
M9 - DCC1800313VXDPA A
M10 - DCC1800463VWXBAA

Tubing Assembly



Tubing Assembly

Ref. Part No:	Part No:	Description:	Ref. Part No:	Part No:	Description:
---------------	----------	--------------	---------------	----------	--------------

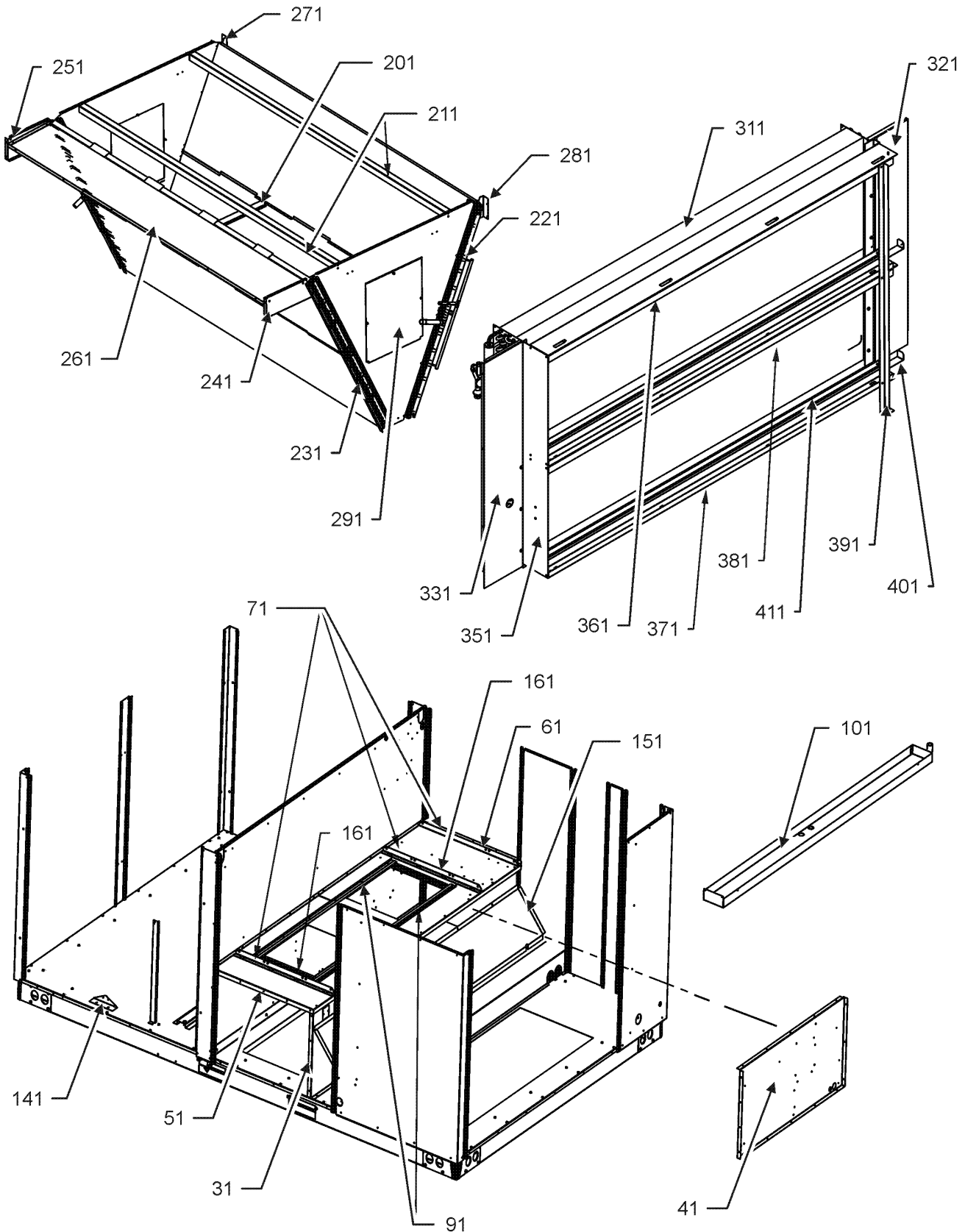
Image 1:

11	0121L00902	BASEPAN-OUTDOOR			
21	0121L00947	BASEPAN-RETURN			
31	0121L00948	BASEPAN-SUPPLY			
41	0130M00074	HIGH PRESSURE SWITCH			
51	0130M00087	LOW PRESSURE SWITCH			
61	0151M00012	BI-FLOW FILTER DRIER			
71	0151L00011	VALVE, TXV R-410A (QTY 8)			
81	ZP83KCETF5250	COMPRESSOR 83000, 200/230/60/3 (M1, M9, M10)			
81	ZP83KCETFD130	COMPRESSOR 83000, 460/60/3 (M2, M3, M4, M5, M6)			
81	ZP83KCETFE130	COMPRESSOR 83000, 575/60/3 (M7, M8)			
91	0121L00720	SIDE RAIL			
101	0121L00719	CONTROL SIDE BASE RAIL			
111	0159L00020	COMPRESSOR SCROLL HARNESS (M1, M9, M10)			
111	0159L00021	COMPRESSOR SCROLL HARNESS (M1, M9, M10)			
111	0159L00071	Harness, compressor (M2, M3, M4, M5, M6, M7, M8)			
111	0159L00070	Harness, compressor 460V (M2, M3, M4, M5, M6, M7, M8)			
121	0130L00019	CRANK CASE HEATER, 70W, 575V (M7, M8)			
121	0130L00017	CRANK CASE HEATER-70W 240V (M1, M9, M10)			
121	0130L00018	CRANK CASE HEATER-70W, 480V (M2, M3, M4, M5, M6)			
131	0164M00018	COMPRESSOR GROMMET (QTY 8)			
141	B1393740	COMPRESSOR BOLT & SLEEVE (QTY 8)			
201	0121L00616	RAIL BRACE ANGLE, RIGHT (QTY 4)			
211	0121L00617	RAIL BRACE ANGLE, LEFT (QTY 4)			
221	0121L00723	BASE RAIL CORNER BRACE (QTY 4)			
241	0130M00074	HIGH PRESSURE SWITCH			
251	0130M00087	LOW PRESSURE SWITCH			
NS	0121L00722	BASE RAIL, ACCESSORY END			
NS	0121L00721	BASE RAIL, CONDENSER END (QTY 2)			
NS	0163M00175	CAP WITH O-RING (QTY 4)			
NS	0121L00625	COMPRESSOR RAIL BRACKET (QTY 4)			
NS	0141L00029	FORK BOARD (QTY 2)			
NS	0121L00724	FORK BOARD BRACKET (QTY 4)			
NS	0121L00605	FORK BOARD PLATE			

Expanded Model Nomenclature

M1 - DCC180XXX3VXXXAA
M2 - DCC180XXX4VVDLAB
M3 - DCC180XXX4VXXBAB
M4 - DCC180XXX4VXXXAA
M5 - DCC180XXX4VXXXAB
M6 - DCC180XXX4VXXZAB
M7 - DCC180XXX7VXXXAA
M8 - DCC180XXX7VXXXAB
M9 - DCC1800313VXDPA
M10 - DCC1800463VWXBAA

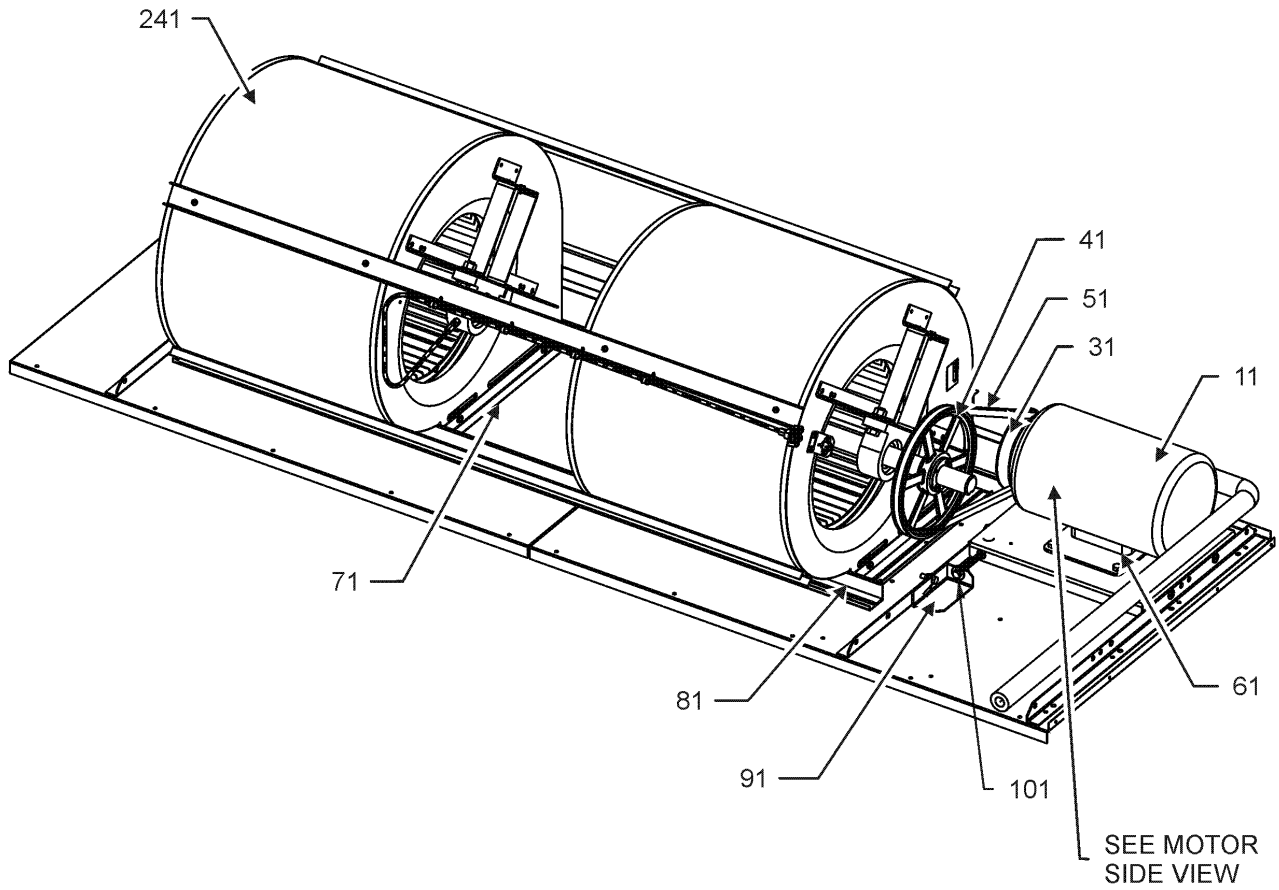
Condenser, Evaporator and Partition Assy



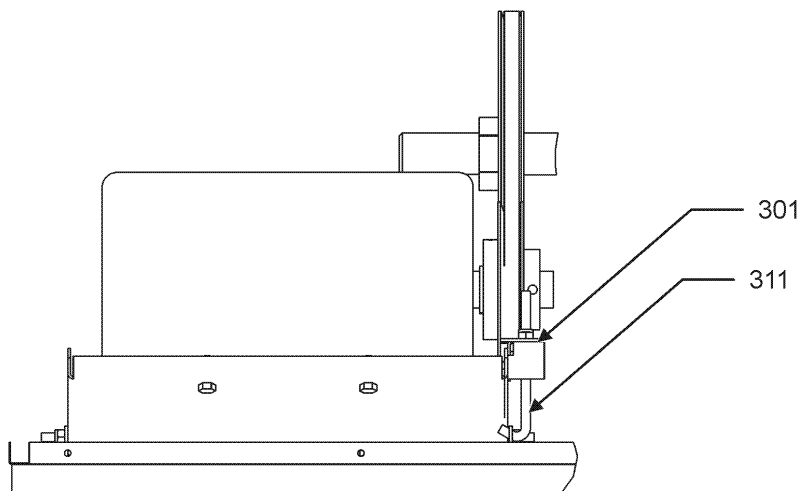
Condenser, Evaporator and Partition Assy

Ref. Part No: No:	Description:	Ref. Part No: No:	Description:
Image 1:		Expanded Model Nomenclature	
31	0121L01163 DECK, SIDE DUCT END	M1	DCC180XXX3VXXXAA
41	0121L01162 DECK, SIDE HEAT END	M2	DCC180XXX4VVDLAB
51	0121L00652 BLOWER DECK, EVAP SIDE	M3	DCC180XXX4VXXBAB
61	0121L00653 BLOWER DECK, MOTOR SIDE	M4	DCC180XXX4VXXXAA
71	0121L01431 MOTOR MOUNT ANGLE (QTY 3)	M5	DCC180XXX4VXXXAB
91	0121L00478 BLOWER DECK RAIL (QTY 2)	M6	DCC180XXX4VXXZAB
101	0270L00612DG DRAIN PAN	M7	DCC180XXX7VXXXAA
141	0121L00913 BRACKET-COND/BASEPAN (QTY 2)	M8	DCC180XXX7VXXXAB
151	0121L01158 SHIELD, BLOWOFF	M9	DCC1800313VXDPA
161	0121L00481 BLOWER RAIL (QTY 2)	M10	DCC1800463VWXBAA
201	0121L00901 BRACE-COND COILS (QTY 2)		
211	0121L01037 ANGLE, TOP BRACE (QTY 2)		
221	0201L00123 CONDENSER COIL ASSY, C1		
231	0201L00124 CONDENSER COIL ASSY C2		
241	0121L01154 BRACKET, CONDENSER END C1		
251	0121L01156 BRACKET, CONDENSER END C2		
261	0121L00572 CONDENSER BLOCKOFF, INSIDE TOP		
271	0121L01155 BRACKET, COND/POST C1		
281	0121L01153 BRACKET, COND/POST C2		
291	0121L00910 COVER-COIL CLEANING (QTY 2)		
311	0202L00047 EVAPORATOR COIL ASSY (QTY 2)		
321	0121L00698 EVAPORATOR BLOCKOFF PANEL		
331	0121L00848 PANEL-EVAPORATOR, SMOKE DET		
351	0121L00933 ANGLE-FILTER, LEFT VERTICAL		
361	0121L00629 TOP ANGLE FILTER (M4)		
361	0121L01180 TOP ANGLE FILTER (M1, M2, M3, M5, M6, M7, M8, M9, M10)		
371	0121L00701 BOTTOM FILTER RACK (M4)		
371	0121L01179 BOTTOM FILTER RACK (M1, M2, M3, M5, M6, M7, M8, M9, M10)		
381	0270L00230 CENTER FILTER RACK (M4)		
381	0270L00658 CENTER FILTER RACK (M1, M2, M3, M5, M6, M7, M8, M9, M10)		
391	0121L00632 FILTER SUPPORT ANGLE		
401	0121L00640 FILTER PULL (QTY 2)		
411	0121L00703 BOTTOM BLOCKOFF, FILTER RACK		
NS	0270L00233 BOTTOM SLIDER (M4)		
NS	0270L00232 CENTER SLIDER (M4)		
NS	0160L00137 FILTER, 20 X 25 X 2, STANDARD (QTY 6)		
NS	0121L00702 RIGHT SIDE BLOCKOFF, FILTER RACK (M4)		
NS	0121L00321 SMOKE DETECTOR COVER		
NS	0121L00634 TOP ANGLE BRACKET (M4)		
NS	0270L00271 WELDMENT-TOP SLIDER (M4)		

Blower Motor Assembly



MOTOR SIDE VIEW



Blower Motor Assembly

Ref. Part No:	Ref. Part No:	Description:	Description:
---------------	---------------	--------------	--------------

Image 1:

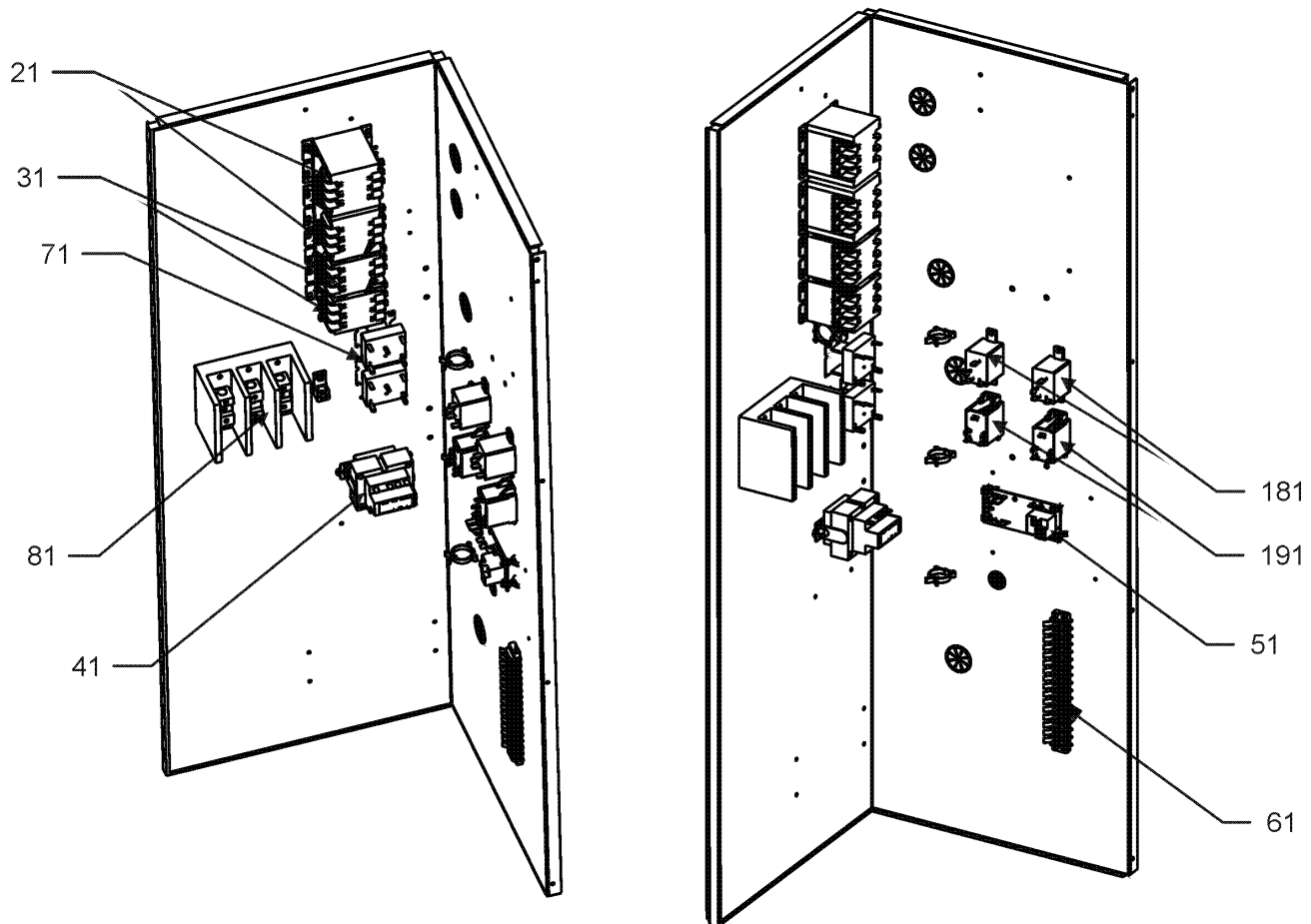
11	0131L00024	MOTOR, 3 HP BELT DRIVE 230V (M1, M9, M10)
11	0131L00030	MOTOR, 3 HP BELT DRIVE 460 V (M2, M3, M4, M5, M6)
11	0131L00027	MOTOR, 3 HP BELT DRIVE 575 V (M7, M8)
31	0163L00035	VARIABLE PITCH SHEAVE
41	0163L00139	SHEAVE, FIXED BK100H
51	0164L00004	FAN BELT-NOTCHED
61	0121L00555	MOTOR BASE PLATE (M4)
71	0121L00482	BLOWER SIDE ANGLE (QTY 4)
81	0121L00654	BLOWER RAIL (QTY 2)
91	0121L01429	BRACKET, DRIVE SCREW (M1, M2, M3, M5, M6, M7, M8, M9, M10)
101	0163M00351	BOLT, 3/8-16-6 (M1, M2, M3, M5, M6, M7, M8, M9, M10)
241	0271L00026	150-12R BD 1.18 TWIN BLOWER
301	0121L00557	MOTOR ADJUST BRACKET (M4)
311	0163L00034	HOKED BOLT (M4)

Expanded Model Nomenclature

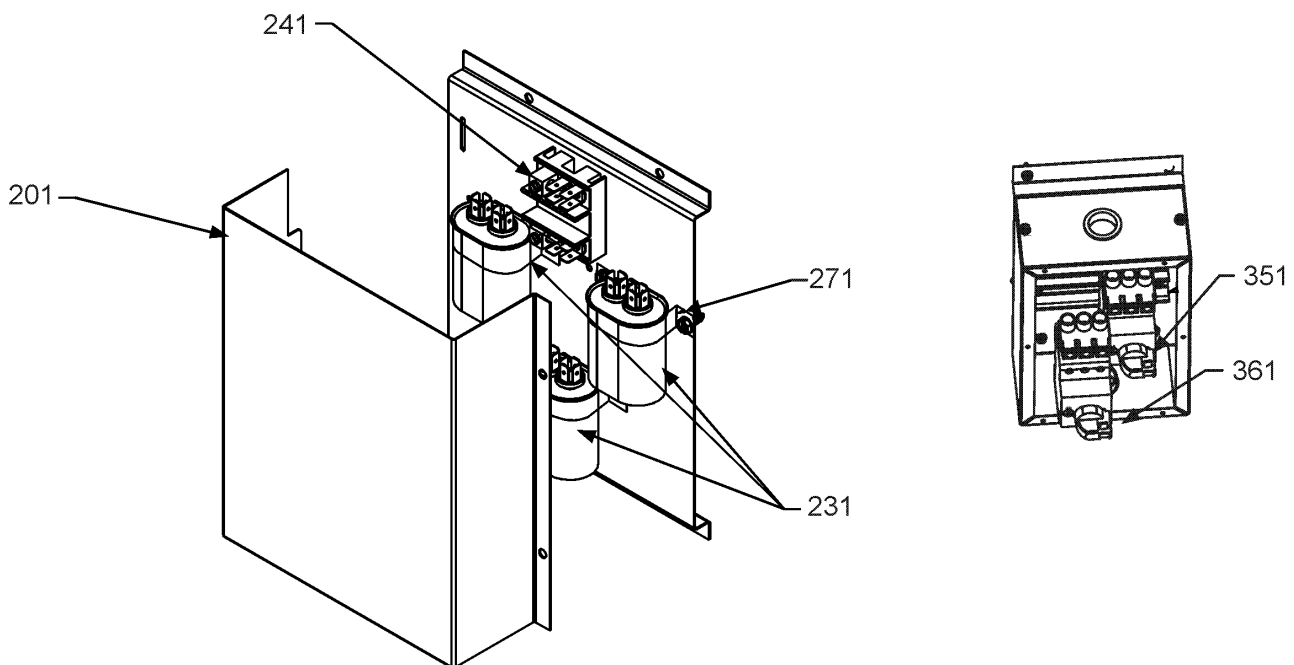
M1 - DCC180XXX3VXXXAA
M2 - DCC180XXX4VVDLAB
M3 - DCC180XXX4VXXBAB
M4 - DCC180XXX4VXXXAA
M5 - DCC180XXX4VXXXAB
M6 - DCC180XXX4VXXZAB
M7 - DCC180XXX7VXXXAA
M8 - DCC180XXX7VXXXAB
M9 - DCC1800313VXDPA
M10 - DCC1800463VWXBAA

Control Panel Assembly

CONTROL PANEL ASSEMBLY



CAPACITOR ASSEMBLY



Control Panel Assembly

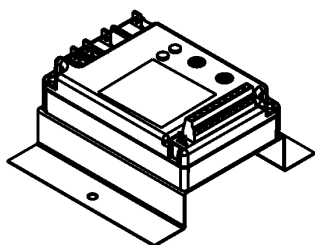
Ref. Part No:	Ref. Part No:	Description:	Description:											
Image 1:		Image 1:												
21	CONT3P030024V	CONT, 3 POLE, 30 AMP, 24 VAC (M2, M3, M4, M5, M6, M7, M8)	NS 0259L00181 HARNESS-BELT DRIVE 2 SP MOTOR											
21	CONT3P040024V	CONTACTOR 40 AMP, 3P, 24V (M1, M9, M10)	NS 0259L00092 HARNESS-SMOKE DETECTOR SENSOR (M2, M6)											
31	CONT3P030024V	CONT, 3 POLE, 30 AMP, 24 VAC (M2, M3, M4, M5, M6, M7, M8)	NS 0259L00187 ISO RELAY HARNESS (M1, M2, M3, M4, M5, M6, M9, M10)											
31	CONT3P040024V	CONTACTOR 40 AMP, 3P, 24V (M1, M9, M10)	NS 0259L00170 TERMINAL BOARD HARNESS (M1, M2, M3, M4, M5, M6, M9, M10)											
41	0130L00205	TRANSFORMER (M1, M9, M10)	NS 0259L00171 TRANSFORMER HARNESS											
41	0130L00206	TRANSFORMER (M2, M3, M5, M6)	NS 0259L00184 TRANSFORMER HARNESS											
41	0130L00207	TRANSFORMER (M8)	NS 0259L00169 WIRE HARNESS ASSY											
41	0130M00595	TRANSFORMER, 75VA, 480V TO 24V (M4)	NS 0259L00175 WIRE HARNESS ASSY											
41	0130M00598	TRANSFORMER, 75VA, 575V TO 24V (M7)	NS 0259L00176 WIRE HARNESS ASSY											
51	PCBFM103	PCB, TIME DELAY, EBTDR (M1, M2, M3, M4, M5, M6, M9, M10)	NS 0259L00090 WIRE HARNESS-SMOKE DETECTOR (M9)											
61	0130M00038	TERMINAL BOARD (M1, M2, M3, M4, M5, M6, M9, M10)	Expanded Model Nomenclature											
81	0130M00042	BLOCK, DISTRIB. 7.5-25 TON (M1, M2, M3, M4, M5, M6, M9, M10)	<table border="1"> <tr><td>M1 - DCC180XXX3VXXXAA</td></tr> <tr><td>M2 - DCC180XXX4VVDLAB</td></tr> <tr><td>M3 - DCC180XXX4VXXBAB</td></tr> <tr><td>M4 - DCC180XXX4VXXXAA</td></tr> <tr><td>M5 - DCC180XXX4VXXXAB</td></tr> <tr><td>M6 - DCC180XXX4VXXZAB</td></tr> <tr><td>M7 - DCC180XXX7VXXXAA</td></tr> <tr><td>M8 - DCC180XXX7VXXXAB</td></tr> <tr><td>M9 - DCC1800313VXDPAA</td></tr> <tr><td>M10 - DCC1800463VWXBAA</td></tr> </table>		M1 - DCC180XXX3VXXXAA	M2 - DCC180XXX4VVDLAB	M3 - DCC180XXX4VXXBAB	M4 - DCC180XXX4VXXXAA	M5 - DCC180XXX4VXXXAB	M6 - DCC180XXX4VXXZAB	M7 - DCC180XXX7VXXXAA	M8 - DCC180XXX7VXXXAB	M9 - DCC1800313VXDPAA	M10 - DCC1800463VWXBAA
M1 - DCC180XXX3VXXXAA														
M2 - DCC180XXX4VVDLAB														
M3 - DCC180XXX4VXXBAB														
M4 - DCC180XXX4VXXXAA														
M5 - DCC180XXX4VXXXAB														
M6 - DCC180XXX4VXXZAB														
M7 - DCC180XXX7VXXXAA														
M8 - DCC180XXX7VXXXAB														
M9 - DCC1800313VXDPAA														
M10 - DCC1800463VWXBAA														
171	0130M00025	24V RELAY (M1, M2, M3, M4, M5, M6, M9, M10)												
181	0130M00242	24V RELAY (M1, M2, M3, M4, M5, M6, M9, M10)												
191	10135604	RELAY (M1, M2, M3, M4, M5, M6, M9, M10)												
201	0121L00586	CAPACITOR COVER												
231	CAP100000370LA	CAPACITOR 10/370V (M1, M2, M3, M5, M6, M9, M10)												
231	CAP050000370LA	CAPACITOR 5/370V (M4, M7)												
231	CAP050000440LA	CAPACITOR 5/440V (M8)												
241	B1368250	TERMINAL BLOCK (HIGH VOLTAGE)												
271	20520901	CAPACITOR STRAP (QTY 3)												
351	0130L00070	ROTARY MANUAL MOTOR PROTECTOR (M2, M3, M4, M5, M6)												
351	0130L00082	ROTARY MANUAL MOTOR PROTECTOR (M7, M8)												
351	0130L00084	ROTARY MANUAL MOTOR PROTECTOR (M1, M9, M10)												
361	0130L00082	ROTARY MANUAL MOTOR PROTECTOR (M7, M8)												
361	0130L00083	ROTARY MANUAL MOTOR PROTECTOR (M1, M2, M3, M4, M5, M6, M9, M10)												
NS	0259L00185	BLOWER RELAY HARNESS (M1, M2, M3, M4, M5, M6, M9, M10)												
NS	0259L00186	BLOWER RELAY HARNESS (M1, M2, M3, M4, M5, M6, M9, M10)												
NS	0259L00190	CIRCUIT BREAKER HARNESS												
NS	0259L00118	CONDENSER FAN HARNESS, LONG												
NS	0259L00117	CONDENSER FAN HARNESS, MEDIUM												
NS	0259L00116	CONDENSER FAN HARNESS, SHORT												
NS	0259L00183	CRANK CASE HEATER WIRE HARNESS (M1, M2, M3, M4, M5, M6, M9, M10)												
NS	0159L00052	HARNESS JUMPER LONG (M1, M2, M3, M4, M5, M6, M9, M10)												
NS	0259L00164	HARNESS, ECONOMIZER AC (M1, M2, M3, M4, M5, M6, M9, M10)												
NS	0259L00107	HARNESS, E-HEAT (M1, M2, M3, M4, M5, M6, M9, M10)												
NS	0159L00051	HARNESS, JUMPER SHORT (M1, M2, M3, M4, M5, M6, M9, M10)												

Accessory Parts List

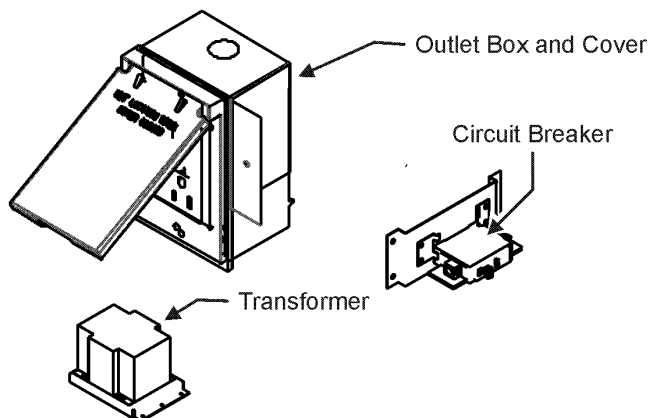
ACCESSORY PARTS LIST

NOTE: NOT ALL OPTIONS AVAILABLE FOR ALL PRODUCTS

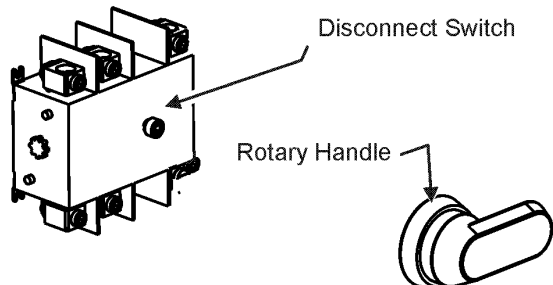
1 LOW AMBIENT KITS



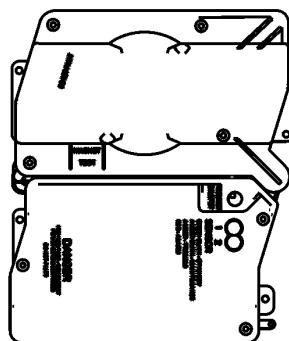
2 GFCI CONVENIENCE OUTLET



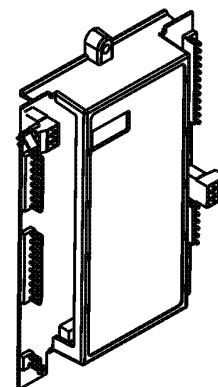
3 DISCONNECT MODULE (NON-FUSED)



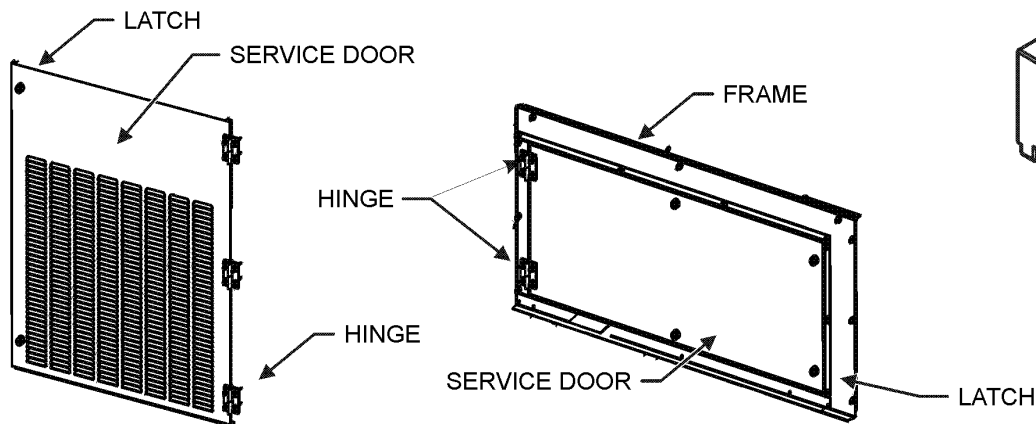
4 SMOKE DETECTORS



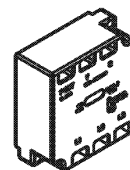
5 DDC CONTROL



6 HINGED DOOR ASSEMBLIES



7 PHASE MONITOR



Accessory Parts List

Ref. Part No:	Ref. Part No:	Description:	Description:
Image 1:			
NS DDNECNJ180300B		15-25 TON DFLOW ECON (M2, M10)	
NS 0121L00316		BRACKET-CONV OUTLET MOUNT (M2, M3, M9, M10)	
NS 0121L00855		BRACKET-DISCONNECT SWITCH (M10)	
NS 0121L01053		BRACKET-SMOKE DETECTOR (M2, M9)	
NS 0130M00065		CIRCUIT BREAKER, CONVENIENCE OUTLET (M3, M9, M10)	
NS 0121L01603NG		CONTROL DOOR (M2, M9)	
NS 0121L00839NG		DISCONNECT COVER (M10)	
NS EHK3-31		ELECTRIC HEATER KIT (M9)	
NS 0121L01601NG		FILTER DOOR (M2, M9)	
NS 0130L00012		GANG BOX-GFCI OUTLET (M2, M3, M9, M10)	
NS 0130L00039		HANDLE, ROTARY (M10)	
NS 0163M00307		HINGE, LEFT HAND (M2, M9)	
NS 0163M00360		LATCH (M2, M9)	
NS 0130M00059		LOW AMBIENT KIT (M2)	
NS 0121L01486NG		PNT, SERVICE DOOR BACK BLOWER (M2, M9)	
NS 0121L01485NG		PNT, SERVICE DOOR FRONT BLOWER (M2, M9)	
NS 0161G00012		POWER OUTLET BOX (M2, M3, M9, M10)	
NS 0130L00103		RECEPTACLE-GFCI OUTLET (M2, M3, M9, M10)	
NS 0121L01484NG		SERVICE DOOR FRAME, BLOWER (M2, M9)	
NS 0130L00043		SHAFT, CUT (M10)	
NS 0130L00049		SHAFT, DISCONNECT (M10)	
NS 0121L00321		SMOKE DETECTOR COVER	
NS D4120		SMOKE DETECTOR, PHOTO 4WIRE (M2, M6)	
NS D4S		SMOKE DETECTOR, SENSOR ONLY (M2, M6)	
NS 0130L00033		SWITCH-DISCONNECT 200A (M10)	
NS 0130M00061		TRANSFORMER, CONVENIENCE OUTLET (M3, M9, M10)	

Expanded Model Nomenclature

M1 - DCC180XXX3VXXXAA
M2 - DCC180XXX4VVDLAB
M3 - DCC180XXX4VXXBAB
M4 - DCC180XXX4VXXXAA
M5 - DCC180XXX4VXXXAB
M6 - DCC180XXX4VXXZAB
M7 - DCC180XXX7VXXXAA
M8 - DCC180XXX7VXXXAB
M9 - DCC1800313VXDPA
M10 - DCC1800463VWXBAA