

Commerical 15 Ton Package Cooling Unit

DCC1800313BHXAAA
DCC1800317BXXCAB
DCC1800464BVDJAB
DCC1800464BVDZAB
DCC1800604BJXFAB
DCC180XXX3BHXBAA
DCC180XXX3BHXXAA
DCC180XXX3BXXXAA
DCC180XXX3BXXXAB
DCC180XXX4BBXXAB
DCC180XXX4BHXXAB
DCC180XXX4BXXXAA
DCC180XXX4BXXXAB
DCC180XXX4BXXXAC
DCC180XXX7BXXXAA
DCC180XXX7BXXXAB



This manual is to be used by qualified technicians only.

This manual replaces RP-D1026H.

Important Information

Index

Functional Parts List	3
Illustration and Parts	4 - 19

Views shown are for parts illustrations only, not servicing procedures.

Text Codes:

AR - As Required

NA - Not Available

NS - Not Shown

00000000 - See Note

QTY - Quantity Example (QTY 3) (If Quantity not shown, Quantity = 1)

M - Model Example (M1) (If M Code not shown, then part is used on all Models)

Expanded Model Nomenclature:

Example
M1 - Model#1
M2 - Model#2
M3 - Model#3

Daikin Company, L.P. is not responsible for personal injury or property damage resulting from improper service. Review all service information before beginning repairs.

Warranty service must be performed by an authorized technician, using authorized factory parts. If service is required after the warranty expires, Daikin Company, L.P. also recommends contacting an authorized technician and using authorized factory parts.

Daikin Company, L.P. reserves the right to discontinue, or change at any time, specifications or designs without notice or without incurring obligations.

For assistance within the U.S.A. contact:

Equipment Support
Daikin North America, LLC
19001 Kermier Road
Waller, Texas 77484
855-770-5678-Telephone
713-863-2382-Facsimile

For assistance outside the U.S.A. contact:

International Division
Daikin North America, LLC
19001 Kermier Road
Waller, Texas 77484
713-861-2500-Telephone
713-863-2382-Facsimile

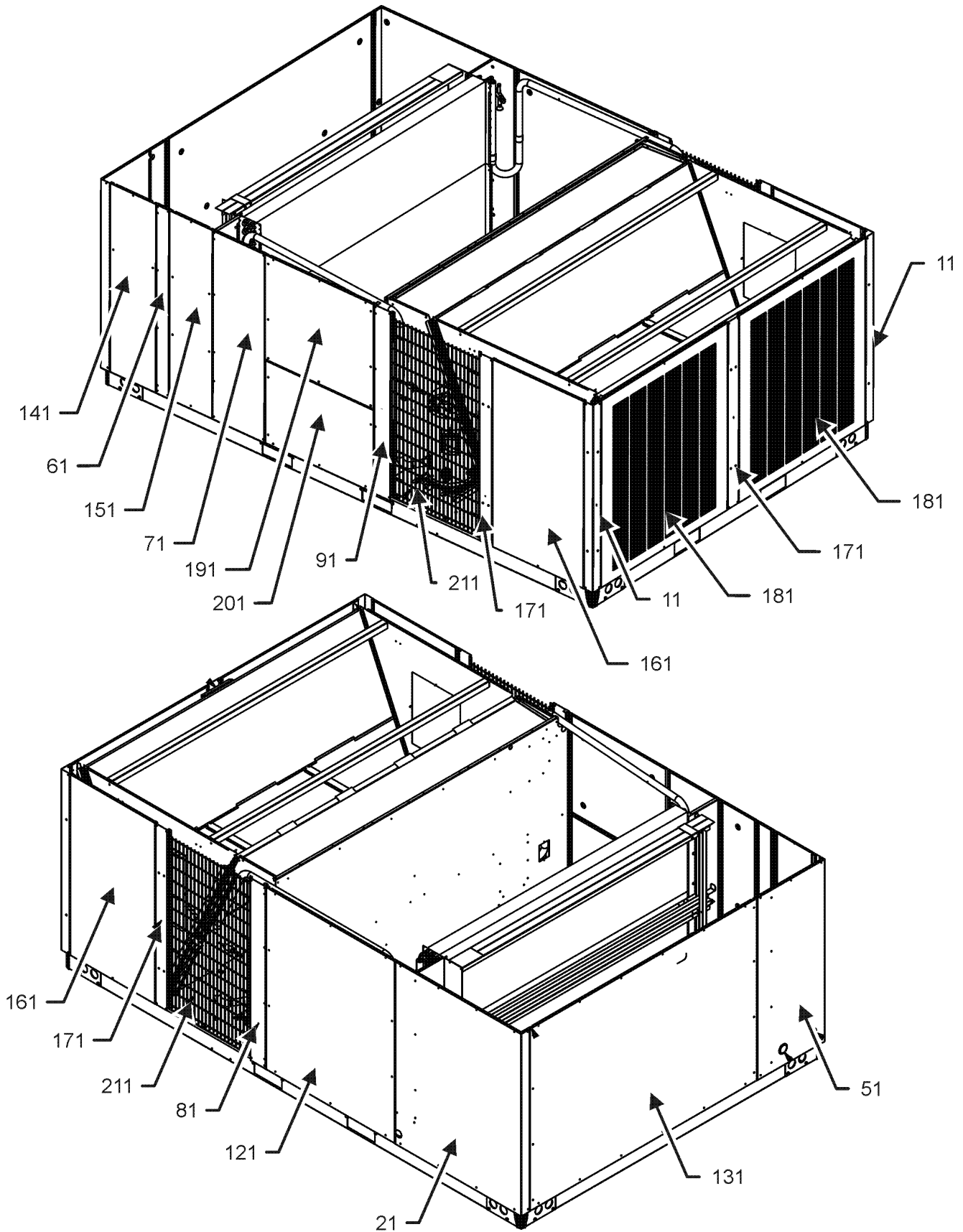
Functional Parts

Part

No: Description:

Part No:	Description:	Part No:	Description:
0271L00026	150-12R BD 1.18 TWIN BLOWER	0130M00148	TRANSFORMER 575V to 24V, 75VA (M10, M11, M13)
0130M00242	24V RELAY (M1, M2, M3, M4, M6, M7, M8, M9, M10, M11, M12, M13, M14, M15, M16)	0151L00011	VALVE, TXV R-410A (QTY 2)
0130M00025	24V RELAY (M1, M2, M3, M4, M6, M7, M8, M9, M10, M11, M12, M13, M14, M15, M16)	Expanded Model Nomenclature	
0130M00249	AUXILLARY SWITCH (M5)	M1 - DCC180XXX3BHXBAA	
B3240004	BELT DRIVE MOTOR 2 HP (M1, M2, M3, M4, M5, M6, M7, M8, M9, M12, M14, M15, M16)	M2 - DCC180XXX3BHXXAA	
0131L00006	BELT DRIVE MOTOR 3 HP 575 V (M10, M11, M13)	M3 - DCC180XXX3BXXXAA	
0130M00042	BLOCK, POWER	M4 - DCC180XXX3BXXXAB	
CAP100000370LA	CAPACITOR 10/370V (M1, M2, M3, M4, M5, M6, M8, M9, M12, M14, M15, M16)	M5 - DCC180XXX4BBXXAB	
CAP050000370LA	CAPACITOR 5/370V (M7, M10)	M6 - DCC180XXX4BHXXAB	
CAP050000440LA	CAPACITOR 5/440V (M11, M13)	M7 - DCC180XXX4BXXXAA	
ZP83KCETF5250	COMPRESSOR 83000, 200/230/60/3 (M1, M2, M3, M4, M12)	M8 - DCC180XXX4BXXXAB	
ZP83KCETFD130	COMPRESSOR 83000, 460/60/3 (M5, M6, M7, M8, M9, M14, M15, M16)	M9 - DCC180XXX4BXXXAC	
ZP83KCETFE130	COMPRESSOR 83000, 575/60/3 (M10, M11, M13)	M10 - DCC180XXX7BXXXAA	
0131M00430	COND MOTOR 1/3 HP, 1 SP, 6 PL (M1, M2, M3, M4, M12)	M11 - DCC180XXX7BXXXAB	
B13400249	COND MOTOR 1/3 HP, 460V (M7)	M12 - DCC1800313BHXAAA	
0131M00179	COND MOTOR 1/3 HP, 6 PL, 575V (M10)	M13 - DCC1800317BXXCAB	
0131M00500	COND MOTOR 1/3 HP, OD, LAK (M11, M13)	M14 - DCC1800464BVDJAB	
CONT3P030024V	CONTACTOR 30 AMP, 3P, 24V (M5, M6, M7, M8, M9, M10, M11, M13, M14, M15, M16)	M15 - DCC1800464BVDZAB	
CONT3P040024V	CONTACTOR 40 AMP, 3P, 24V (M1, M2, M3, M4, M12)	M16 - DCC1800604BJXFAB	
0130L00019	CRANK CASE HEATER, 70W, 575V (M10, M11, M13)		
0130L00017	CRANK CASE HEATER-70W 240V (M1, M2, M3, M4, M12)		
0130L00018	CRANK CASE HEATER-70W, 480V (M5, M6, M7, M8, M9, M14, M15, M16)		
PCBCG100	DDC Controller (M5)		
0130L00112	DUCT TEMPERATURESENSOR-OE230-G (M5)		
PCBFM103	ELECTRONIC BLOWER TIME DELAY (M1, M2, M3, M4, M6, M7, M8, M9, M10, M11, M12, M13, M14, M15, M16)		
0164L00006	FAN BELT, NOTCHED (M7)		
0164L00004	FAN BELT-NOTCHED (M1, M2, M3, M4, M5, M6, M8, M9, M10, M11, M12, M13, M14, M15, M16)		
10625733	FAN BLADE 22" ALUM CCW (QTY 3)		
0130M00074	HIGH PRESSURE SWITCH (QTY 2)		
0130M00087	LOW PRESSURE SWITCH (QTY 2)		
0121L00557	MOTOR ADJUST BRACKET (M7)		
0131M00774	MOTOR, 1/3 HP, OD (M5, M6, M8, M9, M14, M15, M16)		
0130L00108	OUTDOOR AIRTEMP SENSOR-OE250-G (M5)		
0130L00107	ROOM SENSOR-OE213-G (M5)		
B1368250	TERMINAL BLOCK (HIGH VOLTAGE)		
0130M00274	TERMINAL BOARD (M5)		
0130M00275	TERMINAL BOARD (M5)		
0130M00038	TERMINAL BOARD (M1, M2, M3, M4, M6, M7, M8, M9, M10, M11, M12, M13, M14, M15, M16)		
0130M00144	TRANSFORMER (M1, M2, M3, M4, M12)		
0130M00145	TRANSFORMER 480V to 24V, 75VA (M5, M6, M7, M8, M9, M14, M15, M16)		

Cabinet Assembly



Cabinet Assembly

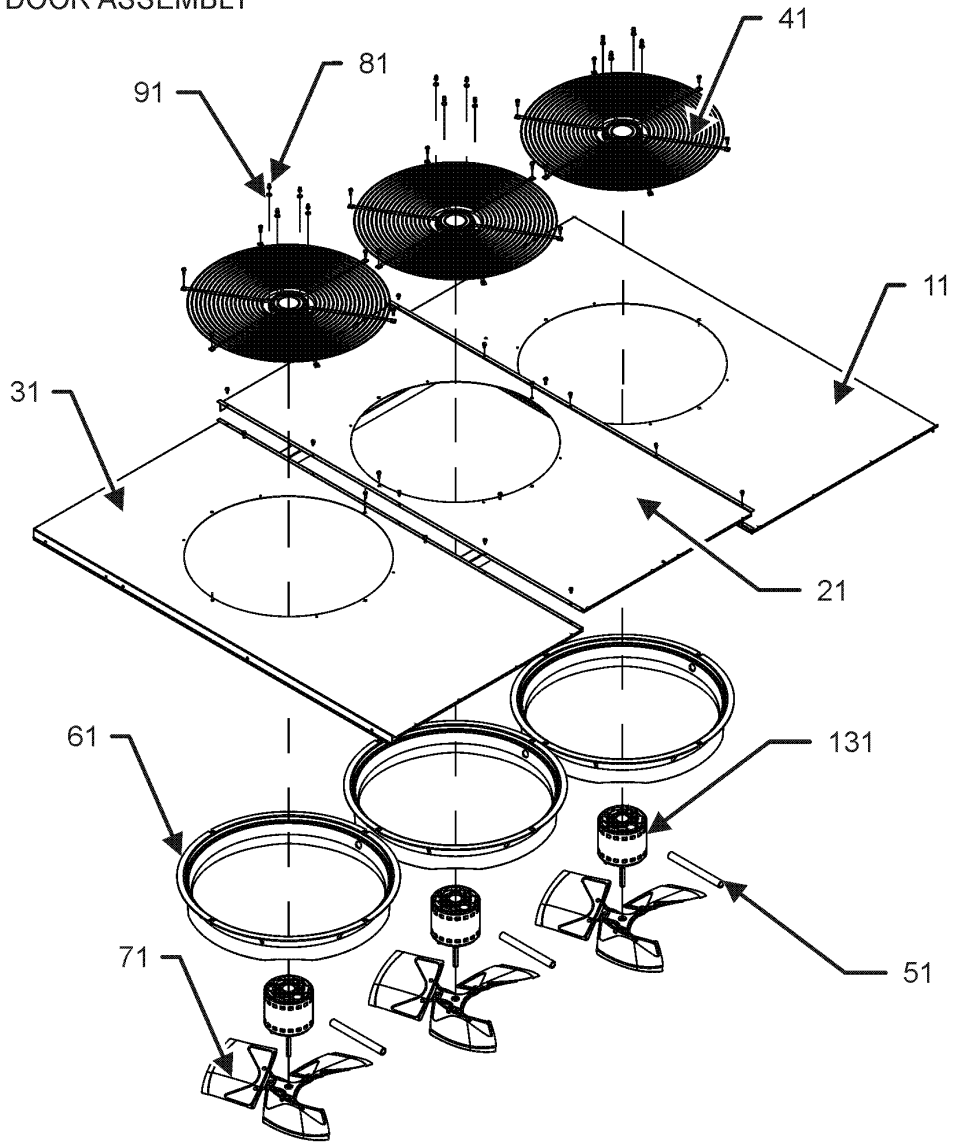
Ref. Part No:	Ref. Part No:	Description:	Description:
Image 1:			
11	0121L01143NG	POST, CORNER (QTY 2)	
21	0121L00681NG	PAINTED EVAP PANEL	
51	0121L00679NG	CONTROL CORNER PANEL (M3, M4, M5, M7, M8, M9, M10, M11, M13)	
51	0121L01473NG	CONTROL CORNER PANEL (M15)	
51	0121L01902NG	CONTROL COVER PANEL (M14)	
51	0121L00800NG	DUCT PANEL (M1, M2, M6, M12, M16)	
61	0121L02048NG	PNT, POST-CONTROL /FILTER (M1, M2, M3, M4, M5, M6, M7, M8, M9, M10, M11, M12, M13, M16)	
61	0121L01937NG	PNT. POST-CONTROL.FILTER (M14, M15)	
71	0121L01479NG	PNT, POST/BLOWER DOOR (M14, M15)	
71	0121L00710NG	POST/BLOWER DOOR	
81	0121L00903NG	POST PARTITION-EVAP SIDE (M1, M2, M3, M4, M5, M6, M7, M8, M9, M10, M11, M12, M13, M16)	
91	0121L01480NG	PNT,POST- PARTITION, (COOL) HT (M14, M15)	
91	0121L00906NG	POST-PARTITION, (COOL) HT (M1, M2, M3, M4, M5, M6, M7, M8, M9, M10, M11, M12, M13, M16)	
121	0121L00685NG	BLOWER DOOR-EVAP SIDE	
131	0121L00688NG	ACCESSORY PANEL	
141	0121L00687NG	CONTROL DOOR (M1, M2, M3, M4, M5, M6, M7, M8, M9, M10, M11, M12, M13, M16)	
141	0121L01603NG	CONTROL DOOR (M14, M15)	
151	0121L00686NG	FILTER DOOR (M1, M2, M3, M4, M5, M6, M7, M8, M9, M10, M11, M12, M13, M16)	
151	0121L01601NG	FILTER DOOR (M14, M15)	
161	0121L00907NG	PANEL-COND SIDE (QTY 2)	
171	0121L01144NG	POST, COND PANEL (QTY 3)	
181	0121L01174NG	PANEL, LOUVER END PNT (QTY 2)	
191	0121L00713NG	BLOWER DOOR-GAS SIDE	
201	0121L00708NG	DOOR-ELECTRIC HEAT	
211	0152L00000	GRILLE-CONDENSER (QTY 2)	
NS	M0204317	SCREW-MACHINE (QTY 18)	
NS	0121L00476NG	TURNBUCKLE DOOR (QTY 18)	

Expanded Model Nomenclature

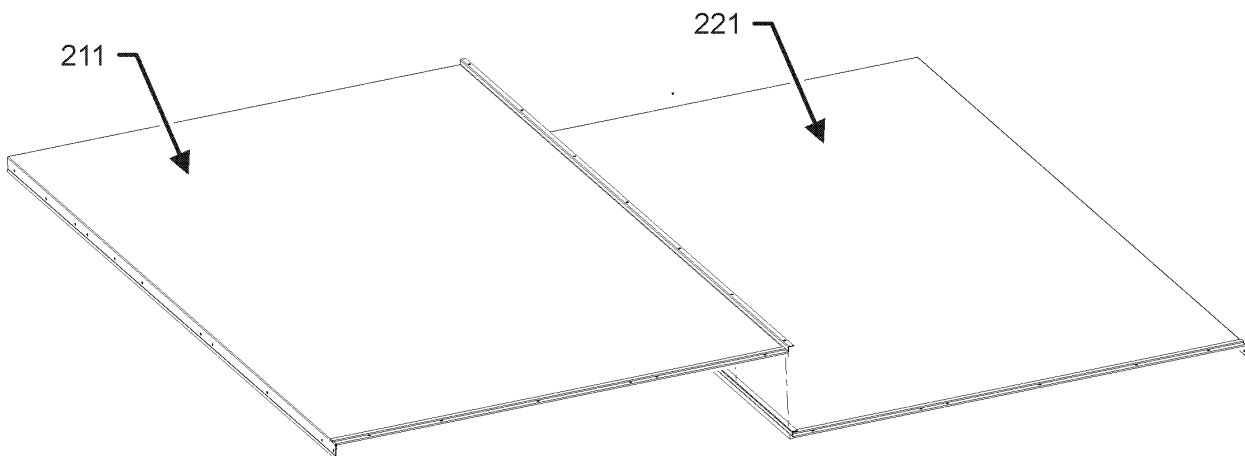
M1 - DCC180XXX3BHXBAA
M2 - DCC180XXX3BHXXAA
M3 - DCC180XXX3BXXXXAA
M4 - DCC180XXX3BXXXAB
M5 - DCC180XXX4BBXXAB
M6 - DCC180XXX4BHXXAB
M7 - DCC180XXX4BXXXXAA
M8 - DCC180XXX4BXXXAB
M9 - DCC180XXX4BXXXXAC
M10 - DCC180XXX7BXXXXAA
M11 - DCC180XXX7BXXXAB
M12 - DCC1800313BHAAAA
M13 - DCC1800317BXXCAB
M14 - DCC1800464BVDJAB
M15 - DCC1800464BVDZAB
M16 - DCC1800604BJXFAB

Top Panel Assembly

TOP PANEL OUTDOOR ASSEMBLY



TOP PANEL INDOOR ASSEMBLY



Top Panel Assembly

Ref. Part No:	Part No:	Description:	Ref. Part No:	Part No:	Description:
---------------	----------	--------------	---------------	----------	--------------

Image 1:

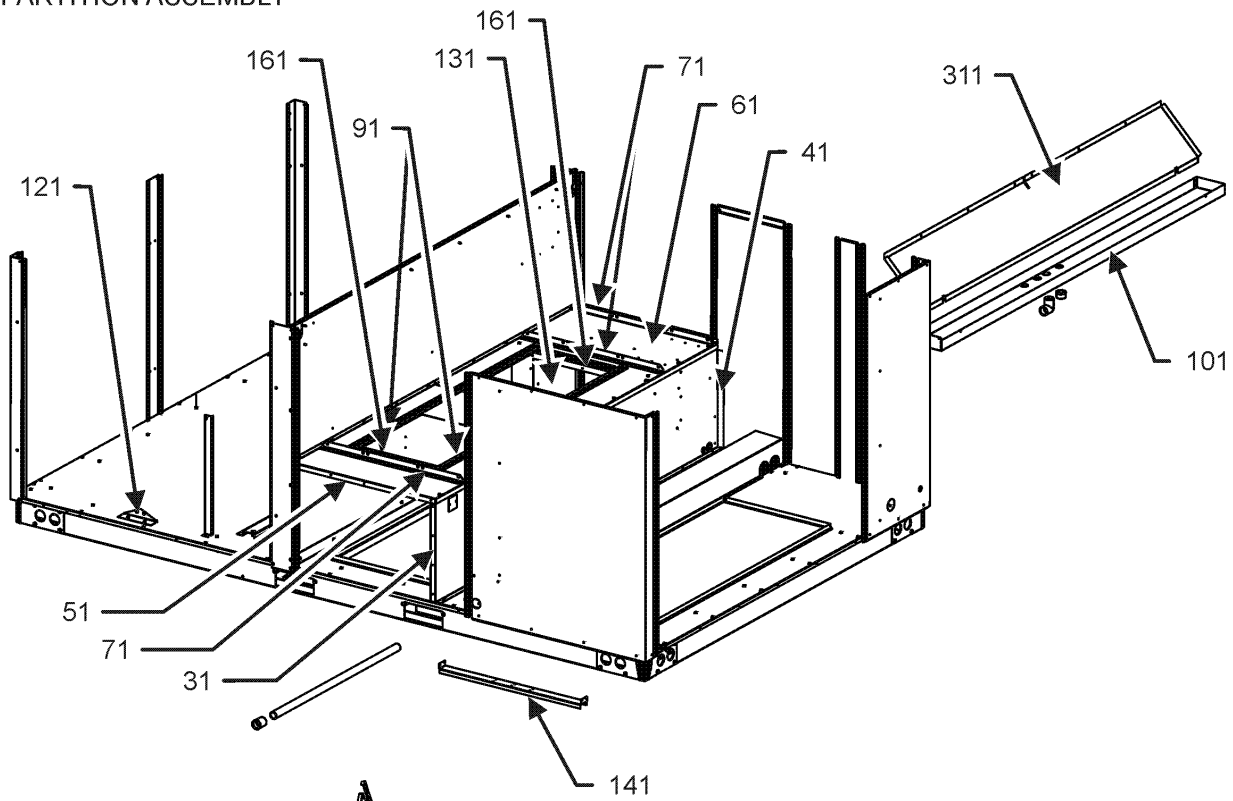
11	0121L01038NG	PNT, TOP-FAN, CONTROL SIDE
21	0121L01039NG	PNT, TOP-FAN, CENTER
21	0121L01039NG	TOP-FAN, CENTER
31	0121L01040NG	PNT, TOP-FAN, EVAP SIDE
31	0121L01040NG	TOP-FAN, EVAP SIDE
41	0152G00003	FAN GRILLE (QTY 3)
51	17788000083F	PVC CONDUIT 8.25" (QTY 3)
61	0161L00000	VENTURI RING 22" (QTY 3)
71	10625733	FAN BLADE 22" ALUM CCW (QTY 3)
81	0163M00006P	ACORN NUT 5/16 HEX BLACK (QTY 12)
91	0163M00005P	WASHER BLACK (.50 OD .218ID) (QTY 12)
101	0163M00004	SCREW #10X3/4", BLACK (QTY 2)
131	0131M00430	COND MOTOR 1/3 HP, 1 SP, 6 PL (M1, M2, M3, M4, M12)
131	B13400249	COND MOTOR 1/3 HP, 460V (M7)
131	0131M00179	COND MOTOR 1/3 HP, 6 PL, 575V (M10)
131	0131M00500	COND MOTOR 1/3 HP, OD, LAK (M11, M13)
131	0131M00774	MOTOR, 1/3 HP, OD (M5, M6, M8, M9, M14, M15, M16)
211	0121L00693NG	TOP, CONTROL SIDE
221	0121L00694NG	TOP, EVAP SIDE
NS	M0272803	WASHER-LOCK (M1, M2, M3, M4, M12)

Expanded Model Nomenclature

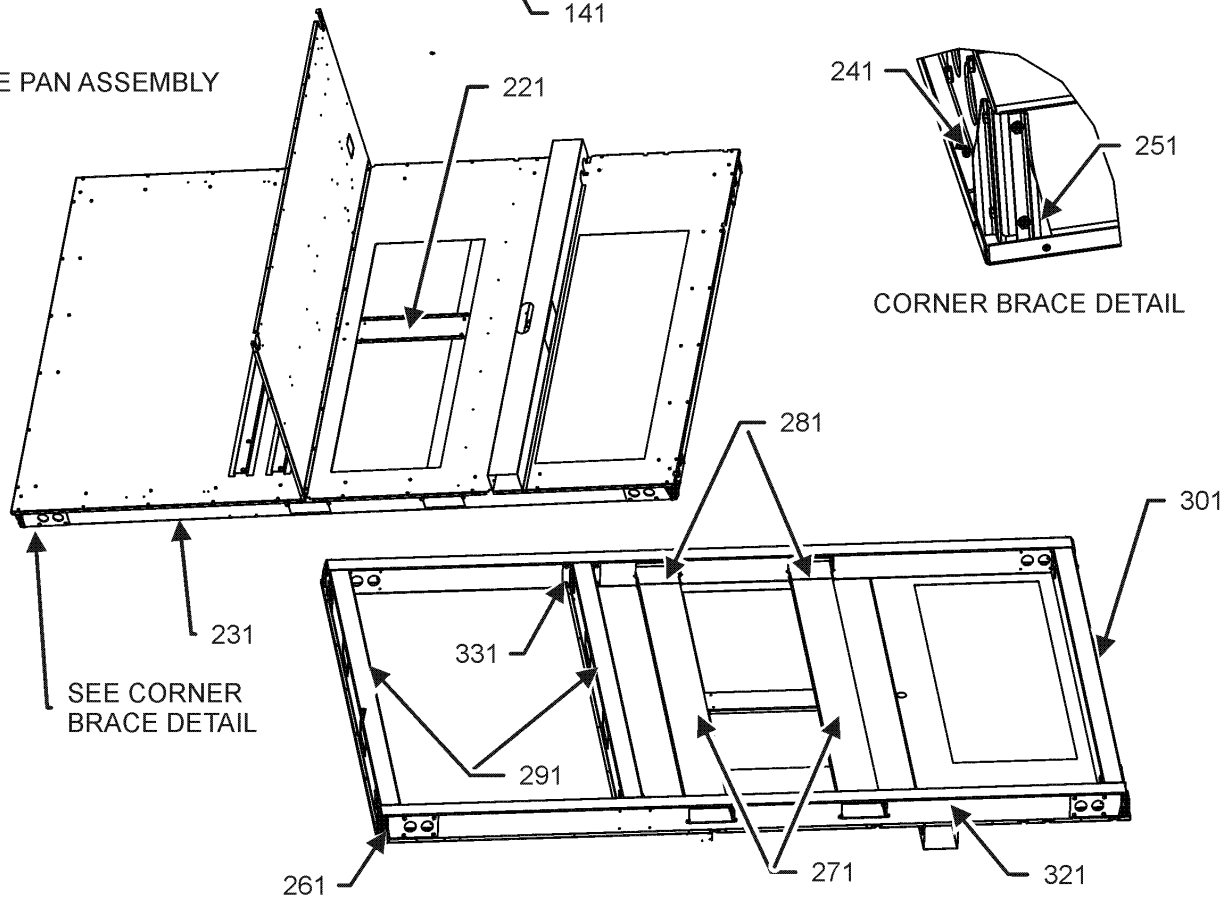
- M1 - DCC180XXX3BHXBA A
- M2 - DCC180XXX3BHXXA A
- M3 - DCC180XXX3BXXXXA A
- M4 - DCC180XXX3BXXXXA B
- M5 - DCC180XXX4BBXXA B
- M6 - DCC180XXX4BHXXA B
- M7 - DCC180XXX4BXXXXA A
- M8 - DCC180XXX4BXXXXA B
- M9 - DCC180XXX4BXXXXA C
- M10 - DCC180XXX7BXXXXA A
- M11 - DCC180XXX7BXXXXA B
- M12 - DCC1800313BHXAAA
- M13 - DCC1800317BXXCAB
- M14 - DCC1800464BVDJAB
- M15 - DCC1800464BVDZAB
- M16 - DCC1800604BJXFAB

Partition / Base Pan Assembly

PARTITION ASSEMBLY



BASE PAN ASSEMBLY



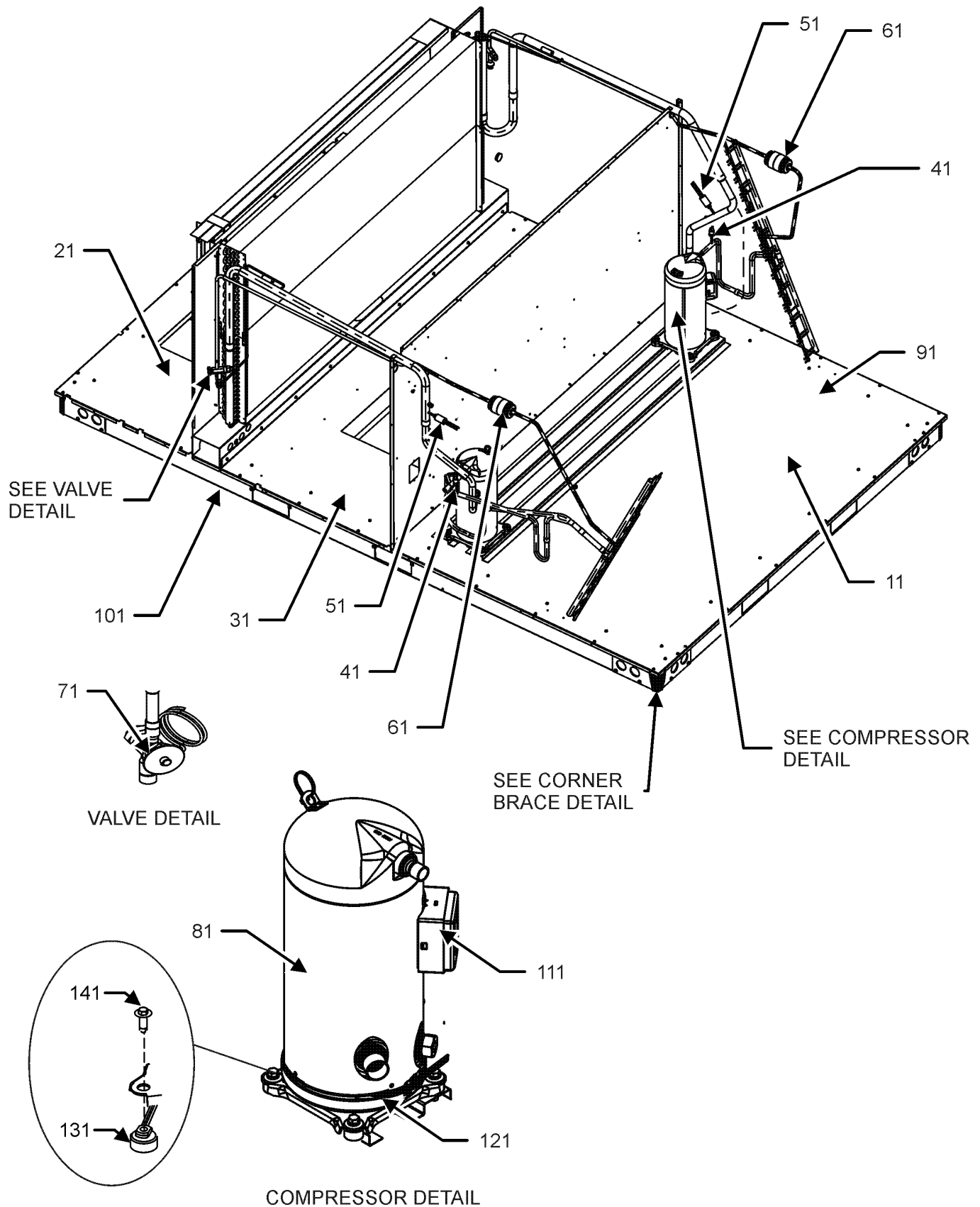
Partition / Base Pan Assembly

Ref. Part No:	No:	Description:	Ref. Part No:	No:	Description:
<i>Image 1:</i>					
31	0121L01163	DECK, SIDE DUCT END			
41	0121L01162	DECK, SIDE HEAT END			
51	0121L00652	BLOWER DECK, EVAP SIDE			
61	0121L00653	BLOWER DECK, MOTOR SIDE			
71	0121L01431	MOTOR MOUNT ANGLE (QTY 3)			
91	0121L00478	BLOWER DECK RAIL (QTY 2)			
101	0121L01130	DRAIN PAN, EVAPORATOR			
121	0121L00913	BRACKET-COND/BASEPAN (QTY 2)			
131	0121L00591	ELECTRIC HEAT MOUNTING PLATE			
141	0121L00592	ELECTRIC HEAT SUPPORT			
161	0121L00481	BLOWER RAIL (QTY 2)			
221	0121L00605	FORK BOARD PLATE			
231	0121L00720	SIDE RAIL			
241	0121L00616	RAIL BRACE ANGLE, RIGHT (QTY 4)			
251	0121L00617	RAIL BRACE ANGLE, LEFT (QTY 4)			
261	0121L00723	BASE RAIL CORNER BRACE (QTY 4)			
271	0141L00029	FORK BOARD (QTY 2)			
281	0121L00724	FORK BOARD BRACKET (QTY 4)			
291	0121L00721	BASE RAIL, CONDENSER END (QTY 2)			
301	0121L00722	BASE RAIL, ACCESSORY END			
311	0121L01158	SHIELD, BLOWOFF			
321	0121L00719	CONTROL SIDE BASE RAIL			
331	0121L00625	COMPRESSOR RAIL BRACKET (QTY 4)			
NS	0121L00901	BRACE-COND COILS (QTY 2)			
NS	0121L00593	FLUE HOLE COVER			
NS	0164G00004	GROMMET-HORSESHOE 1.75 (QTY 2)			
NS	0121L00321	SMOKE DETECTOR COVER			

Expanded Model Nomenclature

- M1 - DCC180XXX3BHXBAA
- M2 - DCC180XXX3BHXXAA
- M3 - DCC180XXX3BXXXAA
- M4 - DCC180XXX3BXXXAB
- M5 - DCC180XXX4BBXXAB
- M6 - DCC180XXX4BHXXAB
- M7 - DCC180XXX4BXXXAA
- M8 - DCC180XXX4BXXXAB
- M9 - DCC180XXX4BXXXAC
- M10 - DCC180XXX7BXXXAA
- M11 - DCC180XXX7BXXXAB
- M12 - DCC1800313BHXAAA
- M13 - DCC1800317BXXCAB
- M14 - DCC1800464BVDJAB
- M15 - DCC1800464BVDZAB
- M16 - DCC1800604BJXFAB

Compressor / Tubing Assembly



Compressor / Tubing Assembly

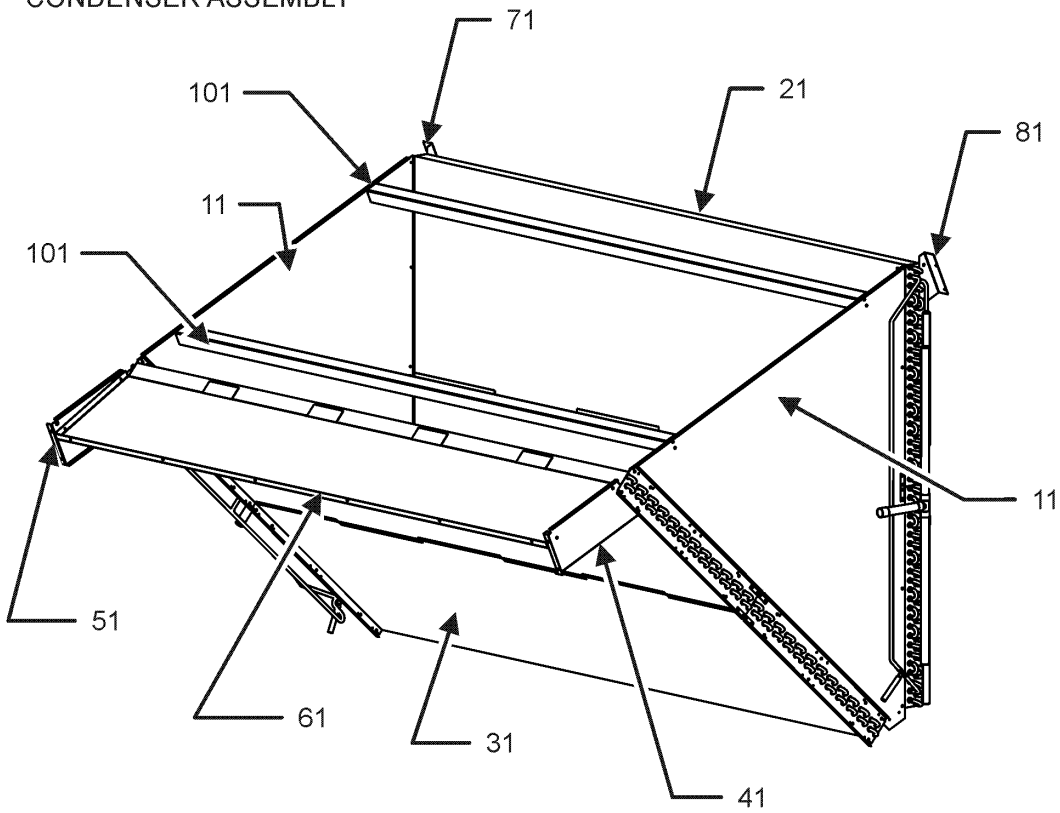
Ref. Part No:	Ref. Part No:	Description:	Description:
Image 1:			
11	0121L00902	BASEPAN-OUTDOOR	
21	0121L00947	BASEPAN-RETURN	
31	0121L00948	BASEPAN-SUPPLY	
41	0130M00074	HIGH PRESSURE SWITCH (QTY 2)	
51	0130M00087	LOW PRESSURE SWITCH (QTY 2)	
61	0151M00012	BI-FLOW FILTER DRIER (QTY 2)	
71	0151L00011	VALVE, TXV R-410A (QTY 2)	
81	ZP83KCETF5250	COMPRESSOR 83000, 200/230/60/3 (M1, M2, M3, M4, M12)	
81	ZP83KCETFD130	COMPRESSOR 83000, 460/60/3 (M5, M6, M7, M8, M9, M14, M15, M16)	
81	ZP83KCETFE130	COMPRESSOR 83000, 575/60/3 (M10, M11, M13)	
91	0121L00720	SIDE RAIL	
101	0121L00719	CONTROL SIDE BASE RAIL	
111	0159L00020	COMPRESSOR SCROLL HARNESS (M1, M2, M3, M4, M12)	
111	0159L00021	COMPRESSOR SCROLL HARNESS (M1, M2, M3, M4, M12)	
111	0159L00071	Harness, comp scroll (M5, M6, M7, M8, M9, M10, M11, M13, M14, M15, M16)	
111	0159L00070	Harness, compmpressor 460V (M5, M6, M7, M8, M9, M10, M11, M13, M14, M15, M16)	
121	0130L00019	CRANK CASE HEATER, 70W, 575V (M10, M11, M13)	
121	0130L00017	CRANK CASE HEATER-70W 240V (M1, M2, M3, M4, M12)	
121	0130L00018	CRANK CASE HEATER-70W, 480V (M5, M6, M7, M8, M9, M14, M15, M16)	
131	0164M00018	COMPRESSOR GROMMET (QTY 8)	
141	B1393740	COMPRESSOR BOLT & SLEEVE (QTY 8)	
NS	0163M00175	CAP WITH O-RING (QTY 4)	

Expanded Model Nomenclature

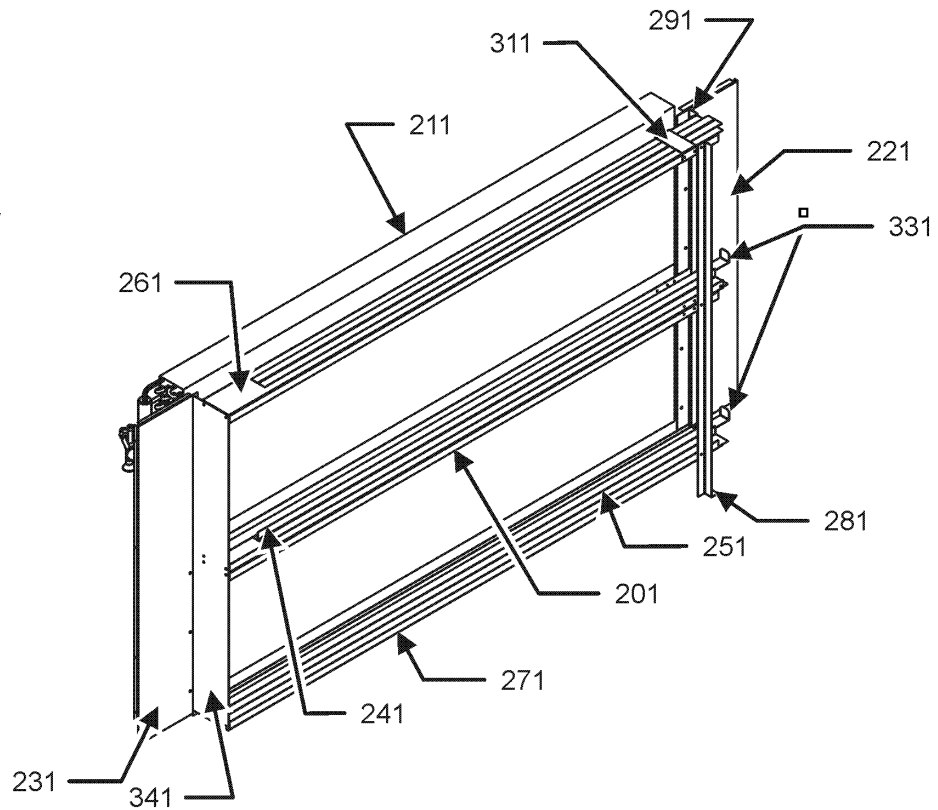
M1 - DCC180XXX3BHXBAA
M2 - DCC180XXX3BHXXAA
M3 - DCC180XXX3BXXXAA
M4 - DCC180XXX3BXXXAB
M5 - DCC180XXX4BBXXAB
M6 - DCC180XXX4BHXXAB
M7 - DCC180XXX4BXXXAA
M8 - DCC180XXX4BXXXAB
M9 - DCC180XXX4BXXXAC
M10 - DCC180XXX7BXXXAA
M11 - DCC180XXX7BXXXAB
M12 - DCC1800313BHXAAA
M13 - DCC1800317BXXCAB
M14 - DCC1800464BVDJAB
M15 - DCC1800464BVDZAB
M16 - DCC1800604BJXFAB

Condenser / Evaporator Assembly

CONDENSER ASSEMBLY



EVAPORATOR ASSEMBLY



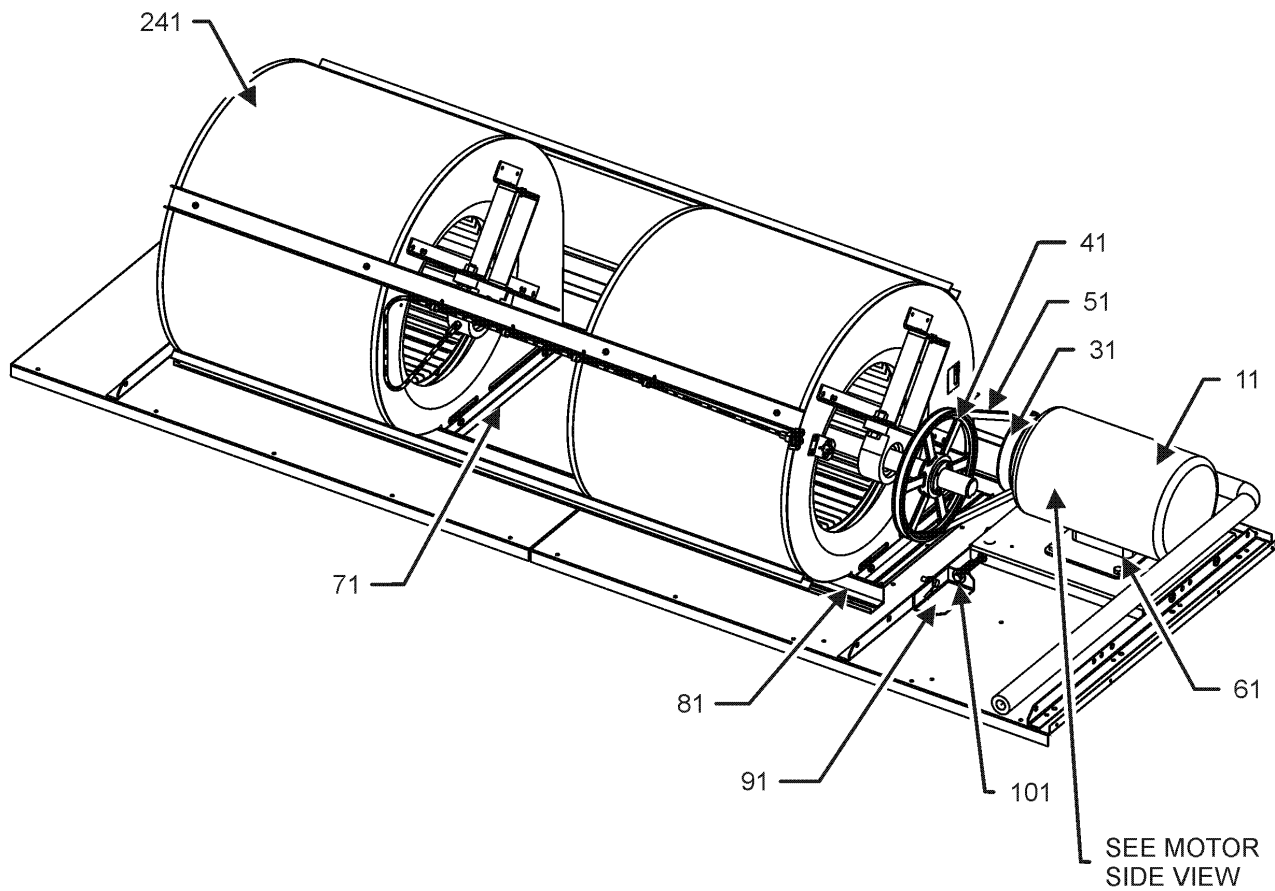
Condenser / Evaporator Assembly

Ref. Part No:	Ref. Part No:	Description:	Description:
Image 1:			
11	0121L00854	END COVER-CONDENSER (QTY 2)	
21	0201L00123	CONDENSER COIL ASSY, C1	
31	0201L00124	CONDENSER COIL ASSY C2	
41	0121L01154	BRACKET, CONDENSER END C1	
51	0121L01156	BRACKET, CONDENSER END C2	
61	0121L00572	CONDENSER BLOCKOFF, INSIDE TOP	
71	0121L01153	BRACKET, COND/POST C2	
81	0121L01155	BRACKET, COND/POST C1	
101	0121L01037	ANGLE, TOP BRACE (QTY 2)	
201	0270L00230	CENTER FILTER RACK (M7)	
201	0270L00658	CENTER FILTER RACK (M1, M2, M3, M4, M5, M6, M8, M9, M10, M11, M12, M13, M14, M15, M16)	
211	0202L00047	EVAPORATOR COIL ASSY (QTY 2)	
221	0121L00698	EVAPORATOR BLOCKOFF PANEL	
231	0121L00848	PANEL-EVAPORATOR, SMOKE DET	
241	0121L00633	CENTER SLIDER (M7)	
251	0121L00627	BOTTOM SLIDER (M7)	
261	0121L00629	TOP FILTER RACK (M7)	
261	0121L01180	TOP FILTER RACK (M1, M2, M3, M4, M5, M6, M8, M9, M10, M11, M12, M13, M14, M15, M16)	
271	0121L00701	BOTTOM FILTER RACK (M7)	
271	0121L01179	BOTTOM FILTER RACK (M1, M2, M3, M4, M5, M6, M8, M9, M10, M11, M12, M13, M14, M15, M16)	
281	0121L00632	FILTER SUPPORT ANGLE	
291	0121L00702	RIGHT SIDE BLOCKOFF, FILTER RACK (M7)	
291	0121L01508	RIGHT SIDE BLOCKOFF, FILTER RACK (M1, M2, M3, M4, M5, M6, M8, M9, M10, M11, M12, M13, M14, M15, M16)	
311	0121L00634	TOP ANGLE BRACKET (M7)	
331	0121L00640	FILTER PULL (QTY 2)	
341	0121L00933	ANGLE-FILTER, LEFT VERTICAL	
NS	0160L00137	Air Filter 20x25x2 (QTY 6)	
NS	0121L00703	BOTTOM BLOCKOFF, FILTER RACK	

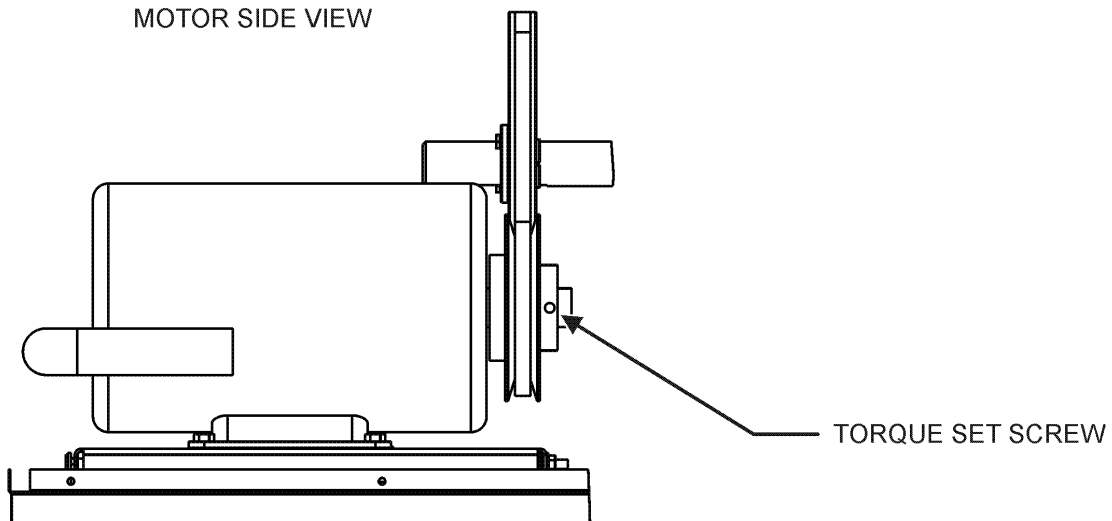
Expanded Model Nomenclature

M1 - DCC180XXX3BHXBA A
M2 - DCC180XXX3BHXXA A
M3 - DCC180XXX3BXXXA A
M4 - DCC180XXX3BXXXA B
M5 - DCC180XXX4BBXXA B
M6 - DCC180XXX4BHXXA B
M7 - DCC180XXX4BXXXA A
M8 - DCC180XXX4BXXXA B
M9 - DCC180XXX4BXXXA C
M10 - DCC180XXX7BXXXA A
M11 - DCC180XXX7BXXXA B
M12 - DCC1800313BHXA A A
M13 - DCC1800317BXXC A B
M14 - DCC1800464BVDJ A B
M15 - DCC1800464BVDZ A B
M16 - DCC1800604BJXF A B

Belt Drive Blower Assembly



MOTOR SIDE VIEW



Belt Drive Blower Assembly

Ref. Part No:	Part No:	Description:	Ref. Part No:	Part No:	Description:
---------------	----------	--------------	---------------	----------	--------------

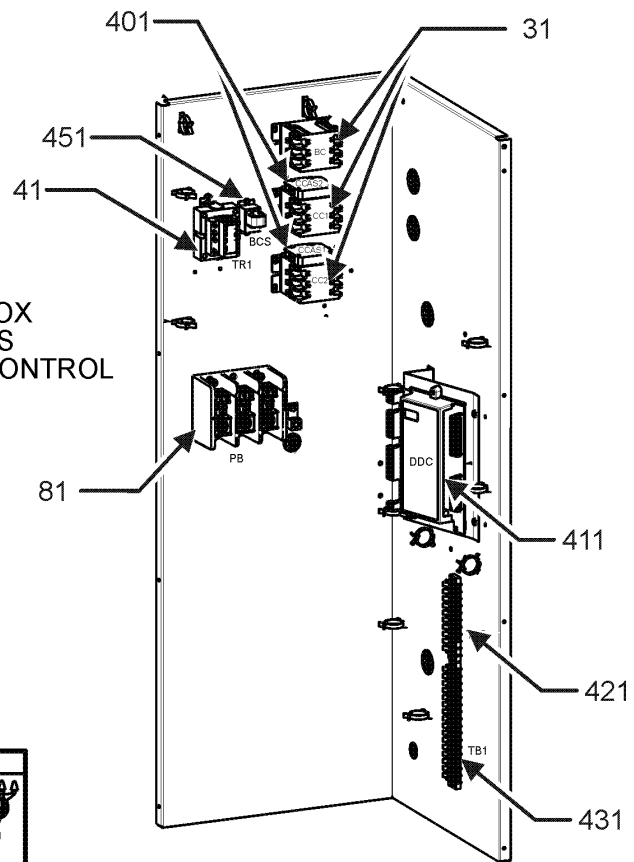
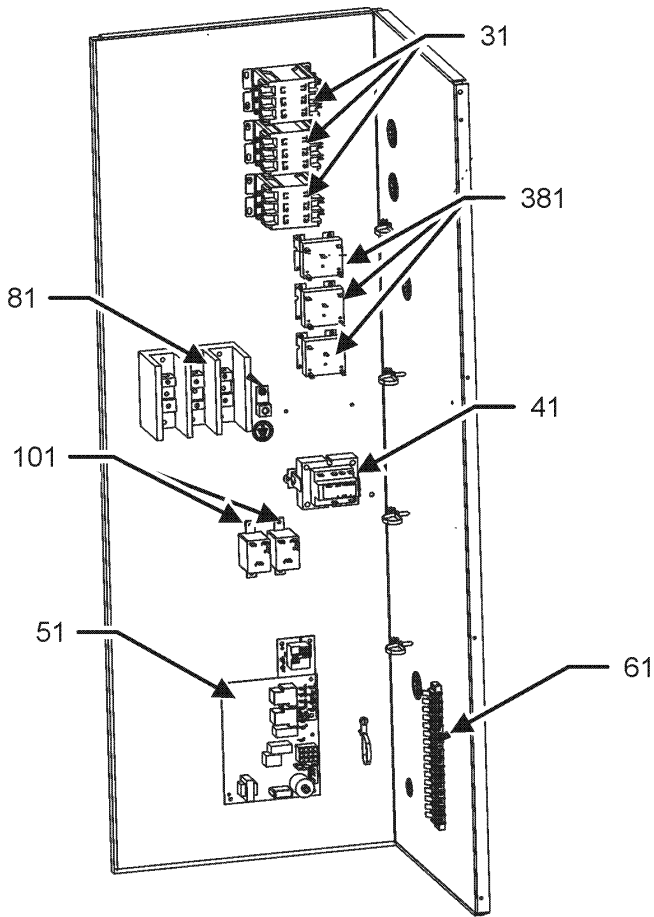
Image 1:

11	B3240004	BELT DRIVE MOTOR 2 HP (M1, M2, M3, M4, M5, M6, M7, M8, M9, M12, M14, M15, M16)
11	0131L00006	BELT DRIVE MOTOR 3 HP 575 V (M10, M11, M13)
31	B2120013	VARIABLE PITCH SHEAVE 1VP50
41	0163L00139	SHEAVE, FIXED BK100H
51	0164L00006	FAN BELT, NOTCHED (M7)
51	0164L00004	FAN BELT-NOTCHED (M1, M2, M3, M4, M5, M6, M8, M9, M10, M11, M12, M13, M14, M15, M16)
61	0121L00555	MOTOR BASE PLATE (M7)
71	0121L00482	BLOWER SIDE ANGLE (QTY 4)
81	0121L00654	BLOWER RAIL (QTY 2)
91	0121L01429	BRACKET, DRIVE SCREW (M1, M2, M3, M4, M5, M6, M8, M9, M10, M11, M12, M13, M14, M15, M16)
101	0163M00351	BOLT, 3/8-16-6 (M1, M2, M3, M4, M5, M6, M8, M9, M10, M11, M12, M13, M14, M15, M16)
241	0271L00026	150-12R BD 1.18 TWIN BLOWER
NS	0121L00557	MOTOR ADJUST BRACKET (M7)

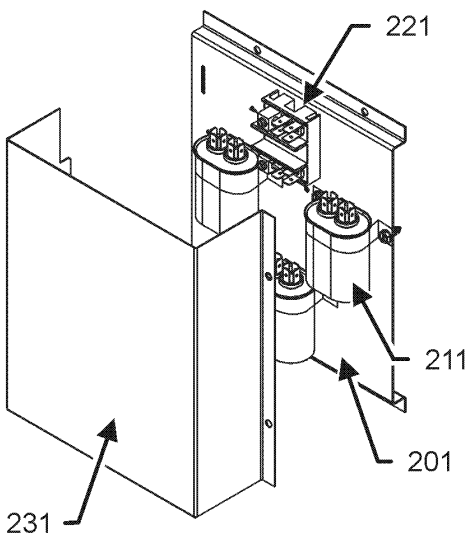
Expanded Model Nomenclature

M1 - DCC180XXX3BHXBAA
M2 - DCC180XXX3BHXXAA
M3 - DCC180XXX3BXXXAA
M4 - DCC180XXX3BXXXAB
M5 - DCC180XXX4BBXXAB
M6 - DCC180XXX4BHXXAB
M7 - DCC180XXX4BXXXAA
M8 - DCC180XXX4BXXXAB
M9 - DCC180XXX4BXXXAC
M10 - DCC180XXX7BXXXAA
M11 - DCC180XXX7BXXXAB
M12 - DCC1800313BHAAAA
M13 - DCC1800317BXXCAB
M14 - DCC1800464BVDJAB
M15 - DCC1800464BVDZAB
M16 - DCC1800604BJXFAB

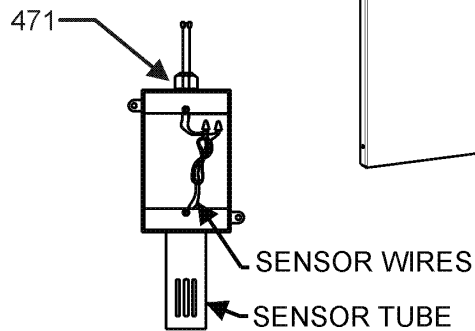
Control Box Assembly



CONTROL BOX FOR MODELS WITH DDC CONTROL



CAPACITOR ASSEMBLY



FRONT VIEW

Control Box Assembly

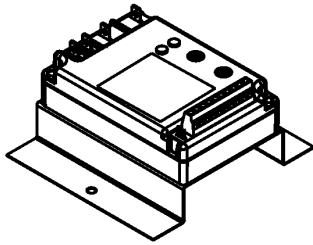
Ref. Part No:	Ref. Part No:	Description:	Description:
Image 1:		Expanded Model Nomenclature	
31	CONT3P030024V	CONTACTOR 30 AMP, 3P, 24V (M5, M6, M7, M8, M9, M10, M11, M13, M14, M15, M16)	M1 - DCC180XXX3BHXBAA M2 - DCC180XXX3BHXXAA M3 - DCC180XXX3BXXXAA M4 - DCC180XXX3BXXXAB M5 - DCC180XXX4BBXXAB M6 - DCC180XXX4BHXXAB M7 - DCC180XXX4BXXXAA M8 - DCC180XXX4BXXXAB M9 - DCC180XXX4BXXXAC M10 - DCC180XXX7BXXXAA M11 - DCC180XXX7BXXXAB M12 - DCC1800313BHXAAA M13 - DCC1800317BXXCAB M14 - DCC1800464BVDJAB M15 - DCC1800464BVDZAB M16 - DCC1800604BJXFAB
31	CONT3P040024V	CONTACTOR 40 AMP, 3P, 24V (M1, M2, M3, M4, M12)	
41	0130M00144	TRANSFORMER (M1, M2, M3, M4, M12)	
41	0130M00145	TRANSFORMER 480V to 24V, 75VA (M5, M6, M7, M8, M9, M14, M15, M16)	
41	0130M00148	TRANSFORMER 575V to 24V, 75VA (M10, M11, M13)	
51	PCBFM103	ELECTRONIC BLOWER TIME DELAY (M1, M2, M3, M4, M6, M7, M8, M9, M10, M11, M12, M13, M14, M15, M16)	
61	0130M00038	TERMINAL BOARD (M1, M2, M3, M4, M6, M7, M8, M9, M10, M11, M12, M13, M14, M15, M16)	
81	0130M00042	BLOCK, POWER	
101	0130M00242	24V RELAY (M1, M2, M3, M4, M6, M7, M8, M9, M10, M11, M12, M13, M14, M15, M16)	
381	0130M00025	24V RELAY (M1, M2, M3, M4, M6, M7, M8, M9, M10, M11, M12, M13, M14, M15, M16)	
401	0130M00249	AUXILLARY SWITCH (M5)	
411	PCBCG100	DDC Controller (M5)	
421	0130M00274	TERMINAL BOARD (M5)	
431	0130M00275	TERMINAL BOARD (M5)	
451	0259L00368	CURRENT SWITCH WITH TERMS (M5)	
471	0130L00108	OUTDOOR AIRTEMP SENSOR-OE250-G (M5)	
NS	0259L00118	CONDENSER FAN HARNESS, LONG	
NS	0259L00117	CONDENSER FAN HARNESS, MEDIUM	
NS	0259L00116	CONDENSER FAN HARNESS, SHORT	
NS	0130L00112	DUCT TEMPERATURESENSOR-OE230-G (M5)	
NS	0259L00398	HARN, COMP1-CCH-HPS-LPS (M5)	
NS	0259L00392	HARN, DCC 10 PIN CONN (M5)	
NS	0259L00432	HARN, DDC 12 PIN CONN (M5)	
NS	0259L00389	HARN, DDC 2 PIN CONN (M5)	
NS	0259L00390	HARN, DDC 6 PIN CONN (M5)	
NS	0259L00391	HARN, DDC 8 PIN CONN (M5)	
NS	0259L00395	HARN, TR1 PWR CNTL (M5)	
NS	0259L00101	HARNESS, BELT DRIVE MOTOR	
NS	0259L00106	HARNESS, CONTROL AC	
NS	0259L00164	HARNESS, ECONOMIZER AC	
NS	0259L00107	HARNESS, E-HEAT	
NS	0259L00092	HARNESS-SMOKE DETECTOR SENSOR (M14, M15)	
NS	0130L00107	ROOM SENSOR-OE213-G (M5)	
NS	0259L00090	WIRE HARNESS-SMOKE DETECTOR (M14, M15)	
Image 2:			
202	0121L00585	CAPACITOR MOUNTING PLATE	
212	CAP100000370LA	CAPACITOR 10/370V (M1, M2, M3, M4, M5, M6, M8, M9, M12, M14, M15, M16)	
212	CAP050000370LA	CAPACITOR 5/370V (M7, M10)	
212	CAP050000440LA	CAPACITOR 5/440V (M11, M13)	
222	B1368250	TERMINAL BLOCK (HIGH VOLTAGE)	
232	0121L00586	CAPACITOR COVER	
NS	20520901	CAPACITOR STRAP (QTY 3)	

Accessory Parts List

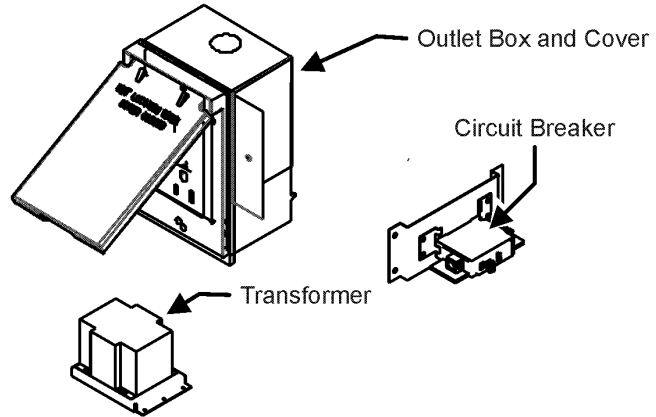
ACCESSORY PARTS LIST

NOTE: NOT ALL OPTIONS AVAILABLE FOR ALL PRODUCTS

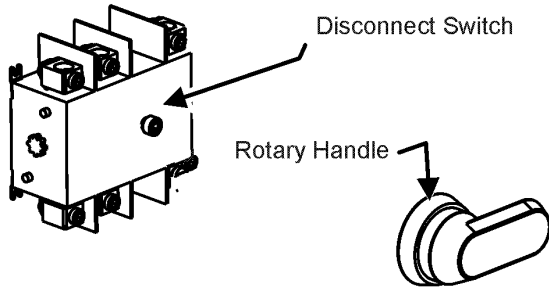
1 LOW AMBIENT KITS



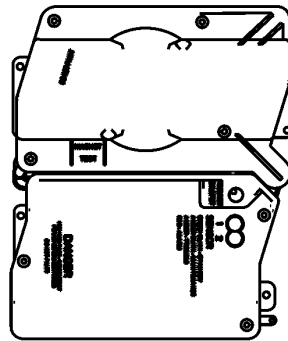
2 GFCI CONVENIENCE OUTLET



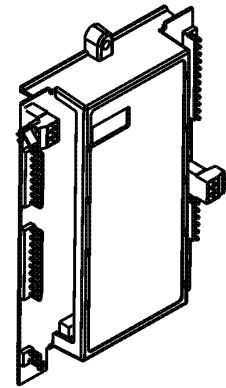
3 DISCONNECT MODULE (NON-FUSED)



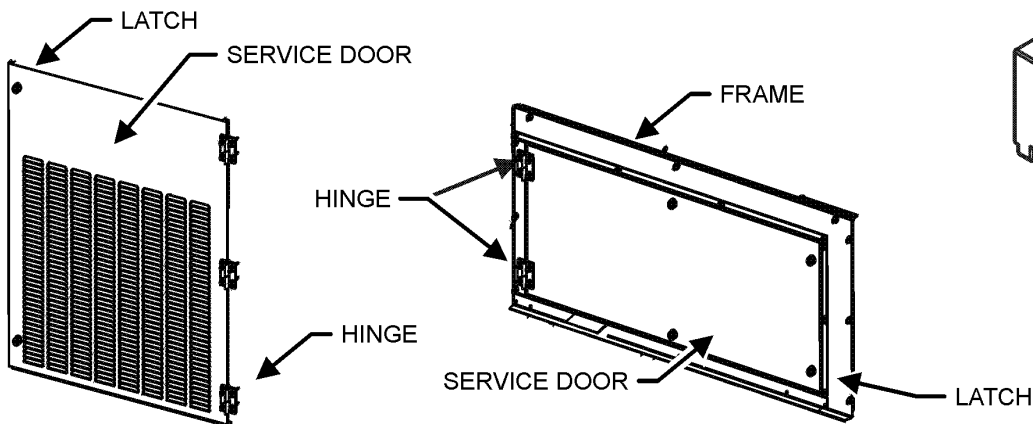
4 SMOKE DETECTORS



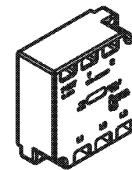
5 DDC CONTROL



6 HINGED DOOR ASSEMBLIES



7 PHASE MONITOR



Accessory Parts List

Ref. Part No:	Ref. Part No:	Description:	Description:
Image 1:			
NS	DDNECNJ180300B	15-25 TON DFLOW ECON (M14, M15)	
NS	1036611B	15-25T DFLOW ECON, DDC (M16)	
NS	0121L00316	BRACKET-CONV OUTLET MOUNT (M1, M12, M14, M16)	
NS	0121L00855	BRACKET-DISCONNECT SWITCH (M1, M2, M6, M12, M16)	
NS	0121L01053	BRACKET-SMOKE DETECTOR (M14, M15)	
NS	0130M00065	CIRCUIT BREAKER, CONVENIENCE OUTLET (M1)	
NS	0121L01603NG	CONTROL DOOR (M14, M15)	
NS	0121L00839NG	DISCONNECT COVER (M1, M2, M6, M12, M16)	
NS	EHK3-31	ELECTRIC HEATER KIT (M12)	
NS	EHK4-46	ELECTRIC HEATER KIT (M14, M15)	
NS	EHK4-60	ELECTRIC HEATER KIT (M16)	
NS	0121L01601NG	FILTER DOOR (M14, M15)	
NS	0130L00012	GANG BOX-GFCI OUTLET (M1, M12, M14, M16)	
NS	0130L00039	HANDLE, ROTARY (M1, M2, M6, M12, M16)	
NS	0163M00307	HINGE, LEFT HAND (M14, M15)	
NS	0163M00360	LATCH (M14, M15)	
NS	LAKT03	LOW AMBIENT KIT (M13, M16)	
NS	0161G00012	POWER OUTLET BOX (M1, M12, M14, M16)	
NS	0130L00103	RECEPTACLE-GFCI OUTLET (M1, M12, M14, M16)	
NS	0121L01486NG	SERVICE DOOR BACK, BLOWER (M14, M15)	
NS	0121L01484NG	SERVICE DOOR FRAME, BLOWER (M14, M15)	
NS	0121L01485NG	SERVICE DOOR FRONT, BLOWER (M14, M15)	
NS	0130L00043	SHAFT, CUT (M1, M2)	
NS	0130L00058	SHAFT, CUT (M6, M12, M16)	
NS	0130L00049	SHAFT, DISCONNECT (M1, M2, M6, M12, M16)	
NS	D4120	SMOKE DETECTOR, PHOTO 4WIRE (M14, M15)	
NS	D4S	SMOKE DETECTOR, SENSOR ONLY (M14, M15)	
NS	0130L00027	SWITCH-DISCONNECT 100A (M6, M12, M16)	
NS	0130L00033	SWITCH-DISCONNECT 200A (M1, M2)	
NS	0130M00061	TRANSFORMER, CONVENIENCE OUTLET (M1)	

Expanded Model Nomenclature

- M1 - DCC180XXX3BHXBAA
- M2 - DCC180XXX3BHXXAA
- M3 - DCC180XXX3BXXXXAA
- M4 - DCC180XXX3BXXXXAB
- M5 - DCC180XXX4BBXXAB
- M6 - DCC180XXX4BHXXAB
- M7 - DCC180XXX4BXXXXAA
- M8 - DCC180XXX4BXXXXAB
- M9 - DCC180XXX4BXXXXAC
- M10 - DCC180XXX7BXXXXAA
- M11 - DCC180XXX7BXXXXAB
- M12 - DCC1800313BHXAAA
- M13 - DCC1800317BXXCAB
- M14 - DCC1800464BVDJAB
- M15 - DCC1800464BVDZAB
- M16 - DCC1800604BJXFAB