

## Commercial 12.5 Ton Package Cooling Unit

DCC1500163VHDJBA  
DCC1500303VHXNBA  
DCC1500303VWDLBA  
DCC1500304VHXABA  
DCC1500454VWXABA  
DCC150XXX3VVDXBA  
DCC150XXX3VXXXBA  
DCC150XXX4VXXXBA  
DCC150XXX4VXXZBA  
DCC150XXX7VXXXBA



This manual is to be used by qualified technicians only.

This manual replaces RP-D1170D.

# Important Information

---

## Index

Functional Parts List .....	3
Illustration and Parts .....	4 - 15

*Views shown are for parts illustrations only, not servicing procedures*

### Text Codes:

AR - As Required

NA - Not Available

NS - Not Shown

00000000 - See Note

QTY - Quantity Example (QTY 3) (If Quantity not shown, Quantity = 1)

M - Model Example (M1) (If M Code not shown, then part is used on all Models)

### Expanded Model Nomenclature:

Example M1 - Model#1 M2 - Model#2 M3 - Model#3
---

Daikin Company, L.P. is not responsible for personal injury or property damage resulting from improper service. Review all service information before beginning repairs.

Warranty service must be performed by an authorized technician, using authorized factory parts. If service is required after the warranty expires, Daikin Company, L.P. also recommends contacting an authorized technician and using authorized factory parts.

Daikin Company, L.P. reserves the right to discontinue, or change at any time, specifications or designs without notice or without incurring obligations.

For assistance within the U.S.A. contact:

Equipment Support  
Daikin North America, LLC  
19001 Kermier Road  
Waller, Texas 77484  
855-770-5678-Telephone  
713-863-2382-Facsimile

For assistance outside the U.S.A. contact:

International Division  
Daikin North America, LLC  
19001 Kermier Road  
Waller, Texas 77484  
713-861-2500-Telephone  
713-863-2382-Facsimile

# Functional Parts

## Part

## No: Description:

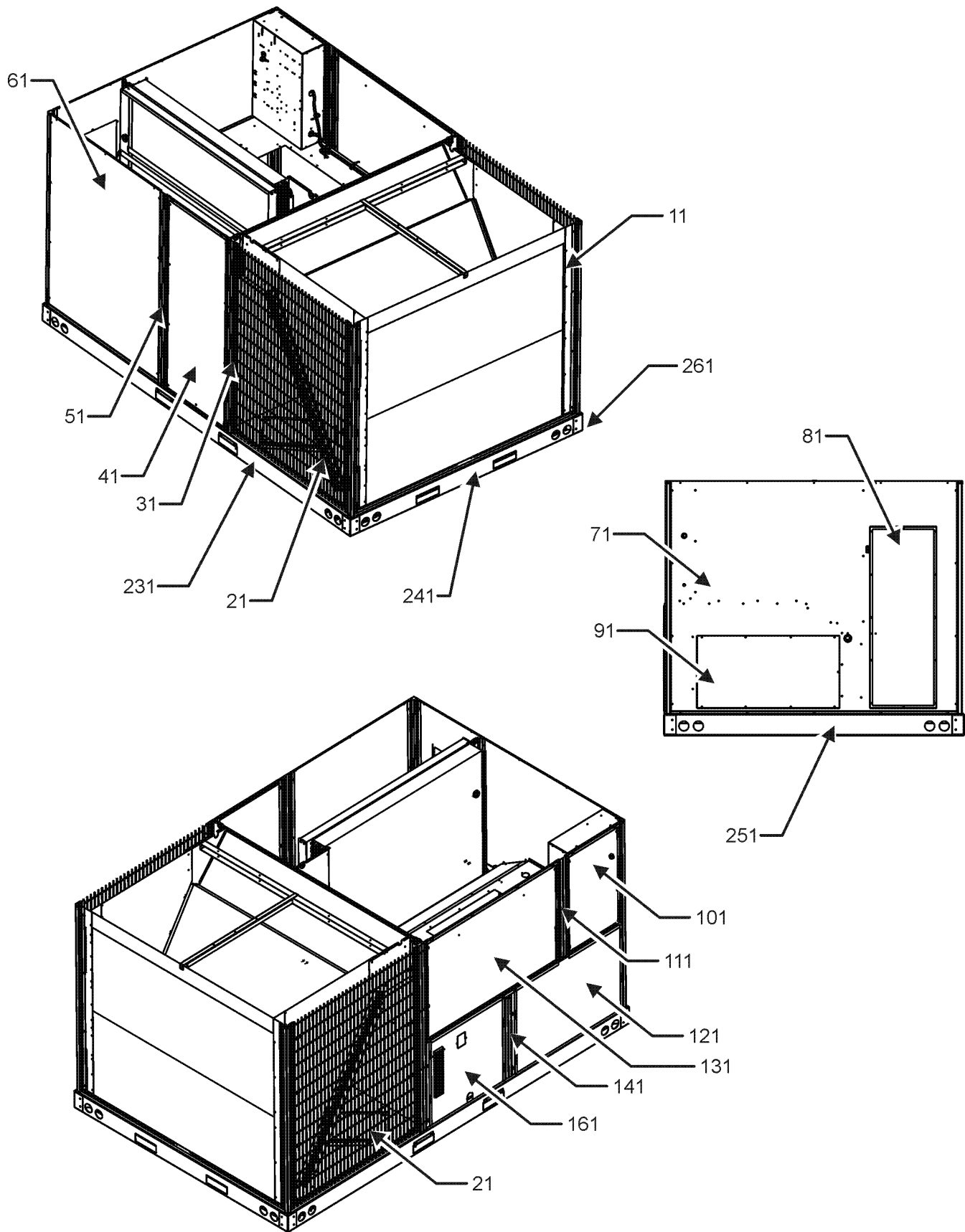
---

0150L00003	BLADE-FAN 22" ALUM. CCW 30 DEG (QTY 2)
03-78497	BLOWER WHEEL
CAP100000370LA	CAPACITOR 10/370V (M1, M2, M3, M4, M6, M7, M8, M9, M10)
CAP050000440LA	CAPACITOR 5/440V (M5)
ZP67KCETFD130	COMPRESSOR 67000, 460/60/3 (M3, M4, M9, M10)
ZP67KCETF5130	COMPRESSOR 67500, 200/230/60/3 (M1, M2, M6, M7, M8)
ZP67KCETFE130	COMPRESSOR 67500, 575/60/3 (M5)
CONT3P030024V	CONTACTOR 25 AMP, 3P, 24V (QTY 4)
0130M00074	HIGH PRESSURE SWITCH (QTY 2)
0130M00075	LOW PRESSURE SWITCH (QTY 2)
0131M00840	MOTOR, 1/3 HP, OD (M1, M2, M6, M7)
0131M00841	MOTOR, 1/3 HP, OD (M3, M4, M9, M10)
0131M00842	MOTOR, 1/3 HP, OD (M5)
0131L00071	MOTOR, 3 H.P., 3P (M3, M4, M9, M10)
0131L00070	MOTOR, 3 H.P., 3P (M1, M2, M6, M7, M8)
0131L00027	MOTOR, 3 HP BELT DRIVE 575 V (M5)
0131L00064	MOTOR, COND, 1/3 HP, 208/230V (M8)
0164L00001	NOTCHED FAN BELT AX49
PCBFM103	PCB, TIME DELAY, EBTDR
10135604	RELAY (QTY 2)
0130M00242	RELAY, 24V (QTY 2)
0130M00038	TERMINAL STRIP
0130M00594	TRANSFORMER (M1, M2, M6, M7, M8)
0130M00595	TRANSFORMER, 75VA, 480V TO 24V (M3, M4, M9, M10)
0130M00598	TRANSFORMER, 75VA, 575V TO 24V (M5)

### Expanded Model Nomenclature

M1 - DCC150XXX3VXDXBA
M2 - DCC150XXX3VXXXBA
M3 - DCC150XXX4VXXXBA
M4 - DCC150XXX4VXXZBA
M5 - DCC150XXX7VXXXBA
M6 - DCC1500163VHDJBA
M7 - DCC1500303VHXNBA
M8 - DCC1500303VWDLBA
M9 - DCC1500304VHXABA
M10 - DCC1500454VWXABA

# Cabinet Assembly



# Cabinet Assembly

Ref. Part No:	Part No:	Description:	Ref. Part No:	Part No:	Description:
---------------	----------	--------------	---------------	----------	--------------

**Image 1:**

11	0121L00979RFNG	CORNER POST (QTY 3)			
11	0121L01421RFNG	CORNER POST, RF PAINTED (M1, M6, M8)			
21	0152L00001	GRILLE-CONDENSER (QTY 2)			
31	0121L00980RFNG	ROLL FORM SIDE POST (M2, M3, M4, M5, M7, M9, M10)			
31	0121L01423RFNG	SIDE POST (M1, M6, M8)			
41	0121L00759NG	FILTER DOOR			
51	0121L00757RFNG	FILTER DOOR POST (M2, M3, M4, M5, M7, M9, M10)			
51	0121L01433RFNG	FILTER DOOR POST (M1, M6, M8)			
61	0121L00378NG	ECONOMIZER DOOR (M1, M2, M3, M4, M5, M6, M7, M9)			
71	0121L01287NG	DUCT PANEL (M1, M2, M3, M4, M5)			
71	0121L01367NG	DUCT PANEL (M6, M7, M8, M9, M10)			
81	0121L00082NG	RETURN DUCT COVER			
91	0121L00099NG	SUPPLY DUCT COVER			
101	0121L01078NG	CONTROL DOOR			
111	0121L02305RFNG	RF, PAINTED CONTROL POST 12.5 (M2, M3, M4, M5, M7, M9, M10)			
111	0121L02518RFNG	RF, PNT CNTL POST HINGED 12.5 (M1, M6, M8)			
121	0121L00767NG	ELECTRIC HEAT DOOR			
131	0121L00819NG	BLOWER DOOR			
141	0121L00765RFNG	BURNER BOX POST			
161	0121L00828NG	BURNER AREA DOOR			
231	0121L01099RF	RAIL, BASE SIDES RF (QTY 2)			
241	0121L00834RF	RAIL-BASE COND END			
251	0121L00071RF	RAIL, BASE DUCT END			
261	0121G00301	RAIL CORNER BRACKET (QTY 4)			
NS	0121L00055	BRACKET-FORK BOARD (QTY 4)			
NS	0121L00727	ECONOMIZER COVER (M8, M10)			
NS	0141L00006X	FORK BOARD (QTY 2)			
NS	0164L00009	GASKET-RUBBER, CPOST (QTY 3)			
NS	0164L00011	GASKET-RUBBER, SIDE POST (QTY 5)			

**Expanded Model Nomenclature**

M1 - DCC150XXX3V XDXBA
M2 - DCC150XXX3V XXXBA
M3 - DCC150XXX4V XXXBA
M4 - DCC150XXX4V XXZBA
M5 - DCC150XXX7V XXXBA
M6 - DCC1500163V HDJBA
M7 - DCC1500303V HXNBA
M8 - DCC1500303V WDLBA
M9 - DCC1500304V HXABA
M10 - DCC1500454V WXABA

# Top Panel and Tubing Assembly

IMAGE 1

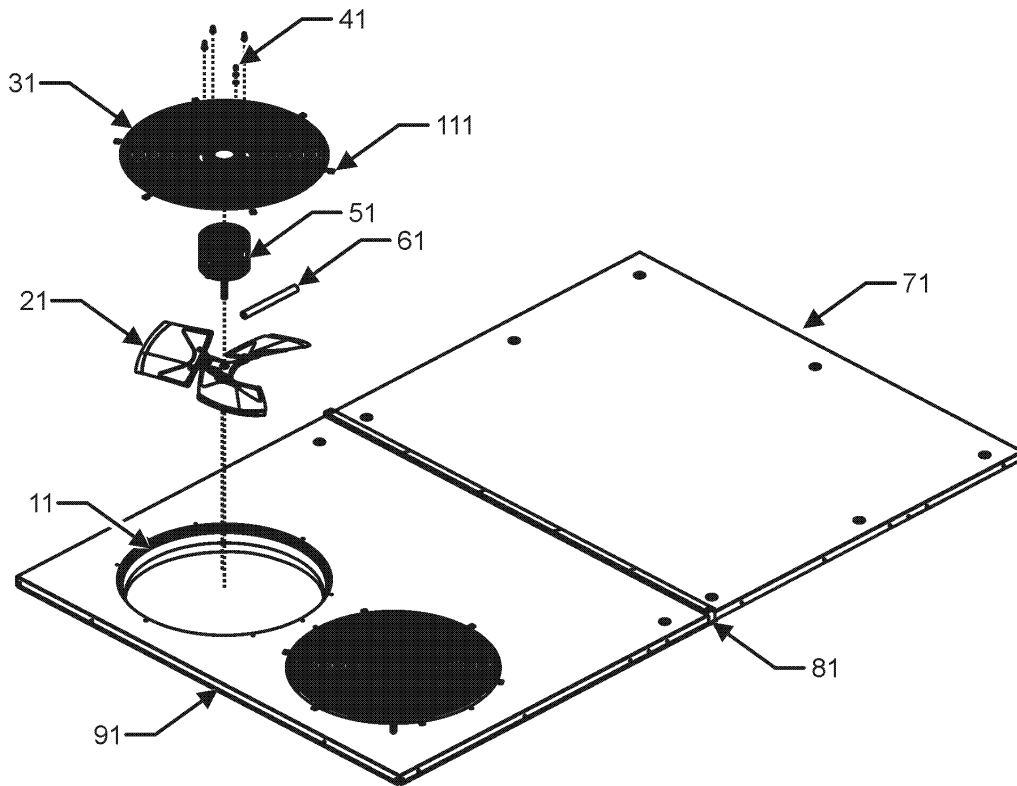
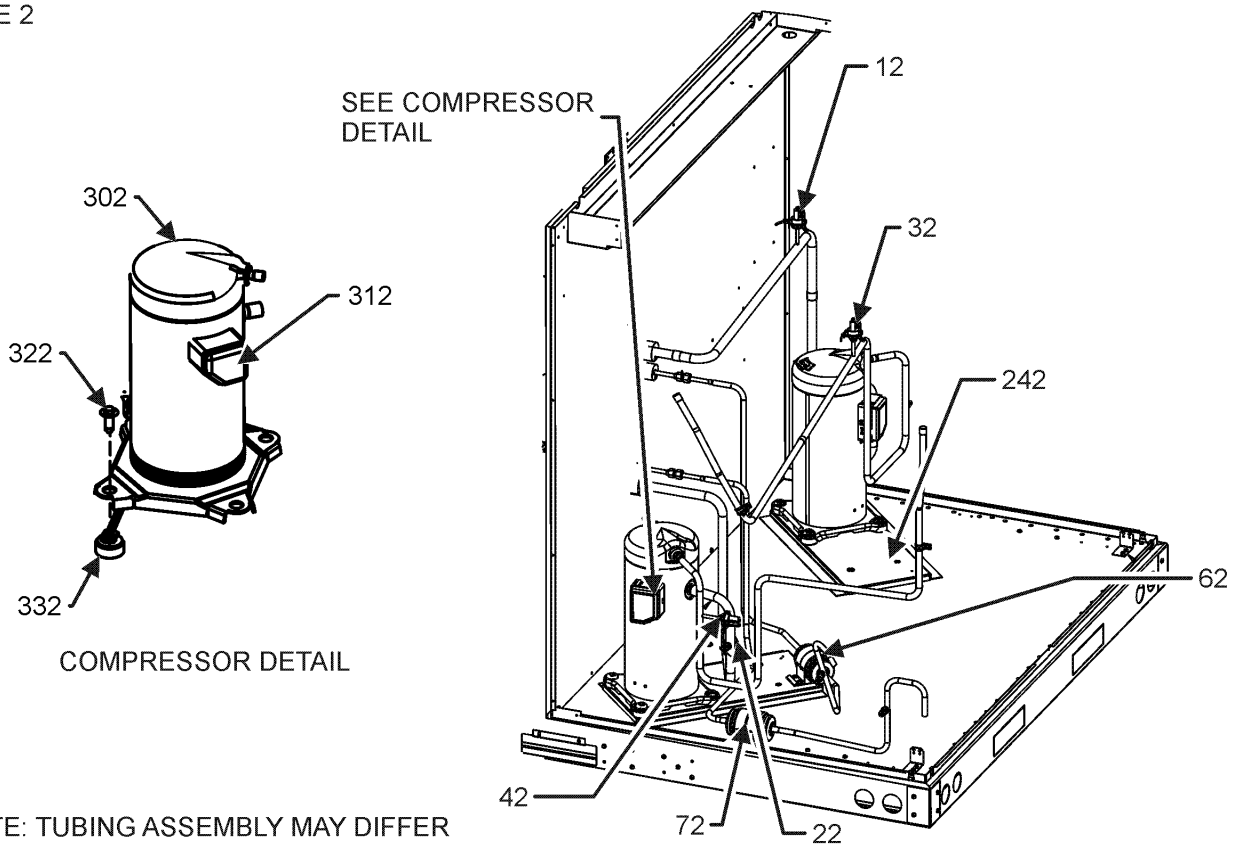


IMAGE 2



NOTE: TUBING ASSEMBLY MAY DIFFER FROM WHAT IS SHOWN

# Top Panel and Tubing Assembly

Ref. Part No: No:	Description:	Ref. Part No: No:	Description:
-------------------	--------------	-------------------	--------------

**Image 1:**

11	0161L00000	VENTURI RING 22" (QTY 2)
21	0150L00003	BLADE-FAN 22" ALUM. CCW 30 DEG (QTY 2)
31	0152G00000	FAN GRILLE, RAISED (QTY 2)
41	0163M00006P	ACORN NUT 5/16 HEX BLACK (QTY 8)
51	0131M00840	MOTOR, 1/3 HP, OD (M1, M2, M6, M7)
51	0131M00841	MOTOR, 1/3 HP, OD (M3, M4, M9, M10)
51	0131M00842	MOTOR, 1/3 HP, OD (M5)
51	0131L00064	MOTOR, COND, 1/3 HP, 208/230V (M8)
61	0161R00003P	CONDUIT (QTY 2)
71	0121L01119NG	PAINTED TOP PANEL INDOOR
81	20455902	SPLICE GASKET .50 X .25 (QTY 11)
91	0121L01118NG	PAINTED TOP PANEL OUTDOOR
111	0163M00005P	WASHER, BLACK (.50 OD .218ID) (QTY 8)
NS	0259L00511	HARNESS COND MOTOR
NS	0259L00512	HARNESS COND MOTOR
NS	0163M00004	SCREW #10X3/4" BLK (QTY 12)

**Image 2:**

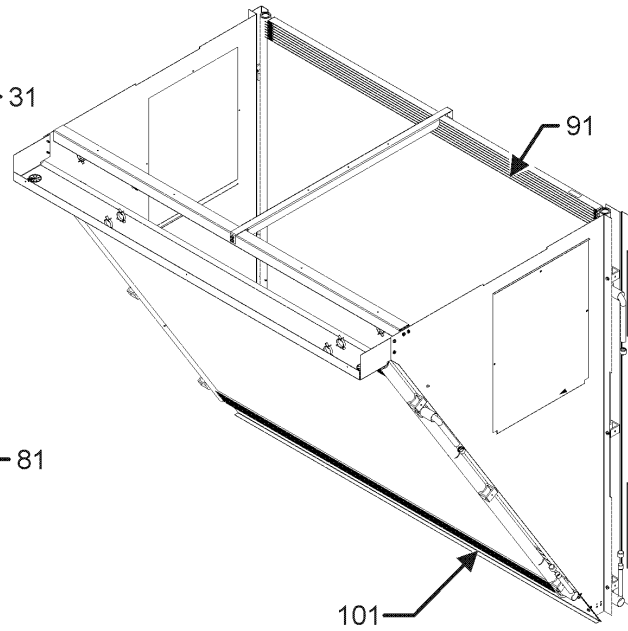
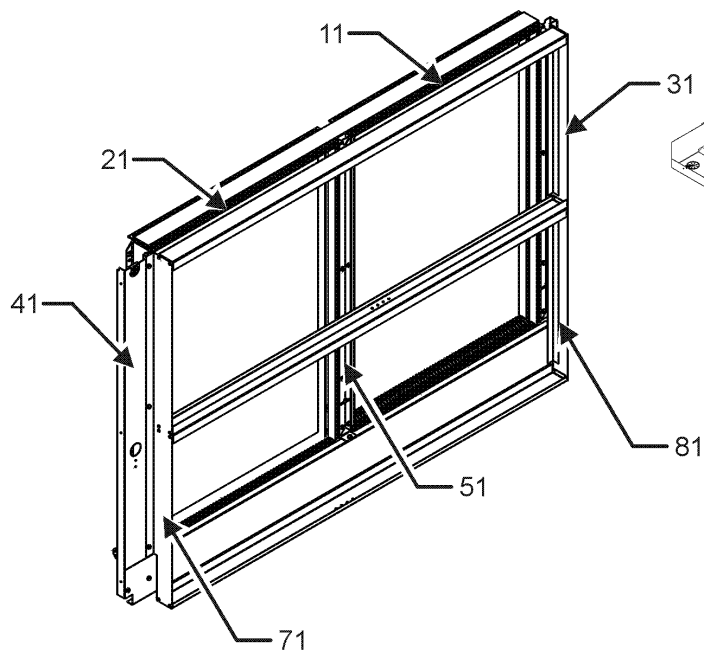
12	0130M00075	LOW PRESSURE SWITCH
22	0130M00075	LOW PRESSURE SWITCH
32	0130M00074	HIGH PRESSURE SWITCH
42	0130M00074	HIGH PRESSURE SWITCH
62	0151M00012	FILTER/DRIER BI-FLOW
72	0151M00012	FILTER/DRIER BI-FLOW
242	0121L02128	MOUNTING PLATE-COMPRESSOR (QTY 2)
302	ZP67KCETFD130	COMPRESSOR 67000, 460/60/3 (M3, M4, M9, M10)
302	ZP67KCETF5130	COMPRESSOR 67500, 200/230/60/3 (M1, M2, M6, M7, M8)
302	ZP67KCETFE130	COMPRESSOR 67500, 575/60/3 (M5)
312	0159L00066	Harness, comp s croll (M3, M4, M5, M9, M10)
312	0159L00068	Harness, comp s croll (M1, M2, M6, M7, M8)
312	0159L00069	Harness, comp s croll (M1, M2, M6, M7, M8)
312	0159L00070	Harness, compm pressor 460V (M3, M4, M5, M9, M10)
322	M0221641	TF SHOULDER SCREW (QTY 8)
332	B1339533	COMPRESSOR GROMMET (QTY 8)
NS	B1373315	ACCESS FITTING (QTY 6)
NS	0163M00175	CAP WITH O-RING (QTY 6)

**Expanded Model Nomenclature**

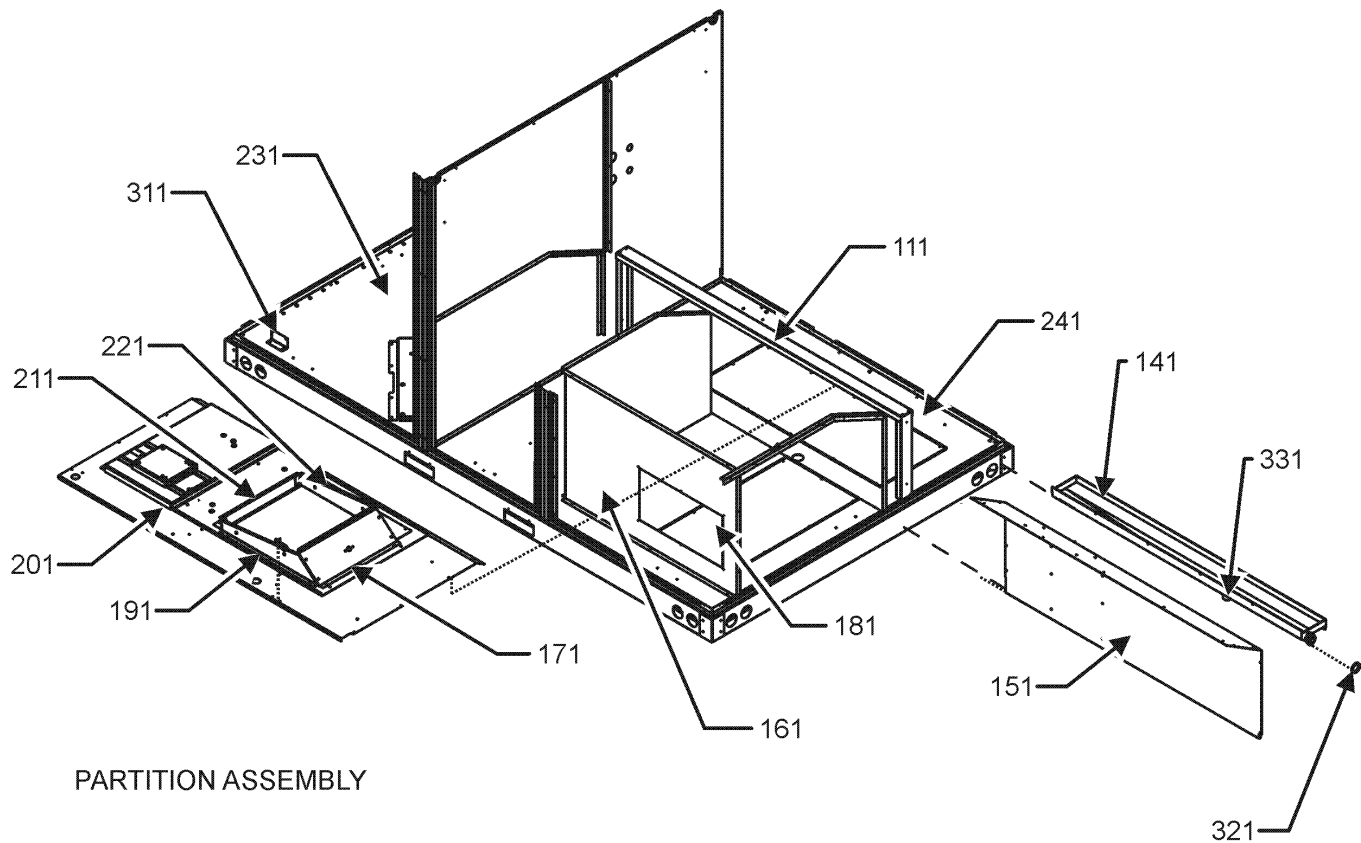
- |                         |
|-------------------------|
| M1 - DCC150XXX3V XDXBA  |
| M2 - DCC150XXX3V XXXBA  |
| M3 - DCC150XXX4V XXXBA  |
| M4 - DCC150XXX4V XXZBA  |
| M5 - DCC150XXX7V XXXBA  |
| M6 - DCC1500163V HDJBA  |
| M7 - DCC1500303V HXNBA  |
| M8 - DCC1500303V WDLBA  |
| M9 - DCC1500304V HXABA  |
| M10 - DCC1500454V WXABA |

# Partition, Evaporator & Condenser Assy

## EVAPORATOR ASSEMBLY



## CONDENSER ASSEMBLY



## PARTITION ASSEMBLY

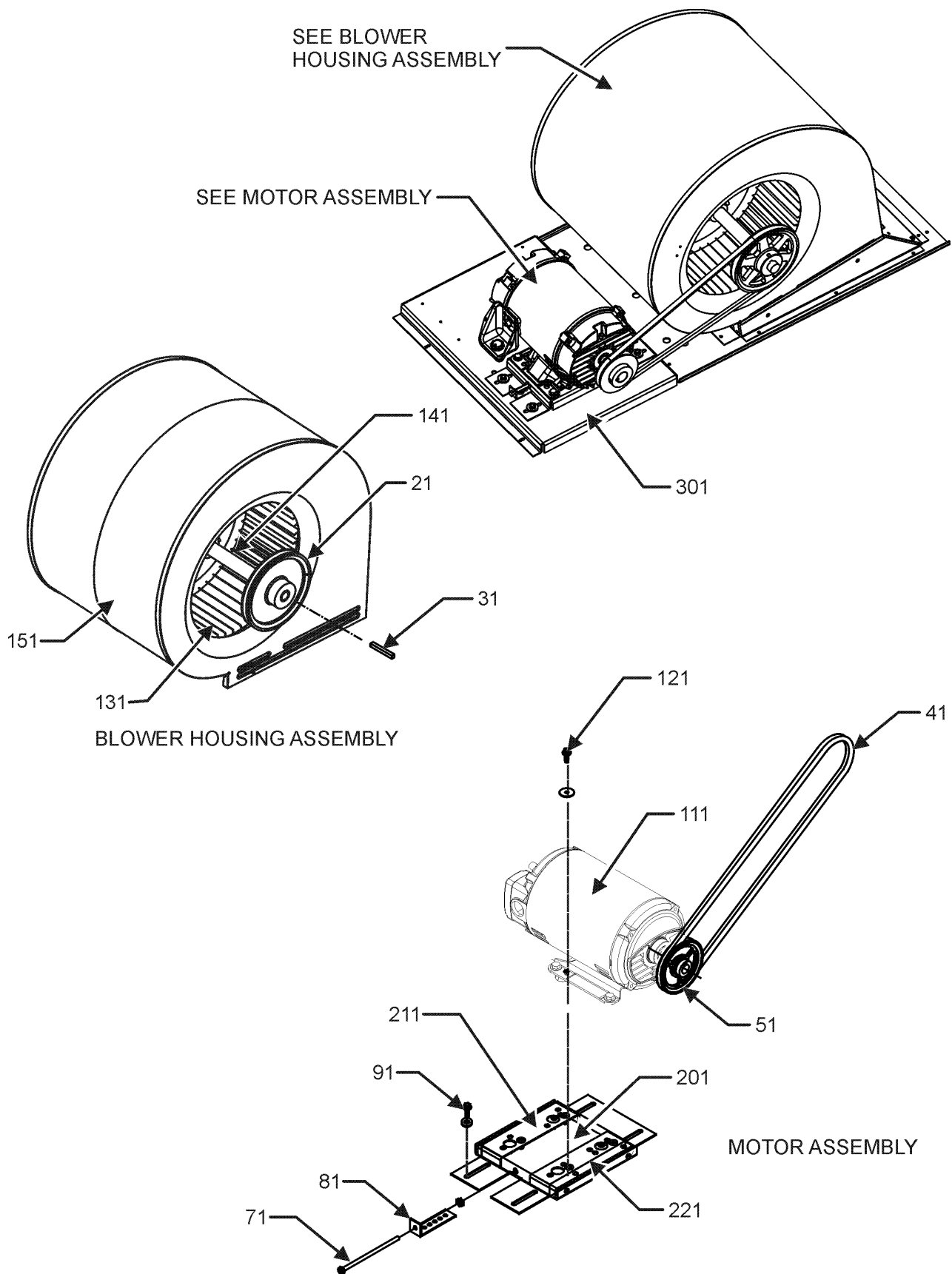
# Partition, Evaporator & Condenser Assy

Ref. Part No: No:	Description:	Ref. Part No: No:	Description:
<b>Image 1:</b>			
11	0202L00240		EVAP COIL ASSY, C1
21	0202L00239		EVAP COIL ASSY, C2
31	0121L02056		BLOCKOFF, RIGHT VERTICAL
41	0121L02054		BLOCKOFF, LEFT VERTICAL
51	0121L02055		BLOCKOFF, MIDDLE
71	0121L00402		ANGLE-VERTICAL BACK (QTY 2)
81	0121L00402		ANGLE-VERTICAL BACK (QTY 2)
91	0201L00390		COND COIL ASSY (QTY 2)
101	0201L00390		COND COIL ASSY (QTY 2)
111	0121L02997		SUPPORT, PAN, DRAIN
141	0161L00002		DRAIN PAN
151	0121L00374		DECK SIDE CHANNEL
161	0121L00365		ELECTRIC HEAT PANEL
171	0121L00168		BLOWER TRANSITION, RH END
181	0121L00177		COVER-ELECTRIC HEAT
191	0121L00092		BLOWER TRANSITION, FRONT
201	0121L03117		DECK, BLOWER
211	0121L00169		BLOWER TRANSITION, LH END
221	0121L00094		BLOWER TRANSITION, BACK
231	0121L02129		BASEPAN, OUTDOOR
241	0121L00944		BASE PAN INDOOR
311	0121L02130		MOUTING BRACKET, COND
321	0154L00009		DRAIN PAN GASKET
331	0163L00071		PLUG, DRAIN
NS	0160L00173		AIR FILTER 14 X 20 X 2 (QTY 2)
NS	0160L00136		Air Filter 20x20x2 (QTY 4)
NS	0121L01079		BLOCKOFF, CONTROL BOX (M1, M6, M8)
NS	0121L01398		DECK, SUPPORT BLOWER (M1, M6, M8)
NS	0121L01402		DECK, SUPPORT CONTROL (M1, M6, M8)
NS	0121L00321		SMOKE DETECTOR COVER (QTY 2)

## Expanded Model Nomenclature

- M1 - DCC150XXX3VXDXBA
- M2 - DCC150XXX3VXXXBA
- M3 - DCC150XXX4VXXXBA
- M4 - DCC150XXX4VXXZBA
- M5 - DCC150XXX7VXXXBA
- M6 - DCC1500163VHDJBA
- M7 - DCC1500303VHXNBA
- M8 - DCC1500303VWDLBA
- M9 - DCC1500304VHXABA
- M10 - DCC1500454VWXABA

# Blower Assembly



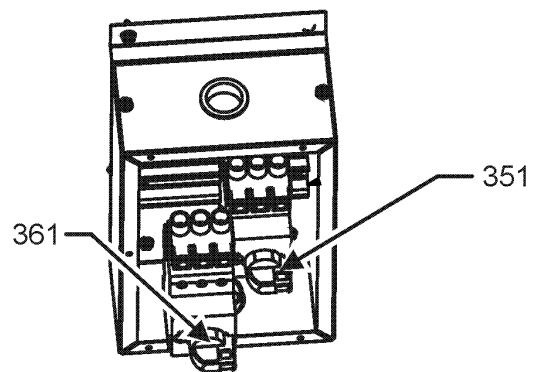
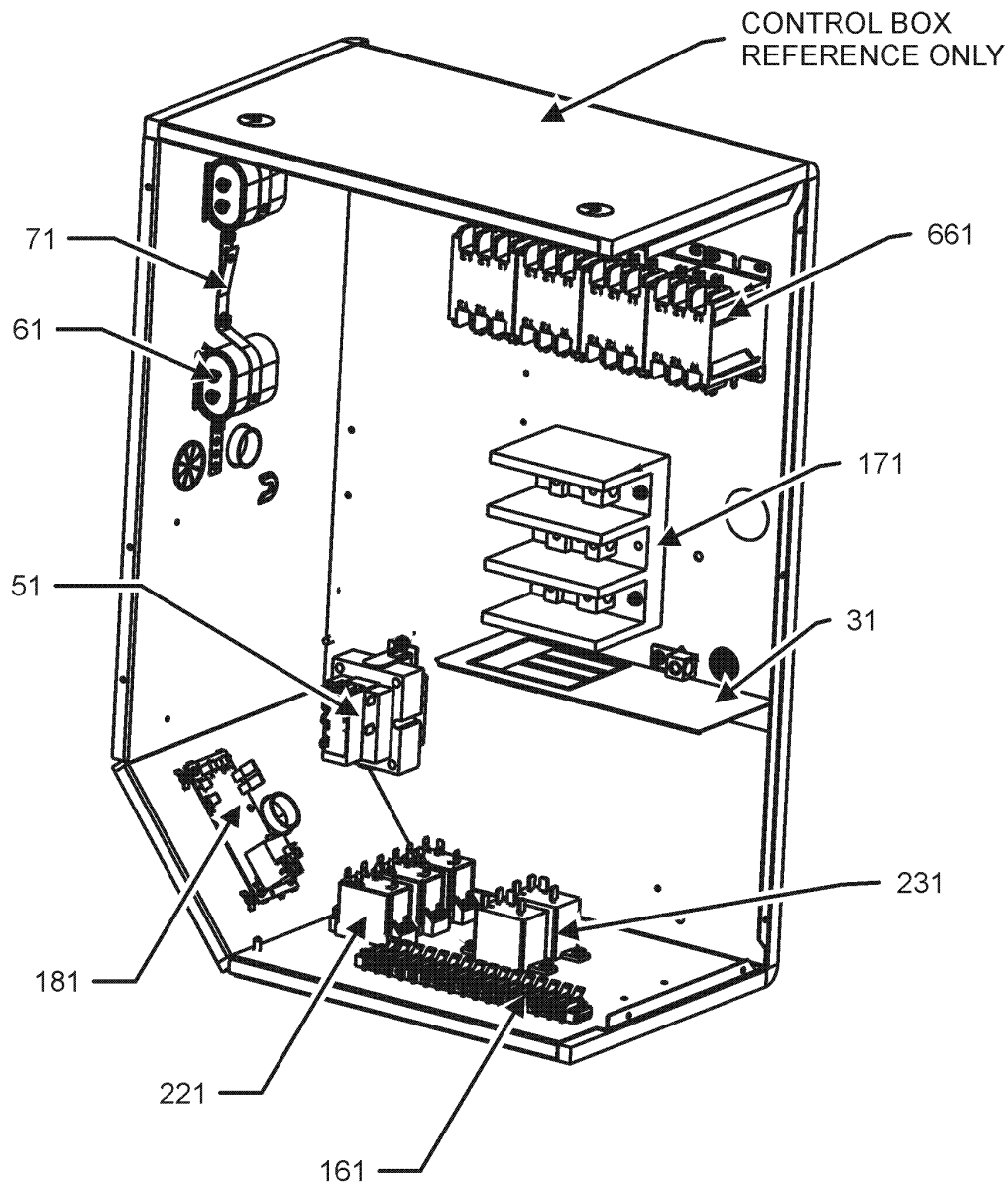
# Blower Assembly

Ref. Part No:	No:	Description:	Ref. Part No:	No:	Description:
<b>Image 1:</b>					
21	0163L00157	SHEAVE, FIXED AK79H			
31	0163M00407	MACHINE KEY, SPECIAL			
41	0164L00001	NOTCHED FAN BELT AX49			
51	0163L00066	VP SHEAVE			
71	0163M00045	BOLT 1/4-20 X 4"			
81	3225000F	BELT TIGHTENER ANGLE			
91	B1446707	SCREW 5/16-18 X 1" (QTY 8)			
111	0131L00070	MOTOR, 3 H.P., 3P (M1, M2, M6, M7, M8)			
111	0131L00071	MOTOR, 3 H.P., 3P (M3, M4, M9, M10)			
111	0131L00027	MOTOR, 3 HP BELT DRIVE 575 V (M5)			
121	B1393738	BOLT 1/4-20 X 3/4" (QTY 8)			
131	03-78497	BLOWER WHEEL			
141	04-11526	BLOWER SHAFT			
151	04-01526	BLOWER HOUSING			
201	0121L01459	PLATE-MOTOR MOUNTING			
211	0121L01460	ANGLE-MOTOR MOUNT, FRONT			
221	0121L01461	ANGLE-MOTOR MOUNT, BACK			
301	0121L03460	BASE, MOTOR			
NS	04-02196	BEARING & FRAME ASSY			
NS	0259L00160	HARNESS-BELT DRIVE 2 SP MOTOR (M5)			

## Expanded Model Nomenclature

- |                         |
|-------------------------|
| M1 - DCC150XXX3V XDXBA  |
| M2 - DCC150XXX3V XXXBA  |
| M3 - DCC150XXX4V XXXBA  |
| M4 - DCC150XXX4V XXZBA  |
| M5 - DCC150XXX7V XXXBA  |
| M6 - DCC1500163V HDJBA  |
| M7 - DCC1500303V HXNBA  |
| M8 - DCC1500303V WDLBA  |
| M9 - DCC1500304V HXABA  |
| M10 - DCC1500454V WXABA |

# Control Box Assembly



CIRCUIT BREAKER ASSEMBLY

# Control Box Assembly

Ref. Part No:	Ref. Part No:	Description:	Description:
<b>Image 1:</b>			
31	0121G00491	VOLTAGE BARRIER	
51	0130M00594	TRANSFORMER (M1, M2, M6, M7, M8)	
51	0130M00595	TRANSFORMER, 75VA, 480V TO 24V (M3, M4, M9, M10)	
51	0130M00598	TRANSFORMER, 75VA, 575V TO 24V (M5)	
61	CAP100000370LA	CAPACITOR 10/370V (M1, M2, M3, M4, M6, M7, M8, M9, M10)	
61	CAP050000440LA	CAPACITOR 5/440V (M5)	
71	20520901	CAPACITOR STRAP (QTY 8)	
161	0130M00038	TERMINAL STRIP	
171	0130M00042	BLOCK, DISTRIB. 7.5-25 TON	
181	PCBFM103	PCB, TIME DELAY, EBTDR	
221	10135604	RELAY (QTY 2)	
231	0130M00242	RELAY, 24V (QTY 2)	
351	0130L00082	ROTARY MANUAL MOTOR PROTECTOR (M5)	
361	0130L00082	ROTARY MANUAL MOTOR PROTECTOR (M5)	
661	CONT3P030024V	CONTACTOR 25 AMP, 3P, 24V (QTY 4)	
NS	0259L00155	2 SPEED RELAY HARNESS	
NS	0259L00161	CIRCUIT BREAKER HARNESS (M5)	
NS	0259L00032	LCM HARNESS, ELECTRIC HEAT	
NS	0259L00509	WIRE HARNESS, ECONOMIZER	

## Expanded Model Nomenclature

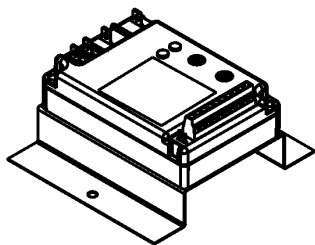
M1 - DCC150XXX3VXDXBA
M2 - DCC150XXX3VXXXBA
M3 - DCC150XXX4VXXXBA
M4 - DCC150XXX4VXXZBA
M5 - DCC150XXX7VXXXBA
M6 - DCC1500163VHDJBA
M7 - DCC1500303VHXNBA
M8 - DCC1500303VWDLBA
M9 - DCC1500304VHXABA
M10 - DCC1500454VWXABA

# Accessory Parts List

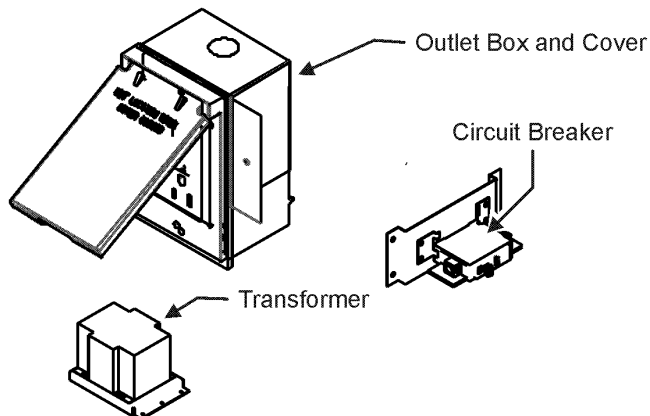
## ACCESSORY PARTS LIST

NOTE: NOT ALL OPTIONS AVAILABLE FOR ALL PRODUCTS

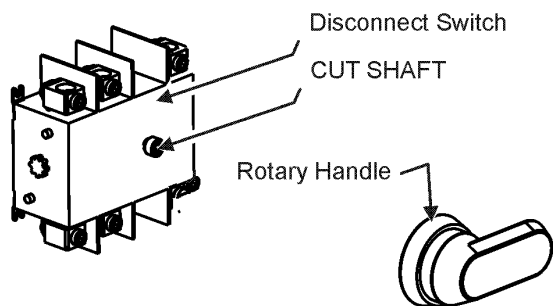
### 1 LOW AMBIENT KITS



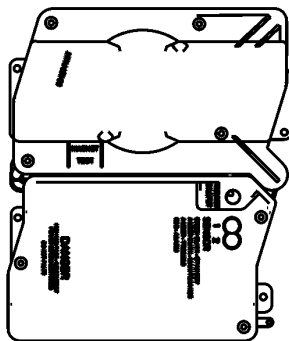
### 2 GFCI CONVENIENCE OUTLET



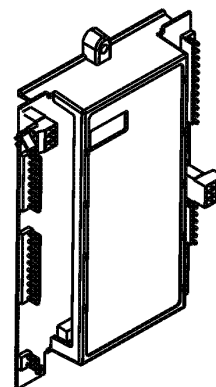
### 3 DISCONNECT MODULE (NON-FUSED)



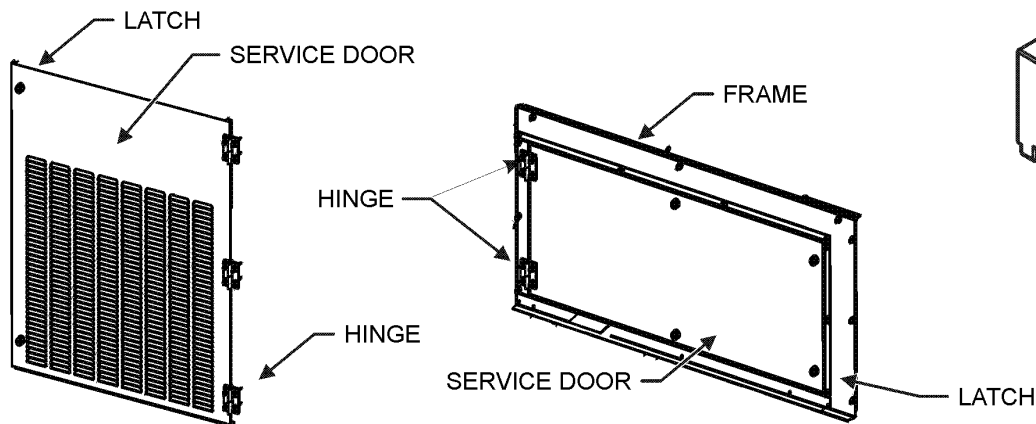
### 4 SMOKE DETECTORS



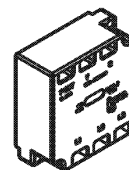
### 5 DDC CONTROL



### 6 HINGED DOOR ASSEMBLIES



### 7 PHASE MONITOR



# Accessory Parts List

Ref. Part No:	Ref. Part No:	Description:	Description:
<b>Image 1:</b>			
NS EHK3-16		15 KW 208-230/3 ELECTRIC HEAT (M6)	
NS DDNECNJ90150B		7.5-12.5 TON DFLOW ECON (M8, M10)	
NS 0121L00316		BRACKET-CONV OUTLET MOUNT (M6, M7, M8, M9, M10)	
NS 0121L00768		BRACKET-SMOKE DETECTOR (M4, M6, M7, M8)	
NS 0130M00065		CIRCUIT BREAKER, CONVENIENCE OUTLET (M7)	
NS 0121L00973NG		DISCONNECT SWITCH COVER (M6, M7, M8, M9, M10)	
NS 0121L01414NG		DOOR FRAME, BLOWER (M1, M6, M8)	
NS 0121L01417NG		DOOR FRAME, CONTROL (M1, M6, M8)	
NS 0121L02483NG		DOOR, SERVICE, BACK, BLOWER (M1, M6, M8)	
NS 0121L02482NG		DOOR, SERVICE, FRONT, BLOWER (M1, M6, M8)	
NS EHK3-30		ELECTRIC HEATER KIT (M7, M8)	
NS EHK4-30		ELECTRIC HEATER KIT (M9)	
NS EHK4-45		ELECTRIC HEATER KIT (M10)	
NS 0130L00012		GANG BOX-GFCI OUTLET (M6, M7, M8, M9, M10)	
NS 0130L00039		HANDLE, ROTARY (M6, M7, M8, M9, M10)	
NS 0163M00307		HINGE, LEFT HAND (M1, M6, M8)	
NS 0163M00308		HINGE, RIGHT HAND (M1, M6, M8)	
NS 0163M00322		LATCH (M1, M6, M8)	
NS 0130M00059		LOW AMBIENT KIT (M8)	
NS 0121L02221NG		PNT, DOOR FRAME, FILTER (M1, M6, M8)	
NS 0121L02222NG		PNT, SERVICE DOOR BACK FILTER (M1, M6, M8)	
NS 0121L02219NG		PNT, SERVICE DOOR FRONT FILTER (M1, M6, M8)	
NS 0161G00012		POWER OUTLET BOX (M6, M7, M8, M9, M10)	
NS 0130L00103		RECEPTACLE-GFCI OUTLET (M6, M7, M8, M9, M10)	
NS 0121L01416NG		SERVICE DOOR BACK, CONTROL (M1, M6, M8)	
NS 0121L01415NG		SERVICE DOOR FRONT, CONTROL (M1, M6, M8)	
NS 0130L00043		SHAFT, CUT (M7, M8)	
NS 0130L00056		SHAFT, CUT (M6, M10)	
NS 0130L00049		SHAFT, DISCONNECT (M6, M7, M8, M9, M10)	
NS D4120		SMOKE DETECTOR, PHOTO 4WIRE (M4, M6, M7, M8)	
NS D4S		SMOKE DETECTOR, SENSOR ONLY (M4, M6, M8)	
NS 0130L00027		SWITCH-DISCONNECT 100A (M6, M10)	
NS 0130L00033		SWITCH-DISCONNECT 200A (M7, M8)	
NS 0130L00046		SWITCH-DISCONNECT 60A (M9)	
NS 0130M00061		TRANSFORMER, CONVENIENCE OUTLET (M7)	

## Expanded Model Nomenclature

- |                        |
|------------------------|
| M1 - DCC150XXX3VXDXBA  |
| M2 - DCC150XXX3VXXXBA  |
| M3 - DCC150XXX4VXXXBA  |
| M4 - DCC150XXX4VXXZBA  |
| M5 - DCC150XXX7VXXXBA  |
| M6 - DCC1500163VHDJBA  |
| M7 - DCC1500303VHXNBA  |
| M8 - DCC1500303VWDLBA  |
| M9 - DCC1500304VHXABA  |
| M10 - DCC1500454VWXABA |