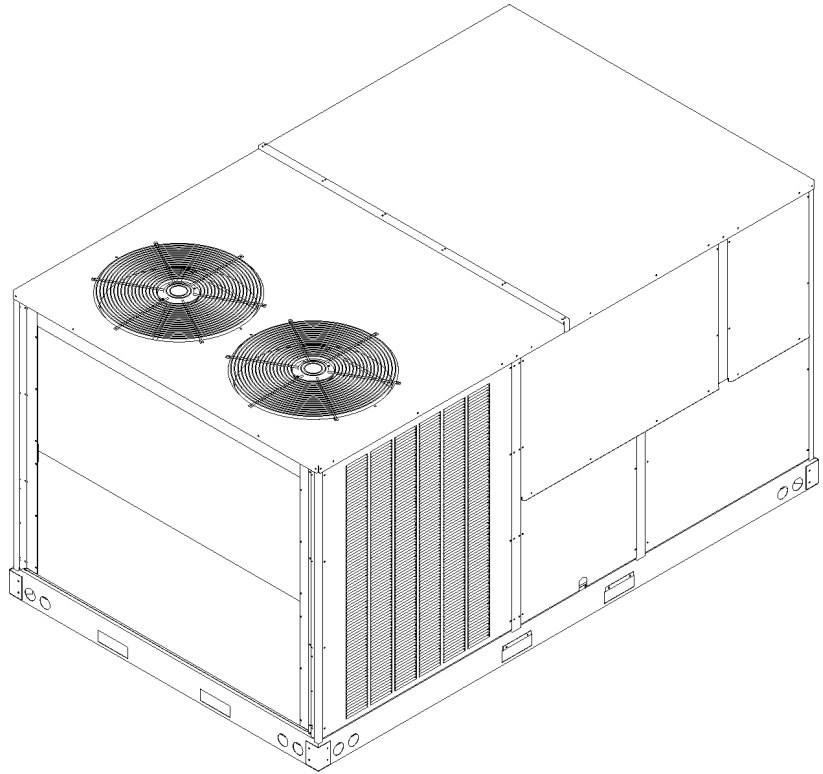


## Commercial 12.5 Ton 2-Speed Package Cooling Unit

DCC1500304VWXXAA  
DCC1500304VXDZAA  
DCC150XXX3VHXAAA  
DCC150XXX3VXXXAA  
DCC150XXX4VXXXAA  
DCC150XXX7VXXXAA  
DCC150XXX7VXXXAB



This manual is to be used by qualified technicians only.

This manual replaces RP-D1044C.

© 2013 - 2014, 2018 **DAIKIN COMPANY, L.P.** ♦ 5151 San Felipe St., Suite 500 ♦ Houston, TX 77056

# Important Information

---

## Index

Functional Parts List .....	3
Illustration and Parts .....	4 - 15

*Views shown are for parts illustrations only, not servicing procedures.*

### Text Codes:

AR - As Required

NA - Not Available

NS - Not Shown

00000000 - See Note

QTY - Quantity Example (QTY 3) (If Quantity not shown, Quantity = 1)

M - Model Example (M1) (If M Code not shown, then part is used on all Models)

### Expanded Model Nomenclature:

Example M1 - Model#1 M2 - Model#2 M3 - Model#3
---

Daikin Company, L.P. is not responsible for personal injury or property damage resulting from improper service. Review all service information before beginning repairs.

Warranty service must be performed by an authorized technician, using authorized factory parts. If service is required after the warranty expires, Daikin Company, L.P. also recommends contacting an authorized technician and using authorized factory parts.

Daikin Company, L.P. reserves the right to discontinue, or change at any time, specifications or designs without notice or without incurring obligations.

For assistance within the U.S.A. contact:

Equipment Support  
Daikin North America, LLC  
19001 Kermier Road  
Waller, Texas 77484  
855-770-5678-Telephone  
713-863-2382-Facsimile

For assistance outside the U.S.A. contact:

International Division  
Daikin North America, LLC  
19001 Kermier Road  
Waller, Texas 77484  
713-861-2500-Telephone  
713-863-2382-Facsimile

# Functional Parts

## Part

## No: Description:

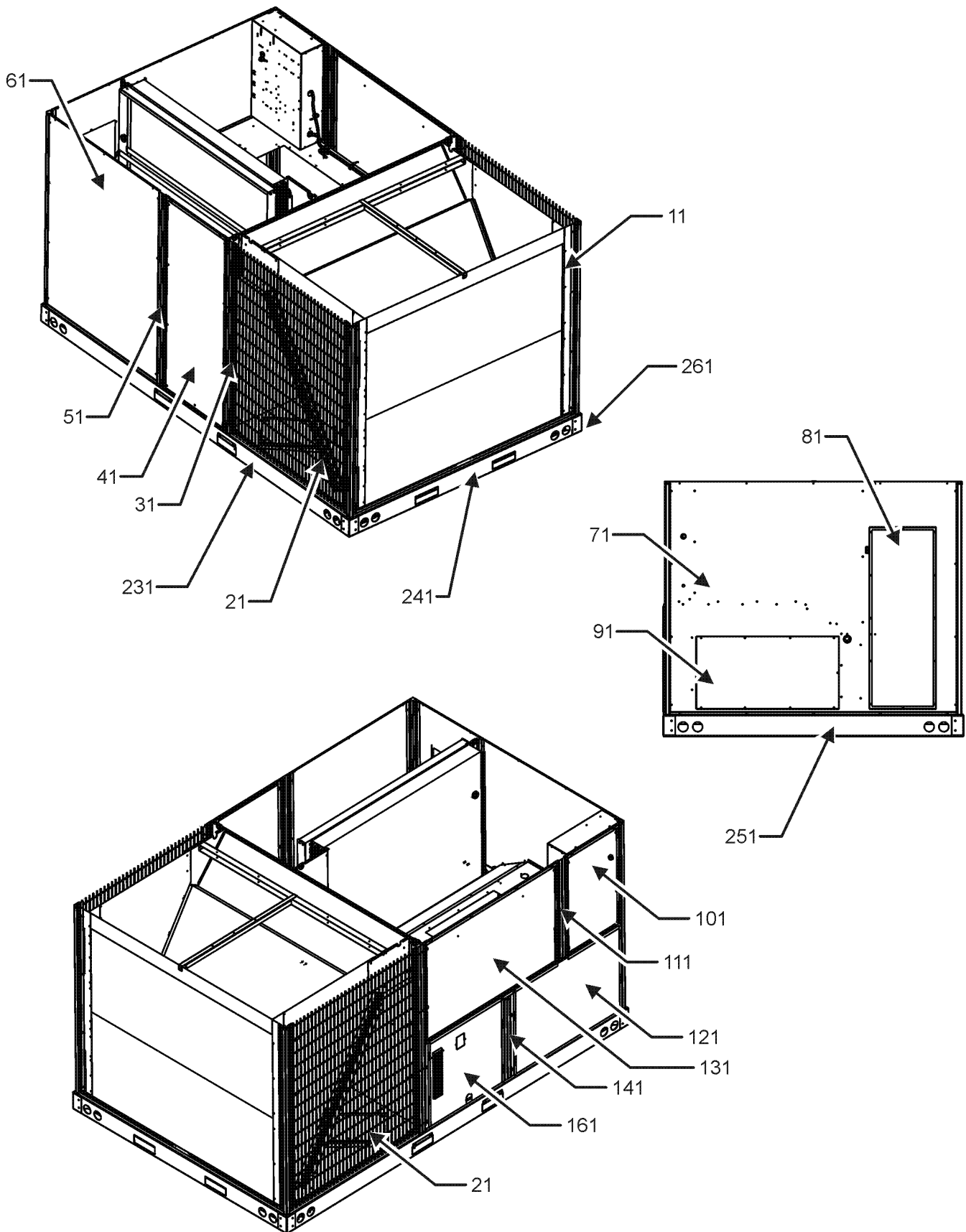
---

03-78497	BLOWER WHEEL
CAP100000370LA	CAPACITOR 10/370V (M1, M2, M3, M6, M7)
CAP050000370LA	CAPACITOR 5/370V (M4)
CAP050000440LA	CAPACITOR 5/440V (M5)
ZP67KCETFD130	COMPRESSOR 67000, 460/60/3 (M3, M6, M7)
ZP67KCETF5130	COMPRESSOR 67500, 200/230/60/3 (M1, M2)
ZP67KCETFE130	COMPRESSOR 67500, 575/60/3 (M4, M5)
0131M00430	COND MOTOR 1/3 HP, 1 SP, 6 PL (M1, M2)
0131M00179	COND MOTOR 1/3 HP, 6 PL, 575V (M4)
0131M00500	COND MOTOR 1/3 HP, OD, LAK (M5)
CONT3P030024V	CONTACTOR 30 AMP, 3P, 24V (QTY 4)
PCBFM103	ELECTRONIC BLOWER TIME DELAY
10625733	FAN BLADE 22" ALUM CCW (QTY 2)
0130M00074	HIGH PRESSURE SWITCH
0130M00075	LOW PRESSURE SWITCH
0131M00774	MOTOR, 1/3 HP, OD (M3, M6, M7)
0131L00024	MOTOR, 3 HP BELT DRIVE 230V (M1, M2)
0131L00030	MOTOR, 3 HP BELT DRIVE 460 V (M3, M6, M7)
0131L00027	MOTOR, 3 HP BELT DRIVE 575 V (M4, M5)
0164L00019	NOTCHED FAN BELT AX49
10135604	RELAY (QTY 2)
0130M00242	RELAY, 24V (QTY 2)
0130L00070	ROTARY MANUAL MOTOR PROTECTOR (M3, M6, M7)
0130L00084	ROTARY MANUAL MOTOR PROTECTOR (M1, M2)
0130L00083	ROTARY MANUAL MOTOR PROTECTOR (M1, M2)
0130L00082	ROTARY MANUAL MOTOR PROTECTOR (M3, M4, M5, M6, M7)
0130M00038	TERMINAL BOARD
0130M00144	TRANSFORMER (M1, M2)
0130M00145	TRANSFORMER 480V to 24V, 75VA (M3, M6, M7)
0130M00148	TRANSFORMER 575V to 24V, 75VA (M4, M5)

### Expanded Model Nomenclature

- |                        |
|------------------------|
| M1 - DCC150XXX3VHXAAA  |
| M2 - DCC150XXX3VXXXAA  |
| M3 - DCC150XXX4VXXXAA  |
| M4 - DCC150XXX7VXXXAA  |
| M5 - DCC150XXX7VXXXAB  |
| M6 - DCC1500304VWXXXAA |
| M7 - DCC1500304VXDZAA  |

# Cabinet Assembly



# Cabinet Assembly

Ref. Part No:	Description:	Ref. Part No:	Description:
---------------	--------------	---------------	--------------

**Image 1:**

11	0121L00979RFNG	CORNER POST (QTY 4)
11	0121L01421RFNG	CORNER POST, RF PAINTED (M7)
21	0152L00001	GRILLE-CONDENSER (QTY 2)
31	0121L00980RFNG	ROLL FORM SIDE POST (M1, M2, M3, M4, M5, M6)
31	0121L01423RFNG	SIDE POST (M7)
41	0121L00759NG	FILTER DOOR
51	0121L01433RFNG	FILTER DOOR POST (M7)
51	0121L00757RFNG	FILTER POST (M1, M2, M3, M4, M5, M6)
61	0121L00378NG	ECONOMIZER DOOR (M1, M2, M3, M4, M5, M7)
71	0121L01287NG	DUCT PANEL (M2, M3, M4, M5, M7)
71	0121L01367NG	DUCT PANEL (M1, M6)
81	0121L00082NG	RETURN DUCT COVER
91	0121L00099NG	SUPPLY DUCT COVER
101	0121L01078NG	CONTROL DOOR
111	0121L02475RFNG	CONTROL POST, ROLLED FORM, PNT (M1, M2, M3, M4, M5, M6)
111	0121L02477RFNG	CONTROL POST, ROLLED FORM, PNT (M7)
121	0121L00767NG	ELECTRIC HEAT DOOR
131	0121L00819NG	BLOWER DOOR
141	0121L00765RFNG	BURNER BOX POST
161	0121L00828NG	BURNER AREA DOOR
231	0121L01099RF	RAIL, BASE SIDES RF (QTY 2)
241	0121L00834RF	RAIL-BASE COND END
251	0121L00071RF	RAIL, BASE DUCT END
261	0121G00301	RAIL CORNER BRACKET (QTY 4)
NS	0121L00055	BRACKET-FORK BOARD (QTY 4)
NS	0121L00727	ECONOMIZER COVER (M6)
NS	0141L00006X	FORK BOARD (QTY 2)
NS	0164L00009	GASKET-RUBBER, CPOST (QTY 3)
NS	0164L00011	GASKET-RUBBER, SIDE POST (QTY 4)

**Expanded Model Nomenclature**

M1 - DCC150XXX3VHXAAA
M2 - DCC150XXX3VXXXAA
M3 - DCC150XXX4VXXXAA
M4 - DCC150XXX7VXXXAA
M5 - DCC150XXX7VXXXAB
M6 - DCC1500304VWXXAA
M7 - DCC1500304VXDZAA

# Top Panel and Tubing Assembly

IMAGE 1

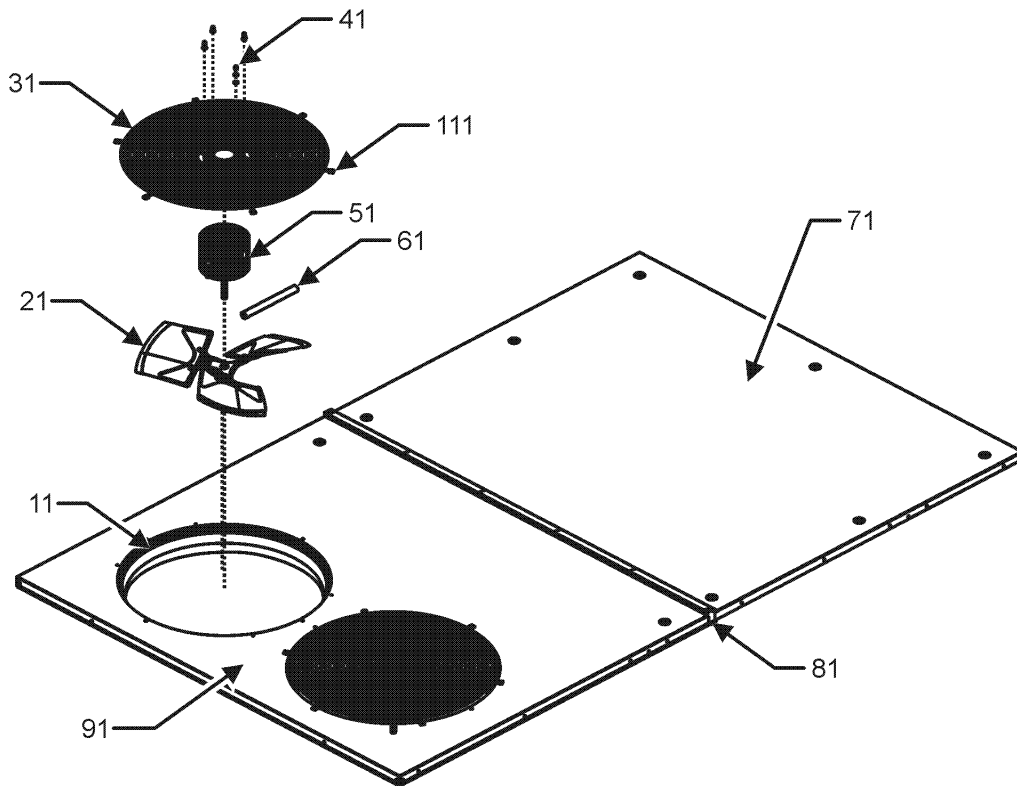
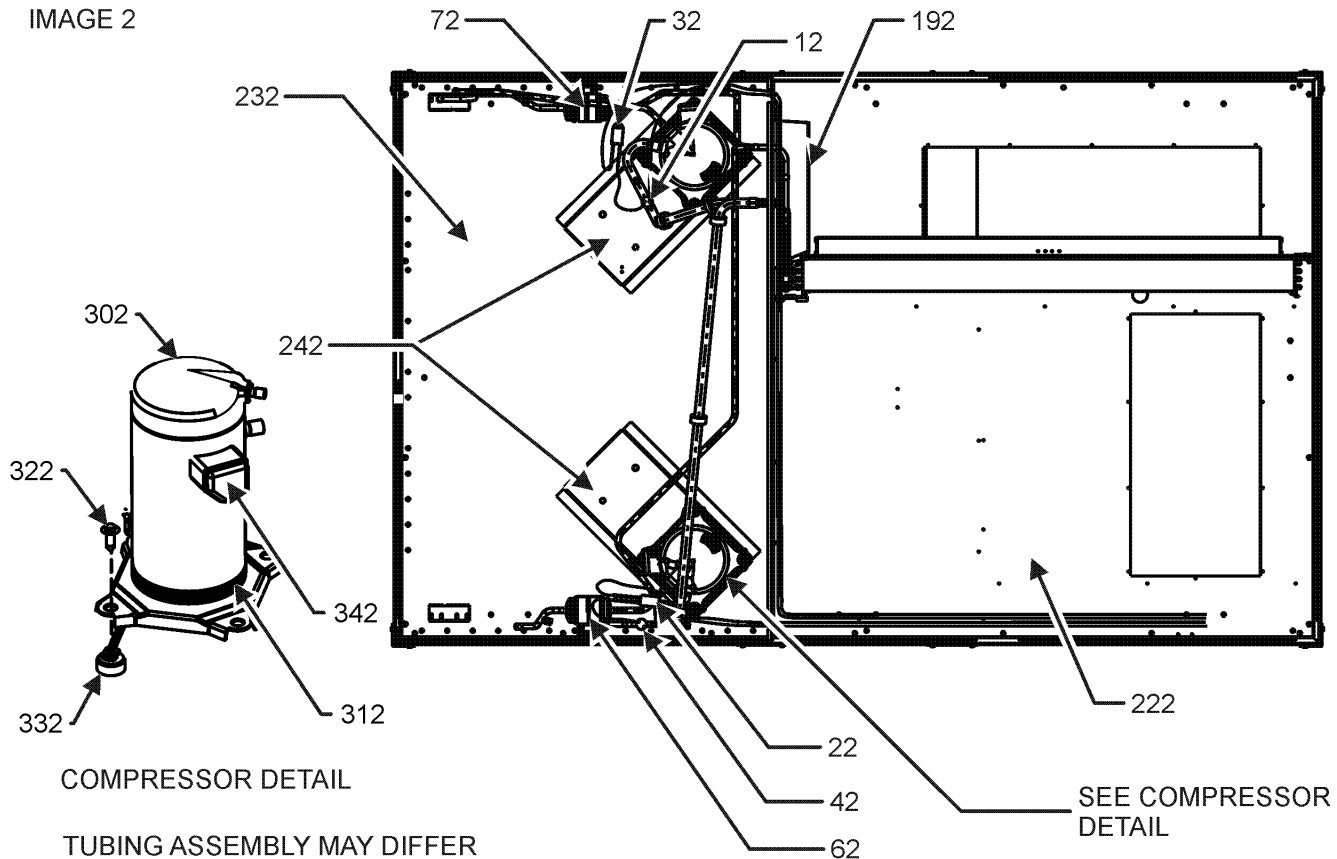


IMAGE 2



COMPRESSOR DETAIL

TUBING ASSEMBLY MAY DIFFER FROM WHAT IS SHOWN

SEE COMPRESSOR DETAIL

# Top Panel and Tubing Assembly

Ref. Part No: No:	Description:	Ref. Part No: No:	Description:
-------------------	--------------	-------------------	--------------

**Image 1:**

11	0161L00000	VENTURI RING 22" (QTY 2)
21	10625733	FAN BLADE 22" ALUM CCW (QTY 2)
31	0152G00003	FAN GRILLE (M4)
31	0152G00000	FAN GRILLE, RAISED (M1, M2, M3, M5, M6, M7)
41	0163M00006P	ACORN NUT 5/16 HEX BLACK (QTY 8)
51	0131M00430	COND MOTOR 1/3 HP, 1 SP, 6 PL (M1, M2)
51	0131M00179	COND MOTOR 1/3 HP, 6 PL, 575V (M4)
51	0131M00500	COND MOTOR 1/3 HP, OD, LAK (M5)
51	0131M00774	MOTOR, 1/3 HP, OD (M3, M6, M7)
61	0163M00386	CONDUIT-FLEXIBLE
71	0121L00497NG	TOP INDOOR
81	20455902	SPLICE GASKET .50 X .25 (QTY 5)
91	0121L01105NG	TOP OUTDOOR
111	0163M00005P	WASHER, BLACK (.50 OD .218ID) (QTY 8)
NS	0163M00004	SCREW #10X3/4", BLACK (QTY 4)

**Image 2:**

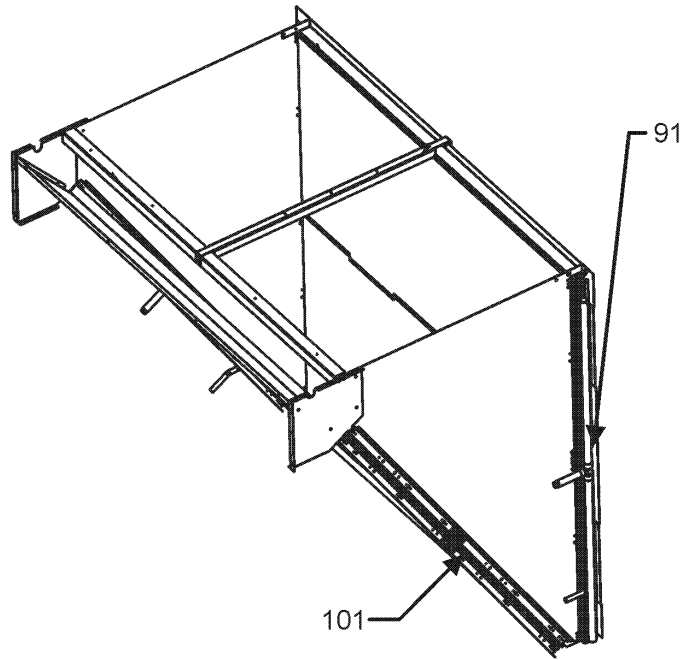
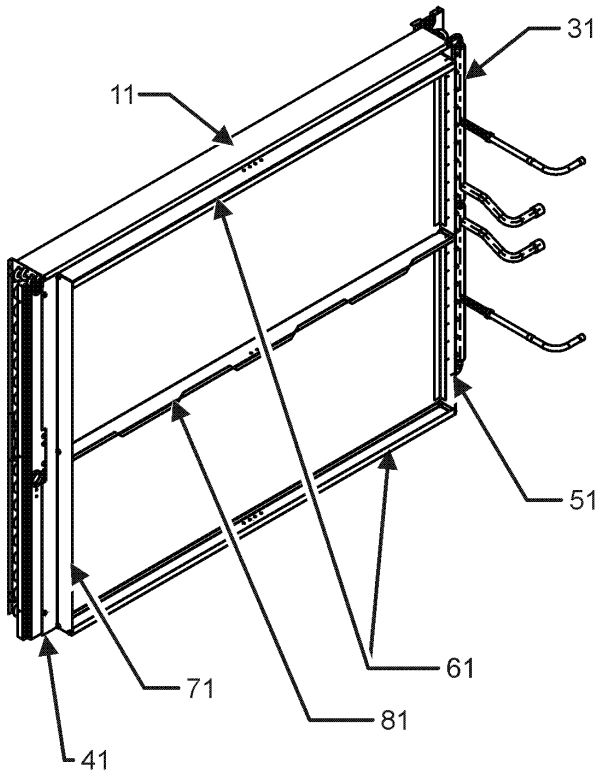
12	0130M00075	LOW PRESSURE SWITCH
22	0130M00075	CUT-OUT SWITCH, LOW PRESSURE
32	0130M00074	HIGH PRESSURE SWITCH
42	0130M00074	CUT-OUT SWITCH, HIGH PRESSURE
62	0151M00012	FILTER/DRIER BI-FLOW
72	0151M00012	BI-FLOW FILTER DRIER
192	0121L02362	DRIP SHIELD-EVAP
222	0121L00944	BASE PAN INDOOR
232	0121L02129	BASEPAN, OUTDOOR
242	0121L02128	MOUNTING PLATE-COMPRESSOR (QTY 2)
302	ZP67KCETFD130	COMPRESSOR 67000, 460/60/3 (M3, M6, M7)
302	ZP67KCETF5130	COMPRESSOR 67500, 200/230/60/3 (M1, M2)
302	ZP67KCETFE130	COMPRESSOR 67500, 575/60/3 (M4, M5)
322	M0221641	TF SHOULDER SCREW (QTY 8)
332	B1339533	COMPRESSOR GROMMET (QTY 8)
342	0259L00511	COND MOTOR HARNESS 230V
342	0259L00512	COND MOTOR HARNESS 230V
NS	B1373315	ACCESS FITTING (QTY 4)
NS	0163M00175	CAP WITH O-RING (QTY 4)

**Expanded Model Nomenclature**

M1 - DCC150XXX3VHXAAA
M2 - DCC150XXX3VXXXAA
M3 - DCC150XXX4VXXXAA
M4 - DCC150XXX7VXXXAA
M5 - DCC150XXX7VXXXAB
M6 - DCC1500304VWXXXAA
M7 - DCC1500304VXDZAA

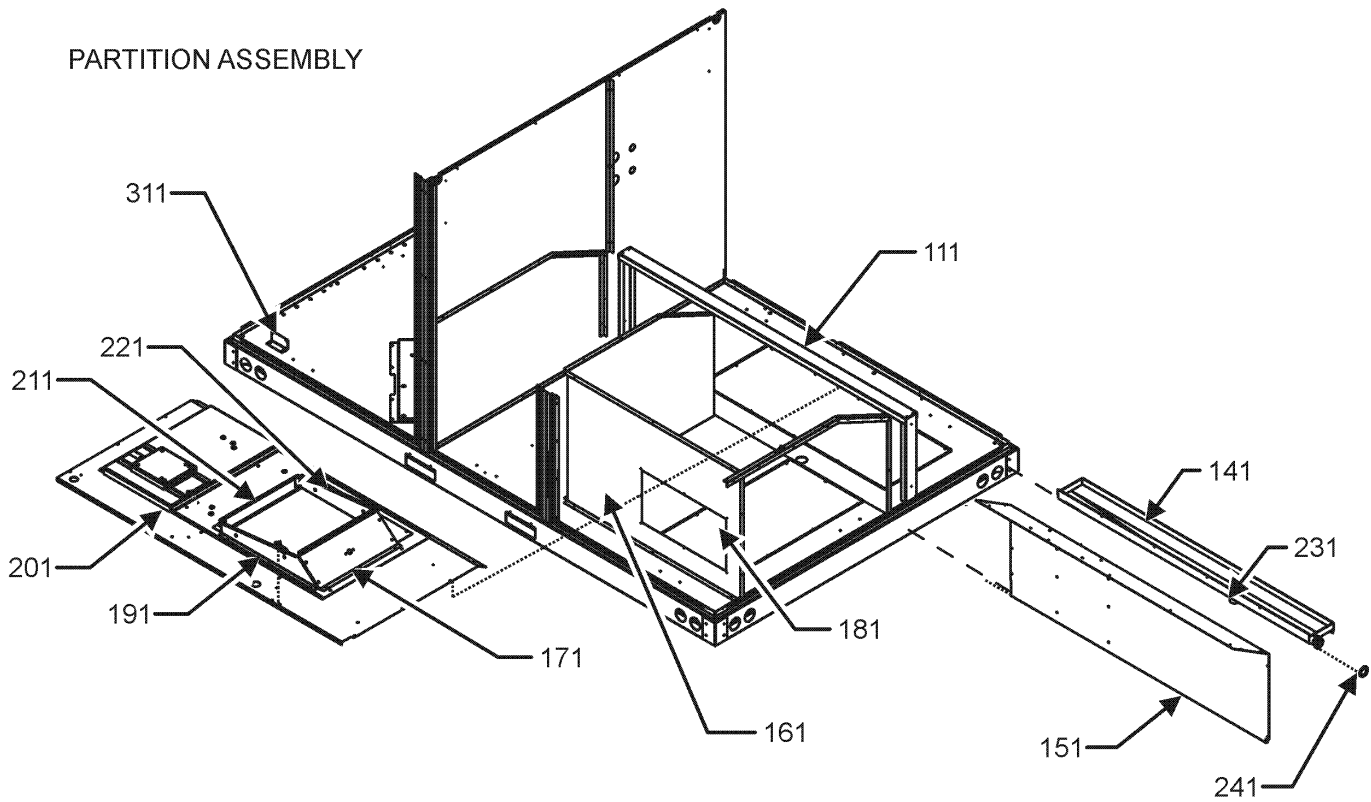
# Partition, Evaporator & Condenser Assy

## EVAPORATOR ASSEMBLY



## CONDENSER ASSEMBLY

## PARTITION ASSEMBLY



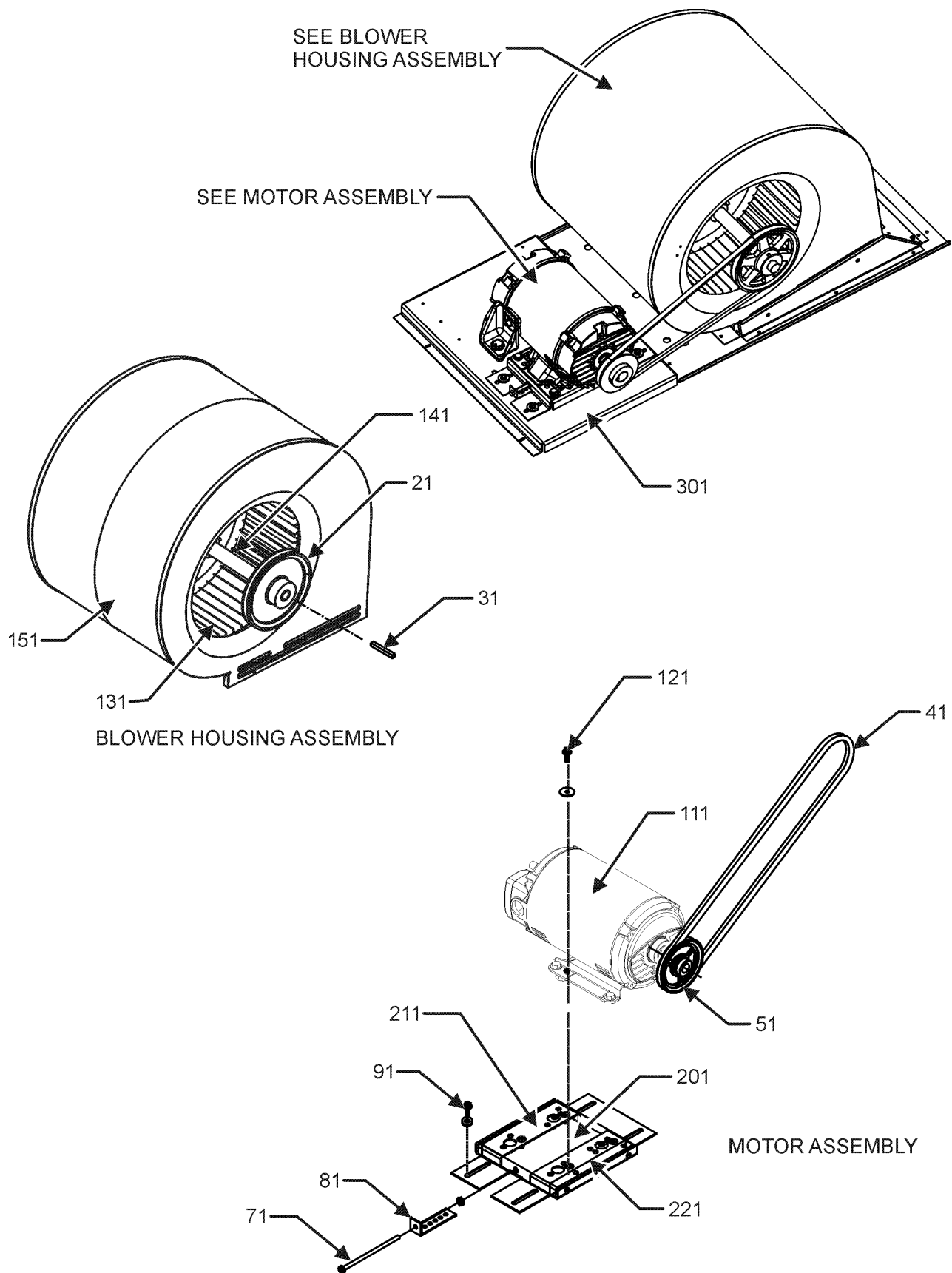
# Partition, Evaporator & Condenser Assy

Ref. Part No:	No:	Description:	Ref. Part No:	No:	Description:
<i>Image 1:</i>					
11	0202L00079	TUBING ASSY, EVAP COIL			
31	0121L00517	BLOCKOFF-EVAPORATOR, RET END			
41	0121L00845	EVAP EXTENSION-HAIRPIN SIDE			
51	0121L00519	FILTER ANGLE-VERTICAL (RETURN SIDE)			
61	0121L00399	FILTER ANGLE-HORIZONTAL (QTY 2)			
71	0121L00520	FILTER ANGLE-VERTICAL (HAIRPIN SIDE)			
81	0121L01258	ANGLE-FILTER HORIZONTAL			
91	0201L00197	COND COIL ASSY, 5MM C1			
101	0201L00198	COND COIL ASSY, 5MM C2			
111	0121L00372	DRAIN PAN SUPPORT			
141	0161L00002	DRAIN PAN			
151	0121L00374	DECK SIDE CHANNEL			
161	0121L00365	ELECTRIC HEAT PANEL			
171	0121L00168	BLOWER TRANSITION, RH END			
181	0121L00177	ELECTRIC HEAT COVER			
191	0121L00092	BLOWER TRANSITION, FRONT			
201	0121L02106	BLOWER DECK			
211	0121L00169	BLOWER TRANSITION, LH END			
221	0121L00094	BLOWER TRANSITION, BACK			
231	0163L00071	DRAIN PLUG			
241	0154L00009	DRAIN PAN GASKET			
311	0121L00914	BRACE, CONDENSER (QTY 2)			
NS	0160L00137	Air Filter 20x25x2 (QTY 4)			
NS	0121L01079	BLOCKOFF, CONTROL BOX			
NS	0121L01398	DECK, SUPPORT BLOWER (M7)			
NS	0121L01402	DECK, SUPPORT CONTROL (M7)			
NS	0121L00321	SMOKE DETECTOR COVER (QTY 2)			

## Expanded Model Nomenclature

M1 - DCC150XXX3VHXAAA
M2 - DCC150XXX3VXXXAA
M3 - DCC150XXX4VXXXAA
M4 - DCC150XXX7VXXXAA
M5 - DCC150XXX7VXXXAB
M6 - DCC1500304VWXXAA
M7 - DCC1500304VXDZAA

# Blower Assembly



# Blower Assembly

Ref. Part No: No:	Description:	Ref. Part No: No:	Description:
-------------------	--------------	-------------------	--------------

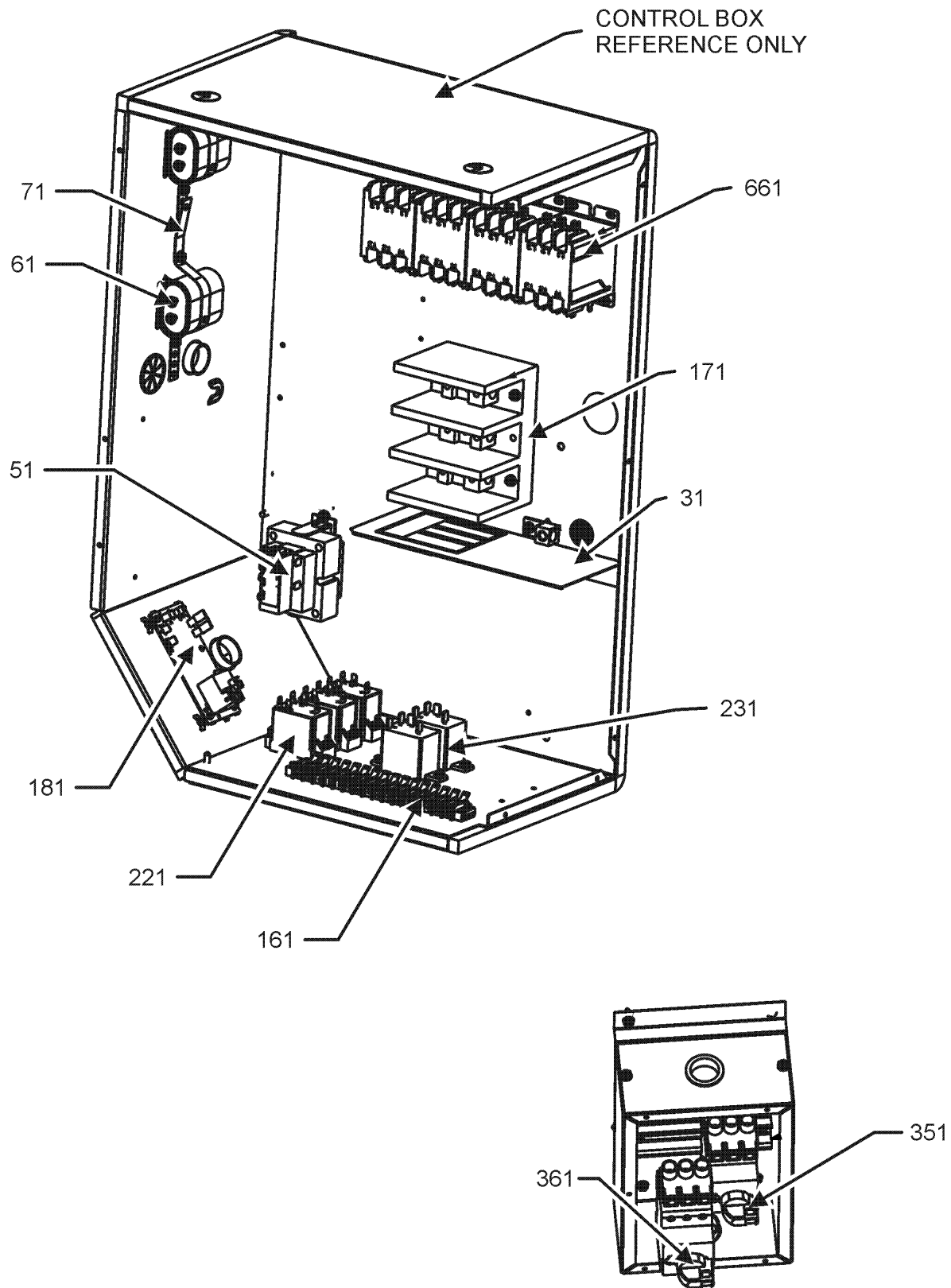
**Image 1:**

21	0163L00142	SHEAVE, FIXED AK71H
31	B1398604	STEEL KEY (000158812) 2.0"
41	0164L00019	NOTCHED FAN BELT AX49
51	0163L00066	VP SHEAVE
71	0163M00045	BOLT 1/4-20 X 4"
81	3225000F	BELT TIGHTENER ANGLE
91	B1446707	SCREW 5/16-18 X 1" (QTY 8)
111	0131L00024	MOTOR, 3 HP BELT DRIVE 230V (M1, M2)
111	0131L00030	MOTOR, 3 HP BELT DRIVE 460 V (M3, M6, M7)
111	0131L00027	MOTOR, 3 HP BELT DRIVE 575 V (M4, M5)
121	B1393738	BOLT 1/4-20 X 3/4" (QTY 8)
131	03-78497	BLOWER WHEEL
141	04-11526	BLOWER SHAFT
151	04-01526	BLOWER HOUSING
201	0121L01459	PLATE-MOTOR MOUNTING
211	0121L01460	ANGLE-MOTOR MOUNT, FRONT
221	0121L01461	ANGLE-MOTOR MOUNT, BACK
301	0121L01504	MOTOR BASE
NS	04-02196	BEARING & FRAME ASSY
NS	0259L00160	HARNESS-BELT DRIVE 2 SP MOTOR

**Expanded Model Nomenclature**

M1 - DCC150XXX3VHXAAA
M2 - DCC150XXX3VXXXAA
M3 - DCC150XXX4VXXXAA
M4 - DCC150XXX7VXXXAA
M5 - DCC150XXX7VXXXAB
M6 - DCC1500304VWXXAA
M7 - DCC1500304VXDZAA

# Control Box Assembly



# Control Box Assembly

Ref. Part No: No:	Description:	Ref. Part No: No:	Description:
-------------------	--------------	-------------------	--------------

**Image 1:**

31	0121G00491	VOLTAGE BARRIER
51	0130M00144	TRANSFORMER (M1, M2)
51	0130M00145	TRANSFORMER 480V to 24V, 75VA (M3, M6, M7)
51	0130M00148	TRANSFORMER 575V to 24V, 75VA (M4, M5)
61	CAP100000370LA	CAPACITOR 10/370V (M1, M2, M3, M6, M7)
61	CAP050000370LA	CAPACITOR 5/370V (M4)
61	CAP050000440LA	CAPACITOR 5/440V (M5)
71	20520901	CAPACITOR STRAP (QTY 8)
161	0130M00038	TERMINAL BOARD
171	0130M00042	BLOCK, DISTRIB. 7.5-25 TON
181	PCBFM103	ELECTRONIC BLOWER TIME DELAY
221	10135604	RELAY (QTY 2)
231	0130M00242	RELAY, 24V (QTY 2)
351	0130L00070	ROTARY MANUAL MOTOR PROTECTOR (M3, M6, M7)
351	0130L00082	ROTARY MANUAL MOTOR PROTECTOR (M4, M5)
351	0130L00084	ROTARY MANUAL MOTOR PROTECTOR (M1, M2)
361	0130L00082	ROTARY MANUAL MOTOR PROTECTOR (M3, M4, M5, M6, M7)
361	0130L00083	ROTARY MANUAL MOTOR PROTECTOR (M1, M2)
661	CONT3P030024V	CONTACTOR 30 AMP, 3P, 24V (QTY 4)
NS	0259L00153	2 SPEED CONTROL HARNESS
NS	0259L00155	2 SPEED RELAY HARNESS
NS	0259L00161	CIRCUIT BREAKER HARNESS
NS	0259L00165	ECONOMIZER HARNESS
NS	0259L00160	HARNESS-BELT DRIVE 2 SP MOTOR
NS	0259L00092	HARNESS-SMOKE DETECTOR SENSOR (M7)
NS	0259L00032	LCM HARNESS, ELECTRIC HEAT
NS	0259L00502	WIRE HARNESS
NS	0259L00148	WIRE HARNESS ASSY
NS	0259L00149	WIRE HARNESS ASSY
NS	0259L00152	WIRE HARNESS ASSY
NS	0259L00158	WIRE HARNESS ASSY
NS	0259L00090	WIRE HARNESS-SMOKE DETECTOR (M7)

**Expanded Model Nomenclature**

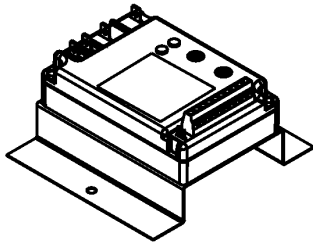
M1 - DCC150XXX3VHXAAA
M2 - DCC150XXX3VXXXAA
M3 - DCC150XXX4VXXXAA
M4 - DCC150XXX7VXXXAA
M5 - DCC150XXX7VXXXAB
M6 - DCC1500304VWXXAA
M7 - DCC1500304VXDZAA

# Accessory Part List

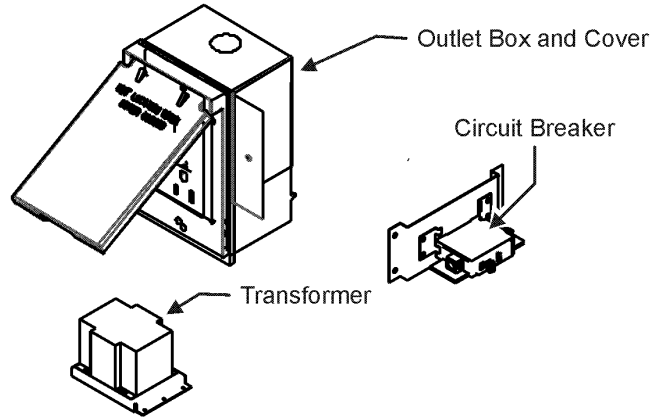
## ACCESSORY PARTS LIST

NOTE: NOT ALL OPTIONS AVAILABLE FOR ALL PRODUCTS

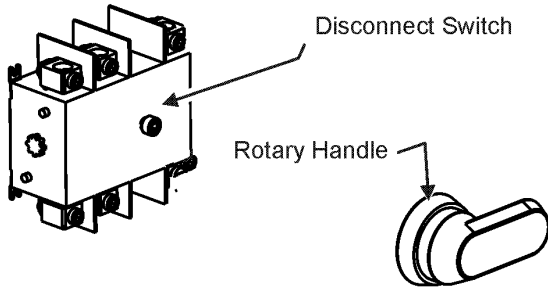
### 1 LOW AMBIENT KITS



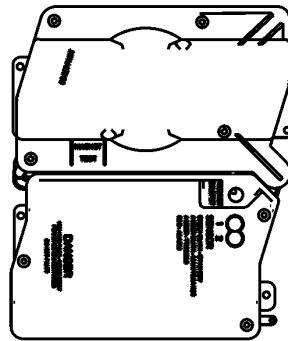
### 2 GFCI CONVENIENCE OUTLET



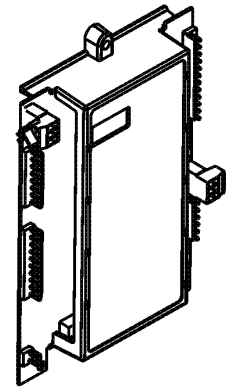
### 3 DISCONNECT MODULE (NON-FUSED)



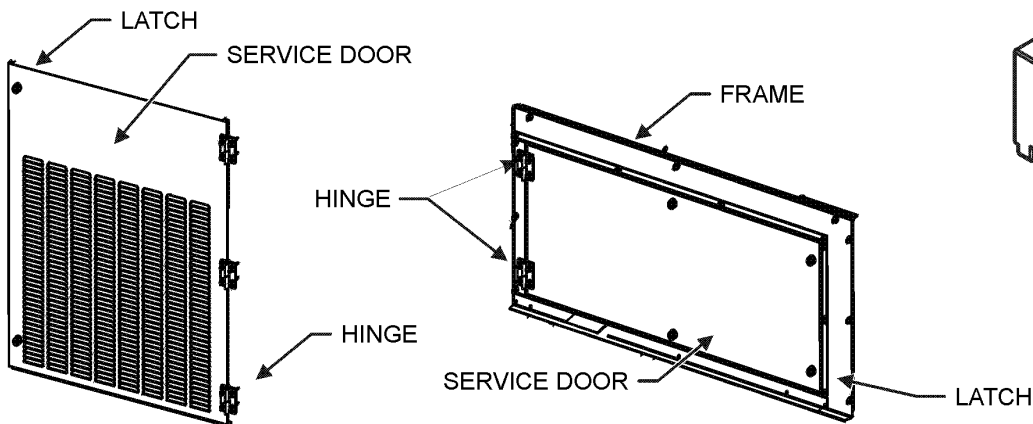
### 4 SMOKE DETECTORS



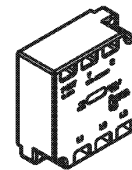
### 5 DDC CONTROL



### 6 HINGED DOOR ASSEMBLIES



### 7 PHASE MONITOR



# Accessory Part List

Ref. Part No:	Part No:	Description:	Ref. Part No:	Part No:	Description:
<i>Image 1:</i>					
NS	DDNECNJ90150B	7.5-12.5 TON DFLOW ECON (M6)			
NS	0121L00316	BRACKET-CONV OUTLET MOUNT (M1)			
NS	0121L00768	BRACKET-SMOKE DETECTOR (M7)			
NS	0121L00973NG	DISCONNECT SWITCH COVER (M1, M6)			
NS	0121L01414NG	DOOR FRAME, BLOWER (M7)			
NS	0121L01417NG	DOOR FRAME, CONTROL (M7)			
NS	EHK4-30	ELECTRIC HEATER KIT (M6, M7)			
NS	0130L00012	GANG BOX-GFCI OUTLET (M1)			
NS	0130L00039	HANDLE, ROTARY (M1, M6)			
NS	0163M00307	HINGE, LEFT HAND (M7)			
NS	0163M00308	HINGE, RIGHT HAND (M7)			
NS	0163M00322	LATCH (M7)			
NS	0121L02221NG	PNT, DOOR FRAME, FILTER (M7)			
NS	0121L02222NG	PNT, SERVICE DOOR BACK FILTER (M7)			
NS	0121L02219NG	PNT, SERVICE DOOR FRONT FILTER (M7)			
NS	0161G00012	POWER OUTLET BOX (M1)			
NS	0130L00103	RECEPTACLE-GFCI OUTLET (M1)			
NS	0121L01416NG	SERVICE DOOR BACK, CONTROL (M7)			
NS	0121L01415NG	SERVICE DOOR FRONT, CONTROL (M7)			
NS	0130L00043	SHAFT, CUT (M1)			
NS	0130L00056	SHAFT, CUT (M6)			
NS	0130L00049	SHAFT, DISCONNECT (M1, M6)			
NS	D4120	SMOKE DETECTOR, PHOTO 4WIRE (M7)			
NS	D4S	SMOKE DETECTOR, SENSOR ONLY (M7)			
NS	0130L00027	SWITCH-DISCONNECT 100A (M6)			
NS	0130L00033	SWITCH-DISCONNECT 200A (M1)			

## Expanded Model Nomenclature

- M1 - DCC150XXX3VHXAAA
- M2 - DCC150XXX3VXXXAA
- M3 - DCC150XXX4VXXXAA
- M4 - DCC150XXX7VXXXAA
- M5 - DCC150XXX7VXXXAB
- M6 - DCC1500304VWXXAA
- M7 - DCC1500304VXDZAA