

Commercial 12.5 Ton Package Cooling Units

DCC1500163BHXXAA
DCC1500164BXXXAB
DCC1500303BFXXAA
DCC1500303BHXFAA
DCC1500304BHXJAB
DCC1500304BVDJAB
DCC1500304BVDZAB
DCC1500304BXXXAB
DCC1500454BAXJAB
DCC1500454BHXBAB
DCC1500454BWXAAAB
DCC150XXX3BHDBAA
DCC150XXX3BHXXAA
DCC150XXX3BJXAAA
DCC150XXX3BXDXAA
DCC150XXX3BXXXAA
DCC150XXX3BXXXAB
DCC150XXX4BHXAAB
DCC150XXX4BHXXAB
DCC150XXX4BVXZAB
DCC150XXX4BXXBAB
DCC150XXX4BXXEAB
DCC150XXX4BXXXAA
DCC150XXX4BXXXAB
DCC150XXX4BXXXAC
DCC150XXX7BBXXAB
DCC150XXX7BFXXAB
DCC150XXX7BXXXAA
DCC150XXX7BXXXAB



This manual is to be used by qualified technicians only.

This manual replaces RP-D1025P.

Important Information

Index

Functional Parts List	3
Illustration and Parts	4 - 15

Views shown are for parts illustrations only, not servicing procedures

Text Codes:

AR - As Required

NA - Not Available

NS - Not Shown

00000000 - See Note

QTY - Quantity Example (QTY 3) (If Quantity not shown, Quantity = 1)

M - Model Example (M1) (If M Code not shown, then part is used on all Models)

Expanded Model Nomenclature:

Example M1 - Model#1 M2 - Model#2 M3 - Model#3

Daikin Company, L.P. is not responsible for personal injury or property damage resulting from improper service. Review all service information before beginning repairs.

Warranty service must be performed by an authorized technician, using authorized factory parts. If service is required after the warranty expires, Daikin Company, L.P. also recommends contacting an authorized technician and using authorized factory parts.

Daikin Company, L.P. reserves the right to discontinue, or change at any time, specifications or designs without notice or without incurring obligations.

For assistance within the U.S.A. contact:

Equipment Support
Daikin North America, LLC
19001 Kermier Road
Waller, Texas 77484
855-770-5678-Telephone
713-863-2382-Facsimile

For assistance outside the U.S.A. contact:

International Division
Daikin North America, LLC
19001 Kermier Road
Waller, Texas 77484
713-861-2500-Telephone
713-863-2382-Facsimile

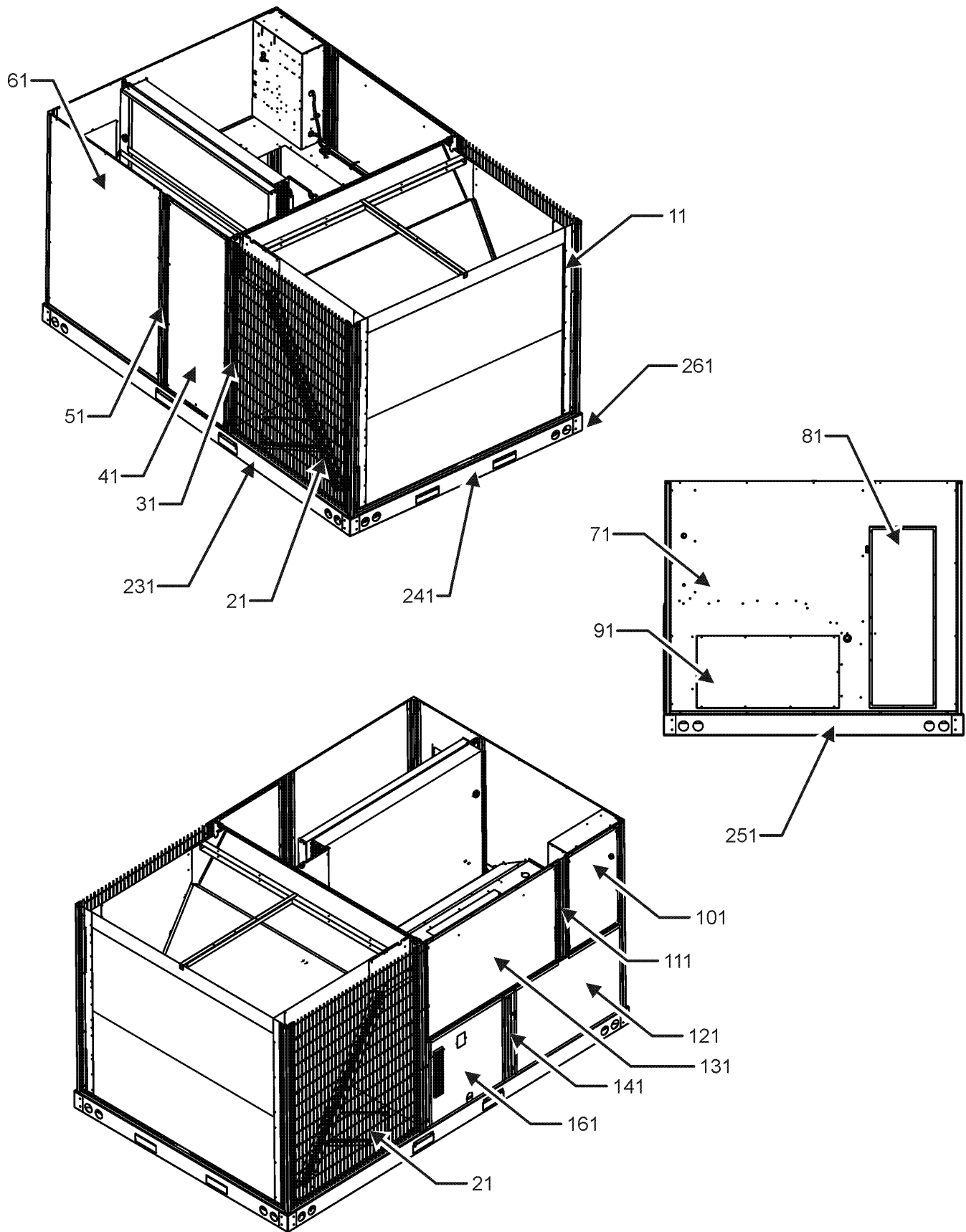
Functional Parts

Part

No: Description:

Part No:	Description:	Expanded Model Nomenclature
B3240004	BELT DRIVE MOTOR 2 HP (M1, M2, M3, M4, M5, M6, M7, M8, M9, M10, M11, M12, M13, M14, M19, M20, M21, M22, M23, M24, M25, M26, M27, M28, M29)	M1 - DCC150XXX3BHDBAA M2 - DCC150XXX3BHXXAA M3 - DCC150XXX3BJXAAA M4 - DCC150XXX3BXDXAA M5 - DCC150XXX3BXXXAA M6 - DCC150XXX3BXXXAB M7 - DCC150XXX4BHXAAB M8 - DCC150XXX4BHXXAB M9 - DCC150XXX4BVXZAB M10 - DCC150XXX4BXXBAB M11 - DCC150XXX4BXXEAB M12 - DCC150XXX4BXXXAA M13 - DCC150XXX4BXXXAB M14 - DCC150XXX4BXXXAC M15 - DCC150XXX7BBXXAB M16 - DCC150XXX7BFXXAB M17 - DCC150XXX7BXXXAA M18 - DCC150XXX7BXXXAB M19 - DCC1500163BHXXAA M20 - DCC1500164BXXXAB M21 - DCC1500303BFXXAA M22 - DCC1500303BHXFAA M23 - DCC1500304BHXJAB M24 - DCC1500304BVDJAB M25 - DCC1500304BVDZAB M26 - DCC1500304BXXXAB M27 - DCC1500454BAXJAB M28 - DCC1500454BHXBAB M29 - DCC1500454BWXAAB
0131L00006	BELT DRIVE MOTOR 3 HP 575 V (M15, M16, M17, M18)	
03-78497	BLOWER WHEEL	
CAP100000370LA	CAPACITOR 10/370V (M1, M2, M3, M4, M5, M6, M7, M8, M9, M10, M11, M13, M14, M19, M20, M21, M22, M23, M24, M25, M26, M27, M28, M29)	
CAP050000370LA	CAPACITOR 5/370V (M12, M17)	
CAP050000440LA	CAPACITOR 5/440V (M15, M16, M18)	
ZP67KCETFD130	COMPRESSOR 67000, 460/60/3 (M7, M8, M9, M10, M11, M12, M13, M14, M20, M23, M24, M25, M26, M27, M28, M29)	
ZP67KCETF5130	COMPRESSOR 67500, 200/230/60/3 (M1, M2, M3, M4, M5, M6, M19, M21, M22)	
ZP67KCETFE130	COMPRESSOR 67500, 575/60/3 (M15, M16, M17, M18)	
0131M00430	COND MOTOR 1/3 HP, 1 SP, 6 PL (M1, M2, M3, M4, M5, M6, M19, M21, M22)	
B13400249	COND MOTOR 1/3 HP, 460V (M12)	
0131M00179	COND MOTOR 1/3 HP, 6 PL, 575V (M17)	
0131M00500	COND MOTOR 1/3 HP, OD, LAK (M15, M16, M18)	
CONT3P030024V	CONTACTOR 30 AMP, 3P, 24V (QTY 3)	
0130M00074	CUT-OUT SWITCH, HIGH PRESSURE (QTY	
0130L00112	Duct Temp Sensor (M15, M16, M21)	
PCBFM103	ELECTRONIC BLOWER TIME DELAY (M1, M2, M3, M4, M5, M6, M7, M8, M9, M10, M11, M12, M13, M14, M17, M18, M19, M20, M22, M23, M24, M25, M26, M27, M28, M29)	
10625733	FAN BLADE 22" ALUM CCW (QTY 2)	
0130M00075	LOW PRESSURE SWITCH (QTY 2)	
0131M00774	MOTOR, 1/3 HP, OD (M7, M8, M9, M10, M11, M13, M14, M20, M23, M24, M25, M26, M27, M28, M29)	
0164L00001	NOTCHED FAN BELT AX49	
0130L00108	OD Air Temp Sensor (M15, M16, M21)	
0130M00038	TERMINAL BOARD (M1, M2, M3, M4, M5, M6, M7, M8, M9, M10, M11, M12, M13, M14, M17, M18, M19, M20, M22, M23, M24, M25, M26, M27, M28, M29)	
0130M00144	TRANSFORMER (M1, M2, M3, M4, M5, M6, M19, M21, M22)	
0130M00145	TRANSFORMER 480V to 24V, 75VA (M7, M8, M9, M10, M11, M12, M13, M14, M20, M23, M24, M25, M26, M27, M28, M29)	
0130M00148	TRANSFORMER 575V to 24V, 75VA (M15, M16, M17, M18)	

Cabinet Assembly



Cabinet Assembly

Ref. Part No: No:	Description:	Ref. Part No: No:	Description:
<i>Image 1:</i>		Expanded Model Nomenclature	
11	0121L00979RFNG CORNER POST (QTY 3)	M1	- DCC150XXX3BHDBAA
11	0121L01421RFNG CORNER POST, RF PAINTED (M1, M4, M24, M25)	M2	- DCC150XXX3BHXXAA
21	0152L00001 GRILLE-CONDENSER (QTY 2)	M3	- DCC150XXX3BJXAAA
31	0121L00980RFNG ROLL FORM SIDE POST (M2, M3, M5, M6, M7, M8, M9, M10, M11, M12, M13, M14, M15, M16, M17, M18, M19, M20, M21, M22, M23, M26, M27, M28, M29)	M4	- DCC150XXX3BXDXAA
31	0121L01423RFNG SIDE POST (M1, M4, M24, M25)	M5	- DCC150XXX3BXXXAA
41	0121L00759NG FILTER DOOR	M6	- DCC150XXX3BXXXAB
51	0121L01433RFNG FILTER DOOR POST (M1, M4, M24, M25)	M7	- DCC150XXX4BHXAAB
51	0121L00757RFNG FILTER POST (M2, M3, M5, M6, M7, M8, M9, M10, M11, M12, M13, M14, M15, M16, M17, M18, M19, M20, M21, M22, M23, M26, M27, M28, M29)	M8	- DCC150XXX4BHXXAB
61	0121L00378NG ECONOMIZER DOOR (M1, M2, M4, M5, M6, M7, M8, M10, M11, M12, M13, M14, M15, M17, M18, M19, M20, M22, M23, M26, M28)	M9	- DCC150XXX4BVXZAB
71	0121L01287NG DUCT PANEL (M4, M5, M6, M9, M10, M11, M12, M13, M14, M15, M16, M17, M18, M20, M21, M25, M26)	M10	- DCC150XXX4BXXBAB
71	0121L01365NG DUCT PANEL (M7)	M11	- DCC150XXX4BXXEAB
71	0121L01367NG DUCT PANEL (M1, M2, M3, M8, M19, M22, M23, M28, M29)	M12	- DCC150XXX4BXXXAA
71	0121L01368NG DUCT PANEL (M24, M27)	M13	- DCC150XXX4BXXXAB
81	0121L00082NG RETURN DUCT COVER	M14	- DCC150XXX4BXXXAC
91	0121L00099NG SUPPLY DUCT COVER	M15	- DCC150XXX7BBXXAB
101	0121L01078NG CONTROL DOOR	M16	- DCC150XXX7BFXXAB
111	0121L02305RFNG RF, PAINTED CONTROL POST 12.5 (M2, M3, M5, M6, M7, M8, M9, M10, M11, M12, M13, M14, M15, M16, M17, M18, M19, M20, M21, M22, M23, M26, M27, M28, M29)	M17	- DCC150XXX7BXXXAA
111	0121L02518RFNG RF, PNT CNTL POST HINGED 12.5 (M1, M4, M24, M25)	M18	- DCC150XXX7BXXXAB
121	0121L00767NG ELECTRIC HEAT DOOR	M19	- DCC1500163BHXXAA
131	0121L00819NG BLOWER DOOR	M20	- DCC1500164BXXXAB
141	0121L00765RFNG BURNER BOX POST	M21	- DCC1500303BFXXAA
161	0121L00828NG BURNER AREA DOOR	M22	- DCC1500303BHXXAA
231	0121L01099RF RAIL, BASE SIDES RF (QTY 2)	M23	- DCC1500304BHXJAB
241	0121L00834RF RAIL-BASE COND END	M24	- DCC1500304BVDJAB
251	0121L00071RF RAIL, BASE DUCT END	M25	- DCC1500304BVDZAB
261	0121G00301 RAIL CORNER BRACKET (QTY 4)	M26	- DCC1500304BXXXAB
NS	0121L00055 BRACKET-FORK BOARD (QTY 4)	M27	- DCC1500454BAXJAB
NS	0121L00727 ECONOMIZER COVER (M9, M24, M25, M29)	M28	- DCC1500454BHXBAB
NS	0121L01310 ECONOMIZER COVER (M3, M16, M21, M27)	M29	- DCC1500454BWXAAB
NS	0141L00006X FORK BOARD (QTY 2)		
NS	0164L00009 GASKET-RUBBER, CPOST (QTY 3)		
NS	0164L00011 GASKET-RUBBER, SIDE POST (QTY 5)		

Top Panel and Tubing Assembly

IMAGE 1

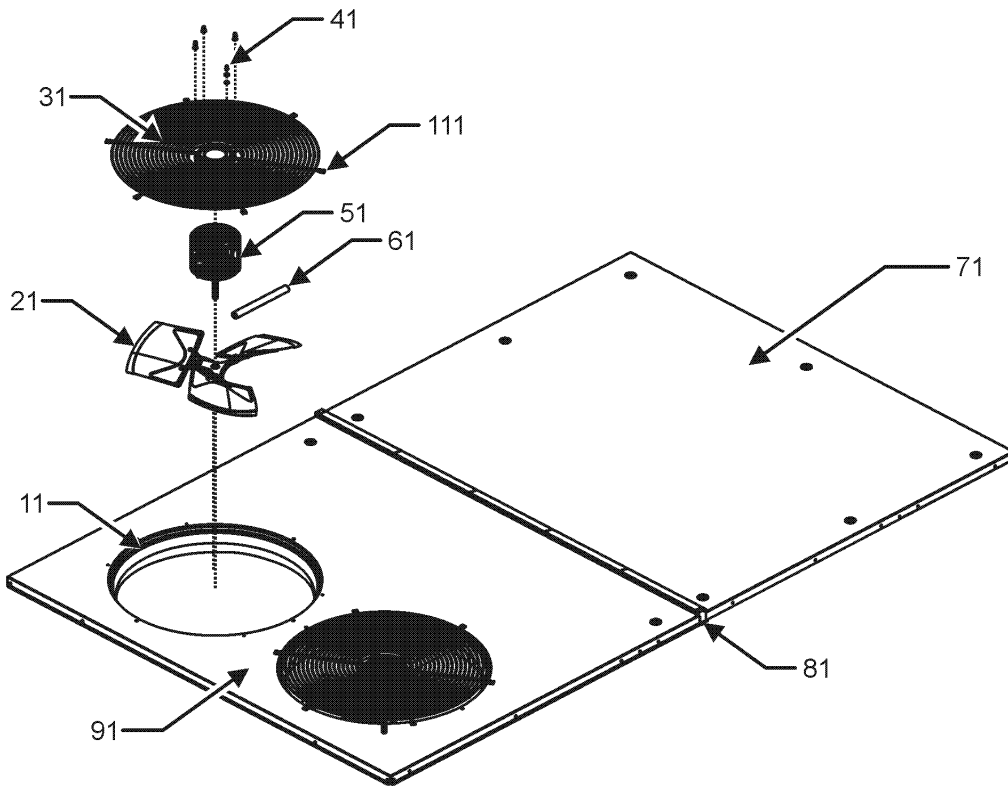
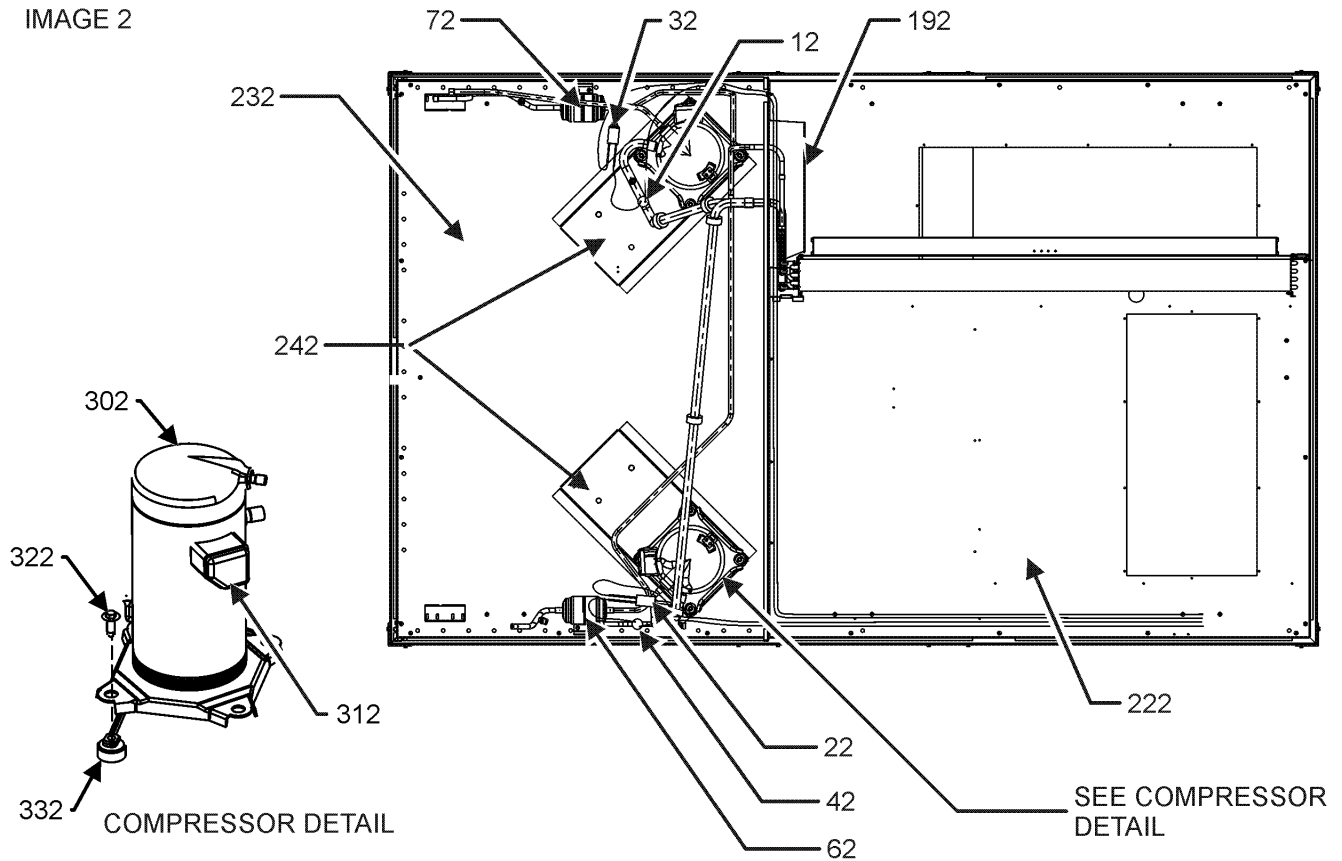


IMAGE 2

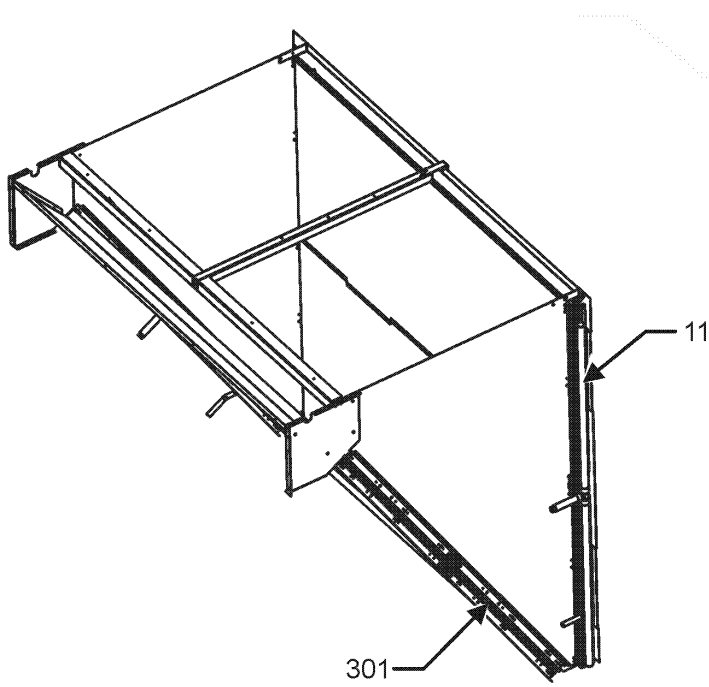


Top Panel and Tubing Assembly

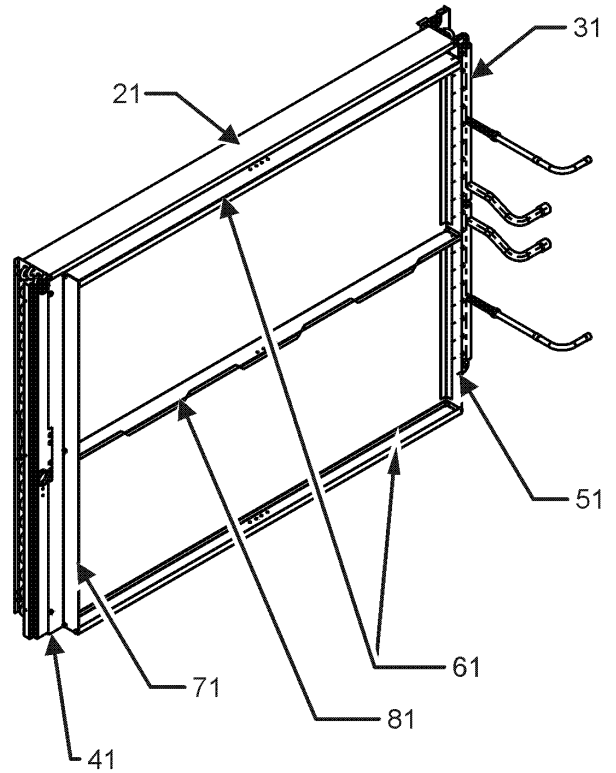
Ref. Part No: No:	Description:	Ref. Part No: No:	Description:																													
Image 1:		Image 2:																														
11	0161L00000 VENTURI RING 22" (QTY 2)	332	B1339533 COMPRESSOR GROMMET (QTY 8)																													
21	10625733 FAN BLADE 22" ALUM CCW (QTY 2)	NS	B1373315 ACCESS FITTING (QTY 4)																													
31	0152G00003 FAN GRILLE (M12, M17)	NS	0163M00175 CAP WITH O-RING (QTY 4)																													
31	0152G00000 FAN GRILLE, RAISED (M1, M2, M3, M4, M5, M6, M7, M8, M9, M10, M11, M13, M14, M15, M16, M18, M19, M20, M21, M22, M23, M24, M25, M26, M27, M28, M29)	Expanded Model Nomenclature																														
41	0163M00006P ACORN NUT 5/16 HEX BLACK (QTY 8)	<table border="1"> <tr><td>M1 - DCC150XXX3BHDBAA</td></tr> <tr><td>M2 - DCC150XXX3BHXXAA</td></tr> <tr><td>M3 - DCC150XXX3BJXAAA</td></tr> <tr><td>M4 - DCC150XXX3BXDXAA</td></tr> <tr><td>M5 - DCC150XXX3BXXXAA</td></tr> <tr><td>M6 - DCC150XXX3BXXXAB</td></tr> <tr><td>M7 - DCC150XXX4BHXAAB</td></tr> <tr><td>M8 - DCC150XXX4BHXXAB</td></tr> <tr><td>M9 - DCC150XXX4BVXZAB</td></tr> <tr><td>M10 - DCC150XXX4BXXBAB</td></tr> <tr><td>M11 - DCC150XXX4BXXEAB</td></tr> <tr><td>M12 - DCC150XXX4BXXXAA</td></tr> <tr><td>M13 - DCC150XXX4BXXXAB</td></tr> <tr><td>M14 - DCC150XXX4BXXXAC</td></tr> <tr><td>M15 - DCC150XXX7BBXXAB</td></tr> <tr><td>M16 - DCC150XXX7BFXXAB</td></tr> <tr><td>M17 - DCC150XXX7BXXXAA</td></tr> <tr><td>M18 - DCC150XXX7BXXXAB</td></tr> <tr><td>M19 - DCC1500163BHXXAA</td></tr> <tr><td>M20 - DCC1500164BXXXAB</td></tr> <tr><td>M21 - DCC1500303BFXXAA</td></tr> <tr><td>M22 - DCC1500303BHXFAA</td></tr> <tr><td>M23 - DCC1500304BHXXAB</td></tr> <tr><td>M24 - DCC1500304BVDJAB</td></tr> <tr><td>M25 - DCC1500304BVDZAB</td></tr> <tr><td>M26 - DCC1500304BXXXAB</td></tr> <tr><td>M27 - DCC1500454BAXJAB</td></tr> <tr><td>M28 - DCC1500454BHXBAB</td></tr> <tr><td>M29 - DCC1500454BWXAAB</td></tr> </table>		M1 - DCC150XXX3BHDBAA	M2 - DCC150XXX3BHXXAA	M3 - DCC150XXX3BJXAAA	M4 - DCC150XXX3BXDXAA	M5 - DCC150XXX3BXXXAA	M6 - DCC150XXX3BXXXAB	M7 - DCC150XXX4BHXAAB	M8 - DCC150XXX4BHXXAB	M9 - DCC150XXX4BVXZAB	M10 - DCC150XXX4BXXBAB	M11 - DCC150XXX4BXXEAB	M12 - DCC150XXX4BXXXAA	M13 - DCC150XXX4BXXXAB	M14 - DCC150XXX4BXXXAC	M15 - DCC150XXX7BBXXAB	M16 - DCC150XXX7BFXXAB	M17 - DCC150XXX7BXXXAA	M18 - DCC150XXX7BXXXAB	M19 - DCC1500163BHXXAA	M20 - DCC1500164BXXXAB	M21 - DCC1500303BFXXAA	M22 - DCC1500303BHXFAA	M23 - DCC1500304BHXXAB	M24 - DCC1500304BVDJAB	M25 - DCC1500304BVDZAB	M26 - DCC1500304BXXXAB	M27 - DCC1500454BAXJAB	M28 - DCC1500454BHXBAB	M29 - DCC1500454BWXAAB
M1 - DCC150XXX3BHDBAA																																
M2 - DCC150XXX3BHXXAA																																
M3 - DCC150XXX3BJXAAA																																
M4 - DCC150XXX3BXDXAA																																
M5 - DCC150XXX3BXXXAA																																
M6 - DCC150XXX3BXXXAB																																
M7 - DCC150XXX4BHXAAB																																
M8 - DCC150XXX4BHXXAB																																
M9 - DCC150XXX4BVXZAB																																
M10 - DCC150XXX4BXXBAB																																
M11 - DCC150XXX4BXXEAB																																
M12 - DCC150XXX4BXXXAA																																
M13 - DCC150XXX4BXXXAB																																
M14 - DCC150XXX4BXXXAC																																
M15 - DCC150XXX7BBXXAB																																
M16 - DCC150XXX7BFXXAB																																
M17 - DCC150XXX7BXXXAA																																
M18 - DCC150XXX7BXXXAB																																
M19 - DCC1500163BHXXAA																																
M20 - DCC1500164BXXXAB																																
M21 - DCC1500303BFXXAA																																
M22 - DCC1500303BHXFAA																																
M23 - DCC1500304BHXXAB																																
M24 - DCC1500304BVDJAB																																
M25 - DCC1500304BVDZAB																																
M26 - DCC1500304BXXXAB																																
M27 - DCC1500454BAXJAB																																
M28 - DCC1500454BHXBAB																																
M29 - DCC1500454BWXAAB																																
51	0131M00430 COND MOTOR 1/3 HP, 1 SP, 6 PL (M1, M2, M3, M4, M5, M6, M19, M21, M22)																															
51	B13400249 COND MOTOR 1/3 HP, 460V (M12)																															
51	0131M00179 COND MOTOR 1/3 HP, 6 PL, 575V (M17)																															
51	0131M00500 COND MOTOR 1/3 HP, OD, LAK (M15, M16, M18)																															
51	0131M00774 MOTOR, 1/3 HP, OD (M7, M8, M9, M10, M11, M13, M14, M20, M23, M24, M25, M26, M27, M28, M29)																															
61	0163M00386 CONDUIT-FLEXIBLE																															
71	0121L00497NG TOP INDOOR																															
81	20455902 SPLICE GASKET .50 X .25 (QTY 5)																															
91	0121L01105NG TOP OUTDOOR																															
111	0163M00005P WASHER, BLACK (.50 OD .218ID) (QTY 8)																															
NS	0259L00026 COND MOTOR HARNESS 460V (M12)																															
NS	0259L00028 COND MOTOR HARNESS 460V (M12)																															
NS	0259L00511 HARNESS COND MOTOR (M1, M2, M3, M4, M5, M6, M7, M8, M9, M10, M11, M13, M14, M15, M16, M17, M18, M19, M20, M21, M22, M23, M24, M25, M26, M27, M28, M29)																															
NS	0259L00512 HARNESS COND MOTOR (M1, M2, M3, M4, M5, M6, M7, M8, M9, M10, M11, M13, M14, M15, M16, M17, M18, M19, M20, M21, M22, M23, M24, M25, M26, M27, M28, M29)																															
NS	0163M00004 SCREW #10X3/4", BLACK (QTY 22)																															
Image 2:																																
12	0130M00075 CUT-OUT SWITCH, LOW PRESSURE																															
22	0130M00075 CUT-OUT SWITCH, LOW PRESSURE																															
32	0130M00074 HIGH PRESSURE SWITCH																															
42	0130M00074 CUT-OUT SWITCH, HIGH PRESSURE																															
62	0151M00012 BI-FLOW FILTER DRIER																															
72	0151M00012 BI-FLOW FILTER DRIER																															
192	0121L01210 DRIP SHIELD-EVAP																															
222	0121L00944 BASE PAN INDOOR																															
232	0121L02129 BASE PAN OUTDOOR																															
242	0121L02128 MOUNTING PLATE-COMPRESSOR (QTY 2)																															
302	ZP67KCETFD130 COMPRESSOR 67000, 460/60/3 (M7, M8, M9, M10, M11, M12, M13, M14, M20, M23, M24, M25, M26, M27, M28, M29)																															
302	ZP67KCETF5130 COMPRESSOR 67500, 200/230/60/3 (M1, M2, M3, M4, M5, M6, M19, M21, M22)																															
302	ZP67KCETFE130 COMPRESSOR 67500, 575/60/3 (M15, M16, M17, M18)																															
312	0159L00066 COMPRESSOR SCROLL HARNESS (M7, M8, M9, M10, M11, M12, M13, M14, M15, M16, M17, M18, M20, M23, M24, M25, M26, M27, M28, M29)																															
312	0159L00068 COMPRESSOR SCROLL HARNESS (M1, M2, M3, M4, M5, M6, M19, M21, M22)																															
312	0159L00069 COMPRESSOR SCROLL HARNESS (M1, M2, M3, M4, M5, M6, M19, M21, M22)																															
312	0159L00070 COMPRESSOR SCROLL HARNESS (M7, M8, M9, M10, M11, M12, M13, M14, M15, M16, M17, M18, M20, M23, M24, M25, M26, M27, M28, M29)																															
322	M0221641 TF SHOULDER SCREW (QTY 8)																															

Partition, Evaporator and Condenser Assy

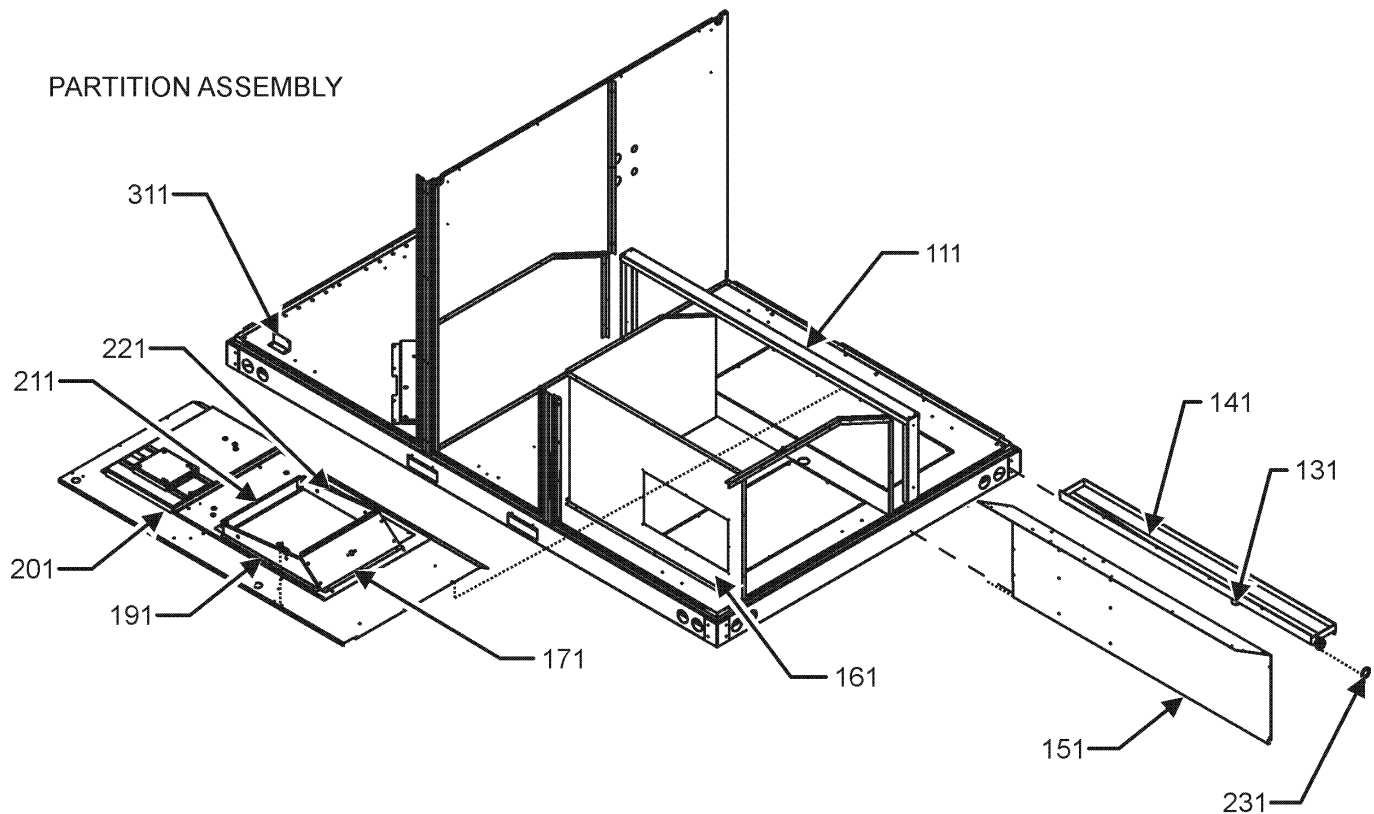
CONDENSER ASSEMBLY



EVAPORATOR ASSEMBLY



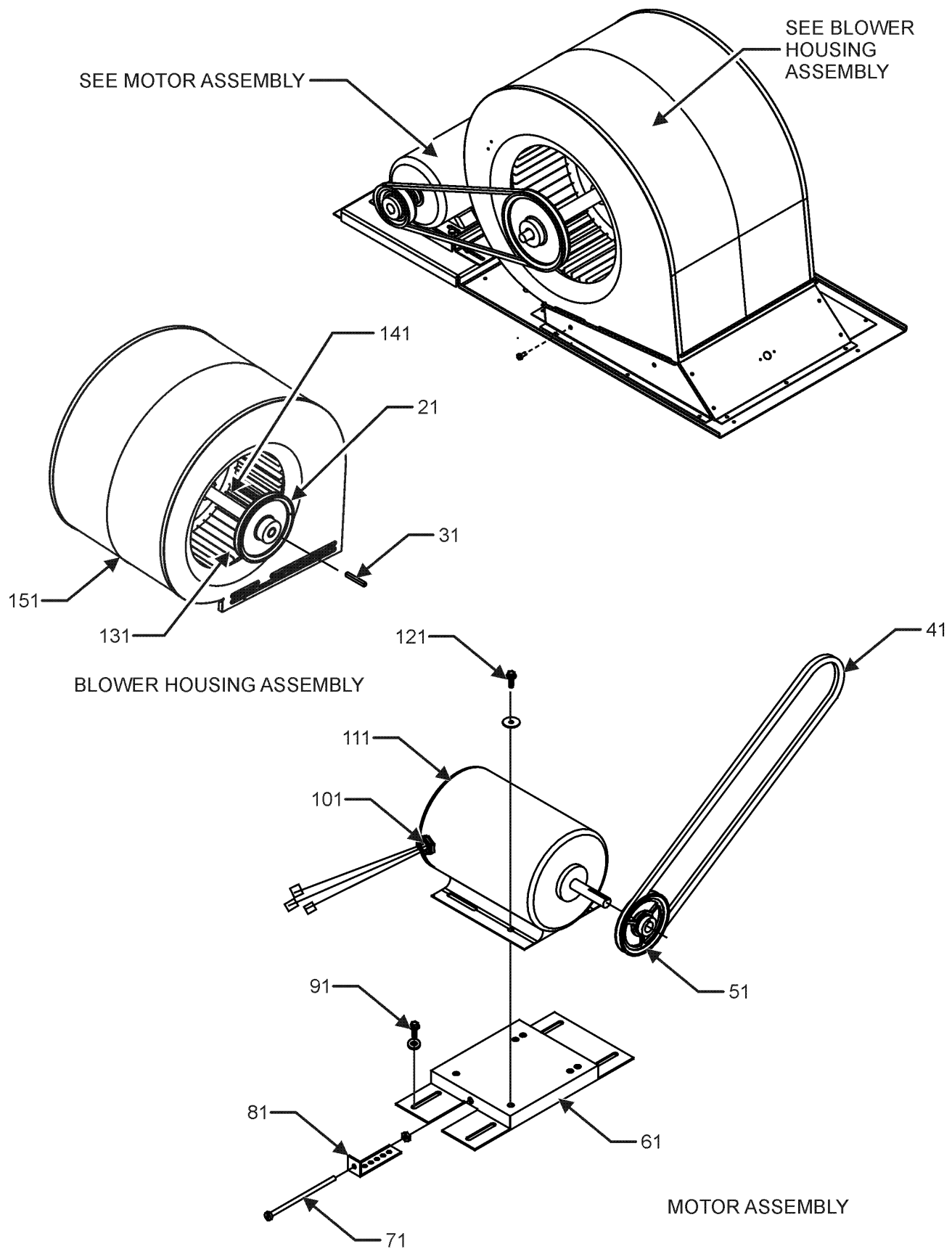
PARTITION ASSEMBLY



Partition, Evaporator and Condenser Assy

Ref. Part No: No:	Description:	Ref. Part No: No:	Description:
Image 1:		Expanded Model Nomenclature	
11	0201L00197	COND COIL ASSY, 5MM	M1 - DCC150XXX3BHDBAA
21	0202L00079	TUBING ASSY, EVAP COIL	M2 - DCC150XXX3BHXXAA
31	0121L00517	BLOCKOFF-EVAPORATOR, RET END	M3 - DCC150XXX3BJXAAA
41	0121L00845	EVAP EXTENSION-HAIRPIN SIDE	M4 - DCC150XXX3BXDXAA
51	0121L00402	FILTER ANGLE-BACK (QTY 2)	M5 - DCC150XXX3BXXXAA
51	0121L02099	FILTER ANGLE-VERTICAL (RETURN SIDE)	M6 - DCC150XXX3BXXXAB
61	0121L00399	FILTER ANGLE-HORIZONTAL (QTY 2)	M7 - DCC150XXX4BHXAAB
71	0121L02099	ANGLE-FILTER VERTICAL, HPIN	M8 - DCC150XXX4BHXXAB
71	0121L00402	FILTER ANGLE-BACK (QTY 2)	M9 - DCC150XXX4BVXZAB
81	0121L01258	ANGLE-FILTER CENTER	M10 - DCC150XXX4BXXBAB
111	0121L00372	DRAIN PAN SUPPORT	M11 - DCC150XXX4BXXEAB
131	0163L00071	PLUG, DRAIN	M12 - DCC150XXX4BXXXAA
141	0161L00002	DRAIN PAN	M13 - DCC150XXX4BXXXAB
151	0121L00374	DECK SIDE CHANNEL	M14 - DCC150XXX4BXXXAC
161	0121L00365	ELECTRIC HEAT PANEL	M15 - DCC150XXX7BBXXAB
171	0121L00168	BLOWER TRANSITION, RH END	M16 - DCC150XXX7BFXXAB
191	0121L00092	BLOWER TRANSITION, FRONT	M17 - DCC150XXX7BXXXAA
201	0121L02500	BLOWER DECK	M18 - DCC150XXX7BXXXAB
211	0121L00169	BLOWER TRANSITION, LH END	M19 - DCC1500163BHXXAA
221	0121L00094	BLOWER TRANSITION, BACK	M20 - DCC1500164BXXXAB
231	0154L00009	DRAIN PAN GASKET	M21 - DCC1500303BFXXAA
301	0201L00198	COND COIL ASSY, 5MM C2	M22 - DCC1500303BHXXAA
311	0121L00914	BRACE-CONDENSER (QTY 2)	M23 - DCC1500304BHXXAB
NS	0160L00137	Air Filter 20x25x2 (QTY 4)	M24 - DCC1500304BVDJAB
NS	0121L01398	DECK, SUPPORT BLOWER (M1, M4, M24, M25)	M25 - DCC1500304BVDZAB
NS	0121L01402	DECK, SUPPORT CONTROL (M1, M4, M24, M25)	M26 - DCC1500304BXXXAB
NS	0121L00321	SMOKE DETECTOR COVER (QTY 2)	M27 - DCC1500454BAXJAB
			M28 - DCC1500454BHXBAB
			M29 - DCC1500454BWXAAB

Belt Drive Blower Assembly



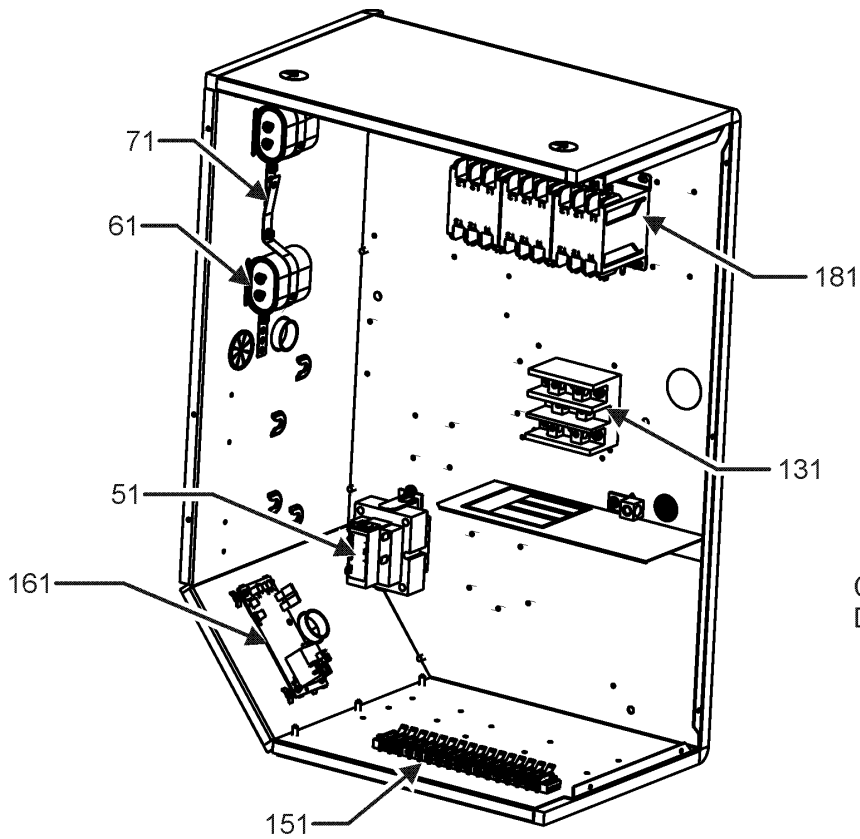
Belt Drive Blower Assembly

Ref. Part No:	Part No:	Description:	Ref. Part No:	Part No:	Description:
Image 1:					
21	0163L00135	SHEAVE, FIXED AK66H			
31	B1398604	STEEL KEY (000158812) 2.0"			
41	0164L00001	NOTCHED FAN BELT AX49			
51	0163L00012	VARIABLE PITCH SHEAVE VL40			
61	0121L01504	BASE-MOTOR			
71	0163M00045	BOLT 1/4-20 X 4"			
81	3225000F	BELT TIGHTENER ANGLE			
91	B1446707	SCREW 5/16-18 X 1" (QTY 4)			
101	B1393726	ELECT. CONNECTING BUSHING			
111	B3240004	BELT DRIVE MOTOR 2 HP (M1, M2, M3, M4, M5, M6, M7, M8, M9, M10, M11, M12, M13, M14, M19, M20, M21, M22, M23, M24, M25, M26, M27, M28, M29)			
111	0131L00006	BELT DRIVE MOTOR 3 HP 575 V (M15, M16, M17, M18)			
121	B1393738	BOLT 1/4-20 X 3/4" (QTY 3)			
131	03-78497	BLOWER WHEEL			
141	04-11526	BLOWER SHAFT			
151	04-01526	BLOWER HOUSING			
NS	04-02196	BLOWER BEARING & FRAME ASSY			
NS	0259L00008	MOTOR HARNESS-BELT DRIVE			

Expanded Model Nomenclature

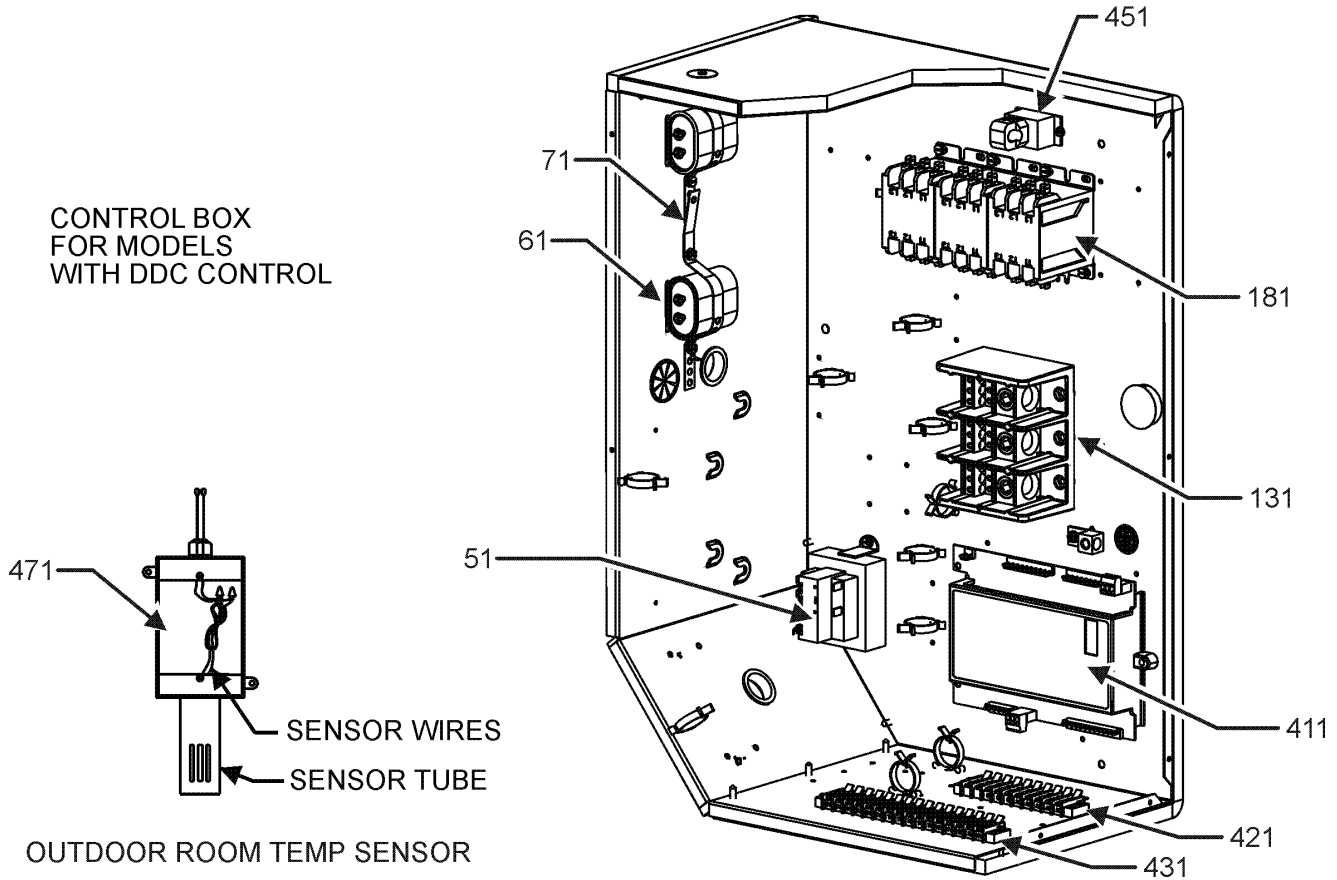
M1 - DCC150XXX3BHDBAA
M2 - DCC150XXX3BHXXAA
M3 - DCC150XXX3BJXAAA
M4 - DCC150XXX3BXDXAA
M5 - DCC150XXX3BXXXAA
M6 - DCC150XXX3BXXXAB
M7 - DCC150XXX4BHXAAB
M8 - DCC150XXX4BHXXAB
M9 - DCC150XXX4BVXZAB
M10 - DCC150XXX4BXXBAB
M11 - DCC150XXX4BXXEAB
M12 - DCC150XXX4BXXXAA
M13 - DCC150XXX4BXXXAB
M14 - DCC150XXX4BXXXAC
M15 - DCC150XXX7BBXXAB
M16 - DCC150XXX7BFXXAB
M17 - DCC150XXX7BXXXAA
M18 - DCC150XXX7BXXXAB
M19 - DCC1500163BHXXAA
M20 - DCC1500164BXXXAB
M21 - DCC1500303BFXXAA
M22 - DCC1500303BHFXAA
M23 - DCC1500304BHJAB
M24 - DCC1500304BVDJAB
M25 - DCC1500304BVDZAB
M26 - DCC1500304BXXXAB
M27 - DCC1500454BAXJAB
M28 - DCC1500454BHXBAB
M29 - DCC1500454BWXAAAB

Control Box Assembly



CONTROL BOX ASSEMBLY MAY DIFFER FROM WHAT IS SHOWN

CONTROL BOX FOR MODELS WITH DDC CONTROL



OUTDOOR ROOM TEMP SENSOR

Control Box Assembly

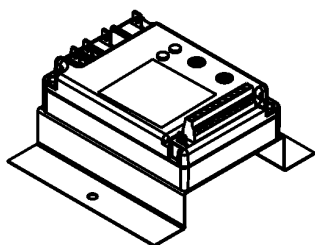
Ref. Part No: No:	Description:	Ref. Part No: No:	Description:
Image 1:		Expanded Model Nomenclature	
51	0130M00144 TRANSFORMER (M1, M2, M3, M4, M5, M6, M19, M21, M22)	M1 - DCC150XXX3BHDBAA	
51	0130M00145 TRANSFORMER 480V to 24V, 75VA (M7, M8, M9, M10, M11, M12, M13, M14, M20, M23, M24, M25, M26, M27, M28, M29)	M2 - DCC150XXX3BHXXAA	
51	0130M00148 TRANSFORMER 575V to 24V, 75VA (M15, M16, M17, M18)	M3 - DCC150XXX3BJXAAA	
61	CAP100000370LA CAPACITOR 10/370V (M1, M2, M3, M4, M5, M6, M7, M8, M9, M10, M11, M13, M14, M19, M20, M21, M22, M23, M24, M25, M26, M27, M28, M29)	M4 - DCC150XXX3BXDXAA	
61	CAP050000370LA CAPACITOR 5/370V (M12, M17)	M5 - DCC150XXX3BXXXAA	
61	CAP050000440LA CAPACITOR 5/440V (M15, M16, M18)	M6 - DCC150XXX3BXXXAB	
71	20520901 CAPACITOR STRAP (QTY 2)	M7 - DCC150XXX4BHXAAB	
131	0130M00042 BLOCK, POWER	M8 - DCC150XXX4BHXXAB	
151	0130M00038 TERMINAL BOARD (M1, M2, M3, M4, M5, M6, M7, M8, M9, M10, M11, M12, M13, M14, M17, M18, M19, M20, M22, M23, M24, M25, M26, M27, M28, M29)	M9 - DCC150XXX4BVXZAB	
161	PCBFM103 ELECTRONIC BLOWER TIME DELAY (M1, M2, M3, M4, M5, M6, M7, M8, M9, M10, M11, M12, M13, M14, M17, M18, M19, M20, M22, M23, M24, M25, M26, M27, M28, M29)	M10 - DCC150XXX4BXXBAB	
181	CONT3P030024V CONTACTOR 30 AMP, 3P, 24V (QTY 3)	M11 - DCC150XXX4BXXEAB	
411	PCBCG100 DDC Controller (M15, M16, M21)	M12 - DCC150XXX4BXXXAA	
421	0130M00274 TERMINAL BOARD (M15, M16, M21)	M13 - DCC150XXX4BXXXAB	
431	0130M00275 TERMINAL BOARD (M15, M16, M21)	M14 - DCC150XXX4BXXXAC	
451	0259L00368 CURRENT SWITCH WITH TERMS (M15, M16, M21)	M15 - DCC150XXX7BBXXAB	
471	0130L00108 OD Air Temp Sensor (M15, M16, M21)	M16 - DCC150XXX7BFXXAB	
NS	0259L00386 ANALOG OUTPUT, DDC (M15, M16, M21)	M17 - DCC150XXX7BXXXAA	
NS	0130L00112 Duct Temp Sensor (M15, M16, M21)	M18 - DCC150XXX7BXXXAB	
NS	0259L00401 HARN, BINARY INPUT, DDC (M15, M16, M21)	M19 - DCC1500163BHXXAA	
NS	0259L00382 HARN, CNTL PWR, DDC (M15, M16, M21)	M20 - DCC1500164BXXXAB	
NS	0259L00385 HARN, CNTL, HEAT PLUG INTERCON (M15, M16, M21)	M21 - DCC1500303BFXXAA	
NS	0259L00399 HARN, PWR XFMR CNTL (M15, M16, M21)	M22 - DCC1500303BHFXAA	
NS	0259L00408 HARN, RELAY OUTPUT, DDC (M15, M16, M21)	M23 - DCC1500304BHJAB	
NS	0259L00496 HARNESS, NON POW, CONV, OUT (M3, M7, M22, M23, M24, M27, M29)	M24 - DCC1500304BVDJAB	
NS	0259L00092 HARNESS-SMOKE DETECTOR SENSOR (M9, M11, M23, M24, M25, M27)	M25 - DCC1500304BVDZAB	
NS	0259L00032 LCM HARNESS, ELECTRIC HEAT	M26 - DCC1500304BXXXAB	
NS	0130L00107 ROOM SENSOR (M15, M16, M21)	M27 - DCC1500454BAXJAB	
NS	0259L00502 WIRE HARNESS	M28 - DCC1500454BHXBAB	
NS	0259L00503 WIRE HARNESS (M15, M16, M21)	M29 - DCC1500454BWXAAB	
NS	0259L00148 WIRE HARNESS ASSY		
NS	0259L00158 WIRE HARNESS ASSY		
NS	0259L00167 WIRE HARNESS, ECONOMIZER		
NS	0259L00090 WIRE HARNESS-SMOKE DETECTOR (M9, M11, M23, M24, M25, M27)		

Accessory Parts List

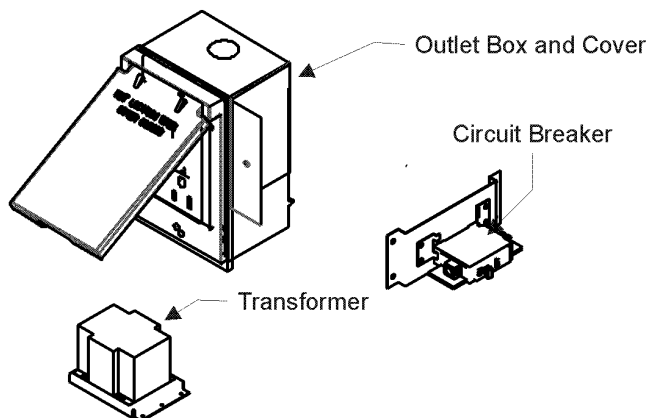
ACCESSORY PARTS LIST

NOTE: NOT ALL OPTIONS AVAILABLE FOR ALL PRODUCTS

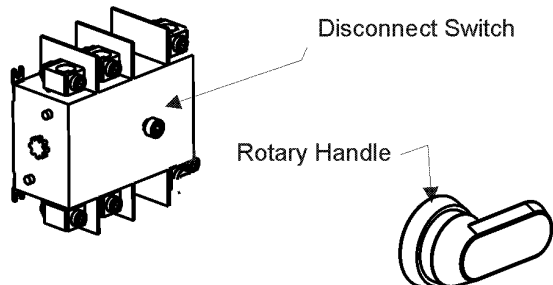
1 LOW AMBIENT KITS



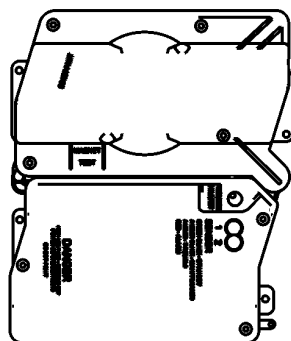
2 GFCI CONVENIENCE OUTLET



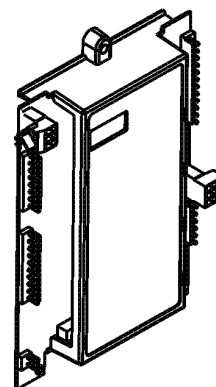
3 DISCONNECT MODULE (NON-FUSED)



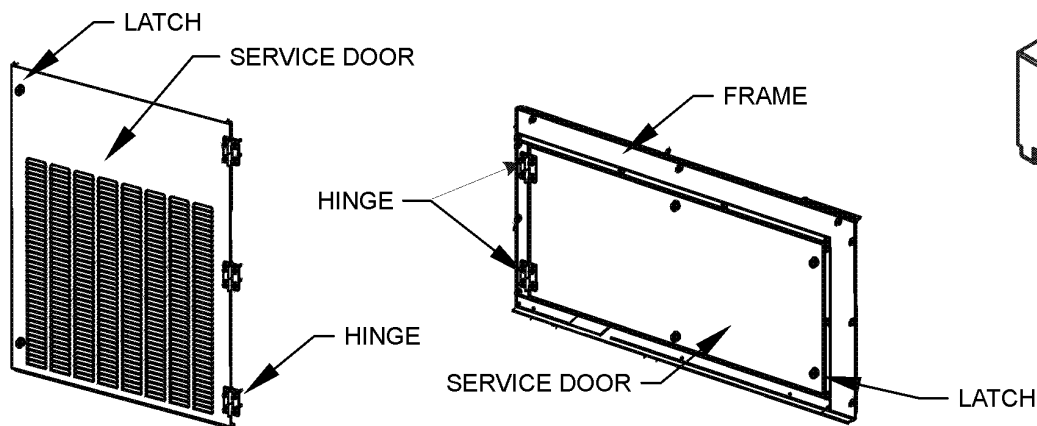
4 SMOKE DETECTORS



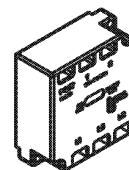
5 DDC CONTROL



6 HINGED DOOR ASSEMBLIES



7 PHASE MONITOR



Accessory Parts List

Ref. Part No: No:	Description:	Ref. Part No: No:	Description:
Image 1:		Image 1:	
NS EHK3-16	15 KW 208-230/3 ELECTRIC HEAT (M19)	NS 0130M00061	TRANSFORMER, CONVENIENCE OUTLET (M1, M10, M28)
NS EHK4-16	15 KW 460/3 ELECTRIC HEAT (M20)	Expanded Model Nomenclature	
NS DDNECNJ90150B	7.5-12.5 TON DFLOW ECON (M9, M24, M25, M29)	M1 - DCC150XXX3BHDBAA	
NS 1036610B	7.5-12.5 TON DFLOW ECONOMIZER (M3, M27)	M2 - DCC150XXX3BHXXAA	
NS 10366D10B	7.5-12.5T DFLOW ECON, DDC (M16, M21)	M3 - DCC150XXX3BJXAAA	
NS 0121L00316	BRACKET-CONV OUTLET MOUNT (M1, M3, M7, M10, M22, M23, M24, M27, M28, M29)	M4 - DCC150XXX3BXDXAA	
NS 0121L00768	BRACKET-SMOKE DETECTOR (M9, M11, M23, M24, M25, M27)	M5 - DCC150XXX3BXXXAA	
NS 0130M00065	CIRCUIT BREAKER, CONVENIENCE OUTLET (M1, M10, M28)	M6 - DCC150XXX3BXXXAB	
NS 0121L00973NG	DISCONNECT SWITCH COVER (M1, M2, M3, M7, M8, M19, M22, M23, M28, M29)	M7 - DCC150XXX4BHXAAB	
NS 0121L01414NG	DOOR FRAME, BLOWER (M1, M4, M24, M25)	M8 - DCC150XXX4BHXXAB	
NS 0121L01417NG	DOOR FRAME, CONTROL (M1, M4, M24, M25)	M9 - DCC150XXX4BVXZAB	
NS 0121L02483NG	DOOR, SERVICE, BACK, BLOWER (M1, M4, M24, M25)	M10 - DCC150XXX4BXXBAB	
NS 0121L02482NG	DOOR, SERVICE, FRONT, BLOWER (M1, M4, M24, M25)	M11 - DCC150XXX4BXXEAB	
NS EHK3-30	ELECTRIC HEATER KIT (M21, M22)	M12 - DCC150XXX4BXXXAA	
NS EHK4-30	ELECTRIC HEATER KIT (M23, M24, M25, M26)	M13 - DCC150XXX4BXXXAB	
NS EHK4-45	ELECTRIC HEATER KIT (M27, M28, M29)	M14 - DCC150XXX4BXXXAC	
NS 0130L00012	GANG BOX-GFCI OUTLET (M1, M3, M7, M10, M22, M23, M24, M27, M28, M29)	M15 - DCC150XXX7BBXXAB	
NS 0130L00039	HANDLE, ROTARY (M1, M2, M3, M7, M8, M19, M22, M23, M28, M29)	M16 - DCC150XXX7BFXXAB	
NS 0163M00307	HINGE, LEFT HAND (M1, M4, M24, M25)	M17 - DCC150XXX7BXXXAA	
NS 0163M00308	HINGE, RIGHT HAND (M1, M4, M24, M25)	M18 - DCC150XXX7BXXXAB	
NS 0163M00322	LATCH (M1, M4, M24, M25)	M19 - DCC1500163BHXXAA	
NS LAKT03	LOW AMBIENT KIT (M22)	M20 - DCC1500164BXXXAB	
NS 0121L02221NG	PNT, DOOR FRAME, FILTER (M1, M4, M24, M25)	M21 - DCC1500303BFXXAA	
NS 0121L02222NG	PNT, SERVICE DOOR BACK FILTER (M1, M4, M24, M25)	M22 - DCC1500303BHXFAA	
NS 0121L02219NG	PNT, SERVICE DOOR FRONT FILTER (M1, M4, M24, M25)	M23 - DCC1500304BHXJAB	
NS 0161G00012	POWER OUTLET BOX (M1, M3, M7, M10, M22, M23, M24, M27, M28, M29)	M24 - DCC1500304BVDJAB	
NS 0130L00103	RECEPTACLE-GFCI OUTLET (M1, M3, M7, M10, M22, M23, M24, M27, M28, M29)	M25 - DCC1500304BVDZAB	
NS 0121L01416NG	SERVICE DOOR BACK, CONTROL (M1, M4, M24, M25)	M26 - DCC1500304BXXXAB	
NS 0121L01415NG	SERVICE DOOR FRONT, CONTROL (M1, M4, M24, M25)	M27 - DCC1500454BAXJAB	
NS 0130L00043	SHAFT, CUT (M1, M2, M3, M22)	M28 - DCC1500454BHXBAB	
NS 0130L00056	SHAFT, CUT (M7, M8, M19, M28, M29)	M29 - DCC1500454BWXAAB	
NS 0130L00057	SHAFT, CUT (M23)		
NS 0130L00049	SHAFT, DISCONNECT (M1, M2, M3, M7, M8, M19, M22, M23, M28, M29)		
NS D4120	SMOKE DETECTOR, PHOTO 4WIRE (M9, M11, M23, M24, M25, M27)		
NS D4S	SMOKE DETECTOR, SENSOR ONLY (M9, M23, M24, M25, M27)		
NS 0130L00027	SWITCH-DISCONNECT 100A (M7, M8, M19, M28, M29)		
NS 0130L00033	SWITCH-DISCONNECT 200A (M1, M2, M3, M22)		
NS 0130L00046	SWITCH-DISCONNECT 60A (M23)		