

Commercial 10 Ton High Static Package Cooling Unit

DCC1200164WWDJAC
DCC1200307WRMXAB
DCC120XXX4WMMLAC
DCC120XXX4WVBXAC
DCC120XXX4WXXXAC



This manual is to be used by qualified technicians only.

This manual replaces RP-D1223A.

© 2019 **DAIKIN COMPANY, L.P.** ♦ 19001 Kermier Rd. ♦ Waller, TX 77484

Important Information

Index

Functional Parts List	3
Illustration and Parts	4 - 15

Views shown are for parts illustrations only, not servicing procedures

Text Codes:

AR - As Required

NA - Not Available

NS - Not Shown

00000000 - See Note

QTY - Quantity Example (QTY 3) (If Quantity not shown, Quantity = 1)

M - Model Example (M1) (If M Code not shown, then part is used on all Models)

Expanded Model Nomenclature:

Example M1 - Model#1 M2 - Model#2 M3 - Model#3

Daikin Company, L.P. is not responsible for personal injury or property damage resulting from improper service. Review all service information before beginning repairs.

Warranty service must be performed by an authorized technician, using authorized factory parts. If service is required after the warranty expires, Daikin Company, L.P. also recommends contacting an authorized technician and using authorized factory parts.

Daikin Company, L.P. reserves the right to discontinue, or change at any time, specifications or designs without notice or without incurring obligations.

For assistance within the U.S.A. contact:

Equipment Support
Daikin North America, LLC
19001 Kermier Road
Waller, Texas 77484
855-770-5678-Telephone
713-863-2382-Facsimile

For assistance outside the U.S.A. contact:

International Division
Daikin North America, LLC
19001 Kermier Road
Waller, Texas 77484
713-861-2500-Telephone
713-863-2382-Facsimile

Functional Parts

Part

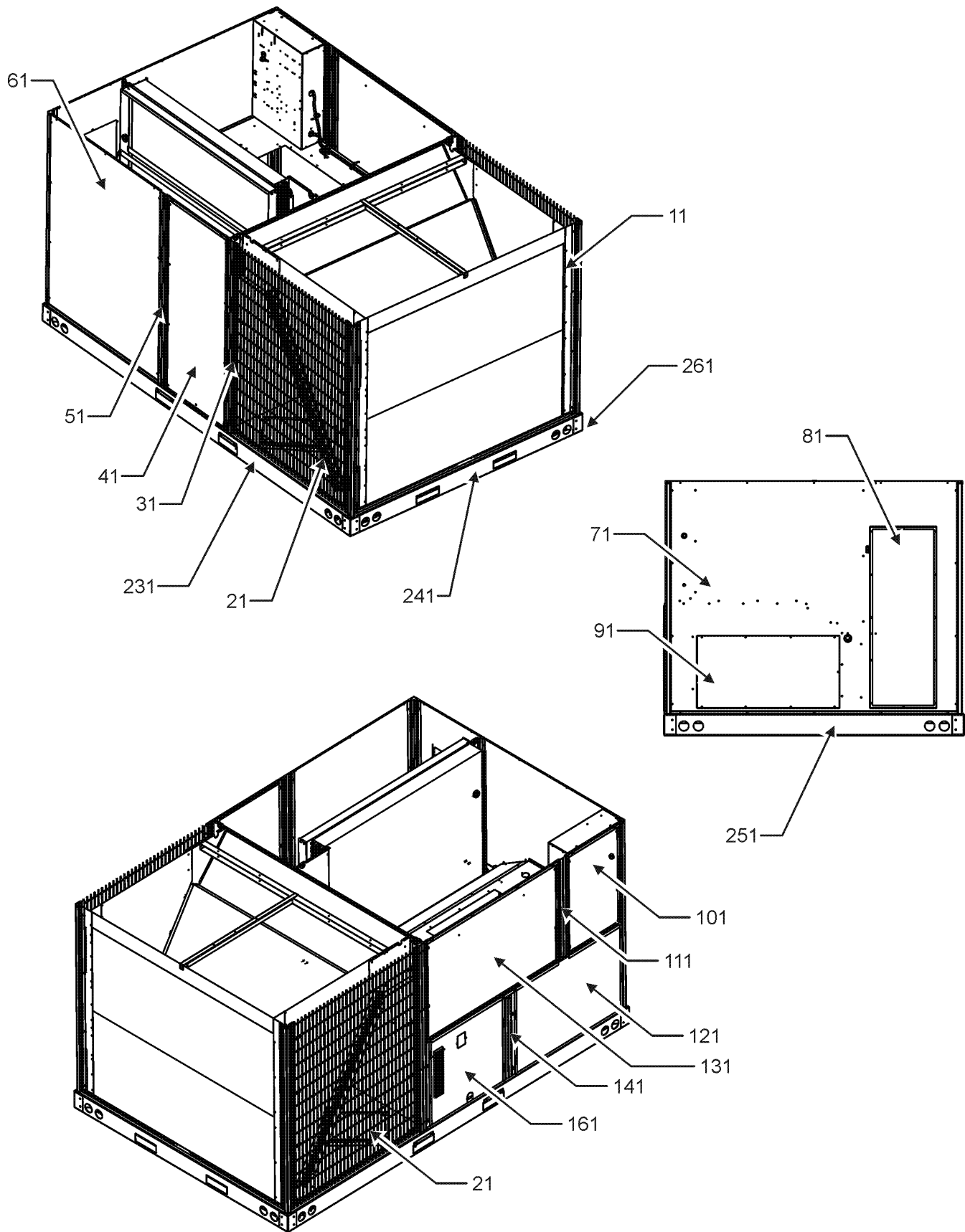
No: **Description:**

03-78497	BLOWER WHEEL
CAP100000370LA	CAP, 10 MFD/370V/OVAL (M1, M2, M3, M4)
CAP050000440LA	CAPACITOR (M5)
ZP51K5ETFE130	COMP, 5100, 575/60/3 (M5)
ZP51K5ETFD130	COMP,51000,460/60/3 (M1, M2, M3, M4)
CONT3P025024V	CONTACTOR 25 AMP, 3P, 24V (QTY 4)
0130L00112	Duct Temp Sensor (M1, M5)
0164L00010	FAN BELT, NOTCHED (M5)
0164L00002	FAN BELT, NOTCHED (M1, M2, M3, M4)
10625733	FAN BLADE 22" ALUM CCW (QTY 2)
0131M00774	MOTOR, 1/3 HP, OD (M1, M2, M3, M4)
0131M00858	MOTOR, 1/3 HP, OD (M5)
0131L00075	Motor, 3ph, 5hp (M5)
0131L00074	Motor, 3ph, 5hp (M1, M2, M3, M4)
0130L00108	OD Air Temp Sensor (M1, M5)
PCBCG103	PCB, CONTROL, HP, GAS, AC (M1, M5)
PCBFM103	PCB, TIME DELAY, EBTDR
0130L00105	PHASE MONITOR (M1, M2, M5)
10135604	RELAY (QTY 2)
0130M00242	RELAY, 24V (QTY 2)
0130M00038	TERMINAL STRIP
0130M00595	TRANSFORMER, 75VA, 480V TO 24V (M1, M2, M3, M4)
0130M00598	TRANSFORMER, 75VA, 575V TO 24V (M5)

Expanded Model Nomenclature

M1 - DCC120XXX4WMMLAC
M2 - DCC120XXX4WVBXAC
M3 - DCC120XXX4WXXXAC
M4 - DCC1200164WWDJAC
M5 - DCC1200307WRMXAB

Cabinet Assembly



Cabinet Assembly

Ref. Part No:	Part No:	Description:	Ref. Part No:	Part No:	Description:
---------------	----------	--------------	---------------	----------	--------------

Image 1:

11	0121L00065RFNG	CORNER POST (QTY 3)
11	0121L01407RFNG	CORNER POST (M1, M4, M5)
21	0121L00511NG	LOUVERED SIDE PANEL (QTY 2)
31	0121L00738RFNG	PNT, Roll Form Side Post (M2, M3)
31	0121L01400RFNG	SIDE POST (M1, M4, M5)
41	0121L00737NG	FILTER DOOR
51	0121L01432RFNG	FILTER DOOR POST (M1, M4, M5)
51	0121L00739RFNG	Pnt, Rform, Filter Door Post (M2, M3)
61	0121L00510NG	ECONOMIZER DOOR (M1, M3, M5)
71	0121L01364NG	DUCT PANEL (M2, M3)
71	0121L01365NG	DUCT PANEL (M1, M4, M5)
81	0121L00082NG	RETURN DUCT COVER
91	0121L00099NG	SUPPLY DUCT COVER
101	0121L00974NG	CONTROL DOOR
111	0121L02517RFNG	RF, PAINTED CNTL POST HINGED (M1, M4, M5)
111	0121L02303RFNG	RF, PAINTED CONTROL POST (M2, M3)
121	0121L00767NG	ELECTRIC HEAT DOOR
131	0121L00763NG	BLOWER DOOR
141	0121L00765RFNG	BURNER BOX POST
161	0121L00828NG	BURNER AREA DOOR
231	0121L01099RF	RAIL, BASE SIDES RF (QTY 2)
241	0121L00834RF	RAIL-BASE COND END
251	0121L00071RF	RAIL, BASE DUCT END
261	0121G00301	RAIL CORNER BRACKET (QTY 4)
NS	0121L00055	BRACKET-FORK BOARD (QTY 4)
NS	0121L00727	ECONOMIZER COVER (M2, M4)
NS	0141L00006X	FORK BOARD (QTY 2)
NS	0164L00009	GASKET-RUBBER, CPOST (QTY 3)
NS	0164L00011	GASKET-RUBBER, SIDE POST (QTY 5)

Expanded Model Nomenclature

M1 - DCC120XXX4WMMMLAC
M2 - DCC120XXX4WVBXAC
M3 - DCC120XXX4WXXXAC
M4 - DCC1200164WWDJAC
M5 - DCC1200307WRMXAB

Top Panel / Tubing Assembly

IMAGE 1

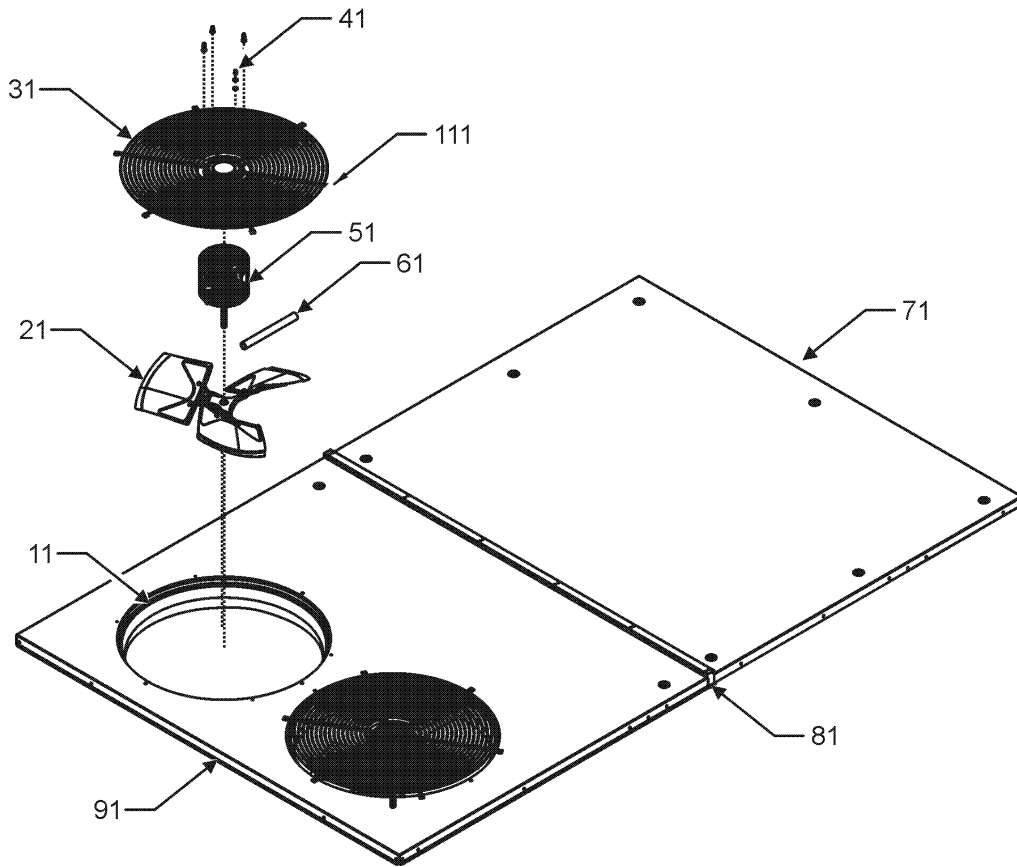
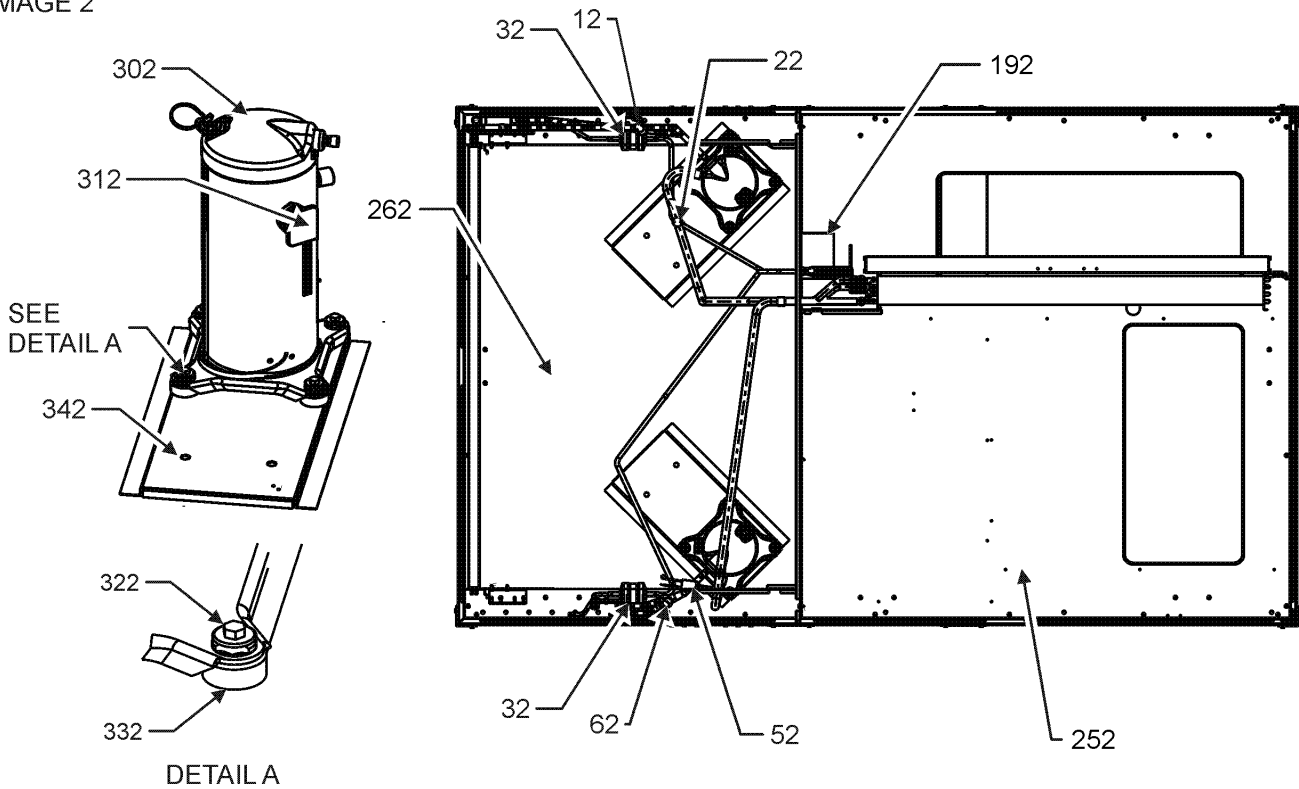


IMAGE 2



Top Panel / Tubing Assembly

Ref. Part No: No:	Description:	Ref. Part No: No:	Description:
-------------------	--------------	-------------------	--------------

Image 1:

11	0161L00000	VENTURI RING 22" (QTY 2)
21	10625733	FAN BLADE 22" ALUM CCW (QTY 2)
31	0152G00000	FAN GRILLE, RAISED (QTY 2)
41	0163M00006P	ACORN NUT 5/16 HEX BLACK (QTY 8)
51	0131M00774	MOTOR, 1/3 HP, OD (M1, M2, M3, M4)
51	0131M00858	MOTOR, 1/3 HP, OD (M5)
61	0161R00003P	CONDUIT (QTY 2)
71	0121L01119NG	PAINTED TOP PANEL INDOOR
81	20455902	SPLICE GASKET .50 X .25 (QTY 8)
91	0121L01118NG	PAINTED TOP PANEL OUTDOOR
111	0163M00004	SCREW #10X3/4", BLACK (QTY 22)
NS	0259L00511	HARNESS COND MOTOR
NS	0259L00512	HARNESS COND MOTOR
NS	0163M00005P	WASHER, BLACK (.50 OD .218ID) (QTY 8)

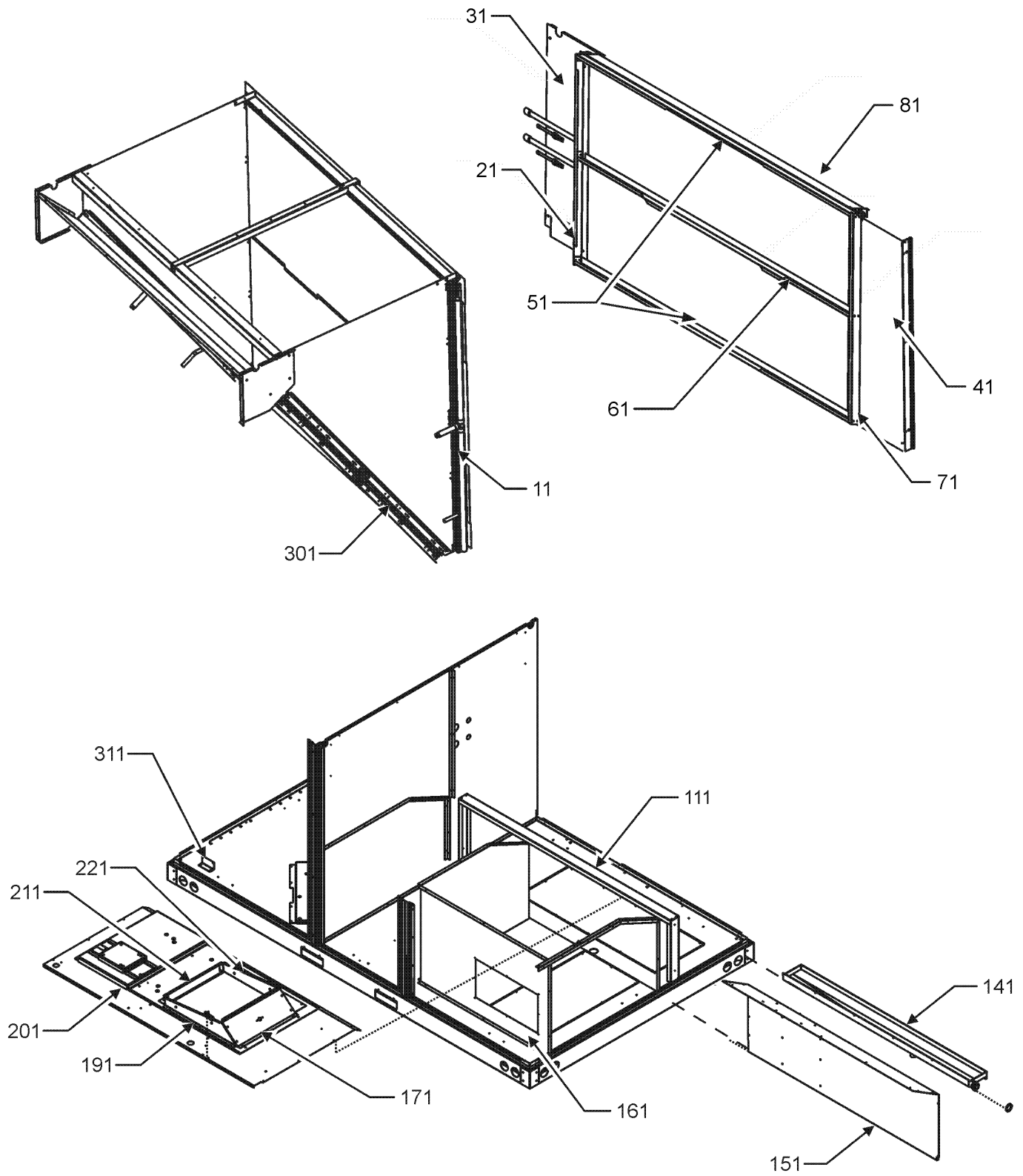
Image 2:

12	0130M00031	CUT-OUT SWITCH, HIGH PRESSURE
22	0130L00003	CUT-OUT SWITCH, LOW PRESSURE
32	B1219204	BI-FLOW FILTER DRIER
52	0130L00002	CUT-OUT SWITCH, LOW PRESSURE
62	0130M00030	CUT-OUT SWITCH, HIGH PRESSURE
192	0121L00359	SHIELD-EVAPORATOR DRIP
252	0121L00944	BASE PAN - INDOOR
262	0121L02129	BASE PAN - OUTDOOR
302	ZP51K5ETFE130	COMP, 5100, 575/60/3 (M5)
302	ZP51K5ETFD130	COMP, 51000, 460/60/3 (M1, M2, M3, M4)
312	0159L00066	COMPRESSOR SCROLL HARNESS
312	0159L00067	COMPRESSOR SCROLL HARNESS
322	M0221641	TF SHOULDER SCREW (QTY 8)
332	B1339533	COMPRESSOR GROMMET (QTY 8)
342	0121L02128	COMPRESSOR MOUNTING PLATE (QTY 2)
NS	B1373315	ACCESS FITTING (QTY 4)
NS	0141L00006X	BOARD FORK (QTY 2)
NS	0121L00055	BRACKET-FORK BOARD (QTY 4)
NS	0163M00175	CAP WITH O-RING (QTY 4)

Expanded Model Nomenclature

M1 - DCC120XXX4WMMLAC
M2 - DCC120XXX4WVBXAC
M3 - DCC120XXX4WXXXAC
M4 - DCC1200164WWDJAC
M5 - DCC1200307WRMXAB

Partition / Evaporator / Condenser Assy



Partition / Evaporator / Condenser Assy

Ref. Part No: No:	Description:	Ref. Part No: No:	Description:
-------------------	--------------	-------------------	--------------

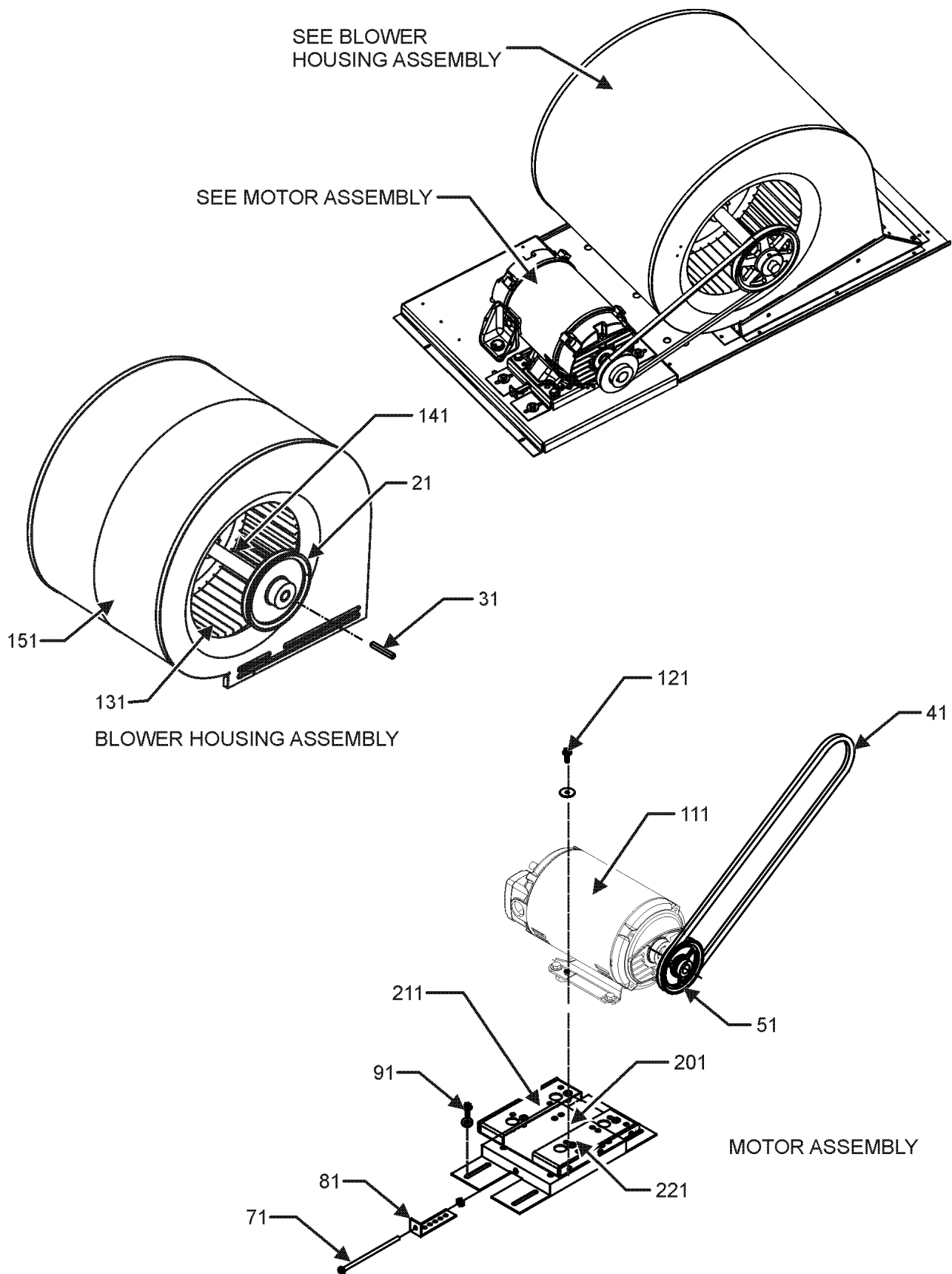
Image 1:

11	0201L00679	COND COIL ASSY, 5MMC1
21	0121L00650	FILTER ANGLE-VERTICAL (RETURN SIDE)
31	0121L00210	EVAP EXTENSION-RETURN SIDE
41	0121L00843	EVAP EXTENSION-HAIRPIN SIDE
51	0121L00649	FILTER ANGLE-HORIZONTAL (QTY 2)
61	0121L01257	ANGLE, FILTER VERTICAL
71	0121L00358	FILTER ANGLE-VERTICAL (HAIRPIN SIDE)
81	0202L00085	TUBING ASSY, EVAP COIL
111	0121L02984	SUPPORT, PAN, DRAIN
141	0161L00002	DRAIN PAN
151	0121L00374	DECK SIDE CHANNEL
161	0121L00365	ELECTRIC HEAT PANEL
171	0121L00168	BLOWER TRANSITION, RH END
191	0121L00092	BLOWER TRANSITION, FRONT
201	0121L03117	DECK, BLOWER
211	0121L00169	BLOWER TRANSITION, LH END
221	0121L00094	BLOWER TRANSITION, BACK
301	0201L00680	COND COIL ASSY, 5MMC2
311	0121L00914	BRACE-CONDENSER (QTY 2)
NS	0160L00175	AIR FILTER 16 X 24 X 2 (QTY 4)
NS	0121L01398	DECK, SUPPORT BLOWER (M1, M4, M5)
NS	0121L01402	DECK, SUPPORT CONTROL (M1, M4, M5)
NS	0154L00009	GASKET-DRAIN PAN
NS	0163L00071	PLUG, DRAIN
NS	0121L00321	SMOKE DETECTOR COVER

Expanded Model Nomenclature

- | |
|-----------------------|
| M1 - DCC120XXX4WMMLAC |
| M2 - DCC120XXX4WVBXAC |
| M3 - DCC120XXX4WXXXAC |
| M4 - DCC1200164WWDJAC |
| M5 - DCC1200307WRMXAB |

Blower Assembly



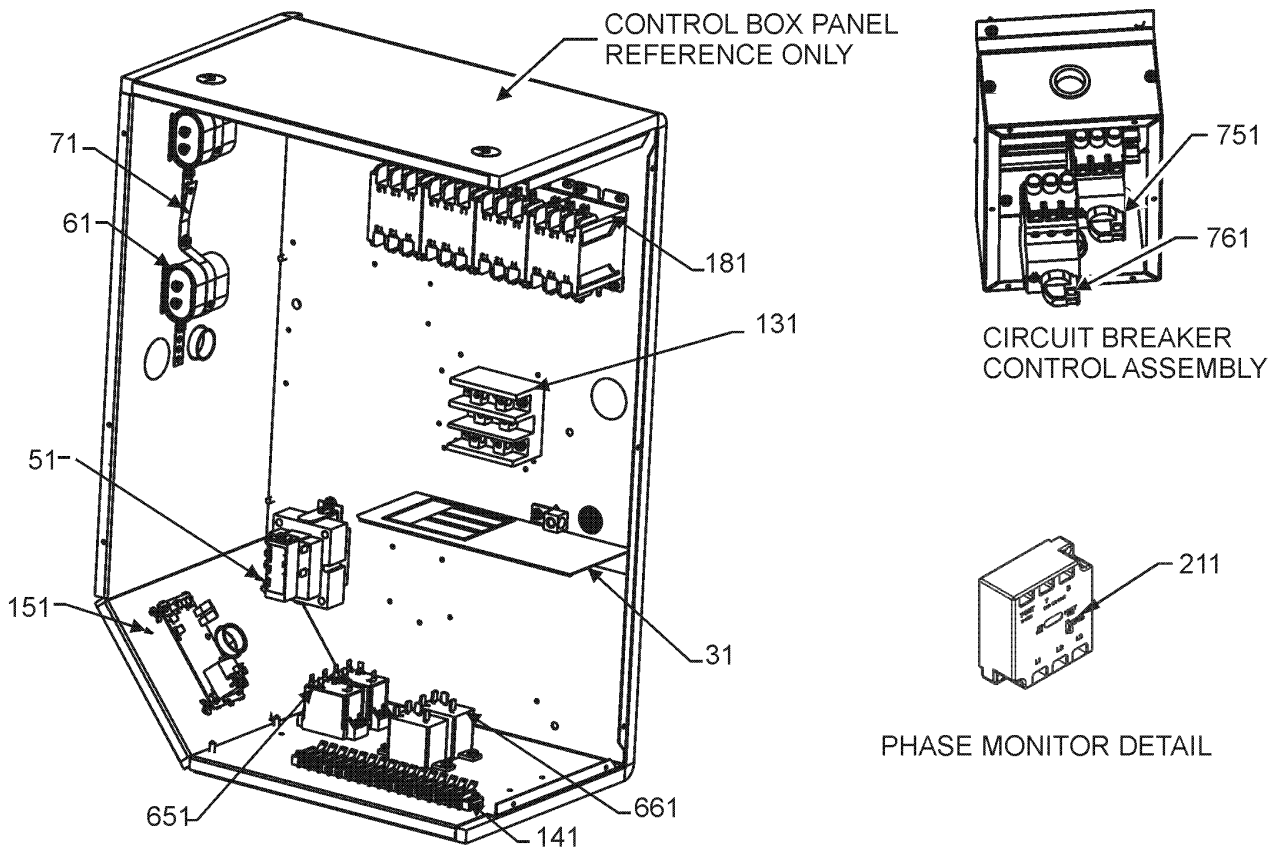
Blower Assembly

Ref. Part No:	Ref. Part No:	Description:	Description:
Image 1:			
21	0163L00194	SHEAVE, FIXED AK84H	
31	0163M00407	MACHINE KEY, SPECIAL	
41	0164L00002	FAN BELT, NOTCHED (M1, M2, M3, M4)	
41	0164L00010	FAN BELT, NOTCHED (M5)	
51	0163L00052	SHEAVE VARIABLE PITCH	
61	0121L03460	BASE, MOTOR	
71	0163M00045	BOLT 1/4-20 X 4"	
81	3225000F	BELT TIGHTENER ANGLE	
91	B1393738	BOLT, 1/4-20 X 3/4 (QTY 8)	
111	0131L00074	Motor, 3ph, 5hp (M1, M2, M3, M4)	
111	0131L00075	Motor, 3ph, 5hp (M5)	
121	B1446707	SCREW, 5/1618 X 1" (QTY 4)	
131	03-78497	BLOWER WHEEL	
141	04-11526	BLOWER SHAFT	
151	04-01526	BLOWER HOUSING	
161	0163M00045	BOLT, 1/4-20 X3/4	
201	0121L02331	PLATE-MOTOR MOUNTING	
211	0121L02330	ANGLE-MOTOR MOUNT, FRONT	
221	0121L01461	ANGLE-MOTOR MOUNT, BACK	
NS	04-02196	BEARING & FRAME ASSY	
NS	0259L00160	HARNES-BELT DRIVE 2 SP MOTOR	
NS	B1392918	WASHER, FLAT 1/4 ID X 1OD (QTY 4)	

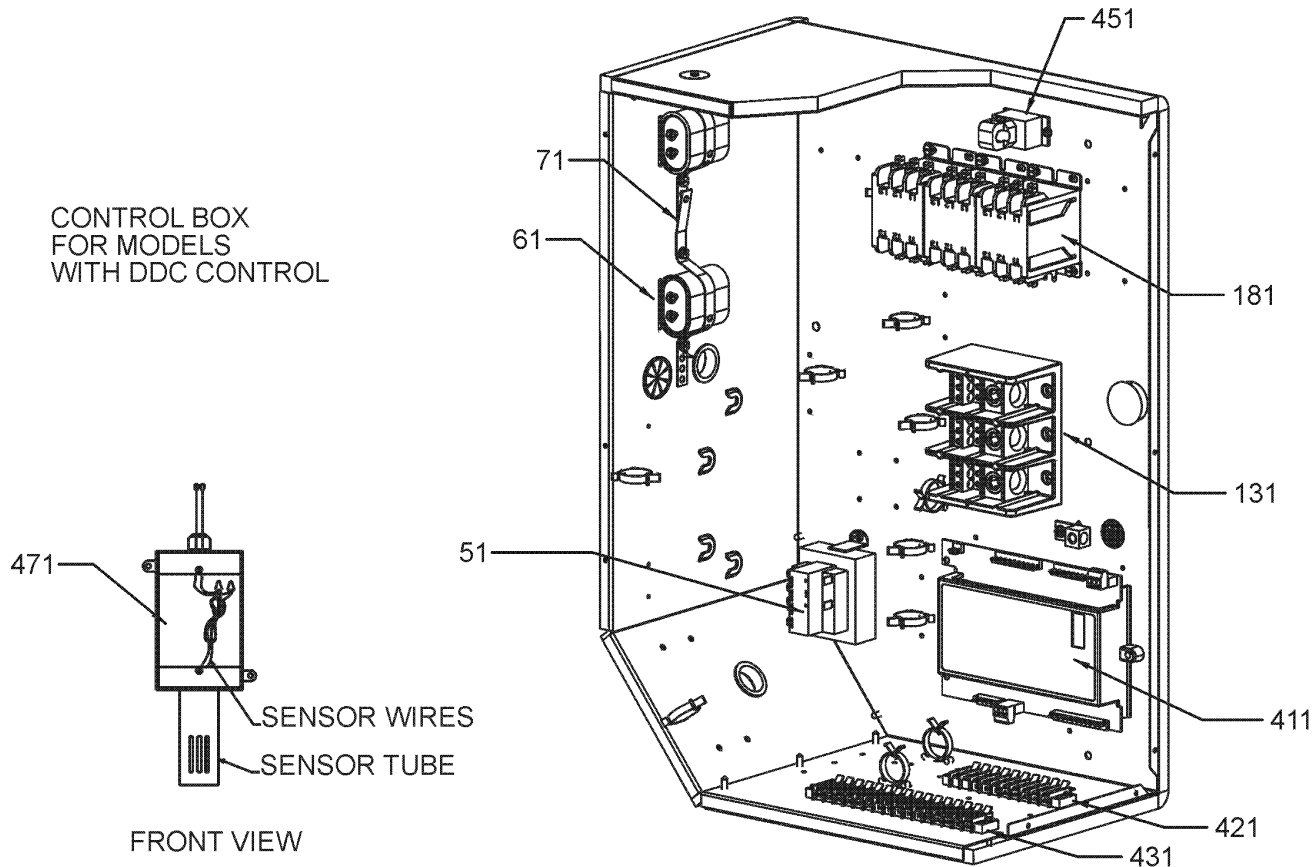
Expanded Model Nomenclature

- | |
|-----------------------|
| M1 - DCC120XXX4WMMLAC |
| M2 - DCC120XXX4WVBXAC |
| M3 - DCC120XXX4WXXXAC |
| M4 - DCC1200164WWDJAC |
| M5 - DCC1200307WRMXAB |

Control Box Assembly



CONTROL BOX FOR MODELS WITH DDC CONTROL



Control Box Assembly

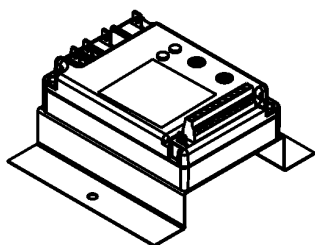
Ref. Part No:	Ref. Part No:	Description:	Description:
Image 1:		Expanded Model Nomenclature	
31	0121G00491	VOLTAGE BARRIER	M1 - DCC120XXX4WMMMLAC
51	0130M00595	TRANSFORMER, 75VA, 480V TO 24V (M1, M2, M3, M4)	M2 - DCC120XXX4WVVBXAC
51	0130M00598	TRANSFORMER, 75VA, 575V TO 24V (M5)	M3 - DCC120XXX4WXXXAC
61	CAP100000370LA	CAP, 10 MFD/370V/OVAL (M1, M2, M3, M4)	M4 - DCC1200164WWDJAC
61	CAP050000440LA	CAPACITOR (M5)	M5 - DCC1200307WRMXAB
71	20520901	CAPACITOR STRAP (QTY 8)	
131	0130M00042	POWER BLOCK	
141	0130M00038	TERMINAL STRIP	
151	PCBFM103	PCB, TIME DELAY, EBTD	
181	CONT3P025024V	CONTACTOR 25 AMP, 3P, 24V (QTY 4)	
211	0130L00105	PHASE MONITOR (M1, M2, M5)	
411	PCBCG103	PCB, CONTROL, HP, GAS, AC (M1, M5)	
421	0130M00274	TERMINAL BOARD (M1, M5)	
431	0130M00275	TERMINAL BOARD (M1, M5)	
451	0259L00368	CURRENT SWITCH WITH TERMS (M1, M5)	
471	0130L00108	OD Air Temp Sensor (M1, M5)	
651	10135604	RELAY (QTY 2)	
661	0130M00242	RELAY, 24V (QTY 2)	
751	0130L00070	ROTARY MANUAL MOTOR PROTECTOR	
761	0130L00070	ROTARY MANUAL MOTOR PROTECTOR (M5)	
761	0130L00082	ROTARY MANUAL MOTOR PROTECTOR (M1, M2, M3, M4)	
NS	0259L00153	2 SPEED CONTROL HARNESS	
NS	0259L00155	2 Speed Relay Harness	
NS	0259L00386	ANALOG OUTPUT, DDC (M1, M5)	
NS	0259L00161	CIRCUIT BREAKER HARNESS	
NS	0130L00112	Duct Temp Sensor (M1, M5)	
NS	0259L00401	HARN, BINARY INPUT, DDC (M1, M5)	
NS	0259L00401	HARN, BINARY INPUT, DDC (M1, M5)	
NS	0259L00382	HARN, CNTL PWR, DDC (M1, M5)	
NS	0259L00382	HARN, CNTL PWR, DDC (M1, M5)	
NS	0259L00385	HARN, CNTL, HEAT PLUG INTERCON (M1, M5)	
NS	0259L00399	HARN, PWR XFMR CNTL (M1, M5)	
NS	0259L00399	HARN, PWR XFMR CNTL (M1, M5)	
NS	0259L00032	HARNESS, ELECT HT LCM	
NS	0259L00496	HARNESS, NON POW, CONV, OUT (M1, M4)	
NS	0259L00160	HARNESS-BELT DRIVE 2 SP MOTOR	
NS	0259L00181	HARNESS-BELT DRIVE 2 SP MOTOR	
NS	0259L00092	HARNESS-SMOKE DETECTOR SENSOR (M1, M4)	
NS	0259L00032	LCM HARNESS, ELECTRIC HEAT	
NS	0259L00415	WIRE ASSY (M1, M5)	
NS	0259L00426	WIRE ASSY (M1, M5)	
NS	0259L00502	WIRE HARNESS	
NS	0259L00148	WIRE HARNESS ASSY	
NS	0259L00149	WIRE HARNESS ASSY	
NS	0259L00152	WIRE HARNESS ASSY	
NS	0259L00158	WIRE HARNESS ASSY	
NS	0259L00165	WIRE HARNESS, ECONOMIZER	
NS	0259L00090	WIRE HARNESS-SMOKE DETECTOR (M4)	

Accessory Parts List

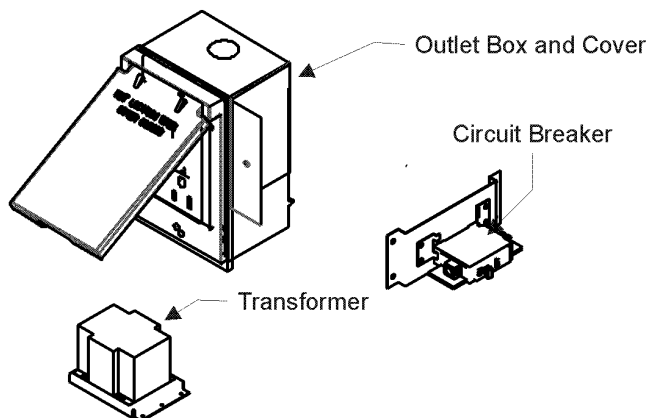
ACCESSORY PARTS LIST

NOTE: NOT ALL OPTIONS AVAILABLE FOR ALL PRODUCTS

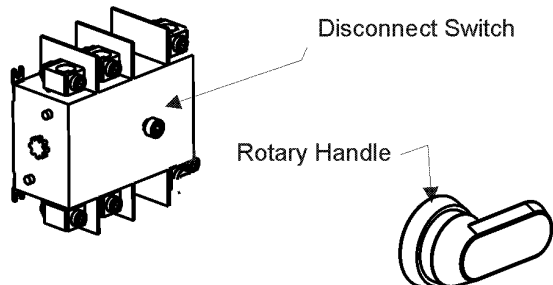
1 LOW AMBIENT KITS



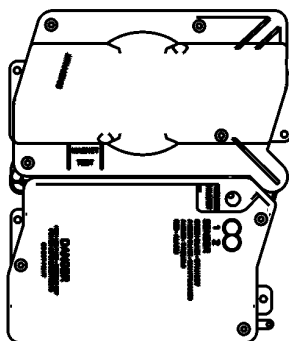
2 GFCI CONVENIENCE OUTLET



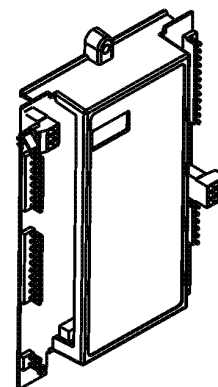
3 DISCONNECT MODULE (NON-FUSED)



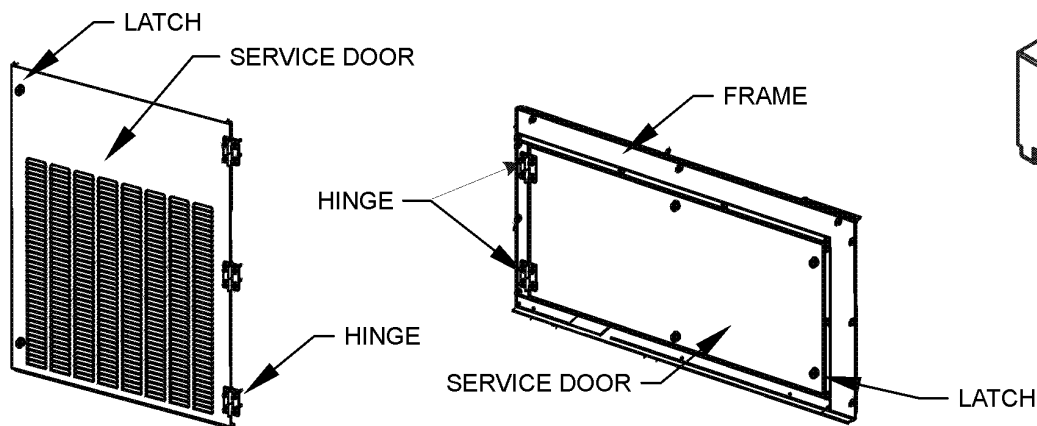
4 SMOKE DETECTORS



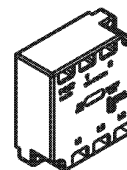
5 DDC CONTROL



6 HINGED DOOR ASSEMBLIES



7 PHASE MONITOR



Accessory Parts List

Ref. Part No:	Ref. Part No:	Description:	Description:
Image 1:			
NS EHK4-16		15 KW 460/3 ELECTRIC HEAT (M4)	
NS DDNECNJ90150B		7.5-12.5 TON DFLOW ECON (M2, M4)	
NS 10366D10B		7.5-12.5T DFLOW ECON, DDC (M5)	
NS 0121L00316		BRACKET-CONV OUTLET MOUNT (M1, M4)	
NS 0121L00768		BRACKET-SMOKE DETECTOR (M1, M4)	
NS 0121L00973NG		DISCONNECT SWITCH COVER (M1, M4, M5)	
NS 0121L01397NG		DOOR FRAME, BLOWER (M1, M4, M5)	
NS 0121L01406NG		DOOR FRAME, CONTROL (M1, M4, M5)	
NS 0121L02480NG		DOOR, SERVICE, FRONT, BLOWER (M1, M4, M5)	
NS EHK7-30		ELECTRIC HEATER KIT (M5)	
NS 0130L00012		GANG BOX-GFCI OUTLET (M1, M4)	
NS 0130L00039		HANDLE, ROTARY (M1, M4, M5)	
NS 0163M00307		HINGE, LEFT HAND (M1, M4, M5)	
NS 0163M00308		HINGE, RIGHT HAND (M1, M4, M5)	
NS 0163M00322		LATCH (M1, M4, M5)	
NS 0121L02220NG		PNT, DOOR FRAME FILTER (M1, M4, M5)	
NS 0121L02481NG		PNT, SERVICE DOOR BACK BLWR (M1, M4, M5)	
NS 0121L02223NG		PNT, SERVICE DOOR BACK FILTER (M1, M4, M5)	
NS 0121L02218NG		PNT, SERVICE DOOR FRONT FILTER (M1, M4, M5)	
NS 0161G00012		POWER OUTLET BOX (M1, M4)	
NS 0130L00103		RECEPTACLE-GFCI OUTLET (M1, M4)	
NS 0121L01404NG		SERVICE DOOR BACK, CONTROL (M1, M4, M5)	
NS 0121L01403NG		SERVICE DOOR FRONT, CONTROL (M1, M4, M5)	
NS 0130L00057		SHAFT, CUT (M4, M5)	
NS 0130L00049		SHAFT, DISCONNECT (M1, M4, M5)	
NS D4120		SMOKE DETECTOR, PHOTO 4WIRE (M1, M4)	
NS D4S		SMOKE DETECTOR, SENSOR ONLY (M1, M4)	
NS 0130L00027		SWITCH-DISCONNECT 100A (M1)	
NS 0130L00046		SWITCH-DISCONNECT 60A (M4, M5)	

Expanded Model Nomenclature

- | |
|-----------------------|
| M1 - DCC120XXX4WMMLAC |
| M2 - DCC120XXX4WVBXAC |
| M3 - DCC120XXX4WXXXAC |
| M4 - DCC1200164WWDJAC |
| M5 - DCC1200307WRMXAB |