

## Commercial 10 Ton Belt Drive Package Cooling Unit

DCC1200163BBXXAB  
DCC1200163BHDGAB  
DCC1200164BMXAAC  
DCC1200304BHDJAC  
DCC1200304BVDBAC  
DCC1200304BVDJAC  
DCC1200454BVXAAC  
DCC120XXX3BXDBAB  
DCC120XXX3BXXXAC  
DCC120XXX4BHXGAC  
DCC120XXX4BXXXAD



This manual is to be used by qualified technicians only.

This manual replaces RP-D1168D.

© 2017 - 2018 **DAIKIN COMPANY, L.P.** ♦ 5151 San Felipe St., Suite 500 ♦ Houston, TX 77056

# Important Information

---

## Index

Functional Parts List .....	3
Illustration and Parts .....	4 - 15

*Views shown are for parts illustrations only, not servicing procedures*

### Text Codes:

AR - As Required

NA - Not Available

NS - Not Shown

00000000 - See Note

QTY - Quantity Example (QTY 3) (If Quantity not shown, Quantity = 1)

M - Model Example (M1) (If M Code not shown, then part is used on all Models)

### Expanded Model Nomenclature:

Example M1 - Model#1 M2 - Model#2 M3 - Model#3
---

Daikin Company, L.P. is not responsible for personal injury or property damage resulting from improper service. Review all service information before beginning repairs.

Warranty service must be performed by an authorized technician, using authorized factory parts. If service is required after the warranty expires, Daikin Company, L.P. also recommends contacting an authorized technician and using authorized factory parts.

Daikin Company, L.P. reserves the right to discontinue, or change at any time, specifications or designs without notice or without incurring obligations.

For assistance within the U.S.A. contact:

Equipment Support  
Daikin North America, LLC  
19001 Kermier Road  
Waller, Texas 77484  
855-770-5678-Telephone  
713-863-2382-Facsimile

For assistance outside the U.S.A. contact:

International Division  
Daikin North America, LLC  
19001 Kermier Road  
Waller, Texas 77484  
713-861-2500-Telephone  
713-863-2382-Facsimile

# Functional Parts

## Part

## No: Description:

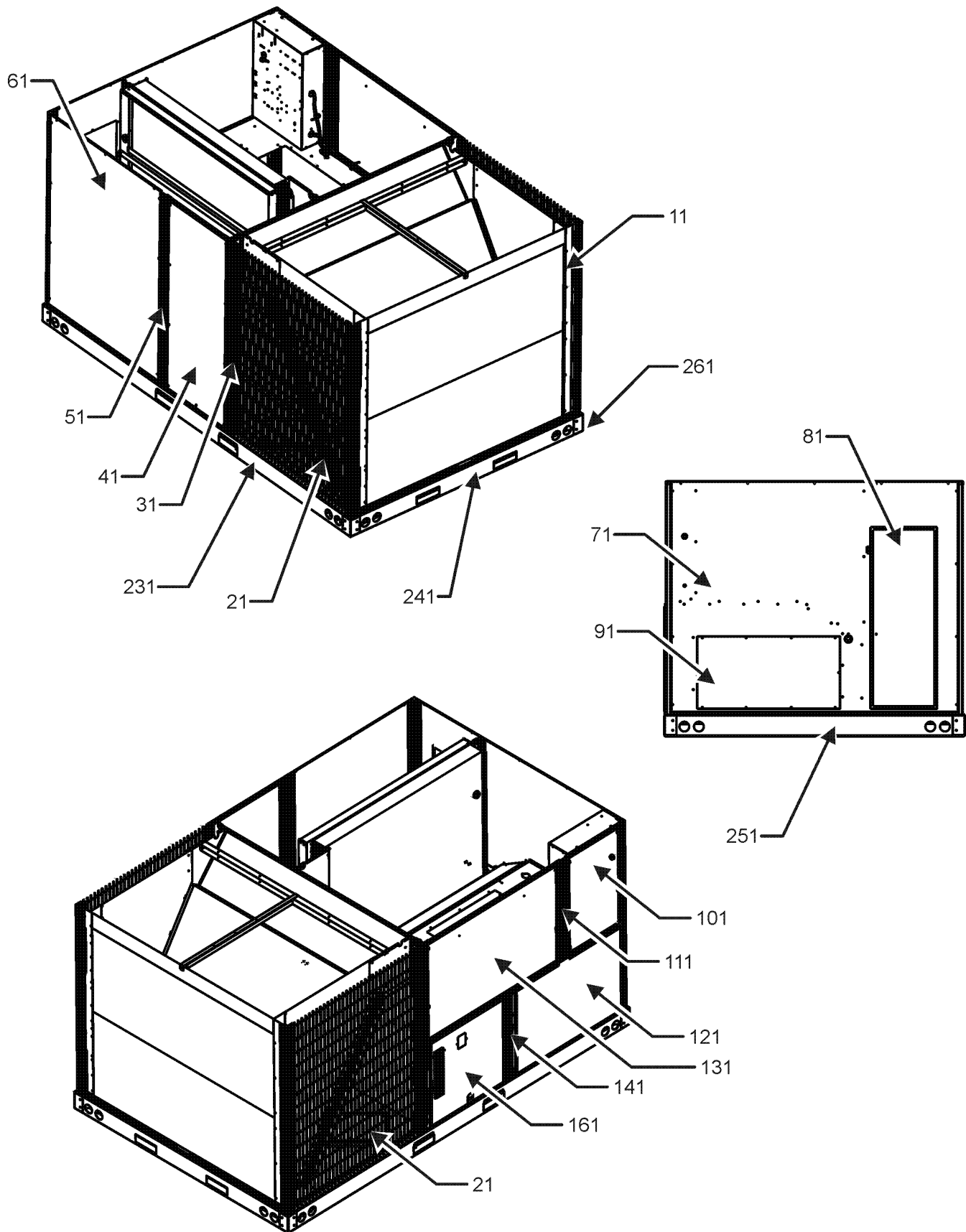
---

B3240006	BELT DRIVE MOTOR 2 HP
03-78497	BLOWER WHEEL
CAP100000370LA	CAPACITOR 10/370V (QTY 2)
ZP51K5ETF5130	COMPRESSOR 51000, 208/230/60/3 (M1, M2, M5, M6)
ZP51K5ETFD130	COMPRESSOR 51000, 460/60/3 (M3, M4, M7, M8, M9, M10, M11)
0131M00430	COND MOTOR 1/3 HP, 1 SP, 6 PL (M1, M2, M5, M6)
CONT3P025024V	CONTACTOR 25 AMP, 3P, 24V (QTY 3)
0130M00030	CUT-OUT SWITCH, HIGH PRESSURE
0130M00031	CUT-OUT SWITCH, HIGH PRESSURE
0130L00002	CUT-OUT SWITCH, LOW PRESSURE
0130L00003	CUT-OUT SWITCH, LOW PRESSURE
0130L00112	Duct Temp Sensor (M5, M7)
PCBFM103	ELECTRONIC BLOWER TIME DELAY (M1, M2, M3, M4, M6, M8, M9, M10, M11)
10625733	FAN BLADE 22" ALUM CCW (QTY 2)
0131M00774	MOTOR, 1/3 HP, OD (M3, M4, M7, M8, M9, M10, M11)
0164L00000	NOTCHED FAN BELT AX51
0130L00108	OD Air Temp Sensor (M5, M7)
0130M00038	TERMINAL BOARD (M1, M2, M3, M4, M6, M8, M9, M10, M11)
0130M00144	TRANSFORMER (M1, M2, M5, M6)
0130M00145	TRANSFORMER 480V to 24V, 75VA (M3, M4, M7, M8, M9, M10, M11)

### Expanded Model Nomenclature

M1 - DCC120XXX3BXDBAB
M2 - DCC120XXX3BXXXAC
M3 - DCC120XXX4BHXGAC
M4 - DCC120XXX4BXXXAD
M5 - DCC1200163BBXXAB
M6 - DCC1200163BHDGAB
M7 - DCC1200164BMXAAC
M8 - DCC1200304BHDJAC
M9 - DCC1200304BVDBAC
M10 - DCC1200304BVDJAC
M11 - DCC1200454BVXAAC

# Cabinet Assembly



# Cabinet Assembly

Ref. Part No: No:	Description:	Ref. Part No: No:	Description:
-------------------	--------------	-------------------	--------------

**Image 1:**

11	0121L00065RFNG	CORNER POST (QTY 3)
11	0121L01407RFNG	CORNER POST (M1, M6, M8, M9, M10)
21	0121L00511NG	LOUVERED SIDE PANEL (QTY 2)
31	0121L00738RFNG	ROLL FORM SIDE POST (M2, M3, M4, M5, M7, M11)
31	0121L01400RFNG	ROLL FORM SIDE POST (M1, M6, M8, M9, M10)
41	0121L00737NG	FILTER DOOR
51	0121L00739RFNG	FILTER DOOR POST (M2, M3, M4, M5, M7, M11)
51	0121L01432RFNG	FILTER DOOR POST (M1, M6, M8, M9, M10)
61	0121L00727	ECONOMIZER COVER (M9, M10, M11)
61	0121L00510NG	ECONOMIZER DOOR (M1, M2, M3, M4, M5, M6, M7, M8)
71	0121L01364NG	DUCT PANEL
71	0121L01365NG	DUCT PANEL (M3, M6, M7, M8)
71	0121L01366NG	DUCT PANEL (M10, M11)
81	0121L00082NG	RETURN DUCT COVER
91	0121L00099NG	SUPPLY DUCT COVER
101	0121L00974NG	CONTROL DOOR
111	0121L02517RFNG	RF, PAINTED CNTL POST HINGED (M1, M6, M8, M9, M10)
111	0121L02303RFNG	RF, PAINTED CONTROL POST (M2, M3, M4, M5, M7, M11)
121	0121L00767NG	ELECTRIC HEAT DOOR
131	0121L00763NG	BLOWER DOOR
141	0121L00765RFNG	BURNER BOX POST
161	0121L00828NG	BURNER AREA DOOR
231	0121L01099RF	RAIL, BASE SIDES RF (QTY 2)
241	0121L00834RF	RAIL-BASE COND END
251	0121L00071RF	RAIL, BASE DUCT END
261	0121G00301	RAIL CORNER BRACKET (QTY 4)
NS	0121L00055	BRACKET-FORK BOARD (QTY 4)
NS	0141L00006X	FORK BOARD (QTY 2)
NS	0164L00009	GASKET-RUBBER, CPOST (QTY 3)
NS	0164L00011	GASKET-RUBBER, SIDE POST (QTY 5)

**Expanded Model Nomenclature**

M1 - DCC120XXX3BXDBAB
M2 - DCC120XXX3BXXXAC
M3 - DCC120XXX4BHXGAC
M4 - DCC120XXX4BXXXAD
M5 - DCC1200163BBXXAB
M6 - DCC1200163BHDGAB
M7 - DCC1200164BMXAAC
M8 - DCC1200304BHDJAC
M9 - DCC1200304BVDBAC
M10 - DCC1200304BVDJAC
M11 - DCC1200454BVXAAC

# Top Panel and Tubing Assembly

IMAGE 1

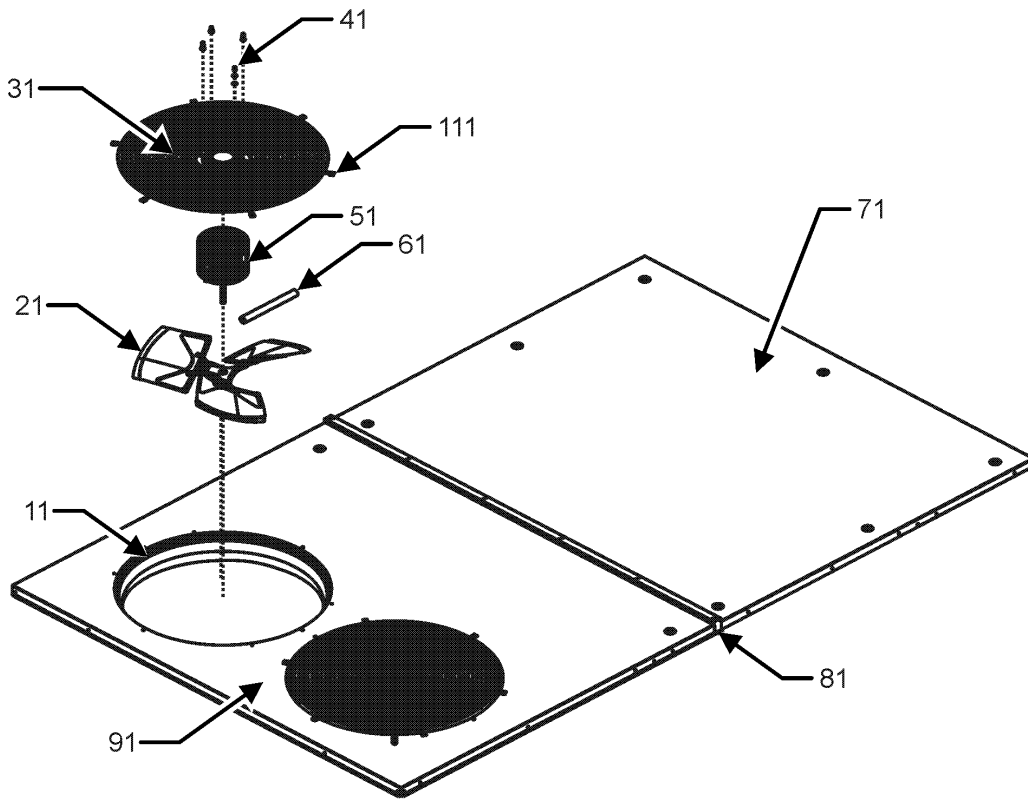
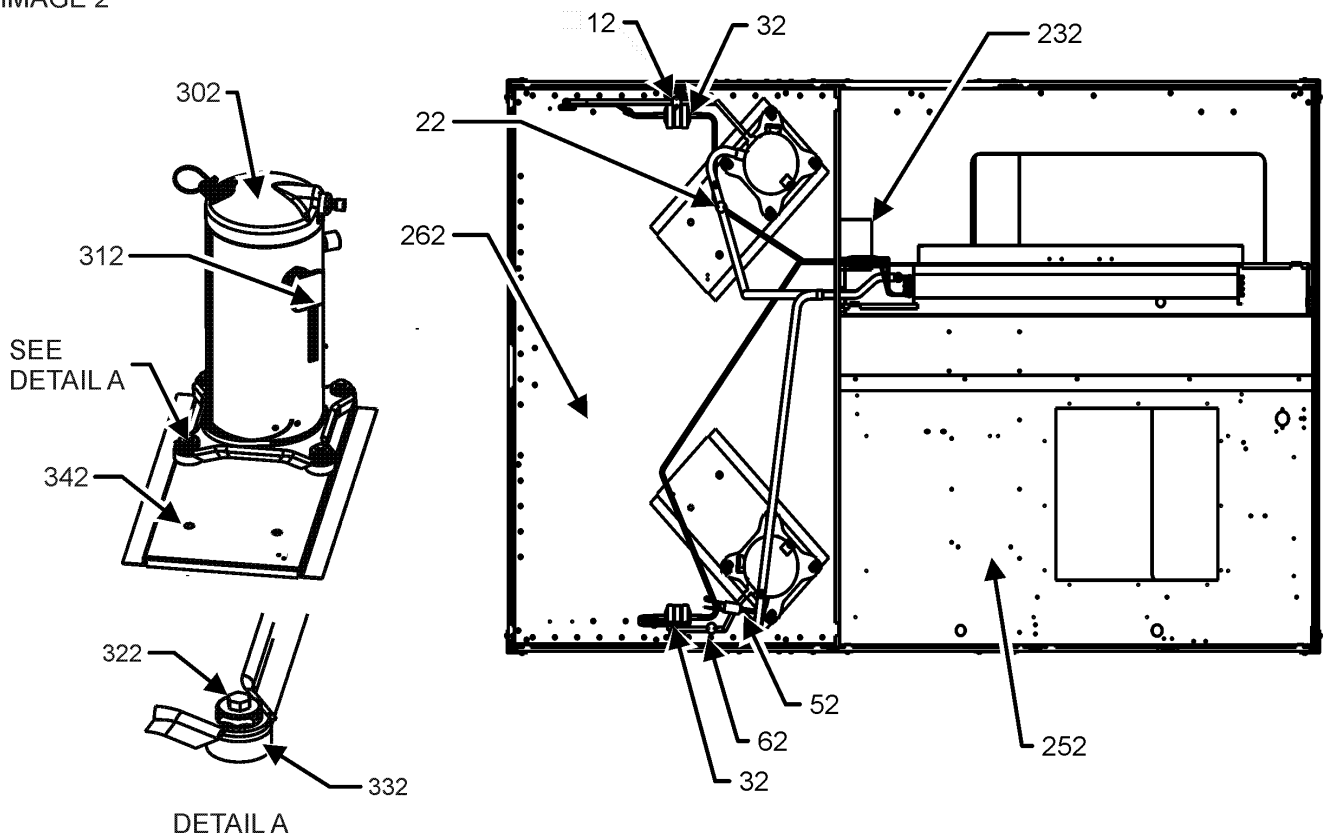


IMAGE 2



# Top Panel and Tubing Assembly

Ref. Part No: No:	Description:	Ref. Part No: No:	Description:
-------------------	--------------	-------------------	--------------

**Image 1:**

11	0161L00000	VENTURI RING 22" (QTY 2)
21	10625733	FAN BLADE 22" ALUM CCW (QTY 2)
31	0152G00000	FAN GRILLE, RAISED (QTY 2)
41	0163M00006P	ACORN NUT 5/16 HEX BLACK (QTY 8)
51	0131M00430	COND MOTOR 1/3 HP, 1 SP, 6 PL (M1, M2, M5,
51	0131M00774	MOTOR, 1/3 HP, OD (M3, M4, M7, M8, M9, M10, M11)
61	0163M00386	CONDUIT-FLEXIBLE
71	0121L00497NG	TOP INDOOR
81	20455902	SPLICE GASKET .50 X .25 (QTY 5)
91	0121L01105NG	TOP OUTDOOR
NS	0259L00026	COND MOTOR HARNESS 460V (M7)
NS	0259L00028	COND MOTOR HARNESS 460V (M7)
NS	0259L00511	HARNESS COND MOTOR (M1, M2, M3, M4, M5, M6, M8, M9, M10, M11)
NS	0259L00512	HARNESS COND MOTOR (M1, M2, M3, M4, M5, M6, M8, M9, M10, M11)
NS	0163M00097	SCREW #10X3/4", BLACK (QTY 8)
NS	0163M00005P	WASHER, BLACK (.50 OD .218ID) (QTY 8)

**Image 2:**

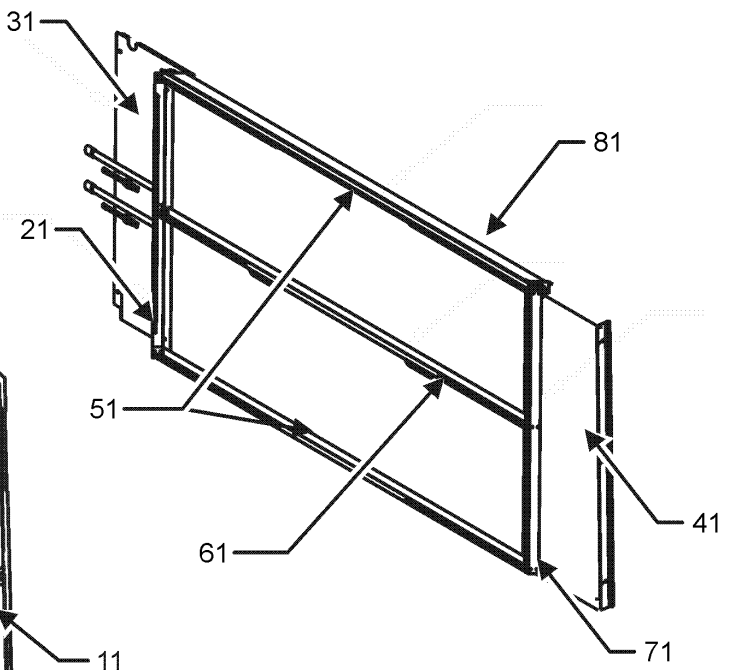
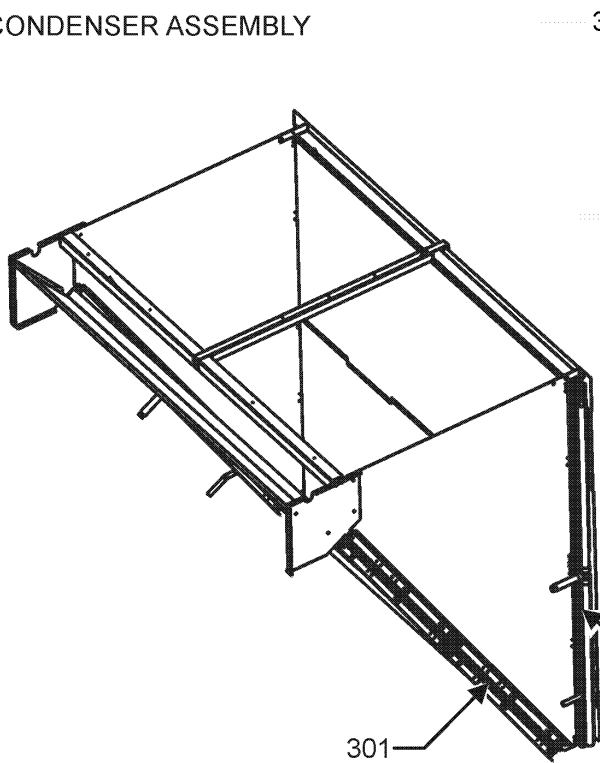
12	0130M00031	CUT-OUT SWITCH, HIGH PRESSURE
22	0130L00003	CUT-OUT SWITCH, LOW PRESSURE
32	B1219204	BI-FLOW FILTER DRIER (QTY 2)
52	0130L00002	CUT-OUT SWITCH, LOW PRESSURE
62	0130M00030	CUT-OUT SWITCH, HIGH PRESSURE
232	0121L00359	SHIELD-EVAPORATOR DRIP
252	0121L00944	BASE PAN - INDOOR
262	0121L02129	BASEPAN, OUTDOOR
302	ZP51K5ETF5130	COMPRESSOR 51000, 208/230/60/3 (M1, M2, M5, M6)
302	ZP51K5ETFD130	COMPRESSOR 51000, 460/60/3 (M3, M4, M7, M8, M9, M10, M11)
312	0159L00066	COMPRESSOR SCROLL HARNESS
312	0159L00067	COMPRESSOR SCROLL HARNESS
322	M0221641	TF SHOULDER SCREW (QTY 8)
332	B1339533	COMPRESSOR GROMMET (QTY 8)
342	0121L02128	COMPRESSOR MOUNTING PLATE (QTY 2)
NS	B1373315	ACCESS FITTING (QTY 4)
NS	0163M00175	CAP WITH O-RING (QTY 4)

**Expanded Model Nomenclature**

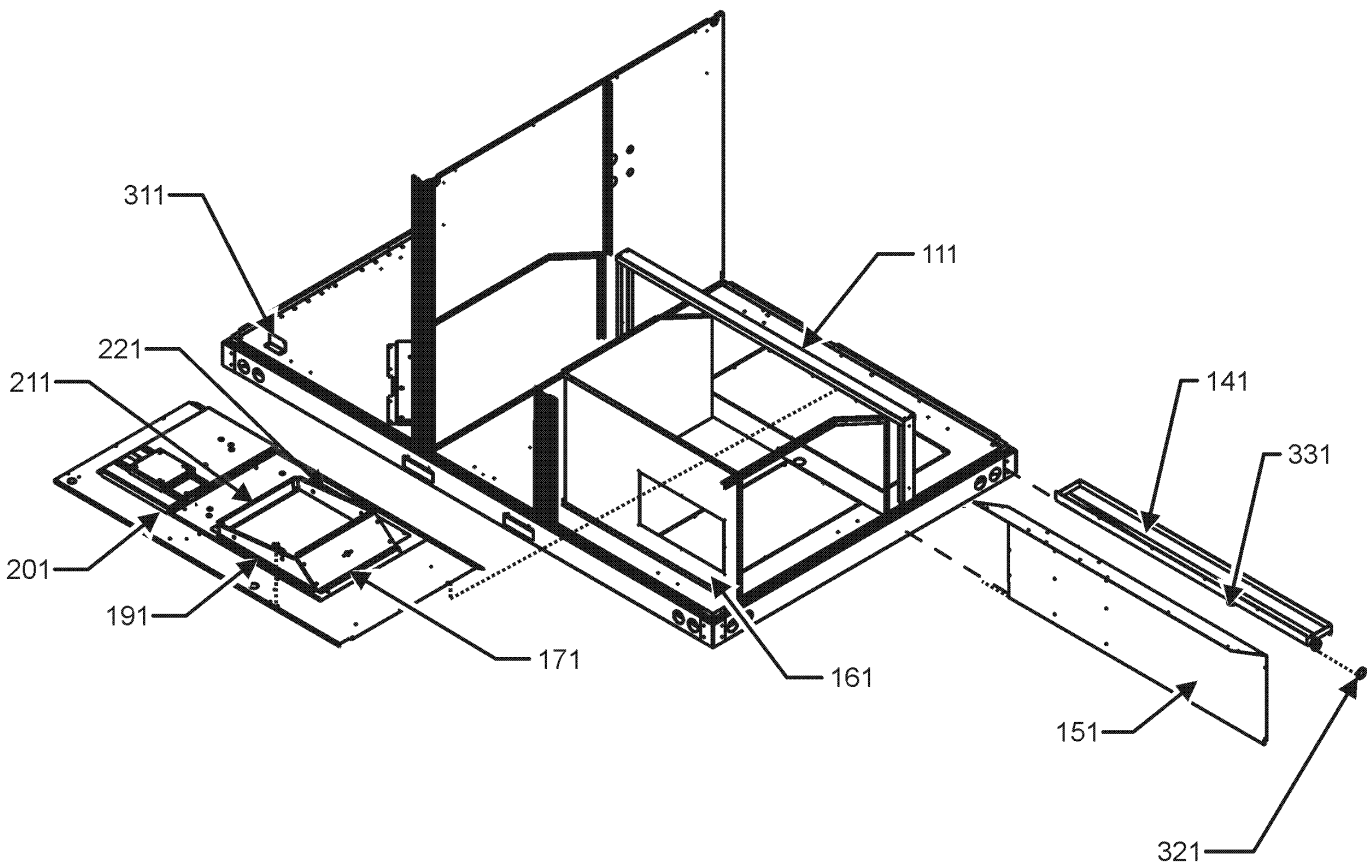
M1 - DCC120XXX3BXDBAB
M2 - DCC120XXX3BXXXAC
M3 - DCC120XXX4BHXGAC
M4 - DCC120XXX4BXXXAD
M5 - DCC1200163BBXXAB
M6 - DCC1200163BHDGAB
M7 - DCC1200164BMXAAC
M8 - DCC1200304BHDJAC
M9 - DCC1200304BVDBAC
M10 - DCC1200304BVDJAC
M11 - DCC1200454BVXAAC

# Partition, Evaporator & Condenser Assy

CONDENSER ASSEMBLY



EVAPORATOR ASSEMBLY



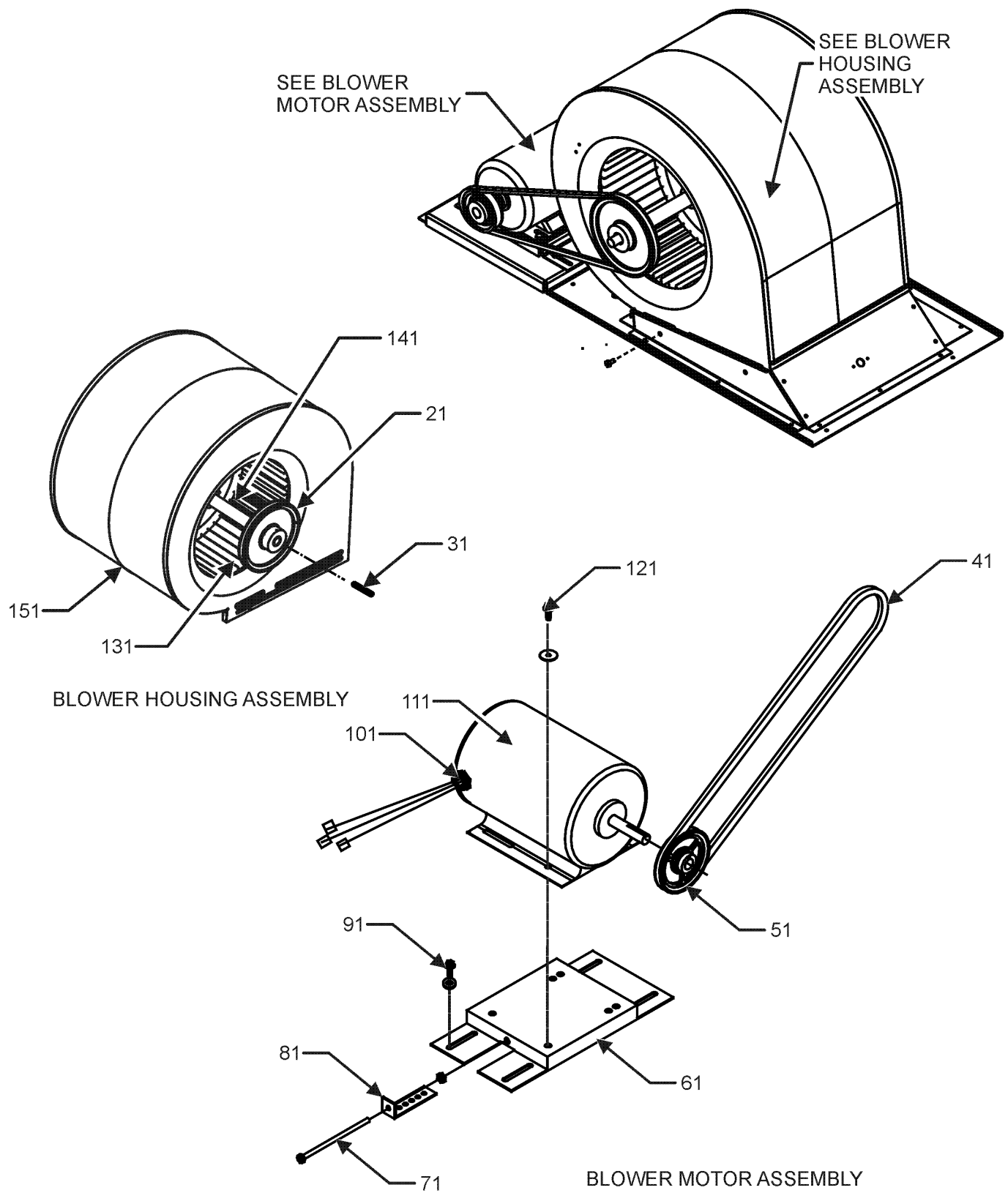
# Partition, Evaporator & Condenser Assy

Ref. Part No: No:	Description:	Ref. Part No: No:	Description:
<i>Image 1:</i>			
11	0201L00200		COND COIL ASSY, 5MM C1
21	0121L00650		FILTER ANGLE-VERTICAL (RETURN SIDE)
31	0121L00210		EVAP EXTENSION-RETURN SIDE
41	0121L00843		EVAP EXTENSION-HAIRPIN SIDE
51	0121L00649		FILTER ANGLE - HORIZONTAL (QTY 2)
61	0121L01257		ANGLE-FILTER CENTER
71	0121L00358		FILTER ANGLE-VERTICAL (HAIRPIN SIDE)
81	0202L00085		TUBING ASSY, EVAP COIL
111	0121L00508		DRAIN PAN SUPPORT
141	0161L00002		DRAIN PAN
151	0121L00374		DECK SIDE CHANNEL
161	0121L00365		ELECTRIC HEAT PANEL
171	0121L00168		BLOWER TRANSITION, RH END
191	0121L00092		BLOWER TRANSITION, FRONT
201	0121L02500		BLOWER DECK
211	0121L00169		BLOWER TRANSITION, LH END
221	0121L00094		BLOWER TRANSITION, BACK
301	0201L00201		COND COIL ASSY, 5MM C2
311	0121L00914		BRACE-CONDENSER (QTY 2)
321	0154L00009		DRAIN PAN GASKET
331	0163L00071		PLUG, DRAIN
NS	0160L00175		AIR FILTER 16 X 24 X 2 (QTY 4)
NS	0121L01398		DECK, SUPPORT BLOWER (M1, M6, M8, M9, M10)
NS	0121L01402		DECK, SUPPORT CONTROL (M1, M6, M8, M9, M10)
NS	0121L00321		SMOKE DETECTOR COVER (QTY 2)

## Expanded Model Nomenclature

M1 - DCC120XXX3BXDBAB
M2 - DCC120XXX3BXXXAC
M3 - DCC120XXX4BHXGAC
M4 - DCC120XXX4BXXXAD
M5 - DCC1200163BBXXAB
M6 - DCC1200163BHDGAB
M7 - DCC1200164BMXAAC
M8 - DCC1200304BHDJAC
M9 - DCC1200304BVDBAC
M10 - DCC1200304BVDJAC
M11 - DCC1200454BVXAAC

# Belt Drive Blower Assembly



# Belt Drive Blower Assembly

Ref. Part No: No:	Description:	Ref. Part No: No:	Description:
-------------------	--------------	-------------------	--------------

**Image 1:**

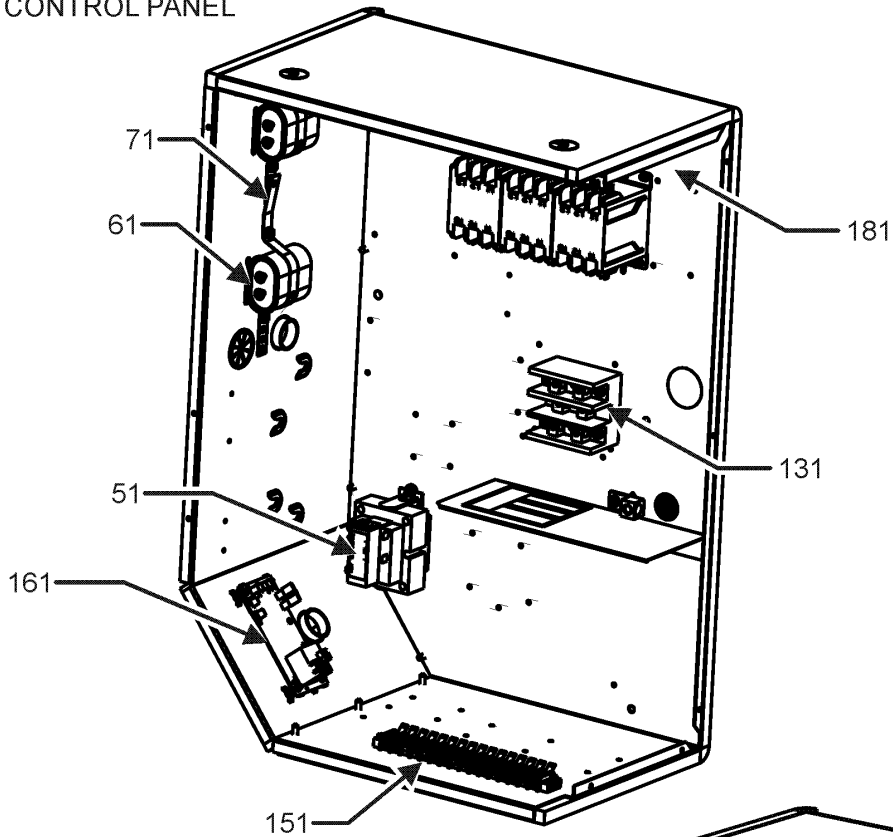
21	0163L00134	SHEAVE, FIXED AK74H
31	B1398604	STEEL KEY (000158812) 2.0"
41	0164L00000	NOTCHED FAN BELT AX51
51	0163L00012	VARIABLE PITCH SHEAVE VL40
61	0121L01504	MOTOR BASE
71	0163M00045	BOLT 1/4-20 X 4"
81	3225000F	BELT TIGHTENER ANGLE
91	B1446707	SCREW 5/16-18 X 1" (QTY 4)
101	B1393726	ELECT. CONNECTING BUSHING
111	B3240006	BELT DRIVE MOTOR 2 HP
121	B1393738	BOLT 1/4-20 X 3/4" (QTY 4)
131	03-78497	BLOWER WHEEL
141	04-11526	BLOWER SHAFT
151	04-01526	BLOWER HOUSING
NS	04-02196	BEARING & FRAME ASSY
NS	0259L00008	MOTOR HARNESS-BELT DRIVE

**Expanded Model Nomenclature**

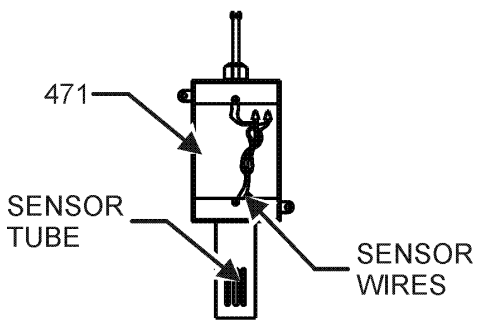
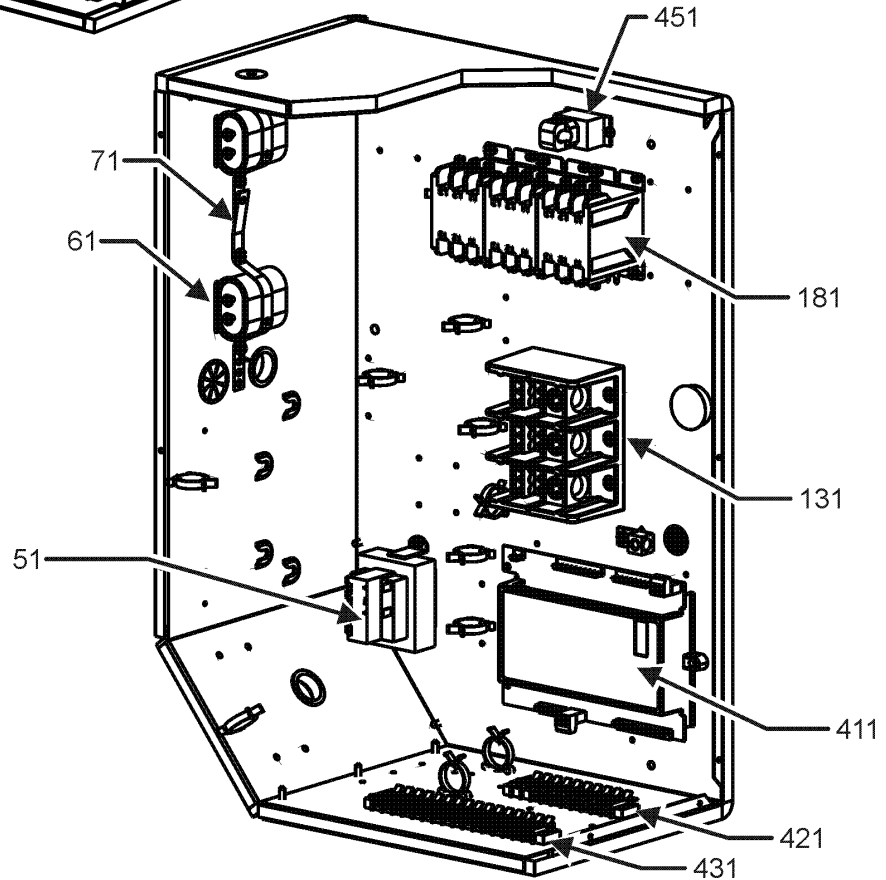
- |                        |
|------------------------|
| M1 - DCC120XXX3BXDBAB  |
| M2 - DCC120XXX3BXXXAC  |
| M3 - DCC120XXX4BHXGAC  |
| M4 - DCC120XXX4BXXXAD  |
| M5 - DCC1200163BBXXAB  |
| M6 - DCC1200163BHDGAB  |
| M7 - DCC1200164BMXAAC  |
| M8 - DCC1200304BHDJAC  |
| M9 - DCC1200304BVDBAC  |
| M10 - DCC1200304BVDJAC |
| M11 - DCC1200454BVXAAC |

# Control Box Assembly

STANDARD  
CONTROL PANEL



CONTROL BOX  
FOR MODELS  
WITH DDC CONTROL



FRONT VIEW

# Control Box Assembly

Ref. Part No:	No:	Description:	Ref. Part No:	No:	Description:
<b>Image 1:</b>					
51	0130M00144	TRANSFORMER (M1, M2, M5, M6)			
51	0130M00145	TRANSFORMER 480V to 24V, 75VA (M3, M4, M7, M8, M9, M10, M11)			
61	CAP100000370LA	CAPACITOR 10/370V (QTY 2)			
71	20520901	CAPACITOR STRAP (QTY 2)			
131	0130M00042	BLOCK, POWER			
151	0130M00038	TERMINAL BOARD (M1, M2, M3, M4, M6, M8, M9, M10, M11)			
161	PCBFM103	ELECTRONIC BLOWER TIME DELAY (M1, M2, M3, M4, M6, M8, M9, M10, M11)			
181	CONT3P025024V	CONTACTOR 25 AMP, 3P, 24V (QTY 3)			
411	PCBCG100	DDC Controller (M5, M7)			
421	0130M00274	TERMINAL BOARD (M5, M7)			
431	0130M00275	TERMINAL BOARD (M5, M7)			
451	0259L00368	CURRENT SWITCH WITH TERMS (M5, M7)			
471	0130L00108	OD Air Temp Sensor (M5, M7)			
NS	0259L00386	ANALOG OUTPUT, DDC (M5, M7)			
NS	0130L00112	Duct Temp Sensor (M5, M7)			
NS	0259L00165	ECONOMIZER HARNESS			
NS	0259L00401	HARN, BINARY INPUT, DDC (M5, M7)			
NS	0259L00382	HARN, CNTL PWR, DDC (M5, M7)			
NS	0259L00385	HARN, CNTL, HEAT PLUG INTERCON (M5, M7)			
NS	0259L00399	HARN, PWR XFMR CNTL (M5, M7)			
NS	0259L00408	HARN, RELAY OUTPUT, DDC (M5, M7)			
NS	0259L00496	HARNESS, NON POW, CONV, OUT (M3, M6, M7, M8, M10, M11)			
NS	0259L00092	HARNESS-SMOKE DETECTOR SENSOR (M3, M6, M8, M10)			
NS	0259L00032	LCM HARNESS, ELECTRIC HEAT			
NS	0130L00107	ROOM SENSOR (M5, M7)			
NS	0259L00502	WIRE HARNESS			
NS	0259L00503	WIRE HARNESS (M5, M7)			
NS	0259L00148	WIRE HARNESS ASSY			
NS	0259L00158	WIRE HARNESS ASSY			
NS	0259L00090	WIRE HARNESS-SMOKE DETECTOR (M3, M6, M8, M10)			

## Expanded Model Nomenclature

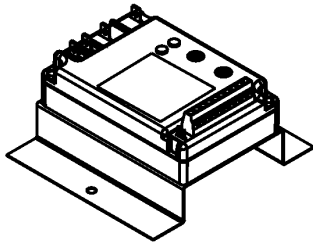
M1 - DCC120XXX3BXDBAB
M2 - DCC120XXX3BXXXAC
M3 - DCC120XXX4BHXGAC
M4 - DCC120XXX4BXXXAD
M5 - DCC1200163BBXXAB
M6 - DCC1200163BHDGAB
M7 - DCC1200164BMXAAC
M8 - DCC1200304BHDJAC
M9 - DCC1200304BVDBAC
M10 - DCC1200304BVDJAC
M11 - DCC1200454BVXAAC

# Accessory Part List

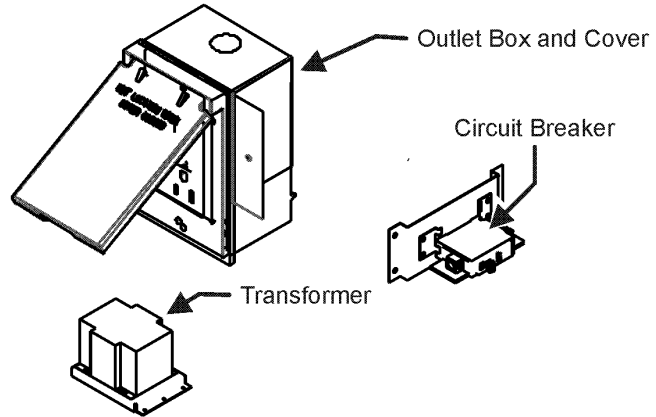
## ACCESSORY PARTS LIST

NOTE: NOT ALL OPTIONS AVAILABLE FOR ALL PRODUCTS

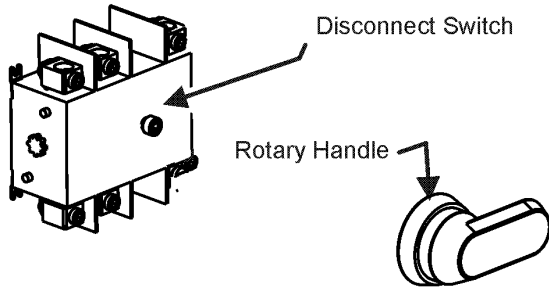
### 1 LOW AMBIENT KITS



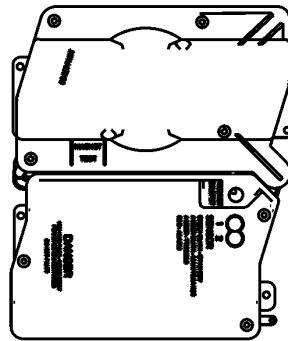
### 2 GFCI CONVENIENCE OUTLET



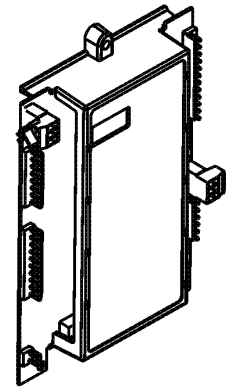
### 3 DISCONNECT MODULE (NON-FUSED)



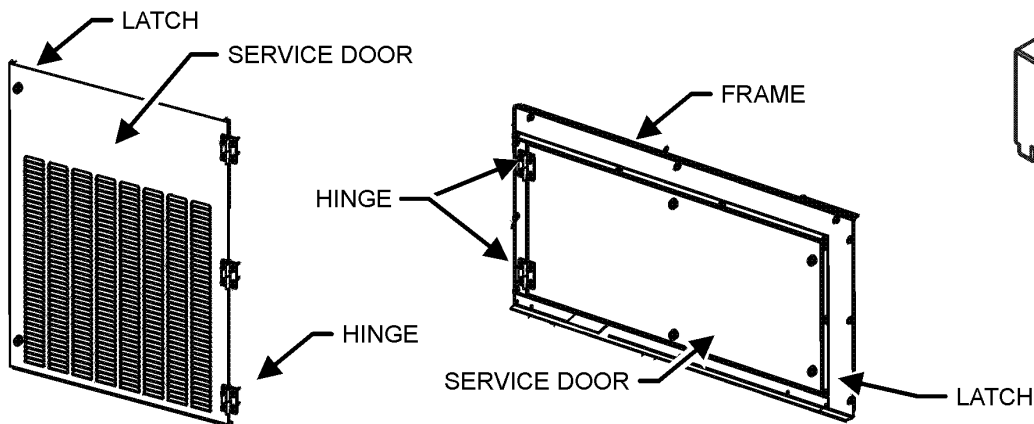
### 4 SMOKE DETECTORS



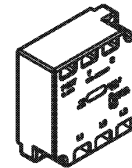
### 5 DDC CONTROL



### 6 HINGED DOOR ASSEMBLIES



### 7 PHASE MONITOR



# Accessory Part List

**Ref. Part  
No: No:**

**Description:**

**Ref. Part  
No: No:**

**Description:**

**Image 1:**

NS	EHK4-16	15 KW 460/3 ELECTRIC HEAT (M7)
NS	EHK3-16	15KW 208-230/3 (M5, M6)
NS	DDNECNJ90150B	7.5-12.5 TON DFLOW ECON (M9, M10, M11)
NS	0121L00316	BRACKET-CONV OUTLET MOUNT (M1, M3, M6, M7, M8, M9, M10, M11)
NS	0121L00768	BRACKET-SMOKE DETECTOR (M8, M10)
NS	0130M00065	CIRCUIT BREAKER, CONVENIENCE OUTLET (M1, M9)
NS	0121L00973NG	DISCONNECT SWITCH COVER (M3, M6, M7, M8)
NS	0121L01397NG	DOOR FRAME, BLOWER (M1, M6, M8, M9, M10)
NS	0121L01406NG	DOOR FRAME, CONTROL (M1, M6, M8, M9, M10)
NS	0121L02481NG	DOOR, SERVICE, BACK, BLOWER (M1, M6, M8, M9, M10)
NS	0121L02480NG	DOOR, SERVICE, FRONT, BLOWER (M1, M6, M8, M9, M10)
NS	EHK4-30	ELECTRIC HEATER KIT (M8, M9, M10)
NS	EHK4-45	ELECTRIC HEATER KIT (M11)
NS	0130L00012	GANG BOX-GFCI OUTLET (M1, M3, M6, M7, M8, M9, M10, M11)
NS	0130L00039	HANDLE, ROTARY (M3, M6, M7, M8)
NS	0163M00307	HINGE, LEFT HAND (M1, M6, M8, M9, M10)
NS	0163M00308	HINGE, RIGHT HAND (M1, M6, M8, M9, M10)
NS	0163M00322	LATCH (M1, M6, M8, M9, M10)
NS	0121L02220NG	PNT, DOOR FRAME FILTER (M1, M6, M8, M9, M10)
NS	0121L02223NG	PNT, SERVICE DOOR BACK FILTER (M1, M6, M8, M9, M10)
NS	0121L02218NG	PNT, SERVICE DOOR FRONT FILTER (M1, M6, M8, M9, M10)
NS	0161G00012	POWER OUTLET BOX (M1, M3, M6, M7, M8, M9, M10, M11)
NS	0130L00103	RECEPTACLE-GFCI OUTLET (M1, M3, M6, M7, M8, M9, M10, M11)
NS	0121L01404NG	SERVICE DOOR BACK, CONTROL (M1, M6, M8, M9, M10)
NS	0121L01403NG	SERVICE DOOR FRONT, CONTROL (M1, M6, M8, M9, M10)
NS	0130L00056	SHAFT, CUT (M3, M6)
NS	0130L00057	SHAFT, CUT (M7, M8)
NS	0130L00049	SHAFT, DISCONNECT (M3, M6, M7, M8)
NS	D4120	SMOKE DETECTOR, PHOTO 4WIRE (M8, M10)
NS	D4S	SMOKE DETECTOR, SENSOR ONLY (M8, M10)
NS	0130L00027	SWITCH-DISCONNECT 100A (M3, M6)
NS	0130L00046	SWITCH-DISCONNECT 60A (M7, M8)
NS	0130M00061	TRANSFORMER, CONVENIENCE OUTLET (M1, M9)

**Expanded Model Nomenclature**

M1 - DCC120XXX3BXDBAB
M2 - DCC120XXX3BXXXAC
M3 - DCC120XXX4BHXGAC
M4 - DCC120XXX4BXXXAD
M5 - DCC1200163BBXXAB
M6 - DCC1200163BHDGAB
M7 - DCC1200164BMXAAC
M8 - DCC1200304BHDJAC
M9 - DCC1200304BVDBAC
M10 - DCC1200304BVDJAC
M11 - DCC1200454BVXAAC