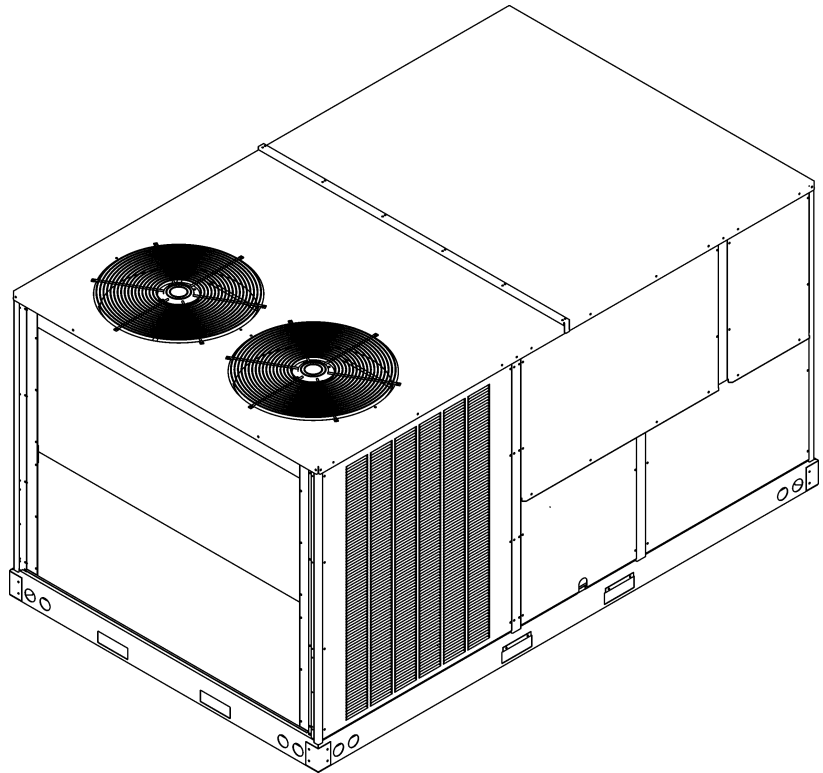


Commercial 10 Ton Package Cooling Unit

DCC1200163BHXAAB
DCC1200163BJXBAA
DCC1200163BJXBAB
DCC1200164BAXAAB
DCC1200164BAXAAC
DCC1200303BHXAAB
DCC1200303BHXBAA
DCC1200304BHXBAB
DCC1200304BHXBAC
DCC1200304BHXXAC
DCC120XXX3BBXXAB
DCC120XXX3BHXXAA
DCC120XXX3BHXXAB
DCC120XXX3BXXXAA
DCC120XXX3BXXXAB
DCC120XXX4BAXAAB
DCC120XXX4BAXAAC
DCC120XXX4BBXXAC
DCC120XXX4BHXAAC
DCC120XXX4BHXFAC
DCC120XXX4BHXXAB
DCC120XXX4BHXXAC
DCC120XXX4BXXBAB
DCC120XXX4BXXBAC
DCC120XXX4BXXXAA
DCC120XXX4BXXXAB
DCC120XXX4BXXXAC
DCC120XXX7BBXXAB
DCC120XXX7BXXXAA
DCC120XXX7BXXXAB



This manual is to be used by qualified technicians only.

This manual replaces RP-D1023J.

Important Information

Index

Functional Parts List	3
Illustration and Parts	4 - 17

Views shown are for parts illustrations only, not servicing procedures

Text Codes:

AR - As Required

NA - Not Available

NS - Not Shown

00000000 - See Note

QTY - Quantity Example (QTY 3) (If Quantity not shown, Quantity = 1)

M - Model Example (M1) (If M Code not shown, then part is used on all Models)

Expanded Model Nomenclature:

Example M1 - Model#1 M2 - Model#2 M3 - Model#3

Daikin Company, L.P. is not responsible for personal injury or property damage resulting from improper service. Review all service information before beginning repairs.

Warranty service must be performed by an authorized technician, using authorized factory parts. If service is required after the warranty expires, Daikin Company, L.P. also recommends contacting an authorized technician and using authorized factory parts.

Daikin Company, L.P. reserves the right to discontinue, or change at any time, specifications or designs without notice or without incurring obligations.

For assistance within the U.S.A. contact:

Homeowner Support
Daikin North America, LLC
19001 Kermier Road
Waller, Texas 77484
855-770-5678-Telephone
713-863-2382-Facsimile

For assistance outside the U.S.A. contact:

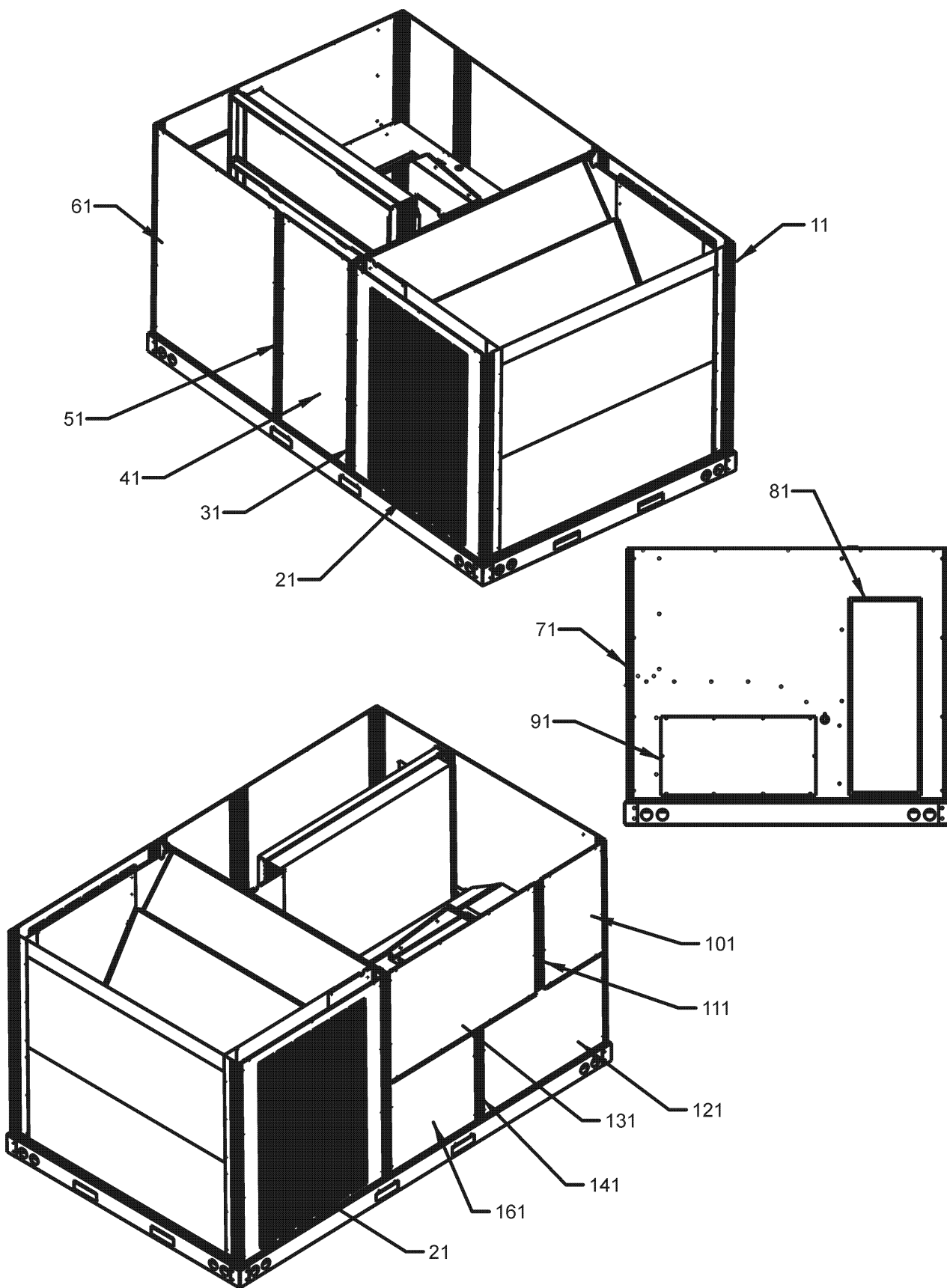
International Division
Daikin North America, LLC
19001 Kermier Road
Waller, Texas 77484
713-861-2500-Telephone
713-863-2382-Facsimile

Functional Parts

Part No: **Description:**

Part No:	Description:	Expanded Model Nomenclature
B3240006	BELT DRIVE MOTOR 2 HP (M1, M2, M3, M4, M5, M6, M7, M8, M9, M10, M11, M12, M13, M14, M15, M16, M17, M21, M22, M23, M24, M25, M26, M27, M28, M29, M30)	M1 - DCC120XXX3BBXXAB M2 - DCC120XXX3BHXXAA M3 - DCC120XXX3BHXXAB M4 - DCC120XXX3BXXXAA M5 - DCC120XXX3BXXXAB M6 - DCC120XXX4BAXAAB M7 - DCC120XXX4BAXAAC M8 - DCC120XXX4BBXXAC M9 - DCC120XXX4BHXAAC M10 - DCC120XXX4BHXXAC M11 - DCC120XXX4BHXXAB M12 - DCC120XXX4BHXXAC M13 - DCC120XXX4BXXBAB M14 - DCC120XXX4BXXBAB M15 - DCC120XXX4BXXXAA M16 - DCC120XXX4BXXXAB M17 - DCC120XXX4BXXXAC M18 - DCC120XXX7BBXXAB M19 - DCC120XXX7BXXXAA M20 - DCC120XXX7BXXXAB M21 - DCC1200163BHXAAB M22 - DCC1200163BJXBAA M23 - DCC1200163BJXBAB M24 - DCC1200164BAXAAB M25 - DCC1200164BAXAAC M26 - DCC1200303BHXAAB M27 - DCC1200303BHXAAB M28 - DCC1200304BHXBAA M29 - DCC1200304BHXBAB M30 - DCC1200304BHXXJAC
0131L00005	BELT DRIVE MOTOR 2 HP 575 V (M18, M19, M20)	
0130M00042	BLOCK, POWER	
CAP100000370LA	CAPACITOR 10/370V (M1, M2, M3, M4, M5, M6, M7, M8, M9, M10, M11, M12, M13, M14, M16, M17, M21, M22, M23, M24, M25, M26, M27, M30)	
CAP050000370LA	CAPACITOR 5/370V (M15, M19, M28, M29)	
CAP050000440LA	CAPACITOR 5/440V (M18, M20)	
ZP51K5ETF5130	COMPRESSOR 51000, 208/230/60/3 (M1, M2, M3, M4, M5, M21, M22, M23, M26, M27)	
ZP51K5ETFD130	COMPRESSOR 51000, 460/60/3 (M6, M7, M8, M9, M10, M11, M12, M13, M14, M15, M16, M17, M24, M25, M28, M29, M30)	
ZP51K5ETFE130	COMPRESSOR 51000, 575/60/3 (M18, M19, M20)	
0131M00430	COND MOTOR 1/3 HP, 1 SP, 6 PL (M1, M2, M3, M4, M5, M21, M22, M23, M26, M27)	
B13400249	COND MOTOR 1/3 HP, 460V (M15, M28, M29)	
0131M00179	COND MOTOR 1/3 HP, 6 PL, 575V (M19)	
0131M00500	COND MOTOR 1/3 HP, OD, LAK (M18, M20)	
0131M00433	COND MOTOR 460/60 1/3 HP (M6, M7, M8, M9, M10, M11, M12, M13, M14, M16, M17, M24, M25, M30)	
CONT3P025024V	CONTACTOR 25 AMP, 3P, 24V (QTY 3)	
0130M00031	CUT-OUT SWITCH, HIGH PRESSURE	
0130M00030	CUT-OUT SWITCH, HIGH PRESSURE	
0130L00002	CUT-OUT SWITCH, LOW PRESSURE	
0130L00003	CUT-OUT SWITCH, LOW PRESSURE	
PCBCG100	DDC Controller (M1, M8, M18)	
0130L00112	Duct Temp Sensor (M1, M8, M18)	
PCBFM103	ELECTRONIC BLOWER TIME DELAY	
10625733	FAN BLADE 22" ALUM CCW (QTY 2)	
0164L00000	NOTCHED FAN BELT AX51	
0130L00108	OD Air Temp Sensor (M1, M8, M18)	
0130M00038	TERMINAL BOARD	
0130M00274	TERMINAL BOARD (M1, M8, M18)	
0130M00275	TERMINAL BOARD (M1, M8, M18)	
0130M00144	TRANSFORMER (M1, M2, M3, M4, M5, M21, M22, M23, M26, M27)	
0130M00145	TRANSFORMER 480V to 24V, 75VA (M6, M7, M8, M9, M10, M11, M12, M13, M14, M15, M16, M17, M24, M25, M28, M29, M30)	
0130M00148	TRANSFORMER 575V to 24V, 75VA (M18, M19, M20)	

Cabinet Assy



Cabinet Assy

Ref. Part

No: No: Description:

Ref. Part

No: No: Description:

Image 1:

11	0121L00065RFNG	CORNER POST (QTY 4)
21	0121L00511NG	LOUVERED SIDE PANEL (QTY 2)
31	0121L00738RFNG	ROLL FORM SIDE POST (QTY 2)
41	0121L00737NG	FILTER DOOR
51	0121L00739RFNG	FILTER DOOR POST
61	0121L00727	ECONOMIZER COVER (M6, M24)
61	0121L01310	ECONOMIZER COVER (M7, M22, M23, M25)
61	0121L00510NG	ECONOMIZER DOOR (M1, M2, M3, M4, M5, M8, M9, M10, M11, M12, M13, M14, M15, M16, M17, M18, M19, M20, M21, M26, M27, M28, M29, M30)
71	0121L01364NG	DUCT PANEL (M1, M2, M4, M5, M8, M13, M14, M15, M16, M17, M18, M19, M20)
71	0121L01365NG	DUCT PANEL (M2, M3, M9, M10, M11, M12, M21, M22, M23, M26, M27, M28, M29, M30)
71	0121L01366NG	DUCT PANEL (M6, M7, M24, M25)
81	0121L00082NG	RETURN DUCT COVER
91	0270L00494	SUPPLY DUCT COVER
101	0121L00974NG	CONTROL DOOR
111	0121L00762RFNG	CONTROL BOX POST
121	0121L00767NG	ELECTRIC HEAT DOOR
131	0121L00763NG	BLOWER DOOR
141	0121L00765RFNG	BURNER BOX POST
161	0121L00828NG	BURNER AREA DOOR
NS	0164L00009	GASKET-RUBBER, CPOST (QTY 3)
NS	0164L00011	GASKET-RUBBER, SIDE POST (QTY 4)

Expanded Model Nomenclature

M1 - DCC120XXX3BBXXAB
M2 - DCC120XXX3BHXXAA
M3 - DCC120XXX3BHXXAB
M4 - DCC120XXX3BXXXAA
M5 - DCC120XXX3BXXXAB
M6 - DCC120XXX4BAXAAB
M7 - DCC120XXX4BAXAAC
M8 - DCC120XXX4BXXAC
M9 - DCC120XXX4BHXAAC
M10 - DCC120XXX4BHXFAC
M11 - DCC120XXX4BHXXAB
M12 - DCC120XXX4BHXXAC
M13 - DCC120XXX4BXXBAB
M14 - DCC120XXX4BXXBAC
M15 - DCC120XXX4BXXXAA
M16 - DCC120XXX4BXXXAB
M17 - DCC120XXX4BXXXAC
M18 - DCC120XXX7BBXXAB
M19 - DCC120XXX7BXXXAA
M20 - DCC120XXX7BXXXAB
M21 - DCC1200163BHXAAAB
M22 - DCC1200163BJXBAA
M23 - DCC1200163BJXBAB
M24 - DCC1200164BAXAAB
M25 - DCC1200164BAXAAC
M26 - DCC1200303BHXAAB
M27 - DCC1200303BHXAAB
M28 - DCC1200304BHXBAA
M29 - DCC1200304BHXBAB
M30 - DCC1200304BHXJAC

Top Panel / Tubing Assy

Image 1

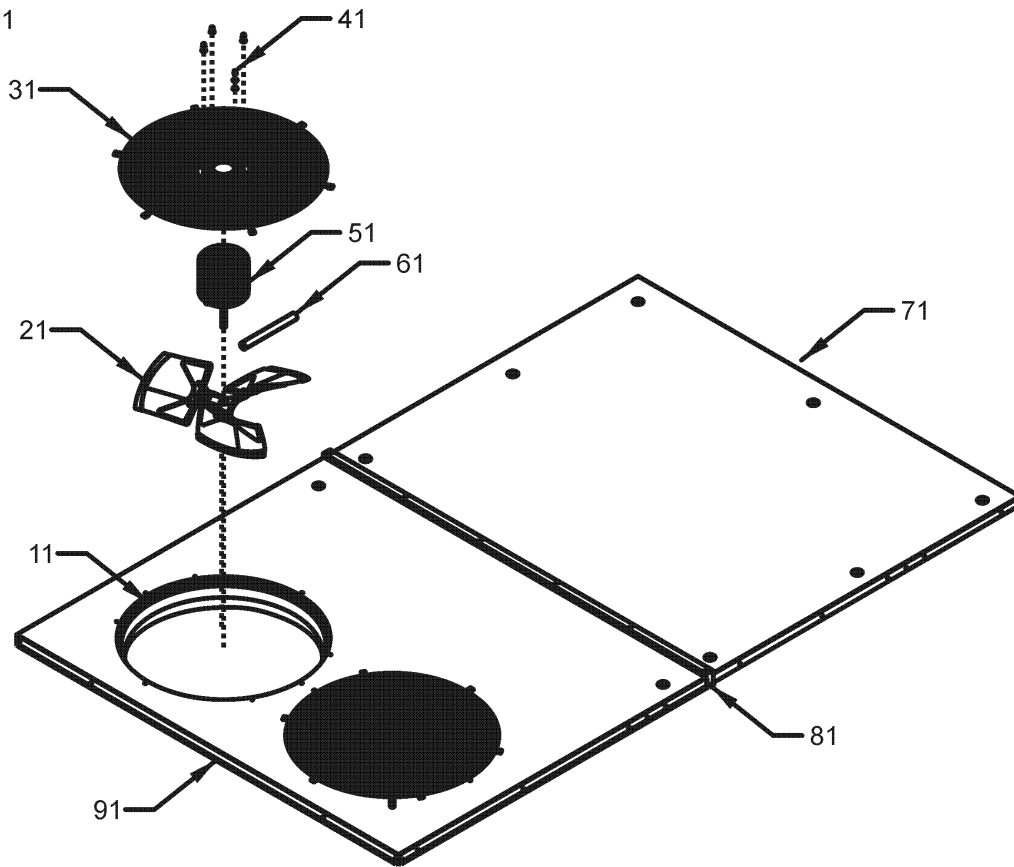
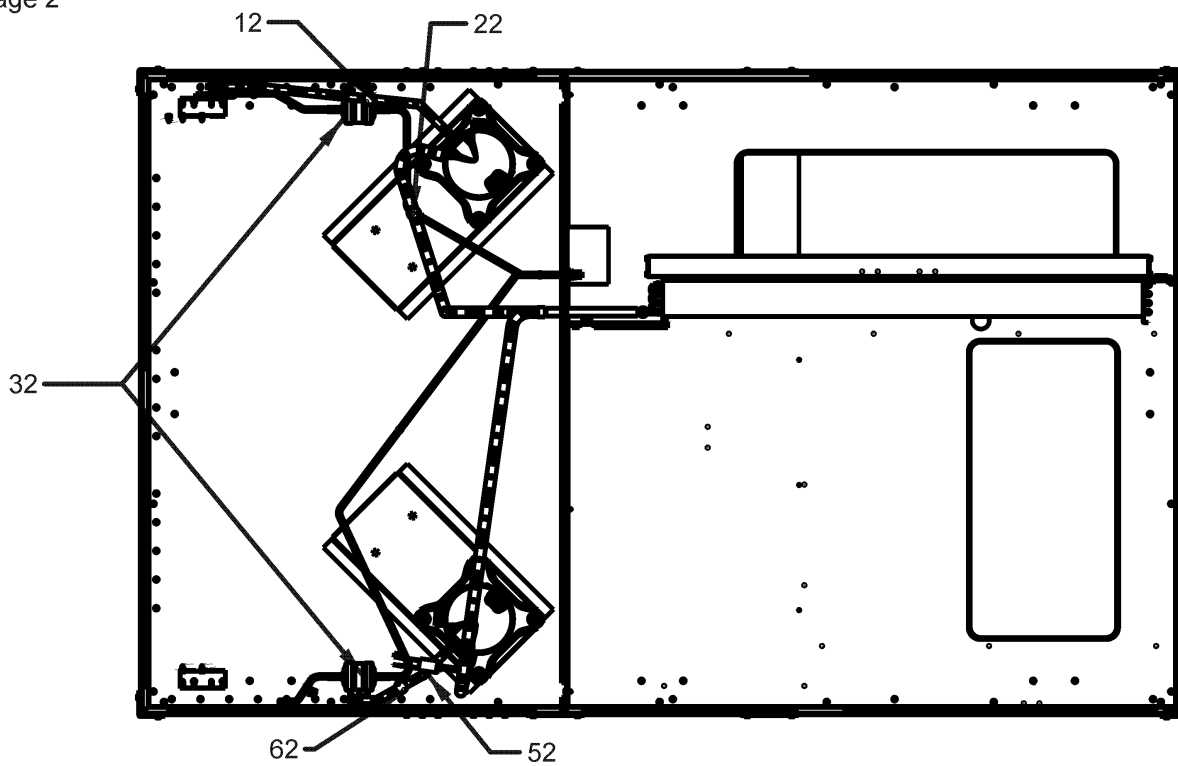


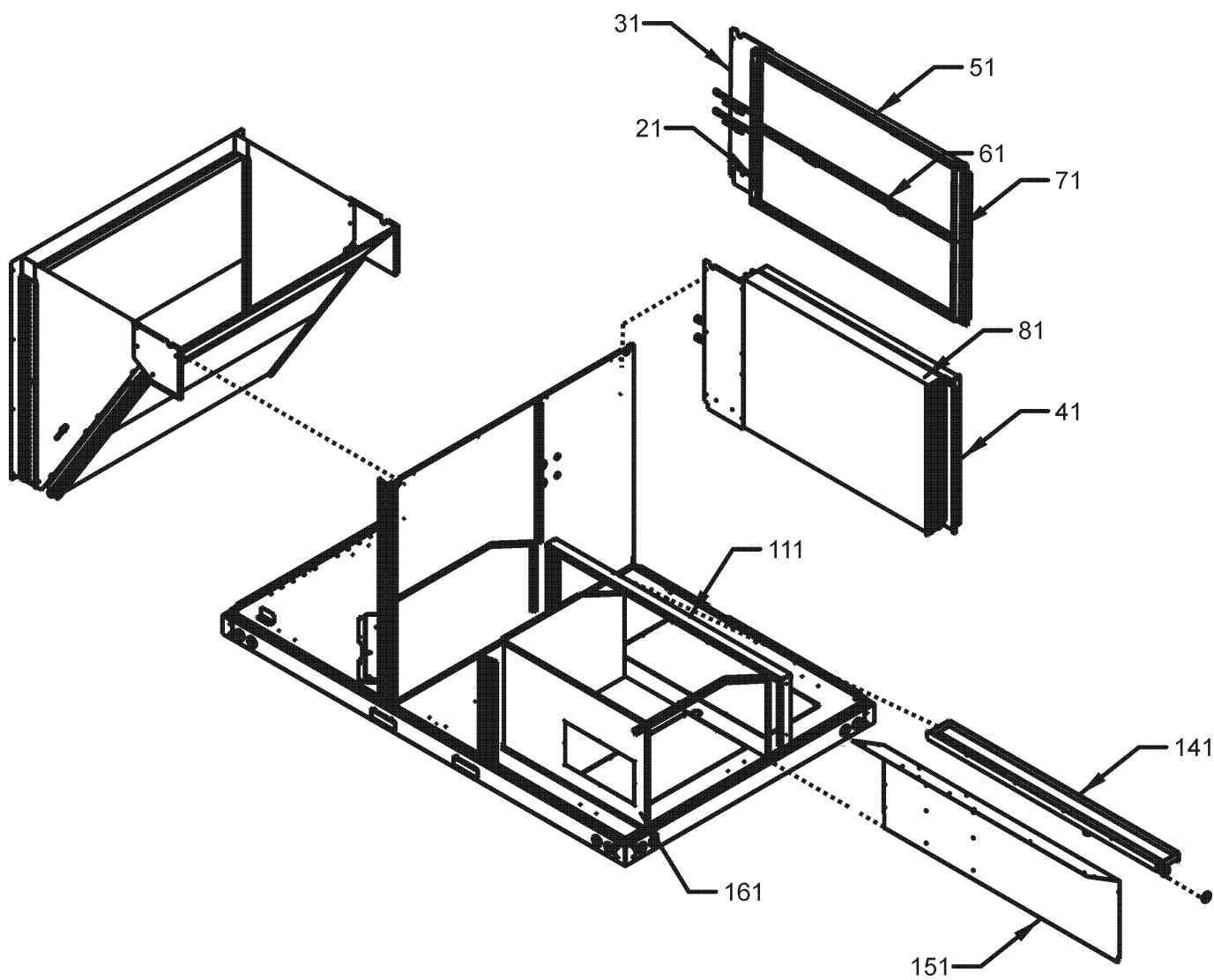
Image 2



Top Panel / Tubing Assy

Ref. Part No: No:	Description:	Ref. Part No: No:	Description:
Image 1:		Expanded Model Nomenclature	
11	0161L00000 VENTURI RING 22" (QTY 2)	M1	- DCC120XXX3BBXXAB
21	10625733 FAN BLADE 22" ALUM CCW (QTY 2)	M2	- DCC120XXX3BHXXAA
31	0152G00003 FAN GRILLE (M15, M19, M28, M29)	M3	- DCC120XXX3BHXXAB
31	0152G00000 FAN GRILLE, RAISED (M1, M2, M3, M4, M5, M6, M7, M8, M9, M10, M11, M12, M13, M14, M16, M17, M18, M20, M21, M22, M23, M24, M25, M26, M27, M30)	M4	- DCC120XXX3BXXXAA
31	0152G00000 FAN GRILLE, RAISED (M1, M2, M3, M4, M5, M6, M7, M8, M9, M10, M11, M12, M13, M14, M16, M17, M18, M20, M21, M22, M23, M24, M25, M26, M27, M30)	M5	- DCC120XXX3BXXXAB
41	0163M00006P ACORN NUT 5/16 HEX BLACK (QTY 8)	M6	- DCC120XXX4BAXAAB
51	0131M00430 COND MOTOR 1/3 HP, 1 SP, 6 PL (M1, M2, M3, M4, M5, M21, M22, M23, M26, M27)	M7	- DCC120XXX4BAXAAC
51	B13400249 COND MOTOR 1/3 HP, 460V (M15, M28, M29)	M8	- DCC120XXX4BBXXAC
51	0131M00179 COND MOTOR 1/3 HP, 6 PL, 575V (M19)	M9	- DCC120XXX4BHXAAC
51	0131M00500 COND MOTOR 1/3 HP, OD, LAK (M18, M20)	M10	- DCC120XXX4BHXFAC
51	0131M00433 COND MOTOR 460/60 1/3 HP (M6, M7, M8, M9, M10, M11, M12, M13, M14, M16, M17, M24, M25, M30)	M11	- DCC120XXX4BHXXAB
61	17788000083F PVC CONDUIT 8.25" (QTY 2)	M12	- DCC120XXX4BHXXAC
71	0121L00497NG TOP INDOOR	M13	- DCC120XXX4BXXBAB
81	20455902 SPLICE GASKET .50 X .25 (QTY 5)	M14	- DCC120XXX4BXXBAC
91	0121L01105NG TOP OUTDOOR	M15	- DCC120XXX4BXXXAA
NS	0259L00025 COND MOTOR HARNESS 230V (M1, M2, M3, M4, M5, M18, M19, M20, M21, M22, M23, M26, M27)	M16	- DCC120XXX4BXXXAB
NS	0259L00027 COND MOTOR HARNESS 230V (M1, M2, M3, M4, M5, M18, M19, M20, M21, M22, M23, M26, M27)	M17	- DCC120XXX4BXXXAC
NS	0259L00026 COND MOTOR HARNESS 460V (M6, M7, M8, M9, M10, M11, M12, M13, M14, M15, M16, M17, M24, M25, M28, M29, M30)	M18	- DCC120XXX7BBXXAB
NS	0259L00028 COND MOTOR HARNESS 460V (M6, M7, M8, M9, M10, M11, M12, M13, M14, M15, M16, M17, M24, M25, M28, M29, M30)	M19	- DCC120XXX7BXXXAA
NS	0163M00004 SCREW #10X3/4", BLACK (QTY 22)	M20	- DCC120XXX7BXXXAB
NS	0163M00005P WASHER, BLACK (.50 OD .218ID) (QTY 8)	M21	- DCC1200163BHXAAB
Image 2:		M22	- DCC1200163BJXBAA
12	0130M00031 CUT-OUT SWITCH, HIGH PRESSURE	M23	- DCC1200163BJXBAB
22	0130L00003 CUT-OUT SWITCH, LOW PRESSURE	M24	- DCC1200164BAXAAB
32	B1219204 BI-FLOW FILTER DRIER	M25	- DCC1200164BAXAAC
52	0130L00002 CUT-OUT SWITCH, LOW PRESSURE	M26	- DCC1200303BHXAAB
62	0130M00030 CUT-OUT SWITCH, HIGH PRESSURE	M27	- DCC1200303BHXAAB
NS	B1373315 ACCESS FITTING (QTY 4)	M28	- DCC1200304BHXBAA
NS	0163M00175 CAP WITH O-RING (QTY 4)	M29	- DCC1200304BHXBAB
		M30	- DCC1200304BHXJAC

Partition / Evaporator Assembly



Partition / Evaporator Assembly

Ref. Part No: No:	Description:	Ref. Part No: No:	Description:
-------------------	--------------	-------------------	--------------

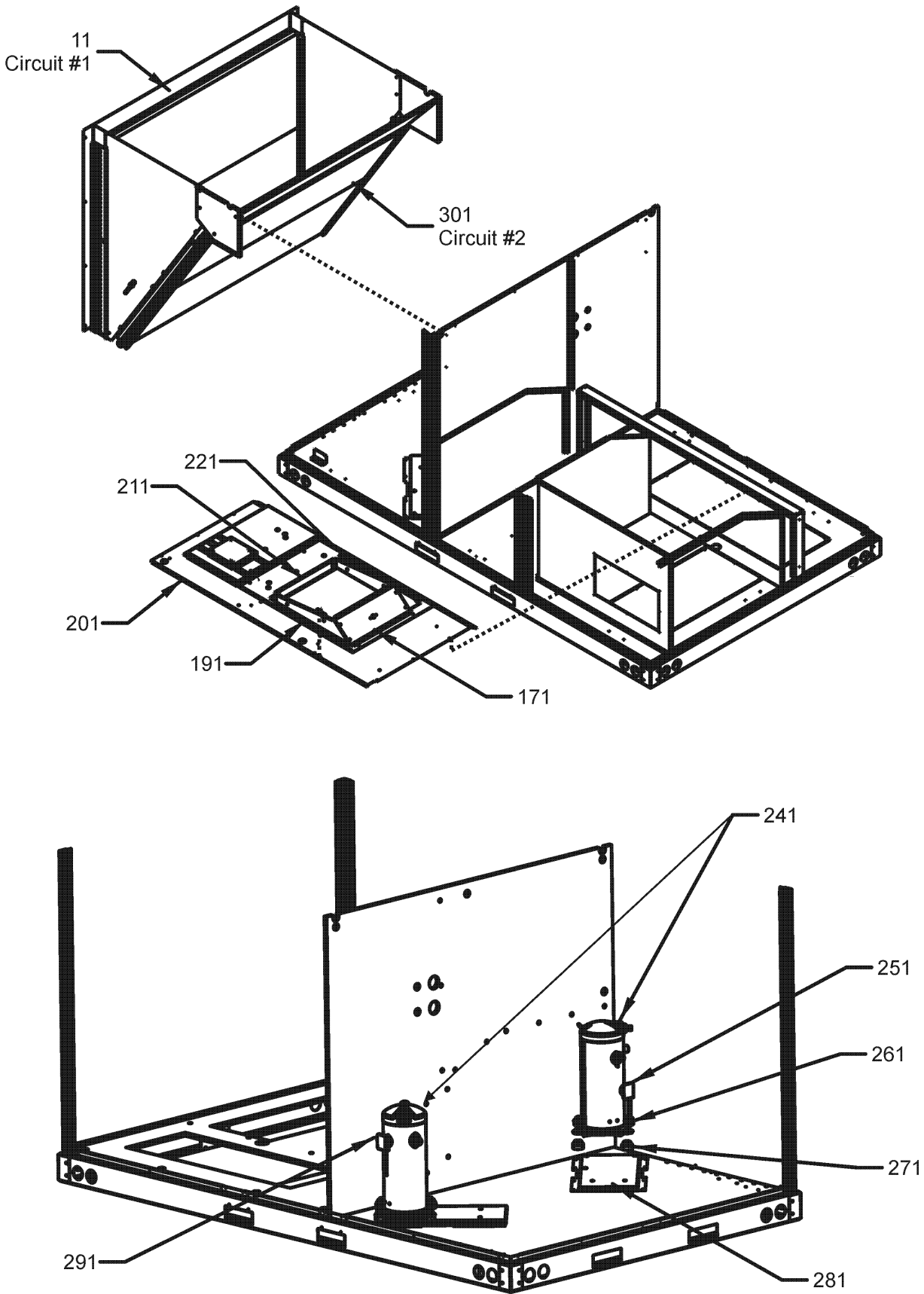
Image 1:

21	0121L00650	FILTER ANGLE-VERTICAL (RETURN SIDE)
31	0121L00210	EVAP EXTENSION-RETURN SIDE
41	0121L00843	EVAP EXTENSION-HAIRPIN SIDE
51	0121L00649	FILTER ANGLE - HORIZONTAL (QTY 2)
61	0121L01257	ANGLE, FILTER VERTICAL
71	0121L00358	FILTER ANGLE-VERTICAL (HAIRPIN SIDE)
81	0202L00007	TUBING ASSY, EVAP COIL (M2, M4, M6, M11, M13, M15, M16, M22, M24, M26, M28)
81	0202L00059	TUBING ASSY, EVAP COIL (M19)
81	0202L00085	TUBING ASSY, EVAP COIL (M1, M3, M5, M7, M8, M9, M10, M12, M14, M17, M18, M20, M21, M23, M25, M27, M29, M30)
111	0121L00508	DRAIN PAN SUPPORT
141	0161L00002	DRAIN PAN
151	0121L00374	DECK SIDE CHANNEL
161	0121L00365	ELECTRIC HEAT PANEL
NS	0160L00175	AIR FILTER 16 X 24 X 2 (QTY 4)

Expanded Model Nomenclature

M1 - DCC120XXX3BBXXAB
M2 - DCC120XXX3BHXXAA
M3 - DCC120XXX3BHXXAB
M4 - DCC120XXX3BXXXAA
M5 - DCC120XXX3BXXXAB
M6 - DCC120XXX4BAXAAB
M7 - DCC120XXX4BAXAAC
M8 - DCC120XXX4BBXXAC
M9 - DCC120XXX4BHXAAC
M10 - DCC120XXX4BHXFAC
M11 - DCC120XXX4BHXXAB
M12 - DCC120XXX4BHXXAC
M13 - DCC120XXX4BXXBAB
M14 - DCC120XXX4BXXBAC
M15 - DCC120XXX4BXXXAA
M16 - DCC120XXX4BXXXAB
M17 - DCC120XXX4BXXXAC
M18 - DCC120XXX7BBXXAB
M19 - DCC120XXX7BXXXAA
M20 - DCC120XXX7BXXXAB
M21 - DCC1200163BHXAAB
M22 - DCC1200163BJXBAA
M23 - DCC1200163BJXBAB
M24 - DCC1200164BAXAAB
M25 - DCC1200164BAXAAC
M26 - DCC1200303BHAAA
M27 - DCC1200303BHXAAB
M28 - DCC1200304BHXBAA
M29 - DCC1200304BHXBAB
M30 - DCC1200304BHXJAC

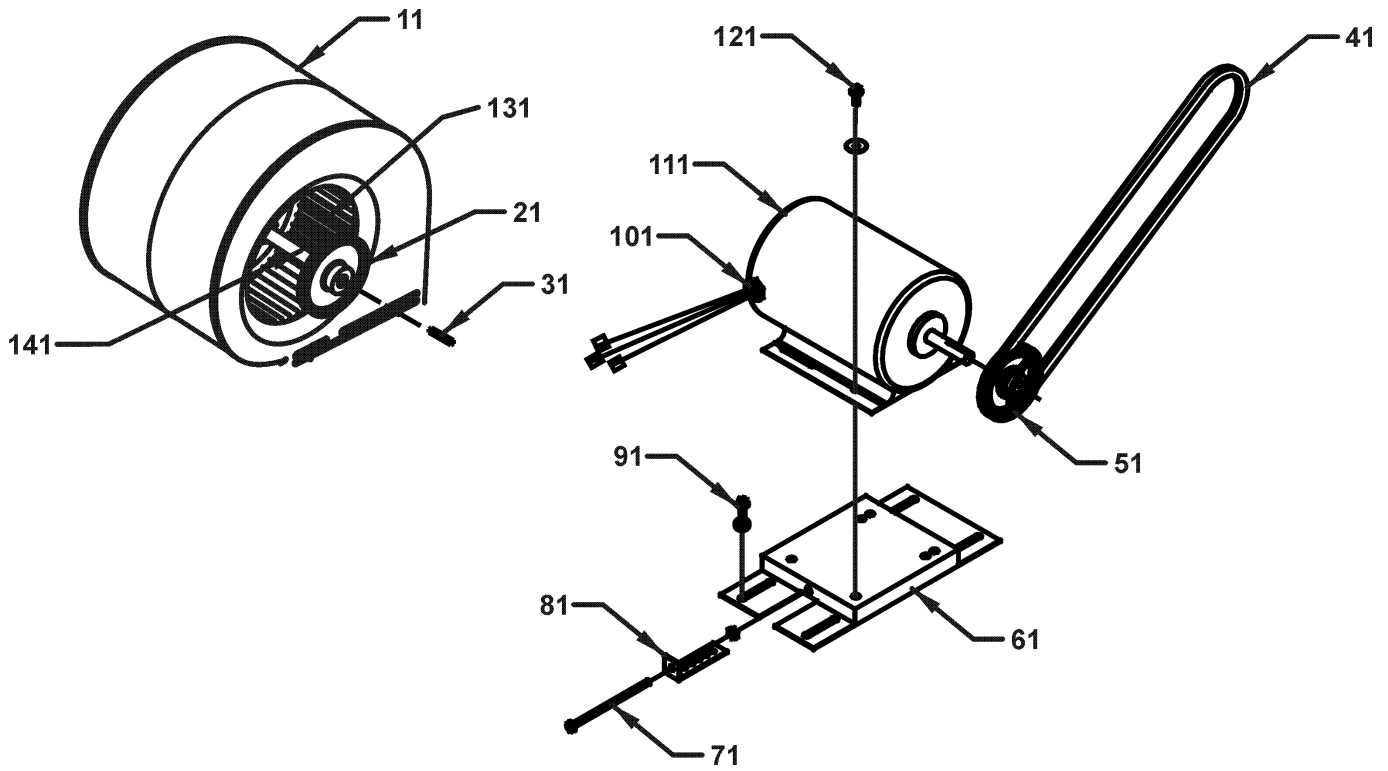
Compressor / Condenser / Partition Assy



Compressor / Condenser / Partition Assy

Ref. Part No: No:	Description:	Ref. Part No: No:	Description:
Image 1:		Expanded Model Nomenclature	
11	0201L00130	COND COIL ASSY, 5MM (M2, M4, M6, M11, M13, M15, M16, M19, M22, M24, M26, M28)	M1 - DCC120XXX3BBXXAB M2 - DCC120XXX3BHXXAA M3 - DCC120XXX3BHXXAB M4 - DCC120XXX3BXXXAA M5 - DCC120XXX3BXXXAB M6 - DCC120XXX4BAXAAB M7 - DCC120XXX4BAXAAC M8 - DCC120XXX4BBXXAC M9 - DCC120XXX4BHXAAC M10 - DCC120XXX4BHXFAC M11 - DCC120XXX4BHXXAB M12 - DCC120XXX4BHXXAC M13 - DCC120XXX4BXXBAB M14 - DCC120XXX4BXXBAC M15 - DCC120XXX4BXXXAA M16 - DCC120XXX4BXXXAB M17 - DCC120XXX4BXXXAC M18 - DCC120XXX7BBXXAB M19 - DCC120XXX7BXXXAA M20 - DCC120XXX7BXXXAB M21 - DCC1200163BHXAAB M22 - DCC1200163BJXBAA M23 - DCC1200163BJXBAB M24 - DCC1200164BAXAAB M25 - DCC1200164BAXAAC M26 - DCC1200303BHXAAB M27 - DCC1200303BHXAAB M28 - DCC1200304BHXBAA M29 - DCC1200304BHXBAB M30 - DCC1200304BHXJAC
11	0201L00200	COND COIL ASSY, 5MM C1 (M1, M3, M5, M7, M8, M9, M10, M12, M14, M17, M18, M20, M21, M23, M25, M27, M29, M30)	
171	0121L00168	BLOWER TRANSITION, RH END	
191	0121L00092	BLOWER TRANSITION, FRONT	
201	0121L01399	BLOWER DECK	
211	0121L00169	BLOWER TRANSITION, LH END	
221	0121L00094	BLOWER TRANSITION, BACK	
241	ZP51K5ETF5130	COMPRESSOR 51000, 208/230/60/3 (M1, M2, M3, M4, M5, M21, M22, M23, M26, M27)	
241	ZP51K5ETFD130	COMPRESSOR 51000, 460/60/3 (M6, M7, M8, M9, M10, M11, M12, M13, M14, M15, M16, M17, M24, M25, M28, M29, M30)	
241	ZP51K5ETFE130	COMPRESSOR 51000, 575/60/3 (M18, M19, M20)	
251	0159L00004	COMPRESSOR SCROLL HARNESS	
261	M0221641	TF SHOULDER SCREW (QTY 8)	
271	B1339533	COMPRESSOR GROMMET (QTY 8)	
281	0121L00408	COMPRESSOR MOUNTING PLATE (QTY 2)	
291	0159L00005	COMPRESSOR SCROLL HARNESS	
301	0201L00136	COND COIL ASSY, 5MM C2 (M2, M4, M6, M11, M13, M15, M16, M19, M22, M24, M26, M28)	
301	0201L00201	COND COIL ASSY, 5MM C2 (M1, M3, M5, M7, M8, M9, M10, M12, M14, M17, M18, M20, M21, M23, M25, M27, M29, M30)	

Belt Drive Blower



Belt Drive Blower

Ref. Part No:	Part No:	Description:	Ref. Part No:	Part No:	Description:
---------------	----------	--------------	---------------	----------	--------------

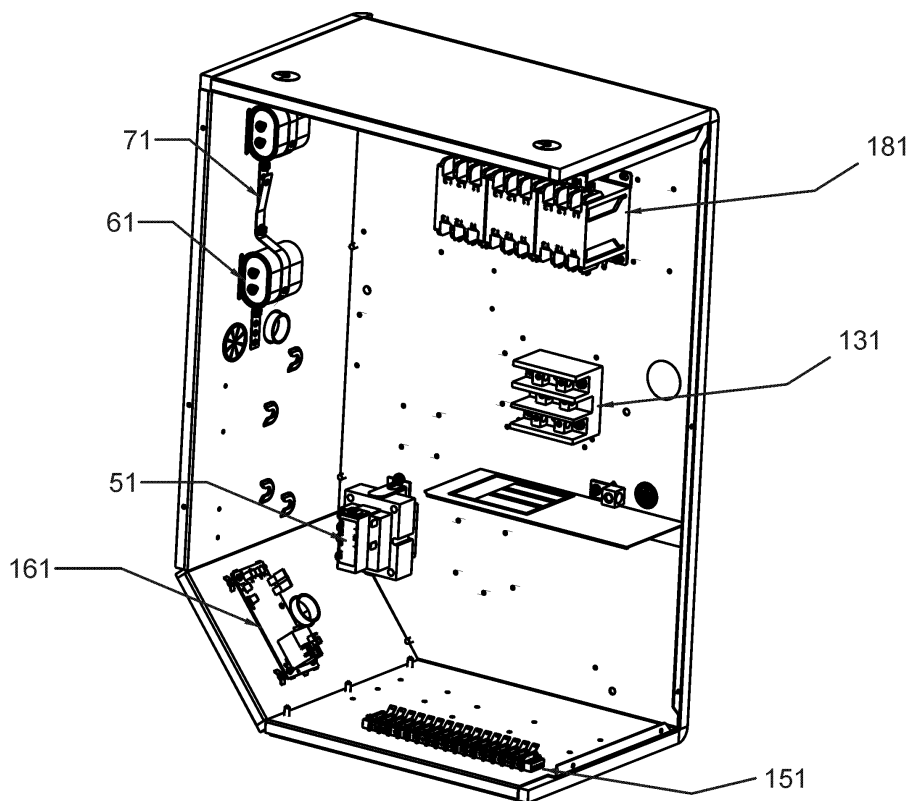
Image 1:

21	0163L00011	FIXED SHEAVE AK74			
31	B1398604	STEEL KEY (000158812) 2.0"			
41	0164L00000	NOTCHED FAN BELT AX51			
51	0163L00012	VARIABLE PITCH SHEAVE VL40			
61	0270L00015	MOTOR BASE ASSY			
71	0163M00045	BOLT 1/4-20 X 4"			
81	3225000F	BELT TIGHTENER ANGLE			
91	B1446707	SCREW 5/16-18 X 1" (QTY 4)			
101	B1393726	ELECT. CONNECTING BUSHING			
111	B3240006	BELT DRIVE MOTOR 2 HP (M1, M2, M3, M4, M5, M6, M7, M8, M9, M10, M11, M12, M13, M14, M15, M16, M17, M21, M22, M23, M24, M25, M26, M27, M28, M29, M30)			
111	0131L00005	BELT DRIVE MOTOR 2 HP 575 V (M18, M19, M20)			
121	B1393738	BOLT 1/4-20 X 3/4" (QTY 4)			
131	03-78497	BLOWER WHEEL			
141	04-11526	BLOWER SHAFT			
NS	04-02196	BEARING & FRAME ASSY			
NS	0259L00008	MOTOR HARNESS-BELT DRIVE			

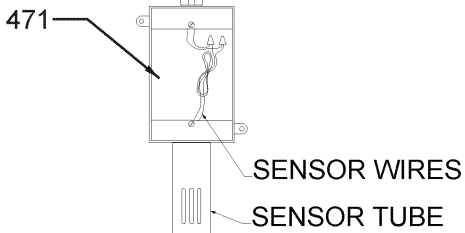
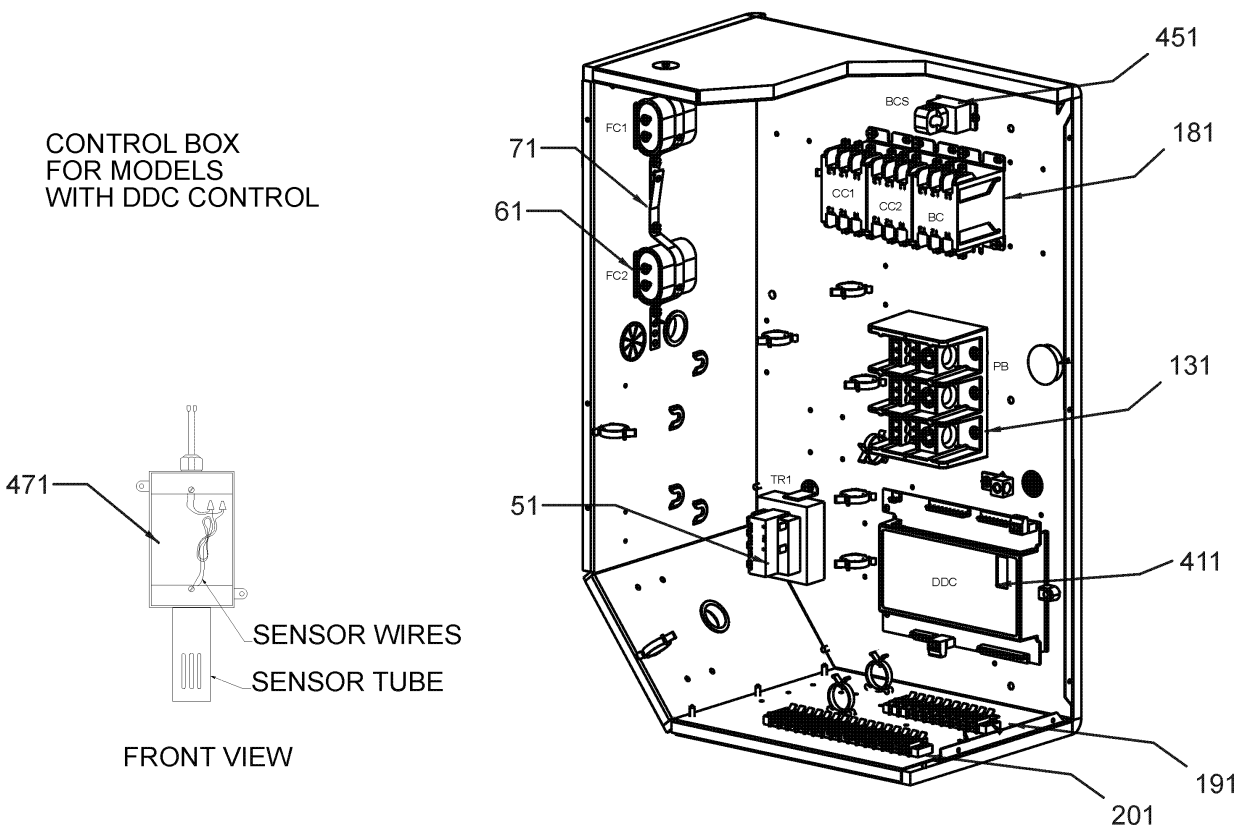
Expanded Model Nomenclature

M1 - DCC120XXX3BBXXAB
M2 - DCC120XXX3BHXXAA
M3 - DCC120XXX3BHXXAB
M4 - DCC120XXX3BXXXAA
M5 - DCC120XXX3BXXXAB
M6 - DCC120XXX4BAXAAB
M7 - DCC120XXX4BAXAAC
M8 - DCC120XXX4BBXXAC
M9 - DCC120XXX4BHXAAC
M10 - DCC120XXX4BHXFAC
M11 - DCC120XXX4BHXXAB
M12 - DCC120XXX4BHXXAC
M13 - DCC120XXX4BXXBAB
M14 - DCC120XXX4BXXBAC
M15 - DCC120XXX4BXXXAA
M16 - DCC120XXX4BXXXAB
M17 - DCC120XXX4BXXXAC
M18 - DCC120XXX7BBXXAB
M19 - DCC120XXX7BXXXAA
M20 - DCC120XXX7BXXXAB
M21 - DCC1200163BHXAAB
M22 - DCC1200163BJXBAA
M23 - DCC1200163BJXBAB
M24 - DCC1200164BAXAAB
M25 - DCC1200164BAXAAC
M26 - DCC1200303BHXAAB
M27 - DCC1200303BHXAAB
M28 - DCC1200304BHXBAA
M29 - DCC1200304BHXBAB
M30 - DCC1200304BHXJAC

Control Box Assy



CONTROL BOX
FOR MODELS
WITH DDC CONTROL



FRONT VIEW

Control Box Assy

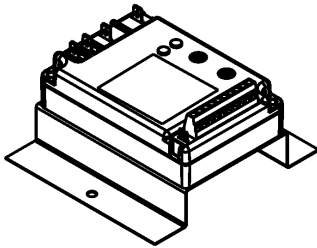
Ref. Part No: No:	Description:	Ref. Part No: No:	Description:
Image 1:		Expanded Model Nomenclature	
51	0130M00144 TRANSFORMER (M1, M2, M3, M4, M5, M21, M22, M23, M26, M27)	M1 - DCC120XXX3BBXXAB	
51	0130M00145 TRANSFORMER 480V to 24V, 75VA (M6, M7, M8, M9, M10, M11, M12, M13, M14, M15, M16, M17, M24, M25, M28, M29, M30)	M2 - DCC120XXX3BHXXAA	
51	0130M00148 TRANSFORMER 575V to 24V, 75VA (M18, M19, M20)	M3 - DCC120XXX3BHXXAB	
61	CAP100000370LA CAPACITOR 10/370V (M1, M2, M3, M4, M5, M6, M7, M8, M9, M10, M11, M12, M13, M14, M16, M17, M21, M22, M23, M24, M25, M26, M27, M30)	M4 - DCC120XXX3BXXXAA	
61	CAP050000370LA CAPACITOR 5/370V (M15, M19, M28, M29)	M5 - DCC120XXX3BXXXAB	
61	CAP050000440LA CAPACITOR 5/440V (M18, M20)	M6 - DCC120XXX4BAXAAB	
71	20520901 CAPACITOR STRAP (QTY 2)	M7 - DCC120XXX4BAXAAC	
131	0130M00042 BLOCK, POWER	M8 - DCC120XXX4BBXXAC	
151	0130M00038 TERMINAL BOARD	M9 - DCC120XXX4BHXAAC	
161	PCBFM103 ELECTRONIC BLOWER TIME DELAY	M10 - DCC120XXX4BHXFAC	
181	CONT3P025024V CONTACTOR 25 AMP, 3P, 24V (QTY 3)	M11 - DCC120XXX4BHXXAB	
191	0130M00274 TERMINAL BOARD (M1, M8, M18)	M12 - DCC120XXX4BHXXAC	
201	0130M00275 TERMINAL BOARD (M1, M8, M18)	M13 - DCC120XXX4BXXBAB	
411	PCBCG100 DDC Controller (M1, M8, M18)	M14 - DCC120XXX4BXXBAC	
451	0259L00368 CURRENT SWITCH WITH TERMS (M1, M8, M18)	M15 - DCC120XXX4BXXXAA	
471	0130L00108 OD Air Temp Sensor (M1, M8, M18)	M16 - DCC120XXX4BXXXAB	
NS	0259L00376 ANALOG INPUT, DDC (M1, M8, M18)	M17 - DCC120XXX4BXXXAC	
NS	0259L00386 ANALOG OUTPUT, DDC (M1, M8, M18)	M18 - DCC120XXX7BBXXAB	
NS	0130L00112 Duct Temp Sensor (M1, M8, M18)	M19 - DCC120XXX7BXXXAA	
NS	0259L00165 ECONOMIZER HARNESS	M20 - DCC120XXX7BXXXAB	
NS	0259L00401 HARN, BINARY INPUT, DDC (M1, M8, M18)	M21 - DCC1200163BHXAAB	
NS	0259L00382 HARN, CNTL PWR, DDC (M1, M8, M18)	M22 - DCC1200163BJXBAA	
NS	0259L00385 HARN, CNTL, HEAT PLUG INTERCON (M1, M8, M18)	M23 - DCC1200163BJXBAB	
NS	0259L00399 HARN, PWR XFMR CNTL (M1, M8, M18)	M24 - DCC1200164BAXAAB	
NS	0259L00408 HARN, RELAY OUTPUT, DDC (M1, M8, M18)	M25 - DCC1200164BAXAAC	
NS	0259L00032 LCM HARNESS, ELECTRIC HEAT	M26 - DCC1200303BHXAAB	
NS	0259L00146 POWER HARNESS	M27 - DCC1200303BHXAAB	
NS	0259L00148 WIRE HARNESS ASSY	M28 - DCC1200304BHXBAA	
NS	0259L00158 WIRE HARNESS ASSY	M29 - DCC1200304BHXBAB	
		M30 - DCC1200304BHXXAC	

Accessory Parts List

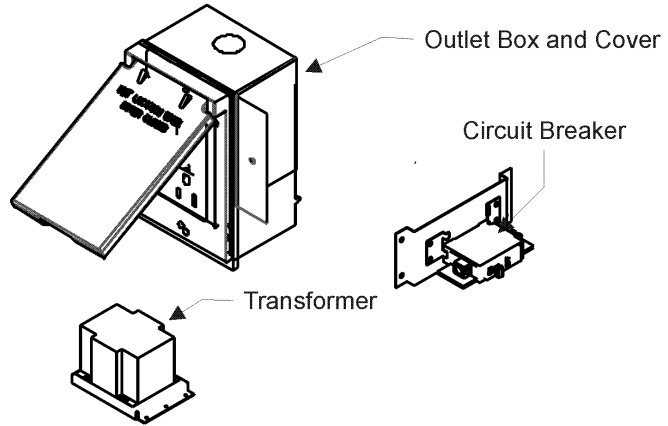
ACCESSORY PARTS LIST

NOTE: NOT ALL OPTIONS AVAILABLE FOR ALL PRODUCTS

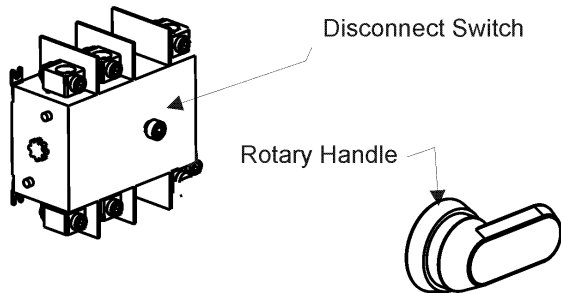
LOW AMBIENT KITS



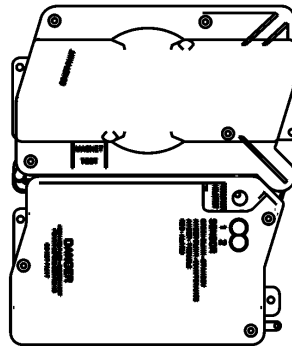
GFCI CONVENIENCE OUTLET



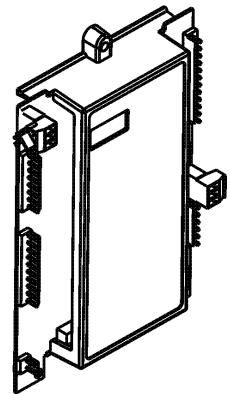
DISCONNECT MODULE (NON-FUSED)



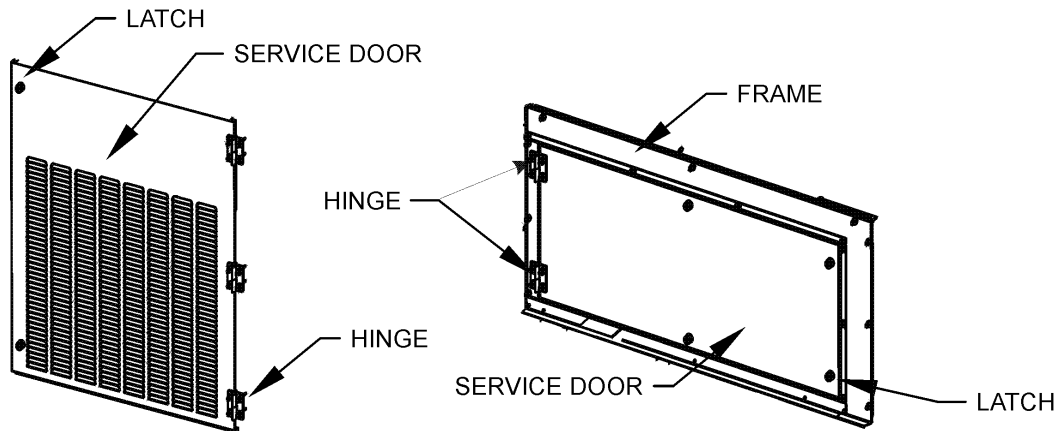
SMOKE DETECTORS



DDC CONTROL



HINGED DOOR ASSEMBLIES



Accessory Parts List

Ref. Part No: No:	Description:	Ref. Part No: No:	Description:
Image 1:		Expanded Model Nomenclature	
NS 0121L00316	BRACKET-CONV OUTLET MOUNT (M6, M7, M9, M10, M13, M14, M21, M22, M23, M24, M25, M26, M27, M28, M29, M30)	M1 - DCC120XXX3BBXXAB	
NS 0121L00768	BRACKET-SMOKE DETECTOR (M30)	M2 - DCC120XXX3BHXXAA	
NS 0130M00065	CIRCUIT BREAKER, CONVENIENCE OUTLET (M13, M14, M22, M23, M28, M29)	M3 - DCC120XXX3BHXXAB	
NS 0121L00973NG	DISCONNECT SWITCH COVER (M2, M3, M9, M10, M11, M12, M21, M22, M23, M26, M27, M28, M29, M30)	M4 - DCC120XXX3BXXXAA	
NS 0130L00012	GANG BOX-GFCI OUTLET (M6, M7, M9, M10, M13, M14, M21, M22, M23, M24, M25, M26, M27, M28, M29, M30)	M5 - DCC120XXX3BXXXAB	
NS 0130L00039	HANDLE, ROTARY (M2, M3, M9, M10, M11, M12, M21, M22, M23, M26, M27, M28, M29, M30)	M6 - DCC120XXX4BAXAAB	
NS LAKT03	LOW AMBIENT KIT (M10)	M7 - DCC120XXX4BAXAAC	
NS 0161G00012	POWER OUTLET BOX (M6, M7, M9, M10, M13, M14, M21, M22, M23, M24, M25, M26, M27, M28, M29, M30)	M8 - DCC120XXX4BBXXAC	
NS 0130L00103	RECEPTACLE-GFCI OUTLET (M6, M7, M9, M10, M13, M14, M21, M22, M23, M24, M25, M26, M27, M28, M29, M30)	M9 - DCC120XXX4BHXAAC	
NS 0130L00043	SHAFT, CUT (M2, M3)	M10 - DCC120XXX4BHXFAC	
NS 0130L00056	SHAFT, CUT (M9, M10, M11, M12, M22, M23, M26, M27)	M11 - DCC120XXX4BHXXAB	
NS 0130L00057	SHAFT, CUT (M21, M28, M29, M30)	M12 - DCC120XXX4BHXXAC	
NS 0130L00049	SHAFT, DISCONNECT (M2, M3, M9, M10, M11, M12, M21, M22, M23, M26, M27, M28, M29, M30)	M13 - DCC120XXX4BXXBAB	
NS D4120	SMOKE DETECTOR, PHOTO 4WIRE (M30)	M14 - DCC120XXX4BXXBAC	
NS D4S	SMOKE DETECTOR, SENSOR ONLY (M30)	M15 - DCC120XXX4BXXXAA	
NS 0130L00027	SWITCH-DISCONNECT 100A (M9, M10, M11, M12, M22, M23, M26, M27)	M16 - DCC120XXX4BXXXAB	
NS 0130L00033	SWITCH-DISCONNECT 200A (M2, M3)	M17 - DCC120XXX4BXXXAC	
NS 0130L00046	SWITCH-DISCONNECT 60A (M21, M28, M29, M30)	M18 - DCC120XXX7BBXXAB	
NS 0130M00061	TRANSFORMER, CONVENIENCE OUTLET (M13, M14, M22, M23, M28, M29)	M19 - DCC120XXX7BXXXAA	
		M20 - DCC120XXX7BXXXAB	
		M21 - DCC1200163BHXAAB	
		M22 - DCC1200163BJXBAA	
		M23 - DCC1200163BJXBAB	
		M24 - DCC1200164BAXAAB	
		M25 - DCC1200164BAXAAC	
		M26 - DCC1200303BHXAAB	
		M27 - DCC1200303BHXAAB	
		M28 - DCC1200304BHXBAA	
		M29 - DCC1200304BHXBAB	
		M30 - DCC1200304BHXJAC	