

Commercial 8.5 Ton 2-Speed Package Cooling Unit

DCC1020163WMXXAA
DCC1020303WXXXAA
DCC102XXX4WXXXAA



This manual is to be used by qualified technicians only.

Important Information

Index

Functional Parts List	3
Illustration and Parts	4 - 15

Views shown are for parts illustrations only, not servicing procedures

Text Codes:

AR - As Required

NA - Not Available

NS - Not Shown

00000000 - See Note

QTY - Quantity Example (QTY 3) (If Quantity not shown, Quantity = 1)

M - Model Example (M1) (If M Code not shown, then part is used on all Models)

Expanded Model Nomenclature:

Example M1 - Model#1 M2 - Model#2 M3 - Model#3

Daikin Company, L.P. is not responsible for personal injury or property damage resulting from improper service. Review all service information before beginning repairs.

Warranty service must be performed by an authorized technician, using authorized factory parts. If service is required after the warranty expires, Daikin Company, L.P. also recommends contacting an authorized technician and using authorized factory parts.

Daikin Company, L.P. reserves the right to discontinue, or change at any time, specifications or designs without notice or without incurring obligations.

For assistance within the U.S.A. contact:

Equipment Support
Daikin North America, LLC
19001 Kermier Road
Waller, Texas 77484
855-770-5678-Telephone
713-863-2382-Facsimile

For assistance outside the U.S.A. contact:

International Division
Daikin North America, LLC
19001 Kermier Road
Waller, Texas 77484
713-861-2500-Telephone
713-863-2382-Facsimile

Functional Parts

Part

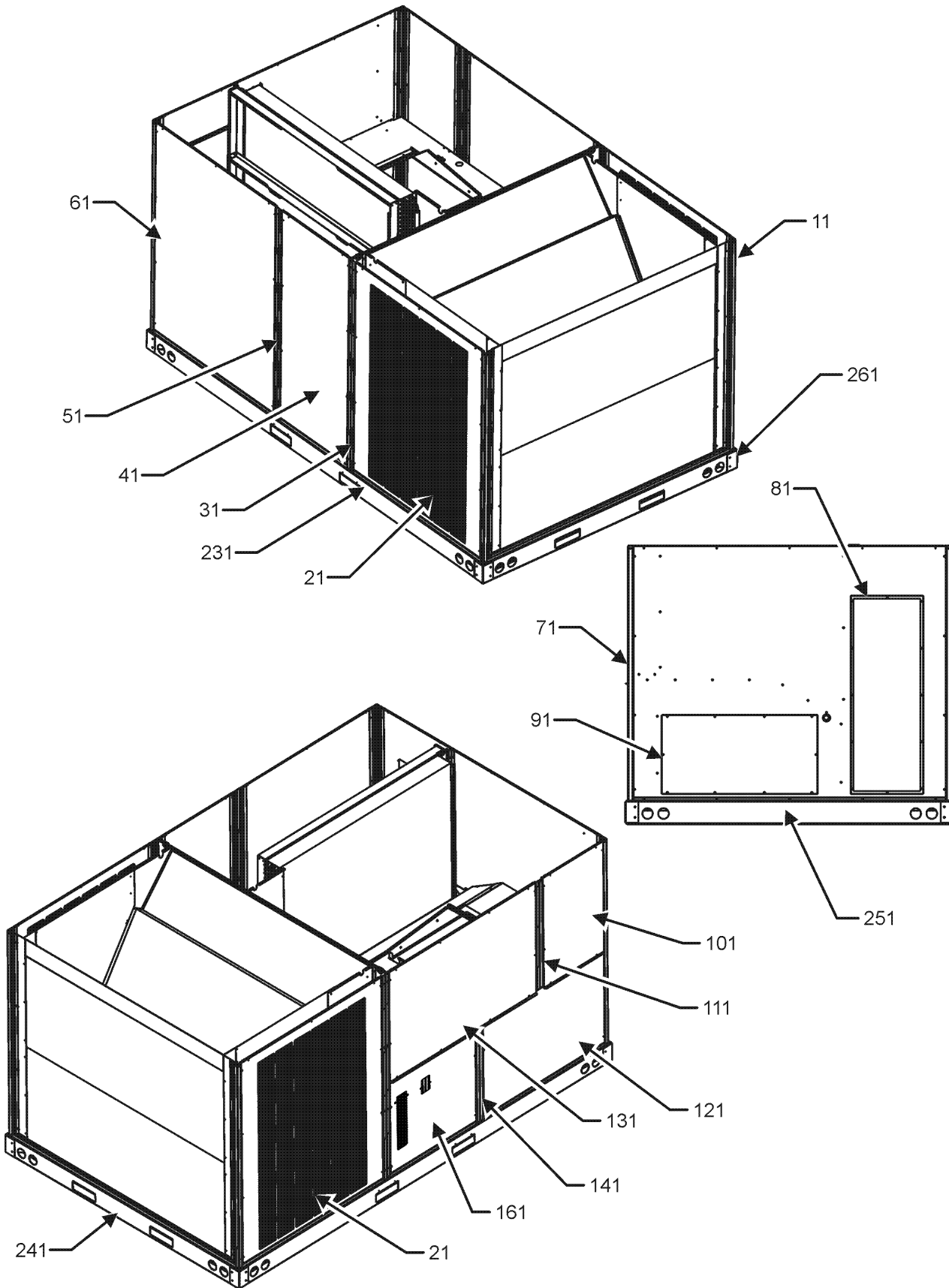
No: Description:

CAP050000370LA	CAP, 5 MFD/370V/OVAL (M2, M3)
CAP075000370LA	CAPACITOR 7.5/370V (M1)
ZP44K5ETF5130	COMPRESSOR 44000, 200/230/60/3 (M2, M3)
ZP44K5ETFD130	COMPRESSOR 44000, 460/60/3 (M1)
CONT3P025024V	CONTACTOR 25 AMP, 3P, 24V (QTY 4)
0130M00031	CUT-OUT SWITCH, HIGH PRESSURE
0130M00030	CUT-OUT SWITCH, HIGH PRESSURE
0130L00003	CUT-OUT SWITCH, LOW PRESSURE
0130L00002	CUT-OUT SWITCH, LOW PRESSURE
PCBFM103	ELECTRONIC BLOWER TIME DELAY
0131L00041	MOTOR 2 HP BELT DRIVE 208-230V (M2, M3)
0131L00043	MOTOR 2HP BELT DRIVE 460V (M1)
0131M00847	MOTOR, 1/4 HP, 1 SP, 6 PL (M2, M3)
0131M00857	MOTOR, 380/460 50/60 HZ (M1)
10135604	RELAY (QTY 2)
0130M00242	RELAY, 24V (QTY 2)
0130M00594	TRANSFORMER (M2, M3)
0130M00595	TRANSFORMER, 75VA, 480V TO 24V (M1)

Expanded Model Nomenclature

M1 - DCC102XXX4WXXXAA
M2 - DCC1020163WMXXAA
M3 - DCC1020303WXXXAA

Cabinet Assembly



Cabinet Assembly

Ref. Part No:	No:	Description:	Ref. Part No:	No:	Description:
---------------	-----	--------------	---------------	-----	--------------

Image 1:

11	0121L00065RFNG	CORNER POST (QTY 4)
21	0121L00511NG	LOUVERED SIDE PANEL (QTY 2)
31	0121L00738RFNG	ROLL FORM SIDE POST (QTY 2)
41	0121L00737NG	FILTER DOOR
51	0121L00739RFNG	FILTER DOOR POST
61	0121L00510NG	ECONOMIZER DOOR
71	0121L01364NG	DUCT PANEL (M1, M3)
71	0121L01365NG	DUCT PANEL (M2)
81	0121L00082NG	RETURN DUCT COVER
91	0121L00099NG	SUPPLY DUCT COVER
101	0121L00974NG	CONTROL DOOR
111	0121L02303RFNG	RF, PAINTED CONTROL POST
121	0121L00767NG	ELECTRIC HEAT DOOR
131	0121L00763NG	BLOWER DOOR
141	0121L00765RFNG	BURNER BOX POST
161	0121L00828NG	BURNER AREA DOOR
231	0121L01099RF	RAIL, BASE SIDES RF (QTY 2)
241	0121L00834RF	RAIL-BASE COND END
251	0121L00071RF	RAIL, BASE DUCT END
261	0121G00301	RAIL CORNER BRACKET (QTY 4)
NS	0164L00009	GASKET-RUBBER, CPOST (QTY 3)
NS	0164L00011	GASKET-RUBBER, SIDE POST (QTY 5)

Expanded Model Nomenclature

M1 - DCC102XXX4WXXXAA
M2 - DCC1020163WMXXAA
M3 - DCC1020303WXXXAA

Top Panel and Tubing Assembly

IMAGE 1

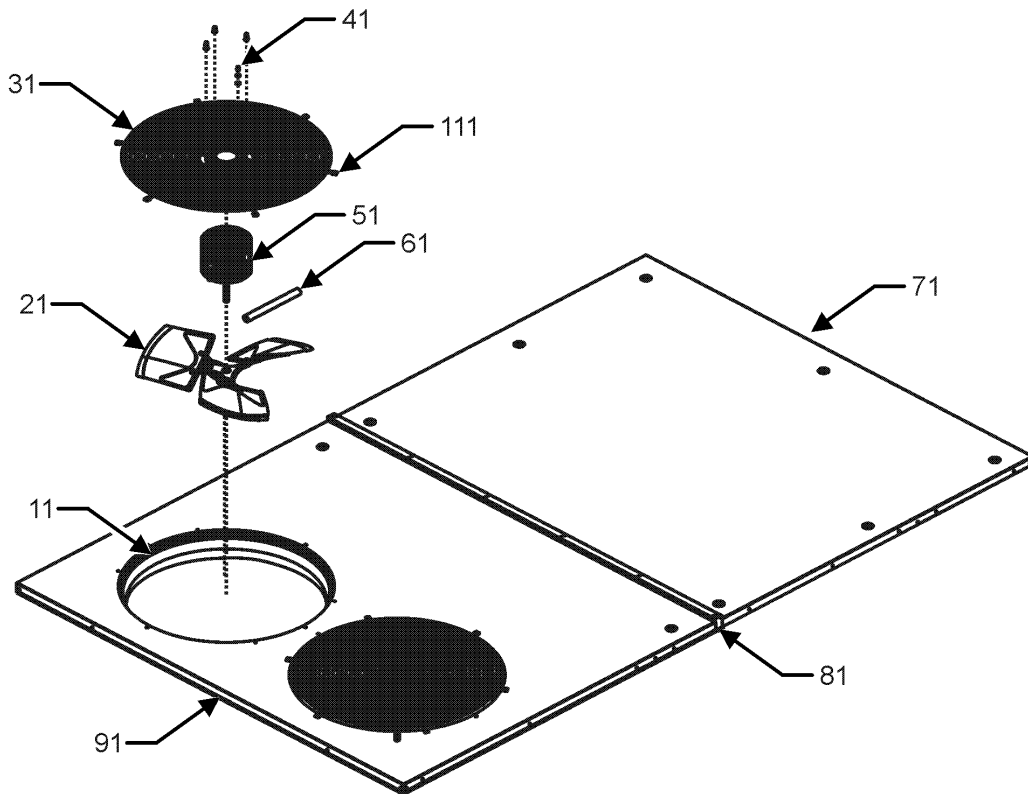
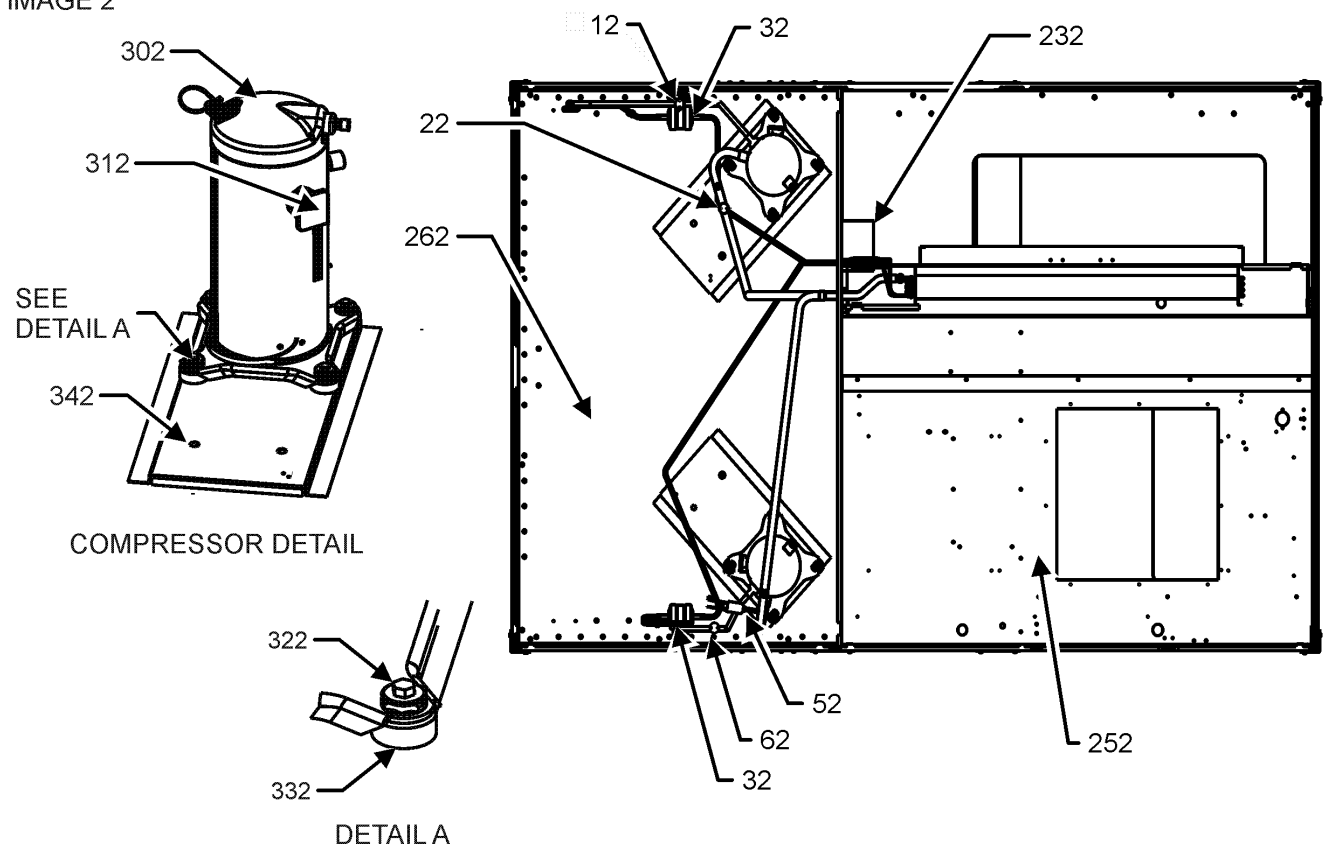


IMAGE 2



Top Panel and Tubing Assembly

Ref. Part No: No:	Description:	Ref. Part No: No:	Description:
-------------------	--------------	-------------------	--------------

Image 1:

11	0161L00000	VENTURI RING 22" (QTY 2)
21	0150G00001	FAN BLADE (QTY 2)
31	0152G00000	FAN GRILLE, RAISED (QTY 2)
41	0163M00006P	ACORN NUT 5/16 HEX BLACK (QTY 8)
51	0131M00847	MOTOR, 1/4 HP, 1 SP, 6 PL (M2, M3)
51	0131M00857	MOTOR, 380/460 50/60 HZ (M1)
71	0121L01119NG	PAINTED TOP PANEL INDOOR
81	20455902	SPLICE GASKET .50 X .25 (QTY 8)
91	0121L01118NG	PAINTED TOP PANEL OUTDOOR
111	0163M00005P	WASHER, BLACK (.50 OD .218ID) (QTY 8)
NS	0259L00511	HARNESS COND MOTOR
NS	0259L00512	HARNESS COND MOTOR
NS	0163M00004	SCREW #10X3/4", BLACK (QTY 12)

Image 2:

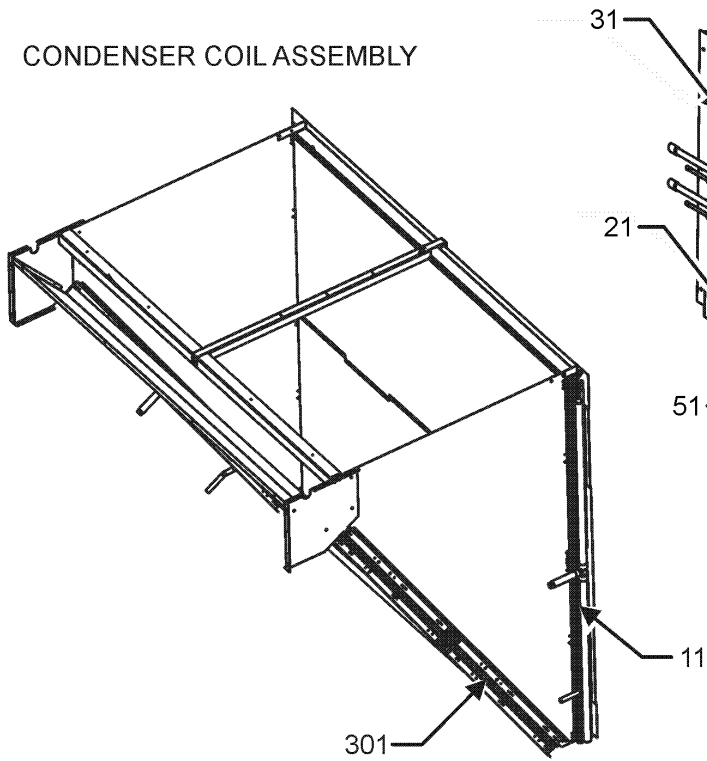
12	0130M00031	CUT-OUT SWITCH, HIGH PRESSURE
22	0130L00003	CUT-OUT SWITCH, LOW PRESSURE
32	B1219204	BI-FLOW FILTER DRIER
52	0130L00002	CUT-OUT SWITCH, LOW PRESSURE
62	0130M00030	CUT-OUT SWITCH, HIGH PRESSURE
232	0121L00359	SHIELD-EVAPORATOR DRIP
252	0121L00944	BASE PAN - INDOOR
262	0121L02129	BASE PAN - OUTDOOR
302	ZP44K5ETF5130	COMPRESSOR 44000, 200/230/60/3 (M2, M3)
302	ZP44K5ETFD130	COMPRESSOR 44000, 460/60/3 (M1)
312	0159L00066	COMPRESSOR SCROLL HARNESS
312	0159L00067	COMPRESSOR SCROLL HARNESS
322	M0221641	TF SHOULDER SCREW (QTY 8)
332	B1339533	COMPRESSOR GROMMET (QTY 8)
342	0121L02128	COMPRESSOR MOUNTING PLATE (QTY 2)
NS	B1373315	ACCESS FITTING (QTY 4)
NS	0163M00175	CAP WITH O-RING (QTY 4)

Expanded Model Nomenclature

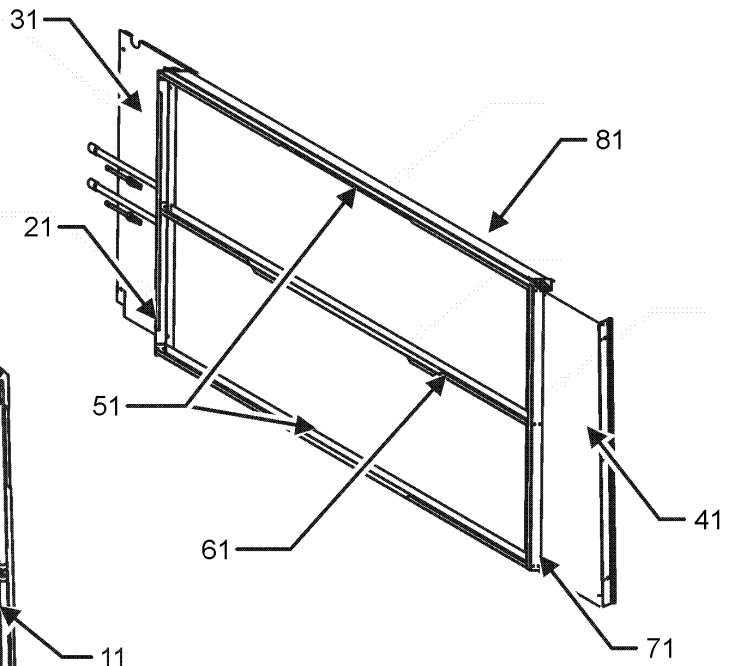
M1 - DCC102XXX4WXXXAA
M2 - DCC1020163WMXXXAA
M3 - DCC1020303WXXXAA

Condenser, Evaporator & Partition Panel

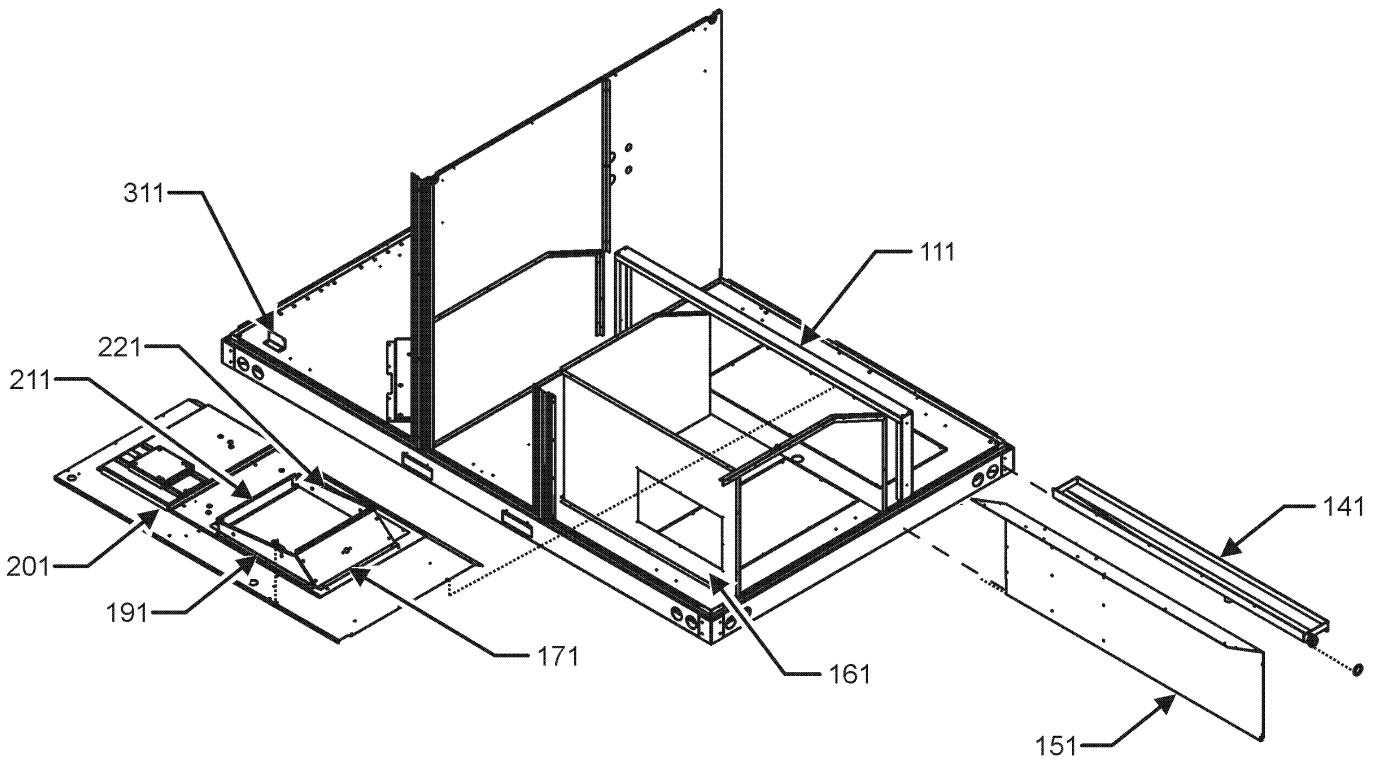
CONDENSER COIL ASSEMBLY



EVAPORATOR COIL ASSEMBLY



PARTITION ASSEMBLY



Condenser, Evaporator & Partition Panel

Ref. Part No:	Ref. Part No:	Description:	Description:
---------------	---------------	--------------	--------------

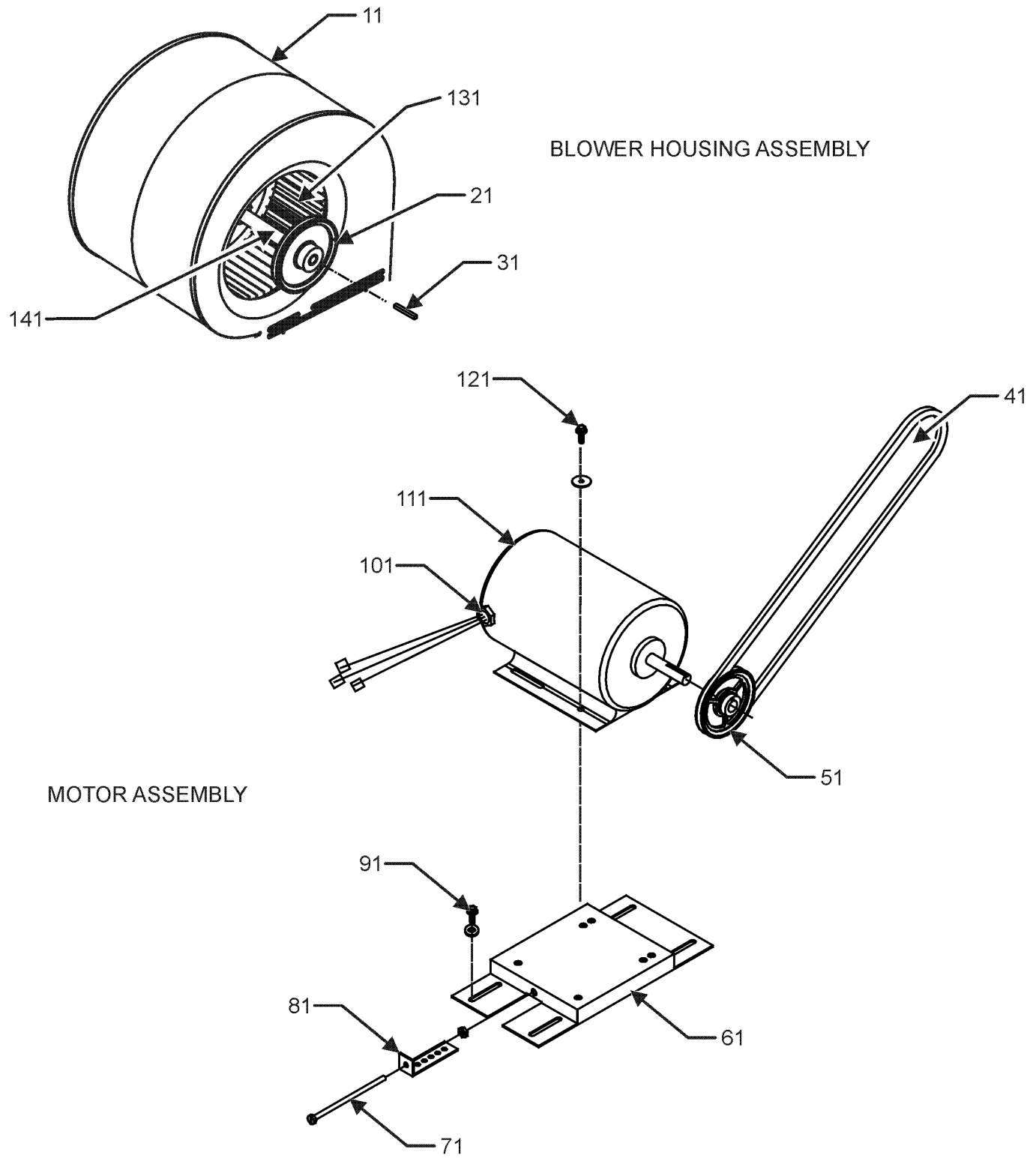
Image 1:

11	0201L00677	COND COIL ASSY, 5MM
21	0121L00357	FILTER ANGLE-VERTICAL (RETURN SIDE)
31	0121L00210	EVAP EXTENSION-RETURN SIDE
41	0121L00844	EVAP EXTENSION-HAIRPIN SIDE
51	0121L00932	FILTER ANGLE-HORIZONTAL (QTY 2)
61	0121L01255	ANGLE-FILTER CENTER
71	0121L00358	FILTER ANGLE-VERTICAL (HAIRPIN SIDE)
81	0202L00112	TUBING ASSY, EVAP COIL
111	0121L02984	SUPPORT, PAN, DRAIN
141	0161L00002	DRAIN PAN
151	0121L00374	DECK SIDE CHANNEL
161	0121L00365	ELECTRIC HEAT PANEL
171	0121L00090	BLOWER TRANSITION, RH END
191	0121L00092	BLOWER TRANSITION, FRONT
201	0121L03117	DECK, BLOWER
211	0121L00097	BLOWER TRANSITION, LH END
221	0121L00145	BLOWER TRANSITION, BACK
301	0201L00678	COND COIL ASSY, 5MM
311	0121L00369	BRACE-CONDENSER (QTY 2)
NS	0160L00174	AIR FILTER 16 X 20 X 2 (QTY 4)
NS	0121L00321	SMOKE DETECTOR COVER (QTY 2)

Expanded Model Nomenclature

M1 - DCC102XXX4WXXXAA
M2 - DCC1020163WMXXXAA
M3 - DCC1020303WXXXAA

Blower Assembly



Blower Assembly

Ref. Part No:	No:	Description:	Ref. Part No:	No:	Description:
---------------	-----	--------------	---------------	-----	--------------

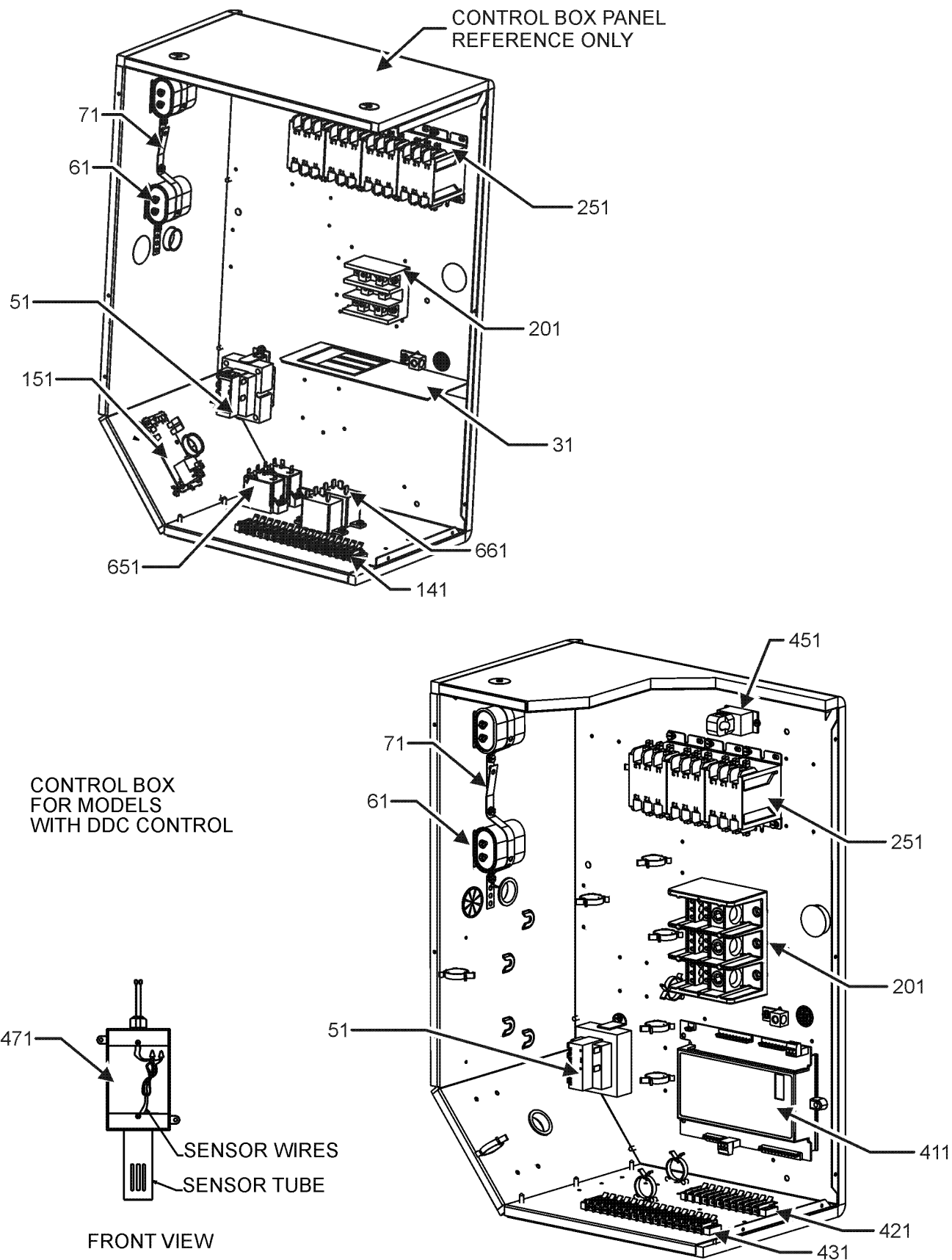
Image 1:

11	04-01526	BLOWER HOUSING
21	0163L00134	SHEAVE, FIXED AK74H
31	0163M00407	MACHINE KEY, SPECIAL
41	0164L00000	NOTCHED FAN BELT AX51
51	0163L00012	VARIABLE PITCH SHEAVE VL40
61	0270L00015	MOTOR BASE ASSY
71	0163M00045	BOLT 1/4-20 X 4"
81	3225000F	BELT TIGHTENER ANGLE
91	B1446707	SCREW 5/16-18 X 1" (QTY 4)
111	0131L00041	MOTOR 2 HP BELT DRIVE 208-230V (M2, M3)
111	0131L00043	MOTOR 2HP BELT DRIVE 460V (M1)
121	B1393738	BOLT, 1/4-20 X 3/4 (QTY 3)
131	03-78497	BLOWER WHEEL
141	04-11526	BLOWER SHAFT
571	0259L00191	HARNESS, BELT DRIVE MOTOR
NS	04-02196	BEARING & FRAME ASSY

Expanded Model Nomenclature

M1 - DCC102XXX4WXXXAA
M2 - DCC1020163WMXXXAA
M3 - DCC1020303WXXXAA

Control Panel Assembly



Control Panel Assembly

Ref. Part No:	Part No:	Description:	Ref. Part No:	Part No:	Description:
---------------	----------	--------------	---------------	----------	--------------

Image 1:

31	0121G00491	VOLTAGE BARRIER
51	0130M00594	TRANSFORMER (M2, M3)
51	0130M00595	TRANSFORMER, 75VA, 480V TO 24V (M1)
61	CAP050000370LA	CAP, 5 MFD/370V/OVAL (M2, M3)
61	CAP075000370LA	CAPACITOR 7.5/370V (M1)
71	20520901	CAPACITOR STRAP (QTY 2)
141	0130M00038	TERMINAL BOARD
151	PCBFM103	ELECTRONIC BLOWER TIME DELAY
201	0130M00042	POWER BLOCK
251	CONT3P025024V	CONTACTOR 25 AMP, 3P, 24V (QTY 4)
411	PCBCG103	PCB, CONTROL, HP, GAS, AC (M2)
421	0130M00274	TERMINAL BOARD (M2)
431	0130M00275	TERMINAL BOARD (M2)
451	0259L00368	CURRENT SWITCH WITH TERMS (M2)
471	0130L00108	OD Air Temp Sensor (M2)
651	10135604	RELAY (QTY 2)
661	0130M00242	RELAY, 24V (QTY 2)
NS	0259L00153	2 SPEED CONTROL HARNESS
NS	0259L00155	2 SPEED RELAY HARNESS
NS	0130L00112	Duct Temp Sensor (M2)
NS	0259L00165	ECONOMIZER HARNESS
NS	0259L00401	HARN, BINARY INPUT, DDC (M2)
NS	0259L00382	HARN, CNTL PWR, DDC (M2)
NS	0259L00385	HARN, CNTL, HEAT PLUG INTERCON (M2)
NS	0259L00399	HARN, PWR XFMR CNTL (M2)
NS	0259L00417	HARN, RELAY OUTPUT, DDC 2 SP (M2)
NS	0259L00191	HARNESS, BELT DRIVE MOTOR
NS	0130L00107	ROOM SENSOR (M2)
NS	0259L00502	WIRE HARNESS
NS	0259L00503	WIRE HARNESS (M2)
NS	0259L00148	WIRE HARNESS ASSY
NS	0259L00149	WIRE HARNESS ASSY
NS	0259L00152	WIRE HARNESS ASSY
NS	0259L00158	WIRE HARNESS ASSY

Expanded Model Nomenclature

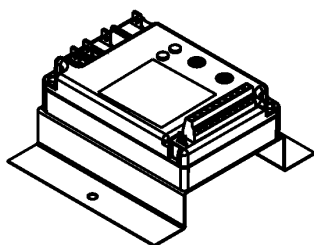
- | |
|------------------------|
| M1 - DCC102XXX4WXXXAA |
| M2 - DCC1020163WMXXXAA |
| M3 - DCC1020303WXXXAA |

Accessory Parts List

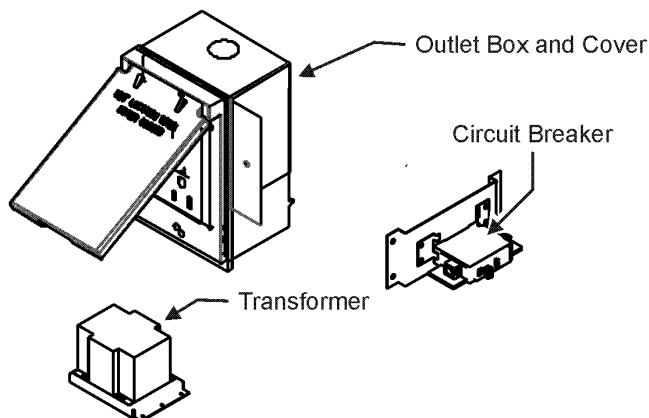
ACCESSORY PARTS LIST

NOTE: NOT ALL OPTIONS AVAILABLE FOR ALL PRODUCTS

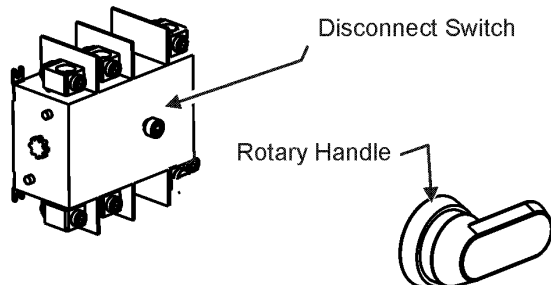
1 LOW AMBIENT KITS



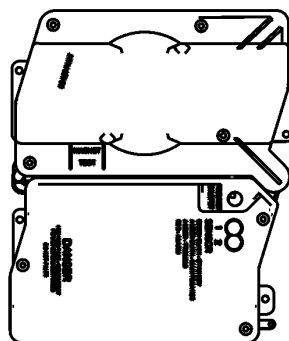
2 GFCI CONVENIENCE OUTLET



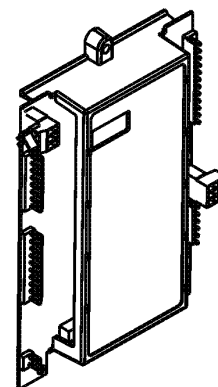
3 DISCONNECT MODULE (NON-FUSED)



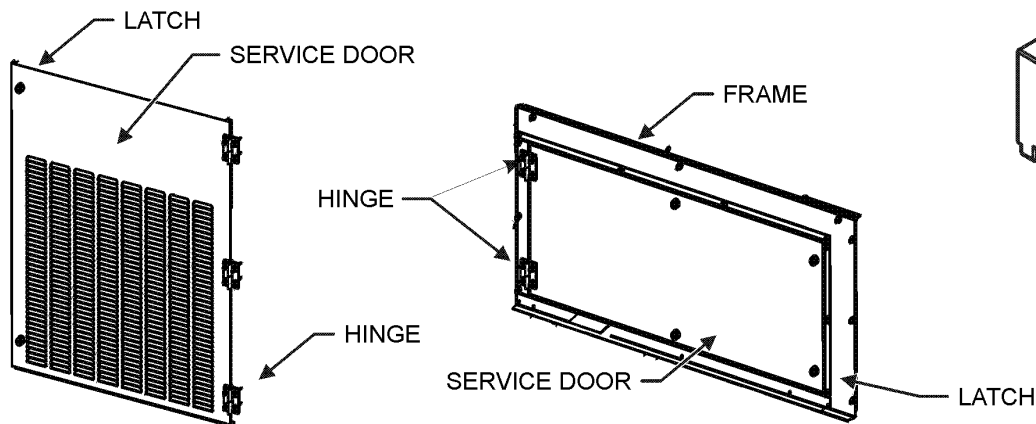
4 SMOKE DETECTORS



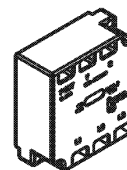
5 DDC CONTROL



6 HINGED DOOR ASSEMBLIES



7 PHASE MONITOR



Accessory Parts List

Ref. Part No:	Description:	Ref. Part No:	Description:
---------------	--------------	---------------	--------------

Image 1:

NS	EHK3-16	15 KW 208-230/3 ELECTRIC HEAT (M2)
NS	0121L00973NG	DISCONNECT SWITCH COVER (M2)
NS	0130L00039	HANDLE, ROTARY (M2)
NS	0130L00057	SHAFT, CUT (M2)
NS	0130L00049	SHAFT, DISCONNECT (M2)
NS	0130L00046	SWITCH-DISCONNECT 60A (M2)

Expanded Model Nomenclature

M1 - DCC102XXX4WXXXAA
M2 - DCC1020163WMXXAA
M3 - DCC1020303WXXXAA