

Commercial 8.5 Ton 2-Speed Package Cooling Unit

DCC1020163VHDBAA
DCC1020164VWXAAA
DCC1020304VFXEAA
DCC102XXX3VAXXAA
DCC102XXX3VHXAAA
DCC102XXX3VRXPAA
DCC102XXX3VXXXAA
DCC102XXX4VJXCAA
DCC102XXX4VXDLAA
DCC102XXX4VXXXAA
DCC102XXX7VXXXAA



This manual is to be used by qualified technicians only.

This manual replaces RP-D1056C.

Important Information

Index

Functional Parts List	3
Illustration and Parts	4 - 15

Views shown are for parts illustrations only, not servicing procedures

Text Codes:

AR - As Required

NA - Not Available

NS - Not Shown

00000000 - See Note

QTY - Quantity Example (QTY 3) (If Quantity not shown, Quantity = 1)

M - Model Example (M1) (If M Code not shown, then part is used on all Models)

Expanded Model Nomenclature:

Example M1 - Model#1 M2 - Model#2 M3 - Model#3

Daikin Company, L.P. is not responsible for personal injury or property damage resulting from improper service. Review all service information before beginning repairs.

Warranty service must be performed by an authorized technician, using authorized factory parts. If service is required after the warranty expires, Daikin Company, L.P. also recommends contacting an authorized technician and using authorized factory parts.

Daikin Company, L.P. reserves the right to discontinue, or change at any time, specifications or designs without notice or without incurring obligations.

For assistance within the U.S.A. contact:

Equipment Support
Daikin North America, LLC
19001 Kermier Road
Waller, Texas 77484
855-770-5678-Telephone
713-863-2382-Facsimile

For assistance outside the U.S.A. contact:

International Division
Daikin North America, LLC
19001 Kermier Road
Waller, Texas 77484
713-861-2500-Telephone
713-863-2382-Facsimile

Functional Parts

Part

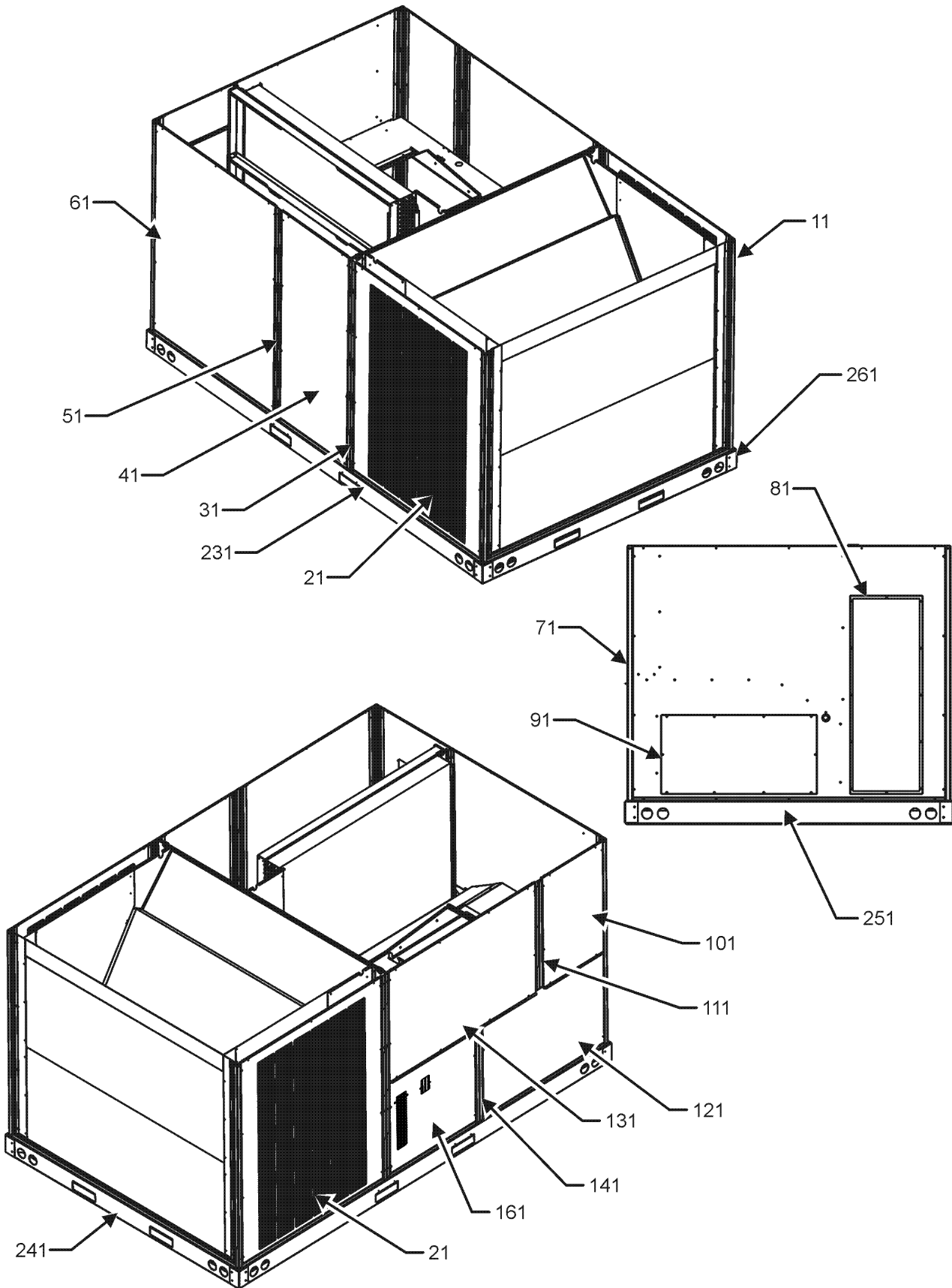
No: Description:

CAP050000370LA	CAP, 5 MFD/370V/OVAL (M1, M2, M3, M4, M9)
CAP030000440LA	CAPACITOR 3/440V (M8)
CAP075000370LA	CAPACITOR 7.5/370V (M5, M6, M7, M10, M11)
ZP44K5ETF5130	COMPRESSOR 44000, 200/230/60/3 (M1, M2, M3, M4, M9)
ZP44K5ETFD130	COMPRESSOR 44000, 460/60/3 (M5, M6, M7, M10, M11)
ZP44K5ETFE130	COMPRESSOR 44000, 575/60/3 (M8)
CONT3P025024V	CONTACTOR 25 AMP, 3P, 24V (QTY 4)
0130M00030	CUT-OUT SWITCH, HIGH PRESSURE
0130M00031	CUT-OUT SWITCH, HIGH PRESSURE
0130L00002	CUT-OUT SWITCH, LOW PRESSURE
0130L00003	CUT-OUT SWITCH, LOW PRESSURE
PCBFM103	ELECTRONIC BLOWER TIME DELAY
0131L00041	MOTOR 2 HP BELT DRIVE 208-230V (M1, M2, M3, M4, M9)
0131L00043	MOTOR 2HP BELT DRIVE 460V (M5, M6, M7, M10, M11)
0131L00042	MOTOR 2HP BELT DRIVE 575V (M8)
0131M00847	MOTOR, 1/4 HP, 1 SP, 6 PL (M1, M2, M3, M4, M9)
0131M00857	MOTOR, 380/460 50/60 HZ (M7, M10, M11)
0131L00062	MOTOR, COND, 1/4 HP, 460V (M5, M6)
0131M00431	MOTOR, COND, 575 V (M8)
10135604	RELAY (QTY 2)
0130M00242	RELAY, 24V (QTY 2)
0130M00594	TRANSFORMER (M1, M2, M3, M4, M9)
0130M00595	TRANSFORMER, 75VA, 480V TO 24V (M5, M6, M7, M10, M11)
0130M00598	TRANSFORMER, 75VA, 575V TO 24V (M8)

Expanded Model Nomenclature

M1 - DCC102XXX3VAXXAA
M2 - DCC102XXX3VHXAAA
M3 - DCC102XXX3VRXPAA
M4 - DCC102XXX3VXXXAA
M5 - DCC102XXX4VJXCAA
M6 - DCC102XXX4VXDLAA
M7 - DCC102XXX4VXXXAA
M8 - DCC102XXX7VXXXAA
M9 - DCC1020163VHDBAA
M10 - DCC1020164VWXAAA
M11 - DCC1020304VFXEAA

Cabinet Assembly



Cabinet Assembly

Ref. Part No:	Ref. Part No:	Description:	Description:
---------------	---------------	--------------	--------------

Image 1:

11	0121L00065RFNG	CORNER POST (QTY 4)
11	0121L01407RFNG	CORNER POST (M6, M9)
21	0121L00511NG	LOUVERED SIDE PANEL (QTY 2)
31	0121L00738RFNG	ROLL FORM SIDE POST (M1, M2, M3, M4, M5, M7, M8, M10, M11)
31	0121L01400RFNG	SIDE POST (M6, M9)
41	0121L00737NG	FILTER DOOR
51	0121L00739RFNG	FILTER DOOR POST (M1, M2, M3, M4, M5, M7, M8, M10, M11)
51	0121L01432RFNG	FILTER DOOR POST (M6, M9)
61	0121L00510NG	ECONOMIZER DOOR (M2, M4, M6, M7, M8, M9)
71	0121L01364NG	DUCT PANEL
71	0121L01365NG	DUCT PANEL (M5)
71	0121L01366NG	DUCT PANEL (M2, M3, M6, M9, M10)
81	0121L00082NG	RETURN DUCT COVER
91	0121L00099NG	SUPPLY DUCT COVER
101	0121L00974NG	CONTROL DOOR
111	0121L02517RFNG	RF, PAINTED CNTL POST HINGED (M6, M9)
111	0121L02303RFNG	RF, PAINTED CONTROL POST (M1, M2, M3, M4, M5, M7, M8, M10, M11)
121	0121L00767NG	ELECTRIC HEAT DOOR
131	0121L00763NG	BLOWER DOOR
141	0121L00765RFNG	BURNER BOX POST
161	0121L00828NG	BURNER AREA DOOR
231	0121L01099RF	RAIL, BASE SIDES RF (QTY 2)
241	0121L00834RF	RAIL-BASE COND END
251	0121L00071RF	RAIL, BASE DUCT END
261	0121G00301	RAIL CORNER BRACKET (QTY 4)
NS	0121L00727	ECONOMIZER COVER (M10)
NS	0121L01310	ECONOMIZER COVER (M1, M3, M5, M11)
NS	0164L00009	GASKET-RUBBER, CPOST (QTY 3)
NS	0164L00011	GASKET-RUBBER, SIDE POST (QTY 5)

Expanded Model Nomenclature

M1 - DCC102XXX3VAXXAA
M2 - DCC102XXX3VHXAAA
M3 - DCC102XXX3VRXPAA
M4 - DCC102XXX3VXXXAA
M5 - DCC102XXX4VJXCAA
M6 - DCC102XXX4VXDLAA
M7 - DCC102XXX4VXXXAA
M8 - DCC102XXX7VXXXAA
M9 - DCC1020163VHDBAA
M10 - DCC1020164VWXAAA
M11 - DCC1020304VFXEAA

Top Panel and Tubing Assembly

IMAGE 1

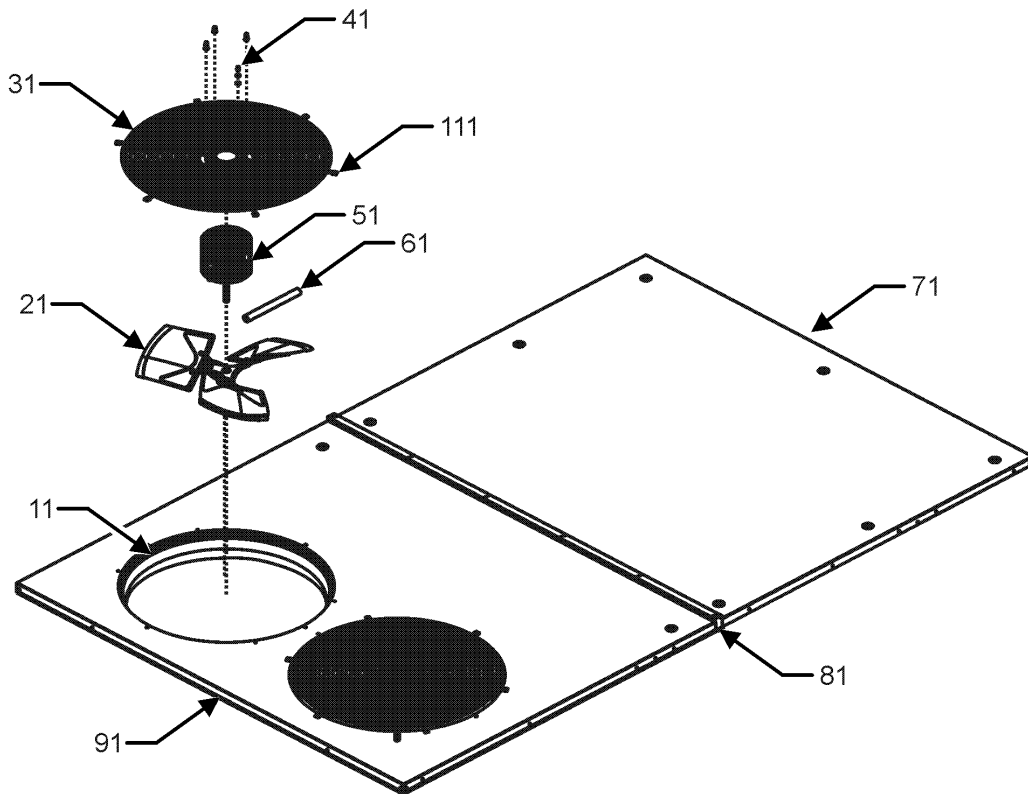
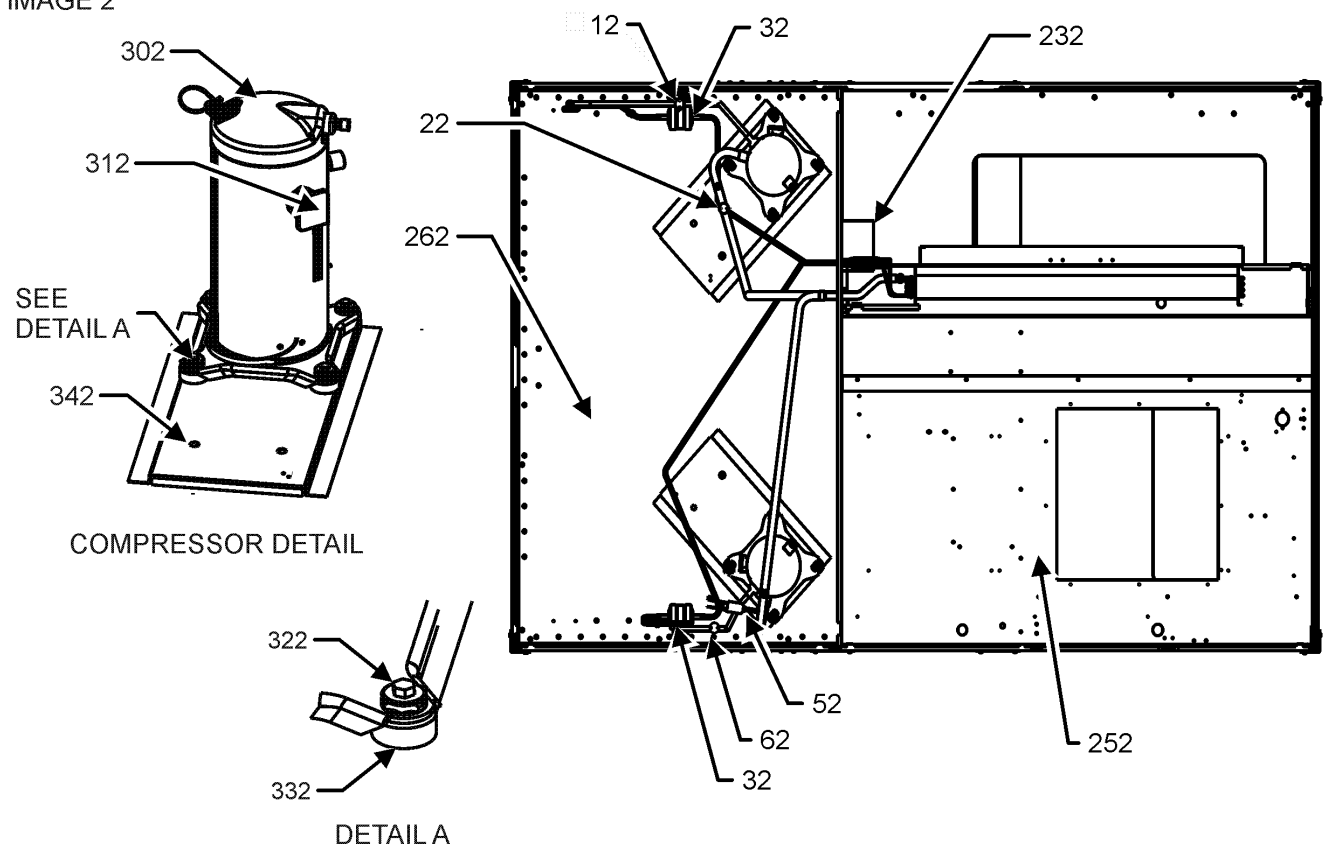


IMAGE 2



Top Panel and Tubing Assembly

Ref. Part No:	Part No:	Description:	Ref. Part No:	Part No:	Description:
---------------	----------	--------------	---------------	----------	--------------

Image 1:

11	0161L00000	VENTURI RING 22" (M1, M2, M3, M4, M9)
21	0150G00001	FAN BLADE (M5, M6, M7, M8, M10, M11)
31	0152G00000	FAN GRILLE, RAISED (M1, M2, M3, M4, M9)
41	0163M00006P	ACORN NUT 5/16 HEX BLACK (QTY 8)
51	0131M00847	MOTOR, 1/4 HP, 1 SP, 6 PL (M1, M2, M3, M4, M9)
51	0131M00857	MOTOR, 380/460 50/60 HZ (M7, M10, M11)
51	0131L00062	MOTOR, COND, 1/4 HP, 460V (M5, M6)
51	0131M00431	MOTOR, COND, 575 V (M8)
71	0121L01119NG	PAINTED TOP PANEL INDOOR
81	20455902	SPLICE GASKET .50 X .25 (QTY 8)
91	0121L01118NG	PAINTED TOP PANEL OUTDOOR
111	0163M00005P	WASHER, BLACK (.50 OD .218ID) (QTY 8)
NS	0259L00511	HARNESS COND MOTOR
NS	0259L00512	HARNESS COND MOTOR
NS	0163M00004	SCREW #10X3/4", BLACK (QTY 22)

Image 2:

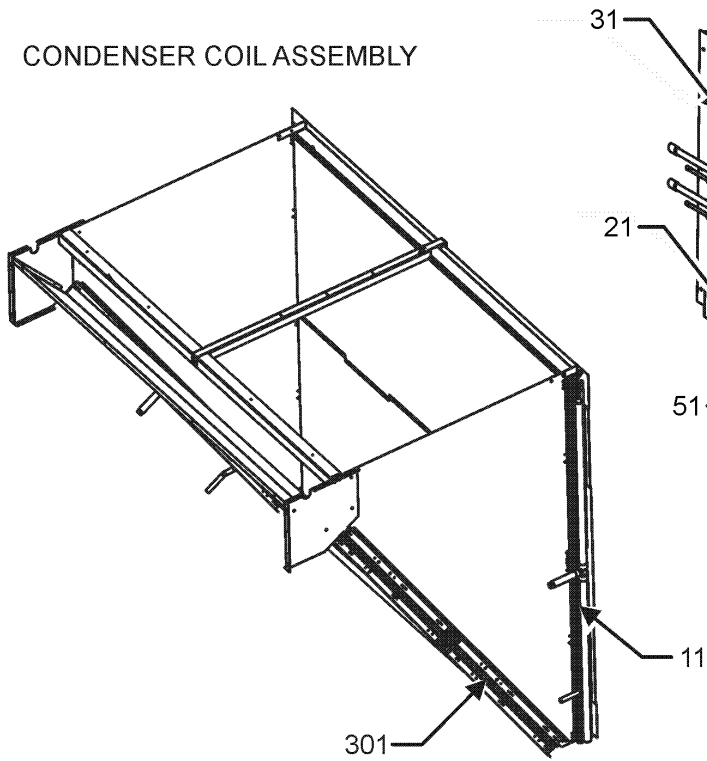
12	0130M00031	CUT-OUT SWITCH, HIGH PRESSURE
22	0130L00003	CUT-OUT SWITCH, LOW PRESSURE
32	B1219204	BI-FLOW FILTER DRIER (QTY 2)
52	0130L00002	CUT-OUT SWITCH, LOW PRESSURE
62	0130M00030	CUT-OUT SWITCH, HIGH PRESSURE
232	0121L00359	SHIELD-EVAPORATOR DRIP
252	0121L00944	BASE PAN - INDOOR
262	0121L02129	BASE PAN - OUTDOOR
302	ZP44K5ETF5130	COMPRESSOR 44000, 200/230/60/3 (M1, M2, M3, M4, M9)
302	ZP44K5ETFD130	COMPRESSOR 44000, 460/60/3 (M5, M6, M7, M10, M11)
302	ZP44K5ETFE130	COMPRESSOR 44000, 575/60/3 (M8)
312	0159L00066	COMPRESSOR SCROLL HARNESS
312	0159L00067	COMPRESSOR SCROLL HARNESS
322	M0221641	TF SHOULDER SCREW (QTY 8)
332	B1339533	COMPRESSOR GROMMET (QTY 8)
342	0121L02128	COMPRESSOR MOUNTING PLATE (QTY 2)
NS	B1373315	ACCESS FITTING (QTY 4)
NS	0163M00175	CAP WITH O-RING (QTY 4)

Expanded Model Nomenclature

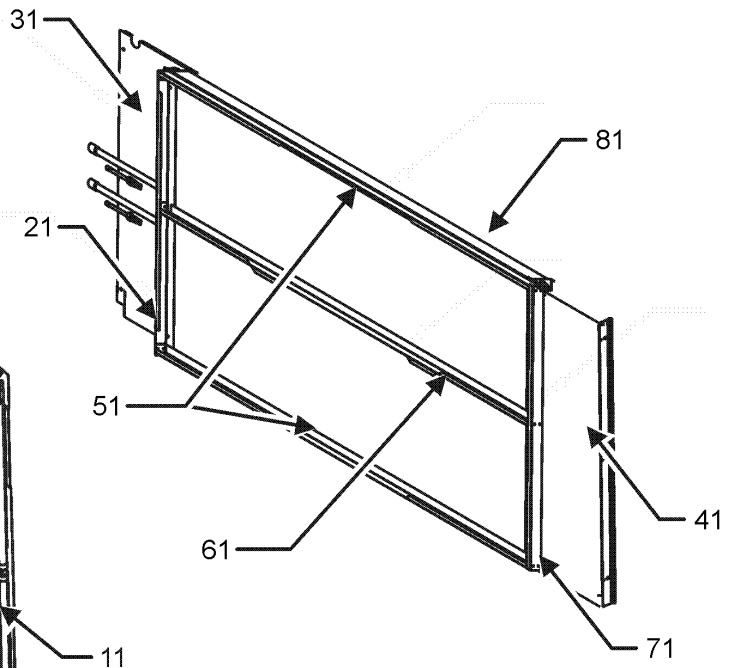
M1 - DCC102XXX3VAXXAA
M2 - DCC102XXX3VHXAAA
M3 - DCC102XXX3VRXPAA
M4 - DCC102XXX3VXXXAA
M5 - DCC102XXX4VJXCAA
M6 - DCC102XXX4VXDLAA
M7 - DCC102XXX4VXXXAA
M8 - DCC102XXX7VXXXAA
M9 - DCC1020163VHDBAA
M10 - DCC1020164VWXAAA
M11 - DCC1020304VFXEAA

Condenser, Evaporator & Partition Panel

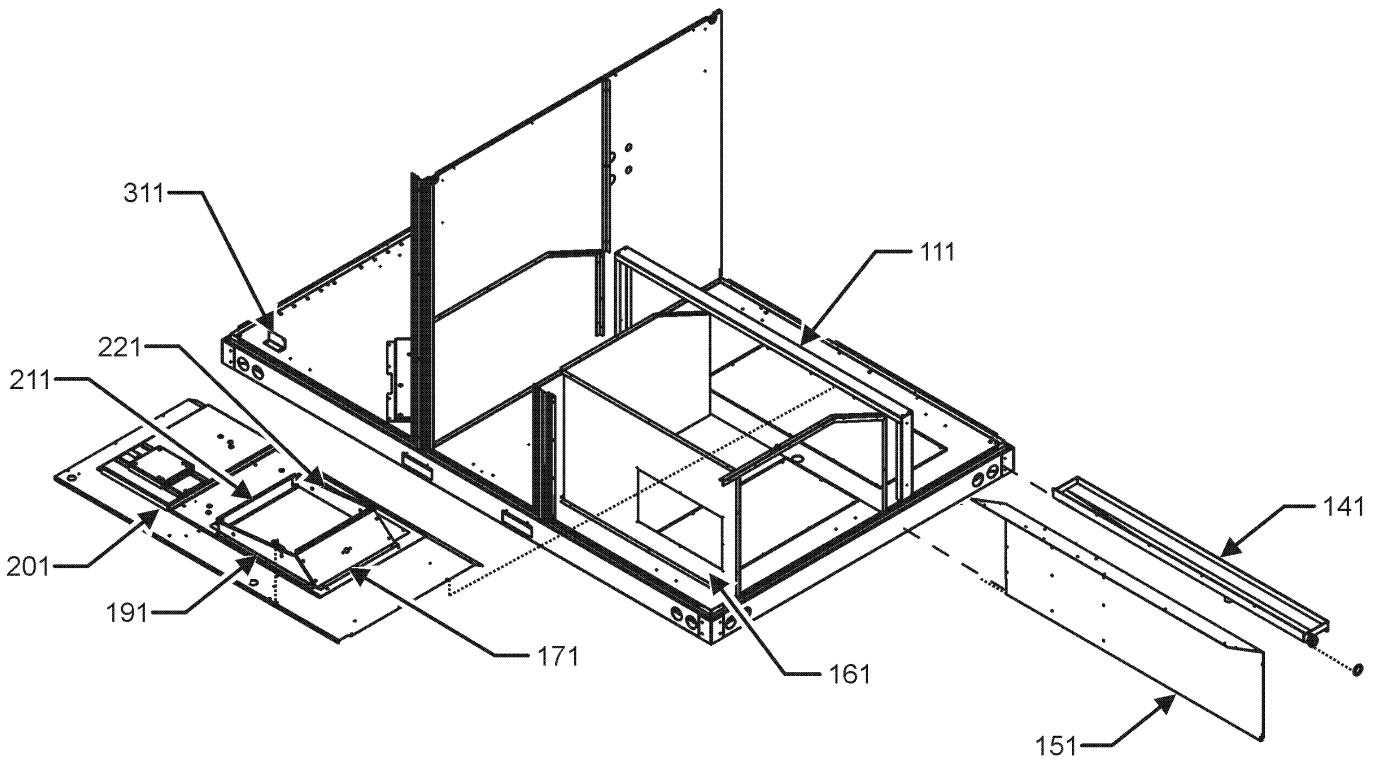
CONDENSER COIL ASSEMBLY



EVAPORATOR COIL ASSEMBLY



PARTITION ASSEMBLY



Condenser, Evaporator & Partition Panel

Ref. Part No: No:	Description:	Ref. Part No: No:	Description:
-------------------	--------------	-------------------	--------------

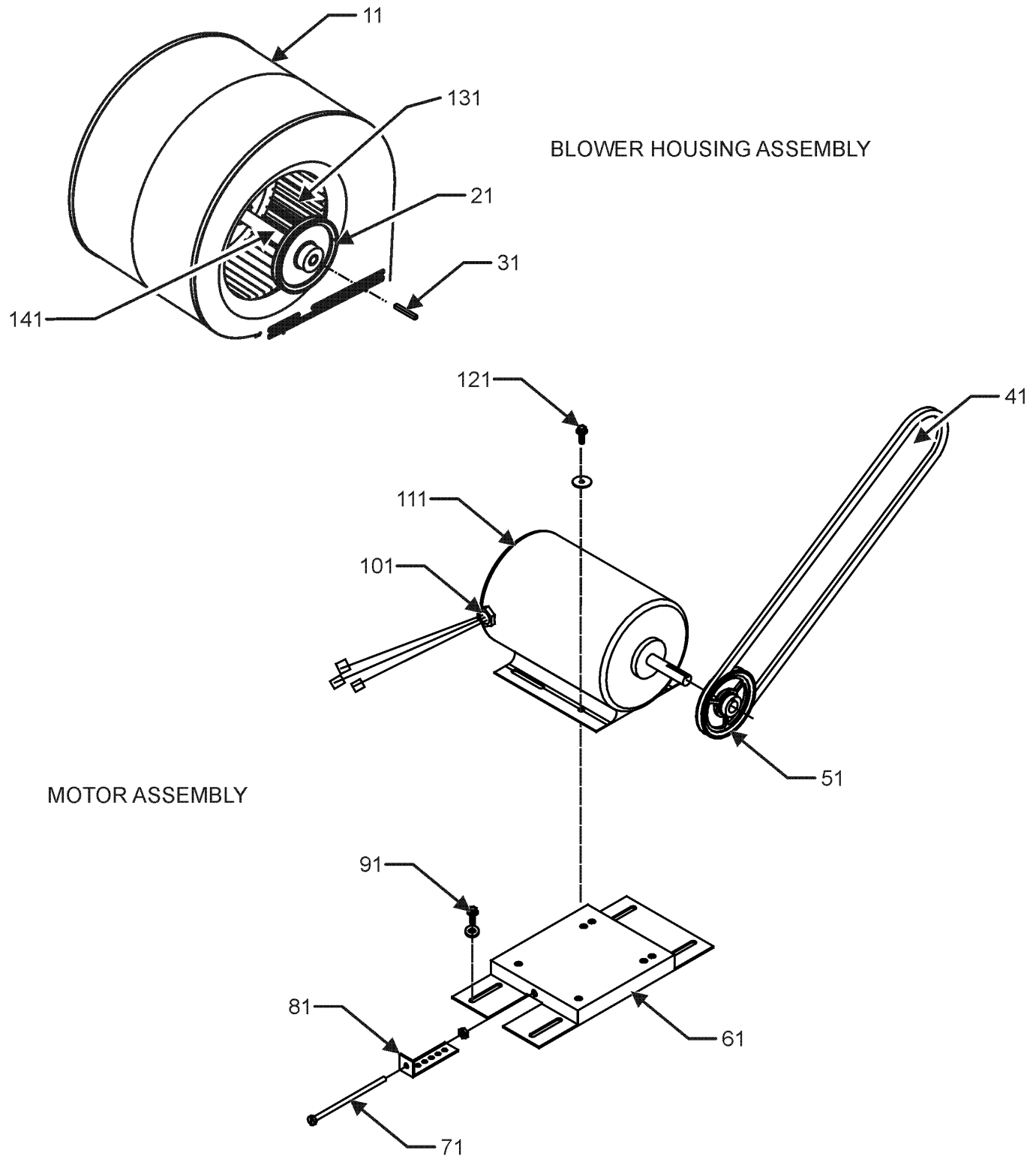
Image 1:

11	0201L00209	COND COIL ASSY, 5MM
21	0121L00357	FILTER ANGLE-VERTICAL (RETURN SIDE)
31	0121L00210	EVAP EXTENSION-RETURN SIDE
41	0121L00844	EVAP EXTENSION-HAIRPIN SIDE
51	0121L00932	FILTER ANGLE-HORIZONTAL (QTY 2)
61	0121L01255	ANGLE-FILTER CENTER
71	0121L00358	FILTER ANGLE-VERTICAL (HAIRPIN SIDE)
81	0202L00112	TUBING ASSY, EVAP COIL
111	0121L02984	SUPPORT, PAN, DRAIN
141	0161L00002	DRAIN PAN
151	0121L00374	DECK SIDE CHANNEL
161	0121L00365	ELECTRIC HEAT PANEL
171	0121L00090	BLOWER TRANSITION, RH END
191	0121L00092	BLOWER TRANSITION, FRONT
201	0121L03117	DECK, BLOWER
211	0121L00097	BLOWER TRANSITION, LH END
221	0121L00145	BLOWER TRANSITION, BACK
301	0201L00210	COND COIL ASSY, 5MM
311	0121L00513	BRACE-CONDENSER (QTY 2)
NS	0160L00174	AIR FILTER 16 X 20 X 2 (QTY 4)
NS	0121L01398	DECK, SUPPORT BLOWER (M6, M9)
NS	0121L01402	DECK, SUPPORT CONTROL (M6, M9)
NS	0121L00321	SMOKE DETECTOR COVER (QTY 2)

Expanded Model Nomenclature

M1 - DCC102XXX3VAXXAA
M2 - DCC102XXX3VHXAAA
M3 - DCC102XXX3VRXPAA
M4 - DCC102XXX3VXXXAA
M5 - DCC102XXX4VJXCAA
M6 - DCC102XXX4VXDLAA
M7 - DCC102XXX4VXXXAA
M8 - DCC102XXX7VXXXAA
M9 - DCC1020163VHDBAA
M10 - DCC1020164VWXAAA
M11 - DCC1020304VFXEAA

Blower Assembly



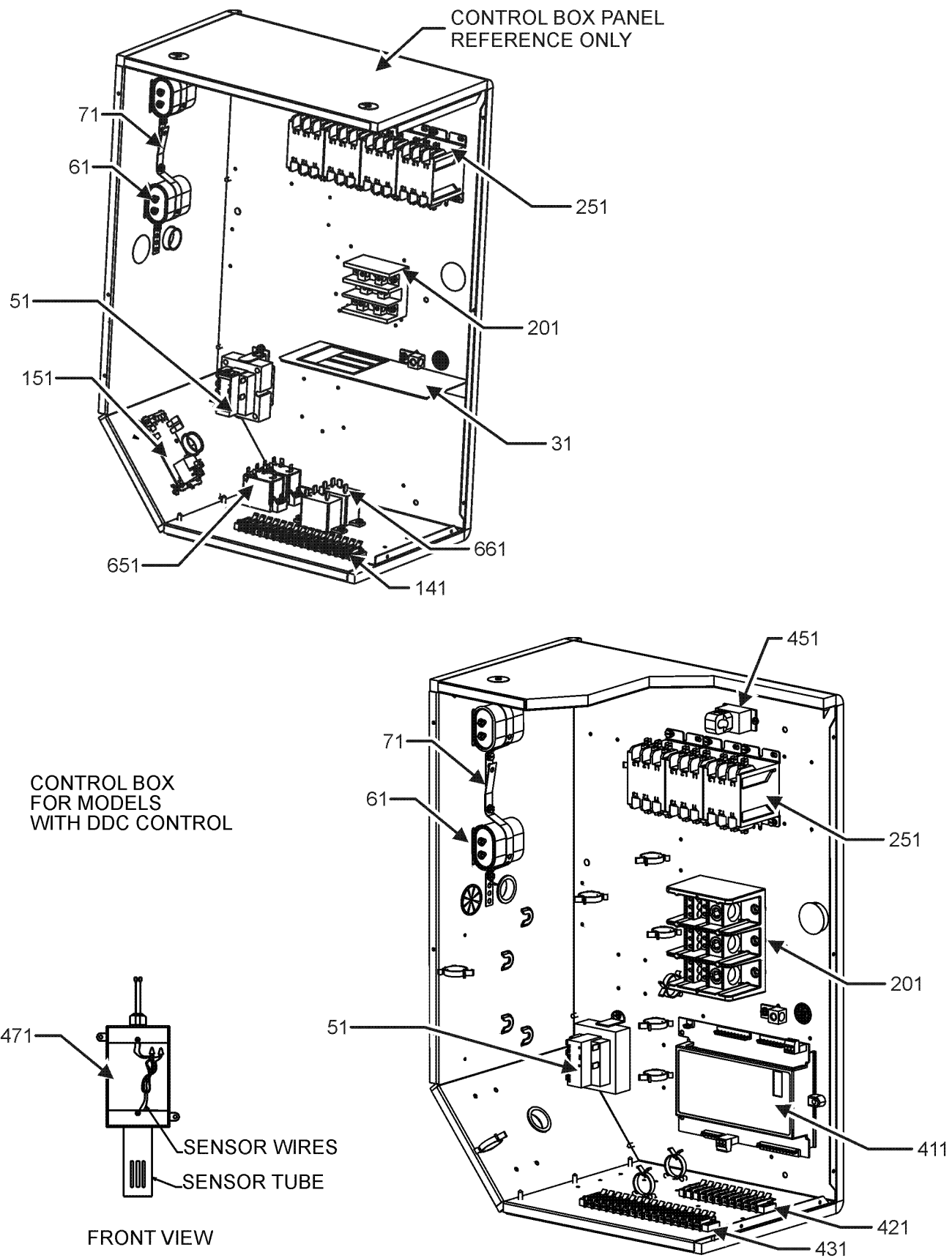
Blower Assembly

Ref. Part No:	No:	Description:	Ref. Part No:	No:	Description:
Image 1:					
11	04-01526	BLOWER HOUSING			
21	0163L00134	SHEAVE, FIXED AK74H			
31	0163M00407	MACHINE KEY, SPECIAL			
41	0164L00000	NOTCHED FAN BELT AX51			
51	0163L00012	VARIABLE PITCH SHEAVE VL40			
61	0270L00015	MOTOR BASE ASSY			
71	0163M00045	BOLT 1/4-20 X 4"			
81	3225000F	BELT TIGHTENER ANGLE			
91	B1446707	SCREW 5/16-18 X 1" (QTY 4)			
111	0131L00041	MOTOR 2 HP BELT DRIVE 208-230V (M1, M2, M3, M4, M9)			
111	0131L00043	MOTOR 2HP BELT DRIVE 460V (M5, M6, M7, M10, M11)			
111	0131L00042	MOTOR 2HP BELT DRIVE 575V (M8)			
121	B1393738	BOLT, 1/4-20 X 3/4 (QTY 4)			
131	03-78497	BLOWER WHEEL			
141	04-11526	BLOWER SHAFT			
571	0259L00191	HARNESS, BELT DRIVE MOTOR			
NS	04-02196	BEARING & FRAME ASSY			

Expanded Model Nomenclature

M1 - DCC102XXX3VAXXAA
M2 - DCC102XXX3VHXAAA
M3 - DCC102XXX3VRXPAA
M4 - DCC102XXX3VXXXAA
M5 - DCC102XXX4VJXCAA
M6 - DCC102XXX4VXDLAA
M7 - DCC102XXX4VXXXAA
M8 - DCC102XXX7VXXXAA
M9 - DCC1020163VHDBAA
M10 - DCC1020164VWXAAA
M11 - DCC1020304VFXEAA

Control Panel Assembly



Control Panel Assembly

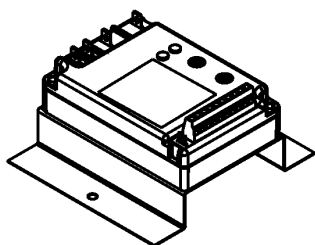
Ref. Part No:	No:	Description:	Ref. Part No:	No:	Description:
Image 1:			Expanded Model Nomenclature		
31	0121G00491	VOLTAGE BARRIER (M1, M2, M4, M5, M6, M7, M8, M9, M10)	M1 -	DCC102XXX3VAXXAA	
51	0130M00594	TRANSFORMER (M1, M2, M3, M4, M9)	M2 -	DCC102XXX3VHXAAA	
51	0130M00595	TRANSFORMER, 75VA, 480V TO 24V (M5, M6, M7, M10, M11)	M3 -	DCC102XXX3VRXPAA	
51	0130M00598	TRANSFORMER, 75VA, 575V TO 24V (M8)	M4 -	DCC102XXX3VXXXAA	
61	CAP050000370LA	CAP, 5 MFD/370V/OVAL (M1, M2, M3, M4, M9)	M5 -	DCC102XXX4VJXCAA	
61	CAP030000440LA	CAPACITOR 3/440V (M8)	M6 -	DCC102XXX4VXDLAA	
61	CAP075000370LA	CAPACITOR 7.5/370V (M5, M6, M7, M10, M11)	M7 -	DCC102XXX4VXXXAA	
71	20520901	CAPACITOR STRAP (QTY 2)	M8 -	DCC102XXX7VXXXAA	
141	0130M00038	TERMINAL BOARD	M9 -	DCC1020163VHDBAA	
151	PCBFM103	ELECTRONIC BLOWER TIME DELAY	M10 -	DCC1020164VWXAAA	
201	0130M00042	POWER BLOCK	M11 -	DCC1020304VFXEAA	
251	CONT3P025024V	CONTACTOR 25 AMP, 3P, 24V (QTY 4)			
411	PCBCG100	DDC Controller (M3, M11)			
421	0130M00274	TERMINAL BOARD (M3, M11)			
431	0130M00275	TERMINAL BOARD (M3, M11)			
451	0259L00368	CURRENT SWITCH WITH TERMS (M3, M11)			
471	0130L00108	OD Air Temp Sensor (M3, M11)			
651	10135604	RELAY (QTY 2)			
661	0130M00242	RELAY, 24V (QTY 2)			
NS	0259L00153	2 SPEED CONTROL HARNESS			
NS	0259L00155	2 SPEED RELAY HARNESS			
NS	0130L00112	Duct Temp Sensor (M3, M11)			
NS	0259L00165	ECONOMIZER HARNESS			
NS	0259L00401	HARN, BINARY INPUT, DDC (M3, M11)			
NS	0259L00382	HARN, CNTL PWR, DDC (M3, M11)			
NS	0259L00385	HARN, CNTL, HEAT PLUG INTERCON (M3, M11)			
NS	0259L00399	HARN, PWR XFMR CNTL (M3, M11)			
NS	0259L00417	HARN, RELAY OUTPUT, DDC 2 SP (M3, M11)			
NS	0259L00191	HARNESS, BELT DRIVE MOTOR			
NS	0259L00496	HARNESS, NON POW, CONV, OUT (M2, M6, M10)			
NS	0259L00092	HARNESS-SMOKE DETECTOR SENSOR (M3, M6, M11)			
NS	0130L00107	ROOM SENSOR (M3, M11)			
NS	0259L00494	WIRE HARN, SMOKE DET MED DDC (M3, M11)			
NS	0259L00502	WIRE HARNESS			
NS	0259L00503	WIRE HARNESS (M3, M11)			
NS	0259L00148	WIRE HARNESS ASSY			
NS	0259L00149	WIRE HARNESS ASSY			
NS	0259L00152	WIRE HARNESS ASSY			
NS	0259L00158	WIRE HARNESS ASSY			
NS	0259L00090	WIRE HARNESS-SMOKE DETECTOR (M6)			

Accessory Parts List

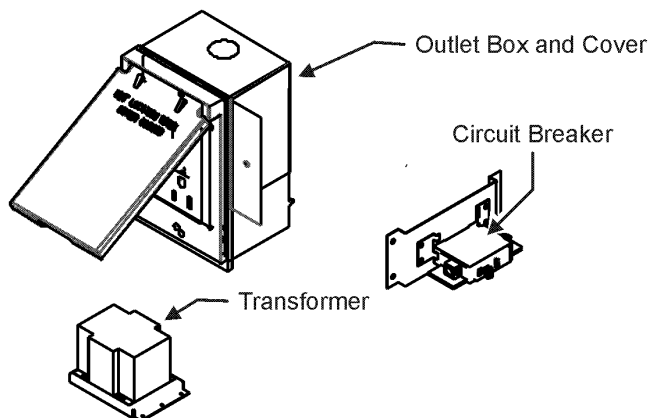
ACCESSORY PARTS LIST

NOTE: NOT ALL OPTIONS AVAILABLE FOR ALL PRODUCTS

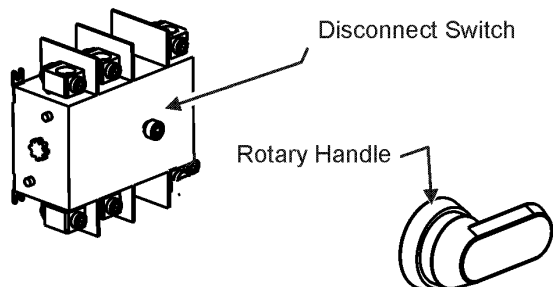
1 LOW AMBIENT KITS



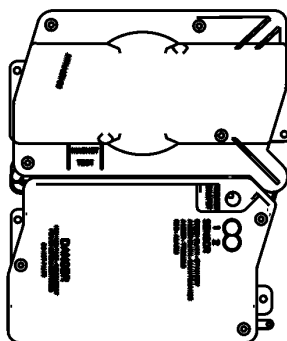
2 GFCI CONVENIENCE OUTLET



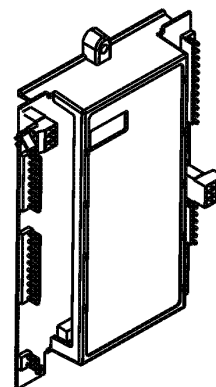
3 DISCONNECT MODULE (NON-FUSED)



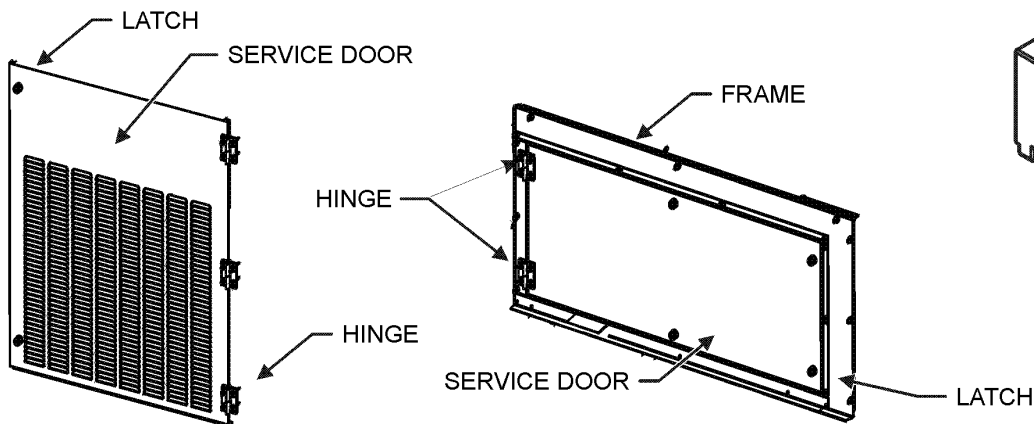
4 SMOKE DETECTORS



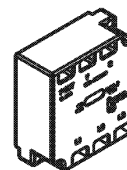
5 DDC CONTROL



6 HINGED DOOR ASSEMBLIES



7 PHASE MONITOR



Accessory Parts List

Ref. Part No:	Ref. Part No:	Description:	Description:
Image 1:			
NS EHK3-16		15 KW 208-230/3 ELECTRIC HEAT (M9)	
NS EHK4-16		15 KW 460/3 ELECTRIC HEAT (M10)	
NS DDNECNJ90150B		7.5-12.5 TON DFLOW ECON (M10)	
NS 1036610B		7.5-12.5 TON DFLOW ECONOMIZER (M1, M5)	
NS 10366D10B		7.5-12.5T DFLOW ECON, DDC (M3, M11)	
NS 0121L00316		BRACKET-CONV OUTLET MOUNT (M2, M3, M6, M9, M10)	
NS 0121L00768		BRACKET-SMOKE DETECTOR (M3, M6, M11)	
NS 0130M00065		CIRCUIT BREAKER, CONVENIENCE OUTLET (M3, M9)	
NS 0121L00973NG		DISCONNECT SWITCH COVER (M2, M3, M5, M9, M10)	
NS 0121L01397NG		DOOR FRAME, BLOWER (M6, M9)	
NS 0121L01406NG		DOOR FRAME, CONTROL (M6, M9)	
NS 0121L02481NG		DOOR, SERVICE, BACK, BLOWER (M6, M9)	
NS 0121L02480NG		DOOR, SERVICE, FRONT, BLOWER (M6, M9)	
NS EHK4-30		ELECTRIC HEATER KIT (M11)	
NS 0130L00012		GANG BOX-GFCI OUTLET (M2, M3, M6, M9, M10)	
NS 0130L00039		HANDLE, ROTARY (M2, M3, M5, M9, M10)	
NS 0163M00307		HINGE, LEFT HAND (M6, M9)	
NS 0163M00308		HINGE, RIGHT HAND (M6, M9)	
NS 0163M00322		LATCH (M6, M9)	
NS 0130M00059		LOW AMBIENT KIT (M5, M6)	
NS 0121L02220NG		PNT, DOOR FRAME FILTER (M6, M9)	
NS 0121L02223NG		PNT, SERVICE DOOR BACK FILTER (M6, M9)	
NS 0121L02218NG		PNT, SERVICE DOOR FRONT FILTER (M6, M9)	
NS 0161G00012		POWER OUTLET BOX (M2, M3, M6, M9, M10)	
NS 0130L00103		RECEPTACLE-GFCI OUTLET (M2, M3, M6, M9, M10)	
NS 0121L01404NG		SERVICE DOOR BACK, CONTROL (M6, M9)	
NS 0121L01403NG		SERVICE DOOR FRONT, CONTROL (M6, M9)	
NS 0130L00056		SHAFT, CUT (M5, M9)	
NS 0130L00057		SHAFT, CUT (M10)	
NS 0130L00049		SHAFT, DISCONNECT (M2, M3, M5, M9, M10)	
NS D4120		SMOKE DETECTOR, PHOTO 4WIRE (M3, M6, M11)	
NS D4S		SMOKE DETECTOR, SENSOR ONLY (M6)	
NS 0130L00027		SWITCH-DISCONNECT 100A (M5, M9)	
NS 0130L00033		SWITCH-DISCONNECT 200A (M2, M3)	
NS 0130L00046		SWITCH-DISCONNECT 60A (M10)	
NS 0130M00061		TRANSFORMER, CONVENIENCE OUTLET (M3, M9)	

Expanded Model Nomenclature

- | |
|------------------------|
| M1 - DCC102XXX3VAXXAA |
| M2 - DCC102XXX3VHXAAA |
| M3 - DCC102XXX3VRXPAA |
| M4 - DCC102XXX3VXXXAA |
| M5 - DCC102XXX4VJXCAA |
| M6 - DCC102XXX4VXDLAA |
| M7 - DCC102XXX4VXXXAA |
| M8 - DCC102XXX7VXXXAA |
| M9 - DCC1020163VHDBAA |
| M10 - DCC1020164VWXAAA |
| M11 - DCC1020304VFXEAA |