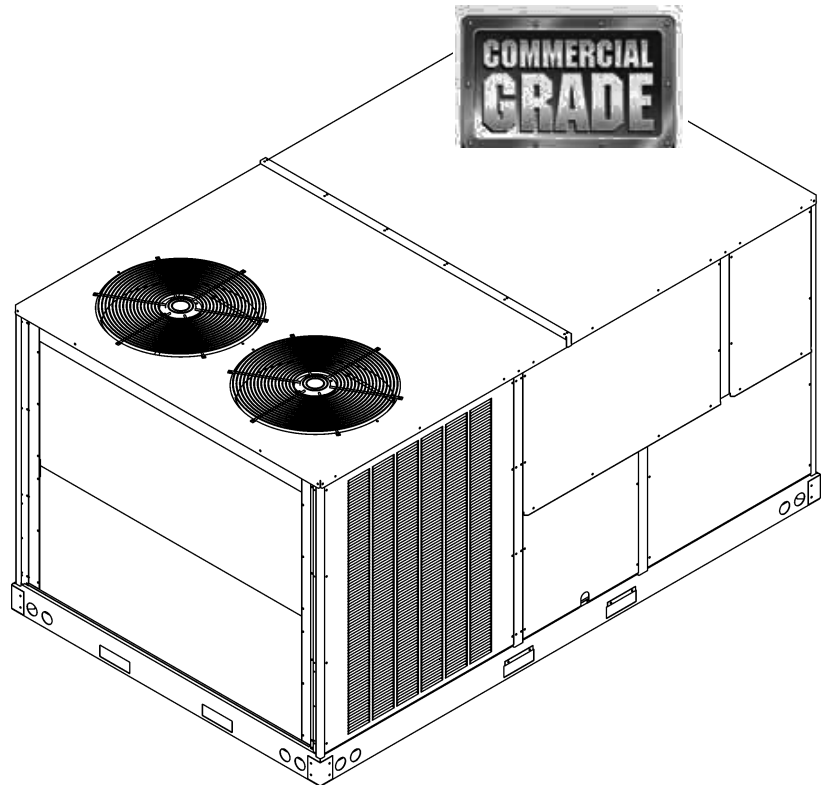


Commercial 7.5 Ton Package Cooling Unit

DCC0900163BJXNAB
DCC0900303BXXGAB
DCC0900163BHXAAB
DCC0900163BHXAAB
DCC0900163BJXAAB
DCC0900163BJXFAB
DCC0900164BHXJAC
DCC0900303BHXAAB
DCC0900303BHXXAB
DCC0900304BJXBAC
DCC0900304BXXAAB
DCC0900454BAXJAB
DCC090XXX3BAXXAB
DCC090XXX3BHXXAA
DCC090XXX3BHXXAB
DCC090XXX3BJXBAB
DCC090XXX3BXXXAA
DCC090XXX3BXXXAB
DCC090XXX4BHXJAC
DCC090XXX4BHXXAB
DCC090XXX4BHXXAC
DCC090XXX4BJXAAC
DCC090XXX4BJXBAC
DCC090XXX4BXXBAB
DCC090XXX4BXXBAC
DCC090XXX4BXXXAA
DCC090XXX4BXXXAB
DCC090XXX4BXXXAC
DCC090XXX7BXXXAA
DCC090XXX7BXXXAB



This manual is to be used by qualified technicians only.

This manual replaces RP-D1021H.

Important Information

Index

| | |
|------------------------------|--------|
| Functional Parts List | 3 |
| Illustration and Parts | 4 - 15 |

Views shown are for parts illustrations only, not servicing procedures

Text Codes:

AR - As Required

NA - Not Available

NS - Not Shown

00000000 - See Note

QTY - Quantity Example (QTY 3) (If Quantity not shown, Quantity = 1)

M - Model Example (M1) (If M Code not shown, then part is used on all Models)

Expanded Model Nomenclature:

| |
|---|
| Example M1 - Model#1 M2 - Model#2 M3 - Model#3 |
|---|

Daikin Company, L.P. is not responsible for personal injury or property damage resulting from improper service. Review all service information before beginning repairs.

Warranty service must be performed by an authorized technician, using authorized factory parts. If service is required after the warranty expires, Daikin Company, L.P. also recommends contacting an authorized technician and using authorized factory parts.

Daikin Company, L.P. reserves the right to discontinue, or change at any time, specifications or designs without notice or without incurring obligations.

For assistance within the U.S.A. contact:

Consumer Affairs Department
Daikin North America, LLC
7401 Security Way
Houston, Texas 77040
855-770-5678-Telephone
713-863-2382-Facsimile

For assistance outside the U.S.A. contact:

International Division
Daikin North America, LLC
7401 Security Way
Houston, Texas 77040
713-861-2500-Telephone
713-863-2382-Facsimile

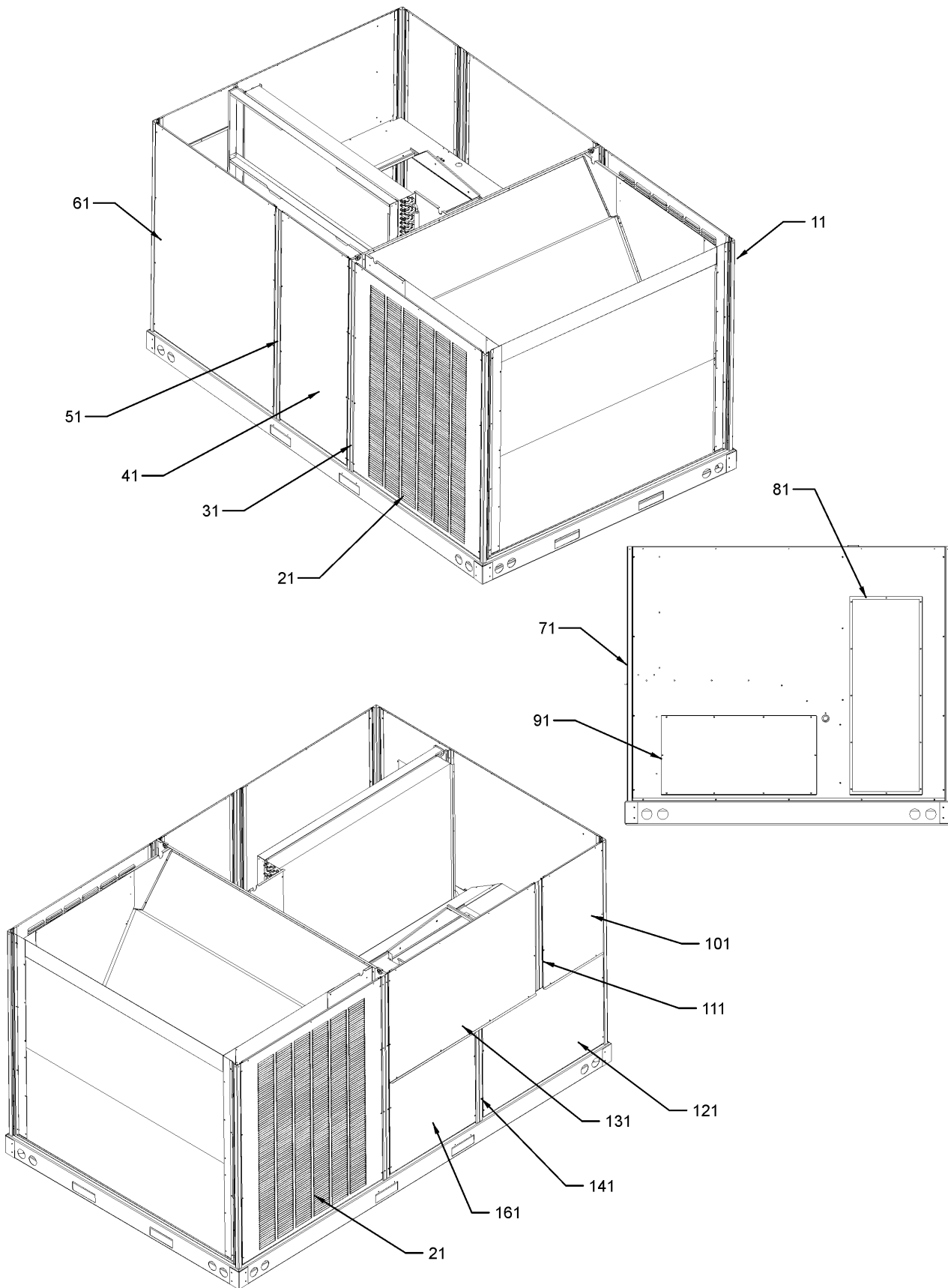
Functional Parts

Part

No: Description:

| Part No: | Description: | Expanded Model Nomenclature |
|----------------|---|---|
| B3240007 | BELT DRIVE MOTOR 1.5 HP (M1, M2, M3, M4, M5, M6, M7, M8, M9, M10, M11, M12, M13, M14, M15, M16, M19, M20, M21, M22, M23, M24, M25, M26, M27, M28, M29, M30) | M1 - DCC090XXX3BAXXAB M2 - DCC090XXX3BHXXAA M3 - DCC090XXX3BHXXAB M4 - DCC090XXX3BJXBAB M5 - DCC090XXX3BXXXAA M6 - DCC090XXX3BXXXAB M7 - DCC090XXX4BHXJAC M8 - DCC090XXX4BHXXAB M9 - DCC090XXX4BHXXAC M10 - DCC090XXX4BJXAAC M11 - DCC090XXX4BJXBAC M12 - DCC090XXX4BXXBAB M13 - DCC090XXX4BXXBAC M14 - DCC090XXX4BXXXAA M15 - DCC090XXX4BXXXAB M16 - DCC090XXX4BXXXAC M17 - DCC090XXX7BXXXAA M18 - DCC090XXX7BXXXAB M19 - DCC0900163BHXAAB M20 - DCC0900163BHXAAB M21 - DCC0900163BJXAAB M22 - DCC0900163BJXFAB M23 - DCC0900163BJXNAB M24 - DCC0900164BHXJAC M25 - DCC0900303BHXAAB M26 - DCC0900303BHXXAB M27 - DCC0900303BXXGAB M28 - DCC0900304BJXBAC M29 - DCC0900304BXXAAB M30 - DCC0900454BAXJAB |
| 0131L00004 | BELT DRIVE MOTOR 1.5 HP 575V (M17, M18) | |
| CAP030000440LA | CAPACITOR 3/440V (M18) | |
| CAP050000370LA | CAPACITOR 5/370V (M1, M2, M3, M4, M5, M6, M14, M17, M19, M20, M21, M22, M23, M25, M26, M27) | |
| CAP075000370LA | CAPACITOR 7.5/370V (M7, M8, M9, M10, M11, M12, M13, M15, M16, M24, M28, M29, M30) | |
| ZP39K5ETF5130 | COMPRESSOR 39000, 200/230/60/3 (M1, M2, M3, M4, M5, M6, M19, M20, M21, M22, M23, M25, M26, M27) | |
| ZP39K5ETFD130 | COMPRESSOR 39000, 460/60/3 (M7, M8, M9, M10, M11, M12, M13, M14, M15, M16, M24, M28, M29, M30) | |
| ZP39K5ETFE130 | COMPRESSOR 39000, 575/60/3 (M17, M18) | |
| 0131M00429 | COND MOTOR 1/4 HP, 1 SP,6 PL (M1, M2, M3, M4, M5, M6, M19, M20, M21, M22, M23, M25, M26, M27) | |
| B13400269 | COND MOTOR 380/460 50/60 CYCLE (M14) | |
| 0131M00432 | COND MOTOR 380/460/50/60 CYCLE (M7, M8, M9, M10, M11, M12, M13, M15, M16, M24, M28, M29, M30) | |
| 0131M00098 | COND MOTOR 575V (M17) | |
| 0131M00431 | COND MOTOR 575V (M18) | |
| CONT3P025024V | CONTACTOR 25 AMP, 3P, 24V (QTY 3) | |
| 0130M00030 | CUT-OUT SWITCH, HIGH PRESSURE | |
| 0130M00031 | CUT-OUT SWITCH, HIGH PRESSURE | |
| 0130L00002 | CUT-OUT SWITCH, LOW PRESSURE | |
| 0130L00003 | CUT-OUT SWITCH, LOW PRESSURE | |
| PCBFM103 | ELECTRONIC BLOWER TIME DELAY | |
| 0150G00001 | FAN BLADE (QTY 2) | |
| 0164L00000 | NOTCHED FAN BELT AX51 | |
| 0130M00038 | TERMINAL BOARD | |
| 0130M00144 | TRANSFORMER (M1, M2, M3, M4, M5, M6, M19, M20, M21, M22, M23, M25, M26, M27) | |
| 0130M00145 | TRANSFORMER 480V to 24V, 75VA (M7, M8, M9, M10, M11, M12, M13, M14, M15, M16, M24, M28, M29, M30) | |
| 0130M00148 | TRANSFORMER 575V to 24V, 75VA (M17, M18) | |

Cabinet Assy



Cabinet Assy

| Ref. Part No: No: | Description: | Ref. Part No: No: | Description: |
|-------------------|--------------|-------------------|--------------|
|-------------------|--------------|-------------------|--------------|

Image 1:

| | | |
|-----|----------------|----------------------------------|
| 11 | 0121L00065RFNG | CORNER POST (QTY 4) |
| 21 | 0121L00511NG | LOUVERED SIDE PANEL (QTY 2) |
| 31 | 0121L00738RFNG | ROLL FORM SIDE POST (QTY 2) |
| 41 | 0121L00737NG | FILTER DOOR |
| 51 | 0121L00739RFNG | FILTER DOOR POST |
| 61 | 0121L00510NG | ECONOMIZER DOOR |
| 71 | 0121L01000NG | DUCT PANEL |
| 81 | 0121L00082NG | RETURN DUCT COVER |
| 91 | 0121L00099NG | SUPPLY DUCT COVER |
| 101 | 0121L00974NG | CONTROL DOOR |
| 111 | 0121L00762RFNG | CONTROL BOX POST |
| 121 | 0121L00767NG | ELECTRIC HEAT DOOR |
| 131 | 0121L00763NG | BLOWER DOOR |
| 141 | 0121L00765RFNG | BURNER BOX POST |
| 161 | 0121L00828NG | BURNER AREA DOOR |
| NS | 0164L00009 | GASKET-RUBBER, CPOST (QTY 3) |
| NS | 0164L00011 | GASKET-RUBBER, SIDE POST (QTY 4) |

Expanded Model Nomenclature

- M1 - DCC090XXX3BAXXAB
- M2 - DCC090XXX3BHXXAA
- M3 - DCC090XXX3BHXXAB
- M4 - DCC090XXX3BJXBAB
- M5 - DCC090XXX3BXXXAA
- M6 - DCC090XXX3BXXXAB
- M7 - DCC090XXX4BHXJAC
- M8 - DCC090XXX4BHXXAB
- M9 - DCC090XXX4BHXXAC
- M10 - DCC090XXX4BJXAAC
- M11 - DCC090XXX4BJXBAC
- M12 - DCC090XXX4BXXBAB
- M13 - DCC090XXX4BXXBAC
- M14 - DCC090XXX4BXXXAA
- M15 - DCC090XXX4BXXXAB
- M16 - DCC090XXX4BXXXAC
- M17 - DCC090XXX7BXXXAA
- M18 - DCC090XXX7BXXXAB
- M19 - DCC0900163BHAAA
- M20 - DCC0900163BHXAAB
- M21 - DCC0900163BJXAAB
- M22 - DCC0900163BJXFAB
- M23 - DCC0900163BJXNAB
- M24 - DCC0900164BHXJAC
- M25 - DCC0900303BHXAAB
- M26 - DCC0900303BHXXAB
- M27 - DCC0900303BXXGAB
- M28 - DCC0900304BJXBAC
- M29 - DCC0900304BXXAAB
- M30 - DCC0900454BAXJAB

Top Panel / Tubing Assy

Image 1

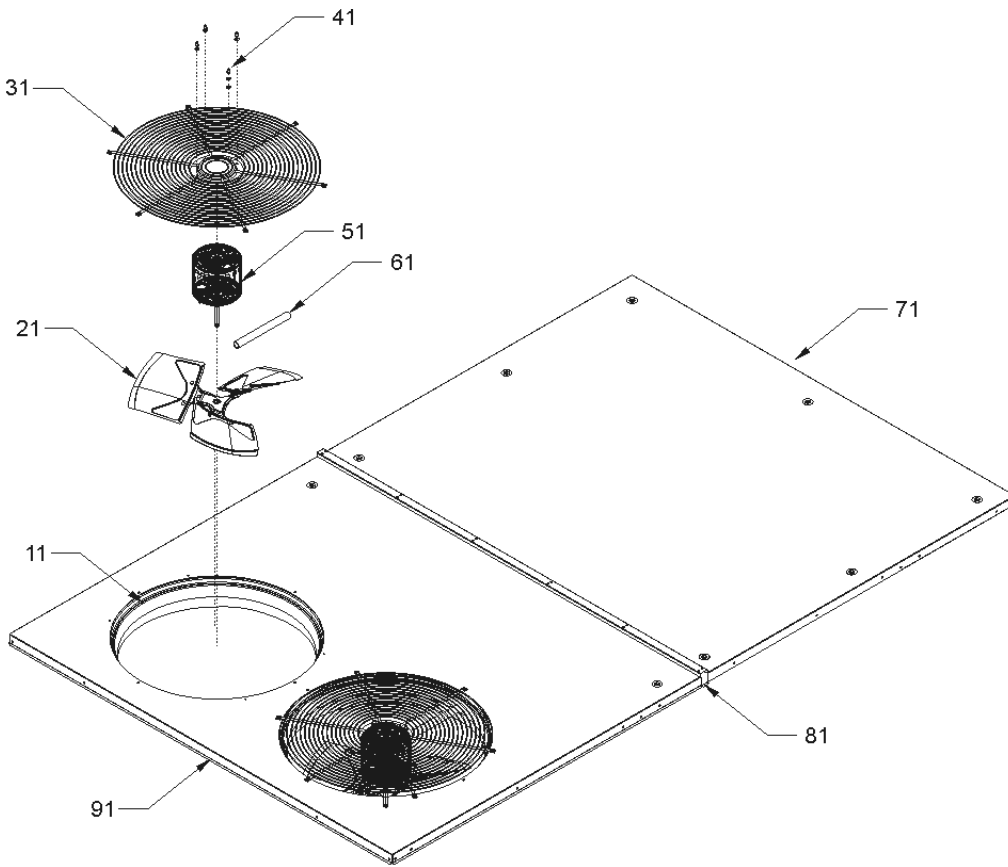
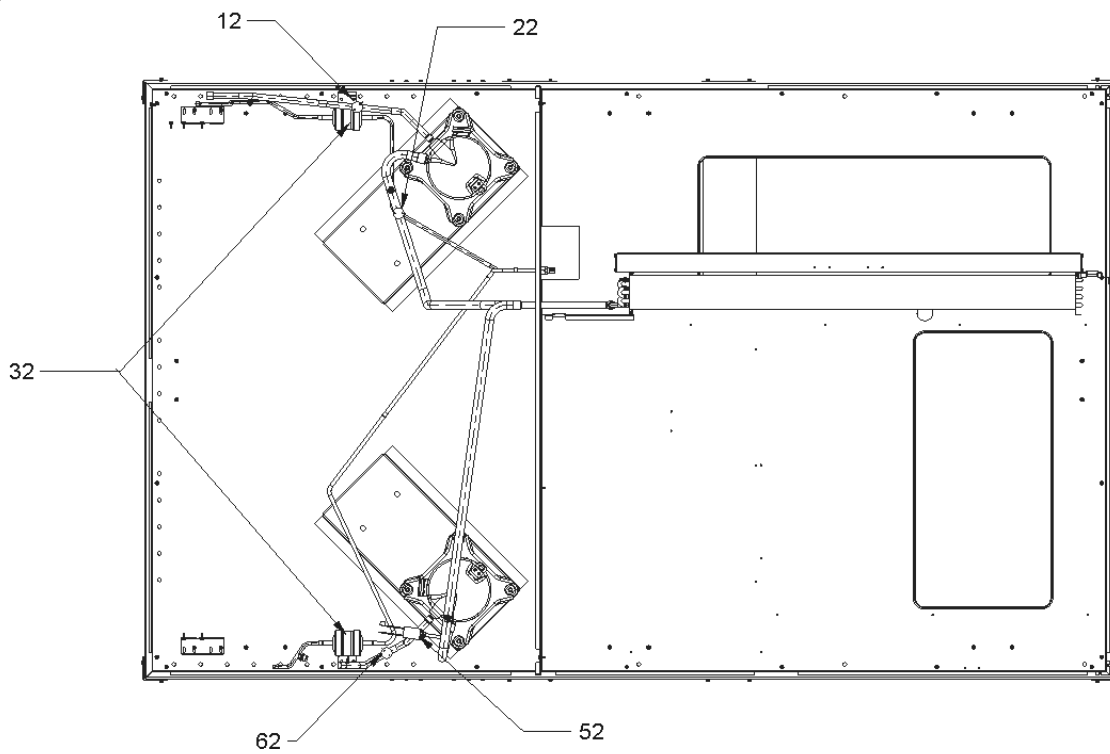


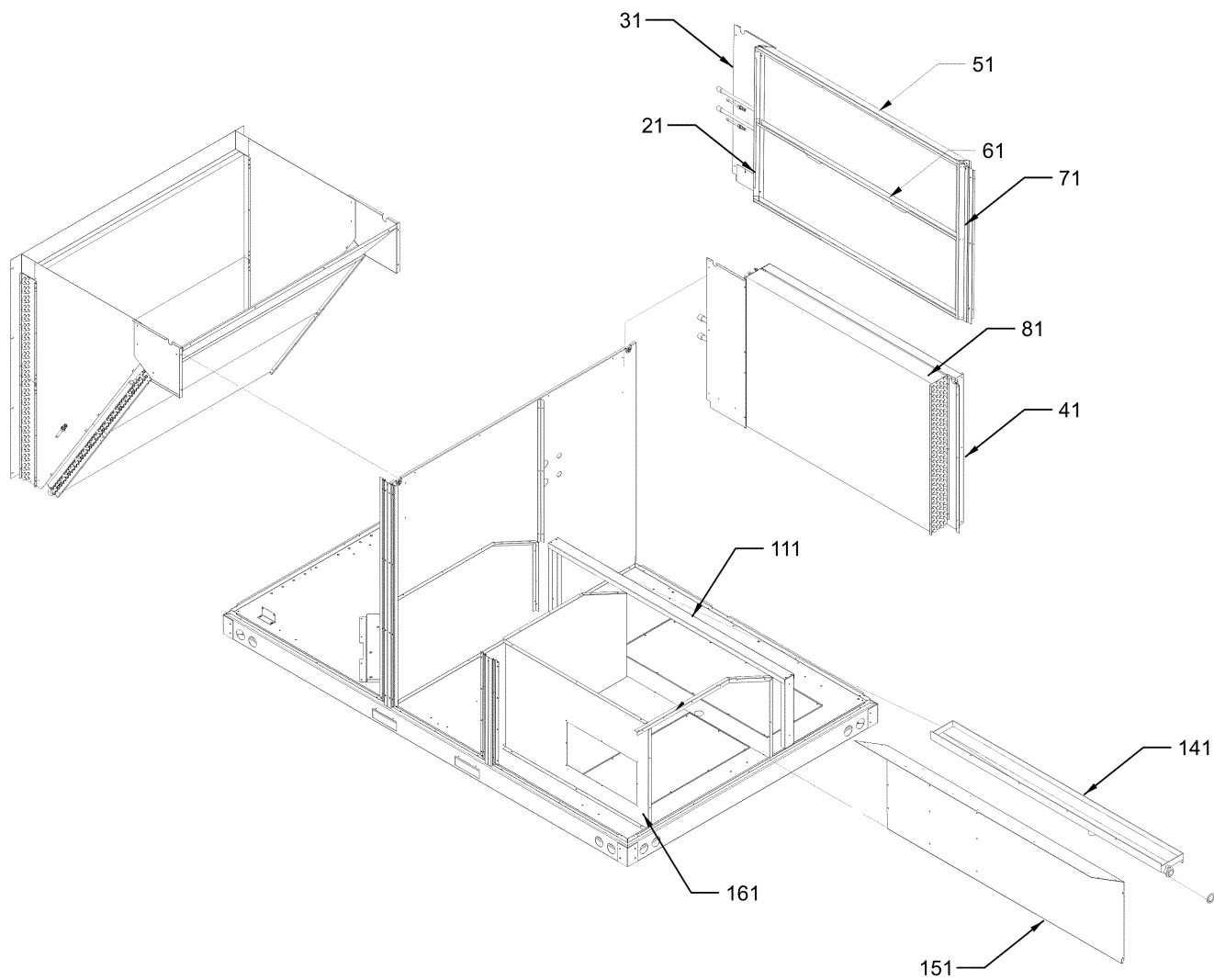
Image 2



Top Panel / Tubing Assy

| Ref. Part No: No: | Description: | Ref. Part No: No: | Description: |
|-------------------|---|------------------------------------|---------------------|
| Image 1: | | Expanded Model Nomenclature | |
| 11 | 0161L00000 VENTURI RING 22" (QTY 2) | M1 | - DCC090XXX3BAXXAB |
| 21 | 0150G00001 FAN BLADE (QTY 2) | M2 | - DCC090XXX3BHXXAA |
| 31 | 0152G00003 FAN GRILLE (M14, M17) | M3 | - DCC090XXX3BHXXAB |
| 31 | 0152G00000 FAN GRILLE, RAISED (M1, M2, M3, M4, M5, M6, M7, M8, M9, M10, M11, M12, M13, M15, M16, M18, M19, M20, M21, M22, M23, M24, M25, M26, M27, M28, M29, M30) | M4 | - DCC090XXX3BJXBAB |
| 41 | 0163M00006P ACORN NUT 5/16 HEX BLACK (QTY 8) | M5 | - DCC090XXX3BXXXAA |
| 51 | 0131M00429 COND MOTOR 1/4 HP, 1 SP,6 PL (M1, M2, M3, M4, M5, M6, M19, M20, M21, M22, M23, M25, M26, M27) | M6 | - DCC090XXX3BXXXAB |
| 51 | B13400269 COND MOTOR 380/460 50/60 CYCLE (M14) | M7 | - DCC090XXX4BHXXJAC |
| 51 | 0131M00432 COND MOTOR 380/460/50/60 CYCLE (M7, M8, M9, M10, M11, M12, M13, M15, M16, M24, M28, M29, M30) | M8 | - DCC090XXX4BHXXAB |
| 51 | 0131M00098 COND MOTOR 575V (M17) | M9 | - DCC090XXX4BHXXAC |
| 51 | 0131M00431 COND MOTOR 575V (M18) | M10 | - DCC090XXX4BJXAAC |
| 61 | 17788000083F PVC CONDUIT 8.25" (QTY 2) | M11 | - DCC090XXX4BJXBAC |
| 71 | 0121L00497NG TOP INDOOR | M12 | - DCC090XXX4BXXBAB |
| 91 | 0121L01105NG TOP OUTDOOR | M13 | - DCC090XXX4BXXBAC |
| NS | 0259L00025 COND MOTOR HARNESS 230V (M22) | M14 | - DCC090XXX4BXXXAA |
| NS | 0259L00025 COND MOTOR HARNESS 230V (M22) | M15 | - DCC090XXX4BXXXAB |
| NS | 0259L00027 COND MOTOR HARNESS 230V (M22) | M16 | - DCC090XXX4BXXXAC |
| NS | 0259L00026 COND MOTOR HARNESS 460V (M7, M8, M9, M10, M11, M12, M13, M14, M15, M16, M24, M28, M29, M30) | M17 | - DCC090XXX7BXXXAA |
| NS | 0259L00028 COND MOTOR HARNESS 460V (M7, M8, M9, M10, M11, M12, M13, M14, M15, M16, M24, M28, M29, M30) | M18 | - DCC090XXX7BXXXAB |
| NS | 0259L00027 HARNESS-COND MOTOR 7.5 T 230V (M22) | M19 | - DCC0900163BHXAAB |
| | | M20 | - DCC0900163BHXAAB |
| | | M21 | - DCC0900163BJXAAB |
| | | M22 | - DCC0900163BJXFAB |
| | | M23 | - DCC0900163BJXNAB |
| | | M24 | - DCC0900164BHXXJAC |
| | | M25 | - DCC0900303BHXAAB |
| | | M26 | - DCC0900303BHXXAB |
| | | M27 | - DCC0900303BXXGAB |
| | | M28 | - DCC0900304BJXBAC |
| | | M29 | - DCC0900304BXXAAB |
| | | M30 | - DCC0900454BAXJAB |
| Image 2: | | | |
| 12 | 0130M00031 CUT-OUT SWITCH, HIGH PRESSURE | | |
| 22 | 0130L00003 CUT-OUT SWITCH, LOW PRESSURE | | |
| 32 | B1219204 BI-FLOW FILTER DRIER | | |
| 52 | 0130L00002 CUT-OUT SWITCH, LOW PRESSURE | | |
| 62 | 0130M00030 CUT-OUT SWITCH, HIGH PRESSURE | | |
| NS | B1373315 ACCESS FITTING (QTY 4) | | |
| NS | 0163M00175 CAP WITH O-RING (QTY 4) | | |
| NS | 0163M00004 SCREW #10X3/4", BLACK (QTY 4) | | |
| NS | 0163M00005P WASHER, BLACK (.50 OD .218ID) (QTY 8) | | |

Partition / Evaporator Assembly



Partition / Evaporator Assembly

| Ref. Part No: No: | Description: | Ref. Part No: No: | Description: |
|-------------------|--------------|-------------------|--------------|
|-------------------|--------------|-------------------|--------------|

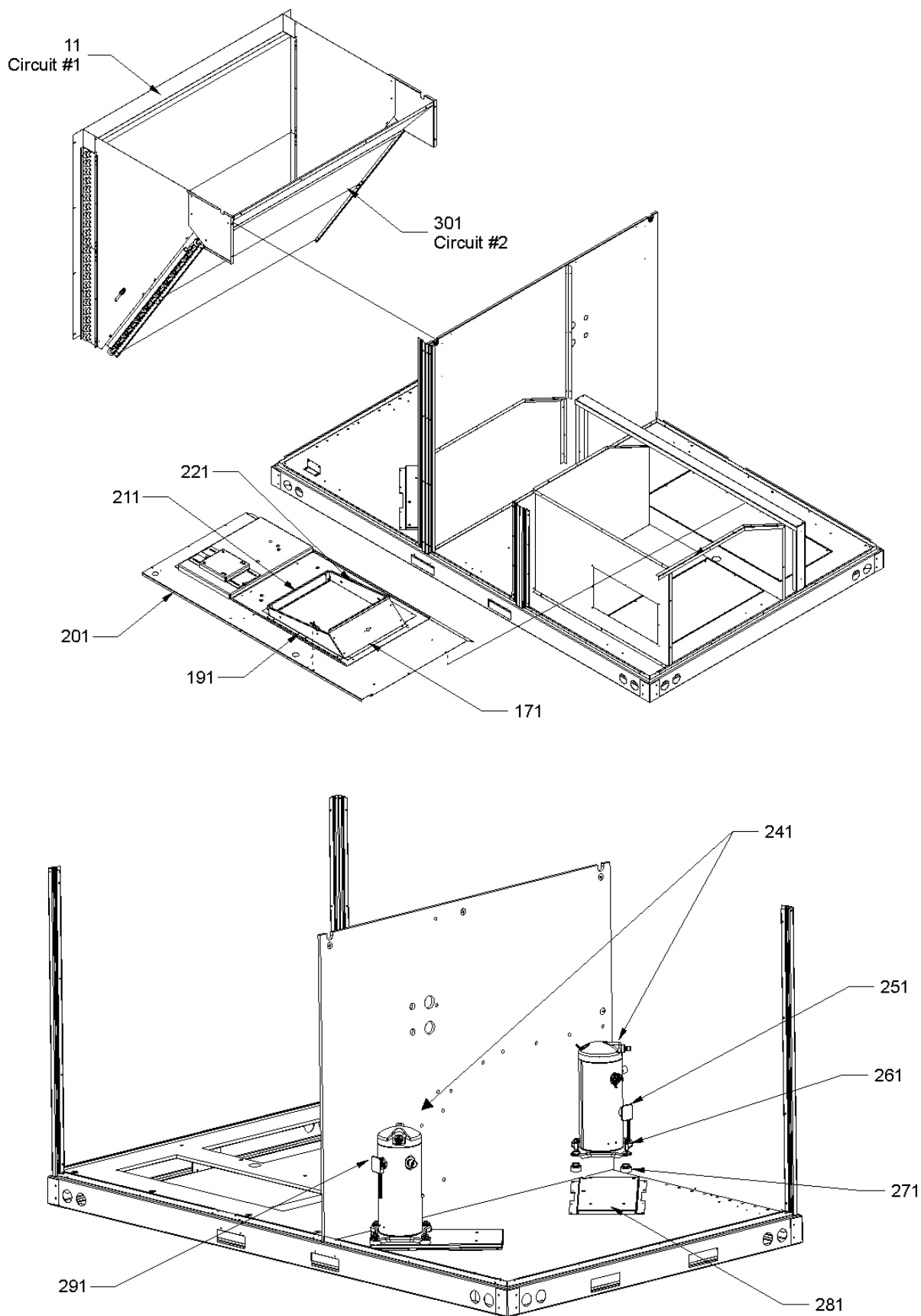
Image 1:

| | | |
|-----|------------|---|
| 21 | 0121L00357 | FILTER ANGLE-VERTICAL (RETURN SIDE) |
| 31 | 0121L00210 | EVAP EXTENSION-RETURN SIDE |
| 41 | 0121L00844 | EVAP EXTENSION-HAIRPIN SIDE |
| 51 | 0121L00932 | FILTER ANGLE-HORIZONTAL (QTY 2) |
| 61 | 0121L01255 | ANGLE-FILTER CENTER |
| 71 | 0121L00358 | FILTER ANGLE-VERTICAL (HAIRPIN SIDE) |
| 81 | 0202L00066 | TUBING ASSY, EVAP COIL (M2, M5, M8, M12, M14, M15, M17, M19, M29, M30) |
| 81 | 0202L00091 | TUBING ASSY, EVAP COIL (M1, M3, M4, M6, M7, M9, M10, M11, M13, M16, M18, M20, M21, M22, M23, M24, M25, M26, M27, M28) |
| 111 | 0121L00508 | DRAIN PAN SUPPORT |
| 141 | 0161L00002 | DRAIN PAN |
| 151 | 0121L00374 | DECK SIDE CHANNEL |
| 161 | 0121L00365 | ELECTRIC HEAT PANEL |
| NS | B1369608 | AIR FILTER 20 X 16 X 2 (QTY 4) |

Expanded Model Nomenclature

- M1 - DCC090XXX3BAXXAB
- M2 - DCC090XXX3BHXXAA
- M3 - DCC090XXX3BHXXAB
- M4 - DCC090XXX3BJXBAB
- M5 - DCC090XXX3BXXXAA
- M6 - DCC090XXX3BXXXAB
- M7 - DCC090XXX4BHXJAC
- M8 - DCC090XXX4BHXXAB
- M9 - DCC090XXX4BHXXAC
- M10 - DCC090XXX4BJXAAC
- M11 - DCC090XXX4BJXBAC
- M12 - DCC090XXX4BXXBAB
- M13 - DCC090XXX4BXXBAC
- M14 - DCC090XXX4BXXXAA
- M15 - DCC090XXX4BXXXAB
- M16 - DCC090XXX4BXXXAC
- M17 - DCC090XXX7BXXXAA
- M18 - DCC090XXX7BXXXAB
- M19 - DCC0900163BHAAA
- M20 - DCC0900163BHXAAB
- M21 - DCC0900163BJXAAB
- M22 - DCC0900163BJXFAB
- M23 - DCC0900163BJXNAB
- M24 - DCC0900164BHXJAC
- M25 - DCC0900303BHXAAB
- M26 - DCC0900303BHXXAB
- M27 - DCC0900303BXXGAB
- M28 - DCC0900304BJXBAC
- M29 - DCC0900304BXXAAB
- M30 - DCC0900454BAXJAB

Compressor / Condenser / Partition Assy



Compressor / Condenser / Partition Assy

| Ref. Part No: No: | Description: | Ref. Part No: No: | Description: |
|-------------------|---------------|--|------------------------|
| Image 1: | | Expanded Model Nomenclature | |
| 11 | 0201L00128 | COND COIL ASSY, 5MM (M2, M5, M8, M12, M14, M15, M17, M19, M29, M30) | M1 - DCC090XXX3BAXXAB |
| 11 | 0201L00209 | COND COIL ASSY, 5MM (M1, M3, M4, M6, M7, M9, M10, M11, M13, M16, M18, M20, M21, M22, M23, M24, M25, M26, M27, M28) | M2 - DCC090XXX3BHXXAA |
| 171 | 0121L00090 | BLOWER TRANSITION, RH END | M3 - DCC090XXX3BHXXAB |
| 191 | 0121L00092 | BLOWER TRANSITION, FRONT | M4 - DCC090XXX3BJXBAB |
| 201 | 0121L01204 | BLOWER DECK | M5 - DCC090XXX3BXXXAA |
| 211 | 0121L00097 | BLOWER TRANSITION, LH END | M6 - DCC090XXX3BXXXAB |
| 221 | 0121L00145 | BLOWER TRANSITION, BACK | M7 - DCC090XXX4BHXXAB |
| 241 | ZP39K5ETF5130 | COMPRESSOR 39000, 200/230/60/3 (M1, M2, M3, M4, M5, M6, M19, M20, M21, M22, M23, M25, M26, M27) | M8 - DCC090XXX4BHXXAB |
| 241 | ZP39K5ETFD130 | COMPRESSOR 39000, 460/60/3 (M7, M8, M9, M10, M11, M12, M13, M14, M15, M16, M24, M28, M29, M30) | M9 - DCC090XXX4BHXXAC |
| 241 | ZP39K5ETFE130 | COMPRESSOR 39000, 575/60/3 (M17, M18) | M10 - DCC090XXX4BJXAAC |
| 251 | 0159L00004 | COMPRESSOR SCROLL HARNESS | M11 - DCC090XXX4BJXBAC |
| 261 | M0221641 | TF SHOULDER SCREW (QTY 8) | M12 - DCC090XXX4BXXBAB |
| 271 | B1339533 | COMPRESSOR GROMMET (QTY 8) | M13 - DCC090XXX4BXXBAB |
| 281 | 0121L00408 | COMPRESSOR MOUNTING PLATE (QTY 2) | M14 - DCC090XXX4BXXXAA |
| 291 | 0159L00005 | COMPRESSOR SCROLL HARNESS | M15 - DCC090XXX4BXXXAB |
| 301 | 0201L00129 | COND COIL ASSY, 5MM (M2, M5, M8, M12, M14, M15, M17, M19, M29, M30) | M16 - DCC090XXX4BXXXAC |
| 301 | 0201L00210 | COND COIL ASSY, 5MM (M1, M3, M4, M6, M7, M9, M10, M11, M13, M16, M18, M20, M21, M22, M23, M24, M25, M26, M27, M28) | M17 - DCC090XXX7BXXXAA |
| | | | M18 - DCC090XXX7BXXXAB |
| | | | M19 - DCC0900163BHXAAB |
| | | | M20 - DCC0900163BHXAAB |
| | | | M21 - DCC0900163BJXAAB |
| | | | M22 - DCC0900163BJXFAB |
| | | | M23 - DCC0900163BJXNAB |
| | | | M24 - DCC0900164BHXXAB |
| | | | M25 - DCC0900303BHXAAB |
| | | | M26 - DCC0900303BHXXAB |
| | | | M27 - DCC0900303BXXGAB |
| | | | M28 - DCC0900304BJXBAC |
| | | | M29 - DCC0900304BXXAAB |
| | | | M30 - DCC0900454BAXJAB |

Belt Drive Blower and Control Box Assy

Image 1

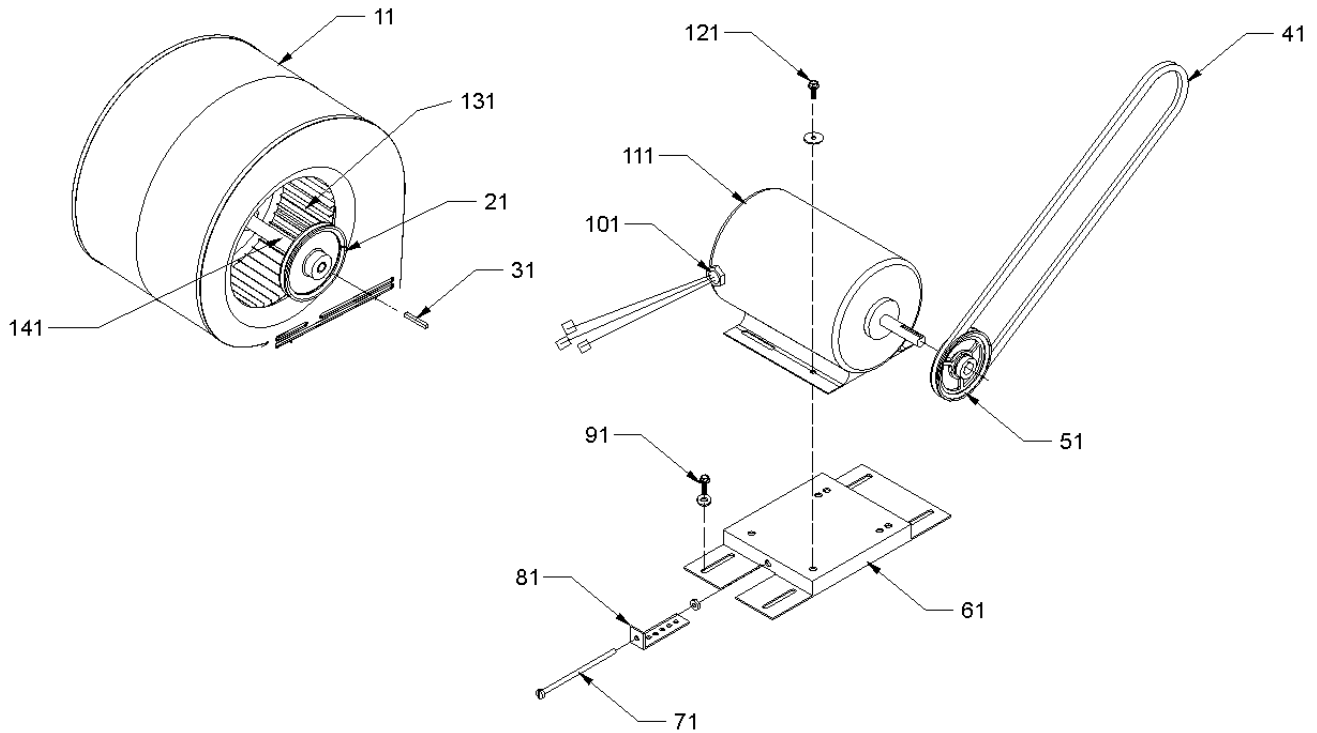
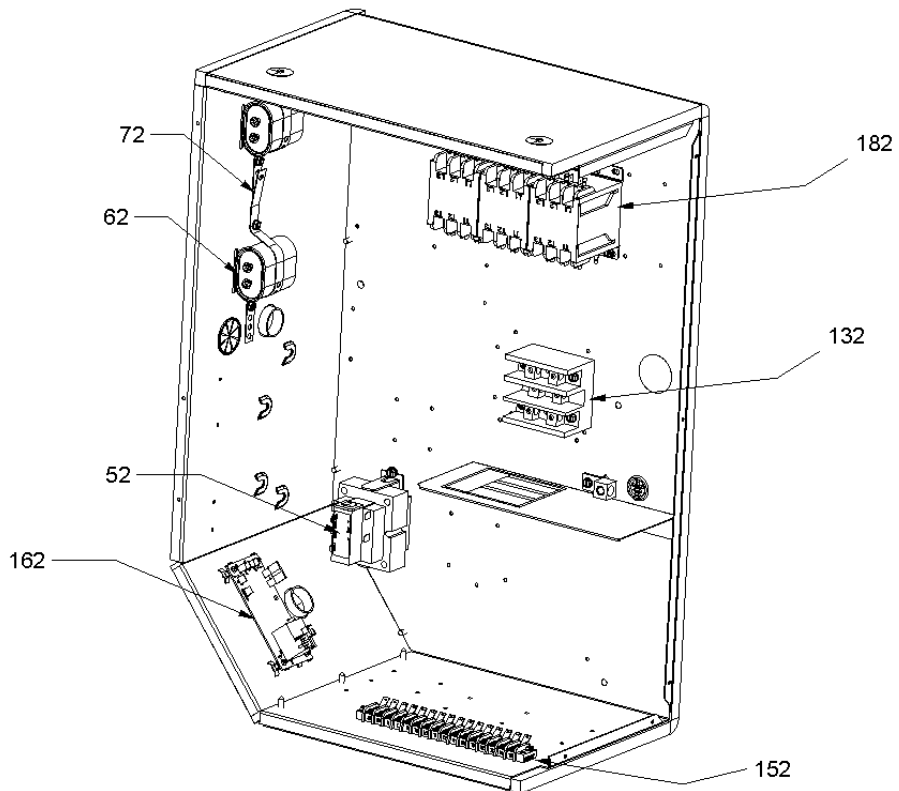


Image 2



Belt Drive Blower and Control Box Assy

| Ref. Part No: No: | Description: | Ref. Part No: No: | Description: |
|-------------------|---|------------------------------------|---------------------|
| Image 1: | | Expanded Model Nomenclature | |
| 11 | 04-01525 BLOWER HOUSING | M1 | - DCC090XXX3BAXXAB |
| 21 | 0163L00011 FIXED SHEAVE AK74 | M2 | - DCC090XXX3BHXXAA |
| 31 | B1398604 STEEL KEY (000158812) 2.0" | M3 | - DCC090XXX3BHXXAB |
| 41 | 0164L00000 NOTCHED FAN BELT AX51 | M4 | - DCC090XXX3BJXBAB |
| 51 | 0163L00024 VARIABLE PITCH SHEAVE 1VL40 X 5/8" (M17, M18) | M5 | - DCC090XXX3BXXXAA |
| 51 | 0163L00012 VARIABLE PITCH SHEAVE VL40 (M1, M2, M3, M4, M5, M6, M7, M8, M9, M10, M11, M12, M13, M14, M15, M16, M19, M20, M21, M22, M23, M24, M25, M26, M27, M28, M29, M30) | M6 | - DCC090XXX3BXXXAB |
| 61 | 0121L00142 MOTOR BASE | M7 | - DCC090XXX4BHXXJAC |
| 71 | 0163M00045 BOLT 1/4-20 X 4" | M8 | - DCC090XXX4BHXXAB |
| 81 | 3225000F BELT TIGHTENER ANGLE | M9 | - DCC090XXX4BHXXAC |
| 91 | B1446707 SCREW 5/16-18 X 1" (QTY 4) | M10 | - DCC090XXX4BJXAAC |
| 101 | B1393726 ELECT. CONNECTING BUSHING | M11 | - DCC090XXX4BJXBAC |
| 111 | B3240007 BELT DRIVE MOTOR 1.5 HP (M1, M2, M3, M4, M5, M6, M7, M8, M9, M10, M11, M12, M13, M14, M15, M16, M19, M20, M21, M22, M23, M24, M25, M26, M27, M28, M29, M30) | M12 | - DCC090XXX4BXXBAB |
| 111 | 0131L00004 BELT DRIVE MOTOR 1.5 HP 575V (M17, M18) | M13 | - DCC090XXX4BXXBAC |
| 121 | B1393738 BOLT 1/4-20 X 3/4" (QTY 4) | M14 | - DCC090XXX4BXXXAA |
| 131 | 03-77429 BLOWER WHEEL | M15 | - DCC090XXX4BXXXAB |
| 141 | 04-11525 BLOWER SHAFT | M16 | - DCC090XXX4BXXXAC |
| NS | 04-02196 BEARING & FRAME ASSY | M17 | - DCC090XXX7BXXXAA |
| Image 2: | | M18 | - DCC090XXX7BXXXAB |
| 52 | 0130M00144 TRANSFORMER (M1, M2, M3, M4, M5, M6, M19, M20, M21, M22, M23, M25, M26, M27) | M19 | - DCC0900163BHXAAB |
| 52 | 0130M00145 TRANSFORMER 480V to 24V, 75VA (M7, M8, M9, M10, M11, M12, M13, M14, M15, M16, M24, M28, M29, M30) | M20 | - DCC0900163BHXAAB |
| 52 | 0130M00148 TRANSFORMER 575V to 24V, 75VA (M17, M18) | M21 | - DCC0900163BJXAAB |
| 62 | CAP030000440LA CAPACITOR 3/440V (M18) | M22 | - DCC0900163BJXFAB |
| 62 | CAP050000370LA CAPACITOR 5/370V (M1, M2, M3, M4, M5, M6, M14, M17, M19, M20, M21, M22, M23, M25, M26, M27) | M23 | - DCC0900163BJXNAB |
| 62 | CAP075000370LA CAPACITOR 7.5/370V (M7, M8, M9, M10, M11, M12, M13, M15, M16, M24, M28, M29, M30) | M24 | - DCC0900164BHXXJAC |
| 72 | 20520901 CAPACITOR STRAP (QTY 2) | M25 | - DCC0900303BHXAAB |
| 132 | 0130M00042 BLOCK, POWER | M26 | - DCC0900303BHXXAB |
| 152 | 0130M00038 TERMINAL BOARD | M27 | - DCC0900303BXXGAB |
| 162 | PCBFM103 ELECTRONIC BLOWER TIME DELAY | M28 | - DCC0900304BJXBAC |
| 182 | CONT3P025024V CONTACTOR 25 AMP, 3P, 24V (QTY 3) | M29 | - DCC0900304BXXAAB |
| NS | 0259L00165 ECONOMIZER HARNESS | M30 | - DCC0900454BAXJAB |
| NS | 0259L00092 HARNESS-SMOKE DETECTOR SENSOR (M7, M24, M30) | | |
| NS | 0259L00032 LCM HARNESS, ELECTRIC HEAT | | |
| NS | 0259L00008 MOTOR HARNESS-BELT DRIVE | | |
| NS | 0259L00146 POWER HARNESS | | |
| NS | 0259L00148 WIRE HARNESS ASSY | | |
| NS | 0259L00158 WIRE HARNESS ASSY | | |
| NS | 0259L00090 WIRE HARNESS-SMOKE DETECTOR (M7, M24, M30) | | |

Accessory Parts List

Accessory Parts

| Ref. Part No: No: | Description: | Ref. Part No: No: | Description: |
|-------------------|--|------------------------------------|--------------|
| Image 1: | | Expanded Model Nomenclature | |
| NS 0121L00316 | BRACKET-CONV OUTLET MOUNT (M7, M10, M19, M20, M21, M22, M24, M25, M27, M29, M30) | M1 - DCC090XXX3BAXXAB | |
| NS 0121L00768 | BRACKET-SMOKE DETECTOR (M7, M24, M30) | M2 - DCC090XXX3BHXXAA | |
| NS 0130M00065 | CIRCUIT BREAKER, CONVENIENCE OUTLET (M4, M11, M12, M13, M23, M28) | M3 - DCC090XXX3BHXXAB | |
| NS 0270L00582 | DISCONNECT COVER ASSY (M2, M3, M7, M8, M9, M10, M11, M25, M26) | M4 - DCC090XXX3BJXBAB | |
| NS 0130L00012 | GANG BOX-GFCI OUTLET (M7, M10, M19, M20, M21, M22, M24, M25, M27, M29, M30) | M5 - DCC090XXX3BXXXAA | |
| NS 0130L00039 | HANDLE, ROTARY (M2, M3, M7, M8, M9, M10, M11, M25, M26) | M6 - DCC090XXX3BXXXAB | |
| NS LAKT03 | LOW AMBIENT KIT (M22) | M7 - DCC090XXX4BHXXJAC | |
| NS 0161G00012 | POWER OUTLET BOX (M7, M10, M19, M20, M21, M22, M24, M25, M27, M29, M30) | M8 - DCC090XXX4BHXXAB | |
| NS 0130L00103 | RECEPTACLE-GFCI OUTLET (M7, M10, M19, M20, M21, M22, M24, M25, M27, M29, M30) | M9 - DCC090XXX4BHXXAC | |
| NS 0130L00043 | SHAFT, CUT (M4) | M10 - DCC090XXX4BJXAAC | |
| NS 0130L00056 | SHAFT, CUT (M7, M8, M9, M10, M11, M25, M26) | M11 - DCC090XXX4BJXBAC | |
| NS 0130L00057 | SHAFT, CUT (M19, M20, M21, M22, M23, M24, M28) | M12 - DCC090XXX4BXXBAB | |
| NS 0121L00321 | SMOKE DETECTOR COVER (M7, M24, M30) | M13 - DCC090XXX4BXXBAC | |
| NS D4120 | SMOKE DETECTOR, PHOTO 4WIRE (M7, M24, M30) | M14 - DCC090XXX4BXXXAA | |
| NS D4S | SMOKE DETECTOR, SENSOR ONLY (M7, M24, M30) | M15 - DCC090XXX4BXXXAB | |
| NS 0130L00027 | SWITCH-DISCONNECT 100A (M7, M8, M9, M10, M11, M25, M26) | M16 - DCC090XXX4BXXXAC | |
| NS 0130L00033 | SWITCH-DISCONNECT 200A (M4) | M17 - DCC090XXX7BXXXAA | |
| NS 0130L00046 | SWITCH-DISCONNECT 60A (M19, M20, M21, M22, M23, M24, M28) | M18 - DCC090XXX7BXXXAB | |
| NS 0130M00061 | TRANSFORMER, CONVENIENCE OUTLET (M4, M11, M12, M13, M23, M28) | M19 - DCC0900163BHXAAB | |
| | | M20 - DCC0900163BHXAAB | |
| | | M21 - DCC0900163BJXAAB | |
| | | M22 - DCC0900163BJXFAB | |
| | | M23 - DCC0900163BJXNAB | |
| | | M24 - DCC0900164BHXXJAC | |
| | | M25 - DCC0900303BHXAAB | |
| | | M26 - DCC0900303BHXXAB | |
| | | M27 - DCC0900303BXXGAB | |
| | | M28 - DCC0900304BJXBAC | |
| | | M29 - DCC0900304BXXAAB | |
| | | M30 - DCC0900454BAXJAB | |