

Commercial 6 Ton 2-Stage Package Cooling Unit

DCC0720103VHDBAA
DCC0720153VAMJAA
DCC0720153VHDXAA
DCC0720153VWDFAA
DCC0720153VWXXAA
DCC0720154VHDAAA
DCC0720154VXDZAA
DCC0720203VWBEAA
DCC0720207VHDXAA
DCC072XXX3VRXFAA
DCC072XXX3VXDAAA
DCC072XXX3VXXXAA
DCC072XXX4VFXCAA
DCC072XXX4VXXXAA
DCC072XXX7VBXXXAA
DCC072XXX7VXXXAA



This manual is to be used by qualified technicians only.

This manual replaces RP-D1091G.

Important Information

Index

Functional Parts List	3
Illustration and Parts	4 - 15

Views shown are for parts illustrations only, not servicing procedures

Text Codes:

AR - As Required

NA - Not Available

NS - Not Shown

00000000 - See Note

QTY - Quantity Example (QTY 3) (If Quantity not shown, Quantity = 1)

M - Model Example (M1) (If M Code not shown, then part is used on all Models)

Expanded Model Nomenclature:

Example M1 - Model#1 M2 - Model#2 M3 - Model#3

Daikin Company, L.P. is not responsible for personal injury or property damage resulting from improper service. Review all service information before beginning repairs.

Warranty service must be performed by an authorized technician, using authorized factory parts. If service is required after the warranty expires, Daikin Company, L.P. also recommends contacting an authorized technician and using authorized factory parts.

Daikin Company, L.P. reserves the right to discontinue, or change at any time, specifications or designs without notice or without incurring obligations.

For assistance within the U.S.A. contact:

Equipment Support
Daikin North America, LLC
19001 Kermier Road
Waller, Texas 77484
855-770-5678-Telephone
713-863-2382-Facsimile

For assistance outside the U.S.A. contact:

International Division
Daikin North America, LLC
19001 Kermier Road
Waller, Texas 77484
713-861-2500-Telephone
713-863-2382-Facsimile

Functional Parts

Part

No: **Description:**

B1368056	BELT DRIVE BLOWER WHEEL
CAP050000440LA	CAPACITOR (M6, M7, M16)
CAP100000370LA	CAPACITOR 10/370V (M1, M2, M3, M4, M5, M8, M9, M10, M11, M12, M13, M14, M15)
ZPS60K5ETFD130	COMP, 60900, 460/60/3 2 STAGE (M4, M5, M13, M14)
ZPS60K5ETF5130	COMP, 61000, 200/230/60/3 2 ST (M1, M2, M3, M8, M9, M10, M11, M12, M15)
ZPS60K5ETFE130	COMP, 61000, 575/60/3 2 STAGE (M6, M7, M16)
CONT3P025024V	CONTACTOR 25 AMP, 3P, 24V (M4, M5, M6, M7, M13, M14, M16)
CONT3P030024V	CONTACTOR 30 AMP, 3P, 24V (M1, M2, M3, M8, M9, M10, M11, M12, M15)
0130M00074	CUT-OUT SWITCH, HIGH PRESSURE
0130M00087	CUT-OUT SWITCH, LOW PRESSURE
PCBFM103	ELECTRONIC BLOWER TIME DELAY
0164L00010	FAN BELT, NOTCHED
0150G00004	FAN BLADE (M6, M7, M16)
B1086765	FAN BLADE TYPE 3 (M1, M2, M3, M4, M5, M8, M9, M10, M11, M12, M13, M14, M15)
0131L00041	MOTOR 2 HP BELT DRIVE 208-230V (M1, M2, M3, M8, M9, M10, M11, M12, M15)
0131L00043	MOTOR 2HP BELT DRIVE 460V (M4, M5, M13, M14)
0131L00042	MOTOR 2HP BELT DRIVE 575V (M6, M7, M16)
0131M00430	MOTOR, 1/3 HP, 1 SP, 6 PL (M1, M2, M3, M8, M9, M10, M12, M15)
0131M00858	MOTOR, 1/3 HP, OD (M6, M7, M16)
0131M00774	MOTOR, 1/3 HP, OD (M4, M5, M13, M14)
10135604	RELAY (QTY 2)
0130M00240	TERMINAL BOARD
0130M00594	TRANSFORMER (M2, M3, M8, M9, M10, M11, M12, M15)
0130M00138	TRANSFORMER 208/230, 24V (M1)
0130M00595	TRANSFORMER, 75VA, 480V TO 24V (M4, M5, M13, M14)
0130M00598	TRANSFORMER, 75VA, 575V TO 24V (M6, M7, M16)

Expanded Model Nomenclature

- | |
|------------------------|
| M1 - DCC072XXX3VRXFAA |
| M2 - DCC072XXX3VXDAAA |
| M3 - DCC072XXX3VXXXAA |
| M4 - DCC072XXX4VFXCAA |
| M5 - DCC072XXX4VXXXAA |
| M6 - DCC072XXX7VBXXAA |
| M7 - DCC072XXX7VXXXAA |
| M8 - DCC0720103VHDBAA |
| M9 - DCC0720153VAMJAA |
| M10 - DCC0720153VHDAAA |
| M11 - DCC0720153VWDFAA |
| M12 - DCC0720153VWXXAA |
| M13 - DCC0720154VHDAAA |
| M14 - DCC0720154VXDZAA |
| M15 - DCC0720203VWBEAA |
| M16 - DCC0720207VHDAAA |

Top Panel and Tubing Assembly

IMAGE 1

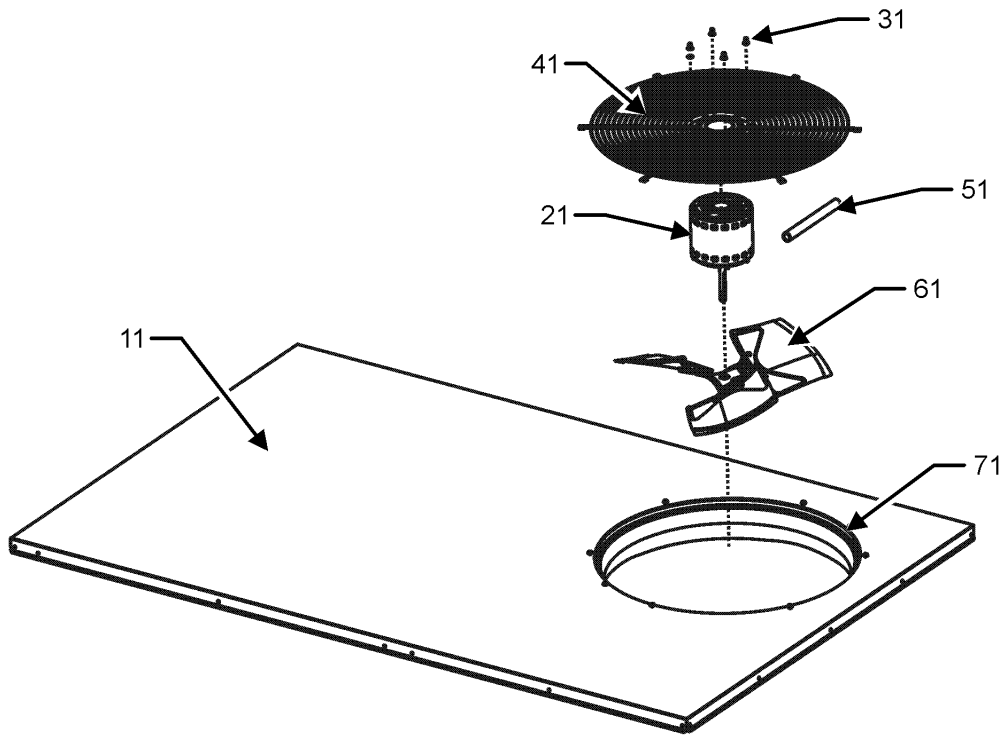
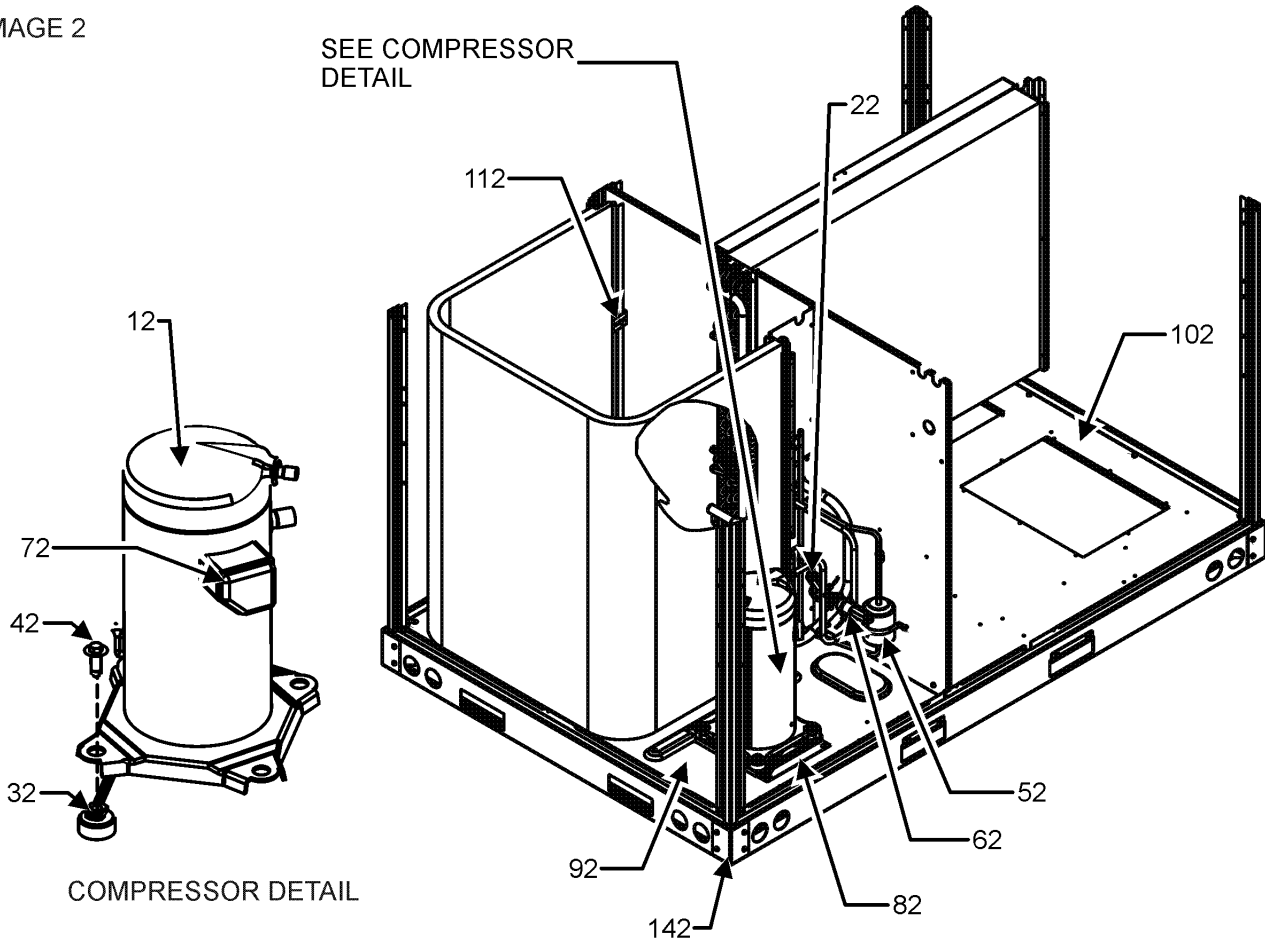


IMAGE 2



Top Panel and Tubing Assembly

**Ref. Part
No: No:**

Description:

**Ref. Part
No: No:**

Description:

Image 1:

11	0121L00235NG	TOP PANEL
21	0131M00430	MOTOR, 1/3 HP, 1 SP, 6 PL (M1, M2, M3, M8, M9, M10, M12, M15)
21	0131M00774	MOTOR, 1/3 HP, OD (M4, M5, M13, M14)
21	0131M00858	MOTOR, 1/3 HP, OD (M6, M7, M16)
21	0131L00064	MOTOR, COND, 1/3 HP, 208/230V (M11)
31	0163M00006P	ACORN NUT 5/16 HEX BLACK (QTY 4)
41	0152G00003	FAN GRILLE (M1, M2, M3, M4, M5, M6, M7, M8, M9, M10, M12, M13, M14, M15, M16)
41	0152G00000	FAN GRILLE, RAISED (M11)
51	0161R00003P	CONDUIT
61	0150G00004	FAN BLADE (M6, M7, M16)
61	B1086765	FAN BLADE TYPE 3 (M1, M2, M3, M4, M5, M8, M9, M10, M11, M12, M13, M14, M15)
71	0161L00000	VENTURI RING 22"
NS	0163M00004	SCREW #10X3/4", BLACK (QTY 18)
NS	0163M00005P	WASHER, BLACK (.50 OD .218ID) (QTY 4)

Image 2:

12	ZPS60K5ETFD130	COMP, 60900, 460/60/3 2 STAGE (M4, M5, M13, M14)
12	ZPS60K5ETF5130	COMP, 61000, 200/230/60/3 2 ST (M1, M2, M3, M8, M9, M10, M11, M12, M15)
12	ZPS60K5ETFE130	COMP, 61000, 575/60/3 2 STAGE (M6, M7, M16)
22	0130M00087	CUT-OUT SWITCH, LOW PRESSURE
32	B1339533	COMPRESSOR GROMMET (QTY 4)
42	M0221641	TF SHOULDER SCREW (QTY 4)
52	20485201	BI-FLOW FILTER DRIER
62	0130M00074	CUT-OUT SWITCH, HIGH PRESSURE
72	0159L00065	Harness, comp s croll
82	0121L00310	COMPRESSOR MOUNTING PLATE
92	0121L01990	BASE PAN, OUTDOOR
102	0121L02619	BASE PAN-INDOOR
112	0121L00936	BRACKET-HAIRPIN END
142	0121G00301	BRACKET-RAIL CORNERS (QTY 4)
NS	B1373315	ACCESS FITTING (QTY 2)
NS	0159G00010	CABLE, COMP SOL
NS	0141L00003X	FORK BOARD (QTY 2)
NS	0121L00055	FORK BOARD BRACKET (QTY 4)

Expanded Model Nomenclature

M1 - DCC072XXX3V RXFAA
M2 - DCC072XXX3V XDXAA
M3 - DCC072XXX3V XXXAA
M4 - DCC072XXX4V FXCAA
M5 - DCC072XXX4V XXXAA
M6 - DCC072XXX7V BXXAA
M7 - DCC072XXX7V XXXAA
M8 - DCC0720103V HDBAA
M9 - DCC0720153V AMJAA
M10 - DCC0720153V HDXAA
M11 - DCC0720153V WDFAA
M12 - DCC0720153V WXXAA
M13 - DCC0720154V HDAAA
M14 - DCC0720154V XDZAA
M15 - DCC0720203V WBEAA
M16 - DCC0720207V HDXAA

Cabinet Assembly

IMAGE 1

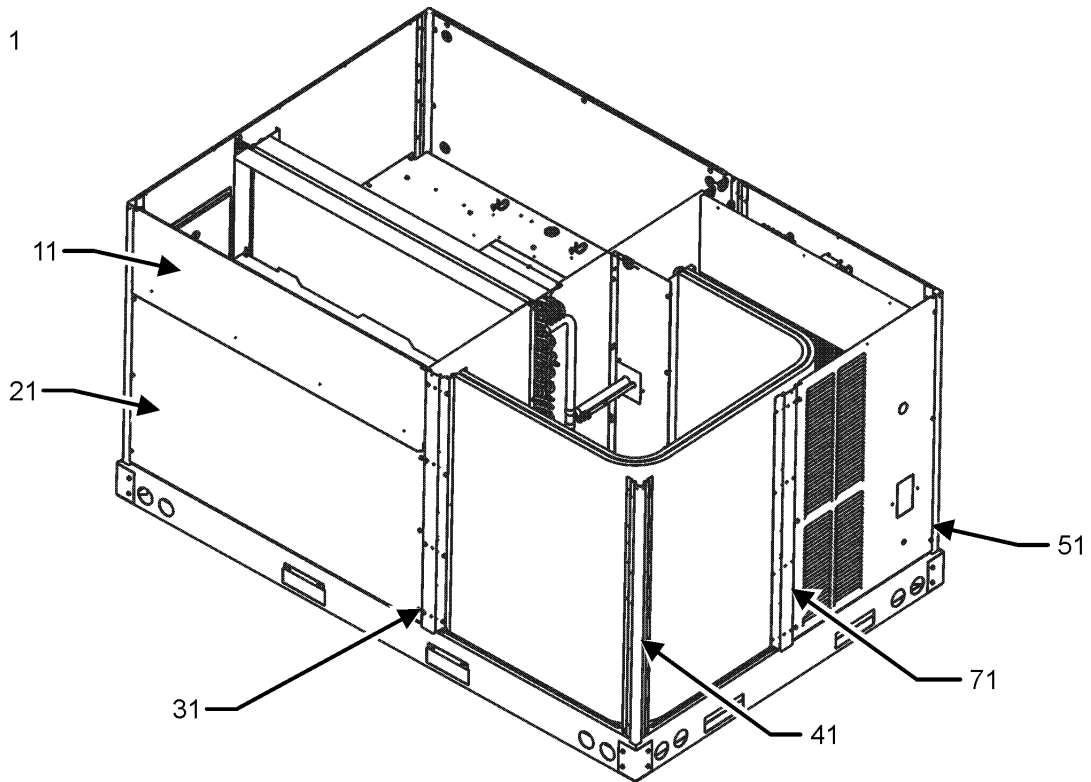
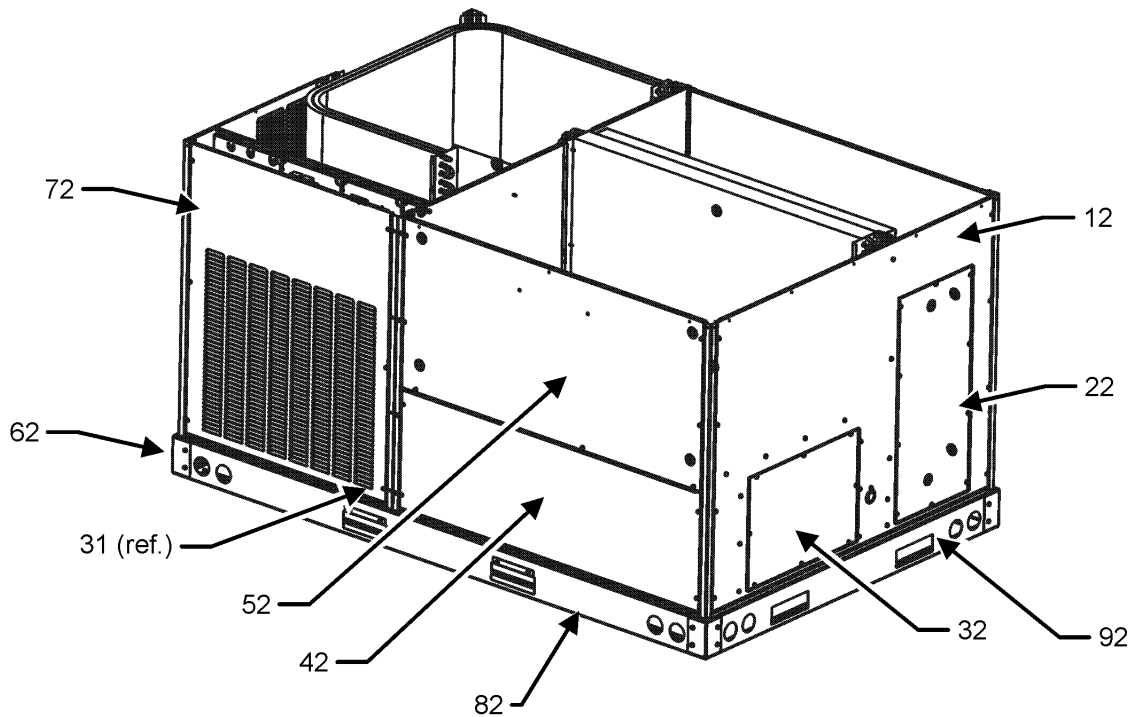


IMAGE 2



Cabient Assembly

Ref. Part No:	Part No:	Description:	Ref. Part No:	Part No:	Description:
---------------	----------	--------------	---------------	----------	--------------

Image 1:

11	0270L00363NG	FILTER DOOR
21	0121L00976NG	ECONOMIZER DOOR (M2, M3, M5, M6, M7, M8, M9, M10, M11, M12, M13, M14, M15, M16)
31	0121L00343RFNG	SIDE POST (QTY 2)
41	0121L00344RFNG	CORNER POST (QTY 4)
41	0121L02554RFNG	PNT, CORNER POST (M2, M8, M9, M10, M11, M13, M14, M16)
51	0121L00354NG	LOUVERED COMPRESSOR PANEL (M2, M3, M4, M5, M6, M7, M8, M9, M10, M11, M13, M14, M16)
51	0121L00840NG	LOUVERED COMPRESSOR PANEL (M1, M12, M15)
71	0121L01169RFNG	SIDE POST
71	0121L01382RFNG	SIDE POST
NS	0121L01309	ECONOMIZER COVER (M1, M4)
NS	0121L02655	END RAIL
NS	0164L00009	GASKET-RUBBER, CPOST (QTY 3)
NS	0164L00011	GASKET-RUBBER, SIDE POST (QTY 2)

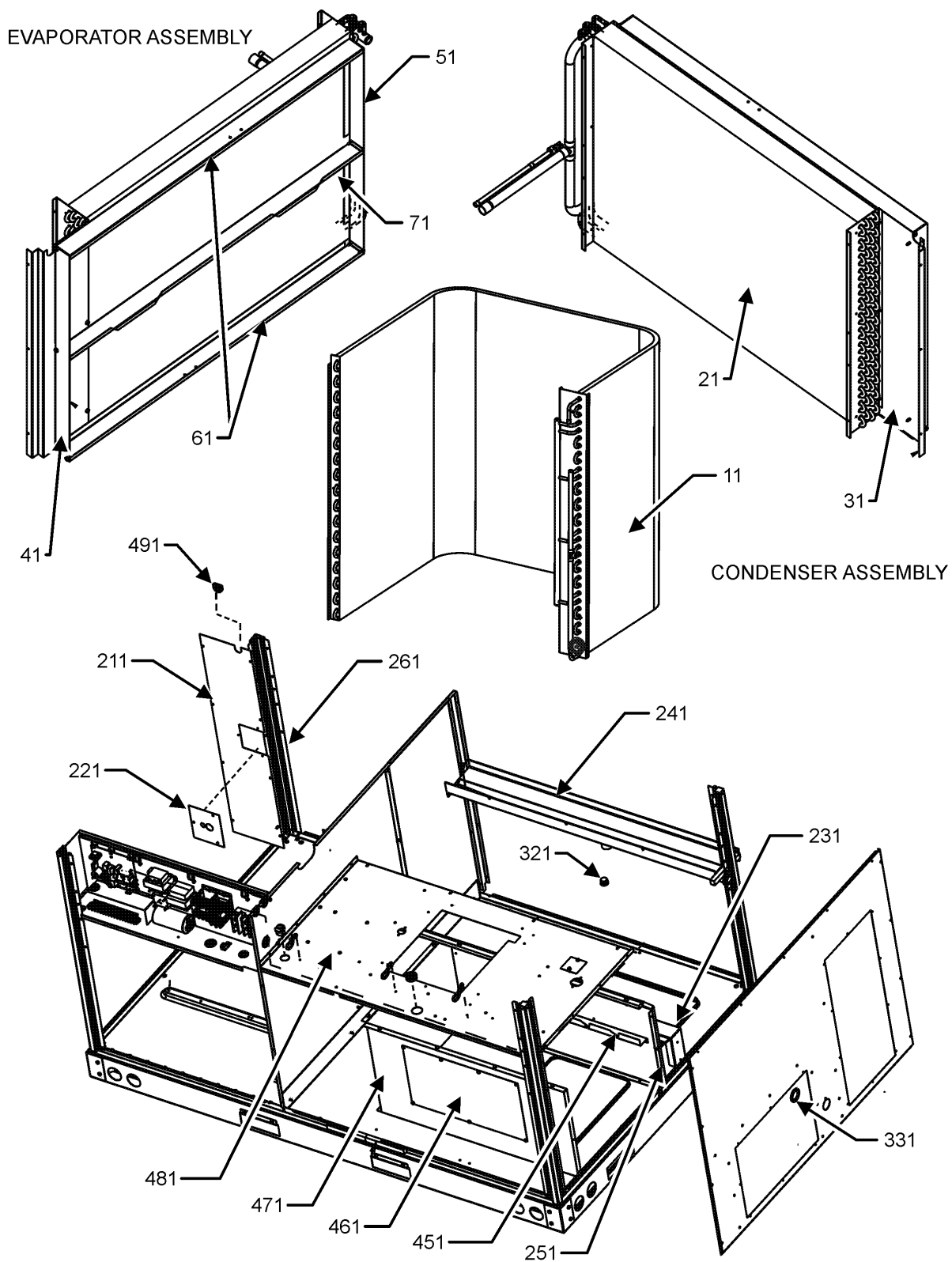
Image 2:

12	0121L00342NG	DUCT PANEL
22	0121L00023NG	RETURN DUCT COVER
32	0121L00024NG	SUPPLY DUCT COVER
42	0121L01176NG	ELECTRIC HEAT DOOR
52	0121L01172NG	BLOWER DOOR
62	0121G00301	RAIL CORNER BRACKET (QTY 4)
72	0121L01170NG	LOUVERED CONTROL PANEL (M1, M3, M4, M5, M6, M7, M12, M15)
72	0121L02552NG	PNT, CONTROL DOOR (M2, M8, M9, M10, M11, M13, M14, M16)
82	0121L00244RF	SIDE RAIL (QTY 2)
92	0121L00245	END RAIL

Expanded Model Nomenclature

M1 - DCC072XXX3VRXFAA
M2 - DCC072XXX3VXDAAA
M3 - DCC072XXX3VXXXAAA
M4 - DCC072XXX4VFXCAA
M5 - DCC072XXX4VXXXAAA
M6 - DCC072XXX7VBXXXAA
M7 - DCC072XXX7VXXXAAA
M8 - DCC0720103VHDBAA
M9 - DCC0720153VAMJAA
M10 - DCC0720153VHDAAA
M11 - DCC0720153VWDFAA
M12 - DCC0720153VWXXXAA
M13 - DCC0720154VHDAAA
M14 - DCC0720154VXDZAA
M15 - DCC0720203VWBAAA
M16 - DCC0720207VHDAAA

Condenser, Evaporator and Partition Assy



Condenser, Evaporator and Partition Assy

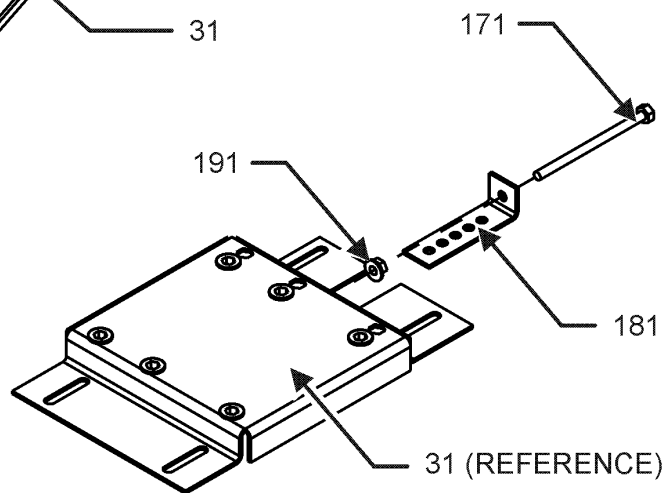
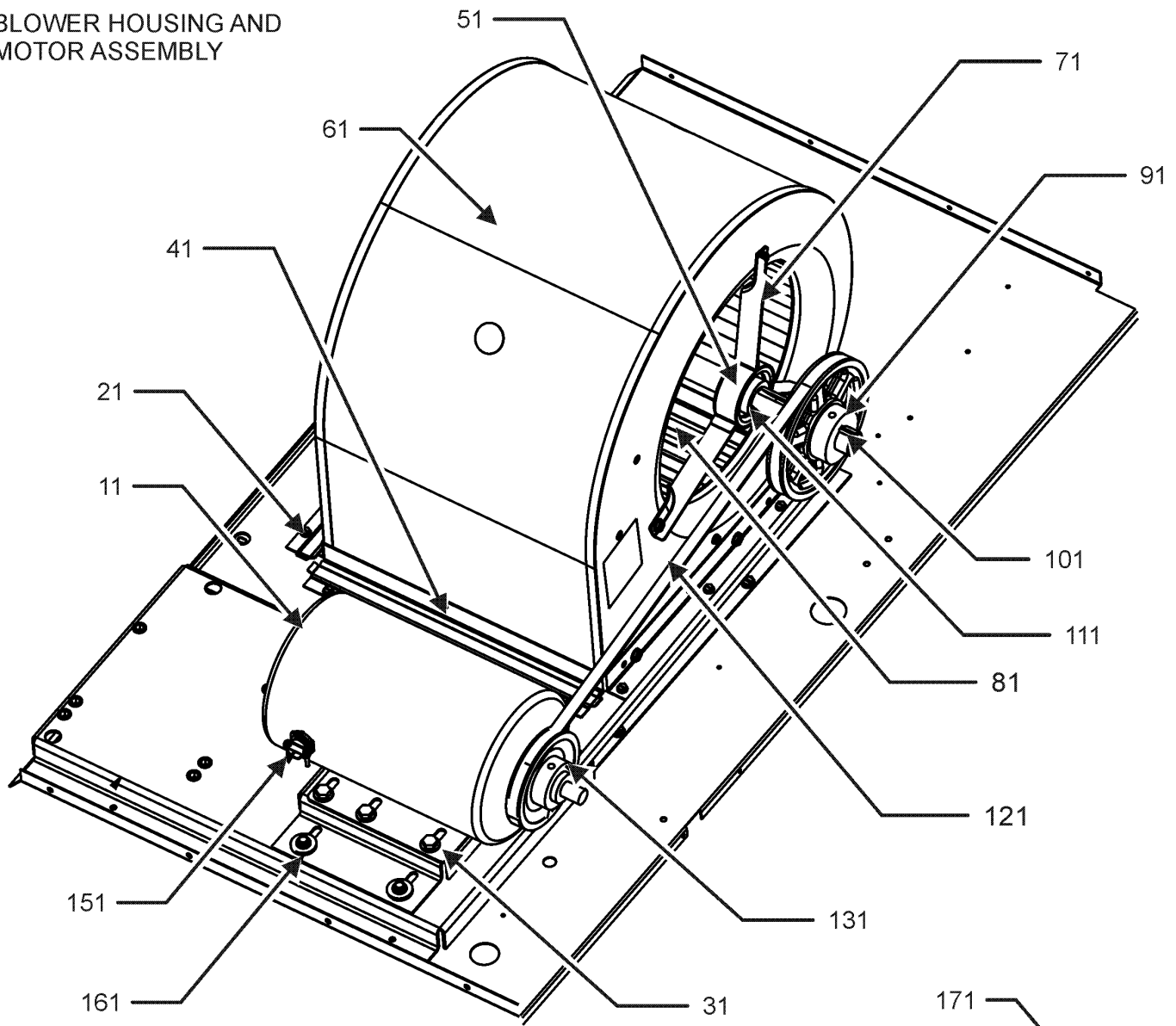
Ref. Part No:	Ref. Part No:	Description:	Description:
Image 1:			
11	0201L00145	TUBING ASSY, COND COIL	
21	0202L00146	TUBING ASSY, EVAP COIL	
31	0121L00889	BLOCKOFF-EVAPORATOR (M1, M2, M3, M4, M5, M6, M7, M8, M10, M11, M12, M13, M15, M16)	
31	0121L00398	BOLCKOFF-EVAPORATOR (M9, M14)	
41	0121L00358	FILTER ANGLE-VERTICAL (HAIRPIN SIDE)	
51	0121L00357	FILTER ANGLE-VERTICAL (RETURN SIDE)	
61	0121L00932	FILTER ANGLE-HORIZONTAL (QTY 2)	
71	0121L01255	ANGLE-FILTER CENTER	
211	0121L00889	COND BLOCK-OFF	
221	0121L00939	CONDENSER BLOCKOFF PLATE	
231	0121L00238	DRAIN PAN SUPPORT	
241	0161L00005	DRAIN PAN	
251	0121L02123	DECK SIDE CHANNEL	
261	0121L00349	COND MOUNTING ANGLE	
321	0163L00071	DRAIN PLUG	
331	0154L00009	DRAIN PAN GASKET	
451	0121L00288	ELECTRIC HEAT RETAINER	
461	0121L00144	ELECTRIC HEAT COVER (M8, M9, M10, M11, M12, M13, M14, M15, M16)	
471	0121L00256	ELECTRIC HEAT PANEL	
481	0121L03396	DECK-BLOWER	
491	A4568804	GROMMET-D (QTY 4)	
NS	0160L00174	AIR FILTER 16 X 20 X 2 (QTY 4)	
NS	0121L01377	BLOWER DECK SUPPORT (M2, M8, M9, M10, M11, M13, M14, M16)	
NS	0121L00321	SMOKE DETECTOR COVER	

Expanded Model Nomenclature

M1 - DCC072XXX3VRXFAA
M2 - DCC072XXX3VXDXAA
M3 - DCC072XXX3VXXXAA
M4 - DCC072XXX4VFXCAA
M5 - DCC072XXX4VXXXAA
M6 - DCC072XXX7VBXXAA
M7 - DCC072XXX7VXXXAA
M8 - DCC0720103VHDBAA
M9 - DCC0720153VAMJAA
M10 - DCC0720153VHDXAA
M11 - DCC0720153VWDFAA
M12 - DCC0720153VWXXAA
M13 - DCC0720154VHDAAA
M14 - DCC0720154VXDZAA
M15 - DCC0720203VWBEEA
M16 - DCC0720207VHDXAA

Belt Drive Blower Assembly

BLOWER HOUSING AND
MOTOR ASSEMBLY



MOTOR MOUNTING BASE ASSEMBLY

Belt Drive Blower Assembly

Ref. Part No:	Ref. Part No:	Description:	Description:
---------------	---------------	--------------	--------------

Image 1:

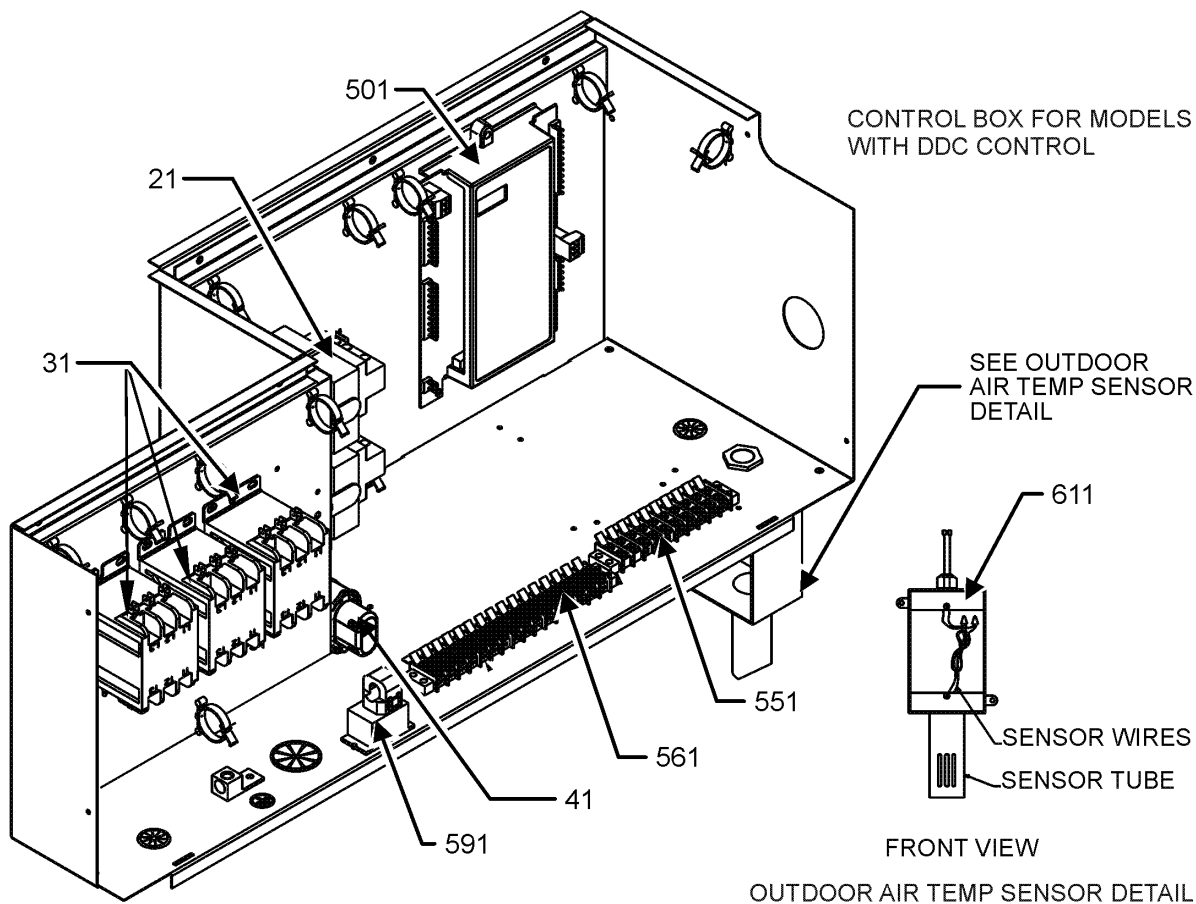
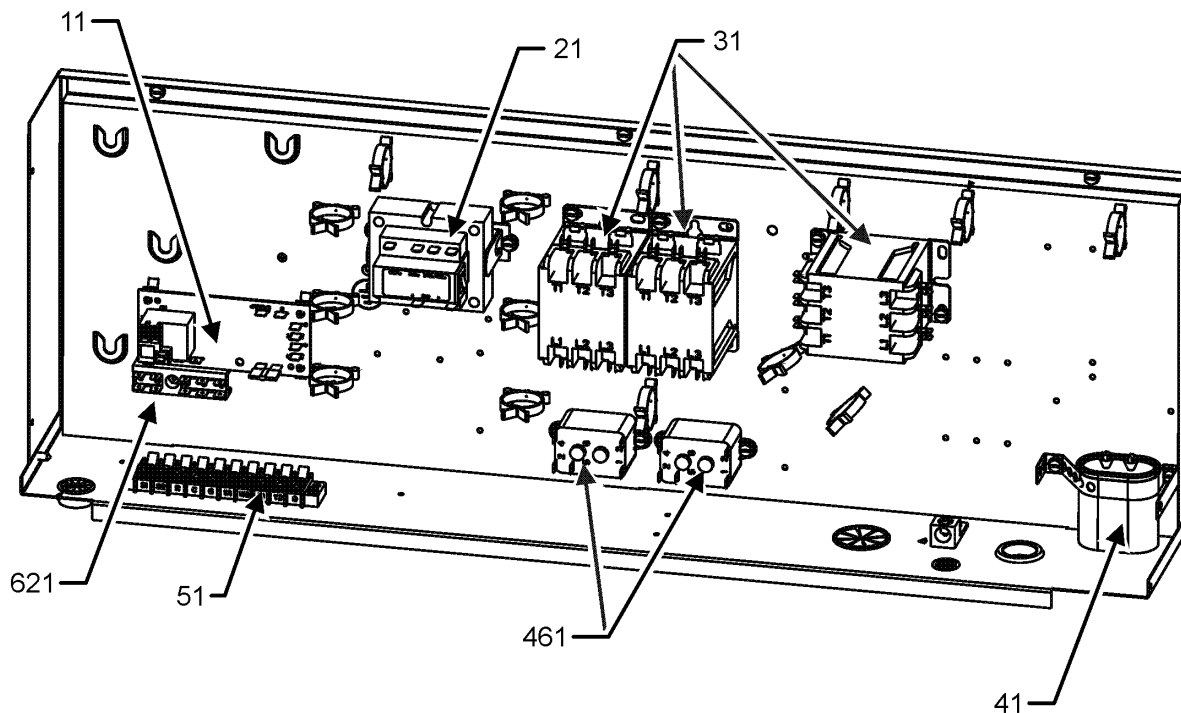
11	0131L00041	MOTOR 2 HP BELT DRIVE 208-230V (M1, M2, M3, M8, M9, M10, M11, M12, M15)
11	0131L00043	MOTOR 2HP BELT DRIVE 460V (M4, M5, M13, M14)
11	0131L00042	MOTOR 2HP BELT DRIVE 575V (M6, M7, M16)
21	0121L00297	BLOWER SIDE ANGLE (QTY 3)
31	0121L01619	MOTOR BASE
41	0121L00281	BLOWER MOUNTING ANGLE
51	0163L00005	BELT DRIVE BLOWER SHAFT
61	2539302F	BLOWER HOUSING 11 X 10
71	B3201300	MOUNTING BRACKET BEARING (QTY 2)
81	B1368056	BELT DRIVE BLOWER WHEEL
91	0163L00136	SHEAVE, FIXED AK59H
101	0163M00407	MACHINE KEY, SPECIAL
111	0163L00247	BEARING, BALL, MOUNTED (QTY 2)
121	0164L00010	FAN BELT, NOTCHED
131	B2120014	VARIABLE PITCH SHEAVE 1VL44 X 7/8"
151	B1393726	ELECT. CONNECTING BUSHING
161	B1393738	BOLT 1/4-20 X 3/4" (QTY 4)
171	0163M00045	BOLT 1/4-20 X 4"
181	3225000F	BELT TIGHTENER ANGLE
191	B1393023	NUT / LOCK .25-20
NS	1864703	BLOWER CUT-OFF ASM,5TON,MORRIS
NS	B1398603	STEEL KEY (000158812) 4.5"

Expanded Model Nomenclature

M1 - DCC072XXX3VRXFAA
M2 - DCC072XXX3VXDXAA
M3 - DCC072XXX3VXXXAA
M4 - DCC072XXX4VFXCAA
M5 - DCC072XXX4VXXXAA
M6 - DCC072XXX7VBXXAA
M7 - DCC072XXX7VXXXAA
M8 - DCC0720103VHDBAA
M9 - DCC0720153VAMJAA
M10 - DCC0720153VHDAAA
M11 - DCC0720153VWDFAA
M12 - DCC0720153VWXXAA
M13 - DCC0720154VHDAAA
M14 - DCC0720154VXDZAA
M15 - DCC0720203VWBAAA
M16 - DCC0720207VHDAAA

Control Box Assembly

CONTROL BOX ASSEMBLY



Control Box Assembly

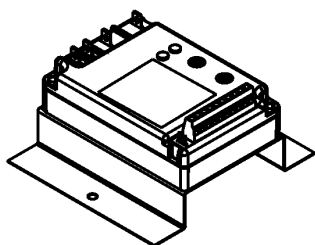
Ref. Part No:	Ref. Part No:	Description:	Description:
Image 1:			
11	PCBFM103	ELECTRONIC BLOWER TIME DELAY	Expanded Model Nomenclature M1 - DCC072XXX3V RXFAA M2 - DCC072XXX3V XDAAA M3 - DCC072XXX3V XXXAA M4 - DCC072XXX4V FXCAA M5 - DCC072XXX4V XXXAA M6 - DCC072XXX7V BXXAA M7 - DCC072XXX7V XXXAA M8 - DCC0720103V HDBAA M9 - DCC0720153V AMJAA M10 - DCC0720153V HDXAA M11 - DCC0720153V WDFAA M12 - DCC0720153V WXXAA M13 - DCC0720154V HDAAA M14 - DCC0720154V XDZAA M15 - DCC0720203V WBEAA M16 - DCC0720207V HDXAA
21	0130M00594	TRANSFORMER (M2, M3, M8, M9, M10, M11, M12, M15)	
21	0130M00138	TRANSFORMER 208/230, 24V (M1)	
21	0130M00595	TRANSFORMER, 75VA, 480V TO 24V (M4, M5, M13, M14)	
21	0130M00598	TRANSFORMER, 75VA, 575V TO 24V (M6, M7,	
31	CONT3P025024V	CONTACTOR 25 AMP, 3P, 24V (M4, M5, M6, M7, M13, M14, M16)	
31	CONT3P030024V	CONTACTOR 30 AMP, 3P, 24V (M1, M2, M3, M8, M9, M10, M11, M12, M15)	
41	CAP050000440LA	CAPACITOR (M6, M7, M16)	
41	CAP100000370LA	CAPACITOR 10/370V (M1, M2, M3, M4, M5, M8, M9, M10, M11, M12, M13, M14, M15)	
51	0130M00240	TERMINAL BOARD	
461	10135604	RELAY (QTY 2)	
501	PCBCG103	PCB, CONTROL, HP, GAS, AC (M1, M4, M6)	
551	0130M00274	TERMINAL BOARD (M1, M4, M6)	
561	0130M00275	TERMINAL BOARD (M1, M4, M6)	
591	0259L00368	CURRENT SWITCH WITH TERMS (M1, M4, M6)	
611	0130L00108	OD Air Temp Sensor (M1, M4, M6)	
621	802007090	TERM BOARD	
NS	B821700	CAPACITOR BOOT (M1, M4, M6)	
NS	20520901	CAPACITOR STRAP	
NS	0121L01468	CONTROL, PH MON BOX (M9, M15)	
NS	0121L01467	CONTROL, PH MON LID (M9, M15)	
NS	0130L00112	Duct Temp Sensor (M1, M4, M6)	
NS	0259L00354	HARN, CNTL, AC/HP SUB ASSY A1	
NS	0259L00360	HARN, CNTL, AC/HP SUB ASSY B2	
NS	0259L00362	HARN, CNTL, AC/HP SUB ASSY C0	
NS	0259L00363	HARN, CNTL, AC/HP SUB ASSY D0	
NS	0259L00325	HARN, CNTL, COOL SUB ASSY A4	
NS	0259L00326	HARN, CNTL, COOL SUB ASSY A5	
NS	0259L00327	HARN, CNTL, COOL SUB ASSY D1	
NS	0259L00235	HARN, IGN, SUB-ASSY 5	
NS	0259L00320	HARN, PWR, CM 230V ADAPTER (M1, M2, M3, M8, M9, M10, M11, M12, M15)	
NS	0259L00321	HARNESS, BELT DRIVE 2 SP MOTOR	
NS	0259L00321	HARNESS, BELT DRIVE 2 SP MOTOR	
NS	0259L00324	HARNESS, CONTROL, COOL	
NS	0259L00324	HARNESS, CONTROL, COOL	
NS	0259L00335	HARNESS, POWER, 2 SPD EM	
NS	0259L00335	HARNESS, POWER, 2 SPD EM	
NS	0259L00092	HARNESS-SMOKE DETECTOR SENSOR (M9, M14)	
NS	0130L00105	PHASE MONITOR (M9, M15)	
NS	0130L00107	ROOM SENSOR (M1, M4, M6)	
NS	0259L00428	WIRE ASSY (M9, M15)	
NS	0259L00447	WIRE ASSY (M9, M15)	
NS	0259L00070	WIRE HARNESS (M11)	
NS	0259L00090	WIRE HARNESS-SMOKE DETECTOR (M9, M14, M15)	
NS	0259L00054	WIRING HARNESS (M1, M4, M6)	

Accessory Parts List

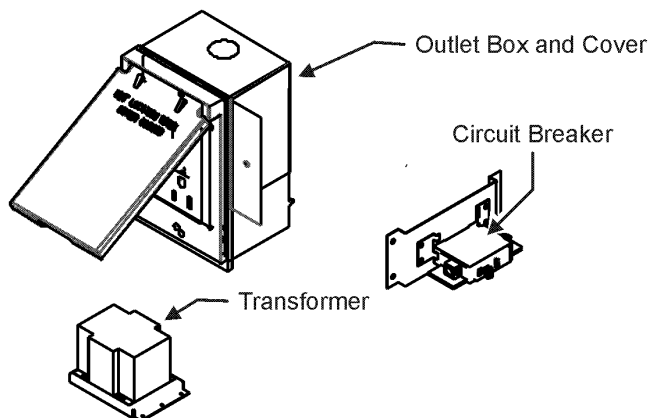
ACCESSORY PARTS LIST

NOTE: NOT ALL OPTIONS AVAILABLE FOR ALL PRODUCTS

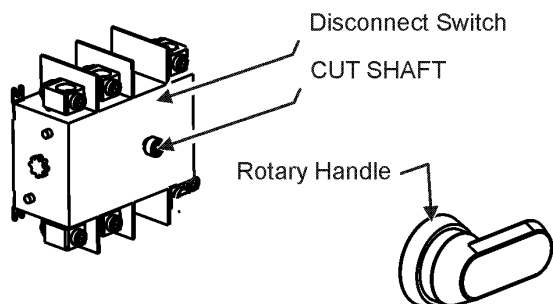
1 LOW AMBIENT KITS



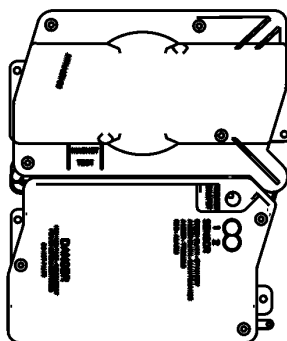
2 GFCI CONVENIENCE OUTLET



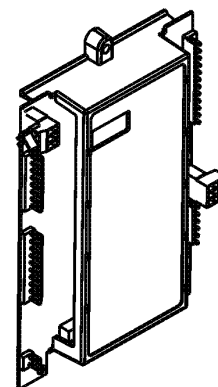
3 DISCONNECT MODULE (NON-FUSED)



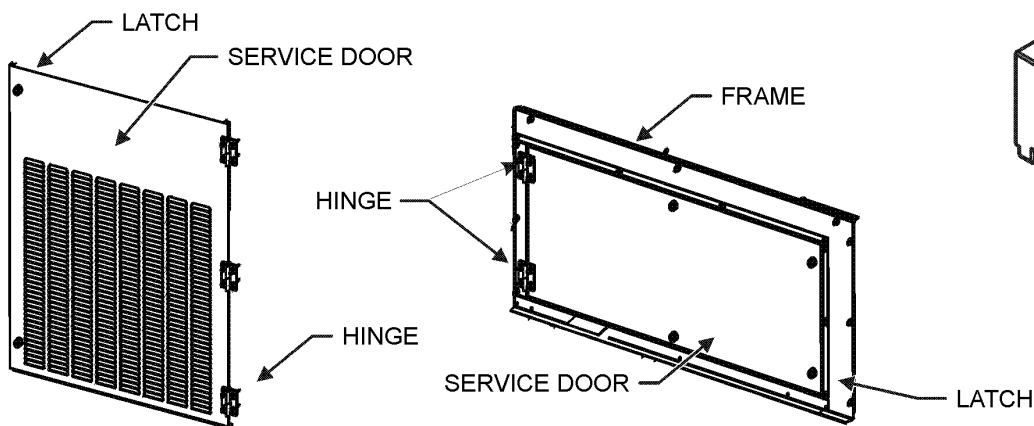
4 SMOKE DETECTORS



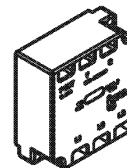
5 DDC CONTROL



6 HINGED DOOR ASSEMBLIES



7 PHASE MONITOR



Accessory Parts List

Ref. Part No:	Description:	Ref. Part No:	Description:
Image 1:		Expanded Model Nomenclature	
NS EHK3-10	10 KW 203-230/3 ELECTRIC EHAT (M8)	M1 - DCC072XXX3V RXFAA	
NS EHK3-15	15 KW 208-230/3 ELECTRIC HEAT (M9, M10, M11, M12)	M2 - DCC072XXX3V XDXAA	
NS EHK4-15	15 KW 460/3 (M13, M14)	M3 - DCC072XXX3V XXXAA	
NS EHK3-20	20 KW 208-230/3 ELECTRIC HEAT (M15)	M4 - DCC072XXX4V FXCAA	
NS DDNECNJ3672C	3-6 TON DFLOW ECONOMIZER (M11, M12, M15)	M5 - DCC072XXX4V XXXAA	
NS 10366D09C	3-6 TON DFLOW ECONOMIZER, DDC (M1, M4)	M6 - DCC072XXX7V BXXAA	
NS 0121L01934	BRACKET SMOKE DETECTOR (M9, M14, M15)	M7 - DCC072XXX7V XXXAA	
NS 0121L00316	BRACKET-CONV OUTLET MOUNT (M1, M8, M9, M11, M13)	M8 - DCC0720103V HDBAA	
NS 0121L00835	BRACKET-DISCONNECT SWITCH (M1, M12, M15)	M9 - DCC0720153V AMJAA	
NS 0130M00065	CIRCUIT BREAKER, CONVENIENCE OUTLET (M8)	M10 - DCC0720153V HDXAA	
NS 0121L00837NG	DISCONNECT COVER (M1, M8, M10, M11, M12, M13, M15, M16)	M11 - DCC0720153V WDFAA	
NS 0130L00012	GANG BOX-GFCI OUTLET (M1, M8, M9, M11, M13)	M12 - DCC0720153V WXXAA	
NS 0130L00039	HANDLE, ROTARY (M1, M8, M10, M11, M12, M13, M15, M16)	M13 - DCC0720154V HDAAA	
NS 0163M00307	HINGE, LEFT HAND (M2, M8, M9, M10, M11, M13, M14, M16)	M14 - DCC0720154V XDZAA	
NS 0163M00308	HINGE, RIGHT HAND (M2, M8, M9, M10, M11, M13, M14, M16)	M15 - DCC0720203V WBEEA	
NS 0163M00360	LATCH (M2, M8, M9, M10, M11, M13, M14, M16)	M16 - DCC0720207V HDXAA	
NS 0130M00058	LOW AMBIENT KIT (M1, M4, M11)		
NS 0121L02510NG	PNT, BLOWER DOOR FRAME (M2, M8, M9, M10, M11, M13, M14, M16)		
NS 0161G00012	POWER OUTLET BOX (M1, M8, M9, M11, M13)		
NS 0130L00103	RECEPTACLE-GFCI OUTLET (M1, M8, M9, M11, M13)		
NS 0121L02529NG	SERVICE DOOR BACK, BLOWER (M2, M8, M9, M10, M11, M13, M14, M16)		
NS 0121L02528NG	SERVICE DOOR FRONT, BLOWER (M2, M8, M9, M10, M11, M13, M14, M16)		
NS 0130L00042	SHAFT, CUT (M8, M10, M11, M13, M16)		
NS 0130L00049	SHAFT, DISCONNECT (M1, M12, M15)		
NS D4120	SMOKE DETECTOR, PHOTO 4WIRE (M9, M14, M15)		
NS D4S	SMOKE DETECTOR, SENSOR ONLY (M9, M14)		
NS 0130L00027	SWITCH-DISCONNECT 100A (M1, M12, M15)		
NS 0130L00046	SWITCH-DISCONNECT 60A (M8, M10, M11, M13, M16)		
NS 0130M00061	TRANSFORMER, CONVENIENCE OUTLET (M8)		